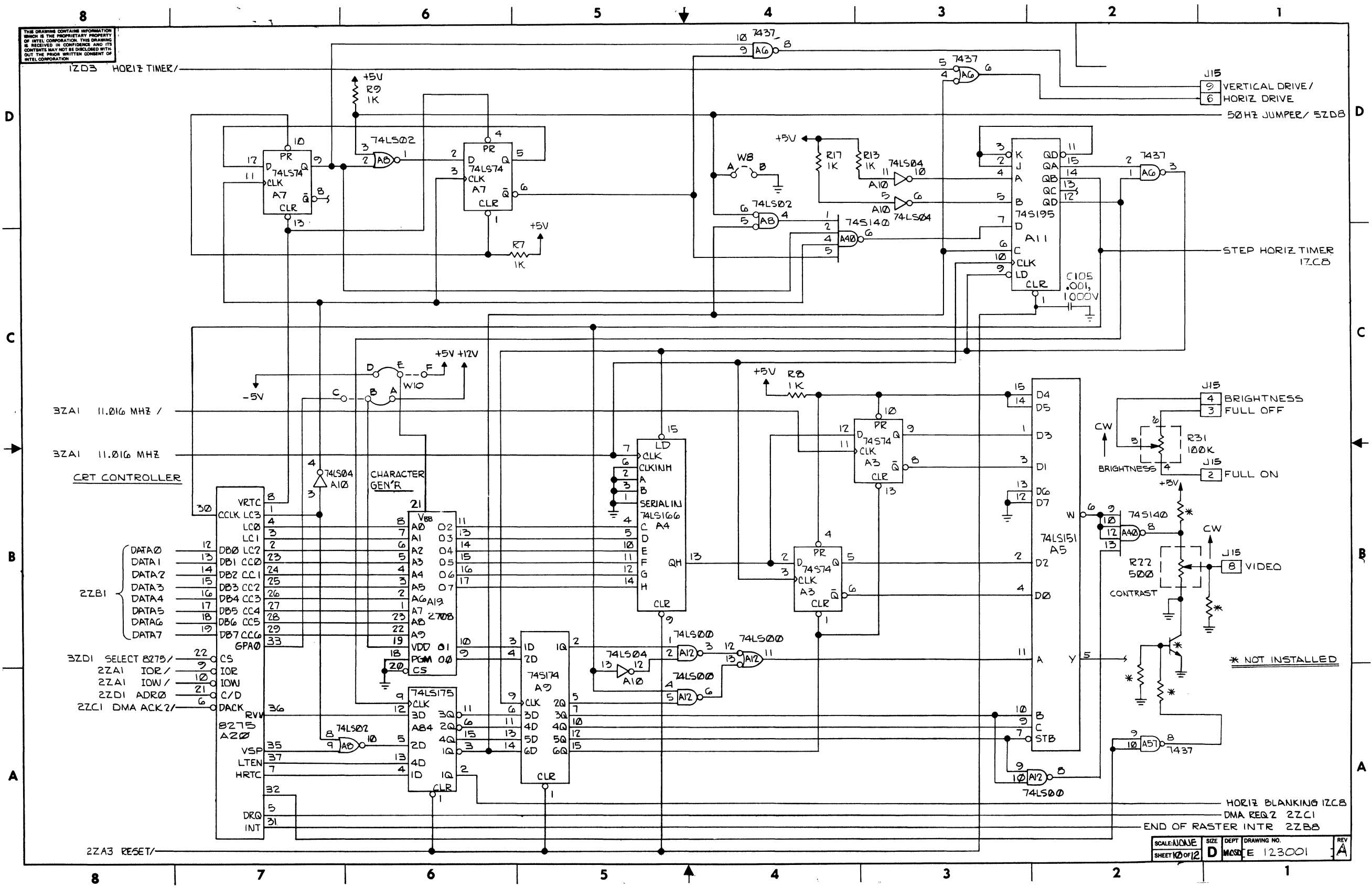


THIS DRAWING CONTAINS INFORMATION WHICH IS THE PROPRIETARY PROPERTY OF INTEL CORPORATION. THIS DRAWING IS RECEIVED IN CONFIDENCE AND ITS CONTENTS MAY NOT BE DISCLOSED WITHOUT THE PRIOR WRITTEN CONSENT OF INTEL CORPORATION.



D
C
B
A

1ZD3 HORIZ TIMER/

3ZA1 11.016 MHz /

3ZA1 11.016 MHz

CRT CONTROLLER

2ZB1
DATA0
DATA1
DATA2
DATA3
DATA4
DATA5
DATA6
DATA7

3ZD1 SELECT 8275/
2ZA1 IOR/
2ZA1 IOW/
2ZD1 ADDR0/
2ZC1 DMA ACK2/

2ZA3 RESET/

J15
VERTICAL DRIVE/
HORIZ DRIVE
50HZ JUMPER/ 5ZD8

STEP HORIZ TIMER
1ZCB

J15
BRIGHTNESS
FULL OFF
FULL ON

J15
VIDEO
CONTRAST

* NOT INSTALLED

HORIZ BLANKING 1ZCB
DMA REQ2 2ZC1
END OF RASTER INTR 2ZB8

8 7 6 5 4 3 2 1