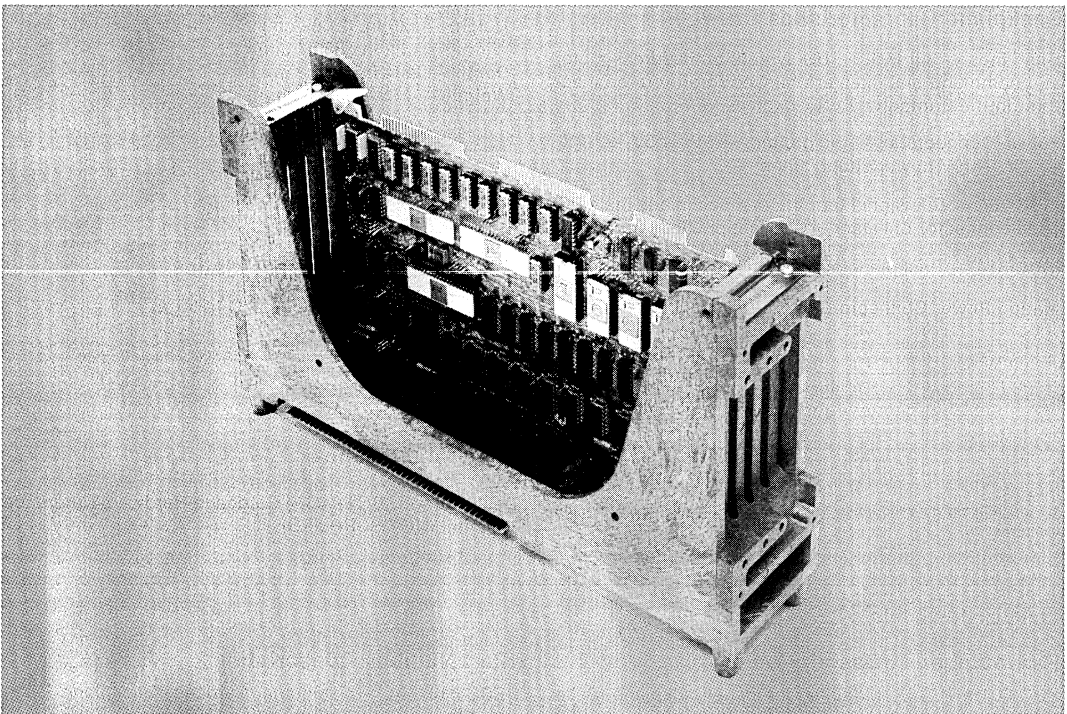




iSBC 604/614 or (pSBC 604/614*) MODULAR CARD CAGE/BACKPLANE

- Interconnection on MULTIBUS system bus and housing for up to four Intel iSBC boards
- Strong cardcage structure helps protect installed iSBC single board computers and expansion boards against warping and physical damage
- Connectors allow interconnection of two or more cardcage/backplane assemblies
- Cardcage mounting holes facilitate interconnection of units
- Compatible with 3.5-inch RETMA rack mount increments
- Dual backplane power supply connectors and signal line termination circuits on iSBC 604 Cardcage/Backplane

The iSBC 604 and iSBC 614 Modular Cardcage/Backplane units provide low-cost, off-the-shelf housing for OEM products using two or more Intel single board computers. Each unit interconnects and houses up to four boards. The base unit, the iSBC 604 Cardcage/Backplane, contains a male backplane PC edge connector and bus signal termination circuits, plus power supply connectors. It is suitable for applications requiring a single unit, or may be interconnected with the iSBC 614 Cardcage/Backplane when more than one cardcage/backplane unit is needed. The iSBC 614 Cardcage/Backplane contains both male and female backplane connectors, and may be interconnected with iSBC 604/614 Cardcage/Backplane units. Both units are identical, with the exception of the power connectors and bus signal terminator features. A single unit may be packaged in a 3.5-inch RETMA rack enclosure, and two interconnected units may be packaged in a 7-inch enclosure. The units are mountable in any of three planes.



ISBC 604/614

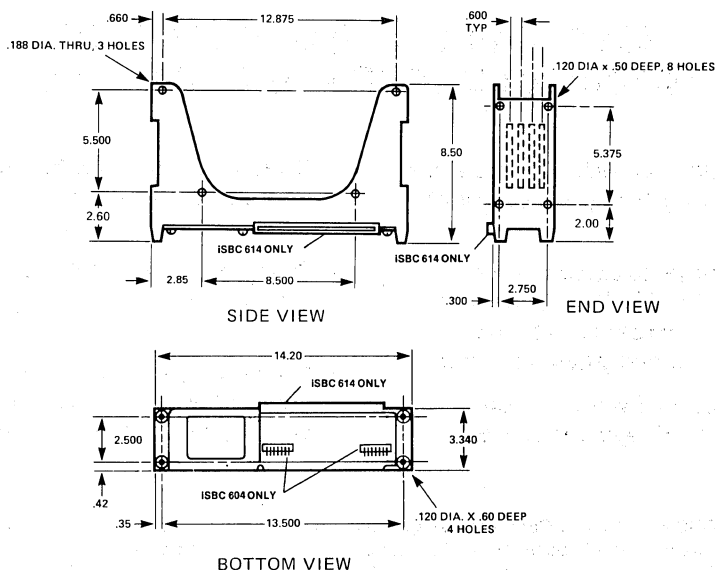


Figure 1. ISBC 604/614 Modular Backplane and Cardcage Dimensions

SPECIFICATIONS

Backplane Characteristics

Bus Lines — All MULTIBUS system bus address, data, and command bus lines are bussed to all four connectors on the printed circuit backplane

Power Connectors — for ground, +5V, -5V, +12V, -12V, -10V power supply lines

ISBC 604 — Bus signal terminators, backplane male PC edge connector only, and power supply headers

ISBC 614 — Backplane male and female connectors

Mating Power Connectors

AMP	Connector	87159-7
	Pin	87023-1
	Polarizing key	87116-2
Molex	Connector	09-50-7071
	Pin	08-50-0106
	Polarizing key	15-04-0219

Note

1. Pins from a given vendor may only be used with connectors from the same vendor.

Physical Dimensions

Height — 8.5 in. (21.59 cm)
Width — 14.2 in. (36.07 cm)
Depth — 3.34 in. (8.48 cm)
Weight — 35 oz (992.23 gm)

Environmental Characteristics

Operating Temperature — 0°C to 55°C

Reference Manual

9800708 — ISBC 604/614 Cardcage Hardware Reference Manual (NOT SUPPLIED)

ORDERING INFORMATION

Part number	Description
SBC 604	Modular Cardcage/Backplane (Base Unit)

Part Number	Description
SBC 614	Modular Cardcage/Backplane (Expansion Unit)