



AP-726

**APPLICATION
NOTE**

**Interfacing the
i960[®] Jx Microprocessor to the
NEC μ PD98401* Local ATM
Segmentation and Reassembly
(SAR) Chip**

Rick Harris
SPG 80960 Applications Engineer

Intel Corporation
Semiconductor Products Group
Mail Stop CH6-311
5000 W. Chandler Blvd.
Chandler, Arizona 85226

September, 21, 1995

Order Number: 272779-001





AP-726

**APPLICATION
NOTE**

**Interfacing the
i960[®] Jx Microprocessor to the
NEC μ PD98401* Local ATM
Segmentation and Reassembly
(SAR) Chip**

Rick Harris
SPG 80960 Applications Engineer

Intel Corporation
Semiconductor Products Group
Mail Stop CH6-311
5000 W. Chandler Blvd.
Chandler, Arizona 85226

September, 21, 1995

Order Number: 272779-001



Information in this document is provided solely to enable use of Intel products. Intel assumes no liability whatsoever, including infringement of any patent or copyright, for sale and use of Intel products except as provided in Intel's Terms and Conditions of Sale for such products.

Intel Corporation makes no warranty for the use of its products and assumes no responsibility for any errors which may appear in this document nor does it make a commitment to update the information contained herein.

Intel retains the right to make changes to these specifications at any time, without notice.

Contact your local Intel sales office or your distributor to obtain the latest specifications before placing your product order.

MDS is an ordering code only and is not used as a product name or trademark of Intel Corporation.

Intel Corporation and Intel's FASTPATH are not affiliated with Kinetics, a division of Excelan, Inc. or its FASTPATH trademark or products.

*Other brands and names are the property of their respective owners.

Additional copies of this document or other Intel literature may be obtained from:

Intel Corporation
Literature Sales
P.O. Box 7641
Mt. Prospect, IL 60056-7641

or call 1-800-879-4683

© INTEL CORPORATION 1995

1.0	INTRODUCTION.....	1
1.1	Design Goals.....	1
1.2	Overview.....	1
1.3	Page Mode DRAM SIMM	2
1.4	DRAM Refresh	2
1.5	Burst Capabilities for a 32-bit Bus	2
1.6	Bank Interleaving.....	2
1.7	i960 Jx Processor Address Mapping.....	3
2.0	CIRCUIT DESCRIPTION	3
2.1	Clock Generation.....	3
2.2	System Address Latches.....	3
2.3	DRAM Controller	5
2.3.1	Control Logic	5
2.3.2	Address Flow Logic	5
2.3.3	Data Flow Logic	6
2.3.4	State Machines and Signals	6
2.3.4.1	DRAM Control State Machine	6
2.3.4.2	SELDRAM Signal	6
2.3.4.3	REFPEND Signal	6
2.3.4.4	MEMPEND Signal	8
2.3.4.5	MUX Signal	8
2.3.4.6	CASEN Signal	9
2.3.4.7	INCBANK and BANKSEL Signals	9
2.3.4.8	CASA[3:0] and CASB[3:0] Signals	9
2.3.4.9	MA0B and MA0A Signals	9
2.3.4.10	RDYEN Signal	9
2.3.4.11	READY Signal	9
2.3.4.12	DWE Signal	9
2.4	SAR slave controller.....	10
2.4.1	Control Logic	10
2.4.2	Address Flow Logic	10
2.4.3	Data Flow Logic	10
2.4.4	State Machine and Signals	10
2.4.4.1	SELC Signal	11
2.4.4.2	SELSQ0 Signal	11
2.4.4.3	SAR Access State Machine	11
2.4.4.4	READYn Signal	11
2.4.4.5	READYpinn Signal	11
2.4.4.6	RDYENn Signal	11
2.4.4.7	SARSELn Signal	11
2.4.4.8	SARASELn Signal	11



2.4.4.9	$\overline{\text{SARSWRn}}$ Signal	11
2.4.4.10	$\overline{\text{AOEABn}}$ Signal	11
2.4.4.11	$\overline{\text{DOEABn}}$ Signal	11
2.4.4.12	$\overline{\text{DOEBAn}}$ Signal	12
3.0	DRAM CONTROLLER ACCESS FLOW	12
3.1	Single Word Read and Write Access	12
3.2	Quad Word Read Access	14
3.3	Quad Word Write Access	14
3.4	$\overline{\text{CAS}}$ before $\overline{\text{RAS}}$ Refresh	17
4.0	SAR SLAVE ACCESS FLOW	17
4.1	Single Word Read and Write Access	17
5.0	CONCLUSION	20
6.0	RELATED INFORMATION	20
APPENDIX A		
PLDshell FILES		
APPENDIX B		
PLD EQUATIONS		
INDEX		



FIGURES

Figure 1.	Quad-Word Write Request with 2,1,1,1 Wait State Profile.....	2
Figure 2.	Two-Way Interleaving	3
Figure 3.	80960Jx Interface Memory Map.....	3
Figure 4.	i960@Jx Processor to DRAM / NEC μ PD98401 SAR Bus Interface	4
Figure 5.	System Address Latches	5
Figure 6.	DRAM Address Flow Logic	5
Figure 7.	DRAM Control State Machine	7
Figure 8.	Simplified DRAM State Machine.....	8
Figure 9.	SAR Address and Data Buffers.....	10
Figure 10.	80960Jx to SAR Access State Machine.....	11
Figure 11.	80960Jx to DRAM 1 Wait State Single Word Read and Write Timing Diagram ...	13
Figure 12.	80960Jx to DRAM 1,0,0,0 Quad Word Read Timing	15
Figure 13.	80960Jx to DRAM 1,1,1,1 Quad Word Write Timing Diagram.....	16
Figure 14.	$\overline{\text{CAS}}$ -Before- $\overline{\text{RAS}}$ Refresh Cycle.....	17
Figure 15.	80960Jx to μ PD98401 Single Word Read and Write Timing Diagram.....	19

TABLES

Table 1.	Related Information	20
Table A-1.	DRAM Controller EPX780 PLDshell File.....	1
Table A-2.	DRAM Controller PAL20V8 PLDshell.File.....	13
Table B-1.	SAR Controller MACH210, MACHXL File	1



1.0 INTRODUCTION

This application note describes the interface between Intel's i960[®] JA/JF/JD microprocessors (referred to herein as the "i960 Jx processor") and NEC's μ PD98401[®] Local ATM Segmentation And Reassembly (SAR) Chip, with 2 Mbytes of DRAM available to the i960 Jx processor. The interface provides for single and burst reads/writes to the DRAM and single reads and writes to the SAR chip, using the i960 Jx processor configured with a 32-bit bus. The interface is controlled by a DRAM controller and a SAR controller.

The DRAM interface features include:

- 32 bit wide bus, allowing 16 and 8 bit accesses
- Two-way interleaving
- 72 pin, 60 ns, 256 Kbyte x 32 bit Fast Page Mode DRAM SIMMs
- 1-0-0-0 wait state burst reads at 25 MHz
- 1-1-1-1 wait state burst writes at 25 MHz

The μ PD98401 SAR chip interface features three wait state 32 bit reads and writes.

This document discusses DRAM controller theory with interleaving, and a basic slave read/write controller to the SAR. It also describes the supporting state machines, timing diagrams, and PLD equations. The μ PD98401 can operate as a master device, which allows it access to DRAM. However, when the SAR is a master device, it can only request and obtain the i960 Jx processor bus, through the use of the processor's bus arbitration facilities. In this case, upon receiving HOLD from the SAR controller, the processor asserts HOLDA and three-states its signals, which grants bus control to the SAR.

1.1 Design Goals

The goal of this document is to provide a design aid for interfacing an i960 Jx processor to an NEC μ PD98401 ATM SAR Chip. The application note defines an interface that was developed and tested on a i960 Jx processor-compliant platform, and can be plugged into a PCI expansion slot.

The platform used is the Intel Cyclone i960[®] Microprocessor PCI-SDK Evaluation Platform (referred to herein as the "PCI-SDK"), with an ATM Squall module and a i960 Jx processor CPU module.

Benefits of using the PCI-SDK include:

- The PCI-SDK plugs directly into a DOS-based system's PCI slot.
- While the user is working on their hardware design, code (software) for the design can be written concurrently, which saves development time.
- The design can be implemented on the PCI-SDK through a Squall module, which enhances testability.

1.2 Overview

The PCI-SDK consists of a base board with connectors which accept "modules" (daughter boards) for a CPU module and a Squall module. Many CPU and Squall modules are available; refer to Section 6.0, RELATED INFORMATION (pg. 6-20) for access to additional product information.

- The CPU modules are interchangeable daughter boards for Intel's family of i960 processors.
- The Squall modules are interchangeable daughter boards. Users can use these to design custom applications, or use one of PCI-SDK's existing modules, such as an Ethernet Squall II* module.

The PCI-SDK base board features include:

- Two SIMM sockets which support 2, 8, or 32 Mbytes of DRAM
- One Flash ROM socket
- Three 16-bit counter/timers or one 32-bit and one 16-bit counter
- DIP switch-selectable CPU clock frequency, for operation from 16 MHz to 50 MHz
- DRAM controller which automatically optimizes wait states to CPU frequency and memory speed
- One RS-232 serial port
- One Centronics compatible parallel download port
- PCI Bus Interface

The configuration used for development of this application note is:

<i>CPU Module:</i>	i960 Jx processor
<i>CPU Bus Frequency:</i>	25 MHz
<i>DRAM:</i>	2 banks of SIMMs: 60 ns, 2 Mbyte
<i>Squall Module:</i>	NEC μ PD98401 [®] - based ATM module

The chosen configuration simplifies the state machine for the DRAM controller (compare Figures 7 and 8).

1.3 Page Mode DRAM SIMM

Page mode DRAM allows faster memory access by keeping the same row address while selecting random column addresses within that row. A new column address is selected by deasserting $\overline{\text{CAS}}$ while keeping $\overline{\text{RAS}}$ active, then asserting $\overline{\text{CAS}}$ with the new column address valid to the DRAM. Page mode operation works very well with burst buses, such as the i960 Jx processor bus, in which a single address cycle can be followed by up to four data cycles.

The DRAM SIMM has four $\overline{\text{CAS}}$ lines, one for each of eight (nine) bits in a 32-bit (36-bit) SIMM module. The four $\overline{\text{CAS}}$ lines control the writing to individual bytes within each SIMM.

1.4 DRAM Refresh

To maintain their data, the DRAM must be refreshed every 16 μs . This is achieved by a 6-bit refresh counter embedded in the DRAM controller, driven by a 4 MHz clock. The 4 MHz clock is created by dividing a 16 MHz clock in half, twice. This corresponds to a refresh every 64 cycles of the 4 MHz clock, or approximately 400 cycles of the 25 MHz clock. The type refresh used is $\overline{\text{CAS}}$ before $\overline{\text{RAS}}$ ($\overline{\text{CAS}}$ signal asserted before the $\overline{\text{RAS}}$ signal) for specified lengths of time. Both banks of DRAM are refreshed at the same time.

1.5 Burst Capabilities for a 32-bit Bus

The i960 Jx processor can access up to four data words per request. A request starts when the processor asserts $\overline{\text{ADS}}$ in the address cycle and ends when the processor asserts $\overline{\text{BLAST}}$ in the last data cycle. Figure 1 shows $\overline{\text{ADS}}$ and $\overline{\text{BLAST}}$ timings for a quad-word write request.

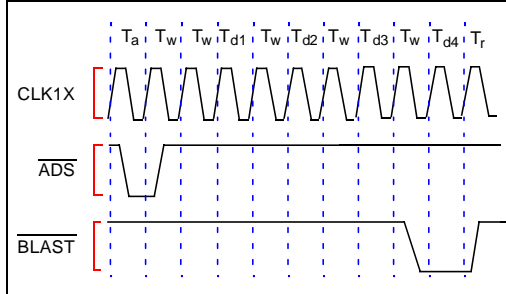


Figure 1. Quad-Word Write Request with 2,1,1,1 Wait State Profile

The processor's burst capabilities on a 32-bit bus include:

- Quad-word and triple-word requests start on quad-word boundaries ($A3 = 0, A2 = 0$).
- Double-word requests start on double-word boundaries ($A3 = X, A2 = 0$).
- Single-word requests can start on any word boundary ($A3 = X, A2 = X$).
- Any request starting on an odd word boundary never bursts ($A3 = X, A2 = 1$).

1.6 Bank Interleaving

Bank interleaving allows the second, third and fourth accesses of a burst read to occur in zero wait states. The first data access must still "pay" the entire access penalty. Interleaving significantly improves memory system performance by overlapping accesses to consecutive addresses. Two-way interleaving is accomplished by dividing the memory into two 32-bit banks (also referred to as "leaves"):

- one bank for even word addresses ($A2=0$)
- one bank for odd word addresses ($A2=1$)

The two banks are read in parallel and the data from the two banks is multiplexed into the processor's data bus. Multiplexing is implemented via $\overline{\text{CASAx}}$ and $\overline{\text{CASBx}}$. $\overline{\text{CAS}}$ signals, in addition to being the Column Address Strobes, are also output enable signals for the DRAM.

Figure 2 shows DRAM with a 2-1-1-1 quad word burst read wait state profile interleaved to generate a 2-0-0-0 wait state system.



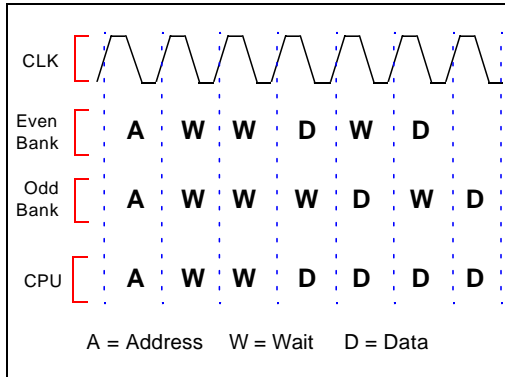


Figure 2. Two-Way Interleaving

1.7 i960 Jx Processor Address Mapping

Figure 3 portrays the memory map for the i960 Jx processor to SAR interface. The DRAM beginning location is set at A0000000H and the SAR beginning location is set at C0000000H. When configuring the processor's memory regions using the PMCON registers, make sure regions PMCON10_11 and PMCON12_13 are set for 32 bit wide bus accesses.

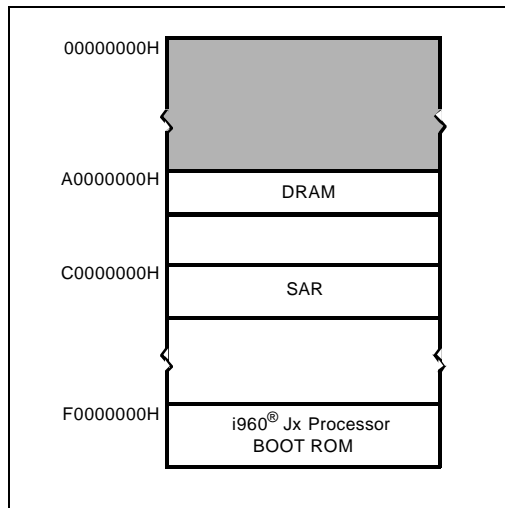


Figure 3. 80960Jx Interface Memory Map

2.0 CIRCUIT DESCRIPTION

Figure 4 shows a block diagram of the i960 Jx processor, interfaced to DRAM and the SAR. It can be separated into four logical blocks: clock generation, address latches, DRAM controller, and SAR slave controller. These blocks are described in the following subsections.

2.1 Clock Generation

The 25 MHz CPU clock, based on the $FREQ[2:0]$ frequency switches, is generated from an AV9155-01. The AV9155-01 feeds the 25 MHz clock into a CY7BB991-7 with an internal PLL. Also, the AV9155-01 directly generates the 16 MHz clock that is later divided down to 4 MHz, used for DRAM refresh generation.

Clock distribution is performed by the CY7BB991-7. Separate output clocks from this device are distributed back to the CPU module, Squall II Module, and on-board logic. This device guarantees a maximum skew of ± 250 ps between outputs, and ± 500 ps between the inputs and outputs. Therefore, all clocks on the board are within ± 1 ns, making the design work very straightforward. All clock signals are terminated with 22 ohm series resistors.

2.2 System Address Latches

The i960 Jx processor has a multiplexed bus; therefore, address latches are needed to demultiplex the bus for use in accessing the DRAM. The latches, shown in Figure 5, capture the upper 28 address bits of the bus during the processor's address cycle, then holds them until the access is over. ALE provides the signal for latching, and HOLDA controls the output enables of the latches. HOLDA isolates the address latches from the system bus when the SAR uses the bus as a master device. As a master device, the SAR requests the bus with HOLD; the processor grants the bus with HOLDA. When HOLDA is high, the outputs to the latches are three-stated.

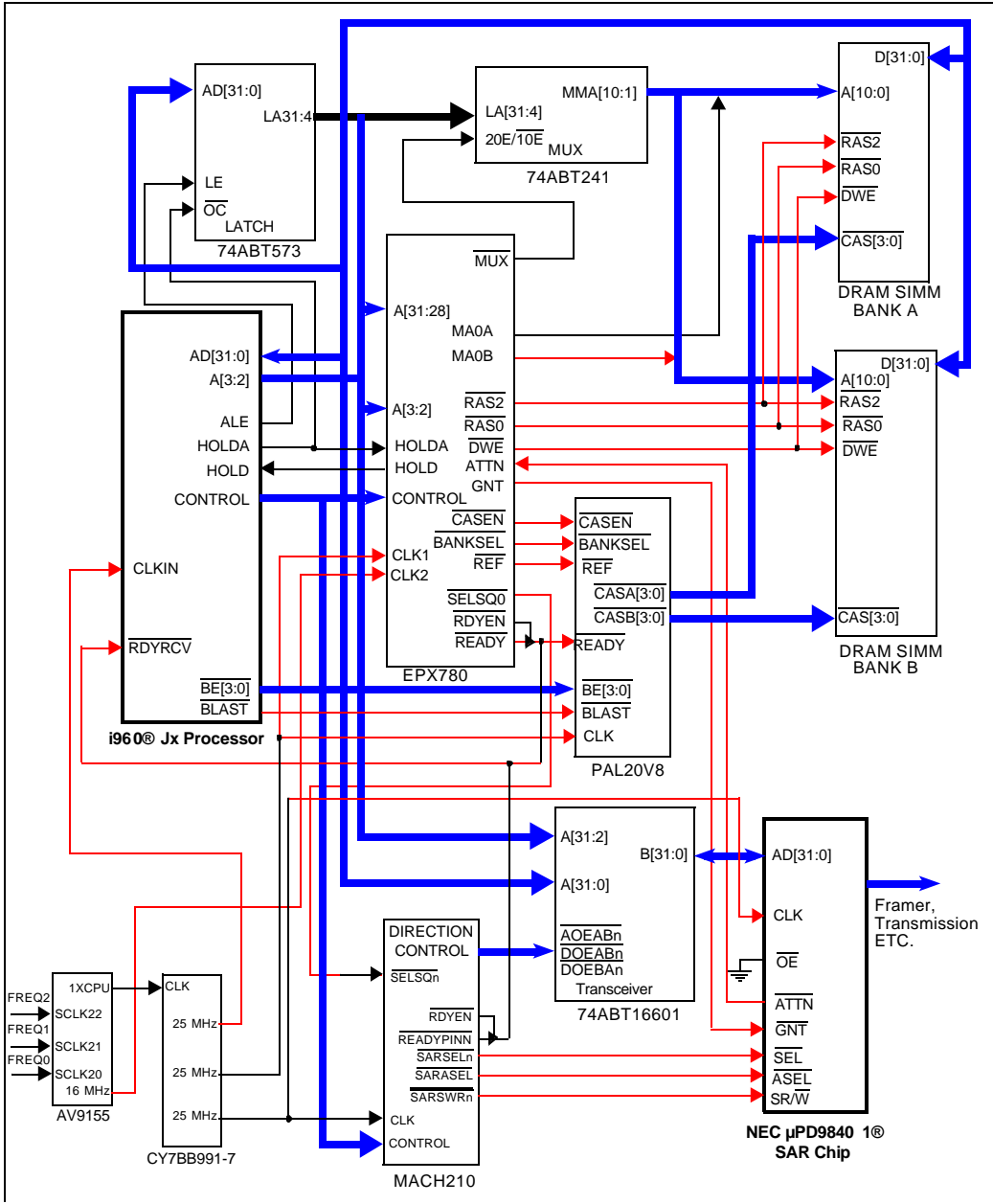


Figure 4. i960[®] Jx Processor to DRAM / NEC μPD98401 SAR Bus Interface

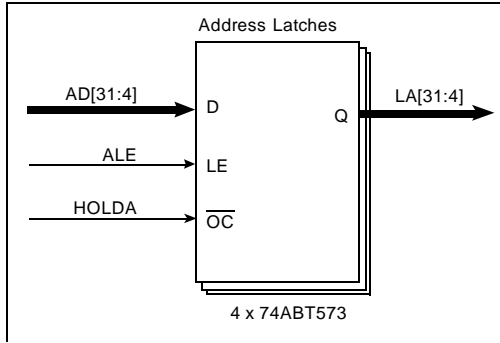


Figure 5. System Address Latches

2.3 DRAM Controller

The DRAM controller can be separated into four sections: control logic, address flow logic, data flow logic, and DRAM controller state machines and signals. See Figure 4.

2.3.1 Control Logic

The control logic is implemented using an EPX780 FPGA and a 20V8 PAL. The FPGA, the main component of the DRAM controller, supplies:

- $\overline{\text{RAS}}$ lines and read/write signals directly to the DRAM
- address bits to each DRAM bank that increments the column address
- logic to control the address path to the DRAM

The 20V8 PAL, with direction from the FPGA, provides all the necessary logic to generate the $\overline{\text{CAS}}$ signals for the DRAM.

2.3.2 Address Flow Logic

Figure 6 shows the DRAM address flow logic. The address flow logic to the DRAM is controlled by three 74ABT241 octal buffers, configured as a 12-input, two-line to one-line multiplexer. The $\overline{\text{MUX}}$ select signal, which controls the multiplexing function, is supplied by the FPGA. The multiplexers divide the latched address bus into two addresses: the row address consisting of the latched address' higher order bits, and the column address consisting of the latched address' lower order bits.

Both row and column addresses are transferred to DRAM via the MMA[10:1] address bus. MA0a connects to A0 of the bank A DRAM, MA0b connects to A0 of the bank B DRAM.

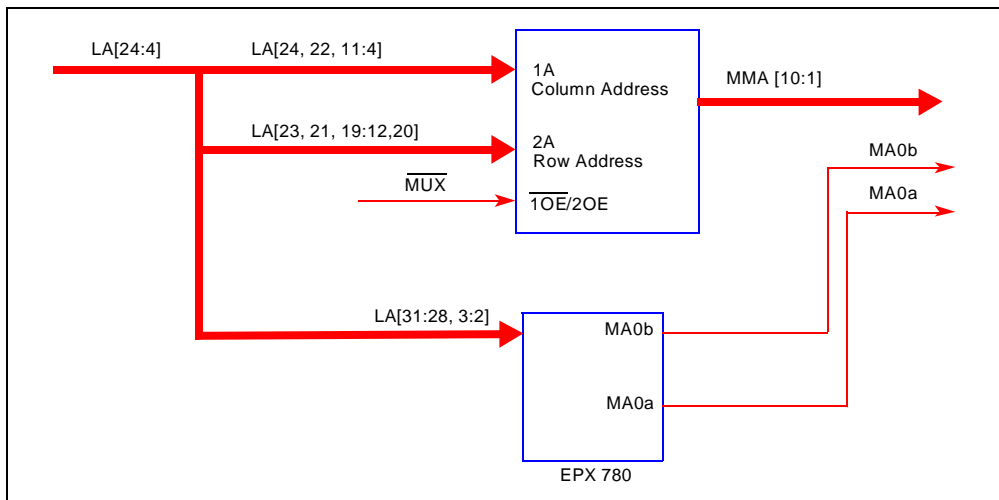


Figure 6. DRAM Address Flow Logic





2.3.3 Data Flow Logic

As indicated in Figure 4, the data path is fairly simple; it's connected directly to the DRAM from the processor, requiring no transceivers or multiplexers to control data flow between the banks. Data flow is controlled by the $\overline{\text{CAS}}$ lines. When one bank is selected ($\overline{\text{CAS}}$ lines asserted) the other bank is de-selected ($\overline{\text{CAS}}$ lines deasserted). Data is output by the DRAM during a read or accepted by the DRAM during a write by the assertion $\overline{\text{CAS}}$.

2.3.4 State Machines and Signals

Figure 7 shows the DRAM control state machine for the PCI-SDK; Figure 8 shows a simplified version. The simplified version is the result of choosing the configuration discussed in Section 1.2, Overview (pg. 1-1). For this configuration, the CPU module Frequency Switches are set to 25 MHz (Positions 1-4 should be OFF, OFF, ON, ON. This maps to a logic 1,1,0,0. Refer to Cyclone documentation for definitions).

The PD3 pin output from the DRAM SIMM, when sampled high, indicates 60 ns DRAM. With these frequency and speed settings, the signal PF0 is set high and all the other PF signals are reset low. The PCI-SDK does not use the EXTEND signal; it is tied high.

The state machine has two major paths: a refresh path and an access path. The refresh path is taken when the refresh counter indicates a refresh is needed. The access path is taken when the processor initiates an access to the address range dedicated to the DRAM.

When a conflict occurs between an access and a refresh, the refresh has priority and proceeds; a memory pending bit is set. When refresh completes, the memory pending bit causes the access to complete. The same process occurs when an access is in progress and a request for a refresh is received. A refresh pending bit is set which causes the refresh to complete when the access completes.

The DRAM state machine is developed with Intel's PLDshell Plus[®]. Appendix A, PLDshell FILES contains the code which implement the DRAM controller.

The state machine transitions described here use the following PLDshell conventions for logic operators. For all the following, refer to Figure 8.

/	Represents active-low in pin declaration; Boolean NOT elsewhere in file
*	Represents Boolean AND
+	Represents Boolean OR

2.3.4.1 DRAM Control State Machine

The DRAM control state machine, the heart of DRAM controller, resides in the FPGA. It is controlled with inputs from the processor and equations from within the controller. Its outputs are the $\overline{\text{RAS}}$ and $\overline{\text{REF}}$ signals, both are active low. The $\overline{\text{RAS}}$ signals directly drive the $\overline{\text{RAS}}$ inputs of both banks and are used to latch the row addresses into the DRAM. Two identical $\overline{\text{RAS}}$ signals distribute the load between the two banks. $\overline{\text{REF}}$ provides a bit to the $\overline{\text{REFPEND}}$ state machine, indicating a refresh has begun. This resets the $\overline{\text{REFPEND}}$ signal, so it can be set the next time a refresh is required.

The other output functions of the DRAM controller depend upon which state the DRAM control state machine is in. The following are the signals that make up the DRAM controller.

2.3.4.2 SELDRAM Signal

The active high SELDRAM signal is decoded from the latched address bits LA[31:28]. When these address bits equal A₁₆ during the processor's address cycle, SELDRAM is asserted indicating an access to the DRAM memory region.

2.3.4.3 $\overline{\text{REFPEND}}$ Signal

The active low $\overline{\text{REFPEND}}$ signal is asserted when a refresh is requested, either during the idle state or a DRAM access. Its main function is to keep track of when a refresh is required, so the controller will not skip the refresh if it is requested during an access. It is also the bit that causes the refresh to complete first, when in conflict with an access. Since the refresh counter runs at 4 MHz, and the $\overline{\text{REFPEND}}$ signal runs on the 25 MHz, the counter output and the $\overline{\text{REFPEND}}$ signal must be synchronized. The signal used for synchronization is the REFSYNC (see Table A-1 in Appendix A) signal embedded in the controller.



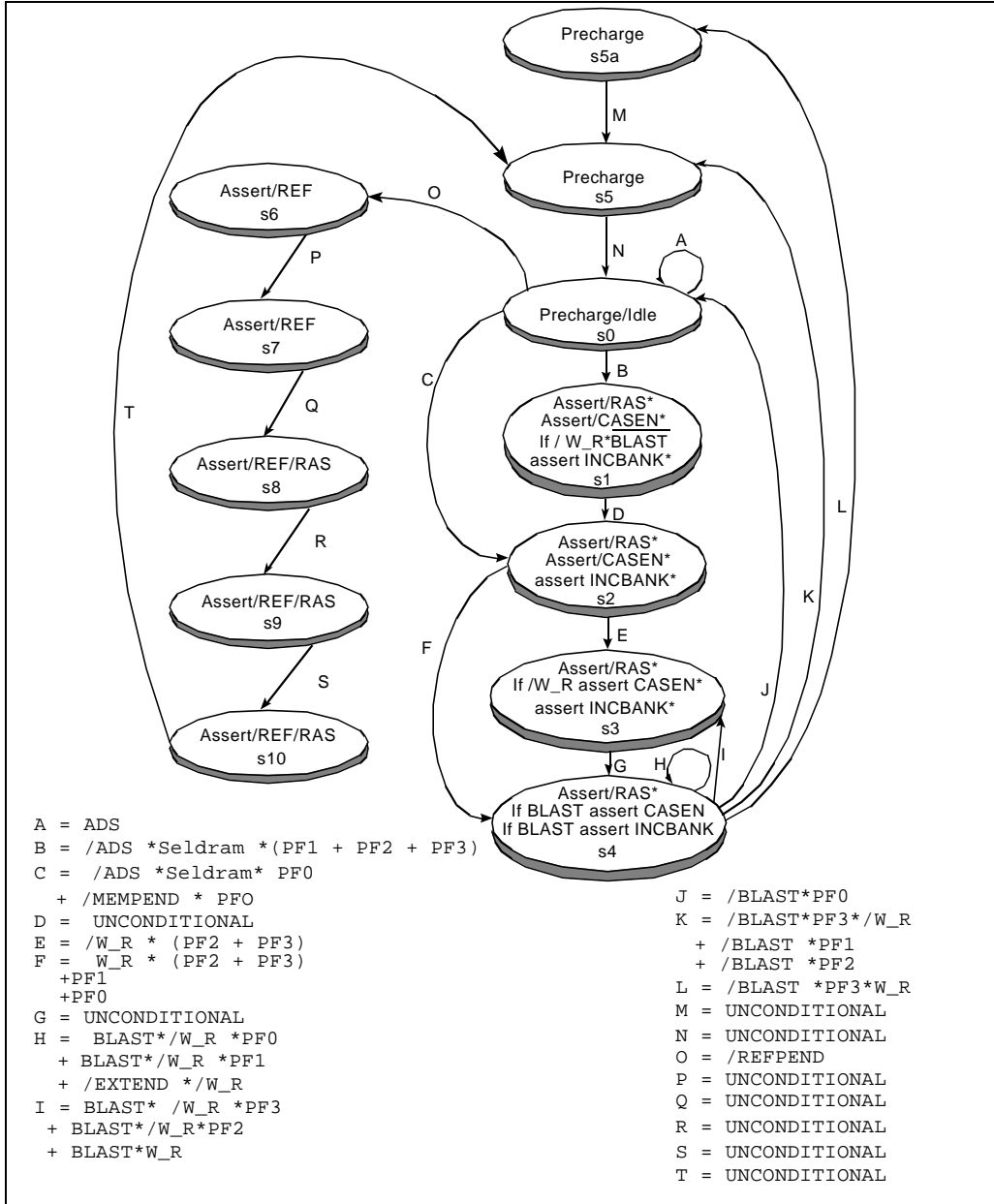


Figure 7. DRAM Control State Machine

2.3.4.6 $\overline{\text{CASEN}}$ Signal

The active low $\overline{\text{CASEN}}$ signal provides an output enable signal to the $\overline{\text{CAS}}$ state machines, located in the PAL20V8. Its function is determined by which state the DRAM Control state machine is in:

- s0: asserted during an address cycle in which one or more are true:
 - access is to the DRAM memory region
 - a refresh is not pending
 - an access is pending
- s2 and s3: $\overline{\text{CASEN}}$ is asserted when the access is a read. (Remember that PF0 is asserted, indicating the system is operating at 25 MHz with 60 ns DRAM.)
- s4: asserted during a burst read or write access EXCEPT for the last access of the burst.

2.3.4.7 $\overline{\text{INCBANK}}$ and $\overline{\text{BANKSEL}}$ Signals

The active low $\overline{\text{BANKSEL}}$ signal determines which bank will have its $\overline{\text{CAS}}$ lines driven:

- When low, selects bank A
- When high, selects bank B

The active low $\overline{\text{INCBANK}}$ signal, in conjunction with the $\overline{\text{BANKSEL}}$ signal, creates wait states by controlling the $\overline{\text{CAS}}$ lines. When asserted low at the end of a clock cycle, the $\overline{\text{CAS}}$ lines are asserted, thereby selecting each bank. The $\overline{\text{INCBANK}}$ signal operates based upon which state the DRAM Control state machine is in.

- s0: asserted during an address cycle, in which one or more are true:
 - access is to the DRAM memory region
 - a refresh is not pending
 - an access is pending
- s2: asserted if the access is a burst read, EXCEPT for the last access of the burst.
- s4: asserted during a burst read or write access, EXCEPT for the last access of the burst.

2.3.4.8 $\overline{\text{CASA}}[3:0]$ and $\overline{\text{CASB}}[3:0]$ Signals

The active low $\overline{\text{CASA}}$ and $\overline{\text{CASB}}$ signals connect to the $\overline{\text{CAS}}$ pins of DRAM banks A and B respectively. They are enabled by the $\overline{\text{CASEN}}$ and $\overline{\text{BANKSEL}}$ signals. With $\overline{\text{BANKSEL}}$ low bank A is selected, with $\overline{\text{BANKSEL}}$ high

bank B is selected. These signals serve two purposes: to latch the column addresses into the DRAM, and to provide chip selects for each bank. $\overline{\text{CASA}}3$ and $\overline{\text{CASB}}3$ enables the most significant byte, and $\overline{\text{CASA}}0$ and $\overline{\text{CASB}}0$ enable least significant byte. The byte enables, $\overline{\text{BE}}[3:0]$ control which byte(s) to be transferred within each bank, allowing 8 and 16 bit wide data transfers. $\overline{\text{BE}}[3:0]$ controls bytes 3-0 respectively.

2.3.4.9 MA0B and MA0A Signals

MA0B and MA0A are the least significant column address bits that increment the address to DRAM banks B and A respectively, during a burst access. They are decoded from address bits A3 and A2 of the processor's bus, which increment during a burst.

2.3.4.10 $\overline{\text{RDYEN}}$ Signal

The active low $\overline{\text{RDYEN}}$ signal enables the three-state buffer that controls the $\overline{\text{READY}}$ signal. Since the system has two controllers on it, i.e. a DRAM controller and a SAR controller, the $\overline{\text{READY}}$ signal of the DRAM controller has to be three-stated when the SAR controller drives its $\overline{\text{READY}}$ signal. This prevents contention between the two ready signals. The $\overline{\text{RDYEN}}$ signal is asserted based upon which state the DRAM control state machine is in. It's asserted during states s0, s2, s3 and s4, regardless if $\overline{\text{READY}}$ is asserted or not.

2.3.4.11 $\overline{\text{READY}}$ Signal

The active low $\overline{\text{READY}}$ signal is connected to the $\overline{\text{RDYRCV}}$ pin of the processor. It indicates to the processor that data can be transferred, and that the address can be incremented if the access is a burst. It is asserted based upon which state the DRAM control state machine is in. It is asserted unconditionally in states s2 and s3. It is asserted in s4 if the access is a burst read, provided it's not the last access of the burst.

2.3.4.12 $\overline{\text{DWE}}$ Signal

The active low $\overline{\text{DWE}}$ signal indicates to the DRAM that the access is a write, provided the controller is not in refresh. The write enable signal of the DRAM's must be held high during refresh.

2.4 SAR slave controller

The SAR slave controller controls access to the SAR in slave mode. Reading and writing the SAR in slave mode accesses 32 bit registers that initialize and control the SAR. Referring to Figure 4, the SAR slave controller is discussed in 4 sections: control logic, address flow logic, data flow logic, and the SAR slave controller state machines and signals.

2.4.1 Control Logic

The control logic is implemented using the EPX780 FPGA and a MACH210 PLD. The FPGA decodes the SAR's address space, and provides the select signal to the SAR's access state machine. The MACH210 PLD provides all the logic that makes up the SAR controller, which controls the sequencing of the SAR itself, and the signals that control the SAR's address and data transceivers.

2.4.2 Address Flow Logic

Figure 9 shows the SAR Address Buffers. The address for the SAR is controlled by two 74ABT16601 universal bus transceivers. The \overline{AOEABn} control signal, output from the SAR controller, enables the latched address bits onto the multiplexed AD bus of the SAR. When inactive, the outputs of the transceivers are three-stated, allowing data to be driven on the data bus without being in contention with the address bus.

2.4.3 Data Flow Logic

Figure 9 shows the SAR Data Buffers. The data for the SAR is controlled by two 74ABT16601 universal bus transceivers. The \overline{DOEABn} control signal, output from the SAR controller, enables the data onto the multiplexed AD bus of the SAR, when the SAR is being written to. The \overline{DOEBAn} control signal, output from the SAR controller, enables the data onto the AD bus of the processor, when the SAR is being read. When either control signal is inactive, both sides A and B of the data buffers are three-stated, allowing the bus to be used for other functions.

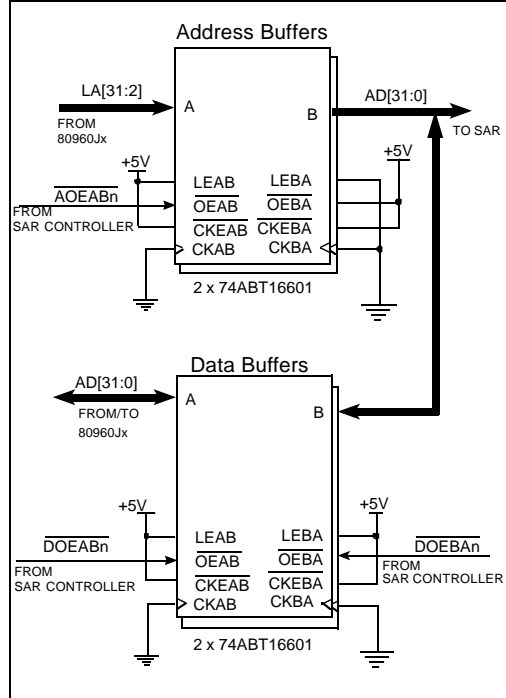


Figure 9. SAR Address and Data Buffers

2.4.4 State Machine and Signals

The SAR slave controller consists of the SAR access state machine, and several equations that implement the control signals. The SAR controller resides in the MACH210 PLD.

The SAR controller is written in MACHXL. Appendix B, PLD EQUATIONS contain the code which implement the SAR controller. The state machine transitions described here follow the MACHXL conventions for logic operators.

/	Represents Boolean NOT
*	Represents Boolean AND
+	Represents Boolean OR
{ }	Represents Substitution (OUT1=A*B*C, OUT2=A*B*C*D or OUT2={OUT1}*D)



2.4.4.1 SELC Signal

The active high SELC signal is decoded from the latched address bits LA[31:28]. When these address bits equal C₁₆ during the processor's address cycle, SELC is asserted indicating an access to the SAR memory region.

2.4.4.2 SELSQ0 Signal

SELSQ0 is the select signal (standing for Select Squall module, remembering that the SAR is on the squall module) which initiates the SAR Access State Machine when SELC is asserted.

2.4.4.3 SAR Access State Machine

Shown in Figure 10 is the SAR access state machine. It is initiated when the SELSQ0 select signal from the FPGA is asserted, due to a request issued to the SAR's memory region.

The state of the control signals implemented in the controller, depend upon which state the state machine is in. The following are the signals that make up the SAR controller.

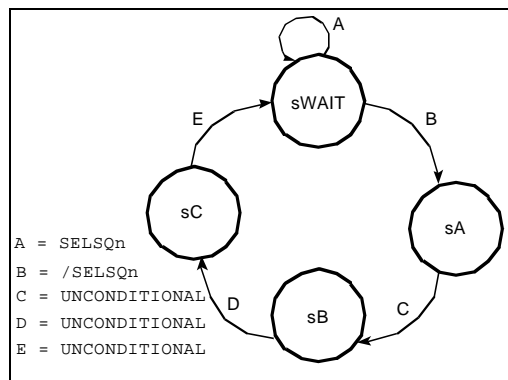


Figure 10. 80960Jx to SAR Access State Machine

2.4.4.4 $\overline{\text{READY}}_n$ Signal

The $\overline{\text{READY}}_n$ signal is asserted on the rising edge of the clock, at the end of state sB of the SAR access state machine. At the end of state sC, $\overline{\text{READY}}_n$ signals to the processor the termination of a data transfer.

2.4.4.5 $\overline{\text{READY}}_{\text{pinn}}$ Signal

The $\overline{\text{READY}}_{\text{pinn}}$ signal is connected to the $\overline{\text{RDYRCV}}$ pin of the processor. It can be three-stated and is driven by $\overline{\text{READY}}_n$. It must be three-stated when an access other than a SAR access occurs. The $\overline{\text{READY}}_{\text{pinn}}$ signal is paired with the $\overline{\text{READY}}_n$ signal, indicated by the brackets around $\overline{\text{READY}}_n$ on the right side of the $\overline{\text{READY}}_{\text{pinn}}$ equation. (see the MACHXL PLD file of Appendix B). Pairing connects a node signal like $\overline{\text{READY}}_n$, to an output signal like $\overline{\text{READY}}_{\text{pinn}}$.

2.4.4.6 $\overline{\text{RDYEN}}_n$ Signal

$\overline{\text{RDYEN}}_n$ controls the three-state buffer that three-states the $\overline{\text{READY}}_{\text{pinn}}$ signal. It is asserted when SELSQ0 is asserted.

2.4.4.7 $\overline{\text{SARSEL}}_n$ Signal

The $\overline{\text{SARSEL}}_n$ signal selects the SAR, enabling it to be accessed in slave mode.

2.4.4.8 $\overline{\text{SARASEL}}_n$ Signal

The $\overline{\text{SARASEL}}_n$ signal indicates to the SAR that an address is on its AD bus. On the first rising clock edge after $\overline{\text{SARASEL}}_n$ goes active, the SAR latches the address onto its AD bus for use during an access.

2.4.4.9 $\overline{\text{SARSWR}}_n$ Signal

The $\overline{\text{SARSWR}}_n$ signal determines the direction of the slave access. 1=read, 0=write.

2.4.4.10 $\overline{\text{AOEAB}}_n$ Signal

The $\overline{\text{AOEAB}}_n$ signal enables the B output of the SAR's address buffers, directing the flow of the latched address from the PCI-SDK, onto the AD bus of the SAR.

2.4.4.11 $\overline{\text{DOEAB}}_n$ Signal

The $\overline{\text{DOEAB}}_n$ signal enables the flow of data through the data buffers from A to B, to the AD bus of the SAR during a write.



2.4.4.12 $\overline{\text{DOEBAn}}$ Signal

The $\overline{\text{DOEBAn}}$ signal enables the flow of data through the data buffers from B to A, to the AD bus of the processor during a read.

3.0 DRAM CONTROLLER ACCESS FLOW

This section explains how the DRAM controller is sequenced while reading, writing and refreshing the DRAM. Examples discussed are:

- single word read access
- quad word read access
- single word write access
- quad word write access
- refresh

For the following accesses, refer to Figure 8. All accesses to the DRAM are with the i960 Jx processor configured with a 32 bit bus.

3.1 Single Word Read and Write Access

Figure 11 shows a single word read timing diagram. In state s0 of the read when an access has begun, the address bits from the processor are latched, and held latched throughout the access. The $\overline{\text{MUX}}$ signal stays deasserted, selecting the row address via the multiplexer. On the clock edge at the end of state s0, the DRAM control state machine transitions to state s2. In the beginning of state s2, the $\overline{\text{BLAST}}$ signal, $\overline{\text{MEMPEND}}$ bit, $\overline{\text{INCBANK}}$ signal, and all the $\overline{\text{RAS}}$ lines are asserted. $\overline{\text{BLAST}}$ asserting at this time indicates a single access, $\overline{\text{MEMPEND}}$ indicates an access is pending, $\overline{\text{INCBANK}}$ indicates the next state is a data state, while the $\overline{\text{RAS}}$ lines load the row address into all the DRAM's. In the middle of s2 the $\overline{\text{MUX}}$ signal is asserted on the falling edge of CLK1, selecting the column address.

At the end of state s2, the state machine unconditionally transitions to state s4. In s4, $\overline{\text{READY}}$ is asserted and the $\overline{\text{CAS}}$ lines for bank A are asserted, based on the byte enables. Asserting of the $\overline{\text{CAS}}$ lines enables data from the

DRAM's onto the AD bus, making state s4 the data state (T_{d0}). On the clock edge at the end of state s4, data is captured by the processor due to sampling $\overline{\text{READY}}$ asserted. It is at this point that data put on the AD bus from the DRAM, must meet the set-up (t_{s1}) and hold (t_{h1}) times of the processor. At the time $\overline{\text{READY}}$ is sampled low, $\overline{\text{BLAST}}$ is sampled low, causing the state machine to transition to state s0, completing the access and deasserting the $\overline{\text{MEMPEND}}$ bit.

Figure 11 shows a single word write timing diagram. This access sequences in the same manner as the single word read access did, up until the first data state.

In state s0 of the write when an access has begun, the address bits from the processor are latched, and held latched throughout the access. The $\overline{\text{MUX}}$ signal stays deasserted, selecting the row address via the multiplexer. On the clock edge at the end of state s0, the DRAM control state machine transitions to state s2, due to the processor access. In the beginning of state s2, the $\overline{\text{BLAST}}$ signal, $\overline{\text{MEMPEND}}$ bit, $\overline{\text{INCBANK}}$ signal, and all the $\overline{\text{RAS}}$ lines are asserted. $\overline{\text{BLAST}}$ asserting at this time indicates a single access, $\overline{\text{MEMPEND}}$ indicates an access is pending, $\overline{\text{INCBANK}}$ indicates the next state is a data state, while the $\overline{\text{RAS}}$ lines load the row address into all the DRAM's. Also during state s2, data is driven on the AD bus, where it waits to be written into the DRAM's. In the middle of s2 the $\overline{\text{MUX}}$ signal is asserted on the falling edge of CLK1, selecting the column address.

At the end of state s2, the state machine unconditionally transitions to state s4. In s4, $\overline{\text{READY}}$ is asserted and the $\overline{\text{CAS}}$ lines for bank A are asserted, based on the byte enables. Asserting the $\overline{\text{CAS}}$ lines writes data into the DRAM's from the AD bus, making state s4 the data state (T_{d0}). It is at this point that data on the AD bus must meet the set-up (t_{ds}) and hold (t_{dh}) times of the DRAM's. In this design, t_{dh} is most critical, and is met by holding the data on the AD bus until the end of state s4. On the clock edge at the end of state s4, $\overline{\text{READY}}$ and $\overline{\text{BLAST}}$ are sampled asserted, causing the state machine to transition back to state s0, completing the access and deasserting the $\overline{\text{MEMPEND}}$ bit.



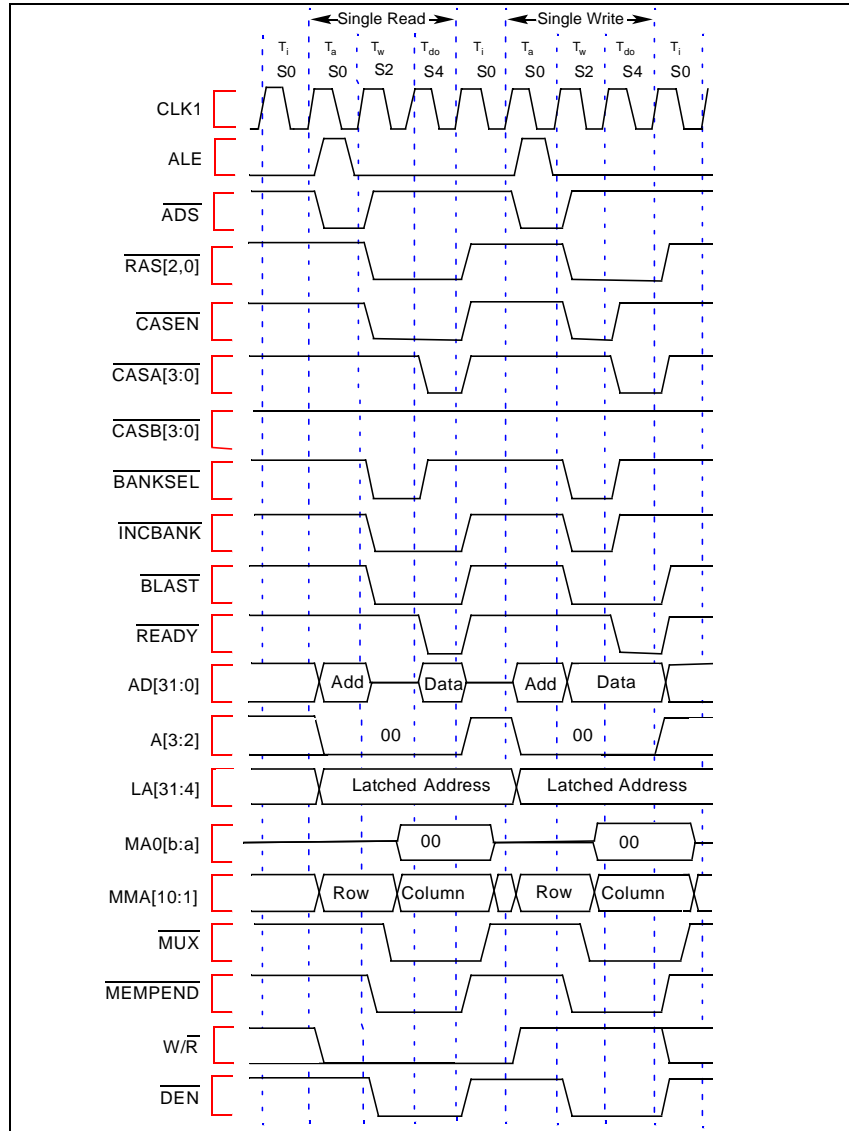


Figure 11. 80960Jx to DRAM 1 Wait State Single Word Read and Write Timing Diagram



3.2 Quad Word Read Access

Figure 12 shows a quad word read timing diagram. The quad word read access begins exactly the same way that the single word read access did, until the clock edge at the end of state s4. At this point, since a quad word read has 1-0-0-0 wait states, the state machine stays in s4, until a $\overline{\text{READY}}$ and $\overline{\text{BLAST}}$ are sampled asserted, on the rising clock edge at the end of state s4. As the state machine spins in s4, the toggling $\overline{\text{BANKSEL}}$ and the byte enables determine which $\overline{\text{CAS}}$ signals activate, thereby controlling which leaf of the DRAM data is transferred from. The toggling of $\overline{\text{BANKSEL}}$ causes $\overline{\text{CASA}}$ and $\overline{\text{CASB}}$ to activate alternately, with $\overline{\text{CASA}}$ enabling bank A first. As $\overline{\text{CASA}}$ and $\overline{\text{CASB}}$ alternate, bits MA0A and MA0B increment, providing two separate addresses, two for each bank. This is evident by observing Figure 12, which shows that bit “a” of MA0[b:a] toggles from 0 in data state T_{d0} to 1 in data state T_{d2} . This is also true with bit “b”, during data states T_{d1} and T_{d3} . During these data states the $\overline{\text{MUX}}$ signal stays asserted, only allowing the $\overline{\text{CAS}}$ address to be changed.

3.3 Quad Word Write Access

Figure 13 shows a quad word write timing diagram. The quad word write access begins exactly the same way that

the single word write access did, until the clock edge at the end of state s4. At this point, since a quad word write has 1-1-1-1 wait states, the state machine alternates between states s4 and s3, with s4 being the data state ($\overline{\text{CAS}}$ signals asserted) and s3 being the wait state ($\overline{\text{CAS}}$ signals deasserted). The signals that determine which states are the data and wait states of the DRAM control state machine, are the $\overline{\text{CASEN}}$ and $\overline{\text{INCBANK}}$ signals. If at the end of s4, $\overline{\text{CASEN}}$ and $\overline{\text{INCBANK}}$ are deasserted, the $\overline{\text{CAS}}$ lines deassert and the incrementing address bits MA0[b:a] are incremented, preparing for the next data state. If at the end of s3 $\overline{\text{CASEN}}$ and $\overline{\text{INCBANK}}$ are asserted, the $\overline{\text{CAS}}$ lines are asserted and address bits MA0[b:a] are held constant until the end of the data state. The incrementing of bits MA0A and MA0B provide two separate addresses, two for each bank. This is evident by observing Figure 13, which shows that bit “a” of MA0[b:a] toggles from 0 in data state T_{d0} to 1 in data state T_{d2} . This is also true with bit “b”, during data states T_{d1} and T_{d3} .

If the $\overline{\text{READY}}$ and $\overline{\text{BLAST}}$ signals are sampled asserted on the rising clock edge at the end of state s4, the state machine transitions back to state s0, where the access is complete. During these data states the $\overline{\text{MUX}}$ signal stays asserted, only allowing the $\overline{\text{CAS}}$ address to be changed.



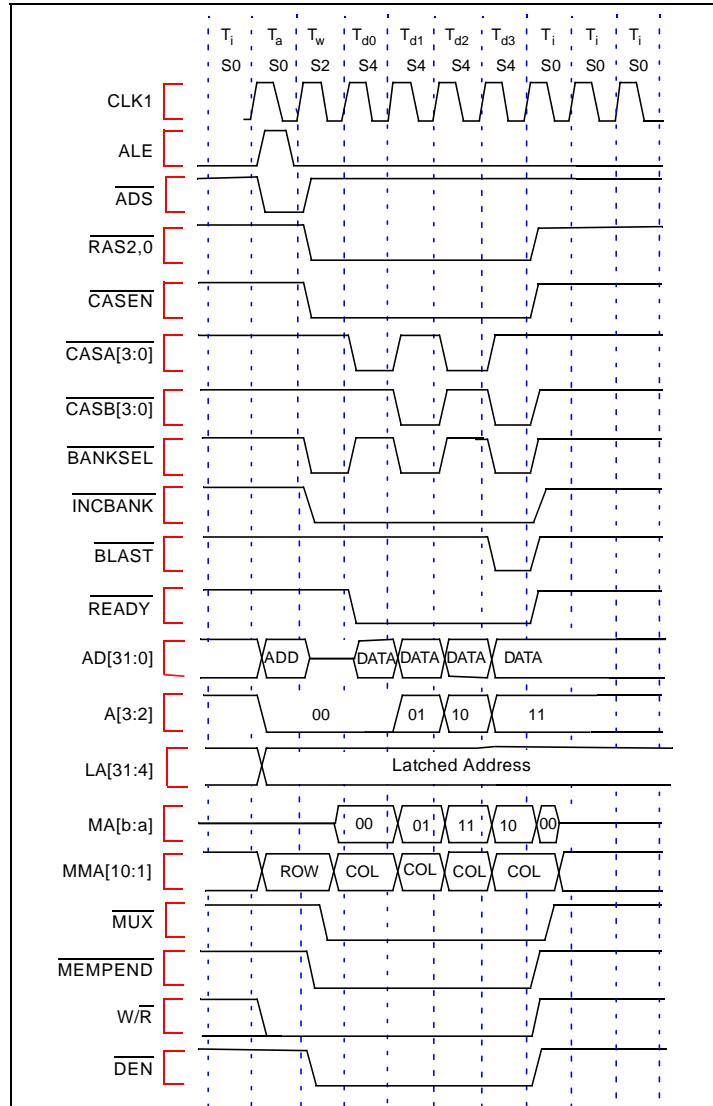


Figure 12. 80960Jx to DRAM 1,0,0,0 Quad Word Read Timing



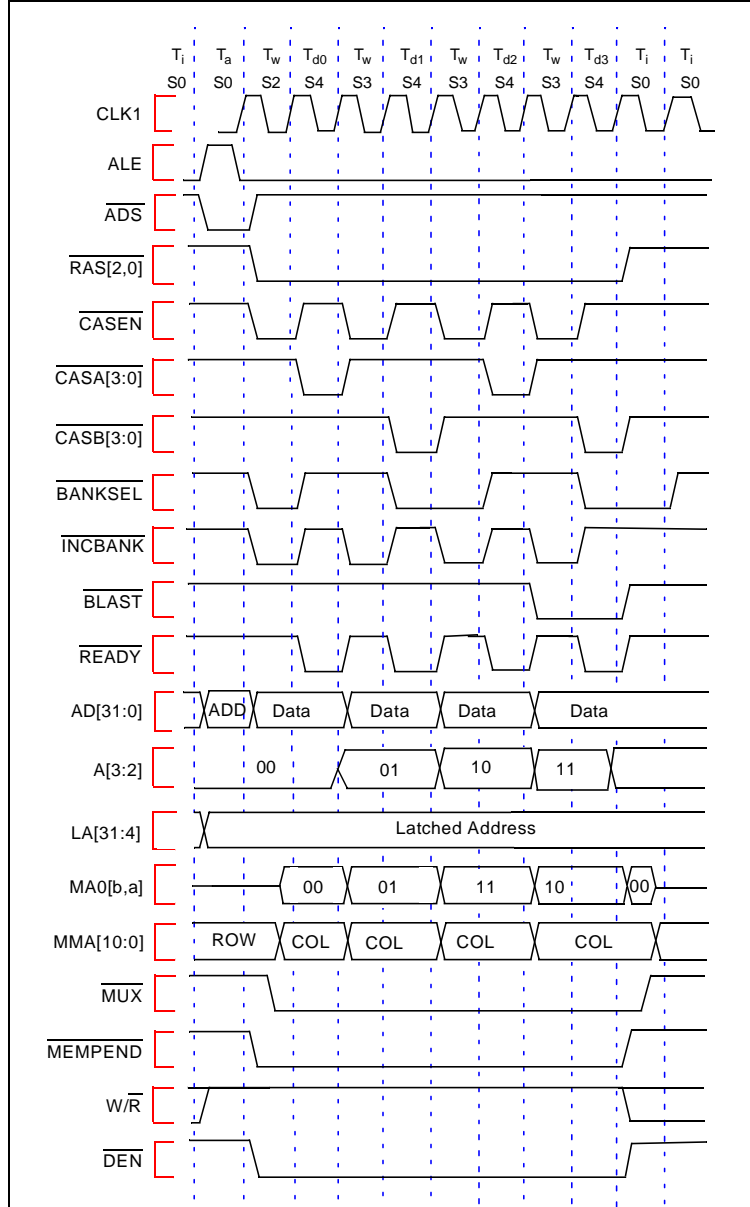


Figure 13. 80960Jx to DRAM 1,1,1,1 Quad Word Write Timing Diagram



3.4 $\overline{\text{CAS}}$ before $\overline{\text{RAS}}$ Refresh

Figure 14 shows a refresh cycle timing diagram. As soon as the PCI-SDK powers up, the refresh counter starts counting, and cannot be stopped by RESET. The counter is a free-running divide-by-64 counter, running on a 4 MHz clock. Its output switches high every 64 cycles of the 4 MHz clock, giving a 16 μs interval for requesting refresh.

On the next 25 MHz clock edge after the output of the counter switches high, the $\overline{\text{REFSYNC}}$ signal is asserted, causing the $\overline{\text{REFCLK}}$ and $\overline{\text{REFCLKD}}$ signals to sequence as shown in Figure 14. When $\overline{\text{REFCLK}}$ is sampled high and $\overline{\text{REFCLKD}}$ is sampled low on the clock edge, $\overline{\text{REFPEND}}$ is asserted. When $\overline{\text{REFPEND}}$ is detected low on the next clock edge, the DRAM control state machine enters state s6

where refresh begins. At the beginning of s6, $\overline{\text{REF}}$ is asserted and stays asserted through state s10. On the clock edge at the end of s6, $\overline{\text{REF}}$ indicates to the $\overline{\text{REFPEND}}$ state machine that the DRAM refresh is going to be satisfied, causing $\overline{\text{REFPEND}}$ to be deasserted.

The $\overline{\text{REF}}$ signal serves another purpose. It enables the $\overline{\text{CAS}}$ state machines during refresh, allowing the $\overline{\text{CAS}}$ signals to be driven. In states s8-s10, the $\overline{\text{RAS}}$ signals are asserted, giving a $\overline{\text{CAS}}$ before $\overline{\text{RAS}}$ refresh, since the $\overline{\text{CAS}}$ signals were asserted back in state s6.

After the state machine transitions out of state s10 completing the refresh, it passes through states s5 and s0, where the required RAS precharge takes place before another access can begin

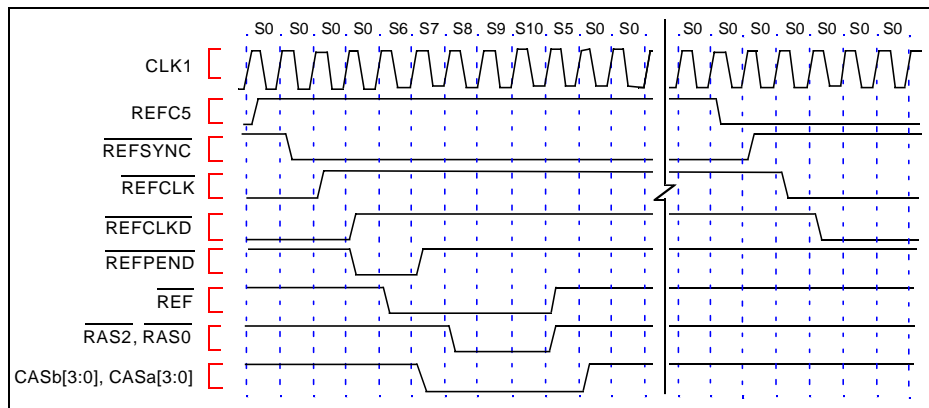


Figure 14. $\overline{\text{CAS}}$ -Before- $\overline{\text{RAS}}$ Refresh Cycle

4.0 SAR SLAVE ACCESS FLOW

This section describes how the SAR controller is sequenced during a single word read and write access.

All accesses to the SAR are with the i960 Jx processor configured with a 32 bit bus.

4.1 Single Word Read and Write Access

Figure 15 shows the Single Word Read Access Timing Diagram. The single word access begins with the processor making a request to the SAR address space. The address is latched and decoded, asserting the $\overline{\text{SELSQ0}}$ select signal. On the first rising clock edge that $\overline{\text{SELSQ0}}$ is low, the SAR access state machine initiates and unconditionally transi-

tions from state sA through state sC, back into state sWAIT. The state machine will stay in sWAIT until $\overline{\text{SELSQ0}}$ asserts, indicating another access.

At the end of state sWAIT when the state machine transitions to sA, the SAR controller drives $\overline{\text{SARSWRn}}$ high for a read, and asserts $\overline{\text{SARSELn}}$, $\overline{\text{SARASELn}}$, and $\overline{\text{AOEABn}}$. As $\overline{\text{AOEABn}}$ asserts, the address buffers place the address on the SAR's AD bus, where it is latched into the SAR on the first rising edge of the clock after $\overline{\text{SARASELn}}$ goes low. On the following clock edge after the address is latched, the SAR places the data on its AD lines, which is at the beginning of state sC, provided that $\overline{\text{SARSELn}}$ is low. At the beginning of state sC with the data placed on the SAR's AD bus, $\overline{\text{READYpinn}}$ is asserted and $\overline{\text{DOEBAn}}$ activates, placing the data onto the processors AD bus, through the

data buffers. At the end of state sC, the processor samples $\overline{\text{READY}}$ and $\overline{\text{BLAST}}$ asserted, signaling the end of the data transfer. When $\overline{\text{READY}}$ and $\overline{\text{BLAST}}$ are sampled asserted during the transition from sC to sWAIT, the $\overline{\text{SELSQ0}}$ signal deasserts, keeping the SAR access state machine in state sWAIT.

Figure 15 shows the Single Word Write Access Timing Diagram. The single word access begins with the processor making a request to the SAR address space. The address is latched and decoded, asserting the $\overline{\text{SELSQ0}}$ select signal. On the first rising clock edge that $\overline{\text{SELSQ0}}$ is low, the SAR access state machine initiates and unconditionally transitions from state sA through state sC, back into state sWAIT. The state machine will stay in sWAIT until $\overline{\text{SELSQ0}}$ asserts, indicating another access.

At the end of state sWAIT when the state machine transitions to sA, the SAR controller drives $\overline{\text{SARSWRn}}$ low for a

write, and asserts $\overline{\text{SARSELn}}$, $\overline{\text{SARASELn}}$, and $\overline{\text{AOEABn}}$. As $\overline{\text{AOEABn}}$ asserts, the address buffers place the address on the SAR's AD bus, where it is latched into the SAR on the first rising edge of the clock after $\overline{\text{SARASELn}}$ goes low. On the same clock edge that the address is latched, the $\overline{\text{DOEABn}}$ signal is asserted, enabling data onto the SAR's AD bus, through the data buffers. The SAR then completes the access by latching the data present on its AD bus on the leading edge of the clock, just before $\overline{\text{SARSELn}}$ goes high. The clock edge in this case is at the end of state sB.

In the beginning of state sC after the access has completed, the controller asserts $\overline{\text{READYpin}}$ and deasserts $\overline{\text{DOEABn}}$, removing the data from the SAR's AD bus. At the end of state sC, the processor samples $\overline{\text{READY}}$ and $\overline{\text{BLAST}}$ asserted, signaling the end of the data transfer. When $\overline{\text{READY}}$ and $\overline{\text{BLAST}}$ are sampled asserted during the transition from sC to sWAIT, the $\overline{\text{SELSQ0}}$ signal deasserts, keeping the SAR access state machine in state sWAIT.



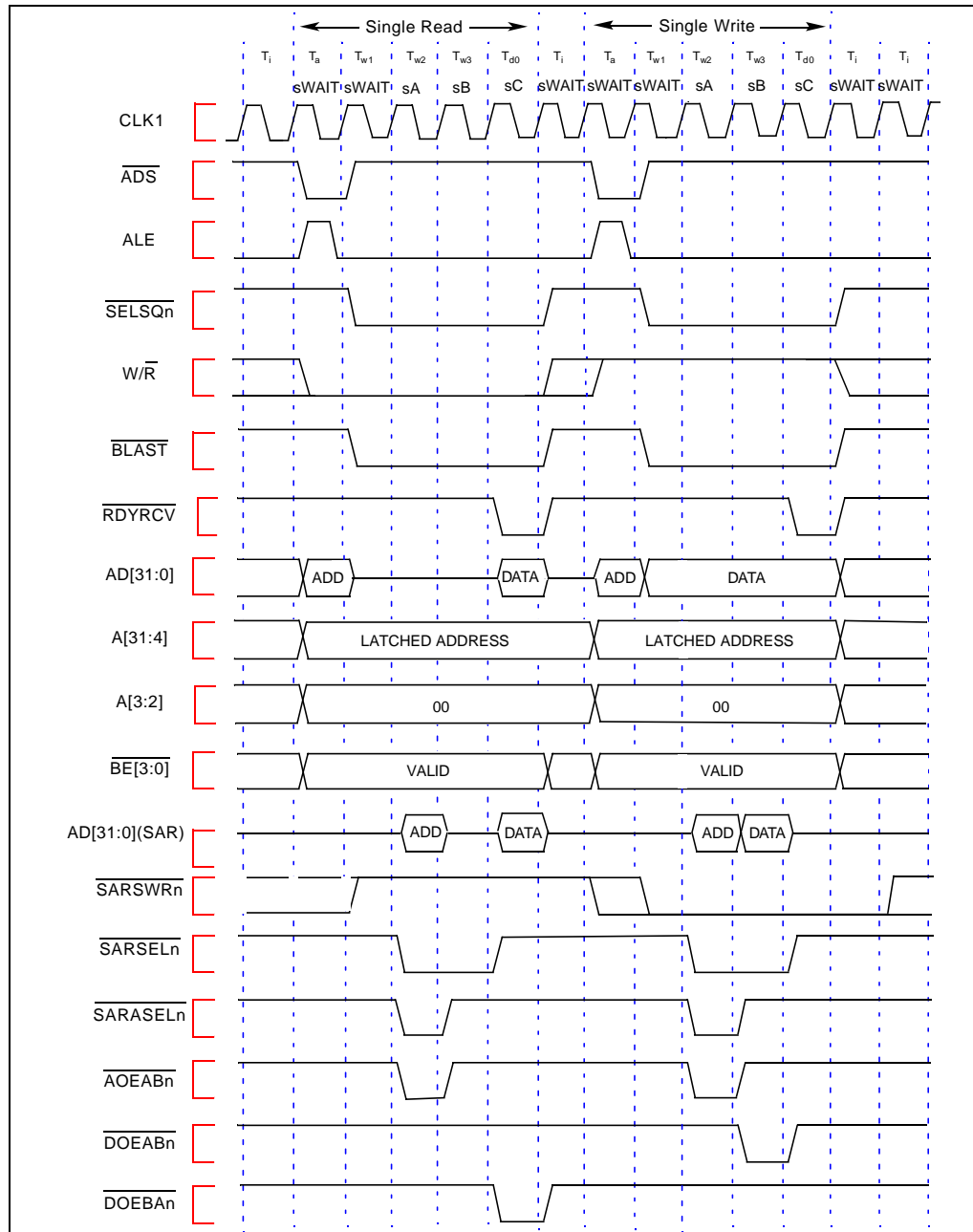


Figure 15. 80960Jx to μPD98401 Single Word Read and Write Timing Diagram



5.0 CONCLUSION

This application note discusses how to interface between an Intel i960 Jx processor and an NEC μ PD98401 Local ATM SAR Chip. The platform used was a Cyclone Microsystems PCI-SDK evaluation platform, with a i960 Jx processor module and an ATM Squall module. With the Squall module containing the SAR chip. To support the interface between the i960 Jx processor and the SAR chip are 2, 8, or 32 Mbytes of DRAM, implemented in two 72 pin SIMM sockets. The schematics were generated in Future Net. The PLD equations for the DRAM controller were written in PLDshell, and the SAR controller equations were written in MACHXL. The schematics and PLD files are available through Intel America's Application Support BBS.

6.0 RELATED INFORMATION

To receive Intel literature, contact:

Intel Corporation
 Literature Sales
 P.O. Box 7641
 Mt. Prospect IL 60056-7641
 1-800-879-4683

Table 1. Related Information

Reference #	Document Name	Order#
1	Intel Solutions960® catalog	Intel 270791
2	i960® Jx Microprocessor Users's Manual	Intel 272483
3	80960JA/JF Embedded 32-bit Microprocessor Data Sheet	Intel 272504
4	μ PD98401 LOCAL ATM SAR CHIP User's Manual	NEC IEU-1384
5	μ PD98401 LOCAL ATM SAR CHIP Preliminary Data Sheet	NEC ID-3392
6	10 ns FLASHlogic FPGA with SRAM Option Data Sheet	Altera
7	PLDshell Plus /PLDasm User's Guide V4.0	Intel
8	Cyclone i960® Microprocessor User's Guide	Intel 272577
9	MACHXL Software Users's Guide	AMD
10	MACH 1 and 2 Family Data Book	AMD

You can use your PC with modem to download schematics and PLD equations from Intel's Bulletin Board Service (BBS).

Intel Technical Support Hotline	North America: 800-628-8686 Europe: 44-793-696-000
Intel's Bulletin Board Service (BBS) for schematics and PLD equations	North America: 916-356-3600 supports up to 14.4 Kbps (n,8,1,p) Europe: 44-793-432-955

To contact Cyclone Microsystems for additional information about their products:

Cyclone Microsystems 25 Science Park New Haven CT 06511	Phone: 203-786-5536
	FAX: 203-786-5025
	e-mail: info@cyclone.com



**APPENDIX A
PLDshell FILES**

Table A-1 contains the PLD equations used to build the portion of the DRAM controller, implemented in the Altera FLASHlogic EPX780 FPGA. Table A-2 contains the PLD equations used to build the portion of the DRAM controller, implemented in the PAL20V8. The PLD equations were created in PLDshell.

Table A-1. DRAM Controller EPX780 PLDshell File (Sheet 1 of 12)

TITLE	Private DRAM Control		
PATTERN	D601 - Compiled with PLDShell		
REVISION	E		
AUTHOR	J. Smith		
COMPANY	Cyclone Microsystems Inc.		
DATE	5-10-95		
CHIP	DCTRL	iFX780_84	
PIN	3	pclk	;INP: system clock
PIN	45	clk16	;INP: 16MHz clock
PIN	51	rst	;INP: reset
PIN	47	ads	;INP:
PIN	81	blast	;INP:
PIN	55	a31	;INP:
PIN	56	a30	;INP:
PIN	58	a29	;INP:
PIN	60	a28	;INP:
PIN	62	a19	;INP:
PIN	64	a18	;INP:
PIN	32	a3	;INP: address to increment
PIN	13	a2	;INP: select bank cas
PIN	20	a1	;INP: select bank cas
PIN	75	w_r	;INP: shared w/r
PIN	76	holda	;INP:
PIN	77	sqbr0	;INP: Squall 0 bus request
PIN	78	pcihold	;INP: PCI 9060 bus request
PIN	79	lock	;INP: 960 lock
PIN	82	extend	;INP: squall module extend dram reads
PIN	1	pt2	;INP: i960 processor type Pulled hi on board
PIN	35	pt1	;INP: i960 processor type
PIN	37	pt0	;INP: i960 processor type
PIN	8	freq2	;INP: i960 processor freq
PIN	7	freq1	;INP: i960 processor freq
PIN	28	freq0	;INP: i960 processor freq
PIN	74	pd3	;INP: SIMM PD3 output 70/60ns
PIN	73	swaprom	;INP:
PIN	21	pciinstall	;INP: PCI9060 installed = 1
PIN	IO29	readyin	;INP: should be given same pin # ; as ready pin - this is for ; pin feedback



Table A-1. DRAM Controller EPX780 PLDshell File (Sheet 2 of 12)

PIN	I051	muxin		;INP: should be given same pin # ; as mux pin. muxalt when operating @ 33Mhz
PIN	22	irquart		;INP: active high uart interrupt
PIN	83	brego		;INP: PCI9060 indicates deadlock
PIN	84	boff	REG	;OUT: BOFF* to Cx processors @ deadlock
PIN	30	altREADY	REG	;OUT: ready during deadlock
PIN	54	irqddlk	REG	;OUT: deadlock interrupt
PIN	9	ras0	REG	;OUT:
PIN	5	ras2	REG	;OUT:
PIN	63	mux	REG	;OUT: mux output - freq<33 , active low
PIN	61	muxalt	REG	;OUT: mux output - freq>=33, " "
PIN	27	casen	REG	;OUT:
PIN	72	banksel	REG	;OUT:
PIN	70	ma0a	REG	;OUT:
PIN	69	ma0b	REG	;OUT:
PIN	31	dwe	REG	;OUT: DRAM write enable
PIN	12	ready	REG	;out: i960 ready
PIN	6	ref	REG	;out:
PIN	48	hold	REG	;OUT: hold processor
PIN	49	sqbg0	REG	;OUT: bus grant Squall 0
PIN	50	pcihlda	REG	;OUT: bus grant to PLX 9060
PIN	19	clk4	REG	;OUT: 4MHz clock
PIN	18	zrd	REG	;OUT:
PIN	16	zwr	REG	;OUT:
PIN	15	ior	REG	;OUT:
PIN	14	iow	REG	;OUT:
PIN	43	selio	REG	;
PIN	42	selcio	REG	;OUT:
PIN	41	seluart	REG	;OUT:
PIN	40	selpp	REG	;OUT: select parallel port
PIN	33	selpmrom	REG	;OUT:
PIN	34	selfrom0	REG	;OUT:
PIN	36	selfrom1	REG	;OUT:
PIN	39	selsq0	REG	;OUT: Select Squall Module
PIN	57	irquartn	COMB	;OUT: active low uart interrupt
NODE	I046	altrDYEN	REG	;buried: ready enable during deadlock
NODE	I028	rdyen	REG	;buried: ready enable
NODE	I049	st0	REG	
NODE	I044	st1	REG	
NODE	I042	st2	REG	
NODE	I031	bss0	REG	;buried: bank select state 0
NODE	I005	incbank	REG	;buried:
NODE	I007	mempend	REG	;buried:
NODE	I052	sx		;buried: Sx processor is accessing Mem.
NODE	I050	pfv1		;buried:
NODE	I057	pfv0		;buried:



Table A-1. DRAM Controller EPX780 PLDshell File (Sheet 3 of 12)

NODE	I054	selmux		;buried:
NODE	I076	refsync	REG	;buried:
NODE	I006	refclk	REG	;buried:
NODE	I008	refclkd	REG	;buried:
NODE	I002	refpend	REG	;buried: refresh pending
NODE	I067	BOOTRD0	REG	;buried: set at reset, clr w/ ADS
NODE	I065	BOOTRD1	REG	;buried: set at ADS, clr w/ blast
NODE	I022	clk8	REG	;buried: 8MHz clock
NODE	I010	ios0	REG	;buried: io control states
NODE	I013	ios1	REG	;buried: io control states
NODE	I016	ios2	REG	;buried: io control states
NODE	I015	ios3	REG	;buried: io control states
NODE	I019	ios4	REG	;buried: io control states
NODE	I032	ciotrc	REG	;buried:
NODE	I034	synctrc	REG	;buried:
NODE	I036	count0	REG	;buried: cio trcv states
NODE	I038	count1	REG	;buried: cio trcv states
NODE	I079	refc0	REG	;buried: refresh counter
NODE	I078	refc1	REG	;buried: refresh counter
NODE	I074	refc2	REG	;buried: refresh counter
NODE	I072	refc3	REG	;buried: refresh counter
NODE	I071	refc4	REG	;buried: refresh counter
NODE	I070	refc5	REG	;buried: refresh counter
NODE	I012	t0	REG	;buried: timeout states
NODE	I014	t1	REG	;buried: timeout states
NODE	I055	d0	REG	;buried: deadlock states
NODE	I058	d1	REG	;buried: deadlock states
STRING	sel4_7	`/a31 * a30'		;regions 4-7
STRING	sel8_9	` a31 * /a30 * /a29'		;regions 8-9
STRING	sel0_3	`/a31 * /a30'		;region 0-3
STRING	seldram	` a31 * /a30 * a29 * /a28'		;region A
STRING	selb	` a31 * /a30 * a29 * a28'		;region B
STRING	selc	` a31 * a30 * /a29 * /a28'		;regions C
STRING	seld	` a31 * a30 * /a29 * a28'		;regions D
STRING	sele	` a31 * a30 * a29 * /a28'		;region E
STRING	self	` a31 * a30 * a29 * a28'		;region F
STRING	pf0	`/pfv1 * /pfv0'		
STRING	pf1	`/pfv1 * pfv0'		
STRING	pf2	` pfv1 * /pfv0'		
STRING	pf3	` pfv1 * pfv0'		
STRING	Cx	`/pt2 * pt1 * /pt0'		
STRING	Jx	` pt2 * /pt1 * /pt0'		



Table A-1. DRAM Controller EPX780 PLDshell File (Sheet 4 of 12)

```

T_TAB (freq2 freq1 freq0 pd3 >> pfv1 pfv0 )
      0   1   x   x   :   0   0   ; pf0=16 & 20MHz, 60 & 70ns
      1   0   0   1   :   0   0   ;   =25MHz,      60ns
                                   ;3111,3222
      1   0   0   0   :   0   1   ; pf1=25MHz,      70ns
      1   0   1   x   :   0   1   ;   =33MHz,      60 & 70ns
      1   1   0   1   :   0   1   ;   =40MHz,      60ns
                                   ;41111,42221
      1   1   0   0   :   1   0   ; pf2=40MHz,      70ns
      1   1   1   1   :   1   0   ;   =50MHz,      60ns
                                   ;52221,42221
      1   1   1   0   :   1   0   ; pf3=50MHz,      70ns
                                   ;52222,42221

      ;***** I/O Wait & ready generation ***

STATE MEALY_MACHINE
DEFAULT_BRANCH io0
io0 = ios4 * ios3 * ios2 * ios1 * ios0
io1 = ios4 * ios3 * ios2 * ios1 * /ios0
io2 = ios4 * ios3 * ios2 * /ios1 * /ios0
io3 = ios4 * ios3 * ios2 * /ios1 * ios0
io4 = ios4 * ios3 * /ios2 * /ios1 * ios0
io5 = ios4 * ios3 * /ios2 * /ios1 * /ios0
io6 = ios4 * ios3 * /ios2 * ios1 * /ios0
io7 = ios4 * ios3 * /ios2 * ios1 * ios0
io8 = ios4 * /ios3 * /ios2 * ios1 * ios0
io9 = ios4 * /ios3 * /ios2 * /ios1 * ios0
io10 = ios4 * /ios3 * /ios2 * /ios1 * /ios0
io11 = ios4 * /ios3 * /ios2 * ios1 * /ios0
io12 = ios4 * /ios3 * ios2 * ios1 * /ios0
io13 = ios4 * /ios3 * ios2 * ios1 * ios0
io14 = /ios4 * /ios3 * ios2 * ios1 * ios0
io15 = /ios4 * ios3 * ios2 * ios1 * ios0
io16 = /ios4 * ios3 * ios2 * ios1 * /ios0
io17 = /ios4 * ios3 * ios2 * /ios1 * /ios0
io18 = /ios4 * ios3 * ios2 * /ios1 * ios0
io19 = /ios4 * ios3 * /ios2 * /ios1 * ios0
io20 = /ios4 * ios3 * /ios2 * ios1 * ios0
io21 = /ios4 * /ios3 * /ios2 * ios1 * ios0
io22 = /ios4 * ios3 * /ios2 * ios1 * /ios0
io23 = /ios4 * /ios3 * ios2 * ios1 * /ios0
io24 = /ios4 * /ios3 * ios2 * /ios1 * ios0
io32 = /ios4 * /ios3 * /ios2 * ios1 * /ios0 ; used only on 1st Cx/Hx read.

io0 := ( /selio * /selcio * ciotrc) -> io1
      + ( /selio * selcio ) -> io15
      + ( /selpmrom ) -> io15
      + ( time3 ) -> io15
    
```



Table A-1. DRAM Controller EPX780 PLDshell File (Sheet 5 of 12)

```

io1 := vcc -> io2
io2 := vcc -> io3
io3 := vcc -> io4
io4 := vcc -> io5
io5 := vcc -> io6
io6 := vcc -> io7
io7 := vcc -> io8
io8 := vcc -> io9
io9 := vcc -> io10
io10 := vcc -> io11
io11 := vcc -> io12
io12 := vcc -> io13
io13 := vcc -> io14
io14 := vcc -> io15
io15 := vcc -> io16
io16 := vcc -> io17
io17 := vcc -> io18
io18 := vcc -> io19
io19 := vcc -> io20
io20 := vcc -> io21
io21 := ( BOOTRD1 ) -> io32      ; Cx first read, loop & hold ready
      + (/BOOTRD1 ) -> io22    ; low until Cx asserts blast.
io22 := ( blast ) -> io15      ; Sx/Kx burst read
      + (/blast ) -> io23
io23 := vcc -> io24
io24 := vcc -> io0
io32 := ( blast ) -> io32
      + (/blast ) -> io23

      ;***** Local bus Timeout *****
      ;8us minimum timeout on squall cycles.

STATE MEALY_MACHINE
DEFAULT_BRANCH HOLD_STATE
time0 = t1 * t0
time1 = t1 * /t0
time2 = /t1 * /t0
time3 = /t1 * t0

time0 := (/selsq0)           -> time1
time1 := (/readyin)         -> time0
      + ( refclk * /refclkd) -> time2
time2 := (/readyin)         -> time0
      + ( refclk * /refclkd) -> time3
time3 := (/readyin)         -> time0

```


Table A-1. DRAM Controller EPX780 PLDshell File (Sheet 6 of 12)

```

;***** DRAM Control *****
STATE MEALY_MACHINE
DEFAULT_BRANCH s0
s0 = ref * ras0 * ras2 * /st2 * /st1 * st0
s1 = ref * /ras0 * /ras2 * /st2 * /st1 * st0
s2 = ref * /ras0 * /ras2 * /st2 * /st1 * /st0
s3 = ref * /ras0 * /ras2 * /st2 * st1 * /st0
s4 = ref * /ras0 * /ras2 * /st2 * st1 * st0
s5 = ref * ras0 * ras2 * /st2 * /st1 * /st0
s5a = ref * ras0 * ras2 * st2 * /st1 * /st0
s6 = /ref * ras0 * ras2 * /st2 * /st1 * st0
s7 = /ref * ras0 * ras2 * /st2 * /st1 * /st0
s8 = /ref * /ras0 * /ras2 * /st2 * /st1 * /st0
s9 = /ref * /ras0 * /ras2 * st2 * /st1 * /st0
s10 = /ref * /ras0 * /ras2 * st2 * /st1 * st0

s0 := (/refpend) -> s6
+ ( reffend * /ads * seldram */(pf0)) -> s1
+ ( reffend * /mempend */(pf0)) -> s1
+ ( reffend * /ads * seldram * (pf0)) -> s2
+ ( reffend * /mempend * (pf0)) -> s2

s1 := vcc -> s2
s2 := (pf2 * /w_r) -> s3
+ (pf2 * w_r) -> s4
+ (pf3 * /w_r) -> s3
+ (pf3 * w_r) -> s4
+ (pf1) -> s4
+ (pf0) -> s4

s3 := vcc -> s4
s4 := ( blast * /w_r * extend * (pf0)) -> s4 ;AP ok
+ ( blast * /w_r * extend * pf1) -> s4
+ ( blast * /w_r * extend * pf2) -> s3
+ ( blast * /w_r * extend * pf3) -> s3
+ ( blast * w_r ) -> s3 ;AP ok
+ (/blast * extend * (pf0)) -> s0 ;AP ok
+ (/blast * extend * pf1) -> s5
+ (/blast * extend * pf2) -> s5
+ (/blast * w_r * pf3) -> s5a
+ (/blast * /w_r * extend * pf3) -> s5
+ (/extend * /w_r) -> s4

s5a := vcc -> s5
s5 := vcc -> s0
s6 := vcc -> s7 ;refresh
s7 := vcc -> s8 ;refresh
s8 := vcc -> s9 ;refresh
s9 := vcc -> s10 ;refresh
s10 := vcc -> s5 ;refresh

```

Table A-1. DRAM Controller EPX780 PLDshell File (Sheet 7 of 12)

```

;***** Deadlock State Machine *****
STATE MEALY_MACHINE
DEFAULT_BRANCH sIDLE

;state assignments
sIDLE = irqddl * /d1 * /d0
sB = /irqddl * /d1 * /d0
sC = /irqddl * /d1 * d0
sD = /irqddl * d1 * /d0
sE = irqddl * d1 * /d0
sF = irqddl * d1 * d0

;state transitions
sIDLE := (/breqo ) -> sIDLE ; waiting for BREQo=1
+ ( breqo * Jx ) -> sB ; start only if Jx processor
sB := vcc -> sC ; \
sC := vcc -> sD ; > IRQDDL active for 3 clks
sD := vcc -> sE ; /
sE := ( blast ) -> sE ; set READY=0, wait for BLAST=0
+ (/blast ) -> sF
sF := ( breqo ) -> sF ; waiting for BREQo=0 before
+ (/breqo ) -> sIDLE ; rearming state machine

EQUATIONS ;***** FF Control *****
ras0.clkf = pclk ras2.clkf = pclk
casen.clkf=pclk incbank.clkf= pclk
banksel.clkf=pclk ma0a.clkf=pclk ma0b.clkf=pclk
dwe.clkf=pclk ready.clkf=pclk hold.clkf=pclk
sqbg0.clkf=pclk pcihlda.clkf=pclk rdyen.clkf=pclk st0.clkf=pclk
bss0.clkf=pclk mempend.clkf=pclk st1.clkf = pclk st2.clkf = pclk
rdyen.clkf = pclk

ios4.clkf = pclk ios3.clkf = pclk ios2.clkf = pclk
ios1.clkf = pclk ios0.clkf = pclk
zrd.clkf = pclk zwr.clkf = pclk
ior.clkf = pclk iow.clkf = pclk
t1.clkf = pclk t0.clkf = pclk
selio.clkf = pclk selcio.clkf = pclk
seluart.clkf=pclk selpmrom.clkf=pclk selfrom0.clkf=pclk
selpp.clkf=pclk selsq0.clkf=pclk selfrom1.clkf=pclk

st0.setf = /rst st1.rstf = /rst st2.rstf = /rst
ras0.setf = /rst ras2.setf = /rst ref.setf = /rst

ios4.setf = /rst ios3.setf = /rst ios2.setf = /rst
ios1.setf = /rst ios0.setf = /rst
t1.setf = /rst t0.setf = /rst

irqddl.clkf = pclk boff.clkf = pclk
irqddl.setf = /rst boff.setf = /rst

```

Table A-1. DRAM Controller EPX780 PLDshell File (Sheet 8 of 12)

```

d0.clkf = pclk          dl.clkf = pclk
d0.rstf = /rst          dl.rstf = /rst

altREADY.clkf = pclk    altrDYEN.clkf = pclk
altREADY.setf = /rst    altrDYEN.rstf = /rst

BOOTRD0.clkf = pclk
BOOTRD1.clkf = pclk

;***** Deadlock Equations *****
/altREADY := sD
           + sE * blast
altREADY.trst = altrDYEN
altrDYEN := sC + sD + sE
/boff := Cx * breqo
         + Cx * /breqo * /boff * pcihold

;***** Select Signals *****
/selio    := /ads * selb                                ;Bxxxxxxx
           + /ads * self * /swaprom                    ;Fxxxxxxx
           + /ads * sele * swaprom                      ;Exxxxxxx
           + /ads * seld                                ;Dxxxxxxx
           + /ads * sel4_7 * /pciinstall
           + /ads * sel8_9 * /pciinstall
           + /selio * /(blast * /ready) * rst

/selcio := /ads * selb */a19 * a18                      ;b4000000
         + /selio * selb */a19 * a18 * ready

/seluart:= /ads * selb */a19 * /a18                    ;b0000000
         + /selio * selb */a19 * /a18 * ready

/selpp  := /ads * selb * a19 * /a18                    ;b8000000
         + /selio * selb * a19 * /a18 * ready

/selprmrom:= swaprom * /ads * self * rst ;f0000000
            + swaprom * /selprmrom * self * ready * rst
            + swaprom * /ads * sel0_3 * rst ;00000000
            + swaprom * /selprmrom * sel0_3 * ready * rst
            +/swaprom * /ads * sele * rst ;e0000000
            +/selprmrom */(blast * /ready) * rst

/selfrom0:= swaprom * /ads * sele */a18                ;e0000000
            + swaprom * /selio * sele */a18 * ready
            +/swaprom * /ads * self */a18                ;f0000000
            +/swaprom * /selio * self */a18 * ready
            +/swaprom * /ads * sel0_3 */a18                ;00000000
            +/swaprom * /selio * sel0_3 */a18 * ready

```

Table A-1. DRAM Controller EPX780 PLDshell File (Sheet 9 of 12)

```

/selfrom1:= swaprom * /ads * sele * a18 ;e0040000
+ swaprom * /selio * sele * a18 * ready
+/swaprom * /ads * self * a18 ;f0040000
+/swaprom * /selio * self * a18 * ready
+/swaprom * /ads * sel0_3 * a18 ;00040000
+/swaprom * /selio * sel0_3 * a18 * ready
+ /selfrom1 * BOOTRD1 * blast * rst

/selsq0 := /ads * selc * rst ;c0000000
+ /selsq0 * /(blast * /readyin) * rst

BOOTRD0 := /rst ; set if Cx or Hx
+ rst * BOOTRD0 * ads * /pt2 * pt1 ; hold til 1st ads

BOOTRD1 := rst * BOOTRD0 * /ads * /pt2 * pt1 ; set at ads
+ rst * BOOTRD1 * blast * /pt2 * pt1 ; hold til 1st blast

;*****I/O control equatons *****
/zrd := /rst
+ /selcio * /w_r * io2 * rst
+ /selcio * /w_r * io3 * rst
+ /selcio * /w_r * /zrd * ready * rst

/zwr := /rst
+ /selcio * w_r * io2 * rst
+ /selcio * w_r * io3 * rst
+ /selcio * w_r * /zwr * ready * rdyen * rst

/ior := /selio * selcio * /w_r * ready * rst
+ /selpmrom * /w_r * ready * rst
+ /selio * selcio * /w_r * /ready * BOOTRD1 * blast * rst
+ /selpmrom * /w_r * /ready * BOOTRD1 * blast * rst

/iow := /selio * selcio * w_r * ready * rdyen * rst
+ /selpmrom * w_r * ready * rdyen * rst

/irquartn= irquart
;***** Configuration Terms *****
sx = /pt2 * /pt1 * /pt0 * /holda ;i960Sx
selmux = freq2 */freq1 * freq0 ; 33MHz
+ freq2 * freq1 * /freq0 ; 40MHz
+ freq2 * freq1 * freq0 ; 50MHz
;*****DRAM Control *****
/mempend := mempend * /ads * seldram * rst
+ /mempend * /(blast * /ready) * rst ;hold till rdy

mempend.setf = /rst
/mux := /ras0 * rst
/muxalt := /ras0 * rst
mux.clkf = /pclk
    
```

Table A-1. DRAM Controller EPX780 PLDshell File (Sheet 10 of 12)

```

mux.trst      = /selmux      ;MUX tri-stated when operating @ >=33MHz
muxalt.clkf   = pclk
muxalt.trst   = selmux

/casen        := s0 * /ads * seldram * (pf0) * reffend
              + s0 * /mempend * (pf0) * reffend
              + s1
              + s2 * /w_r * pf2
              + s2 * /w_r * pf3
              + s2 * ((pf0) + (pf1)) * /w_r
              + s3 * /w_r
              + s4 * blast
              + s4 * /extend * /w_r * /blast

/incbank      := s0 * /ads * seldram * (pf0) * reffend * extend ; JX ok
              + s0 * /mempend * (pf0) * reffend * extend      ; JX ok
              + s1 * /((pf2) + (pf3)) * /w_r * blast * extend ; JX ok
              + s1 * w_r * blast * extend                      ; "
              + s2 * /w_r * blast * extend                      ; "
              + s3 * /((pf2) + (pf3)) * /w_r * blast * extend ; 1st term
                                                         ; =1 w/
                                                         ; pf0=1
              + s4 * blast * extend                            ; "

/ready        := s2 * (pf0)
              + s2 * pf1
              + s2 * pf2 * w_r
              + s2 * pf3 * w_r
              + s3
              + s4 * (pf0) * /w_r * blast
              + s4 * pf1 * /w_r * blast
              + s4 * /w_r * /blast * /extend
              + io21
              + io32

ready.trst    = /rdyen

/rdyen        := s1 + s2 + s3 + s4
              + io20 + io21 + io22 + io32

/dwe          := w_r * ref

ma0a.d        := ras0 * /a3 * a2 ; a[3:2] = 01
              + ras0 * a3 * /a2 ; " = 10
              + /ras0 * /ma0b * banksel * bss0 * /ready
              + /ras0 * ma0a * /banksel
              + /ras0 * ma0a * /bss0
              + /ras0 * ma0a * ready

```

Table A-1. DRAM Controller EPX780 PLDshell File (Sheet 11 of 12)

```

ma0b.d := ras0 * a3 * /a2 ; a[3:2] = 10
+ ras0 * a3 * a2 " = 11
+ /ras0 * ma0a * /banksel * bss0 * /ready
+ /ras0 * ma0b * banksel
+ /ras0 * ma0b * /bss0
+ /ras0 * ma0b * ready

ma0a.rstf = /rst ma0b.rstf = /rst
ma0a.trst = /muxin ;output enable active with MUX or MUXALT low
ma0b.trst = /muxin ;muxin low when MUX or MUXALT is low

;***** DRAM Bank Select *****

/banksel.d:= /ads * mempend * /sx * /a2 * rst ; JX ok
+ /ads * mempend * sx * /a2 * /a1 * rst
+ /ads * mempend * sx * /a2 * a1 * rst
+ /mempend * incbank * /banksel * rst ;hold JX ok
+ /mempend * /incbank * /banksel * rst * /extend ;hold
+ /mempend * /incbank * /banksel * /bss0 * rst * extend
;bs0->bs1
+ /mempend * /incbank * banksel * bss0 * rst * extend ; JX ok
; /\ ;bs3->bs0
||
; oscillates with incbank low

;bs3->bs1 /sx

;bs3->bs1 /sx
/bss0.d := /ads * sx * /a2 * /a1 * rst
+ /ads * sx * a2 * /a1 * rst
+ ads * sx * incbank * /bss0 * rst ;hold
+ ads * sx * /incbank * /bss0 * rst * /extend ;hold
+ ads * sx * /incbank * /banksel * bss0 * rst * extend
;bs1 ->bs2
+ ads * sx * /incbank * banksel * bss0 * rst * extend
;bs3 ->bs0

banksel.setf = /rst bss0.setf = /rst

;***** DRAM Refresh *****
/refsync := refc5 ;sync 4MHz count w/ pclock
/refclk := refsclk
/refclkd := /refclk
/refpend := refclk * /refclkd * rst ;set
+ /refpend * ref * rst ;reset with ref

refc0.t := vcc ;refresh counter 16us
refc1.t := refc0
refc2.t := refc0 * refc1
refc3.t := refc0 * refc1 * refc2
refc4.t := refc0 * refc1 * refc2 * refc3

```

Table A-1. DRAM Controller EPX780 PLDshell File (Sheet 12 of 12)

```

refc5.t := refc0 * refc1 * refc2 * refc3 * refc4
refc0.aclk = clk4  refc1.aclk = clk4  refc2.aclk = clk4
refc3.aclk = clk4  refc4.aclk = clk4  refc5.aclk = clk4
refsync.clkf=pclk  refclk.clkf= pclk  refclkd.clkf=pclk
refpend.clkf=pclk  ref.clkf   = pclk

;***** Arbitration *****
hold := pcihold * /holda * lock ;hold may not be asserted
+ pcihold * holda ;if lock is active, but
+ /sqbr0 * /holda * lock ;lock maybe asserted by
+ /sqbr0 * holda ;SQUALL masters once they
;are granted the bus.
/sqbg0 := holda * hold * /sqbr0 * /pciholda
+ /sqbg0 * /sqbr0 * holda

pciholda := holda * hold * pcihold * sqbr0 * sqbg0
+ pciholda * pcihold * holda
+ pcihold * /boff

;***** 4 MHz clock *****
clk8.t := vcc
clk8.clkf = clk16
clk4.t := vcc
clk4.aclk = clk8
;***** CIO T recovery *****
;Delay 1000ns for trc on the 8536
/ciotrc := /selcio * /ready * rst ;set
+ /ciotrc * synctrc * rst ;hold/reset

/synctrc := /ciotrc * /count1 * count0 * rst ;assert

ciotrc.clkf = pclk
synctrc.clkf = pclk

/count1 := /ciotrc * count1 * /count0 * rst ;10 -> 00
+ /ciotrc * /count1 * /count0 * rst ;00 -> 01

/count0 := /ciotrc * count1 * count0 * rst ;11 -> 10
+ /ciotrc * count1 * /count0 * rst ;10 -> 00

count1.aclk = clk4
count0.aclk = clk4
count1.setf = /synctrc * ciotrc
count0.setf = /synctrc * ciotrc

```

Table A-2. DRAM Controller PAL20V8 PLDshell File (Sheet 1 of 2)

TITLE	Private DRAM Control			
PATTERN				
REVISION	D600A			
AUTHOR	J. Smith			
COMPANY	Cyclone			
DATE	06-14-94			
CHIP	CASEN PAL20V8			
PIN	1	pclk		;INP: system clock
PIN	2	ready		;INP: ;plcc pin 3
PIN	3	casen		;INP: ;plcc pin 4
PIN	4	banksel		;INP: ;plcc pin 5
PIN	5	blast		;INP: ;plcc pin 6
PIN	6	be3		;INP: ;plcc pin 7
PIN	7	be2		;INP: ;plcc pin 9
PIN	8	be1		;INP: ;plcc pin 10
PIN	9	be0		;INP: ;plcc pin 11
PIN	10	ref		;INP: ;plcc pin 12
PIN	11	nc		;INP: ;plcc pin 13
PIN	12	gnd		;plcc pin 14
PIN	13	oe		;plcc pin 16
PIN	14	nc	;OUT:	;plcc pin 17
PIN	15	casb0	REG ;OUT:	;plcc pin 18
PIN	16	casb1	REG ;OUT:	;plcc pin 19
PIN	17	casb2	REG ;OUT:	;plcc pin 20
PIN	18	casb3	REG ;OUT:	;plcc pin 21
PIN	19	casa0	REG ;OUT:	;plcc pin 23
PIN	20	casa1	REG ;OUT:	;plcc pin 24
PIN	21	casa2	REG ;OUT:	;plcc pin 25
PIN	22	casa3	REG ;OUT:	;plcc pin 26
PIN	23	nc		;plcc pin 27
PIN	24	vcc		

Table A-2. DRAM Controller PAL20V8 PLDshell File (Sheet 2 of 2)

EQUATIONS

```
/casa0 := /casen * /be0 * /banksel * (/blast * /ready)
+ /ref
/casa1 := /casen * /be1 * /banksel * (/blast * /ready)
+ /ref
/casa2 := /casen * /be2 * /banksel * (/blast * /ready)
+ /ref
/casa3 := /casen * /be3 * /banksel * (/blast * /ready)
+ /ref

/casb0 := /casen * /be0 * banksel * (/blast * /ready)
+ /ref
/casb1 := /casen * /be1 * banksel * (/blast * /ready)
+ /ref
/casb2 := /casen * /be2 * banksel * (/blast * /ready)
+ /ref
/casb3 := /casen * /be3 * banksel * (/blast * /ready)
+ /ref
```



**APPENDIX B
PLD EQUATIONS**

Table B-1 contains the PLD equations used to build the SAR controller, implemented in an AMD* MACH210* PLD. The PLD equations were created in MACHXL.

Table B-1. SAR Controller MACH210, MACHXL File (Sheet 1 of 6)

TITLE	NEC-SAR (uPD98401) Control		
PATTERN	H601		
REVISION	A		
AUTHOR	Joe Niedermeyer		
COMPANY	Cyclone		
DATE	6-06-95		
CHIP	H601	MACH210	;(-12nS tPD req'd for SARRDYn)
PIN	35	PCLK	;INP: system clock.
PIN	7	RESETn	;INP: system reset.
PIN	19	SELSQn	;INP: squall region decode.
PIN	14	SARATTn	;INP: SAR bus request.
PIN	3	SQBGNn	;INP: squall bus grant.
PIN	13	SIZE2	;INP: SAR burst length MSB.
PIN	11	SIZE1	;INP: SAR burst length bit.
PIN	10	SIZE0	;INP: SAR burst length LSB.
PIN	5	SARDWRn	;INP: SAR dr/w* (master rd/wr*).
PIN	33	PHYCSn	;INP: FRAMER chip select.
PIN	32	PHYWRn	;INP: FRAMER read/write*.
PIN	2	READYpinn	REG ;OUT: i960 ready*.
PIN	6	SARASELn	REG ;OUT: SAR asel*.
PIN	41	SARSELn	REG ;OUT: SAR sel*.
PIN	36	SARSWRn	REG ;OUT: SAR sr/w* (slave rd/wr*).
PIN	25	SQBREQn	REG ;OUT: squall bus request.
PIN	30	SARGNTn	REG ;OUT: SAR bus grant.
PIN	4	BLASTpinn	REG ;OUT: blast* when SAR is bus master.
PIN	16	ADSpinn	REG ;OUT: ads* when SAR is bus master.
PIN	21	CPUWRpin	REG ;OUT: w/r* when SAR is bus master.
PIN	24	SARRDYn	COMB ;OUT: SAR rdy*.
PIN	18	BE0n	COMB ;OUT: be0* when SAR is bus master.
PIN	20	BE1n	COMB ;OUT: be1* when SAR is bus master.
PIN	28	BE2n	COMB ;OUT: be2* when SAR is bus master.
PIN	38	BE3n	COMB ;OUT: be3* when SAR is bus master.
PIN	26	AOEBAn	REG ;OUT: ADDR XCVR control, master direction.
PIN	40	ACLKENn	REG ;OUT: ADDR XCVR clock enable, master direction.
PIN	42	AOEABn	REG ;OUT: ADDR XCVR control, slave direction.
PIN	43	DOEABn	REG ;OUT: DATA XCVR control, slave write direction.
PIN	17	DOEBAn	REG ;OUT: DATA XCVR control, slave read direction.
PIN	15	DCLKENn	COMB ;OUT: DATA XCVR clock enable, master read dir.
PIN	37	DLEABn	REG ;OUT: DATA XCVR latch enable, master write dir.
PIN	39	PHYALE	REG ;OUT: FRAMER address latch enable.

Table B-1. SAR Controller MACH210, MACHXL File (Sheet 2 of 6)

```

NODE 2  READYn    REG PAIR  READYpinn
NODE 28 ADSn      REG PAIR  ADSpinn
NODE 6  BLASTn   REG PAIR  BLASTpinn
NODE 18 CPUWR    REG PAIR  CPUWRpin

NODE 23 RDYENn   REG ;BRY: ready pin enable.
NODE 11 CNT3     REG ;BRY: burst count MSB.
NODE 7  CNT2     REG ;BRY: burst count bit.
NODE 4  CNT1     REG ;BRY: burst count bit.
NODE 15 CNT0     REG ;BRY: burst count LSB.
NODE 3  SARRDY0  REG ;BRY: ready*, one clock delayed.

NODE 14,39 slv[1..0] REG ;BRY: slave states.
NODE 35,22 mst[1..0] REG ;BRY: master states.

;*****;
;*** Slave State Assignments ***;
;*****;

STRING  WAIT  ` #b11 `
STRING  A     ` #b01 `
STRING  B     ` #b00 `
STRING  C     ` #b10 `

STRING  sWAIT ` slv[1] * slv[0] `
STRING  sA    ` /slv[1] * slv[0] `
STRING  sB    ` /slv[1] * /slv[0] `
STRING  sC    ` slv[1] * /slv[0] `

;*****;
;*** Master State Assignments ***;
;*****;

STRING  M0  ` #b11 `
STRING  M1  ` #b01 `
STRING  M2  ` #b00 `
STRING  M3  ` #b10 `

STRING  sM0 ` mst[1] * mst[0] `
STRING  sM1 ` /mst[1] * mst[0] `
STRING  sM2 ` /mst[1] * /mst[0] `
STRING  sM3 ` mst[1] * /mst[0] `

GROUP ff slv[1..0] mst[1..0] READYn RDYENn
      SARASELn SARSELn SARSWRn SQBREQn SARGNTn
      AOEBAn AOEBAn ACLKENn DOEABn DOEABn DLEABn
      ADSn CPUWR SARRDY0 BLASTn PHYALE
      CNT3 CNT2 CNT1 CNT0

EQUATIONS

ff.CLKF = PCLK
ff.RSTF = GND
ff.SETF = GND

```

Table B-1. SAR Controller MACH210, MACHXL File (Sheet 3 of 6)

```

;*****;
;*** Slave State Transitions ***;
;*****;

IF (/RESETh)
THEN BEGIN slv[1..0] = WAIT END
ELSE BEGIN CASE (slv[1..0])
BEGIN
WAIT: BEGIN IF (SELSQn)
THEN BEGIN slv[1..0] = WAIT END
ELSE BEGIN slv[1..0] = A END
END
A: BEGIN slv[1..0] = B END
B: BEGIN slv[1..0] = C END
C: BEGIN slv[1..0] = WAIT END
END
END

;*****;
;*** Ready Generation ***;
;*****;

READYn := /( sB )

READYpinn := { READYn }

READYpinn.TRST = /RDYENn

/RDYENn := /SELSQn

;*****;
;*** SAR Slave Equations ***;
;*****;

/SARASELn := sWAIT * /SELSQn

/SARSELn := sWAIT * /SELSQn
+ sA

/SARSWRn := sWAIT * /SELSQn * CPUWRpin

```

Table B-1. SAR Controller MACH210, MACHXL File (Sheet 4 of 6)

```

;*****;
;*** Address & Data Buffer Control ***;
;*****;

/AOEABn := sWAIT * /SELSQn           ; SAR Slave direction

/AOEABn := sM1 + sM2 + sM3           ; SAR Master direction

/ACLKENn := sM1                       ; SAR Master direction

/DOEABn := sA * CPUWRpin             ; SAR Slave Write
          + sM3 * SARDWRn           ; SAR Master Read

/DOEBAn := sB * /CPUWRpin            ; SAR Slave Read
          + sM3 * /SARDWRn          ; SAR Master Write

/DCLKENn = /READYpinn * /SQBGNTn * SARDWRn ; SAR Master Read Only

/DLEABn := sM3 * SARDWRn            ; SAR Master Read Only

;*****;
;*** Master State Transitions ***;
;*****;

IF (/RESEtN)
THEN BEGIN mst[1..0] = M0 END
ELSE BEGIN CASE (mst[1..0])
BEGIN
M0: BEGIN IF (/SQBGNTn * /SARATTNn)
      THEN BEGIN mst[1..0] = M1 END
      ELSE BEGIN mst[1..0] = M0 END
      END
M1: BEGIN mst[1..0] = M2 END
M2: BEGIN mst[1..0] = M3 END
M3: BEGIN IF (/BLASTn * /READYpinn)
      THEN BEGIN mst[1..0] = M0 END
      ELSE BEGIN mst[1..0] = M3 END
      END
END
END
END

;*****;
;*** Arbitration Equations ***;
;*****;

/SQBREQn := /SARATTNn * RESEtN

/SARGNTn := /SQBGNTn * /SQBREQn * /SARATTNn * RESEtN

```

Table B-1. SAR Controller MACH210, MACHXL File (Sheet 5 of 6)

```

;*****;
;*** Blast Generation ***;
;*****;

; Burst counter needed to generate BLASTn.
; SAR indicates burst length (encoded) on SIZE<2,1,0> pins.
; Counter loaded with (SIZE - 1) at ADS*.
; Counter decrements with each READY*.
; BLASTn asserted when (CNT = 1) and (READY* = 0).

CNT3 := /ADSn * SIZE2 * /SIZE1 * /SIZE0 ; LOAD
+ ADSn * READYpinn * CNT3 ; HOLD
+ ADSn * /READYpinn * CNT3 * CNT2 * CNT1 * CNT0 ; DOWN
+ ADSn * /READYpinn * CNT3 * CNT2 * CNT1 * /CNT0 ; DOWN
+ ADSn * /READYpinn * CNT3 * CNT2 * /CNT1 * CNT0 ; DOWN
+ ADSn * /READYpinn * CNT3 * CNT2 * /CNT1 * /CNT0 ; DOWN
+ ADSn * /READYpinn * CNT3 * /CNT2 * CNT1 * CNT0 ; DOWN
+ ADSn * /READYpinn * CNT3 * /CNT2 * CNT1 * /CNT0 ; DOWN
+ ADSn * /READYpinn * CNT3 * /CNT2 * /CNT1 * CNT0 ; DOWN
+ ADSn * /READYpinn * /CNT3 * /CNT2 * /CNT1 * /CNT0 ; DOWN

CNT2 := /ADSn * SIZE2 * /SIZE1 * /SIZE0 ; LOAD
+ /ADSn * /SIZE2 * SIZE1 * SIZE0 ; LOAD
+ ADSn * READYpinn * CNT2 ; HOLD
+ ADSn * /READYpinn * CNT2 * CNT1 * CNT0 ; DOWN
+ ADSn * /READYpinn * CNT2 * CNT1 * /CNT0 ; DOWN
+ ADSn * /READYpinn * CNT2 * /CNT1 * CNT0 ; DOWN
+ ADSn * /READYpinn * /CNT2 * /CNT1 * /CNT0 ; DOWN

CNT1 := /ADSn * SIZE2 * /SIZE1 * /SIZE0 ; LOAD
+ /ADSn * /SIZE2 * SIZE1 * SIZE0 ; LOAD
+ /ADSn * /SIZE2 * SIZE1 * /SIZE0 ; LOAD
+ ADSn * READYpinn * CNT1 ; HOLD
+ ADSn * /READYpinn * CNT1 * CNT0 ; DOWN
+ ADSn * /READYpinn * /CNT1 * /CNT0 ; DOWN

CNT0 := /ADSn * SIZE2 * /SIZE1 * /SIZE0 ; LOAD
+ /ADSn * /SIZE2 * SIZE1 * SIZE0 ; LOAD
+ /ADSn * /SIZE2 * SIZE1 * /SIZE0 ; LOAD
+ /ADSn * /SIZE2 * /SIZE1 * SIZE0 ; LOAD
+ ADSn * READYpinn * CNT0 ; HOLD
+ ADSn * /READYpinn * /CNT0 ; DOWN

BLASTn := /( /ADSn * /SIZE2 * /SIZE1 * /SIZE0 * RESETn
+ /READYpinn * /CNT3 * /CNT2 * /CNT1 * CNT0 * RESETn
+ /BLASTn * READYpinn * * RESETn )

BLASTpinn := { BLASTn }
BLASTpinn.TRST = /SQBGNTn

```

Table B-1. SAR Controller MACH210, MACHXL File (Sheet 6 of 6)

```

;*****;
;*** SAR Master Equations ***;
;*****;

    ADSn := /( sM2 )
    ADSpinn := { ADSn }
    ADSpinn.TRST = /SQBGNTn

    CPUWR := /SARDWRn
    CPUWRpin := { CPUWR }
    CPUWRpin.TRST = /SQBGNTn

    /SARRDY0 := /READYpinn

    /SARRDYn = /SARRDY0 * /SQBGNTn * SARDWRn ; READs pipelined
              + /READYpinn * /SQBGNTn * /SARDWRn ; WRITes normal

    /BE0n = VCC
    /BE1n = VCC
    /BE2n = VCC
    /BE3n = VCC

    BE0n.TRST = /SQBGNTn
    BE1n.TRST = /SQBGNTn
    BE2n.TRST = /SQBGNTn
    BE3n.TRST = /SQBGNTn

;*****;
;*** Physical I/F Equations ***;
;*****;

; SAR only holds a valid address for the 1st 6 clocks of a PHY read cycle.
; PHY write cycle works OK, as-is.
; PHY has an active HI ALE input available.
; ALE is held HI for write cycles and pulled LO during reads to latch addr.

    PHYALE := /( /PHYCSn * PHYWRn )

;*****;
;*** End Of H601 ***;
;*****;

```

