



**AP-706**

**APPLICATION  
NOTE**

**DRAM Controller for 40 MHz  
i960<sup>®</sup> CA/CF Microprocessors**

**Sailesh Bissessur**  
SPG EPD 80960 Applications Engineer

Intel Corporation  
Embedded Processor Division  
Mail Stop CH5-233  
5000 W. Chandler Blvd.  
Chandler, Arizona 85226

February 2, 1995

Order Number: 272655-001



Information in this document is provided solely to enable use of Intel products. Intel assumes no liability whatsoever, including infringement of any patent or copyright, for sale and use of Intel products except as provided in Intel's Terms and Conditions of Sale for such products.

Intel Corporation makes no warranty for the use of its products and assumes no responsibility for any errors which may appear in this document nor does it make a commitment to update the information contained herein.

Intel retains the right to make changes to these specifications at any time, without notice.

Contact your local Intel sales office or your distributor to obtain the latest specifications before placing your product order.

MDS is an ordering code only and is not used as a product name or trademark of Intel Corporation.

Intel Corporation and Intel's FASTPATH are not affiliated with Kinetics, a division of Excelan, Inc. or its FASTPATH trademark or products.

\*Other brands and names are the property of their respective owners.

Additional copies of this document or other Intel literature may be obtained from:

Intel Corporation  
Literature Sales  
P.O. Box 7641  
Mt. Prospect, IL 60056-7641  
or call 1-800-879-4683

© INTEL CORPORATION 1995

**DRAM CONTROLLER FOR 40 MHZ I960<sup>®</sup> CF MICROPROCESSORS**

1.0	INTRODUCTION.....	1
2.0	OVERVIEW .....	1
2.1	Page Mode DRAM SIMM Review .....	1
2.2	Bank Interleaving.....	1
2.3	Burst Capabilities for 32-Bit Bus.....	1
3.0	DRAM CONTROLLER OVERVIEW .....	2
3.1	Control Logic .....	2
3.1.1	Refresh Logic .....	3
3.1.2	Clock Generation .....	3
3.1.3	Wait State Profile .....	3
3.2	Address Path.....	3
3.3	Data Path.....	4
3.4	SIMMS.....	4
4.0	STATE MACHINES AND SIGNALS.....	4
4.1	ACCESS State Machine.....	4
4.2	PENDING State Machine .....	5
4.3	ODDACCESS State Machine.....	5
4.4	BANKSELA State Machine.....	5
4.5	BANKSELB State Machine.....	5
4.6	ADDRMUX State Machine .....	5
4.7	A3EVEN State Machine .....	5
4.8	A3ODD State Machine .....	5
4.9	RFEVENBK State Machine .....	5
4.10	CASPIPE State Machine.....	5
4.11	CASPIPO State Machine.....	5
4.12	CASE_B[3:0] State Machines.....	5
4.13	CASO_B[3:0] State Machines .....	6
4.14	REFREQ Signal.....	6
4.15	RASEVEN State Machine .....	6
4.16	RASODD State Machine .....	6
4.17	SRASE State Machine .....	6
4.18	RDEN Signal .....	6
4.19	WRE Signal .....	6
4.20	WRO Signal.....	6

5.0	DRAM CONTROLLER ACCESS FLOW .....	6
5.1	Quad-Word Read .....	7
5.2	Single-Word Read .....	9
5.3	Quad-Word Write .....	9
5.4	Single-Word Write .....	11
5.5	Refresh Cycles .....	12
6.0	CONCLUSION .....	14
APPENDIX A		
	PLD EQUATIONS .....	A-1

**FIGURES**

Figure 1.	Two-Way Interleaving .....	1
Figure 2.	Quad-Word Access Example Showing ADS and BLAST Timings .....	2
Figure 3.	DRAM Controller Block Diagram .....	2
Figure 4.	Address Path Logic .....	3
Figure 5.	Data Path Logic .....	4
Figure 6.	Basic ACCESS State Machine .....	4
Figure 7.	Quad-Word Read State Diagram .....	7
Figure 8.	Quad-Word Read Timing Diagram .....	8
Figure 9.	Single-Word Read State Diagram (A2 = 1) .....	9
Figure 10.	Single-Word Read Timing Diagram (A2 = 1) .....	9
Figure 11.	Quad-Word Write State Diagram .....	10
Figure 12.	Quad-Word Write Timing Diagram .....	11
Figure 13.	Single-Word Write State Diagram (A2 = 1) .....	12
Figure 14.	Single-Word Write Timing Diagram (A2 = 1) .....	12
Figure 15.	Refresh State Diagram .....	13
Figure 16.	Refresh Timing Diagram .....	13

**TABLES**

Table 1.	Wait State Profiles .....	3
Table A-1.	40 MHz DRAM Controller PLD Equation .....	A-1
Table A-2.	Signal and Product Term Allocation .....	A-20



## 1.0 INTRODUCTION

This application note describes a DRAM controller for use with the i960<sup>®</sup> CF 40 MHz microprocessor. Other application notes are available which describe DRAM controllers for the i960 Cx and Jx processors; see Section 7.0, RELATED INFORMATION for ordering information.

This DRAM controller's design features include:

- Interleaved design
- Can use standard 70 ns DRAM SIMM
- 4-0-1-0/3-0-1-0 back-to-back/idle bus wait state burst reads up to 40 MHz
- 3-1-1-1/2-1-1-1 back-to-back/idle bus wait state burst writes up to 40 MHz
- Single clock input to state machines

This document contains some general DRAM controller theory as well as this design's state machine definitions and timing diagrams. It also contains the PLD equations used to build and test the prototype design. All timing analysis was verified with Timing Designer\*. PLD equations were generated in ABEL\* as a device-independent design. Schematics were created in OrCAD\*. The timing analysis, schematics and PLD files are available through Intel's America's Application Support BBS, at (916) 356-3600.

## 2.0 OVERVIEW

This section provides an overview of DRAM SIMM operation and the concept of memory interleaving. It also describes the i960 Cx microprocessor burst capabilities.

### 2.1 Page Mode DRAM SIMM Review

Page mode DRAM allows faster memory access by keeping the same row address while selecting random column addresses within that row. A new column address is selected by deasserting  $\overline{CAS}$  while keeping  $\overline{RAS}$  active and then asserting  $\overline{CAS}$  with the new column address valid to the DRAM. Page mode operation works very well with burst buses in which a single address cycle can be followed by multiple data cycles.

All  $\overline{WE}$  pins on each SIMM are tied to a common  $\overline{WE}$  line; this line requires the use of early write cycles. In an early write cycle, write data is referenced to the falling edge of  $\overline{CAS}$ , not the falling edge of  $\overline{WE}$ .

Each SIMM also has four  $\overline{CAS}$  lines, one for every eight (nine) bits in a 32-bit (36-bit) SIMM module. The four  $\overline{CAS}$  lines control the writing to individual bytes within each SIMM.

### 2.2 Bank Interleaving

Interleaving significantly improves memory system performance by overlapping accesses to consecutive addresses. Two-way interleaving is accomplished by dividing the memory into two 32-bit banks (also referred to as "leaves"):

- one bank for even word addresses ( $A_2=0$ )
- one bank for odd word addresses ( $A_2=1$ )

The two banks are read in parallel and the data from the two banks is multiplexed onto the processor's data bus. This overlaps the wait states of:

- the second access with the first
- the third access with the second
- the fourth access with the third

Figure 1 shows DRAM with a 2-1-1-1 quad word burst read wait state profile being interleaved to generate a 2-0-0-0 wait state system.

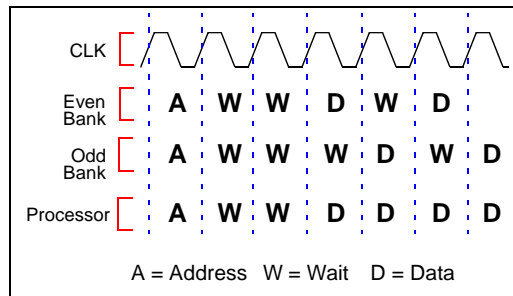


Figure 1. Two-Way Interleaving

### 2.3 Burst Capabilities for 32-Bit Bus

A bus access starts by asserting  $\overline{ADS}$  in the address cycle, and ends by asserting  $\overline{BLAST}$  in the last data cycle. Figure 2 shows  $\overline{ADS}$  and  $\overline{BLAST}$  timings for a quad-word access. i960 Cx processor's burst protocol requires:

- Quad-word and triple-word requests always start on quad word boundaries ( $A_3 = 0, A_2 = 0$ ).
- Double-word requests always start on double word boundaries ( $A_3 = X, A_2 = 0$ ).

- Single-word requests can start on any word boundary (A3 = X, A2 = X).
- Any request starting on an odd word boundary will never burst (A3 = X, A2 = 1).

This technique allows the state machine to use fewer states; therefore, fewer output bits.

### 3.0 DRAM CONTROLLER OVERVIEW

Figure 3 shows a block diagram of the DRAM Controller. The DRAM controller comprises four distinct blocks: control logic, address path, data path, and the DRAM SIMMS. This section describes each block.

### 3.1 Control Logic

The DRAM controller is centered around a four-bit state machine which controls DRAM bank accesses and refreshing. All timings are generated based on the four-bit state machine's outputs. Some states are used for both read and write accesses. The state machine uses the  $\overline{W\overline{R}}$  signal from the processor to distinguish between reads and writes.

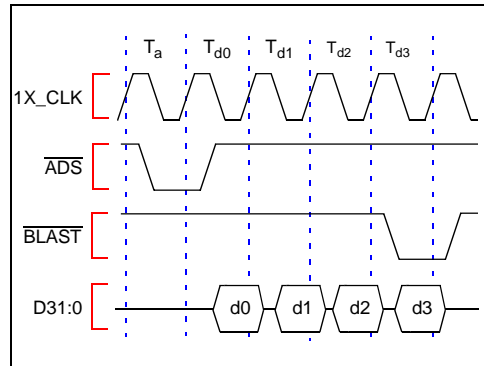


Figure 2. Quad-Word Access Example Showing  $\overline{ADS}$  and  $\overline{BLAST}$  Timings

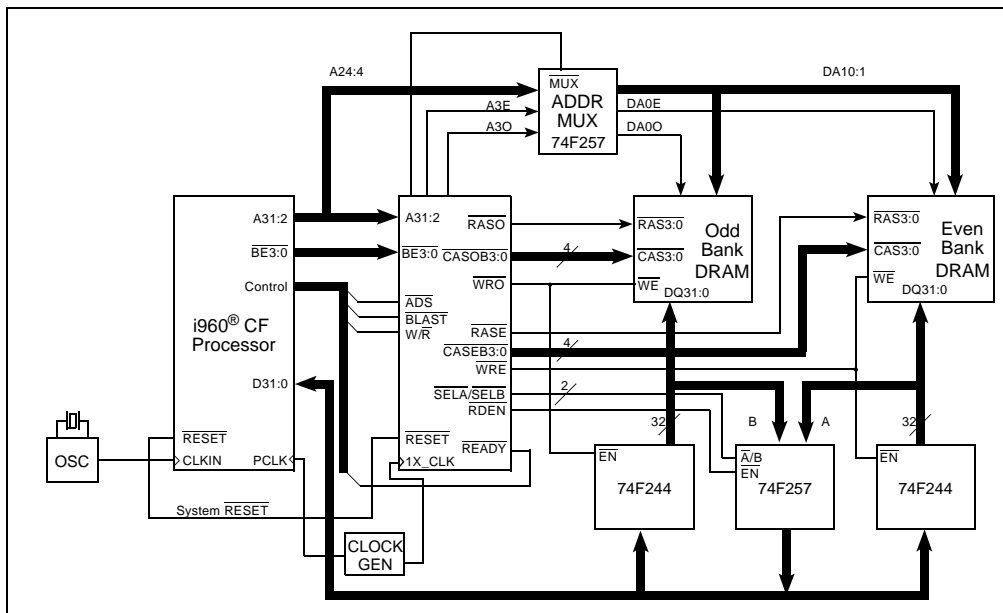


Figure 3. DRAM Controller Block Diagram



### 3.1.1 Refresh Logic

Typically DRAMs need to be refreshed every 15.6  $\mu$ s. In this design, due to power requirements needed to refresh an entire DRAM array, one bank is refreshed at a time. The DRAM controller uses an eight-bit counter to generate refresh requests. A refresh request is generated every 7.8  $\mu$ s. The DRAM controller toggles between refreshing each bank every 7.8  $\mu$ s which means each bank is effectively refreshed every 15.6  $\mu$ s.

A refresh request has priority over a processor request. When a processor and a refresh request occur simultaneously, the DRAM controller sequences a refresh to the appropriate DRAM bank while the PENDING state machine posts the processor request. The pending request is then serviced after the refresh is completed.

An eight-bit synchronous down counter is used to generate refresh requests. The counter is clocked using the 1X\_CLK clock. The  $\overline{\text{REFREQ}}$  signal is asserted each time the counter reaches zero. Counting is inhibited when the counter reaches zero. The counter is reloaded with 0xff and counting resumes after the ACCESS state machine services the refresh. During reset, the counter is loaded with 0xff.

### 3.1.2 Clock Generation

A Motorola\* MC88915 low skew CMOS PLL generates the clock signals for the DRAM controller. The MC88915 uses PCLK2 as an input, and produces four very low skew copies of PCLK2, as well as a 2x PCLK. At 40 MHz, the maximum skew between PCLK2 and any of the MC88915 outputs was calculated to be  $\pm 1$  ns, while the skew between any of the individual outputs is  $\pm 750$  ps under equal loading conditions. All clock lines are terminated with 22 ohm series resistors.

### 3.1.3 Wait State Profile

The DRAM Controller uses the processor's  $\overline{\text{READY}}$  signal to control wait states. The MCON register is initialized as follows: ( $N_{XAD} = N_{XDA} = N_{XDD} = N_{XDA} = 0$ ). Table 1, Wait State Profiles, provides the wait state profiles for read and write accesses up to 40 MHz.

Back-to-back accesses require an extra wait state to meet RAS precharge time. Therefore, to meet the RAS precharge time required, the first data access for reads uses four wait state cycles as opposed to three wait state cycles for idle bus DRAM accesses. For writes, the first data access uses

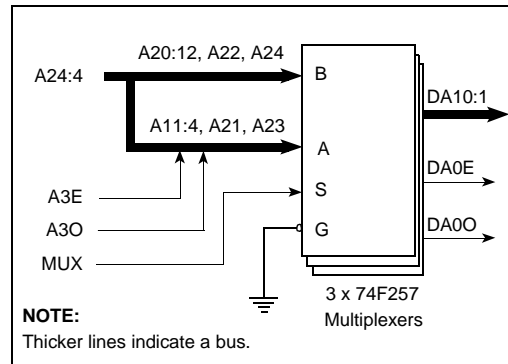
three wait state cycles for back-to-back accesses, as opposed to two wait state cycles for idle bus.

**Table 1. Wait State Profiles (40 MHz)**

Access Type	Wait State Profile	
	Back-To-Back	Idle Bus
Quad Word Read	4-0-1-0	3-0-1-0
Triple Word Read	4-0-1	3-0-1
Double Word Read	4-0	3-0
Single Word Read	4	3
Quad Word Write	3-1-1-1	2-1-1-1
Triple Word Write	3-1-1	2-1-1
Double Word Write	3-1	2-1
Single Word Write	3	2

### 3.2 Address Path

Figure 4 illustrates a block diagram of the address path logic. The 2-to-1 multiplexers combine the row and column addresses into a singular row/column address that the DRAM requires. DA0E and DA0O equivalent signals are generated, one for each bank. DA0E and DA0O are generated by using A3E and A3O respectively. DA0E and DA0O are the only address bits that increment during bursts. The timing of these signals during bursts is critical for proper operation.



**Figure 4. Address Path Logic**



### 3.3 Data Path

As shown in Figure 5, there is one data path for reads and a separate data path for writes. The read path uses 74F257 2:1 multiplexers to prevent contention between the two DRAM banks.  $\overline{CAS}$  can be active for both banks at the same time, necessitating use of the multiplexers. The multiplexer outputs are enabled only during reads by the  $\overline{RDEN}$  signal. The multiplexers are switched using  $\overline{SELA}$  and  $\overline{SELB}$ . These signals are derived based on the states of the ACCESS state machine and address A2. The write data path consists of eight 8-bit 74F244 buffers, four for each bank. The buffer outputs are enabled by  $\overline{WRE}$  and  $\overline{WRO}$ .

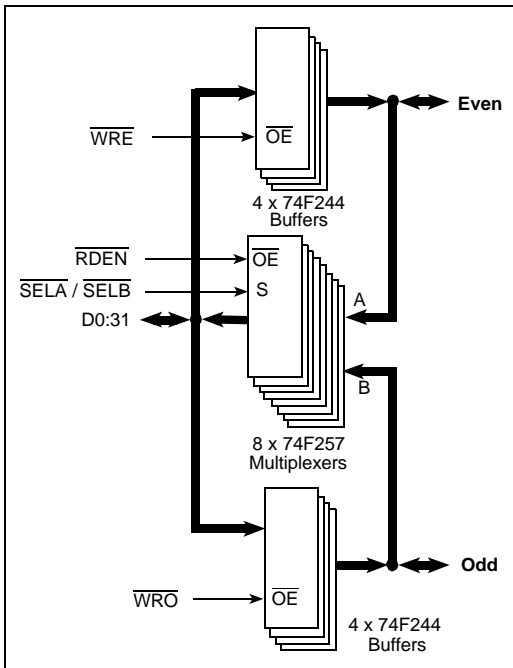


Figure 5. Data Path Logic

### 3.4 SIMMS

The SIMM block consists of two standard 72-pin SIMM sockets, arranged as two banks: odd and even. The x36 SIMM parity bits are not used in this design. The x36 SIMMs are standard for PCs and workstations, which makes them readily available. The only penalty is more address and control line loading due to the extra DRAM devices of the x36 SIMM. All address and control lines to the SIMMs are terminated with 22 ohm resistors.

### 4.0 STATE MACHINES AND SIGNALS

This section describes the state machines and signals used in this design. Most of the state machines are simple and the PLD equations can be referenced in APPENDIX A. The ACCESS state machine is the most complex of all the state machines; for that reason, this application note provides more detail on the operations of this state machine. In this design, all the state machines are clocked using 1X\_CLK clock (bus clock).

All PLD equations are written in ABEL. APPENDIX A, PLD EQUATIONS contains a listing of the PLD equation file. The state machine transitions described here follow the ABEL conventions for logic operators.

- ! represents NOT, bit-wise negation
- & represents AND
- # represents OR

To follow the ABEL conventions, active LOW signals (such as ADS) already have a polarity assigned. For example, in the state machines, ADS refers to the asserted state (LOW) and !ADS refers to the non-asserted state (HIGH).

#### 4.1 ACCESS State Machine

The ACCESS state machine, the “heart” of the DRAM controller, is implemented as a four-bit state machine. See Figure 6, Basic ACCESS State Machine. It is responsible for sequencing accesses as well as refreshes to the DRAM banks.

From the IDLE state, the access state machine is sequenced based on these three events:

- Refresh requests from the counter
- DRAM requests from the processor
- PENDING state machine requests

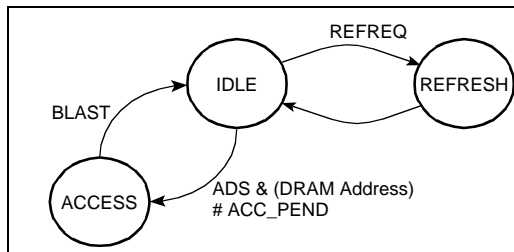


Figure 6. Basic ACCESS State Machine



#### 4.2 PENDING State Machine

The PENDING state machine is a one-bit state machine which monitors DRAM requests from the processor. This is necessary because a DRAM refresh has priority over a processor request. Therefore, this state machine is used to post the processor request. The state machine gets reset once the ACCESS state machine starts sequencing the pending request. The state machine generates  $\overline{\text{ACC\_PEND}}$ .

#### 4.3 ODDACCESS State Machine

The ODDACCESS state machine is clocked using the 1X\_CLK clock. It is a one-bit state machine which monitors the initial state of the processor's address A2. Several state machines in this design use the output of this state machine as inputs. Address A2 from the processor indicates whether an access starts on an even or odd word boundary. The ACCESS state machine uses this bit extensively. It is important to latch address A2 because the processor toggles address A2 on burst accesses. This state machine generates  $\overline{\text{LA2}}$ .

#### 4.4 BANKSELA State Machine

The BANKSELA state machine is a one-bit state machine which is used to control the data multiplexer, primarily to select between even or odd data during read accesses. This state machine is clocked using the 1X\_CLK clock. It generates  $\overline{\text{SELA}}$ .

#### 4.5 BANKSELB State Machine

The BANKSELB state machine is a one-bit state machine which is used to control the data multiplexer, primarily to select between even or odd data during read accesses. This state machine is clocked using the 1X\_CLK clock. It generates  $\overline{\text{SELB}}$ .

#### 4.6 ADDRMUX State Machine

The ADDRMUX state machine is a one-bit state machine which is used to control the address multiplexers, primarily to select between row or column addresses. It is clocked using the 1X\_CLK clock. This state machine generates  $\overline{\text{MUX}}$ , which is a delayed version of  $\overline{\text{RASE}}$ . By delaying the switching of the row address by one 1X\_CLK clock cycle provides ample row address hold time ( $t_{\text{RAH}}$ ) required by the DRAM. The row address is selected while  $\overline{\text{MUX}}$  is high; otherwise, the column address is selected.

#### 4.7 A3EVEN State Machine

The A3EVEN state machine is a one-bit state machine which is toggled on burst accesses to select the next data word (next column data). The state machine is initially loaded with the value of the processor's address A3 and then toggled for the next data access. This state machine is clocked using 1X\_CLK clock, and generates A3E. This signal is an input to the address multiplexer.

#### 4.8 A3ODD State Machine

The A3ODD state machine is a one-bit state machine and has the same functionality as the A3EVEN state machine. This state machine generates A3O.

#### 4.9 RFEVENBK State Machine

The RFEVENBK state machine is a one-bit state machine which is used to indicate which of the two banks (even or odd) to refresh. The two banks are refreshed separately. The even bank is refreshed when the RFEVENBK state machine is active; otherwise, the odd bank is refreshed. The output of this state machine is toggled on every refresh. This state machine generates  $\overline{\text{REFEVEN}}$ .

#### 4.10 CASPIPE State Machine

The CASPIPE state machine is a one-bit state machine which generates a pipelined  $\overline{\text{CAS}}$  signal one 1X\_CLK clock cycle earlier. The output of this state machine is then fed to the CASE\_B3:0 state machines where it is reconstructed to drive the  $\overline{\text{CAS}}$  lines of the even bank. This state machine generates  $\overline{\text{CASEE}}$ .

#### 4.11 CASPIPO State Machine

The CASPIPO state machine is a one-bit state machine which generates a pipelined  $\overline{\text{CAS}}$  signal one 1X\_CLK clock cycle earlier. The output of this state machine is then fed to the CASO\_B3:0 state machines where it is reconstructed to drive the  $\overline{\text{CAS}}$  lines of the odd bank. This state machine generates  $\overline{\text{CASOO}}$ .

#### 4.12 CASE\_B3:0 State Machines

The CASE\_B3:0 state machines control the  $\overline{\text{CAS}}$  pins of the even bank. CASEB0 controls the least significant byte and  $\overline{\text{CASEB3}}$  controls the most significant byte. The CASE\_B0 state machine generates  $\overline{\text{CASEB0}}$ , and the CASE\_B3 state machine generates  $\overline{\text{CASEB3}}$ .  $\overline{\text{CASEB0}}$  is

asserted when  $\overline{\text{CASEE}}$  and the processor's  $\overline{\text{BE0}}$  signal are asserted.  $\overline{\text{CASEB3}}$  is asserted when  $\overline{\text{CASEE}}$  and the processor's  $\overline{\text{BE3}}$  signal are asserted.  $\text{CASE\_B3:0}$  state machines are clocked using the  $1\text{X\_CLK}$  clock.

#### 4.13 CASO\_B3:0 State Machines

The  $\text{CASO\_B3:0}$  state machines control the  $\overline{\text{CAS}}$  pins of the odd bank.  $\text{CASO\_B0}$  controls least significant byte and  $\text{CASO\_B3}$  controls the most significant byte. The  $\text{CASO\_B0}$  state machine generates  $\overline{\text{CASOB0}}$ , and the  $\text{CASO\_B3}$  state machine generates  $\overline{\text{CASOB3}}$ .  $\overline{\text{CASOB0}}$  is asserted when  $\overline{\text{CASO0}}$  and the processor's  $\overline{\text{BE0}}$  signal are asserted.  $\overline{\text{CASOB3}}$  is asserted when  $\overline{\text{CASO0}}$  and the processor's  $\overline{\text{BE3}}$  signal are asserted. The  $\text{CASO\_B3:0}$  state machines are clocked using the  $1\text{X\_CLK}$  clock.

#### 4.14 $\overline{\text{REFREQ}}$ Signal

$\overline{\text{REFREQ}}$ , an active low signal, is the output of an eight-bit counter. The counter is clocked using the  $1\text{X\_CLK}$  clock.  $\overline{\text{REFREQ}}$  is asserted when the counter reaches zero. The  $\text{ACCESS}$  state machine uses  $\overline{\text{REFREQ}}$  to sequence refreshes.

#### 4.15 RASEVEN State Machine

The  $\text{RASEVEN}$  state machine is a one-bit state machine which is used to generate  $\overline{\text{RAS}}$  signals for the even bank. It is clocked using the  $1\text{X\_CLK}$  clock. This state machine generates  $\overline{\text{RASE}}$ .

#### 4.16 RASODD State Machine

The  $\text{RASODD}$  state machine is a one-bit state machine which is used to generate  $\overline{\text{RAS}}$  signals for the odd bank. It is clocked using the  $1\text{X\_CLK}$  clock. This state machine generates  $\overline{\text{RASO}}$ .

#### 4.17 $\overline{\text{SRASE}}$ State Machine

The  $\text{SRASE}$  state machine is a one-bit state machine which is used to monitor back-to-back DRAM accesses. It is generated by shifting  $\overline{\text{RASE}}$  by one  $1\text{X\_CLK}$  clock cycle. This state machine generates  $\overline{\text{SRASE}}$ . By using the state of this signal the DRAM controller can eliminate one wait state cycle for accessing the first data word. Back-to-back accesses require an extra wait state cycle to satisfy the  $\text{RAS}$  precharge time ( $t_{\text{RP}}$ ).

#### 4.18 $\overline{\text{RDEN}}$ Signal

$\overline{\text{RDEN}}$  is asserted while a DRAM read is in progress. It controls the output enables of the data multiplexers.

#### 4.19 $\overline{\text{WRE}}$ Signal

$\overline{\text{WRE}}$  is asserted while a DRAM write is in progress. It controls the even leaf  $\overline{\text{WE}}$  lines to perform early writes. It also controls the even data path buffers output enables.

#### 4.20 $\overline{\text{WRO}}$ Signal

$\overline{\text{WRO}}$  is asserted while a DRAM write is in progress. It controls the odd leaf  $\overline{\text{WE}}$  lines to perform early writes. It also controls the odd data path buffers output enables.

### 5.0 DRAM CONTROLLER ACCESS FLOW

This section explains how the  $\text{ACCESS}$  state machine is sequenced while reading, writing, and refreshing DRAMs. Examples used are:

- quad-word read
- single-word read
- quad-word write
- single-word write
- refresh

The examples in this document assume back-to-back DRAM accesses or pending accesses. For example, the first data access of a DRAM request uses four wait states for reads and three wait states for writes. For idle bus accesses, the  $\text{ACCESS0}$  state is skipped, allowing only three wait states for reads and two wait states for writes. Refer to the PLD equations in APPENDIX A. The  $\text{ACCESS}$  state machine uses  $\overline{\text{SRASE}}$  to detect back-to-back accesses.

$\overline{\text{RDEN}}$  is asserted during read accesses while  $\overline{\text{WRE}}$  and  $\overline{\text{WRO}}$  are asserted during write accesses.

#### 5.1 Quad-Word Read

Figure 7 shows the state diagram for a quad-word read; Figure 8 shows the timing diagram. This state diagram also shows the state machine paths for triple-, double-, and single-word reads. Single-word reads which are aligned on odd word boundaries use a different path; therefore, a separate example is used to explain that state machine path.



From the IDLE state, the machine enters the ACCESS0 state due to a processor request or a pending processor request. At the end of the IDLE state, the A3EVEN and A3ODD state machines are loaded with the processor's address A3 and the ODDACCESS state machine is loaded with the processor's address A2. While in the IDLE state,  $\overline{MUX}$  is deasserted, which selects the row address.

At the end of the ACCESS0 state, the  $\overline{RASE}$  and  $\overline{RAS0}$  are asserted. The machine then proceeds to the ACCESS1 state.

At the end of the ACCESS1 state,  $\overline{MUX}$  is asserted. This causes the column address to be selected.  $\overline{CASEE}$  is asserted, and the PENDING state machine is reset. From ACCESS1, the machine enters ACCESS2 state.

At the end of the ACCESS2 state,  $\overline{CASEB3:0}$  are asserted if  $\overline{CASEE}$  and the respective Byte Enable signals from the processor are asserted.  $\overline{CASO0}$  is asserted if  $\overline{BLAST}$  is not asserted. The machine then proceeds to the ACCESS3 state.

At the end of the ACCESS3 state,  $\overline{CASOB3:0}$  are asserted if  $\overline{CASO0}$  and the respective Byte Enable signals from the

processor are asserted, while  $\overline{CASEE}$  is deasserted. The machine then proceeds to the ACCESS4 state.

The ACCESS4 state is the first or third data cycle ( $T_{d0}/T_{d2}$ ) for read accesses aligned on even word boundaries. At the end of ACCESS4,  $\overline{CASEE}$  is reasserted while  $\overline{CASEB3:0}$  are deasserted.  $\overline{CASEB3:0}$  are deasserted because  $\overline{CASEE}$  is sampled deasserted.  $\overline{CASO0}$  is deasserted before leaving this state. From here, the machine can proceed to either the ACCESS5 or the IDLE state. If  $\overline{BLAST}$  is asserted, the machine proceeds to the IDLE state; otherwise, to the ACCESS5 state.

The ACCESS5 state is the second or fourth data cycle ( $T_{d1}/T_{d3}$ ) for read accesses. At the end of the ACCESS5 state,  $\overline{CASO0}$  is reasserted.  $\overline{CASEB3:0}$  are asserted if  $\overline{CASEE}$  and the respective Byte Enable signals from the processor are asserted.  $\overline{CASOB3:0}$  are deasserted because  $\overline{CASO0}$  is sampled deasserted. From here, the machine can proceed to either the ACCESS3 or the IDLE state. If  $\overline{BLAST}$  is asserted, the machine proceeds to the IDLE state; otherwise, to the ACCESS3 state. The machine then proceeds to ACCESS3 state.

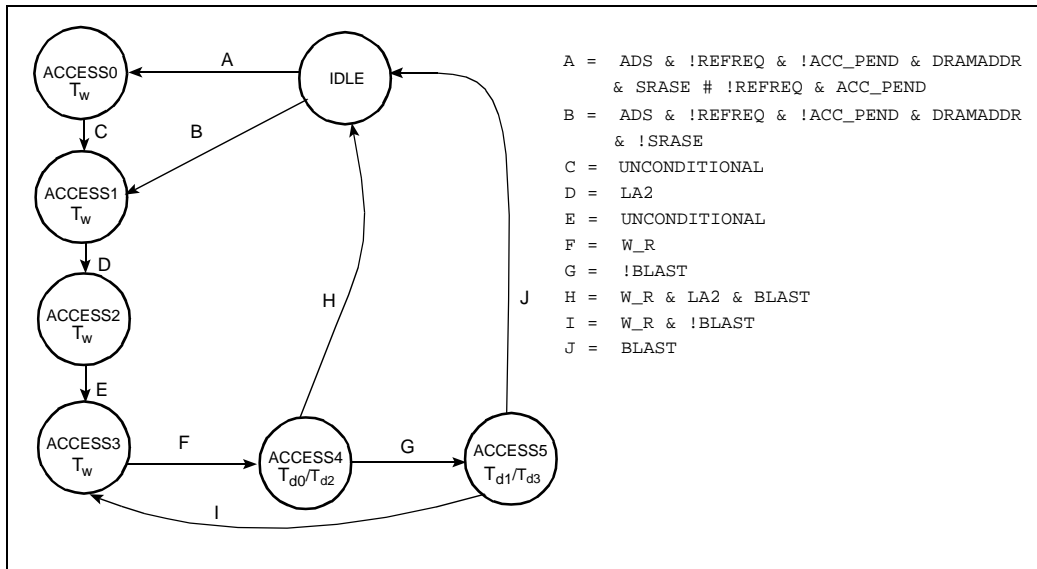


Figure 7. Quad-Word Read State Diagram



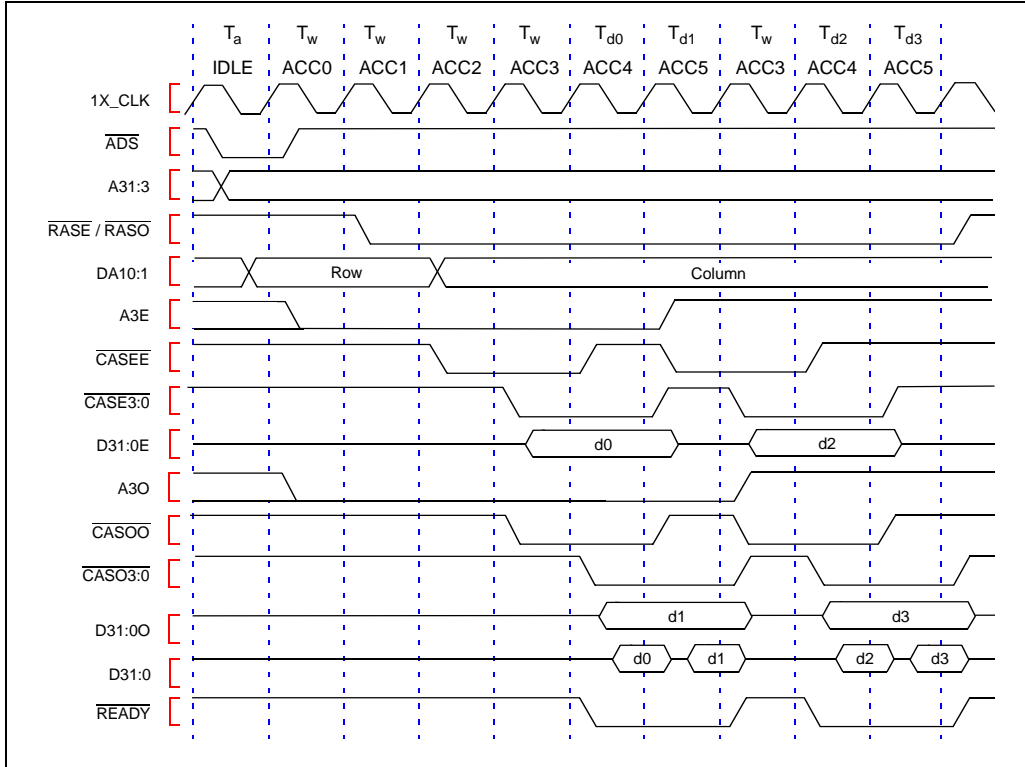
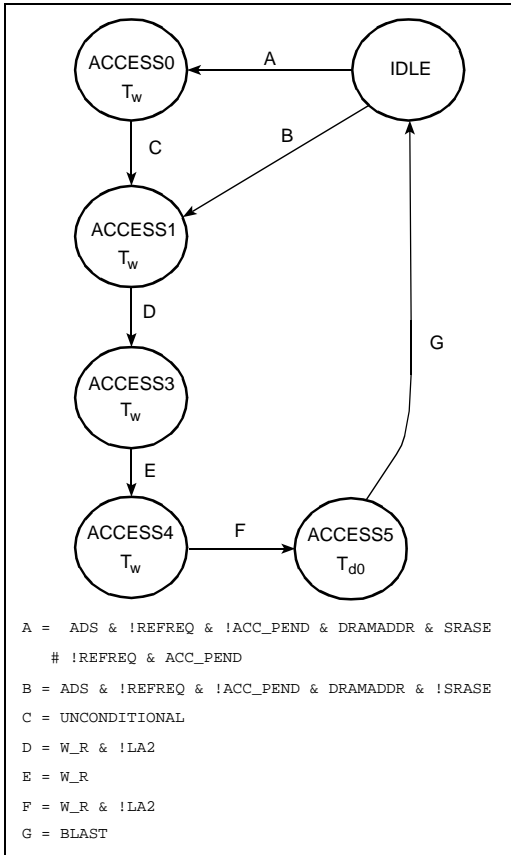


Figure 8. Quad-Word Read Timing Diagram



### 5.2 Single-Word Read

The ACCESS state machine takes a slightly different path when a read request is aligned on an odd word boundary. Figure 9 shows the state diagram for a single-word read; Figure 10 shows the timing diagram.



**Figure 9. Single-Word Read State Diagram (A2 = 1)**

From the IDLE state, the machine enters the ACCESS0 state due to a processor request or a pending processor request. At the end of the IDLE state, the A3EVEN and A3ODD state machines are loaded with the processor's address A3 and the ODDACCESS state machine is loaded with the processor's address A2.  $\overline{MUX}$  is deasserted in the IDLE state, which selects the row address.

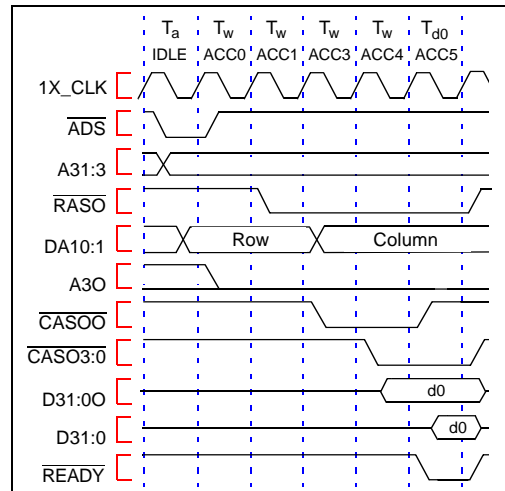
At the end of the ACCESS0 state,  $\overline{RAS0}$  is asserted. The machine then proceeds to the ACCESS1 state.

At the end of ACCESS1,  $\overline{MUX}$  is asserted. This causes the column address to be selected.  $\overline{CAS00}$  is asserted. The PENDING state machine is reset before the machine proceeds to the ACCESS3 state.

At the end of the ACCESS3 state,  $\overline{CASOB3:0}$  are asserted if  $\overline{CAS00}$  and the respective Byte Enable signals from the processor are asserted. The machine then proceeds to ACCESS4 state.

At the end of the ACCESS4 state,  $\overline{CAS00}$  is deasserted and the machine proceeds to the ACCESS5 state.

The ACCESS5 state is the data cycle for the read access.  $\overline{CASOB3:0}$  are deasserted. This is primarily because  $\overline{CAS00}$  is sampled deasserted. The machine then proceeds to the IDLE state while deasserting  $\overline{RAS0}$ .



**Figure 10. Single-Word Read Timing Diagram (A2 = 1)**

### 5.3 Quad-Word Write

Figure 11 shows the state diagram for a quad-word write. This state diagram also shows the state machine paths for triple-, double-, and single-word writes. Single-word writes which are aligned on odd word boundaries use a different path, therefore, a different example is used to explain the state machine path.

From the IDLE state, the machine enters the ACCESS0 state due to a processor request or a pending processor request. At the end of the IDLE state, the A3EVEN and A3ODD state machines are loaded with the processor's

address A3, and the ODDACCESS state machine is loaded with the processor's address A2.  $\overline{MUX}$  is deasserted in the IDLE state, therefore, which selects the row address.

At the end of the ACCESS0 state,  $\overline{RASE}$  and  $\overline{RASO}$  are asserted. The machine then proceeds to the ACCESS1 state.

At the end of the ACCESS1 state,  $\overline{MUX}$  and  $\overline{CASEE}$  are asserted. Asserting  $\overline{MUX}$  causes the column address to be selected. From ACCESS1, the machine enters the ACCESS2 state.

At the end of the ACCESS2 state  $\overline{CASEE}$  is deasserted.  $\overline{CASEB3:0}$  are asserted if  $\overline{CASEE}$  and the respective Byte Enable signals from the processor are asserted. The machine then proceeds to the ACCESS3 state.

The ACCESS3 state is the first or third data cycle ( $T_{d0}$  or  $T_{d2}$ ) for write accesses which are aligned on even word boundaries ( $A2 = 0$ ). At the end of the ACCESS3 state,  $\overline{CASEB3:0}$  are deasserted. This is because  $\overline{CASEE}$  is sampled deasserted.  $\overline{CASO0}$  is also asserted if  $\overline{BLAST}$  is deasserted. From ACCESS3, the machine can proceed to either the ACCESS4 state or the IDLE state. If  $\overline{BLAST}$  is asserted, the machine proceeds to the IDLE state, otherwise to the ACCESS4 state.

At the end of the ACCESS4 state,  $\overline{CASO0}$  is deasserted.  $\overline{CASOB3:0}$  are asserted if  $\overline{CASO0}$  and the respective Byte Enable signals from the processor are asserted. The machine then proceeds to the ACCESS5 state.

The ACCESS5 state is the second or fourth data cycle ( $T_{d1}/T_{d3}$ ) for write accesses which are aligned on even word boundary ( $A2 = 0$ ). At the end of ACCESS5,  $\overline{CASEE}$  is reasserted.  $\overline{CASOB3:0}$  are deasserted. This is because  $\overline{CASO0}$  is sampled deasserted. From ACCESS5, the machine can proceed to either the ACCESS2 state or the IDLE state. If  $\overline{BLAST}$  is asserted, the machine proceeds to the IDLE state, otherwise to the ACCESS2 state.

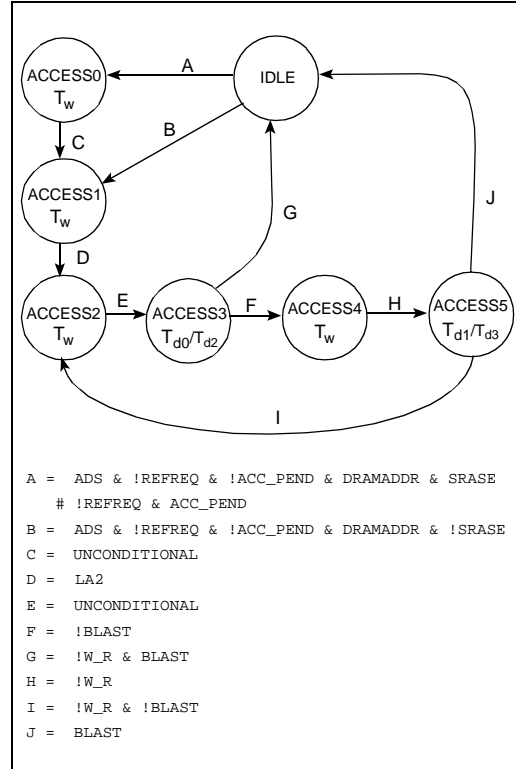


Figure 11. Quad-Word Write State Diagram



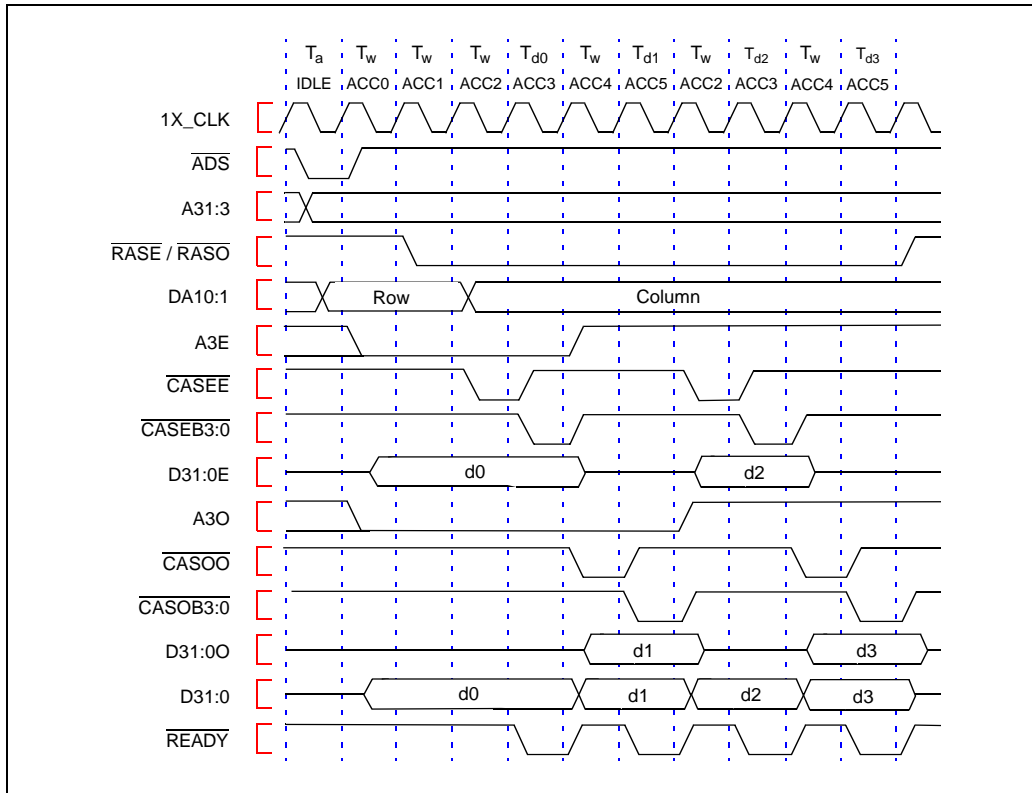


Figure 12. Quad-Word Write Timing Diagram

#### 5.4 Single-Word Write

The ACCESS state machine takes a slightly different path when the write request is aligned on an odd word boundary. Figure 13 shows the state diagram for a single-word write; Figure 14 shows the timing diagram.

From the IDLE state, the machine enters the ACCESS0 state due to a processor request or a pending processor request. At the end of the IDLE state, the A3EVEN and A3ODD state machines are loaded with the processor's address A3, and the ODDACCESS state machine is loaded with the processor's address A2.

At the end of ACCESS0 state,  $\overline{\text{RASO}}$  is asserted. The machine then proceeds to the ACCESS1 state.

At the end of ACCESS1,  $\overline{\text{MUX}}$  is asserted. This causes the column address to be selected.  $\overline{\text{CASOO}}$  is also asserted. From ACCESS1, the machine enters ACCESS4 state.

At the end of the ACCESS4 state,  $\overline{\text{CASOB3:0}}$  are asserted if  $\overline{\text{CASOO}}$  and the respective Byte Enable signals from the processor are asserted.  $\overline{\text{CASOO}}$  is deasserted at the end of ACCESS4. The machine then proceeds to ACCESS5 state.

The ACCESS5 state is the data cycle ( $T_{d0}$ ) for the write access which is aligned on odd word boundary ( $A2 = 1$ ). At the end of ACCESS5,  $\overline{\text{CASOB3:0}}$  are deasserted. The machine then proceeds to the IDLE state.

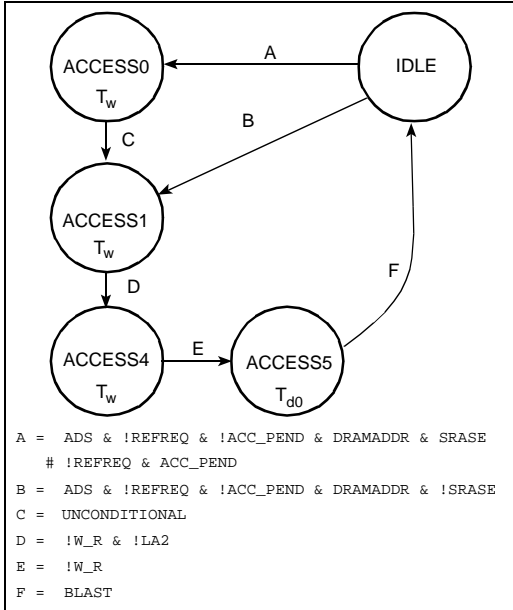


Figure 13. Single-Word Write State Diagram (A2 = 1)

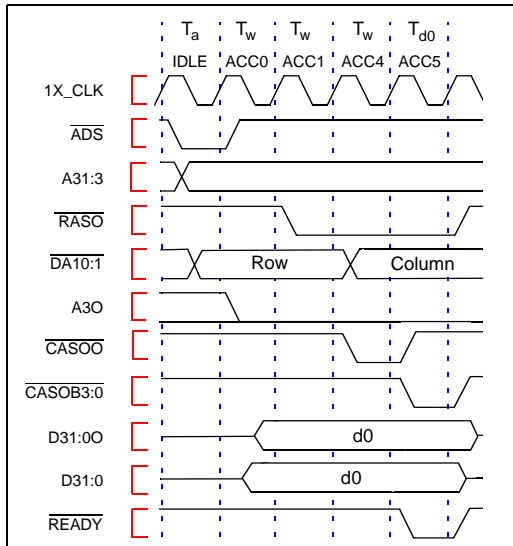


Figure 14. Single-Word Write Timing Diagram (A2 = 1)

### 5.5 Refresh Cycles

The refresh counter requests a DRAM refresh every 7.8  $\mu\text{s}$ . One bank is refreshed at a time in alternation. The ACCESS state machine sequences the refresh and based on the state of the RFEVENBK state machine, either the even or the odd bank is refreshed. The following text assumes the even bank is to be refreshed, for example the RFEVENBK state machine is active. The odd bank is refreshed in a similar manner when the RFEVENBK state machine is inactive.

Figure 15 shows the refresh state diagram. From the IDLE state, the machine enters the REFRESH0 state if  $\overline{\text{REFREQ}}$  is asserted. At the end of REFRESH0,  $\overline{\text{CASEE}}$  is asserted. The counter is also reloaded, which deasserts  $\overline{\text{REFREQ}}$ . Counting resumes on the next clock edge. The machine then proceeds to the REFRESH1 state.

At the end of the REFRESH1 state,  $\overline{\text{CASEB}}_{3:0}$  are asserted.  $\overline{\text{CASEB}}_{3:0}$  are asserted because  $\overline{\text{CASEE}}$  is sampled asserted. The machine then proceeds to the REFRESH2 state.

At the end of the REFRESH2 state,  $\overline{\text{RASE}}$  is asserted while  $\overline{\text{CASEE}}$  is deasserted. The machine then proceeds to the REFRESH3 state.

At the end of the REFRESH3 state,  $\overline{\text{CASEB}}_{3:0}$  are deasserted. This is because  $\overline{\text{CASEE}}$  is sampled deasserted. The machine then proceeds to REFRESH4 and REFRESH5 state.

At the end of REFRESH5,  $\overline{\text{RASE}}$  is deasserted. The machine then proceeds to the IDLE state





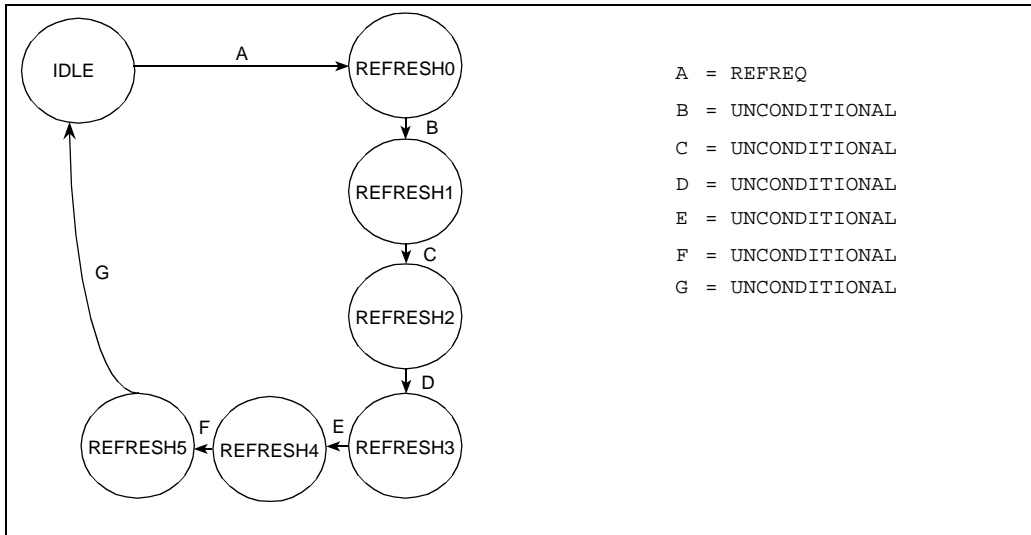


Figure 15. Refresh State Diagram

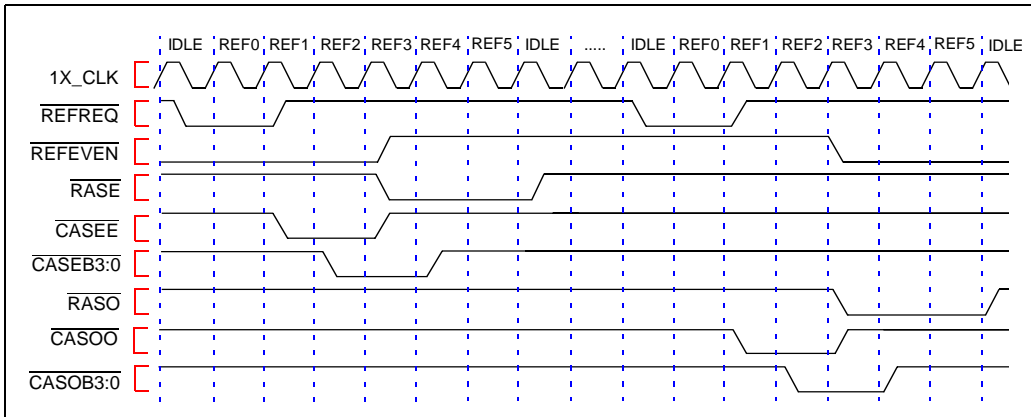


Figure 16. Refresh Timing Diagram





**6.0 CONCLUSION**

In conclusion, this application note describes a DRAM controller for use with i960<sup>®</sup> CF 40 MHz microprocessors. This DRAM Controller was built and tested for validation purposes. The PLD equations which were used to build and test the prototype design were created in ABEL. All timing analysis was verified with Timing Designer. Schematics were created with OrCAD. The timing analysis, schematics and PLD files are available through Intel's America's Application Support BBS, at (916) 356-3600.

**7.0 RELATED INFORMATION**

This application note is one of four that are related to DRAM controllers for the i960 processors. The following table shows the documents and order numbers:

Document Name	App. Note #	Order #
DRAM Controller for the 33, 25, and 16 MHz i960 <sup>®</sup> CA/CF Microprocessors	AP-703	272627
DRAM Controller for the i960 <sup>®</sup> Jx Microprocessors	AP-712	272674
Simple DRAM Controller for 25/16 MHz i960 <sup>®</sup> CA/CF Microprocessors	AP-704	272628

To receive these documents or any other available Intel literature, contact:

Intel Corporation  
 Literature Sales  
 P.O. Box 7641  
 Mt. Prospect IL 60056-7641  
 1-800-879-4683

To receive files that contain the timing analysis, schematics and PLD equations for this and the other DRAM controller application notes, contact:

Intel Corporation  
 America's Application Support BBS  
 916-356-3600



**APPENDIX A  
PLD EQUATIONS**

Table A-1 contains the PLD equations which were used to build and test the prototype design. Table A-2 defines signal and product term allocation. The PLD equations were created in ABEL as a device-independent design. Using the ABEL software\*, a PDS file was created and subsequently imported into PLDSHELL software\*. PLDSHELL was used to incorporate the design into the Altera EPX780 FLEXlogic PLD\*. PLDSHELL was also used to create the JEDEC file, and to simulate the design. In addition, this appendix contains a table listing the number of product terms used by each macrocell.

This DRAM controller does not use the  $\overline{\text{APK\_ACTIVE}}$  signal.

**Table A-1. 40 MHz DRAM Controller PLD Equation (Sheet 1 of 19)**

```
Module          CX40T
Title           'DRAM Controller for 40MHz
Source File     CX40T.ABL
Revision        Rev 0.0
Date            11/17/94
Designer        Sailesh Bissessur
                Intel i960 Applications Engineering'
"-----"
" 2-Way Interleaved DRAM controller for the 960CF 40MHz.
" This design also contains logic for FLASH, HEX DISPLAY, and Software Reset
"      DRAM          - 0xA0000000
"      FLASH         - 0xFFFE0000
"      HEX DISPLAY   - 0xB8000000
"      SW Reset      - 0xB0000000
"-----"
"      Uxx      device 'iFX780_132';
" inputs
      CLK1      PIN; " 1x clock
      CLK2      PIN;
      A2        PIN; " Address A2
      !EXTRST   PIN; " External Reset
      !CPUWAIT  PIN; " Processor Wait
      !ADS      PIN; " Address Strobe
      !BLAST    PIN; " Burst Last
      !W_R      PIN; " Read/Write
      A31       PIN; " Address A31
      A30       PIN; " Address A30
      A29       PIN; " Address A29
      A28       PIN; " Address A28
      A27       PIN; " Address A27
      DCLK1     PIN; " Delayed Clock
      A3        PIN; " Address A3
      !BE3      PIN; " Byte Enable 3
      !BE2      PIN; " Byte Enable 2
      !BE1      PIN; " Byte Enable 1
      !BE0      PIN; " Byte Enable 0
      !APK_ACTIVE PIN; " Indicate presence of ApLink
```

Table A-1. 40 MHz DRAM Controller PLD Equation (Sheet 2 of 19)

```

" outputs
!LA2          PIN  istype 'reg'; " latched A2
Q3           PIN  istype 'reg'; " m/c bit3
Q2           PIN  istype 'reg'; " m/c bit2
!RDEN        PIN  istype 'com'; " enables data mux '257s
!SELA        PIN  istype 'reg'; " selects even odd data
!SELB        PIN  istype 'reg'; " selects even odd data
!READY       PIN  istype 'reg'; " Processor READY
Q1           PIN  istype 'reg'; " m/c bit1
Q0           PIN  istype 'reg'; " m/c bit0
!ACC_PEND    PIN  istype 'reg'; " access pending indicator
!RASO        PIN  istype 'reg'; " Odd RAS
A3E          PIN  istype 'reg'; " Even Address Counter
!REFEVEN     PIN  istype 'reg'; " which bank to refresh
!CASEE       PIN  istype 'reg'; " Pipelined Even CAS
!CASOO       PIN  istype 'reg'; " Pipelined Odd CAS
A3O          PIN  istype 'reg'; " Odd Address Counter
!WAIT        PIN  istype 'com'; " wait state indicator
!RASE        PIN  istype 'reg'; " Even RAS
!MUX         PIN  istype 'reg'; " Selects Row/Column Address
!CASEB0      PIN  istype 'reg'; " Byte 0 Even CAS
!CASEB1      PIN  istype 'reg'; " Byte 1 Even CAS
!CASEB2      PIN  istype 'reg'; " Byte 2 Even CAS
!CASEB3      PIN  istype 'reg'; " Byte 3 Even CAS
!CASOB0      PIN  istype 'reg'; " Byte 0 Odd CAS
!CASOB1      PIN  istype 'reg'; " Byte 1 Odd CAS
!CASOB2      PIN  istype 'reg'; " Byte 2 Odd CAS
!CASOB3      PIN  istype 'reg'; " Byte 3 Odd CAS
S3           PIN  istype 'reg'; " Refresh Counter 1 bit 3
S2           PIN  istype 'reg'; " Refresh Counter 1 bit 2
S1           PIN  istype 'reg'; " Refresh Counter 1 bit 1
S0           PIN  istype 'reg'; " Refresh Counter 1 bit 0
T3           PIN  istype 'reg'; " Refresh Counter 2 bit 3
T2           PIN  istype 'reg'; " Refresh Counter 2 bit 2
T1           PIN  istype 'reg'; " Refresh Counter 2 bit 1
T0           PIN  istype 'reg'; " refresh Counter 2 bit 0
!REFREQ      PIN  istype 'com'; " Refresh Required
!FLASHCS     PIN  istype 'reg'; " FLASH Chip Select
!FLASHRD     PIN  istype 'reg'; " FLASH OE
!FLASHWR     PIN  istype 'com'; " FLASH WE
!XCROE       PIN  istype 'reg'; " XCR OE control
!XCRDIR      PIN  istype 'com'; " XCR DIR control
!SWRST       PIN  istype 'reg'; " SW Reset Indicator
!TRIGRST     PIN  istype 'reg'; " Triggers the 7705
!RESET       PIN  istype 'reg'; " System Reset
!WRE         PIN  istype 'com'; " Odd Bank WE
!WRO         PIN  istype 'com'; " Even Bank WE
!SRASE       PIN  istype 'reg'; " Shifted RASE
LED_LAT      PIN  istype 'reg'; " Hex Display Pulse

"
C = .C.;
X = .X.;
"

```

Table A-1. 40 MHz DRAM Controller PLD Equation (Sheet 3 of 19)

```

CYCLE      = [Q3,Q2,Q1,Q0];
ODDACCESS  = [LA2];
BANKSELA   = [SELA];
BANKSELB   = [SELB];
PENDING    = [ACC_PEND];
RDY        = [READY];
RASEVEN    = [RASE];
RASODD     = [RASO];
CASPIPE    = [CASEE];
CASPIPO    = [CASOO];
ADDRMUX    = [MUX];
A3EVEN     = [A3E];
A3ODD      = [A3O];
RFEVENBK   = [REFEVEN];
CASE_B0    = [CASEB0];
CASE_B1    = [CASEB1];
CASE_B2    = [CASEB2];
CASE_B3    = [CASEB3];
CASO_B0    = [CASOB0];
CASO_B1    = [CASOB1];
CASO_B2    = [CASOB2];
CASO_B3    = [CASOB3];
REFCT2 = [T3,T2,T1,T0];
REFCT1 = [S3,S2,S1,S0];
DRAMADDR   = (A31 & !A30 & A29 & !A28 & !A27);
FLASHADDR  = (A31 & A30 & A29 & A28 & A27);
SWRSTADDR  = (A31 & !A30 & A29 & A28 & !A27);
LEDADDR    = (A31 & !A30 & A29 & A28 & A27);

"
ASSERT     = ^b1;
DEASSERT   = ^b0;

Z0         = ^b0000;
Z1         = ^b0001;
Z2         = ^b0010;
Z3         = ^b0011;
Z4         = ^b0100;
Z5         = ^b0101;
Z6         = ^b0110;
Z7         = ^b0111;
Z8         = ^b1000;
Z9         = ^b1001;
Z10        = ^b1010;
Z11        = ^b1011;
Z12        = ^b1100;
Z13        = ^b1101;
Z14        = ^b1110;
Z15        = ^b1111;

```



Table A-1. 40 MHz DRAM Controller PLD Equation (Sheet 4 of 19)

```

IDLE          = ^b0000;
ACCESS0       = ^b0001;
ACCESS1       = ^b0010;
ACCESS2       = ^b0011;
ACCESS3       = ^b0100;
ACCESS4       = ^b0101;
ACCESS5       = ^b0110;
ACCESS6       = ^b0111; "this state is never entered
ACCESS7       = ^b1000; "this state is never entered
REFRESH0      = ^b1001;
REFRESH1      = ^b1010;
REFRESH2      = ^b1011;
REFRESH3      = ^b1100;
REFRESH4      = ^b1101;
REFRESH5      = ^b1110;
REFRESH6      = ^b1111; "this state is never entered

"-----
"Holds state of A2 of the processor
"-----
state_diagram ODDACCESS
state ASSERT:
    if((CYCLE == IDLE) & A2) then DEASSERT
else
    ASSERT;

state DEASSERT:
    if((CYCLE == IDLE) & !A2) then ASSERT
else
    DEASSERT;

"-----
"Even byte 0 CAS
"-----
state_diagram CASE_B0
state ASSERT:
    if(!Q3 & !CASEE) then DEASSERT
else
    if(Q3 & !CASEE) then DEASSERT
else
    ASSERT;

state DEASSERT:
    if(!Q3 & W_R & WAIT & CASEE & BE0) then ASSERT
else
    if(!Q3 & W_R & !WAIT & CASEE & BE0 & !BLAST) then ASSERT
else
    if(!Q3 & !W_R & CASEE & BE0) then ASSERT
else
    if(Q3 & CASEE) then ASSERT
else
    DEASSERT;

```



Table A-1. 40 MHz DRAM Controller PLD Equation (Sheet 5 of 19)

```

"Even byte 1 CAS
state_diagram CASE_B1
state ASSERT:
    if(!Q3 & !CASEE) then DEASSERT
else
    if(Q3 & !CASEE) then DEASSERT
else
    ASSERT;

state DEASSERT:
    if(!Q3 & W_R & WAIT & CASEE & BE1) then ASSERT
else
    if(!Q3 & W_R & !WAIT & CASEE & BE1 & !BLAST) then ASSERT
else
    if(!Q3 & !W_R & CASEE & BE1) then ASSERT
else
    if(Q3 & CASEE) then ASSERT
else
    DEASSERT;

"Even byte 2 CAS
state_diagram CASE_B2
state ASSERT:
    if(!Q3 & !CASEE) then DEASSERT
else
    if(Q3 & !CASEE) then DEASSERT
else
    ASSERT;

state DEASSERT:
    if(!Q3 & W_R & WAIT & CASEE & BE2) then ASSERT
else
    if(!Q3 & W_R & !WAIT & CASEE & BE2 & !BLAST) then ASSERT
else
    if(!Q3 & !W_R & CASEE & BE2) then ASSERT
else
    if(Q3 & CASEE) then ASSERT
else
    DEASSERT;

```





Table A-1. 40 MHz DRAM Controller PLD Equation (Sheet 6 of 19)

```

"Even byte 3 CAS
state_diagram CASE_B3
state ASSERT:
    if(!Q3 & !CASEE) then DEASSERT
else
    if(Q3 & !CASEE) then DEASSERT
else
    ASSERT;

state DEASSERT:
    if(!Q3 & W_R & WAIT & CASEE & BE3) then ASSERT
else
    if(!Q3 & W_R & !WAIT & CASEE & BE3 & !BLAST) then ASSERT
else
    if(!Q3 & !W_R & CASEE & BE3) then ASSERT
else
    if(Q3 & CASEE) then ASSERT
else
    DEASSERT;

"Odd byte 0 CAS
state_diagram CASO_B0
state ASSERT:
    if(!Q3 & !CASOO) then DEASSERT
else
    if(Q3 & !CASOO) then DEASSERT
else
    ASSERT;

state DEASSERT:
    if(!Q3 & W_R & WAIT & CASOO & BE0 & BLAST & !LA2) then
ASSERT
else
    if(!Q3 & W_R & WAIT & CASOO & BE0 & !BLAST & LA2) then
ASSERT
else
    if(!Q3 & !W_R & CASOO & BE0) then ASSERT
else
    if(Q3 & CASOO) then ASSERT
else
    DEASSERT;
    
```





Table A-1. 40 MHz DRAM Controller PLD Equation (Sheet 7 of 19)

```

"Odd byte 1 CAS
state_diagram CASO_B1
state ASSERT:
    if(!Q3 & !CAS00) then DEASSERT
else
    if(Q3 & !CAS00) then DEASSERT
else
    ASSERT;

state DEASSERT:
    if(!Q3 & W_R & WAIT & CAS00 & BE1 & BLAST & !LA2) then ASSERT
else
    if(!Q3 & W_R & WAIT & CAS00 & BE1 & !BLAST & LA2) then ASSERT
else
    if(!Q3 & !W_R & CAS00 & BE1) then ASSERT
else
    if(Q3 & CAS00) then ASSERT
else
    DEASSERT;

"Odd byte 2 CAS
state_diagram CASO_B2
state ASSERT:
    if(!Q3 & !CAS00) then DEASSERT
else
    if(Q3 & !CAS00) then DEASSERT
else
    ASSERT;

state DEASSERT:
    if(!Q3 & W_R & WAIT & CAS00 & BE2 & BLAST & !LA2) then ASSERT
else
    if(!Q3 & W_R & WAIT & CAS00 & BE2 & !BLAST & LA2) then ASSERT
else
    if(!Q3 & !W_R & CAS00 & BE2) then ASSERT
else
    if(Q3 & CAS00) then ASSERT
else
    DEASSERT;

```



Table A-1. 40 MHz DRAM Controller PLD Equation (Sheet 8 of 19)

```

"Odd byte 3 CAS
state_diagram CASO_B3
state ASSERT:
    if(!Q3 & !CAS00) then DEASSERT
else
    if(Q3 & !CAS00) then DEASSERT
else
    ASSERT;

state DEASSERT:
    if(!Q3 & W_R & WAIT & CAS00 & BE3 & BLAST & !LA2) then ASSERT
else
    if(!Q3 & W_R & WAIT & CAS00 & BE3 & !BLAST & LA2) then ASSERT
else
    if(!Q3 & !W_R & CAS00 & BE3) then ASSERT
else
    if(Q3 & CAS00) then ASSERT
else
    DEASSERT;

"Keeps track of any pending accesses
state_diagram PENDING
state ASSERT:
    if(CYCLE == ACCESS1) then DEASSERT
else
    ASSERT;

state DEASSERT:
    if(ADS & DRAMADDR) then ASSERT
else
    DEASSERT;

"Indicates which Bank is to be refreshed next when !REFREQ becomes active
state_diagram RFEVENBK
state ASSERT:
    if((CYCLE == REFRESH2)) then DEASSERT
else
    ASSERT;

state DEASSERT:
    if((CYCLE == REFRESH2)) then ASSERT
else
    DEASSERT;

```

Table A-1. 40 MHz DRAM Controller PLD Equation (Sheet 9 of 19)

```

"Selects even or odd data
state_diagram BANKSELA
    state ASSERT:
        if(CYCLE == ACCESS4) then DEASSERT
    else
        if((CYCLE == IDLE) & W_R & A2) then DEASSERT
    else
        ASSERT;

    state DEASSERT:
        if((CYCLE == ACCESS3) & W_R) then ASSERT
    else
        if((CYCLE == IDLE) & W_R & !A2) then ASSERT
    else
        DEASSERT;

"Selects even or odd data
state_diagram BANKSELB
    state ASSERT:
        if(CYCLE == ACCESS4) then DEASSERT
    else
        if((CYCLE == IDLE) & W_R & A2) then DEASSERT
    else
        ASSERT;

    state DEASSERT:
        if((CYCLE == ACCESS3) & W_R) then ASSERT
    else
        if((CYCLE == IDLE) & W_R & !A2) then ASSERT
    else
        DEASSERT;

"Generates READY to the processor
state_diagram RDY
    state ASSERT:
        if((CYCLE == ACCESS4) & W_R & BLAST) then DEASSERT
    else
        if((CYCLE == ACCESS5)) then DEASSERT
    else
        if((CYCLE == ACCESS3)) then DEASSERT
    else
        ASSERT;

    state DEASSERT:
        if((CYCLE == ACCESS2) & !W_R) then ASSERT
    else
        if((CYCLE == ACCESS3) & W_R & LA2) then ASSERT
    else
        if((CYCLE == ACCESS4) & W_R & !LA2) then ASSERT
    else
        if((CYCLE == ACCESS4) & !W_R) then ASSERT
    else
        DEASSERT;

```



Table A-1. 40 MHz DRAM Controller PLD Equation (Sheet 10 of 19)

```

"Even RAS
state_diagram RASEVEN
state ASSERT:
    if((CYCLE == ACCESS3) & !W_R & BLAST) then DEASSERT
else
    if((CYCLE == ACCESS4) & W_R & BLAST & LA2) then DEASSERT
else
    if((CYCLE == ACCESS5) & BLAST) then DEASSERT
else
    if((CYCLE == REFRESH5)) then DEASSERT
else
    ASSERT;

state DEASSERT:
    if((CYCLE == IDLE) & ADS & !REFREQ & !ACC_PEND
        & DRAMADDR & !SRASE) then ASSERT
else
    if((CYCLE == ACCESS0)) then ASSERT
else
    if((CYCLE == REFRESH2) & REFEVEN) then ASSERT
else
    DEASSERT;

"Odd RAS
state_diagram RASODD
state ASSERT:
    if((CYCLE == ACCESS3) & !W_R & BLAST) then DEASSERT
else
    if((CYCLE == ACCESS4) & W_R & BLAST & LA2) then DEASSERT
else
    if((CYCLE == ACCESS5) & BLAST) then DEASSERT
else
    if((CYCLE == REFRESH5)) then DEASSERT
else
    ASSERT;

state DEASSERT:
    if((CYCLE == IDLE) & ADS & !REFREQ & !ACC_PEND
        & DRAMADDR & !SRASE) then ASSERT
else
    if((CYCLE == ACCESS0)) then ASSERT
else
    if((CYCLE == REFRESH2) & !REFEVEN) then ASSERT
else
    DEASSERT;

```

Table A-1. 40 MHz DRAM Controller PLD Equation (Sheet 11 of 19)

```

" Pipelined Even CAS
state_diagram CASPIPE
state ASSERT:
    if((CYCLE == ACCESS2) & !W_R) then DEASSERT
else
    if((CYCLE == ACCESS3) & W_R) then DEASSERT
else
    if((CYCLE == ACCESS5) & BLAST & W_R) then DEASSERT
else
    if((CYCLE == REFRESH2)) then DEASSERT
else
    ASSERT;

state DEASSERT:
    if((CYCLE == ACCESS1) & LA2) then ASSERT
else
    if((CYCLE == ACCESS4) & W_R & LA2 & !BLAST) then ASSERT
else
    if((CYCLE == ACCESS5) & !W_R & !BLAST) then ASSERT
else
    if((CYCLE == REFRESH0) & REFEVEN) then ASSERT
else
    DEASSERT;

" Pipelined Odd CAS
state_diagram CASPIPO
state ASSERT:
    if((CYCLE == ACCESS4)) then DEASSERT
else
    if((CYCLE == REFRESH2)) then DEASSERT
else
    ASSERT;

state DEASSERT:
    if((CYCLE == ACCESS2) & W_R & LA2 & !BLAST) then ASSERT
else
    if((CYCLE == ACCESS3) & !W_R & LA2 & !BLAST) then ASSERT
else
    if((CYCLE == ACCESS1) & !LA2) then ASSERT
else
    if((CYCLE == ACCESS5) & !BLAST & W_R) then ASSERT
else
    if((CYCLE == REFRESH0) & !REFEVEN) then ASSERT
else
    DEASSERT;

```



Table A-1. 40 MHz DRAM Controller PLD Equation (Sheet 12 of 19)

```

"Even address counter
state_diagram A3EVEN
    state DEASSERT:
        if((CYCLE == IDLE) & A3) then ASSERT
    else
        if((CYCLE == ACCESS4)) then ASSERT
    DEASSERT;

    state ASSERT:
        if((CYCLE == IDLE) & !A3) then DEASSERT
    else
        if((CYCLE == ACCESS4)) then DEASSERT
    ASSERT;

"Odd address counter
state_diagram A3ODD
    state DEASSERT:
        if((CYCLE == IDLE) & A3) then ASSERT
    else
        if((CYCLE == ACCESS5)) then ASSERT
    DEASSERT;

    state ASSERT:
        if((CYCLE == IDLE) & !A3) then DEASSERT
    else
        if((CYCLE == ACCESS5)) then DEASSERT
    ASSERT;

"Main DRAM state machine - ACCESS state machine
state_diagram CYCLE
    state IDLE:
        if(ADS & !REFREQ & !ACC_PEND & DRAMADDR & SRASE) then ACCESS0
    else
        if(ADS & !REFREQ & !ACC_PEND & DRAMADDR & !SRASE) then ACCESS1
    else
        if(!REFREQ & ACC_PEND) then ACCESS0
    else
        if(REFREQ) then REFRESH0
    else
        IDLE;

    state ACCESS0:
        goto ACCESS1;

    state ACCESS1:
        if(W_R & !LA2) then ACCESS3
    else
        if(!W_R & !LA2) then ACCESS4
    ACCESS2;

    state ACCESS2:
        goto ACCESS3;

```

**Table A-1. 40 MHz DRAM Controller PLD Equation (Sheet 13 of 19)**

```

state ACCESS3:
    if(!W_R & BLAST) then IDLE
else
    ACCESS4;

state ACCESS4:
    if(W_R & LA2 & BLAST) then IDLE
else
    ACCESS5;

state ACCESS5:
    if(BLAST) then IDLE
else
    if(!W_R & !BLAST) then ACCESS2
else
    if(W_R & !BLAST) then ACCESS3
else
    IDLE;

state ACCESS6:
    goto IDLE;

state ACCESS7:
    goto REFRESH0;

state REFRESH0:
    goto REFRESH1;

state REFRESH1:
    goto REFRESH2;

state REFRESH2:
    goto REFRESH3;

state REFRESH3:
    goto REFRESH4;

state REFRESH4:
    goto REFRESH5;

state REFRESH5:
    goto IDLE;

state REFRESH6:
    goto IDLE;
.....
"Row/Column address select
.....
state_diagram ADDRMUX
    state ASSERT:
        if(!RASE) then DEASSERT
    else
        ASSERT;

    state DEASSERT:
        if(RASE) then ASSERT
    else
        DEASSERT;

```



Table A-1. 40 MHz DRAM Controller PLD Equation (Sheet 14 of 19)

```
.....  
"Refresh Counter 1  
.....  
state_diagram REFCT1  
  state Z0:  
    if(!Q3 & (REFCT2 == Z0)) then Z0  
  else  
    Z15;  
  
  state Z1:  
    if(Q3) then Z15  
  else  
    Z0;  
  
  state Z2:  
    if(Q3) then Z15  
  else  
    Z1;  
  
  state Z3:  
    if(Q3) then Z15  
  else  
    Z2;  
  
  state Z4:  
    if(Q3) then Z15  
  else  
    Z3;  
  
  state Z5:  
    if(Q3) then Z15  
  else  
    Z4;  
  
  state Z6:  
    if(Q3) then Z15  
  else  
    Z5;  
  
  state Z7:  
    if(Q3) then Z15  
  else  
    Z6;  
  
  state Z8:  
    if(Q3) then Z15  
  else  
    Z7;  
  
  state Z9:  
    if(Q3) then Z15  
  else  
    Z8;  
  
  state Z10:  
    if(Q3) then Z15  
  else  
    Z9;
```





**Table A-1. 40 MHz DRAM Controller PLD Equation (Sheet 15 of 19)**

```
state Z11:
    if(Q3) then Z15
    else
        Z10;

state Z12:
    if(Q3) then Z15
    else
        Z11;

state Z13:
    if(Q3) then Z15
    else
        Z12;

state Z14:
    if(Q3) then Z15
    else
        Z13;

state Z15:
    if(Q3) then Z15
    else
        Z14;
```

Table A-1. 40 MHz DRAM Controller PLD Equation (Sheet 16 of 19)

```

"Refresh Counter 2
state_diagram REFCT2
state Z0:
    if(Q3) then Z15
    else
        Z0;

state Z1:
    if(Q3) then Z15
    else
        if(!Q3 & (REFCT1 == Z0)) then Z0;
    else
        Z1;

state Z2:
    if(Q3) then Z15
    else
        if(!Q3 & (REFCT1 == Z0)) then Z1;
    else
        Z2;

state Z3:
    if(Q3) then Z15
    else
        if(!Q3 & (REFCT1 == Z0)) then Z2;
    else
        Z3;

state Z4:
    if(Q3) then Z15
    else
        if(!Q3 & (REFCT1 == Z0)) then Z3;
    else
        Z4;

state Z5:
    if(Q3) then Z15
    else
        if(!Q3 & (REFCT1 == Z0)) then Z4;
    else
        Z5;

state Z6:
    if(Q3) then Z15
    else
        if(!Q3 & (REFCT1 == Z0)) then Z5;
    else
        Z6;

state Z7:
    if(Q3) then Z15
    else
        if(!Q3 & (REFCT1 == Z0)) then Z6;
    else
        Z7;

```



Table A-1. 40 MHz DRAM Controller PLD Equation (Sheet 17 of 19)

```
state Z8:
    if(Q3) then Z15
else
    if(!Q3 & (REFCT1 == Z0)) then Z7;
else
    Z8;

state Z9:
    if(Q3) then Z15
else
    if(!Q3 & (REFCT1 == Z0)) then Z8;
else
    Z9;

state Z10:
    if(Q3) then Z15
else
    if(!Q3 & (REFCT1 == Z0)) then Z9;
else
    Z10;

state Z11:
    if(Q3) then Z15
else
    if(!Q3 & (REFCT1 == Z0)) then Z10;
else
    Z11;

state Z12:
    if(Q3) then Z15
else
    if(!Q3 & (REFCT1 == Z0)) then Z11;
else
    Z12;

state Z13:
    if(Q3) then Z15
else
    if(!Q3 & (REFCT1 == Z0)) then Z12;
else
    Z13;

state Z14:
    if(Q3) then Z15
else
    if(!Q3 & (REFCT1 == Z0)) then Z13;
else
    Z14;

state Z15:
    if(Q3) then Z15
else
    if(!Q3 & (REFCT1 == Z0)) then Z14;
else
    Z15;
```

Table A-1. 40 MHz DRAM Controller PLD Equation (Sheet 18 of 19)

```

"
" Equations
"
EQUATIONS

[Q3,Q2,Q1,Q0,!SELA,!SELB,!READY,!LA2,!ACC_PEND].clk = CLK1;
[Q3..Q0].RE = RESET;

[!LA2,!ACC_PEND,!READY,!SELA,!SELB].PR = RESET;
"
"Indicates wait state cycles
"
WAIT =      (CYCLE == ACCESS0) & W_R
            # (CYCLE == ACCESS1) & W_R
            # (CYCLE == ACCESS2) & W_R
            # (CYCLE == ACCESS3) & W_R;

[!MUX,!RASE,!RASO,!CASEE,!CASOO,A3E,A3O,!REFEVEN].clk = CLK1;
[!MUX,!RASE,!RASO,!CASEE,!CASOO,A3E,A3O,!REFEVEN].pr = RESET;

[!CASEB0,!CASEB1,!CASEB2,!CASEB3,!CASOB0,!CASOB1,!CASOB2,!CASOB3].clk = CLK1;

[T3,T2,T1,T0,S3,S2,S1,S0].clk = CLK1;
[T3,T2,T1,T0,S3,S2,S1,S0].pr = RESET;
"
"Refresh required indicator
"
REFREQ = !T3 & !T2 & !T1 & !T0 & !S3 & !S2 & !S1 & !S0;
"
"FLASH Chip Select
"
FLASHCS :=      ADS & FLASHADDR & !APK_ACTIVE
              # !ADS & !BLAST & FLASHCS;
"
"FLASH OE control
"
FLASHRD = FLASHCS & W_R;
"
"XCR OE control
"
XCROE :=      FLASHCS & !BLAST & !APK_ACTIVE
           # !ADS & LEDADDR & !BLAST;
"
"XCR DIR control
"
XCRDIR = W_R;
"
"Software reset indicator
"
SWRST :=      ADS & SWRSTADDR
           # !ADS & !BLAST & SWRST;
"
"Triggers the 7705
"
TRIGRST := TRIGRST;
TRIGRST.RE = SWRST;

```

Table A-1. 40 MHz DRAM Controller PLD Equation (Sheet 19 of 19)

```

"
"Pulse the HEX DISPLAY
"
LED_LAT := !ADS & LEDADDR & XCROE & !BLAST;
"
"Latched RASE or RASO
"
SRASE := RASE # RASO;
"
"DRAM data path control while reading
"
RDEN = !Q3 & W_R & RASE;
"
" Even DRAM data path control while writing
"
WRE = !Q3 & !W_R & RASE;
"
"Odd DRAM data path control while writing
"
WRO = !Q3 & !W_R & RASE;

[!FLASHCS,!XCROE,!SWRST,!TRIGRST,LED_LAT,SRASE].clk = CLK1;
[!FLASHCS,!XCROE,!SWRST,!TRIGRST].pr = RESET;
LED_LAT.RE = RESET;
"
"Latched external reset
"
RESET := EXTRST;
RESET.CLK = CLK1;

" Test vectors
end CX40T

```



Table A-2. Signal and Product Term Allocation

OUTPUTS		BURIED MACROCELLS	
Signal	Product Terms	Signal	Product Terms
$\overline{\text{RASE}}$	7	$\overline{\text{CASEE}}$	10
$\overline{\text{RASO}}$	7	$\overline{\text{CASOO}}$	9
$\overline{\text{READY}}$	6	Q3	3
A3E	3	Q2	8
A3O	3	Q1	9
$\overline{\text{SELA}}$	4	Q0	9
$\overline{\text{MUX}}$	1	$\overline{\text{ACC\_PEND}}$	5
$\overline{\text{RDEN}}$	1	$\overline{\text{LA2}}$	5
$\overline{\text{CASEB3}}$	3	$\overline{\text{WAIT}}$	3
$\overline{\text{CASEB2}}$	3	$\overline{\text{REFEVEN}}$	5
$\overline{\text{CASEB1}}$	3	T3	2
$\overline{\text{CASEB0}}$	3	T2	8
$\overline{\text{CASOB3}}$	5	T1	7
$\overline{\text{CASOB2}}$	5	T0	6
$\overline{\text{CASOB1}}$	5	S3	5
$\overline{\text{CASOB0}}$	5	S2	4
$\overline{\text{FLASHCS}}$	2	S1	3
$\overline{\text{FLASHRD}}$	1	S0	2
$\overline{\text{TRIGRST}}$	1	$\overline{\text{REFREQ}}$	1
$\overline{\text{XCROE}}$	2	$\overline{\text{SWRST}}$	2
$\overline{\text{XCRDIR}}$	1	$\overline{\text{SRASE}}$	1
$\overline{\text{RESET}}$	1		
$\overline{\text{WRE}}$	1		
$\overline{\text{WRO}}$	1		
LED_LAT	1		
$\overline{\text{SELB}}$	4		



## A

- A3EVEN state machine 5
- A3ODD state machine 5
- ACCESS state machine 3, 4
- access state machine 4
- ADDRMUX state machine 5

## B

- bank interleaving 1
- BANKSELECT state machine 5
- buffers
  - 74FCT244 4
- burst capabilities 1

## C

- CAS00 signal 6
- CASPIPE signal 5
- CASPIPE state machine 5
- CASPIPO signal 5
- CASPIPO state machine 5
- clock generation 3
  - skew 3
  - termination 3

## D

- DA0E signal
  - signals
    - DA0E 3
- DA00 signal
  - signals
    - DA00 3
- data path 4
- Double Word Read 3
- Double Word Write 3
- down counter (eight-bit synchronous) 3
- DRAM
  - burst buses 1
  - early write cycles 1
  - page mode 1
- DRAM controller
  - block diagram 2
  - overview 2

- DRAM design
  - address path logic 3
  - data path 4
  - performance 1
  - SIMMs 4

## G

- generating 3

## I

- IDLE state 4
- interleaving 1

## L

- leaves (two-way interleaving) 1

## M

- memory system performance 1
- multiplexers
  - 2-to-1 (74F257) 3

## O

- ODDACCESS state machine 5

## P

- PENDING state machine 3, 5

## Q

- Quad Word Read 3
- Quad Word Write 3

## R

- RAS precharge time 3
- RASE state machine 6
- RASO state machine 6
- RDEN signal 4, 6
- REFEVEN state machine 5
- REFREQ signal 3, 6
- refresh requests 3
  - generating 3
  - priorities 3

## S

- SEL signal 4
- signals
  - CASO0 6
  - CASPIPE 5
  - CASPIPO 5
  - RDEN 6
  - REDN 4
  - REFREQ 3, 6
  - SEL 4
  - SRASE 6
  - W\_R 2
  - WRE 6
  - WREN 4
  - WRO 6
- SIMMs 1, 14
  - termination 4
- Single Word Read 3
- Single Word Write 3
- SRASE signal 6
- SRASE state machine 6
- state machine
  - A3EVEN 5
  - A3ODD 5
  - ACCESS 3, 4
  - ADDRMUX 5
  - BANKSELECT 5
  - CASPIPE 5
  - CASPIPO 5
  - ODDACCESS 5
  - PENDING 3, 5
  - RASE 6
  - RASO 6
  - REFEVEN 5
  - SRASE 6
- state machines 5, 6
  - ACCESS 4
- states
  - IDLE state 4

## T

- Triple Word Read 3
- Triple Word Write 3
- 2-to-1 multiplexers (74F257) 3
- two-way interleaving 1

Index-2

## W

- W\_R signal 2
- wait state profiles 3
- WRE signal 6
- WRE signal 6
- WREN signal 4
- WRO signal 6

