



i960[®] Microprocessor User's Guide for Cyclone and PCI-SDK Evaluation Platforms

April 1996

Order Number: **272577-002**





Information in this document is provided in connection with Intel products. No license, express or implied, by estoppel or otherwise, to any intellectual property rights is granted by this document. Except as provided in Intel's Terms and Conditions of Sale for such products, Intel assumes no liability whatsoever, and Intel disclaims any express or implied warranty, relating to sale and/or use of Intel products including liability or warranties relating to fitness for a particular purpose, merchantability, or infringement of any patent, copyright or other intellectual property right. Intel products are not intended for use in medical, life saving, or life sustaining applications.

Intel may make changes to specifications and product descriptions at any time, without notice.

Contact your local Intel sales office or your distributor to obtain the latest specifications and before placing your product order.

Copies of documents which have an ordering number and are referenced in this document, or other Intel literature may be obtained by calling 1-800-548-4725 or by visiting Intel's website at <http://www.intel.com>.

Copyright © Intel Corporation, 1996

*Third-party brands and names are the property of their respective owners.



Contents

1	Introduction	1-1
1.1	Advantages and Features	1-2
1.2	About This Manual	1-2
1.2.1	Notation Conventions	1-3
1.3	Technical Support, Schematics, and PLD Equations.....	1-3
1.4	Additional Information.....	1-3
2	Getting Started	2-1
2.1	Pre-Installation Considerations	2-1
2.1.1	Software Development Tools	2-1
2.1.2	MON960 Debug Monitor	2-1
2.1.3	Host Communications	2-1
2.1.3.1	Terminal Emulation Method	2-2
2.1.3.2	Host Debugger Interface Library (HDIL) Method.....	2-2
2.1.3.3	Source Level Debugger.....	2-2
2.1.4	Power Requirements	2-2
2.2	Software Installation	2-3
2.2.1	Installing Software Development Tools	2-3
2.3	Hardware Installation.....	2-3
2.3.1	Verify Cyclone EP is Functional	2-3
2.4	Creating and Downloading the Example Program	2-4
2.4.1	MONDB.EXE-to-Cyclone EP Communication Support.....	2-4
2.4.2	Terminal Emulation-to-Cyclone EP Communication Support.....	2-6
3	Hardware Reference	3-1
3.1	Connectors, Switches, and LEDs.....	3-1
3.2	CPU Modules	3-2
3.2.1	CPU Module Installation	3-2
3.2.2	CPU Module Clock Frequencies	3-3
3.2.3	i960 [®] Jx/Hx CPU Counter/Timers	3-3
3.2.4	CPU Module V _{PP} Switch	3-3
3.3	CPU Memory Map.....	3-4
3.4	Interleaved DRAM	3-4
3.4.1	DRAM Performance	3-5
3.4.2	Upgrading SIMM DRAM.....	3-5
3.5	Flash Memory.....	3-6
3.5.1	SwapROM Switch	3-6
3.6	Interrupts	3-7
3.7	Console Serial Port	3-8
3.8	Parallel Port.....	3-9
3.8.1	Parallel Port Bit Assignments	3-9
3.9	Z8536 Counter I/O Unit (CIO)	3-10
3.9.1	Counter/Timers.....	3-10
3.9.2	CIO Port A	3-11
3.9.3	CIO Port B.....	3-12
3.9.4	CIO Port C.....	3-12
3.10	Non-Volatile Parameter Memory	3-13

3.11	Squall II Module Interface	3-13
3.12	PLX PCI 9060 Interface (PCI-SDK Platform Only).....	3-14
3.12.1	PCI 9060 Configuration	3-15
3.12.1.1	Accessing Configuration Registers	3-15
3.12.1.2	PCI-to-Local Configuration	3-16
3.12.1.3	RAM Region Configuration	3-18
3.12.1.4	Expansion ROM Region Configuration	3-21
3.12.1.5	Memory Region Configuration Examples.....	3-21
3.12.2	Local-to-PCI Configuration	3-23
3.12.3	Deadlock Configuration	3-26
3.12.4	Signalling Init Done	3-27
3.12.5	PCI Interrupts	3-27
3.12.5.1	Local PCI Interrupts	3-27
3.12.6	Mailbox Registers and Doorbell Interrupts	3-29
3.12.6.1	Using the Mailbox Registers.....	3-29
3.12.6.2	Generating Doorbell Interrupts.....	3-30
3.12.6.3	Receiving Doorbell Interrupts.....	3-30
3.12.7	DMA Programming.....	3-30
3.12.7.1	DMA Non-Chaining Mode	3-31
3.12.7.2	DMA Chaining Mode	3-32
3.12.7.3	DMA Interrupts	3-33

4	Theory of Operation.....	4-1
4.1	Functional Overview.....	4-1
4.2	Clock Generation	4-1
4.3	Power Monitor and Reset.....	4-2
4.4	I/O Interface	4-2
4.4.1	Functional Blocks	4-2
4.4.2	I/O Control Timing	4-3
4.4.3	Data Path	4-4
4.4.3.1	Parallel Port.....	4-4
4.4.3.2	Serial Port.....	4-5
4.5	DRAM Subsystem.....	4-6
4.5.1	Page Mode DRAM SIMM Review	4-6
4.5.1.1	Bank Interleaving.....	4-6
4.5.1.2	Wait State Performance	4-7
4.5.2	DRAM Controller Implementation.....	4-7
4.6	CAS# Generation.....	4-9
4.7	Refresh Generation.....	4-9



5	Squall II Module Interface	5-1
5.1	Physical Attributes	5-1
5.2	Power Requirements	5-3
5.3	Squall II Module Serial EEPROM	5-3
5.4	Squall II Module Signal Definitions	5-4
5.5	Squall Module Signal Descriptions	5-6
5.6	Squall II Module Timing	5-8
	5.6.1 Squall II Module Slave Timing	5-8
	5.6.2 Squall II Module Master Timing	5-12
5.7	Squall II Module Connector	5-17
5.8	Squall II Module Signal Loading and Logic Selection	5-18
5.9	Squall II Module Clock Termination	5-19
A	Parts List	A-1
	Index	Index-1

Figures

1-1	Cyclone EP and PCI-SDK Platform Functional Block Diagram	1-1
2-1	Download Messages	2-5
2-2	Program Execution Messages	2-6
3-1	Cyclone EP and PCI-SDK Platform Physical Diagram	3-1
3-2	DRAM Memory Map for Cyclone EP	3-4
3-3	CIO Port A	3-11
3-4	CIO Port B	3-12
3-5	CIO Port C	3-13
3-6	Non-Chaining DMA Initialization	3-31
3-7	Chaining DMA Initialization	3-32
4-1	I/O Control State Machine	4-3
4-2	Parallel Port Timing Signals	4-5
4-3	Two-way Interleaving	4-7
4-4	DRAM State Machine	4-8
5-1	Squall II Module Component Height Allowance	5-1
5-2	Squall II Module Dimensions	5-2
5-3	Squall II Module EEPROM Memory Map	5-4
5-4	Squall II Slave Read and Write Timing Diagram	5-10
5-5	Squall II Slave Burst Read Timing Diagram	5-11
5-6	Squall II Slave Burst Write Timing Diagram	5-12
5-7	Squall II Master Read and Write Timing Diagram	5-14
5-8	Squall II Master Burst Read and Write Timing Diagram	5-15
5-9	Squall II Master Read Using S_EXTEND#	5-16
5-10	Squall II Module Clock Termination	5-19

Tables

3-1	External Connectors and LEDs	3-2
3-2	CPU Module Frequency Switch Settings	3-3
3-3	i960 [®] Jx/Hx CPU Clock Rates	3-3
3-4	DRAM Access Times	3-5
3-5	DRAM SIMM Configurations	3-6
3-6	Flash ROM Addresses	3-6
3-7	Interrupt Sources.....	3-7
3-8	80960Sx and Kx Interrupt Sources	3-7
3-9	80960Sx and Kx Interrupt Switch Settings	3-8
3-10	UART Register Addresses	3-8
3-11	Parallel Port Addresses.....	3-9
3-12	Parallel Port Status Register Bit Assignments	3-9
3-13	Parallel Port Control Register Bit Assignments	3-10
3-14	CIO Register Address	3-10
3-15	CIO Port A Bits 5-3.....	3-11
3-16	CIO Port A Bits 2-0.....	3-11
3-17	Available Squall II Modules	3-14
3-18	Squall Module Compatibility at Maximum CPU Clock Speed (33 MHz)	3-14
3-19	Local Configuration Registers	3-17
3-20	PCI Configuration Registers.....	3-18
3-21	Memory Region 0 Settings	3-19
3-22	Local Address Space 0 Range Register	3-19
3-23	Local Address Space 0 Local Base Address (Re-map) Register Description	3-19
3-24	Local Bus Region Descriptor for PCI-to-Local Access Register Description	3-20
3-25	ROM Region Settings	3-21
3-26	Local Expansion ROM Local Base Address (Re-map) and BREQo Register Description	3-22
3-27	Local Expansion ROM Range Register Description	3-22
3-28	Local Range Register for Direct Master-to-PCI Description.....	3-23
3-29	PCI Base Address (Re-map) Register for Direct Master-to-PCI Description	3-24
3-30	Local Bus Base Address Register for Direct Master-to-PCI Memory	3-25
3-31	Local Base Address for Direct Master-to-PCI IO/CFG Register	3-25
3-32	PCI Configuration Address Register for Direct Master-to-PCI IO/CFG	3-25
3-33	Interrupt Control/Status	3-28
4-1	DRAM Profiles.....	4-8
5-1	Power Supply	5-3
5-2	Pin Description Nomenclature.....	5-5
5-3	Squall Module Signal Descriptions.....	5-6
5-4	Squall II Module Slave Timing.....	5-9
5-5	Squall II Module Master Timing.....	5-13
5-6	Squall II Module Pin Assignments.....	5-17
5-7	Squall II Module Signal Loading.....	5-18
A-1	Cyclone EP/PCI-SDK Platform Bill Of Materials	A-1

This user's guide describes the Cyclone evaluation platforms for Intel's family of i960[®] embedded processors:

- Cyclone EP — a standalone general purpose evaluation and development tool.
- PCI-SDK Platform — Cyclone EP equipped with a PCI bus interface. Part of Intel's PCI I/O Software Development Toolkit (SDK).

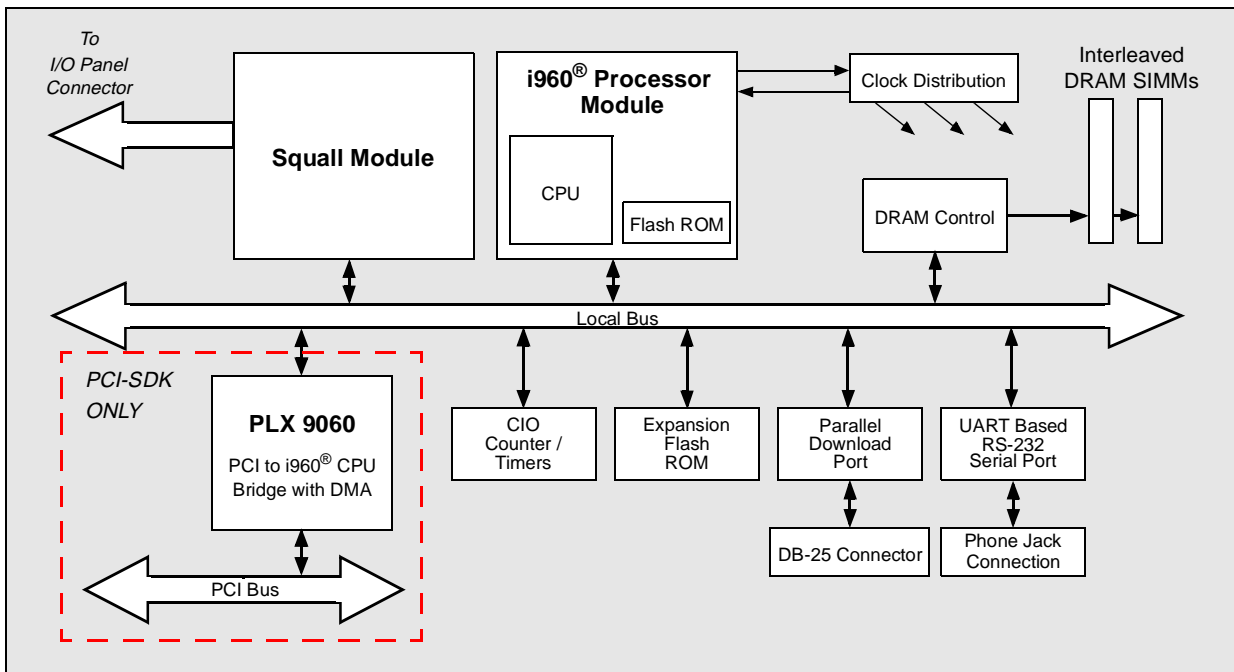
Both platforms allow you to connect one of several i960 CPU and Squall* modules. Using the different CPU modules, you can evaluate the various i960 processors in a system environment, or "benchmark" the performance of the various processors.

The PCI-SDK Platform — otherwise identical to the Cyclone EP — is equipped with PLX Technology's PCI 9060 (a PCI to 80960 bus bridge chip). The single-chip PCI 9060 features mailbox and doorbell registers that allow command and status information to pass between PCI bus devices and local bus devices. It can also generate PCI configuration cycles, which enables the PCI 9060 to become the PCI system host.

Unless otherwise noted, all references in this manual to "Cyclone EP" also apply to the PCI-SDK Platform. References that are specific to PCI-SDK Platform are clearly indicated.

Unless otherwise noted, all references in this manual to "Cyclone EP" also apply to the PCI-SDK Platform. References that are specific to PCI-SDK Platform are clearly indicated.

Figure 1-1. Cyclone EP and PCI-SDK Platform Functional Block Diagram



1.1 Advantages and Features

As shown in [Figure 1-1](#) and [Figure 3-1 “Cyclone EP and PCI-SDK Platform Physical Diagram,”](#) the features which make the Cyclone EP useful for evaluation and code development are:

- Interchangeable i960 processor modules (referred to as CPU modules)
- SIMM sockets which support 2, 8, or 32 Mbytes of DRAM
- Flash ROM sockets
- Three 16-bit counter/timers or one 32-bit and one 16-bit counter
- Squall II Module I/O expansion interface
- DIP switch selectable processor clock frequency
- DRAM controller automatically optimizes wait states to CPU frequency and memory speed
- RS-232 serial port
- Parallel download port (Centronics compatible)
- PCI Bus Interface (PCI-SDK Platform only)

1.2 About This Manual

This manual contains five chapters, one appendix and an index. A brief description of each follows:

Chapter 1, “Introduction”	Introduces Intel’s Cyclone Evaluation Platform and its features. Also defines notation conventions and related documentation.
Chapter 2, “Getting Started”	In this chapter, step-by-step instructions show you how to connect the Cyclone EP to a power supply and download and execute an example program. This chapter describes Intel’s software development tools, the MON960 Debug Monitor, software installation and hardware configuration.
Chapter 3, “Hardware Reference”	The location of the CPU and Squall modules, connectors, switches, and LEDs are described in this chapter. Also covered are the memory maps, I/O and memory operation. For the PCI-SDK Platform, this chapter describes the PCI 9060 interface and operation.
Chapter 4, “Theory of Operation”	This chapter describes functionality of the Cyclone Evaluation Platform’s subsystems. “ I/O Interface ” describes the general I/O implementation. Subsections further describe each functional block. “ DRAM Subsystem ” similarly defines the DRAM implementation. Also covered are Clock Generation, Reset, Interrupt and Ready Logic.
Chapter 5, “Squall II Module Interface”	Design information, electrical and physical specifications of the Squall II Module interface are described in this chapter. This information is useful when you wish to design and integrate your own Squall Modules. If you are using a standard Squall Module, refer to the specific module’s manual for information on the operation of that module.
Appendix A, “Parts List”	This appendix identifies Cyclone Evaluation Platform components and quantities, component reference name as it appears on the PC board, description of size or rating and the manufacturer’s part number. To order replacement parts contact the manufacturer listed in Table A-1 .

1.2.1 Notation Conventions

Hexadecimal Numbers	In text, hexadecimal numbers are shown with a suffix of "H" (e.g., XXXX XXXXH). In code examples and PLD files, and in text that refers to specific code examples, hex numbers are shown with a prefix of "0x" (e.g., 0XXXXXXXX).
#	Inverted clock signals are indicated with a trailing pound sign (RAS#).
Bold	Indicates user entry and/or commands.
<i>Italics</i>	Indicates a reference to related documents; also used to show emphasis.
typewriter font	Indicates code examples and file directories and names.
asterisks	On non-Intel company and product names, a trailing asterisk indicates the item is a trademark or registered trademark. Such brands and names are the property of their respective owners.

1.3 Technical Support, Schematics, and PLD Equations

For Technical assistance with the Cyclone EP, contact the Intel Technical Support Hotline. For information about technical support in other geographical areas, contact Intel's North America Technical Support Hotline.

You can also use your PC with modem to download Cyclone EP and PCI-SDK Platform schematics and PLD equations from Intel's Bulletin Board Service (BBS).

Intel Technical Support Hotline	<i>North America:</i> 800-628-8686 <i>Europe:</i> 44-793-696-000
Intel's Bulletin Board Service (BBS) for schematics and PLD equations	<i>North America:</i> 916-356-3600 supports up to 14.4 Kbps (n,8,1,p) <i>Europe:</i> 44-793-432-955

1.4 Additional Information

To order manuals from Intel, contact your local sales representative or Intel Literature Sales (1-800-879-4683).

Product	Document Name	Company / Order Number
All	Intel <i>Solutions960</i> [®] catalog	Intel 270791
80960Cx	<i>i960</i> [®] Cx Microprocessor User's Manual	Intel 270710
	<i>80960CA-33, -25, -16 32-Bit High Performance Embedded Processor Data Sheet</i>	Intel 270727
	<i>80960CF-33, -25, -16 32-Bit High Performance Superscalar Processor Data Sheet</i>	Intel 272187
	<i>80960CF-40 32-Bit High Performance Superscalar Processor Data Sheet</i>	Intel 272493
80960Jx	<i>i960</i> [®] Jx Microprocessor User's Manual	Intel 272483
	<i>80960JA/JF Embedded 32-Bit Microprocessor Data Sheet</i>	Intel 272504

Product	Document Name	Company / Order Number
80960Kx	<i>i960[®] KA/KB Microprocessor Programmer's Reference Manual</i>	Intel 270567
	<i>80960KB Hardware Designer's Reference Manual</i>	Intel 270564
	<i>80960KA Embedded 32-Bit Processor Data Sheet</i>	Intel 270775
	<i>80960KB Embedded 32-Bit Processor With Integrated Floating Point Unit Data Sheet</i>	Intel 270565
80960Sx	<i>i960[®] SA/SB Microprocessor Reference Manual</i>	Intel 270929
	<i>80960SA Embedded 32-Bit Processor With 16-Bit Burst Data Bus Data Sheet</i>	Intel 272206
	<i>80960SB Embedded 32-Bit Processor With 16-Bit Burst Data Bus and Integrated Floating Point Unit Data Sheet</i>	Intel 272207
Other	<i>MON960 Debug Monitor User's Guide</i>	Intel 484290
	<i>Z8536 CIO Counter/Timer Technical Manual</i>	Zilog, Inc.
	<i>16C550 Data Sheet</i>	Texas Instruments
	<i>24C08 Serial EEPROM Data Sheet</i>	Xicor, Inc.
	<i>Data Communications Local Area Networks UARTs Handbook</i>	National Semiconductor
	<i>PCI 9060 User's Guide / Data Sheet</i>	PLX Technology (800-759-3735)

To contact Cyclone Microsystems for additional information about their products:

Cyclone Microsystems 25 Science Park New Haven CT 06511	Phone: 203-786-5536
	FAX: 203-786-5025
	e-mail: info@cyclone.com

In this chapter, step-by-step instructions show you how to connect the Cyclone EP to a power supply and download and execute an example program. This chapter describes Intel's software development tools, the MON960 Debug Monitor, software installation and hardware configuration.

2.1 Pre-Installation Considerations

This section provides a general overview of the components required to develop and execute a program on the Cyclone EP. The *MON960 Debug Monitor User's Guide* (order number 484290) fully describes several of these components, including MON960 commands, Host Debugger Interface Library (HDIL) and the MONDB.EXE utility.

2.1.1 Software Development Tools

The Cyclone EP supports many software development tools¹. The installation instructions presented in this chapter were verified using GNU/960 and CTOOLS960 — Intel's i960® processor software development tools. Advanced C-language compilers for the i960 processor family are available for DOS-based systems and a variety of UNIX workstation hosts. These products provide execution profiling and instruction scheduling optimizations and also provide an assembler, linker and utilities designed for embedded processor software development.

The instructions in this section explain how to compile, link and execute an example program. If you are using other software development tools, read through this example to gain a general understanding of how to use your tools with this board.

2.1.2 MON960 Debug Monitor

The Cyclone EP is equipped with Intel's MON960 — an on-board software monitor which allows you to execute and debug programs written for i960 processors. The monitor provides program download, breakpoint, single step, memory display and other useful functions for running and debugging a program.

The Cyclone EP works with source-level debuggers, such as the DB960 and GDB960. The source-level debugger must support the Host Debugger Interface Library (HDIL) defined by MON960.

2.1.3 Host Communications

MON960 allows you to communicate and download programs developed for the Cyclone EP across a PC's serial, parallel, or PCI interface and a UNIX workstation's serial interface. The Cyclone EP supports two methods: Terminal emulation and Host Debugger Interface Library (HDIL).

1. Refer to Intel's *Solutions960*® catalog for a complete list of i960 processor software development and debug tools.

2.1.3.1 Terminal Emulation Method

Terminal emulation software on your system communicates to MON960 on the Cyclone EP via an RS-232 serial port. Serial downloads via terminal emulation require an intelligent host computer that supports XMODEM (a standard transfer protocol). General system requirements are:

- DOS-based computer with PROCOMM*, CROSSTALK* or other telecommunication programs
- UNIX* workstation with an external serial port (e.g., SUN*)

Configure the serial port for 1200-115200 baud, 8 bits, one stop bit, no parity.

2.1.3.2 Host Debugger Interface Library (HDIL) Method

The MONDB.EXE utility, provided with MON960, allows you to download, execute and debug an application program on the Cyclone EP. This utility differs from standard terminal emulation programs in that it allows you to download executable images through a serial or parallel port, or via the PCI bus. When using the serial port, the MONDB.EXE utility supports the standard baud rates (from 1200 to 115200 baud) to communicate and download to the Cyclone EP. Downloading via either the parallel port or PCI bus is typically much faster than a serial port; actual performance depends on your system's hardware capabilities. Refer to *MON960 Debug Monitor User's Guide* for detailed information.

2.1.3.3 Source Level Debugger

You may use a source-level debugger, such as Intel's DB960, GDB960 or other, to establish serial communications with the Cyclone EP. The MON960 Host Debugger Interface Library (HDIL) provides the interface between MON960 and these types of debuggers.

2.1.4 Power Requirements

The Cyclone EP requires a stable power source of at least 3.5 A at +5 VDC. The included power supply meets these requirements and connects to J7. If a card is designed for the expansion bus which requires more than 1.0 A, you need to obtain a suitable power supply. To program FLASH devices, you must supply a FLASH programming voltage through J6. J6 uses a standard PC-AT power connector pinout that provides +5 VDC and +12 VDC to the board. J7 provides +5 VDC only. See [Figure 3-1 "Cyclone EP and PCI-SDK Platform Physical Diagram"](#) on page 3-1, for J6, J7 locations.

The PCI-SDK Platform draws power from the PCI bus; it does not require an external power source. The PCI bus also provides the voltages needed for FLASH programming.

2.2 Software Installation

2.2.1 Installing Software Development Tools

If you haven't done so already, install your development software (CTOOLS960, GNU/960 or other) as described in their respective manuals. All further references to CTOOLS960 or GNU/960 assume the default directories in the respective installation program were selected. You must install the tools before you run the example program as described in [Section 2.4, "Creating and Downloading the Example Program"](#) on page 2-4.

The example program provided on the MON960 diskette enables you to use CTOOLS960 or GNU/960 (or other) to compile a sample application program. If you are using other software tools, these instructions generally apply; however, in some steps you will need to refer to their respective manuals for compatible commands.

2.3 Hardware Installation

Follow these instructions to get your new Cyclone EP running. Be sure you have all items listed on the checklist provided with your Cyclone Evaluation Platform.

2.3.1 Verify Cyclone EP is Functional

Warning: MAKE SURE YOU ARE GROUNDED BEFORE REMOVING THE ANTI-STATIC BAG. OTHERWISE, SEVERE DAMAGE MAY OCCUR TO THE BOARD.

1. Visually inspect the board for any damage that may have occurred during shipment. If there are visible defects, return the board for replacement.
2. Place the board in a static-free area; always take precautions to minimize static electricity.
3. Verify that an i960 processor module is installed.
4. Verify that the SwapROM switch (S1 position 3) DIP switch is set to OFF.
5. To install the PCI-SDK Platform in a host system PCI slot, follow the manufacturer's instructions for opening the host system and installing an expansion board in a PCI slot.
6. Serial port connection for communicating and downloading: connect the RS-232 cable — the "phone cord" — from an appropriate port (COM1 or COM2 on a PC) to J5 on the Cyclone EP. Your system has either a DB-9 (9-pin) or a DB-25 (25-pin) connector for its RS-232 port. Both 9-pin and 25-pin connectors are provided.
7. Parallel port connection (optional if using MONDB.EXE) for downloading: connect a 25-pin to 25-pin parallel port cable from an appropriate port (LPT1 or LPT2 on a PC) to J1 on the Cyclone EP.
8. Power supply connections (not required for the PCI-SDK Platform): the Cyclone EP has two power connectors: J6 and J7. Refer to [Section 2.1.4, "Power Requirements"](#) on page 2-2 for a description of these connectors; see [Figure 3-1 "Cyclone EP and PCI-SDK Platform Physical Diagram"](#) on page 3-1 to verify locations.

Warning: FAILURE TO PROPERLY CONNECT THE POWER CABLE COULD RESULT IN SEVERE DAMAGE TO THE BOARD.

If using the power supply provided with the Cyclone EP, plug the power supply cable into connector J7. The power supply operates with 120 VAC @ 60 Hz.

If using a power supply that provides +5 VDC, +12 VDC and ground (supply not provided), plug the power supply cable into connector J6.

The PCI-SDK Platform draws power from the PCI bus and should not be connected to an external power supply.

9. Check for power within tolerance. The +5V and +3.3V LEDs should be lit. The -12V and +12V power sources are optional on the standalone board, but should be lit when a PCI-SDK Platform is installed in a PCI slot.

Upon power up the Fail LED should turn OFF, indicating the processor has passed its self test. The green Run LED should light, indicating that the processor is performing bus cycles.

2.4 Creating and Downloading the Example Program

When you install MON960 on DOS, a text file (ZZ\EXAMPLE\CYCLONE\IMAGE.TXT) describes how to compile, assemble and link the example program. The text file describes how to create the executable image. For this example, the image file is named SIEVE.XX (“XX” is either Cx, Hx, Jx, Kx, or Sx, depending on which CPU module you are using).

If you are using MONDB.EXE on DOS to communicate with the Cyclone EP, continue to [Section 2.4.1](#). If using a terminal emulation program, proceed to [Section 2.4.2](#), “Terminal Emulation-to-Cyclone EP Communication Support” on page 2-6.

2.4.1 MONDB.EXE-to-Cyclone EP Communication Support

To invoke the MONDB.EXE utility and download your application program: make sure you are in the . . \CYCLONE directory and, at the DOS prompt, enter DWNLD followed by the name of the image file (filename is not case sensitive). For example, for the Cx CPU module, enter:

```
DWNLD SIEVE.CX
```

DWNLD invokes a batch file (DWNLD.BAT) which contains MONDB.EXE commands which configure serial port 1, parallel port 1, and set the baud rate to 19200. You can use a text editor to modify this batch file such that it is correct for your system’s configuration. Refer to *MON960 Debug Monitor User’s Guide* for a description of all commands.

[Figure 2-1](#) shows the messages that display during the download. If using the serial port, the download time increases depending on the baud rate.

Figure 2-1. Download Messages

```
Section 0, name .text, address 0xA0008000, size 0x6a9c, flags 0x20
writing section at 0xA0008000
Section 1, name .data, address 0xA000ea9c, size 0x4, flags 0x40
writing section at 0xA000ea9c
Section 2, name .bss, address 0xA000ea90, size 0x6d0, flags 0x80 -- noload
Download stats 0.050 sec elapsed, 545920 bytes/sec (533.3Kb/sec)
Starting execution at 0xA0008000 use CTRL-C to interrupt.

>>> Start of sieves test. <<<
  Sieve of Eratosthenes (scaled to 10 Iterations)

  Array Size   Primes   Last Prime   BenchTime
  (Bytes)     Found
  8191         1899      16381        0.060
  10000        2261      19997        0.073
  20000        4202      39989        0.149
  40000        7836      79999        0.301
  80000        14683     160001       0.610
  160000       27607     319993       1.235

  Relative to 10 Iterations and the 8191 Array Size:
  Average BenchTime = 0.060 (sec)
>>> End of sieves test. <<<
Program Exit: 0
```

2.4.2 Terminal Emulation-to-Cyclone EP Communication Support

1. Invoke the terminal emulation program that you are using to communicate with the Cyclone EP.
2. To establish communication between the terminal emulation program and MON960, press <ENTER>. The MON960 prompt should appear. If it does not, press the RESET button.
3. When the MON960 prompt appears, enter **do** to download:
=> **do**
4. Start your terminal emulation program transfer mode and send `SIEVE.XX`. The following message displays when transfer completes:
-- Download complete --
Start address is: XXXXXXX=>
5. To execute your program: at the MON960 prompt, enter **go**:
=> **go**
(**go** = go from start or continue from breakpoint)

The messages in [Figure 2-2](#) display when the program completes (times may vary slightly). The example program has now been successfully compiled, assembled, linked, downloaded and executed.

Figure 2-2. Program Execution Messages

```
>>> Start of sieves test. <<<
Sieve of Eratosthenes (scaled to 10 Iterations)

Array Size   Primes   Last Prime   BenchTime
(Bytes)      Found
8191         1899      16381        0.060
10000        2261      19997        0.073
20000        4202      39989        0.149
40000        7836      79999        0.301
80000        14683     160001       0.610
160000       27607     319993       1.235

Relative to 10 Iterations and the 8191 Array Size:
Average BenchTime = 0.061 (sec)
>>> End of sieves test. <<<
Program Exit: 0
=>
```


The location of the CPU and Squall modules, connectors, switches, and LEDs are described in this chapter. Also covered are the memory maps, I/O and memory operation. For the PCI-SDK Platform, this chapter describes the PCI 9060 interface and operation.

3.1 Connectors, Switches, and LEDs

Figure 3-1 shows the physical location of the components you need to understand to use the Cyclone Evaluation Platform; Table 3-1 describes the function of each. For a complete list of components, refer to Appendix A, "Parts List".

Figure 3-1. Cyclone EP and PCI-SDK Platform Physical Diagram

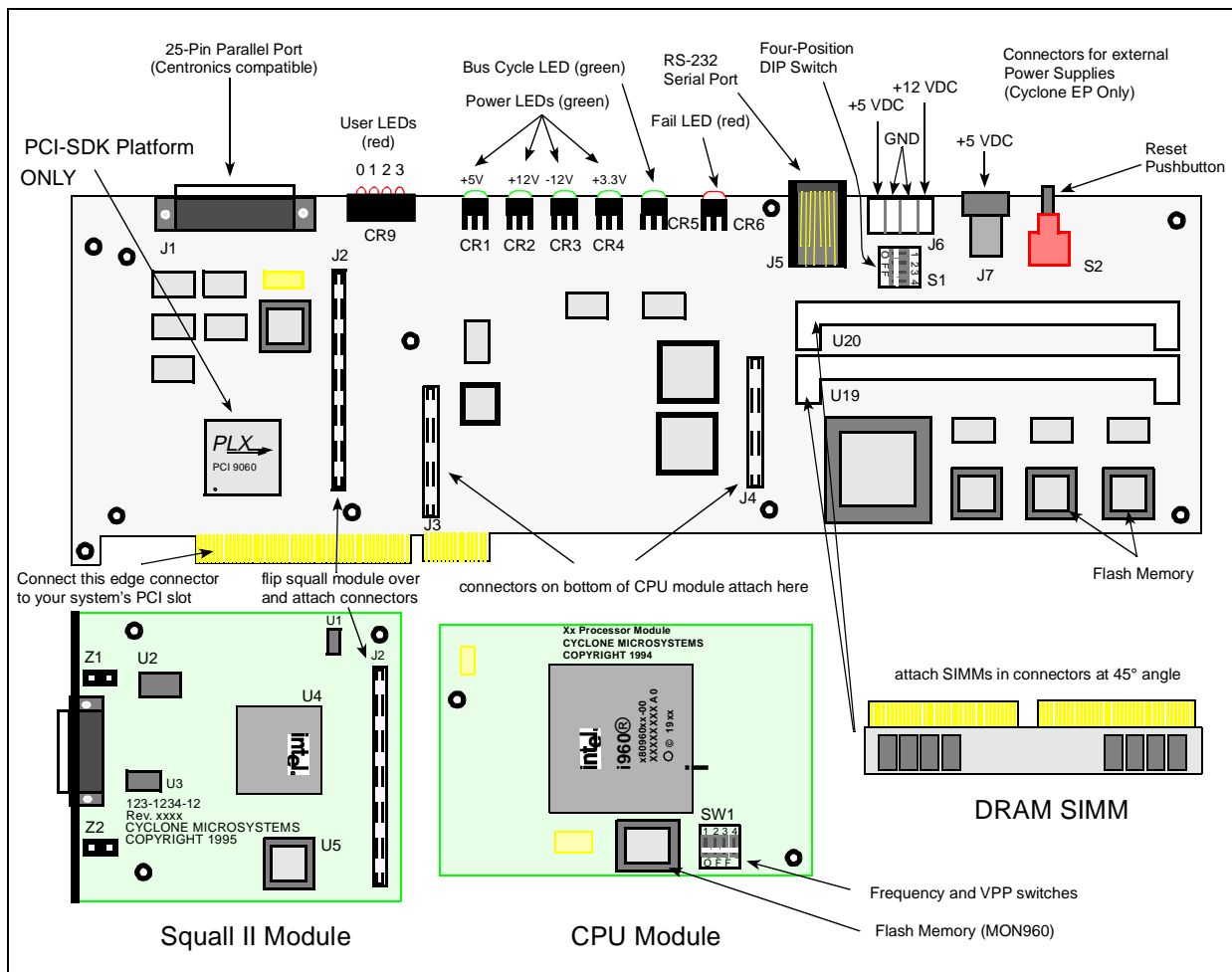


Table 3-1. External Connectors and LEDs

Function	Ref.	Description
Power +5 VDC (Cyclone EP only)	J7	A one-pin connector that interfaces to the primary power supply and cable (supplied). Provides +5 VDC and ground connections. (On the PCI-SDK Platform, power is supplied through the edge connector.)
Power +5 VDC, +12 VDC (Cyclone EP only)	J6	A four-pin connector that interfaces to a secondary power supply and cable (not supplied). Three of the connector pins connect to +5 VDC, +12 VDC and ground. (On the PCI-SDK Platform, power is supplied through the edge connector.)
LED (GREEN)	CR1 CR2 CR3 CR4 CR5	Lit when +5V is in tolerance Lit when +12V is in tolerance Lit when -12V is in tolerance Lit when +3.3V and +5V is in tolerance Lit when processor is performing bus cycles.
LED (RED)	CR6	Lit if processor fails self test or CPU module is not installed.
User LEDs (RED)	CR9	Four user-programmable LEDs; programmed via CIO Port C.
Serial Port (RS-232)	J5	An RJ-11 (“phone plug”) connector for serial communication and download.
Parallel Port (Centronics-compatible)	J1	A DB-25 connector for parallel download.
Squall II Interface	J2	Allows Squall II Module expansion. I/O devices are given direct access to the memory system.
i960 Processor Module (CPU Module)	J3, J4	Modules which allow all current and future i960 processors to be used on the Cyclone EP and PCI-SDK Platform.
Four-position DIP Switch	S1	S1.1 Enables VPP to Cyclone EP base board Flash ROMs S1.2 Enables UART Interrupt Request to the NMI S1.3 ROMSWAP - causes the addresses of the CPU Module ROM and the base board ROMs to be exchanged. If switch is OFF the processor boots from the CPU Module ROM. If switch is ON the processor boots from base board ROMs.
Reset pushbutton	S2	Used to manually reset the Cyclone EP.
DRAM SIMM Sockets	U19-U20	Supports up to 32 Mbytes of standard 72-pin SIMMs.

3.2 CPU Modules

As shown in [Figure 3-1](#), a CPU module is a smaller board that attaches directly onto the Cyclone EP. Several CPU modules are available — one for each member of the i960 processor family. Each module contains a i960 processor, boot Flash ROM with the MON960 monitor, appropriate glue logic and configuration switches.

3.2.1 CPU Module Installation

CPU modules are easy to install when a few guidelines are observed:

- Make sure the power is OFF before you install or remove a CPU module.
- Do not “peel” connectors. Peeling is the action of lifting one end of the connector before the other. This can bend or break the pins and connectors.

3.2.2 CPU Module Clock Frequencies

The CPU modules have user-assignable clock frequencies. Make sure you do NOT select a frequency faster than the installed processor is capable of running. Table 3-2 outlines the processor frequency switch settings. It is recommended that you remove power before you change the switch settings; however, if you change the switch settings while power is connected, press the reset switch to reboot the processor at the new frequency.

Note: DO NOT select a frequency faster than the installed processor is capable of running.

Table 3-2. CPU Module Frequency Switch Settings

Frequency	FREQ2 (Pos2)	FREQ1 (Pos3)	FREQ0 (Pos4)	Switch Diagram ^{1,2}
16 MHz	ON	OFF	ON	
20 MHz	ON	OFF	OFF	
25 MHz	OFF	ON	ON	
33 MHz	OFF	ON	OFF	
40 MHz	OFF	OFF	ON	
50 MHz	OFF	OFF	OFF	

NOTES:

1. On the 80960Sx and Kx CPU Modules, the CPU Module Frequency Switch is labeled SW2. On all other 80960 CPU Modules, the CPU Module Frequency Switch is labeled SW1.
2. CPU module switch position 1 (Pos1) is the V_{PP} switch. It is recommended that you leave it OFF. (Factory default position.)

3.2.3 i960[®] Jx/Hx CPU Counter/Timers

The i960 Jx and Hx processors are equipped with two on-chip counter/timers. These timers are clocked at the CPU clock rate which does not correspond exactly with the CPU Module Frequency Switch settings. Use Table 3-3 to determine the exact CPU clock frequency.

Table 3-3. i960[®] Jx/Hx CPU Clock Rates

CPU Frequency Switch Setting	CPU Clock Frequency
16 MHz	16.11 MHz
20 MHz	20.05 MHz
25 MHz	25.06 MHz
33 MHz	33.41 MHz
40 MHz	40.09 MHz

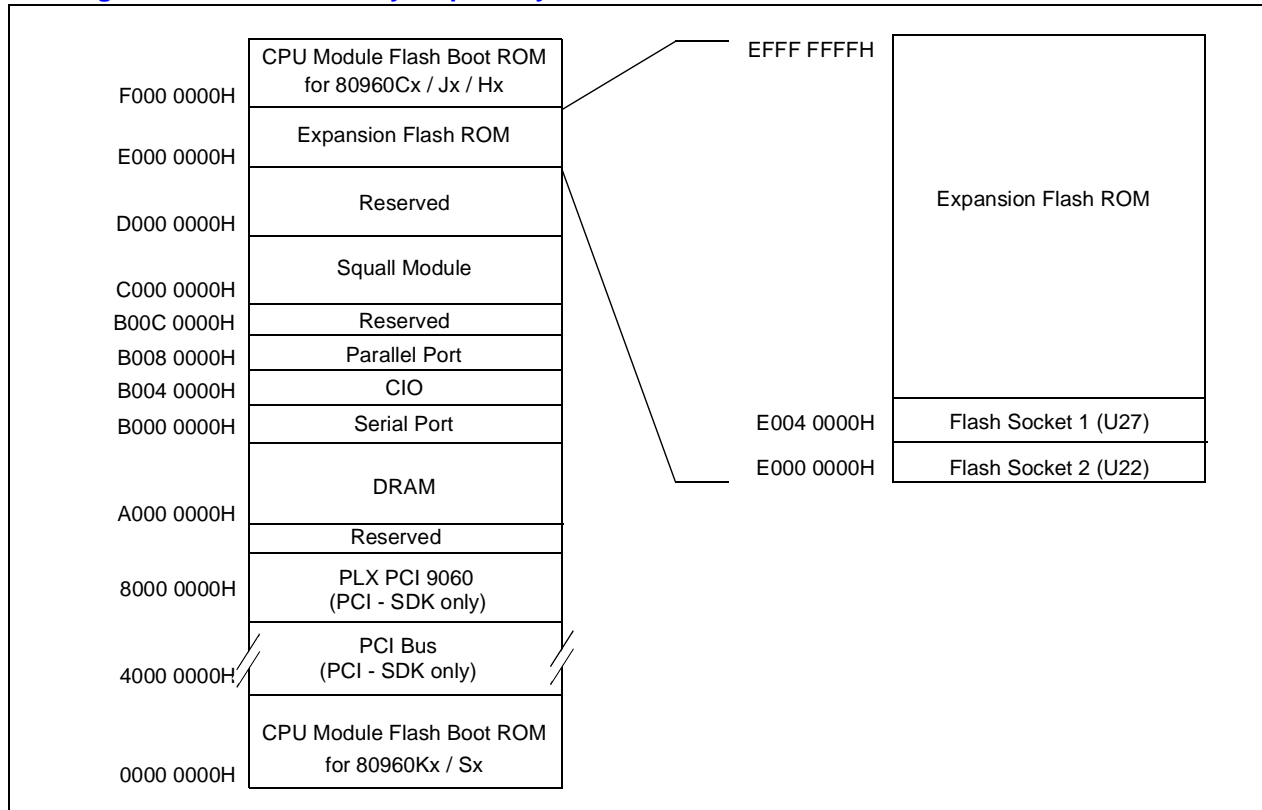
3.2.4 CPU Module V_{PP} Switch

The V_{PP} Switch (switch position 1 in Table 3-2) enables/disables V_{PP} to the boot Flash ROMs located on the CPU module. It is recommended that this switch remain set to OFF (the default setting from the factory). When V_{PP} is enabled (switch in ON position), the processor may not be able to boot from ROM if the power sequencing of +5V and +12V is not correct.

3.3 CPU Memory Map

As indicated in [Figure 3-2](#), the memory map is organized to take advantage of the i960 Cx, Hx, and Jx processors' bus sizing capabilities. Memories and I/O devices are described in the sections following the figure.

Figure 3-2. DRAM Memory Map for Cyclone EP



3.4 Interleaved DRAM

The Cyclone EP is initially configured with 2 Mbytes of interleaved DRAM. This memory, located in the SIMM sockets, is upgradeable to 8 or 32 Mbytes. [Figure 3-1 on page 3-1](#) shows the SIMMs and sockets. [Section 3.4.2](#) discusses the DRAM configuration options.

Access to this DRAM can be shared with the Squall II Module I/O device's DMA controller. A priority arbitration circuit ensures that only one device is using the memory at a time.

3.4.1 DRAM Performance

The DRAM controller automatically adjusts wait states based on processor type, processor clock frequency, and memory speed. The controller supports burst transfers using the interleaved banks to maximize performance. Table 3-4 lists DRAM performance.

The default memory configuration uses 70 ns memory. At processor frequencies of 25 and 40 MHz, wait states are reduced using 60 ns memory.

Table 3-4. DRAM Access Times

Frequency	Operation	DRAM Speed	Clock Cycles	Wait States	Sustained Bandwidth ¹
16 MHz	Read	60, 70ns	3,1,1,1	1,0,0,0	36 Mbytes/sec
20 MHz	Read	60, 70ns	3,1,1,1	1,0,0,0	45 Mbytes/sec
25 MHz	Read	60ns	3,1,1,1	1,0,0,0	66 Mbytes/sec
25 MHz	Read	70ns	4,1,1,1,1 ²	2,0,0,0	50 Mbytes/sec
33 MHz	Read	60, 70ns	4,1,1,1,1 ²	2,0,0,0	66 Mbytes/sec
40 MHz	Read	60ns	4,1,1,1,1 ²	2,0,0,0	80 Mbytes/sec
40 MHz	Read	70ns	5,2,2,2,1 ²	3,1,1,1	53 Mbytes/sec
16 MHz	Write	60, 70ns	3,2,2,2	1,1,1,1	25.6 Mbytes/sec
20 MHz	Write	60, 70ns	3,2,2,2	1,1,1,1	32 Mbytes/sec
25 MHz	Write	60ns	3,2,2,2	1,1,1,1	44.5 Mbytes/sec
25 MHz	Write	70ns	4,2,2,2,1 ²	2,1,1,1	36 Mbytes/sec
33 MHz	Write	60, 70ns	4,2,2,2,1 ²	2,1,1,1	48 Mbytes/sec
40 MHz	Write	60ns	4,2,2,2,1 ²	2,1,1,1	58 Mbytes/sec
40 MHz	Write	70ns	4,2,2,2,1 ²	2,1,1,1	58 Mbytes/sec

NOTES:

1. Bandwidths stated are sustained bandwidths, not peak.
2. The extra cycle is the overhead of DRAM precharge. DRAM precharge time only impacts back-to-back cycles.

3.4.2 Upgrading SIMM DRAM

On-board DRAM is located in two SIMM sockets as shown in Figure 3-1. The standard configuration is 2 Mbytes of memory and may be upgraded to 8 or 32 Mbytes. Table 3-5 shows the modules which you may use. The memory modules should use 60 or 70 ns Fast Page Mode DRAM (60 ns memory results in better performance at 25 and 40 MHz operation). Use fast page mode, x32 or x36, 72 pin SIMMs.

The SIMM block consists of two standard 72-pin SIMM sockets, arranged as two banks. Both SIMM sockets must contain SIMMs; these cannot be left empty. The sockets accept the following SIMM types.

- 256 Kbyte x 32 = 1 Mbyte
- 1 Mbyte x 32 = 4 Mbyte
- 4 Mbyte x 32 = 16 Mbyte
- 256 Kbyte x 36 = 1 Mbyte
- 1 Mbyte x 36 = 4 Mbyte
- 4 Mbyte x 36 = 16 Mbyte

The x36 SIMM parity bits are not used in this design. However, the x36 SIMMs are standard for PCs and workstations, which makes them more readily available. The only penalty is more loading on the address and control lines due to the extra DRAM devices on the x36 SIMM.

All address and control lines to the SIMMs are terminated with 22 ohm resistors.

Table 3-5. DRAM SIMM Configurations

Total Memory (both modules)	Module Type
2 Mbytes	256K x 32 (1 Mbyte)
8 Mbytes	1M x 32 (4 Mbytes)
32 Mbytes	4M x 32 (16 Mbytes)

Note: Both SIMM modules must be installed; SIMM sockets cannot be empty.

The board has no shunts or switches to change for a memory upgrade. Memory speed is indicated by the Presence Detect Signals; the DRAM controller automatically adjusts to minimum wait states for the processor frequency and memory speeds. The initialization code automatically sizes the memory so user software can take advantage of larger memory modules.

3.5 Flash Memory

The Cyclone EP provides two banks of Flash memory: a primary memory bank on the CPU module and an expansion bank on the base board. The default configuration of this memory is as the boot memory containing the MON960 monitor. The second bank of memory is two sockets for Intel 28F020 devices (Intel part number N28F020-200) in locations U22 and U27. These memory devices may be used for user application code, or using the SwapROM switch, as boot memory.

3.5.1 SwapROM Switch

The SwapROM switch (third switch on SW1) exchanges the addresses of the CPU module boot ROM and the expansion ROMs to allow the processor to boot from the expansion ROM. [Table 3-6](#) shows the address of the Flash ROMs relative to the SwapROM switch. [Figure 3-1](#) shows SW1 switch location.

Note: This feature is supported for all i960 processors except for Kx and Sx processors. These must boot from boot ROMs and, therefore, must have the SwapROM switch set to OFF.

Table 3-6. Flash ROM Addresses

ROM Type	SwapROM Switch OFF	SwapROM Switch ON
CPU Module Boot ROM	F000 0000H	E000 0000H
Expansion ROM0 (U22)	E000 0000H	F000 0000H
Expansion ROM1 (U27)	E004 0000H	F004 0000H

If a single Expansion ROM is used as a Boot ROM, use location U27 (ROM1) so the i960 processor finds the IBR at the top of the memory map.

3.6 Interrupts

The Cyclone EP has seven interrupt sources. The CPU module assumes the interrupts are direct mapped. [Table 3-7](#) lists the interrupt sources and the corresponding XINT# signals. All interrupts are level sensitive except the Squall II Module IRQ0 and IRQ1; these are dependent on the particular Squall II Module installed.

Table 3-7. Interrupt Sources

XINT Signal	Interrupt Source
XINT0#	PLX PCI 9060
XINT1#	Parallel Port
XINT2#	PCI 9060 LSERR#
XINT3#	Deadlock Error
XINT4#	Squall II Module IRQ0
XINT5#	Squall II Module IRQ1
XINT6#	Counter/Timers (Z8536)
XINT7#	Serial Port (16C550)

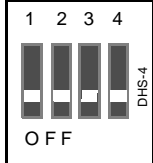
The Sx and Kx processors have only four dedicated interrupt signals. A dip switch is provided on the Sx and Kx CPU modules to map the six possible interrupt sources to the four direct mapped interrupt inputs. [Table 3-8](#) outlines the interrupt mapping for the Sx and Kx CPU modules.

The interrupt sources to INT1 and INT2 are selected using SW-1 on Sx and Kx modules. [Table 3-9](#) shows all valid combinations. Positions 1 and 2 select the interrupt source to INT1 and both cannot be ON or OFF simultaneously. Likewise, positions 3 and 4 select the interrupt source to INT2 and both cannot be ON or OFF simultaneously.

Table 3-8. 80960Sx and Kx Interrupt Sources

INT Signal	Interrupt Source
INT0	Counter/Timers (Z8536)
INT1	Serial Port UART (16C550) or Squall II Module IRQ1
INT2	Parallel Port or PLX PCI 9060
INT3	Squall II Module IRQ0

Table 3-9. 80960Sx and Kx Interrupt Switch Settings

Interrupt Source	Pos1	Pos2	Pos3	Pos4	Switch Diagram
Serial Port UART PLX PCI 9060	ON†	OFF†	OFF†	ON†	
Squall II Module IRQ1 PLX PCI 9060	OFF	ON	OFF†	ON†	
Serial Port UART Parallel Port	ON†	OFF†	ON	OFF	
Squall II Module IRQ1 Parallel Port	OFF	ON	ON	OFF	

† Factory default position

3.7 Console Serial Port

The Cyclone EP has a single console port with an RS-232 line interface. The port uses a phone plug connector, and the board is supplied with a phone jack to DB25 cable.

The serial port is implemented with a 16C550 UART clocked with a 1.843 MHz clock. The device may be programmed to use this clock with the internal baud rate counters. The serial port may be run at baud rates between 1200 and 115200 baud. Refer to the 16C550 device data book for a detailed description of the registers and device operation.

Table 3-10. UART Register Addresses

Address	Read Register	Write Register
B000 0000H	Receive Holding Register	Transmit Holding Register
B000 0004H	Unused	Interrupt Enable Register
B000 0008H	Interrupt Status Register	FIFO Control Register
B000 000CH	Unused	Line Control Register
B000 0010H	Unused	Modem Control Register
B000 0014H	Line Status Register	Unused
B000 0018H	Modem Status Register	Unused
B000 001CH	Scratchpad Register	Scratchpad Register LSB of Divisor Latch MSB of Divisor Latch

3.8 Parallel Port

A Centronics PC-compatible receive-only parallel port is implemented on the Cyclone EP. You access and control the parallel port by using three memory-mapped registers (see [Table 3-11](#)):

- Parallel port data register
- Parallel port status register
- Parallel port control register

The port uses a DB25 connector with PC-compatible pin assignments. A cable is included with the Cyclone EP to facilitate downloading of code from a host development workstation or PC.

Table 3-11. Parallel Port Addresses

Address	Read Register	Write Register
B008 0000H	Status Register	Control Register
B008 0004H	Data Register	Unused

3.8.1 Parallel Port Bit Assignments

[Table 3-12](#) shows the read-only parallel port status register bit assignments.

Table 3-12. Parallel Port Status Register Bit Assignments

Bit	Signal Mnemonic	Signal Name
7	not used	—
6	not used	—
5	BUSY	Bus Busy
4	ACK	Acknowledge
3	PPSLCTIN	Select In
2	PPFEED	Paper Feed
1	PSTROBE#	Data Strobe
0	PPINIT#	Port Initialize

The parallel port control register is a write-only 8-bit register that controls parallel port operation. This register also contains an interrupt enable bit (PINTEN) that enables the parallel port interrupt. When the interrupt is enabled, an interrupt is signaled when either PSTROBE# or PPINIT# is asserted. The interrupt is cleared when the parallel port data register is read. [Table 3-12](#) shows the parallel port control register.

Table 3-13. Parallel Port Control Register Bit Assignments

Bit	Signal Mnemonic	Signal Name
7	not used	—
6	not used	—
5	not used	—
4	BUSY_CTRL	Busy Control
3	PINTEN	Enable Interrupt
2	PPOUT	Paper Out
1	PPSEL	Select Out
0	PPERR#	Error Output

3.9 Z8536 Counter I/O Unit (CIO)

The Z8536 device performs several functions on the Cyclone EP. The device provides three 16-bit counter/timers that may be used to generate interrupts or count events. The CIO generates interrupts on the processor's XINT6# signal. The CIO also contains three parallel ports which are used for on-board control and status such as reading and writing the on-board and Squall Module EEPROMs, and to read the board's configuration. The following subsections outline the Cyclone EP's specific usage of the CIO. For detailed programming instructions, refer to the Zilog Z8536 Technical Manual.

Table 3-14. CIO Register Address

Register	Address	Description
Port C Data	B004 0000H	User LEDs
Port B Data	B004 0004H	EEPROM Clock & Data
Port A Data	B004 0008H	Control Bits
CIO Control Register	B004 000CH	CIO Configuration & Control

3.9.1 Counter/Timers

Three 16-bit counter/timers can be used to generate interrupts on the processor's XINT6# signal. Counters 1 and 2 can be linked internally to provide a 32-bit counter for longer timing sequences. The CIO is clocked with a 4.000 MHz ($\pm 0.01\%$) clock. Internally, this signal is divided by 2, which actually clocks the counters with a 2.000 MHz clock. Example code for using the counter/timers may be found in the MON960 Board Test (bt) code.

3.9.2 CIO Port A

Port A, an 8-bit input port, is used to report CPU and memory module configuration:

- Bits 0-2 report the CPU module processor type.
- Bits 3-5 report on the selected CPU module frequency.
- Bit 6 reports on the speed of the installed DRAM.
- Bit 7 is the PCI 9060 Installed Bit.

Example code for initializing and reading this register is located in the initialization portion of the MON960.

Figure 3-3 shows the bits and bit definitions; tables following the figure define the bit functions.

Figure 3-3. CIO Port A

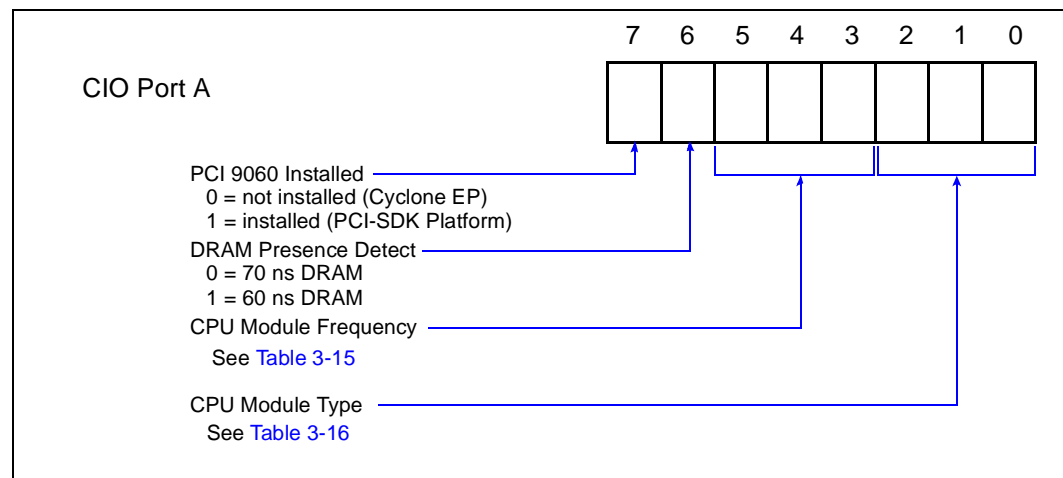


Table 3-15. CIO Port A Bits 5-3

Frequency	CPU Module Frequency Signals
16 MHz	010
20 MHz	011
25 MHz	100
33 MHz	101
40 MHz	110

Table 3-16. CIO Port A Bits 2-0

Module Type	CPU Module Type Signals
80960Sx	000
80960Kx	001
80960Cx	010
80960Hx	011

Table 3-16. CIO Port A Bits 2-0

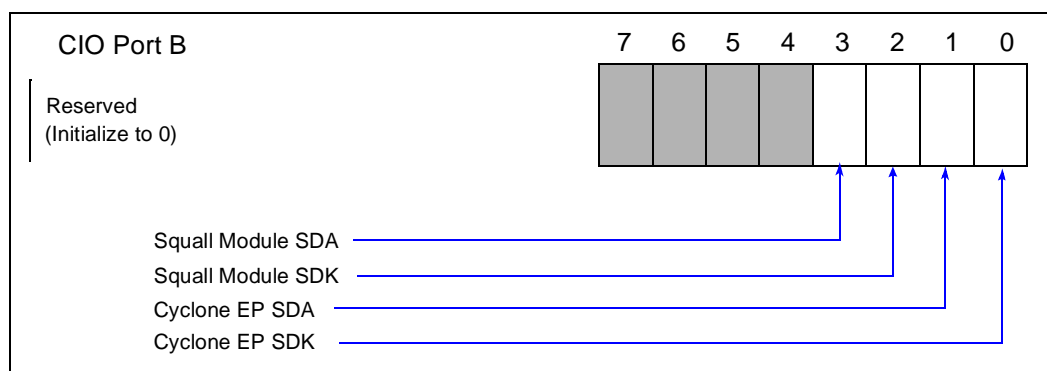
Module Type	CPU Module Type Signals
80960Jx	100
Reserved†	101
Reserved†	110
Reserved†	111

† Reserved for future processors

3.9.3 CIO Port B

Port B is an 8-bit I/O port used to clock, read and write the serial EEPROMs located on the Cyclone EP and the Squall II Module. Configure the port as open collector bidirectional pins. [Figure 3-4](#) shows the pin assignments. [Section 5.3, “Squall II Module Serial EEPROM”](#) on [page 5-3](#) discusses the serial EEPROMs and reserved data fields. Cyclone Microsystems has written code to read and write the serial EEPROMs, which is included in the initialization portion of the MON960.

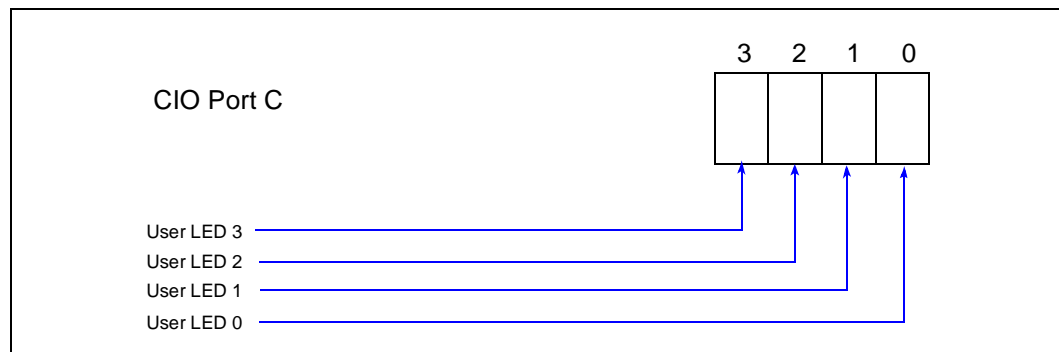
Figure 3-4. CIO Port B



3.9.4 CIO Port C

Port C is a 4-bit output-only port used to drive the four User LEDs (CR9) on the Cyclone EP. These LEDs are provided as an aid in debugging. As shown in [Figure 3-1](#), the leftmost LED is LED 0, which corresponds to CIO Port C bit 0; the rightmost LED is LED 3, which corresponds to CIO Port C bit 3. Setting bits (writing a 1) in CIO Port C register turns ON the corresponding LED; clearing bits (writing a 0) turns the LEDs OFF.

Figure 3-5. CIO Port C



3.10 Non-Volatile Parameter Memory

The Cyclone EP has a 1 Kbyte x8 EEPROM memory which may be used for storing operating system and other default parameters. The memory is read and written in a serial fashion using Port B of the CIO (Z8536). (Refer to a Xicor, Inc. 24C08 data sheet for technical information.) Cyclone has written routines to access these devices; the routines are included in the initialization portion of MON960.

Like the 24C08 EEPROM on every Squall II Module, bytes are read from and written to the EEPROM's most significant bit (bit 7) first and least significant bit (bit 0) last. The contents of the on-board EEPROM are not defined by Cyclone. User software may use this storage for any purpose, although it is intended for non-volatile storage of an operating system's boot parameters. Real-time kernels, such as VxWorks* and pSOSystem*, use this memory for the storage of boot parameters.

3.11 Squall II Module Interface

The Cyclone EP contains a single Squall II Module expansion location and connector. Cyclone Microsystems has many off-the-shelf modules available; users are also encouraged to build their own modules. [Chapter 5](#) contains complete electrical and mechanical specifications of the Squall II Module. [Table 3-17](#) lists the Squall II Modules currently available from Cyclone Microsystems. [Table 3-18](#) shows the i960 CPU / Squall module compatibility.

See [Section 1.4, "Additional Information" on page 1-3](#) for information on how to contact Cyclone Microsystems. They are continually developing new modules and will consider the development of custom modules.

Table 3-17. Available Squall II Modules

Module	Description
SQ01	Ethernet (82596CA)
SQ10	SCSI-2 (NCR 53C710)
SQ11	SCSI-2 Wide (NCR 53C720)
SQ20	High Speed Serial with DMA; Two RS-422 (Hitachi 64570)
SQ40	Parallel Input with Differential Receivers

Table 3-18. Squall Module Compatibility at Maximum CPU Clock Speed (33 MHz)

CPU Type	SQ01	SQ10	SQ11	SQ20	SQ40
80960Sx	YES ¹	NO ²	NO ²	NO ³	NO
80960Kx	YES ¹	YES	YES	NO ⁴	YES
80960Cx	YES	YES	YES	YES	YES
80960Jx	YES	YES	YES	YES	YES
80960Hx	YES	YES	YES	YES	YES

NOTES:

1. Edge Triggered Interrupt must be translated to level-sensitive.
2. NCR153C720 device must be accessed by 32-bit CPU.
3. HD64570 registers have been mapped to short work boundaries.
4. HD64570 registers are mapped requiring 16-bit bus width. 80960Kx supports 32-bit bus width only.

3.12 PLX PCI 9060 Interface (PCI-SDK Platform Only)

PLX Technology's PCI 9060 device provides the PCI-SDK Platform with a PCI bus interface, allowing high-bandwidth data transfer between the PCI-SDK Platform and host or target hardware connected to the PCI bus. The PCI 9060 has several programmable features designed to allow maximum throughput on the PCI bus:

- Bus Mastering
- PCI interrupts (host-to-PCI 9060 and PCI 9060-to-host)
- On-chip read and write FIFOs to support PCI burst transfers
- Eight 32-bit mailbox registers
- Two 32-bit doorbell registers
- Two channel, bi-directional DMA

3.12.1 PCI 9060 Configuration

PCI 9060 configuration is a two step process. Local (i960-side) configuration is performed by user code running on the PCI-SDK Platform. When this code has finished, a bit is set which allows the PCI 9060 to accept PCI accesses from the host system. The host-side configuration is generally handled by start-up code contained in the BIOS on the host system, although some cases may require that additional initialization is performed by a device driver or user application.

Registers on the PCI 9060 are divided into four groups. Refer to PLX Technology's PCI 9060 documentation for detailed register descriptions:

- PCI Configuration Registers
- Local Configuration Registers
- Shared Run Time Registers
- Local DMA Registers

The PCI Configuration, Local Configuration, and Shared Run Time register groups are accessible to both the local i960 processor and the host system; the Local DMA registers are accessible only to the local processor. The PCI Configuration registers are initialized by the host system, and need not be programmed from the i960-side during initialization. Local Configuration registers control the mapping of memory from the PCI-SDK Platform into PCI space on the host system.

If memory on the PCI-SDK Platform will be accessible from the PCI bus, code running on the PCI-SDK Platform must initialize several registers in the Local Configuration group. In the Shared Run Time register group, the Interrupt Control/Status (E8H) and EEPROM Control (ECH) registers must also be programmed from the i960-side during initialization. When complete, the configuration code must set the PCI 9060 to allow PCI accesses, and the host initialization will begin.

Note: Configure the PCI 9060 for 32-bit i960 Cx CPU mode regardless of the actual CPU module installed.

For configuration examples, refer to the MON960 configuration code for the PCI 9060 included with the PCI-SDK Platform. The initial configuration can be divided into the following steps:

- PCI-to-local address mapping setup
- Local-to-PCI address mapping setup
- Deadlock handling setup

3.12.1.1 Accessing Configuration Registers

Code running on the PCI-SDK Platform can access configuration registers on the PCI 9060 by adding the offset of the desired register to the PCI 9060 select address (8000 0000H). (Refer to PLX PCI 9060 documentation for offset values.) Thus, to access Mailbox Register 0 (C0H), the address would be 8000 00C0H.

The register descriptions in PLX PCI 9060 documentation indicate whether a register can be read and/or written from the local bus. Writing to a read-only register or bit location on the PCI 9060 has no ill-effects; the value is simply not latched.

Once the PCI-SDK Platform is initialized by local code, some of its configuration registers are accessible to other PCI masters. The PCI Configuration, Local Configuration, and Shared Run Time register groups are visible from the PCI bus. The PCI Configuration group is accessed via configuration space on the host system, but the other two groups are accessed at offsets above the PCI 9060 register base address. To access PCI configuration registers from the PCI bus, host-side code must use the appropriate PCI BIOS services.

The base address for the Local Configuration and Shared Run Time registers may be in either memory, I/O space, or both, depending on how the i960 processor configures the PCI 9060. During start-up, the BIOS on the host system assigns base addresses to the PCI 9060. Host-side code can determine the base address of the PCI 9060 registers by reading the PCI Base Address for Memory Mapped Runtime Registers (10H) and the PCI Base Address for I/O Mapped Runtime Registers (14H) from the PCI Configuration group using configuration cycles. A non-zero value in these registers indicates that PCI 9060 registers are mapped into the corresponding PCI space. It is possible for runtime registers to be mapped into both memory and I/O space on the host system.

[Table 3-19](#) shows the local configuration register offsets; [Table 3-20](#) shows the PCI configuration registers. If a register will be accessed by the host from the PCI bus, create the register address by adding its PCI offset to the base address of either the Memory Mapped Runtime Registers or the I/O Mapped Runtime Registers. The same PCI offsets should be used whether the registers are mapped in memory or I/O space.

Until the PCI 9060 has been configured by code running on the PCI-SDK Platform, it will respond to any PCI accesses by signalling RETRY.

3.12.1.2 PCI-to-Local Configuration

Before PCI 9060 memory can be accessed through the PCI interface, code on the PCI-SDK Platform must configure the memory regions which will be visible to PCI masters. The PCI 9060 allows one RAM region and one PCI expansion ROM area to be configured as PCI regions.

Both of these regions are controlled by the contents of registers in the Local Configuration group (see [Table 3-19](#)) which determine region size, location in local memory space, and where it will be mapped in PCI space. [Table 3-20](#) shows the PCI configuration registers. The size and local address are set by programming the Range and Local Base Address registers for the region; the location of the region in PCI space is subsequently set in the PCI configuration header by the host system, depending on the register control bit settings.

Table 3-20. PCI Configuration Registers

Local (Offset from chip select address)	31	24	23	16	15	8	7	0	PCI CFG Register Address
00H	Device ID				Vendor ID				00H
04H	Status				Command				04H
08H	Class Code						Revision ID		08H
0CH	BIST		Header Type		Latency Timer		Cache Line Size		0CH
10H	PCI Base Address for Memory Mapped Runtime Registers								10H
14H	PCI Base Address for I/O Mapped Runtime Registers								14H
18H	PCI Base Address for Local Address Space 0								18H
1CH									1CH
20H									20H
24H									24H
28H	Reserved								28H
2CH	Reserved								2CH
30H	PCI Base Address to Local Expansion ROM								30H
34H	Reserved								34H
38H	Reserved								38H
3CH	Max_lat		Min_Gnt		Interrupt Pin		Interrupt Line		3CH

3.12.1.3 RAM Region Configuration

The range for PCI-to-Local Address Space 0 Register (80H) (see [Table 3-22](#)) determines which address bits are used to decode an access to a particular region.

User code should clear (write a “0” to) as many low bits in the Range Register as needed to address the memory region, and all remaining higher bits should be set (write a “1”).

The Local Base Address for PCI-to-Local Address Space 0 Register (84H) (see [Table 3-23](#)) should then be programmed with the local address of the RAM region. When a PCI access to the local memory region is performed, the PCI address is changed to the local address by the PCI 9060 chip. The number of set bits in the Range Register for that region determine the number of bits to be changed. This effectively determines the size of the region. Memory space enable, pre-fetch, and PCI space are controlled by the contents of the lower bits of the Range and Local Address Registers.

The Local Bus Region Descriptor for PCI-to-Local Accesses Register (98H) (see [Table 3-25](#)) contains control settings for ROM region programming. [Table 3-21](#) shows the required settings for memory region 0 on the PCI-SDK Platform.

See [Section 3.12.1.5, “Memory Region Configuration Examples”](#) on page 3-21 for an illustration of RAM region configuration on the PCI-SDK Platform.

Table 3-21. Memory Region 0 Settings

Bits	Function	Setting
1:0	Bus Width	11 (32 Bit Bus Width)
5:2	Internal Wait States	0 (No Wait States)
6	READY Input Enable	1 (Enabled)
7	BTERM Input Enable	0 (Disabled)

Table 3-22. Local Address Space 0 Range Register

Field	Description	Read	Write	Value after Reset (Cold PC Reset)
0	Memory space indicator: 0 indicates Local address space 0 maps into PCI memory space. 1 indicates address space 0 maps into PCI I/O space.	Yes	Yes	0
2:1	If mapped into memory space, encoding is as follows: 2 1 Meaning 0 0 locate anywhere in 32 bit PCI address space 0 1 locate below 1 Mbyte in PCI address space 1 0 locate anywhere in 64 bit PCI address space 1 1 reserved If mapped into I/O space, bit 1 must be a 0. Bit 2 is included with bits 3 through 31 to indicate decoding range.	Yes	Yes	0
3	If mapped into memory space, 1 indicates that reads are prefetchable. If mapped into I/O space, bit is included with bits 2 through 31 to indicate decoding range. 0 indicates reads are not prefetchable. This must be 0 on the PCI-SDK Platform.	Yes	Yes	0
31:4	Specifies which PCI address bits are used to decode a PCI access to local bus space 0. Each bit corresponds to an address bit. Bit 31 corresponds to Address bit 31. Set (=1) all bits to be included in decode; clear (=0) all other bits. (Used in conjunction with PCI Configuration register 18H). Default is 1 Meg.	Yes	Yes	FFF0 000H

Table 3-23. Local Address Space 0 Local Base Address (Re-map) Register Description

Field	Description	Read	Write	Value after Reset (Cold PC Reset)
0	Space 0 Enable: 0 disables Decode of PCI addresses for Direct Slave access to local space 0; 1 enables Decode.	Yes	Yes	0
1	Not Used	Yes	Yes	0
3:2	If local space 0 is mapped into memory space, bits are not used. If mapped into I/O space, bit is included with bits 4 through 31 for re-mapping.	Yes	Yes	0
31:4	Re-map of PCI Address to Local Address Space 0 into a Local Address Space. The bits in this register will re-map (replace) the PCI Address bits used in decode as the Local Address bits.	Yes	Yes	0

Table 3-24. Local Bus Region Descriptor for PCI-to-Local Access Register Description

Field	Description	Read	Write	Value after Reset (Cold PC Reset)
1:0	Memory Space 0 Local Bus Width: 00 indicates a bus width of 8 bits 01 indicates a bus width of 16 bits 10 or 11 indicates a bus width of 32 bits Must be set to 11 (32 bit bus width)	Yes	Yes	11
5:2	Memory Space 0 Internal Wait States. Must be 0.	Yes	Yes	0
6	Memory Space 0 READY Input Enable: 0 disables the READY input; 1 enables READY input. Must be 1.	Yes	Yes	0
7	Memory Space 0 BTERM Input Enable: 0 disables BTERM input; 1 enables BTERM input. Must be 0.	Yes	Yes	0
15:8	Not Used	Yes	Yes	0
17:16	Expansion ROM Space Local Bus Width: 00 indicates a bus width of 8 bits; 01 indicates a bus width of 16 bits; 10 or 11 indicates a bus width of 32 bits Must be 00 - expansion flash is 8 bits wide on the PCI-SDK Platform.	Yes	Yes	11
21:18	Expansion ROM Space Internal Wait States. Must be 0.	Yes	Yes	0
22	Expansion ROM Space READY Input Enable: 0 disables READY input; 1 enables READY input. Must be 1.	Yes	Yes	0
23	Expansion ROM Space BTERM Input Enable: 0 disables BTERM input; 1 enables BTERM input. Must be 0.	Yes	Yes	0
24	Memory Space 0 Burst Enable: 0 disables bursting; 1 enables bursting. Must be 1.	Yes	Yes	0
25	Not Used	Yes	Yes	0
26	Expansion ROM Space Burst Enable: 0 disables bursting; 1 enables bursting. Must be 0.	Yes	Yes	0
27	Direct Slave PCI write mode. 0 - PCI 9060 disconnects when the Direct Slave write FIFO is full. 1 - PCI 9060 de-asserts TRDY when the write FIFO is full.	Yes	Yes	0
31:28	PCI Target Retry Delay Clocks. Contains the value (multiplied by 8) of the number of PCI bus clocks after receiving a PCI-Local read or write access and not successfully completing a transfer. Only pertains to Direct Slave writes when bit 27 is set to 1.	Yes	Yes	4 (32 clocks)

3.12.1.4 Expansion ROM Region Configuration

The PCI specification allows expansion boards to include device-specific initialization code in PCI expansion ROM, which is executed at start-up on the host system. Expansion ROM on the PCI-SDK Platform can be configured as a PCI expansion ROM region by programming two Local Configuration registers on the PCI 9060. The Local Base Address for PCI-to-Local Expansion ROM and BREQo Control Register (94H) (see [Table 3-27](#)) should be programmed with the base address of the expansion ROM on the local bus.

Initialization code should clear as many bits in the Range for PCI-to-Local Expansion ROM Register (90H) (see [Table 3-26](#)) as necessary to address the ROM region; the remaining upper bits should be set.

Unlike RAM region remapping, the ROM region is enabled by default. To disable the ROM region, user code should clear the Enable bit in the PCI Base Address to Local Expansion ROM (30H) and clear the Local Base Address Register (94H).

The Local Bus Region Descriptor for PCI-to-Local Accesses Register (98H) contains control settings for the expansion ROM region. [Table 3-25](#) shows the settings required for a ROM region on the PCI-SDK Platform. See [Section 3.12.1.5, “Memory Region Configuration Examples” on page 3-21](#) for an illustration of the expansion ROM region configuration.

Table 3-25. ROM Region Settings

Bits	Function	Setting
1:0	Bus Width	11 (32 Bit Bus Width)
5:2	Internal Wait States	0 (No Wait States)
6	READY Input Enable	1 (Enabled)
7	BTERM Input Enable	0 (Disabled)

3.12.1.5 Memory Region Configuration Examples

MON960 determines the size of installed DRAM and configures the DRAM as a PCI memory region. Suppose 8 Mbytes of DRAM are located at local address A0000000H through A07FFFFFFH. To configure this region to be visible in memory space on the PCI bus, the following register settings must be made:

Local Address Space 0 Range Register (80H) - FF800000H

- An 8 Mbyte space is being mapped, so the lower 23 bits are needed to decode an access and must be clear. The upper 9 (set) bits of a PCI-to-local access to this region are replaced with the contents of the Local Address Space 0 Local Base Address Register (84H). Bit 0 is clear, so memory is mapped into PCI memory space. Bits 1 and 2 are clear, so the host system maps this region anywhere in 32-bit PCI address space. Bit 3 is clear, indicating that the memory in this region is not pre-fetchable.

Local Address Space 0 Local Base Address Register (84H) - A000001H

- The upper 9 bits of this register replace those used to access the local memory from PCI, since 9 bits are set in the Range Register. Bit 0 is set, enabling PCI accesses to this space. Bit 1 is not used and, since this region is mapped into memory space, bits 2 and 3 are also unused.

Local Bus Region Descriptor for PCI-to-Local Accesses Register (98H) -

- All RAM regions on the PCI-SDK Platform should use the settings in [Table 3-21](#) for this register.

Table 3-26. Local Expansion ROM Local Base Address (Re-map) and BREQo Register Description

Field	Description	Read	Write	Value after Reset (Cold PC Reset)
3:0	Direct Slave BREQo Delay Clocks. Number of local bus clocks in which a Direct Slave HOLD request is pending and a Local Direct Master access is in progress and not being granted the bus (HOLDA) before asserting BREQo. Once asserted, BREQo remains asserted until the PCI 9060 receives HOLDA (LSB= 8 clocks). See Section 3.12.3, "Deadlock Configuration" on page 3-26 for setting this register.	Yes	Yes	0
4	Local Bus BREQo Enable. A 1 value enables the PCI 9060 to assert the BREQo output.	Yes	Yes	0
10:5	Not Used	Yes	No	0
31:11	Re-map of PCI Expansion ROM space into a Local address space. The bits in this register re-map (replace) the PCI address bits used in decode as the Local address bits.	Yes	Yes	FFFF000H

Table 3-27. Local Expansion ROM Range Register Description

Field	Description	Read	Write	Value after Reset (Cold PC Reset)
10:0	Not used	Yes	Yes	0
31:11	Specifies which PCI address bits are used to decode a PCI-to-local bus expansion ROM. Each bit corresponds to an Address bit 31. Set (=1) all bits included in decode; clear (=0) all others (Used in conjunction with PCI Configuration register 30H). Default is 64 KBytes.	Yes	Yes	FFFF000H

MON960 configures the PCI-SDK Platform's 512 Kbyte expansion ROM address range, E0000000H to E007FFFFH, as PCI expansion ROM. To configure this memory as a PCI expansion ROM region, the following settings must be made:

Range for PCI-to-Local Expansion ROM Register (90H) - FFF80000H

- A 512 Kbyte space is being mapped, so the lower 19 bits of this register are needed to decode an access. The remaining 13 upper bits are set to 1, so these bits are replaced with the contents of the Local Base Address for PCI-to-Local Expansion ROM (94H). The lower 10 bits of this register are not used.

Local Base Address for PCI-to-Local Expansion ROM (94H) - E0000017H

- Bits 11 to 31 of this register contain the local address of the expansion ROM. Bits 5 to 10 are unused. Bit 4 is the Local Bus BREQo Enable, and is discussed in [Section 3.12.3, "Deadlock Configuration"](#) on page 3-26. This bit must be enabled for proper operation of the PCI-SDK

Platform. Bits 0 to 3 encode the number of delay clocks to wait before asserting BREQo. This value is also discussed in the section on deadlock. Setting these bits to 7 selects a 56-clock delay.

Local Bus Region Descriptor for PCI-to-Local Accesses Register (98H) -

- All ROM regions on the PCI-SDK Platform should use the settings in [Table 3-26](#) for this register.

3.12.2 Local-to-PCI Configuration

To use the PCI-SDK Platform as a PCI bus master, the PCI 9060 requires that the portion of PCI space to be accessed is mapped into the local processor's address space. The PCI 9060 can access memory or I/O space on the PCI bus through region mapping, and it can also generate configuration cycles.

Address mapping is controlled by five registers in the Local Configuration group. If the PCI-SDK Platform is used to access PCI space, the Range for Direct Master-to-PCI Register (9CH) ([Table 3-28](#)) and PCI Base Address for Direct Master-to-PCI Register (A8H) ([Table 3-29](#)) registers must be programmed for local-to-PCI accesses.

PCI memory space and I/O space are mapped to separate local processor regions. To access PCI memory space, the Local Base Address for Direct Master-to-PCI Memory Register (A0H) ([Table 3-30](#)) must be programmed with the local address to which PCI memory space should be mapped.

For PCI-SDK Platform access to PCI I/O or configuration spaces, the Local Base Address for Direct Master-to-PCI IO/CFG Register (A4H) ([Table 3-31](#)) must also be programmed with a local base address.

If both memory and I/O spaces are to be accessed, the local base address registers should be programmed with different values to prevent address spaces from overlapping. Configuration cycles produced by the PCI 9060 are controlled by the PCI Configuration Address Register (ACH) ([Table 3-32](#)). If the Configuration Enable bit in this register is set, the PCI 9060 converts I/O space accesses to configuration space accesses using the values programmed into this register.

Local-to-PCI bus options are controlled by settings in the PCI Base Address Register (A8H). Bit 0 must be set (=1) to enable accesses-to-PCI memory space; bit 1 must be set to enable I/O accesses. Bit 2 controls LOCK input from the PCI bus, and should be set. Bit 3 controls pre-fetch size for PCI master accesses, and should be cleared (=0). Bit 4 is used to change the behavior of the PCI 9060 when the read FIFO is full. It can remain cleared unless there is some reason to change it. Bits 5 to 7 control the programmable almost full flag on the PCI 9060. This feature is not implemented on the PCI-SDK Platform, so these bits should all be cleared.

Table 3-28. Local Range Register for Direct Master-to-PCI Description

Field	Description	Read	Write	Value after Reset (Cold PC Reset)
15:0	Not Used (64 Kbyte increments)	Yes	No	0
31:16	Specifies which Local address bits are used to decode a Local-to-PCI bus access. Each bit corresponds to an address bit. Bit 31 corresponds to Address bit 31. Set (=1) all bits included in decode; clear (=0) all other bits.	Yes	Yes	0

Table 3-29. PCI Base Address (Re-map) Register for Direct Master-to-PCI Description

Field	Description	Read	Write	Value after Reset (Cold PC Reset)
0	Direct Master Memory Access Enable: 0 disables decode of Direct Master Memory accesses. 1 enables decode of Direct Master Memory accesses.	Yes	Yes	0
1	Direct Master I/O Access Enable: 0 disables decode of Direct Master I/O accesses. 1 enables decode of Direct Master I/O accesses.	Yes	Yes	0
2	LOCK Input Enable: 0 disables the LOCK input. 1 enables LOCK input (enables PCI locked sequences).	Yes	Yes	0
3	Direct Master Read Pre-fetch Size control: 0 - the PCI 9060 continues to prefetch read data until the Direct Master access is finished. This may result in an additional four un-needed Lwords being pre-fetched from the PCI bus. 1 - PCI 9060 reads up to four Lwords from the PCI bus for each Direct Master burst read access. Do not use this mode for direct master burst reads that exceed four Lwords.	Yes	Yes	0
4	Direct Master PCI read mode: 0 - PCI 9060 releases the PCI bus when the read FIFO becomes full. 1 - PCI 9060 keeps the PCI bus and deasserts IRDY when the read FIFO becomes full.	Yes	Yes	0
7:5	Programmable Almost Full Flag. When the number of entries in the 8-deep direct master write FIFO exceed this value, the output pin DMPAF# is asserted low. Not Used.	Yes	Yes	0
15:8	Not Used.	Yes	No	0
31:16	Re-map of Local-to-PCI space into a PCI address space. These bits re-map (replace) Local address bits used in decode as the PCI address bits.	Yes	Yes	0

MON960 configures a 1 Gbyte region of PCI memory at PCI address 00000000H through 3FFFFFFFH into local memory space at address 40000000H through 7FFFFFFFH. The register settings are:

Local Range for Direct Master-to-PCI Register (9CH) - C0000000H

- Since 30 bits are needed to encode a 1 Gbyte address space, the lower 30 bits of this register are cleared (=0); the remaining upper 2 bits are set (=1). The set bits are replaced by the contents of the upper two bits of the PCI Base Address Register (A8H) when a local-to-PCI memory access is detected.

Local Bus Base Address for Direct Master-to-PCI Register (A0H) - 40000000H

- Since the upper two bits of the Local Range Register (9CH) are set, the upper two bits of this register are used to detect a local access-to-PCI memory space. Effectively, this register remaps the PCI address into local address space.

PCI Base Address for Direct Master-to-PCI Register (A8H) - 00000005H

- Bits 16 through 31 of this register are the PCI address to remap into local address space; the lowest 8 bits are control settings. Bit 0 is set to enable the direct master memory access. Bit 1 controls direct master I/O access enable, and is cleared in this example. If the PCI-SDK Platform were performing I/O accesses as well, this bit must be set. Bit 2 is the LOCK input enable, and should be set. Bit 4 controls the master PCI read mode, and can be cleared. Bits 5 to 7 must be cleared on the PCI-SDK Platform.

Table 3-30. Local Bus Base Address Register for Direct Master-to-PCI Memory

Field	Description	Read	Write	Value after Reset (Cold PC Reset)
15:0	Not Used.	Yes	No	0
31:16	Assigns a value to the bits used to decode a Local-to-PCI memory access.	Yes	Yes	0

Table 3-31. Local Base Address for Direct Master-to-PCI IO/CFG Register

Field	Description	Read	Write	Value after Reset (Cold PC Reset)
15:0	Not Used	Yes	No	0
31:16	Assigns a value to the bits used to decode a Local-to-PCI I/O or configuration access	Yes	Yes	0

Table 3-32. PCI Configuration Address Register for Direct Master-to-PCI IO/CFG

Field	Description	Read	Write	Value after Reset (Cold PC Reset)
1:0	Configuration Type: 00=Type 0 01=Type 1	Yes	Yes	0
7:2	Register Number	Yes	Yes	0
10:8	Function Number	Yes	Yes	0
15:11	Device Number	Yes	Yes	0
23:16	Bus Number	Yes	Yes	0
30:24	Reserved	Yes	Yes	0
31	Configuration Enable. Parameters in this table are used to generate the PCI configuration address. 0 - do not allow Local-to-PCI I/O accesses to be converted to a PCI configuration cycle. 1 - allow Local-to-PCI I/O accesses to be converted to a PCI configuration cycle.	Yes	Yes	0

3.12.3 Deadlock Configuration

When the PCI-SDK Platform is configured to act as a PCI bus master, a possible deadlock condition exists. If a PCI master requests the local bus on the PCI-SDK Platform at the same time that the PCI-SDK Platform is attempting to access the local processor's host bus, both requests are answered with a RETRY signal. RETRY, however, does not cause either processor to release its local bus — so neither request can be completed — and the system will deadlock.

There are two possible resolutions to this problem. The first, and simplest, is to design a system such that memory is shared only on the host or PCI-SDK Platform, and never both. In such a system, only one local bus is being shared by more than one processor, thereby avoiding the deadlock situation.

The second solution is somewhat more involved, and can be implemented only on the Cx and Hx processors. This solution involves a hardware detection of the deadlock condition. Once the deadlock has occurred, a method of signalling the i960 processor to abort its current request and relinquish its local bus is needed. This allows the host processor's transaction to complete.

The Cx and Hx processors possess a BACKOFF pin which serves this purpose. On a PCI-SDK Platform equipped with a Cx or Hx CPU module, the PCI 9060 asserts BACKOFF to the processor in the event of a deadlock. The processor then relinquishes its local bus, and the host's transaction completes.

The Kx, Sx, and Jx, however, lack such a feature. Instead, logic has been included to assert a false READY signal to these processors. This results in erroneous data being returned in the case of a read, but the processor will terminate the cycle, allowing the host processor access to its local bus. Some method of notifying the i960 processor that this error has occurred is needed, otherwise the erroneous data or incomplete write goes undetected by the i960 processor.

On the Jx processor, an interrupt (XINT3#) is asserted. The Kx and Sx processors, however, have no free interrupt lines. As a result, there is no way for these processors to detect the error. The XINT3# interrupt on the Jx processor is intended only to inform the system designer that a deadlock error has occurred, and is a non-recoverable error. On the Sx, Kx, and Jx processors, the system designer must ensure that only memory is shared either on the host or PCI-SDK Platform, but never both.

The Cx and Hx processors handle the deadlock condition transparently, once the PCI 9060 is configured to signal a deadlock. On the Jx, user code must detect the fatal error interrupt on XINT3#. The interrupt should be connected to a handler which provides a signal to the designer that a fatal error has occurred.

The Local Expansion ROM Local Base Address/BREQo Control Register (94H) on the PCI 9060 must be configured at initialization to handle the deadlock condition. To avoid deadlock, the PCI 9060 must be programmed to detect a time-out and assert BREQo, which either causes the local processor to backoff or — in the case of the Jx — causes the processor to be interrupted after the access is complete, indicating an error. The lower four bits of the Local Expansion ROM Address/BREQo Control Register (94H) should be set to the number of local bus clocks before a time-out is detected, and the Local Bus BREQo Enable bit should be set to 1.

3.12.4 Signalling Init Done

Initialization code must set the Local Init Status bit in the EEPROM Control/Init Control Register (ECH) before finishing. Until this bit is set, the PCI 9060 responds to any attempted master accesses from PCI by signalling RETRY. Once this bit is set, BIOS code on the host system can proceed with the remainder of the initialization.

3.12.5 PCI Interrupts

The PCI 9060 can be configured to generate PCI interrupts to the host system in response to a number of events. Doorbell interrupts, which are described in [Section 3.12.6, “Mailbox Registers and Doorbell Interrupts”](#) on page 3-29, provide a simple mechanism for software to send/receive signals to/from the host processor.

The PCI 9060 can also be configured to interrupt the host processor if any PCI error conditions, such as LSERR# or a master or target abort, are detected. In some applications it may be useful to configure the PCI 9060 to generate a PCI interrupt whenever it generates a local interrupt. This allows the host system or another PCI master to receive automatic notification whenever a local interrupt is triggered by the PCI 9060, and take some appropriate action.

All interrupt enabling and detection on the PCI 9060 is handled through the Interrupt Control and Status Register (E8H) ([Table 3-33](#)). If any PCI or local interrupts are used, the PCI or Local Interrupt Enable bit in this register must be set — in addition to the separate enable bits for the interrupt sources in use.

Interrupt handling code on the i960 processor should check the interrupt active bits in the Interrupt Control and Status Register (E8H) to determine the source of the interrupt, and call an appropriate interrupt service routine to process the interrupt.

3.12.5.1 Local PCI Interrupts

Local interrupts from the PCI 9060 are signalled to the i960 processor on XINT0# for Cx, Hx, and Jx processors, and INT2 for the Sx and Kx. Local PCI interrupts may be generated by self-test completion (BIST), either of the DMA channels, the PCI-to-Local Doorbell Register, or LSERR#. Each condition has separate interrupt enable bits in the Interrupt Control and Status Register (E8H). DMA and doorbell interrupts are discussed separately in the following subsections. The BIST interrupt can be generated by local test code by setting bit 6 of the PCI Configuration BIST Register (0FH), and is typically used by i960-side diagnostics to indicate completion.

LSERR# can be asserted by the PCI 9060 when it detects a target abort or master abort while acting as a PCI slave or PCI master. LSERR# can also be triggered by the PCI 9060 when a PCI parity error occurs during a master or slave transfer. Bits 0 and 1 of the Interrupt Control and Status Register (E8H) are used to enable this local interrupt. LSERR# is signalled to the Cx, Jx, and Hx processors on XINT2#, and to Sx and Kx processors on the PCI 9060 interrupt line INT2.

Table 3-33. Interrupt Control/Status (Sheet 1 of 2)

Field	Description	Read	Write	Value after Reset (Cold PC Reset)
0	Enable Local bus LSERR#: 0 - disable; 1 - enable the PCI 9060 to assert LSERR# interrupt output when the PCI bus Target Abort or Master Abort status bit is set in the PCI Status Configuration Register.	Yes	Yes	0
1	Enable Local bus LSERR# when a PCI parity error occurs during a PCI 9060 Master Transfer or a PCI 9060 Slave access.	Yes	Yes	0
2	Generate PCI bus SERR#. When this bit is 0, setting it (writing a 1) generates a PCI bus SERR#.	Yes	Yes	0
7:3	Not Used	Yes	No	0
8	PCI interrupt enable: 0 - disable PCI interrupts; 1 - enable PCI interrupts.	Yes	Yes	1
9	PCI doorbell interrupt enable: 0 - disable doorbell interrupts; 1 - enable doorbell interrupts. Used in conjunction with PCI interrupt enable. Clear the doorbell interrupt bits that cause the interrupt to clear the interrupt.	Yes	Yes	0
10	PCI Abort interrupt enable: 0 - disable; 1 - enable a master abort or master detect of a target abort to generate a PCI interrupt. Used in conjunction with PCI interrupt enable. Clear the abort status bits to clear the PCI interrupt.	Yes	Yes	0
11	PCI local interrupt enable: 0 - disable; 1 - enable a local interrupt input to generate a PCI interrupt. Used in conjunction with PCI interrupt enable. Clear the local bus cause of the interrupt to clear the interrupt.	Yes	Yes	0
12	Retry Abort Enable: 0 - enable the PCI 9060 to attempt Master Retries indefinitely. 1 - enable the PCI 9060 to treat 256 Master consecutive retries to a Target as a Target Abort.	Yes	Yes	0
13	PCI doorbell interrupt: 0 - not active; 1 - active.	Yes	No	0
14	PCI abort interrupt: 0 - not active; 1 - active.	Yes	No	0
15	Local interrupt: 0 - not active; 1 - active.	Yes	No	0
16	Local interrupt enable: 0 -disable; 1 - enable.	Yes	Yes	1
17	Local doorbell interrupt enable: 0 -disable; 1 - enable. Used in conjunction with Local interrupt enable. Clear the Local doorbell interrupt bits causing the interrupt to clear the interrupt.	Yes	Yes	0
18	Local DMA channel 0 interrupt enable: 0 - disable; 1 - enable. Used in conjunction with Local interrupt enable. Clear the DMA status bits to clear the interrupt.	Yes	Yes	0
19	Local DMA channel 1 interrupt enable: 0 - disable; 1 - enable. Used in conjunction with Local interrupt enable. Clear the DMA status bits to clear the interrupt.	Yes	Yes	0
20	Local doorbell interrupt: 0 - not active; 1 - active.	Yes	No	0
21	DMA channel 0 interrupt: 0 - not active; 1 - active.	Yes	No	0

Table 3-33. Interrupt Control/Status (Sheet 2 of 2)

Field	Description	Read	Write	Value after Reset (Cold PC Reset)
22	DMA channel 1 interrupt: 0 - not active; 1 - active.	Yes	No	0
23	BIST interrupt: 0 - not active; 1 - active. The BIST (built in self test) interrupt is generated by writing a 1 to bit 6 of the PCI Configuration BIST register. Clearing bit 6 clears the interrupt. Refer to the BIST register for a description of self test.	Yes	No	0
24	Direct Master Bus Master indicator: 0- a Direct Master was not the bus master during a Master or Target abort. 1 - a Direct Master was the bus master during a Master or Target abort.	Yes	No	0
25	DMA Channel 0 Bus Master indicator: 0 - DMA Channel 0 was not the bus master during a Master or Target abort. 1 - DMA Channel 0 was the bus master during a Master or Target abort.	Yes	No	0
26	DMA Channel 1 Bus Master indicator: 0 - DMA Channel 1 was not the bus master during a Master or Target abort. 1 - DMA Channel 1 was the bus master during a Master or Target abort.	Yes	No	0
27	PCI 9060 Target Abort indicator: 0 - no abort. 1 - PCI 9060 generated Target Abort after 256 consecutive Master retries to a Target.	Yes	Yes	0
31:28	Not Used	Yes	No	0

3.12.6 Mailbox Registers and Doorbell Interrupts

The PCI 9060 provides eight 32-bit bi-directional mailbox registers and two 32 bit doorbell registers (one PCI-to-i960, one i960-to-PCI). These registers can be used for interprocess communication and synchronization across the PCI bus. Values written to the mailbox registers from one side of the bus can be retrieved by the appropriate process running on the other side. The PCI 9060 doorbell registers are bitmapped and can indicate 32 different interrupt sources. Doorbell interrupts are enabled by setting the appropriate bits in the Interrupt Control and Status Register on the PCI 9060.

3.12.6.1 Using the Mailbox Registers

Mailbox registers are included in the local and PCI memory maps when the PCI-SDK Platform is present in a host system. Refer to PLX PCI 9060 documentation for Mailbox register locations in local and PCI space. The Mailboxes latch a value written to them; the value can then be read by a process on the other side of the bus. Reads to a Mailbox register do not affect the contents (does not clear it).

3.12.6.2 Generating Doorbell Interrupts

Doorbell interrupts to the host system are generated by setting one or more of the bits of the Local-to-PCI Doorbell Register (E4H). The host processor can read the Doorbell register to determine which bits are set. More than one bit may be set concurrently, and the PCI interrupt remains asserted as long as at least one doorbell bit is set. This allows the PCI 9060 to signal as many as 32 different interrupts to the host processor.

PCI masters can generate doorbell interrupts to the i960 processor by writing the PCI-to-Local Doorbell Register (E0H). Setting bits in the PCI-to-Local Doorbell Register generates an interrupt to the i960 processor. The PCI 9060 signals an interrupt to the local processor as long as at least one bit is set.

For doorbell interrupts to function, the Interrupt Control and Status Register (E8H) on the PCI 9060 must be programmed to enable the interrupts. For local-to-PCI doorbell interrupts, the PCI Interrupt Enable and PCI Doorbell Interrupt Enable bits must be set. PCI interrupts must also be enabled and routed on the host system. For PCI-to-local interrupts, software must set the Local Interrupt Enable and Local Doorbell Interrupt Enable bits. The Interrupt Control and Status Register also contains bits which allow software to poll for PCI or local interrupts.

3.12.6.3 Receiving Doorbell Interrupts

Provided that interrupts are enabled on the PCI 9060, a PCI-to-local doorbell interrupt is signalled to the i960 processor on the PCI 9060 interrupt line (XINT0# on the Cx, Jx, and Hx processors; INT2 on the Kx and Sx). The i960 processor must then poll the Interrupt Control and Status Register (E8H) on the PCI 9060 to determine the cause of the interrupt. If a doorbell interrupt is detected, software should read the PCI-to-Local Doorbell Register (E0H) to determine which interrupts are being signalled. Writing a 1 to an active doorbell bit clears the bit and, if no other doorbell bits are set, clears the interrupt also. If other doorbell bits are set, the interrupt remains asserted. Clearing a bit position which is set, indicating an active interrupt, does not clear the interrupt.

Triggering a local-to-PCI doorbell interrupt generates a PCI interrupt to the host system. Since a PCI interrupt from the PCI-SDK Platform can be generated by any of several events, the host system should poll the Interrupt Control and Status Register (E8H) on the PCI 9060 to determine the cause of the interrupt. Once a doorbell interrupt is identified, the host system can identify and clear the interrupt by reading the Local-to-PCI Doorbell Register (E4H), and setting any bit positions which are asserted.

Clearing a bit position which is set, indicating an active interrupt, does not clear the interrupt. If one or more bits in the doorbell register remain set, the interrupt to the host processor remains asserted. For local-to-PCI doorbell interrupts to function, PCI interrupts must be enabled and routed on the host processor, and an appropriate interrupt service routine connected in software.

3.12.7 DMA Programming

Two DMA channels are included on the PCI 9060 to facilitate rapid data transfer across the PCI bus. Programming is identical for either DMA channel; however, channel 0 contains a 64-byte deep FIFO, intended for high speed data transfer, and channel 1 contains a 32-byte FIFO, which can be used for slower data or command transfer. The two channels can operate concurrently, and are both bidirectional. In addition, both channels support chaining and non-chaining operation. The DMA controllers can be programmed to interrupt the i960 processor when they complete a task.

3.12.7.1 DMA Non-Chaining Mode

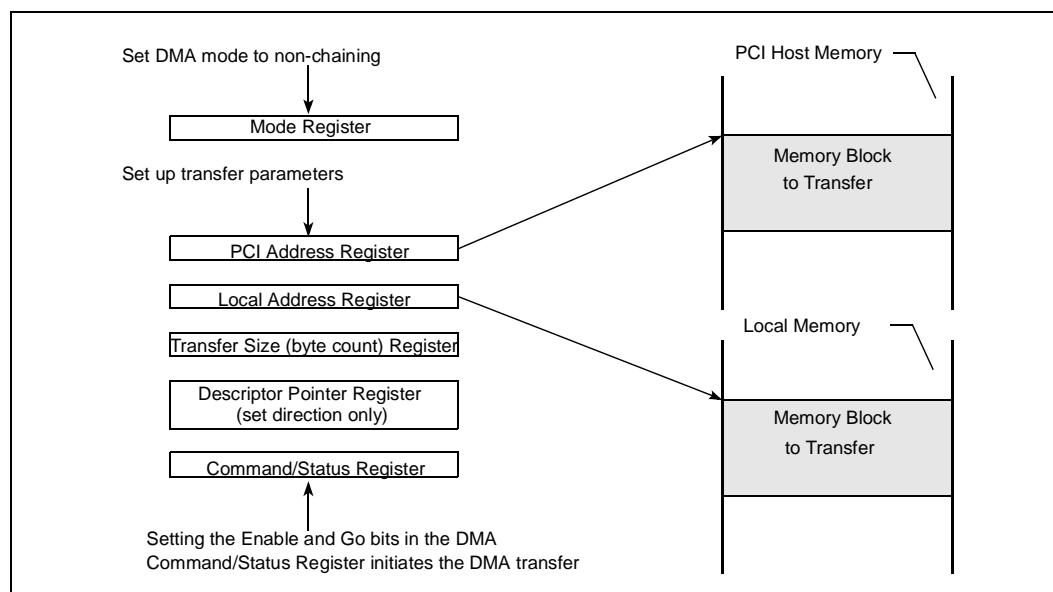
When a DMA channel is operated in non-chaining mode, the local processor programs the Mode, PCI Address, Local Address, Transfer Size, and Descriptor registers for the DMA channel in question, and then sets the Command/Status Register to begin the transfer. The DMA transfers the number of bytes programmed in the DMA Transfer Size Register and, when the operation completes, generates a local interrupt if the PCI 9060 is programmed to do so.

The PCI and Local Address registers should be programmed with the PCI and local addresses for the transfer. These registers do not determine transfer direction. Addresses programmed into these registers may be unaligned. The DMA Transfer Size Register must be set to the number of bytes to be transferred. Only the lower 23 bits of this register are used; therefore, 8 Mbytes is the maximum transfer size that can be performed in one operation.

DMA channel functionality is controlled by programming the Mode and Descriptor register bits. The Mode Register must be programmed with READY inputs enabled and BTERM inputs disabled for the DMA to operate properly on the PCI-SDK Platform. Burst mode should be enabled to speed transfers. If the Interrupt on End bit is set, the PCI 9060 generates a local interrupt to the processor when the DMA transfer completes. The Chaining bit determines whether the DMA operates in chaining or non-chaining mode, and should be clear for non-chaining transfers. All other values in this register can retain their default settings.

In non-chaining mode, the Descriptor Pointer Register serves only to indicate the direction of the DMA transfer. Set this bit for transfers from the local bus to the PCI bus, and clear it for PCI-to-local transfers. Other bits in this register can be cleared.

Figure 3-6. Non-Chaining DMA Initialization



3.12.7.2 DMA Chaining Mode

In chaining mode, software constructs a list, or chain, of DMA operations in local memory and writes to the Command/Status Register to begin the transfers. The PCI 9060 loads the DMA registers with information from the first descriptor block in the chain, performs the transfer, proceeds to the next descriptor. The PCI 9060 can be programmed to interrupt the processor at the end of any transfer, at the end of the chain, or not at all. This is a very efficient way to move blocks of non-contiguous memory across the PCI bus while minimizing processor involvement.

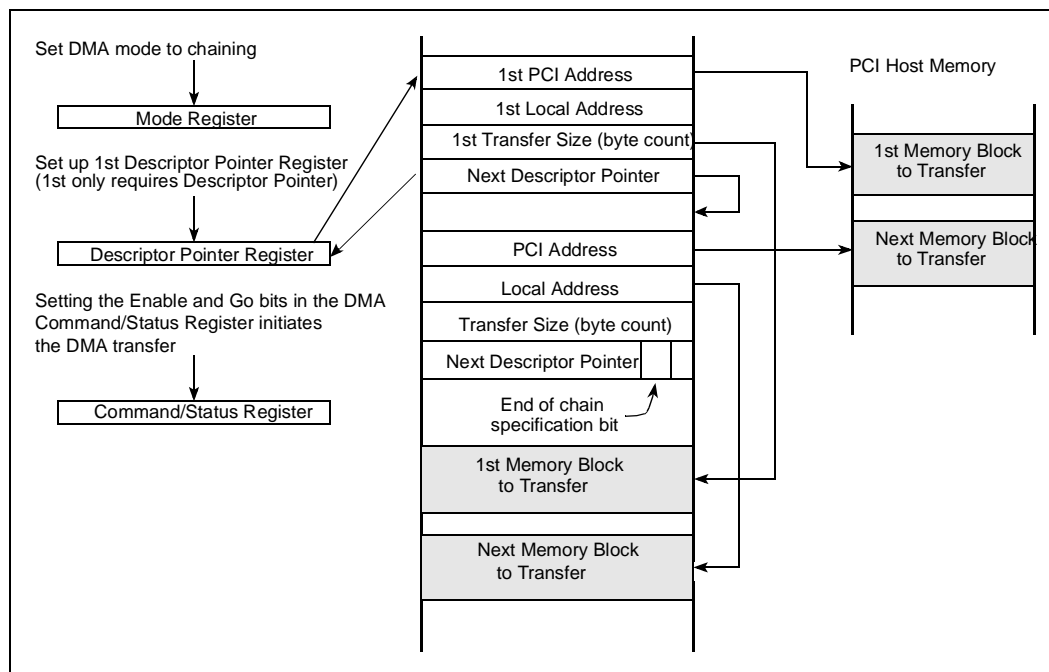
Rather than programming the DMA registers directly in chaining mode, values for the PCI Address, Local Bus Address, Transfer Count, and Mode registers are stored in a descriptor block in memory. New register values are loaded at the beginning of every transaction, until the last descriptor block is processed.

The descriptor blocks must be quadword aligned and consist of five longwords (see Figure 3-7). The longwords in each descriptor block are loaded into the PCI Address, Local Bus Address, Transfer Count, Mode, and Next Descriptor registers, in that order. The first block is loaded into the PCI 9060 automatically when the transfer begins. The last block of a chained transfer should have the End of Chain bit set in the Mode Register.

Once the descriptor blocks are set up, the i960 processor initiates the chaining transfer by writing the first descriptor address to the Next Descriptor Address Register, and then setting the appropriate channel control bit in the DMA Command/Status Register. Code should ensure that the channel enable bit for the channel in use is set before starting a transfer.

Example DMA configuration code is included in the PCI-SDK Platform diagnostics, which are packaged with the board.

Figure 3-7. Chaining DMA Initialization



3.12.7.3 DMA Interrupts

DMA interrupts are signalled by the PCI 9060 (XINT0# on Cx, Hx, and Jx; INT2 on Sx and Kx). As with all local PCI interrupts, DMA interrupts are controlled and detected through the Interrupt Control and Status Register (E8H). To receive a DMA interrupt when a transfer is complete, software must set the Local DMA Interrupt Enable bit for the channel in use, ensure that the PCI Local Interrupt Enable bit is set, and set the Done Interrupt Enable bit in the DMA Mode Register for that channel. When a DMA interrupt occurs, the Interrupt Control and Status Register (E8H) indicates the interrupt source. The interrupt can be cleared by setting bit 3 of the DMA Command and Status Register (128H) for a channel 0 interrupt, or bit 11 for a channel 1 interrupt.

If a PCI master or target abort occurs while the DMA is transferring data, bit 25 or 26 of the Interrupt Control and Status Register (E8H) is set. This condition also generates an LSERR# interrupt, if LSERR# is enabled in the Interrupt Control and Status Register (E8H).

This chapter describes functionality of the Cyclone Evaluation Platform's subsystems. "I/O Interface" describes the general I/O implementation. Subsections further describe each functional block. "DRAM Subsystem" on page 4-6 similarly defines the DRAM implementation. Also covered are Clock Generation, Reset, Interrupt and Ready Logic.

4.1 Functional Overview

As shown in Figure 1-1 on page 1-1, the main functional blocks and features include:

- High-performance interleaved DRAM subsystem:
 - Operates at 2-0-0-0 wait states for burst reads.
 - DRAM subsystem is expandable up to 32 Mbytes.
- I/O subsystem provides data buffers and simplified control:
 - Supports FLASH from 256 Kbit to 2 Mbit and FLASH, an 8-bit memory, is used for the monitor and start-up diagnostics.
 - The Centronics-compatible parallel port allows fast download of code or data to the Cyclone EP.
 - The asynchronous serial (RS-232) port provides transfers up to 115.2 Kbaud.
 - An Z8536 timer/counter provides three 16 bit counters, with interrupts.
- An expansion bus (Squall II Module) allows expansion cards and external devices direct access to the i960® processor's bus and control signals.

4.2 Clock Generation

The Cyclone EP's clocking section must handle the clocking requirements of the various i960 processors. The clock generation circuit is based on an AV9155-01 device which generates a 2x and 1x processor clock based on the FREQ(2:0) switches on the CPU module. The AV9155-0 also generates the 1.843 MHz baud rate clock and a 16 MHz clock. The 16 MHz clock is later divided to 4 MHz and used for the counter/timers and DRAM refresh generation.

Clock distribution is performed by an CY7BB991-7 device with an internal PLL. Output clocks from this device are distributed back to the CPU module, Squall II Module, and on-board logic. This device guarantees a maximum skew of ± 250 ps between outputs, and ± 500 ps between the input and the outputs. Therefore, all clocks on the board are within ± 1 ns, making the design work very straightforward. All clock signals are terminated with 22 ohm series resistors.

4.3 Power Monitor and Reset

The board reset strobe is provided by a Texas Instruments* TL7705A power supply monitor. The TL7705A senses board voltage and ensures that the board RESET and RESET# signals remain asserted for several milliseconds after board power is stable (above 4.6 V). The TL7705A also asserts RESET and RESET# when the board voltage drops below 4.6 V.

A reset push-button manually triggers the TL7705A to reset the board.

The Cyclone EP requires only the +5V power supply. +12V is only necessary when programming the Flash ROM. The PCI-SDK Platform receives power from the edge connector; no external power supplies are required.

The +5V power LED (D2) indicates that the board power is stable. This LED is OFF when the board voltage drops below 4.6 V.

4.4 I/O Interface

I/O design features include:

- Shares control logic between all devices
- Low cost, low complexity control logic
- Uses standard PLDs
- Isolates I/O subsystem from other board functions

The I/O and peripheral subsystems provide the interface and timing control for all peripherals and registered I/O devices on the Cyclone EP. The design is simplified considerably by combining the control for all peripheral and registered I/O devices.

The I/O section includes the following features:

- Flash ROMs (28F020)
- Serial Port (16C550 UART)
- Counter/Timers (Z8536 CIO)
- Parallel Port (74ABT logic and a 22V10 PAL)

The control logic for the I/O devices is located in the iFX780 Flex Logic device. This logic generates chip select, read and write strobes, and ready back to the processor. The data signals and A3:2 address signals have been buffered to avoid excessive loading of the processor's signals.

4.4.1 Functional Blocks

The I/O design comprises four distinct blocks: data path, control logic, registered I/O, and I/O peripheral devices. The schematic for the design is hierarchical.

4.4.2 I/O Control Timing

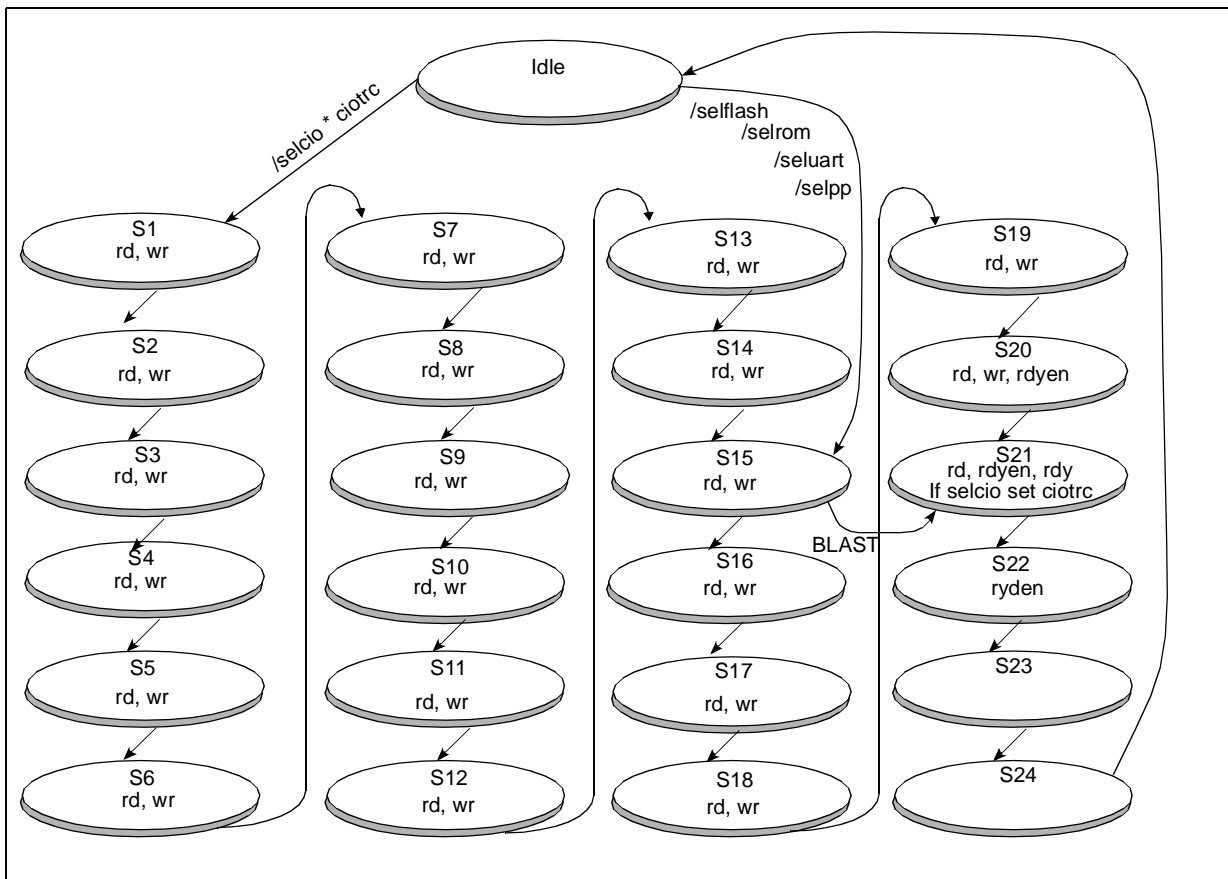
The chip selects and I/O data buffer control are synchronous set-and-hold flip flops in the iFX780 device. The flip flops are set to active upon ADS# and the proper address, and are held active until BLAST# and READY# are asserted.

Note: The 80960Kx does not generate BLAST#. For the Cyclone EP, BLAST# is generated by a PAL on the CPU module.

The chip select signals cause the I/O control state machine to operate. The state machine generates the proper timing for the read and write strobes, READY#, and the recovery time which many of the I/O devices require.

All timing assumes a 50 MHz processor clock to ensure that all minimum timing requirements are met over the entire range of processor clocks (16 to 50 MHz). The state diagram for the I/O control state machine is shown in Figure 4-1.

Figure 4-1. I/O Control State Machine



4.4.3 Data Path

Data signals are buffered before connecting directly to I/O devices and peripherals. The lower eight data signals are passed through a 74ABT245 transceiver before connecting to peripherals or I/O devices.

Peripheral I/O address lines are buffered through 74FCT244's. BE0#, BE1# and A2 are buffered to become IOA0, IOA1 and IOA2, respectively. These address lines are then used for peripheral device control such as the serial port and timer.

4.4.3.1 Parallel Port

The parallel port is a full implementation of a Centronix-compatible receive-only port. A program sets up and reads the parallel port by reading or writing three registers:

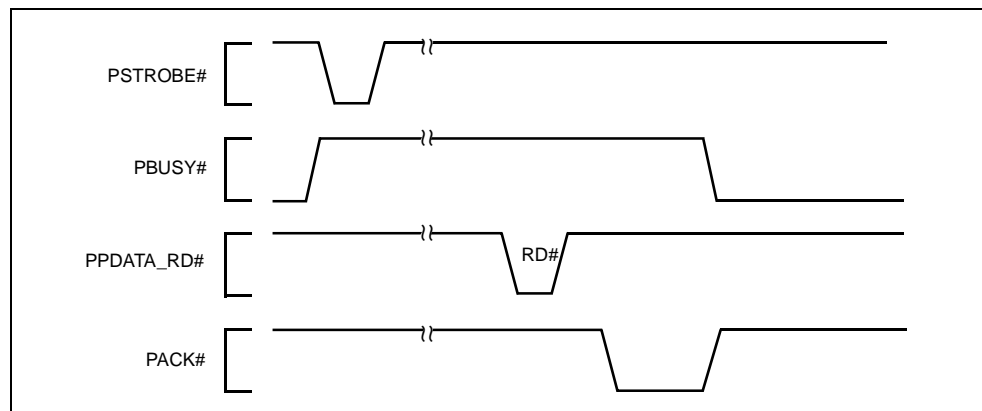
Parallel port data register	Receives parallel data when the PSTROBE# signal is asserted by an external transmit port. PSTROBE# is used as a latch enable for a 74ABT574 quad-D latch. This register connects to the I/O data bus as an input-only register. A read to this register causes the I/O timing control to assert the PPDATA_RD# signal which enables the data register on the data bus.
Parallel port status register	A read-only register used to read the incoming status lines from the parallel port.
Parallel port control register	A write-only register whose outputs directly drive the parallel port output signals.

The parallel port generates an interrupt when the PSTROBE# or the PPINIT# signal is asserted from an external transmit port. The parallel port interrupts are cleared after a read from the parallel data register.

The parallel Centronics interface has eight data lines (PD7:0) and three handshaking lines (PBUSY, PACK# and PSTROBE#). [Figure 4-2](#) shows the timing relationship between these signals.

- PSTROBE# falling edge causes data to be latched at the parallel port.
- PACK# is a signal line from the parallel port indicating that data has been received.
- PBUSY is driven to indicate the parallel port is processing the transfer. PBUSY is deasserted when data is read from the parallel port register.

Figure 4-2. Parallel Port Timing Signals



4.4.3.2 Serial Port

The Cyclone EP provides one RS-232 serial port which is used for communications and program download. This port implements the signals for transmit, receive, clear-to-send and request. Chapter 2, “Getting Started” contains extensive information on communications and downloading.

The serial port interface provides asynchronous RS-232 standard communication for monitors or user-defined applications. The serial port interface consists of two components:

- 16550CV Universal Asynchronous Receiver/Transmitter (UART) with FIFOs
- MAX232 +5V Powered RS-232 Driver/Receiver

National Semiconductor’s* 16550 UART implements an independent asynchronous serial port on the Cyclone EP. The serial port implements a transmit (TXD) and a receive (RXD) line. The serial port also provides a clear-to-send (CTS) and request-to-send (RTS) signal to interface to modem applications.

A 1.843 MHz oscillator provides the baud rate clock for the serial port. With this oscillator, the 16550 is able to provide serial transmit and receive at up to 115.2 KBaud. For more information on programming the 16550, refer to *Data Communications Local Area Networks UARTs Handbook*, National Semiconductor Corporation.

TXD and RTS from the 16550 are translated to RS-232 compatible signals with a MAX232 buffer/receiver chip. RXD and CTS are converted into TTL levels by the MAX232 and routed as inputs to the UART chip. The MAX232 contains an internal charge pump that generates the RS-232 voltage levels.

4.5 DRAM Subsystem

Cyclone EP features DRAM and a DRAM controller which operates with all members of the i960 processor family. The DRAM controller runs with minimum wait states at 16, 20, 25, 33, and 40 MHz processor clock frequencies. The design uses interleaved banks of fast page mode DRAM to reduce the wait states during burst accesses. DRAM may be expanded from 2 Mbytes to 8 or 32 Mbytes of memory. Refer to [“Interleaved DRAM” on page 3-4](#) for related information.

4.5.1 Page Mode DRAM SIMM Review

Page mode DRAM allows faster memory access by keeping the same row address while selecting random column addresses within that row. A new column address is selected by deasserting CAS# while keeping RAS# active and then asserting CAS# with the new column address valid to the DRAM. Page mode operation works very well with burst buses in which a single address cycle can be followed by up to four data cycles.

Also, all WE# pins on the SIMM are tied to a common WE# line; this line requires the Cyclone EP design to employ early write cycles. In an early write cycle, the write data is referenced to the falling edge of CAS#, not the falling edge of WE#.

Each SIMM also has four CAS# lines, one for each eight (nine) bits in a 32-bit (36-bit) SIMM module. The four CAS# lines controls writing individual bytes within the SIMM.

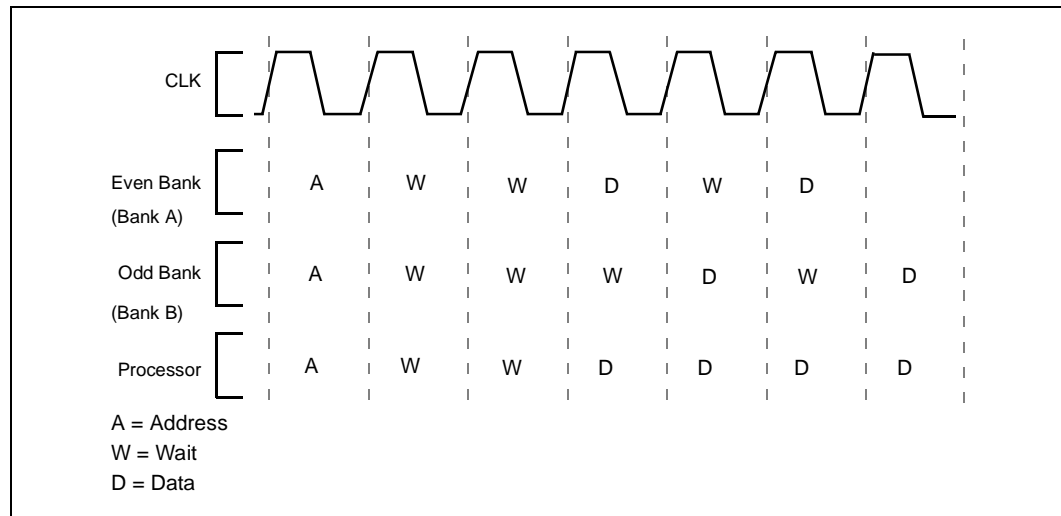
4.5.1.1 Bank Interleaving

Bank interleaving allows the second, third and fourth accesses of a burst read to occur in zero wait states. The first data access must still pay the entire access penalty. Interleaving significantly improves memory system performance by overlapping accesses to consecutive addresses. Two-way interleaving is accomplished by dividing the memory into two 32-bit banks (also referred to as “leaves”):

- one bank for the even word addresses ($A2=0$)
- one bank for odd word addresses ($A2=1$)

The two banks are read in parallel and the data from the two banks is multiplexed onto the processor’s data bus. Multiplexing is implemented via the CASxA and CASxB signals. CAS# signals, in addition to being the Column Address Strokes, are also output enable signals for the DRAM.

[Figure 4-3 “Two-way Interleaving” on page 4-7](#), shows DRAM with a 2-1-1-1 quad word burst read wait state profile being interleaved to generate a 2-0-0-0 wait state system.

Figure 4-3. Two-way Interleaving


4.5.1.2 Wait State Performance

Table 3-4 “DRAM Access Times” on page 3-5 shows the wait state performance for the DRAM; Table 3-5 “DRAM SIMM Configurations” on page 3-6 shows SIMM module options.

Note: Use 72-pin SIMM modules with 60 or 70ns Fast Page Mode DRAM.

4.5.2 DRAM Controller Implementation

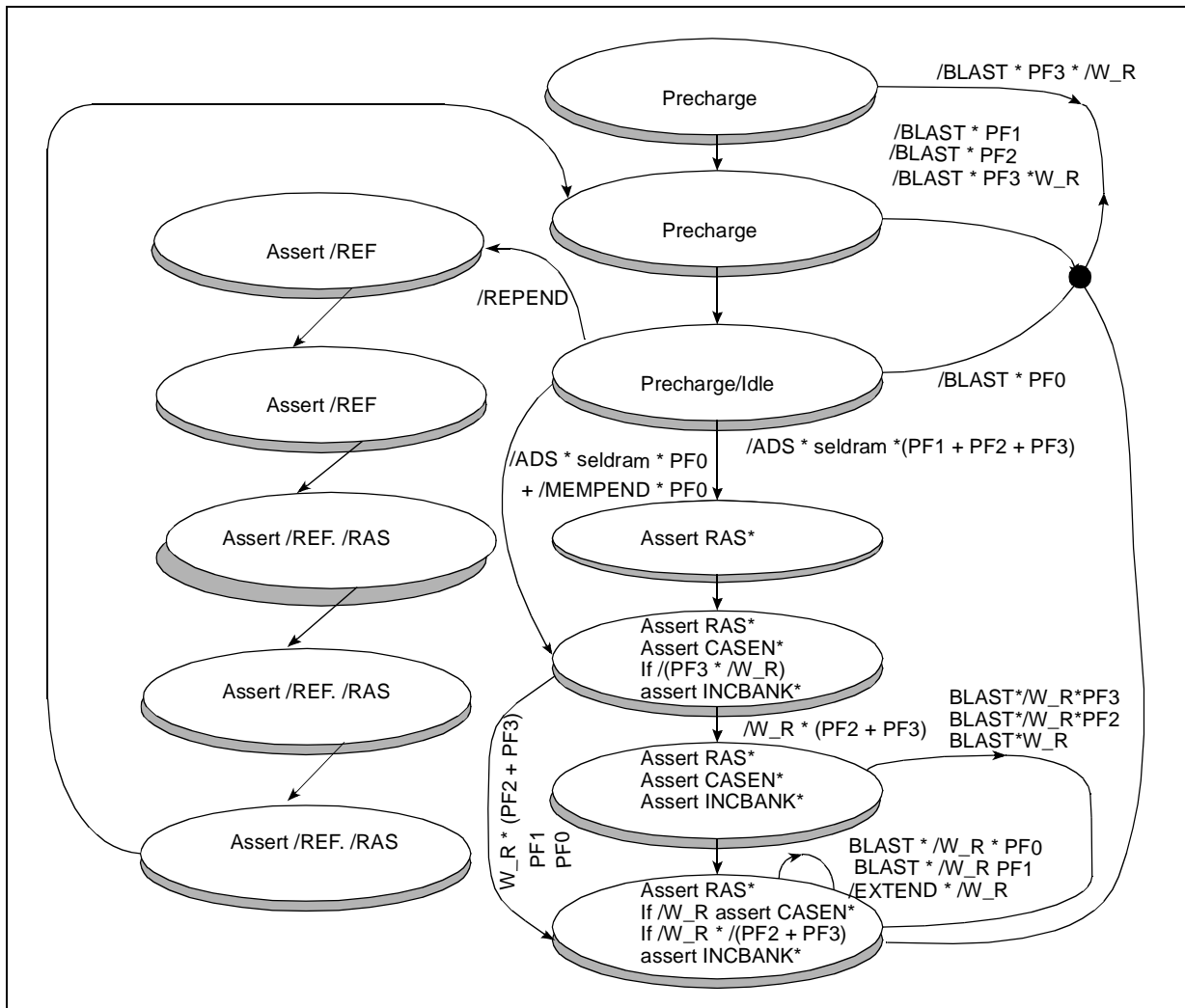
The DRAM controller — the most complex section of the DRAM design — is implemented by an Intel iFX780 Flex Logic device. The waveforms are controlled by the state machines implemented in the PLDs. This section presents the waveforms and defines these state machines.

The DRAM controller runs one of four paths through the state machine depending on the processor. The primary state machine runs in four different paths depending on the profile determined from processor frequency and memory speed. A secondary state machine, which determines the bank select during burst cycles, runs in two different paths determined by whether the host processor is a 32 or 16 bit processor. Table 4-1 shows the profiles; Figure 4-4 shows the state diagrams for the DRAM controller.

Table 4-1. DRAM Profiles

Profile	Frequency	Frequency	Memory Speed	(PD3)	Read Cycle	Write Cycle
PF0	16 MHz	010	60 or 70ns	X	3,1,1,1	3,2,2,2
PF0	20 MHz	011	60 or 70ns	X	3,1,1,1	3,2,2,2
PF0	25 MHz	100	60ns	1	3,1,1,1	3,2,2,2
PF1	25 MHz	100	70ns	0	4,1,1,1,1	4,2,2,2,1
PF1	33 MHz	101	60 or 70ns	X	4,1,1,1,1	4,2,2,2,1
PF1	40 MHz	110	60ns	1	4,1,1,1,1	4,2,2,2,1
PF2	40 MHz	110	70ns	0	5,2,2,2,1	4,2,2,2,1
PF2	50 MHz	111	60ns	1	5,2,2,2,1	4,2,2,2,1
PF3	50 MHz	111	70ns	0	5,2,2,2,2	4,2,2,2,2

Figure 4-4. DRAM State Machine



4.6 CAS# Generation

The CAS# signals to the A and B banks of DRAM are generated from a high speed 20V8 PAL with clock to output timing of 5 ns. The BANKSEL signal from the iFX780 determines which set of CAS# signals is asserted. The processor's BEx# signals are used to qualify the CAS# signals.

4.7 Refresh Generation

CAS# before RAS# refresh is performed. A counter is buried in the iFX780 counting 16 μ s from the 4 MHz clock. Every 16 μ s the signal REFPEND is asserted. If state S0 is entered, and REFPEND is active, the state machine branches to perform refresh. REF# is asserted, indicating to the CAS# generation PAL to assert the CAS# signals. The RAS# is then asserted and the proper number of cycles are waited. REF, RAS#, and the CAS# are negated and REFPEND is also negated. The state machine returns to S0 ready to run processor memory cycles.

Design information, electrical and physical specifications of the Squall II Module interface are described in this chapter. This information is useful when you wish to design and integrate your own Squall Modules. If you are using a standard Squall Module, refer to the specific module's manual for information on the operation of that module.

5.1 Physical Attributes

The Squall II Module is a printed circuit board which connects to the Cyclone EP. The physical dimensions of the Squall II Module interface are illustrated in [Figure 5-1 “Squall II Module Component Height Allowance”](#) on page 5-1 and [Figure 5-2 “Squall II Module Dimensions”](#) on page 5-2. The Cyclone EP has a cutout on the board along the front panel to provide more clearance for connectors mounted on the Squall II Module.

The Cyclone EP is designed to support one of several Squall II modules. These modules allow different I/O interfaces to be used. Devices on the module may be accessed by the processor in slave mode. Devices with DMA controllers on the Squall II Module may access the shared (packet) DRAM in master mode. The Squall II Module has up to 3.3 inches of front panel space to accommodate I/O signals and connectors.

Each Squall II Module contains a serial EEPROM which allows the processor to determine the type, revision, and programming information of the specific module. The EEPROM is read via the Z8536 CIO device. [Section 5.3](#) outlines the use of the EEPROM. Currently available Squall II Modules are listed in [Table 3-17 “Available Squall II Modules”](#) on page 3-14.

Figure 5-1. Squall II Module Component Height Allowance

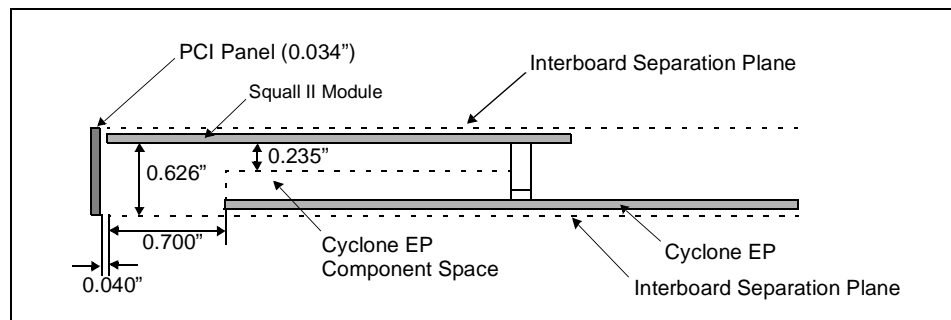
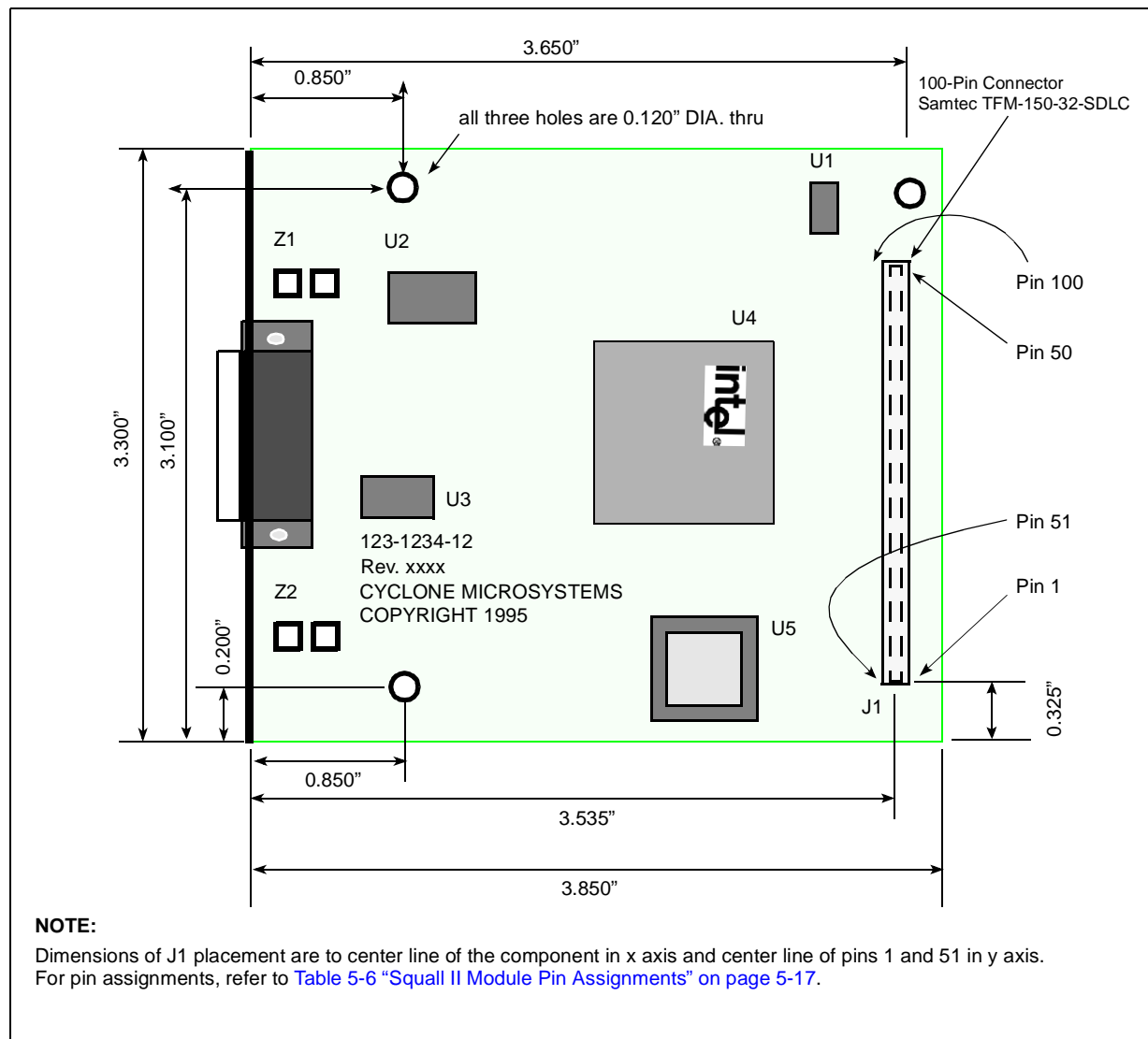


Figure 5-2. Squall II Module Dimensions



5.2 Power Requirements

The Squall II Module connectors supply +5v and +12v. Make sure you do not exceed the maximum amperage listed in [Table 5-1](#). If power is lead off the module via the front panel or the J6/P2 connector, a fuse should be used to prevent damage to the Cyclone EP that may occur due to an incorrect connection.

Table 5-1. Power Supply

Volts	Squall Connector Pins	Maximum Current
+5v	5 pins	2.5 Amps Maximum
+12v	1 pin	0.5 Amps Maximum
-12v	1 pin	Not Available
GND	10 pins	----

5.3 Squall II Module Serial EEPROM

Every Squall II Module has a 24C08 serial EEPROM which the host processor uses to:

- identify the type and revision of the installed module
- store any system parameters which might be module-dependent

EEPROMs are read and written serially using parallel port B of the 8536 CIO device. Refer to a 24C08 data sheet for information on how to use the device. Routines are available to access these devices. To access this code, see [Section 1.4, “Additional Information” on page 1-3](#). Every MON960 ROM for the Cyclone EP reads the serial EEPROMs to properly configure the board.

The first 10 bytes function identically on all Squall II Modules. The remaining memory is assignable by the module's designer; refer to the particular module's user's manual.

The first four bytes (addresses 0-3) contain the module's region configuration word, stored in little endian byte ordering (bits 7-0 in address 0).

The next byte (address 4) contains two bits indicating the interrupt detection mode of the Squall II Module's interrupts. Interrupts are software configurable in the i960 processor's Interrupt Control (ICON) Register to be level low activated or falling edge activated. Bit 0 corresponds to SQIRQ0#, XINT4#. Bit 1 corresponds to SQIRQ1#, XINT5#. A zero (0) indicates the interrupt is level low activated. A one (1) indicates the interrupt is falling edge activated.

Bytes 5 and 6 are reserved. Bytes 7 and 8 contain the Squall II Module version number in ASCII.

Users designing their own modules should request a number from Cyclone Microsystems. Refer to [Section 1.4, “Additional Information” on page 1-3](#) for contact information.

Address 9 contains the module's revision level in binary. This field is assigned and incremented by the module designer. Bytes 00AH-7FFH are specific to the module. Refer to the processor's user's manual.

As with on-board EEPROM, bytes are read from and written to the 24C08 EEPROM most significant bit (bit 7) first and least significant bit (bit 0) last.

Figure 5-3. Squall II Module EEPROM Memory Map

ADDRESS	DESCRIPTION
7FFH	Module-specific data (see the particular module's user manual)
00AH	
009H	
008H	
007H	Module revision level
	Module version
	Reserved
005H	
004H	Interrupt Detection Mode
003H	
	Region Configuration Word
000H	

5.4 Squall II Module Signal Definitions

Squall II Module devices can be accessed by the processor and may access the shared memory via a 100-pin connector. This section describes the signals provided on the Squall II Module interface connector. The signals are an enhanced set of the i960 external bus signals. Familiarity with the operation of the i960 external bus helps the user to understand the Squall II Module Interface. Refer to the i960 microprocessor user's manual for detailed explanations.

The signals are described relative to the circuitry on the Squall II Module (an input to the CPU or memory would be an output from the Squall II Module). Master and slave designations are used to describe different operating modes of the Squall Interface.

- The Squall II Module is a slave when it is being accessed by the processor (SQBG# inactive).
- The Squall II Module is a master when its circuitry has been granted mastership of the shared memory bus (SQBG# asserted by arbitration circuitry in response to a SQBR#).

All output and I/O pins have been provided with the proper pull up resistors on the host board and may be left unconnected if desired. [Table 5-2](#) presents the legend for interpreting the pin descriptions.

Table 5-2. Pin Description Nomenclature

Symbol	Description
I	Input only pin
O	Output only pin
I/O	Pin may be either an input or output
-	Pin must be connected as described
S	Synchronous. Inputs are synchronous to PMCLK. Outputs must meet setup and hold times relative to PMCLK.
A()	Asynchronous. Outputs may be asynchronous to PMCLK. A(E) Edge Sensitive Output A(L) Level Sensitive Output
SL()	While EHOLD# and EHLDA# are inactive, the pin functions in the slave mode. SL(O) Output SL(I) Input SL(I/O)As an input or an output
M()	When EHOLD and HLDA are asserted, the module is in master mode. M(I) Input M(O) Output M(I/O) As an input or output

5.5 Squall Module Signal Descriptions

Table 5-3. Squall Module Signal Descriptions (Sheet 1 of 2)

Name	Type	Description
S_A[02:31]	SL(I) M(O) S	<i>Address Bus</i> carries the upper 30 bits of address. The byte enable signals indicate the selected byte in each word.
S_D[00:31]	I/O S	<i>Data Bus</i> carries 32, 16, or 8 bit data depending on the bus width configured in the Memory Region Table. For a bus width of 8 bits, data lines D[00:07] are used. For 16 bits, D[00:15] are used. For 32 bits, the full bus is used. In master mode, all transfers with the memory use full data bus.
S_BE3# S_BE2# S_BE1# S_BE0#	SL(I) M(O) S	<p><i>Byte Enables</i> select which of the four bytes addressed by A[02:31] are active during an access to a memory region configured as 32 bits data bus width. The following describes the usage of the Byte Enable Signals in different data bus configurations.</p> <p>32 bit bus: BE3# Byte Enable 3 - Enable D[24:31] BE2# Byte Enable 2 - Enable D[16:23] BE1# Byte Enable 1 - Enable D[08:15] BE0# Byte Enable 0 - Enable D[00:07]</p> <p>16 bit bus: BE3# Byte High Enable - Enable D[08:15] BE2# Not Used BE1# Address bit 1 - A[01] BE0# Byte Low Enable - Enable D[00:07]</p> <p>8 bit bus: BE3# Not Used BE2# Not Used BE1# Address Bit 1 - A[01] BE0# Address Bit 0 - A[00]</p> <p>NOTE: 16 and 8 bit bus modes are not available with Kx or Sx processor modules.</p>
S_W/R	SL(I) M(O) S	<i>Write/Read</i> is low for read accesses and high for write accesses. The operation (read or write) is relative to the bus master.
S_ADS#	SL(I) M(O) S	<i>Address Strobe</i> indicates valid address and the start of a new bus access. S_ADS# is asserted for the first clock of an access.
S_READY#	SL(O) M(I) S	<i>Ready</i> signals the termination of a data transfer. S_READY# is used to indicate that read data on the bus is valid or that write data transfer is completed. In slave mode, the S_READY# signal should be asserted to terminate a cycle indicated by SQSEL#. In master mode, the memory control circuit asserts S_READY# to indicate that valid read data is on the data bus or that a write transfer is complete.
SQSEL#	I S	<i>Select Squall</i> is a select signal for a processor's 256 Mbyte memory region. The memory region base address is C000 0000H. The designer must return S_READY# to the processor when this signal is active. SQSEL# is asserted on the rising edge of PMCLK if S_ADS# is asserted and A[28:31] = C000 0000H. SQSEL# is negated on the rising edge of PMCLK with S_BLAST# and S_READY# asserted.
S_BLAST#	SL(I) M(O) S	<i>Burst Last</i> indicates the last transfer in a bus access. In slave mode S_BLAST# is asserted in the data transfer of burst and non-burst accesses after the processor's wait state counter reaches zero. S_BLAST# remains active until the clock following the last cycle of the last data transfer of a bus access. If S_READY# signal is used to extend wait states, the S_BLAST# signal remains active until S_READY# terminates the access. In master mode, this signal should be used to indicate to the shared memory the last cycle of a burst access.

Table 5-3. Squall Module Signal Descriptions (Sheet 2 of 2)

Name	Type	Description
S_EXTEND#	SL(I) M(O) S	<i>Extend</i> may be used by slow Squall II Module masters to extend a shared memory read or write cycle. <i>Extend</i> has no meaning for slaves and will always be inactive during slave cycles. Non-burst reads of the DRAM may be extended by asserting EXTEND# after ADS#. The DRAM controller will hold valid data on the bus and the READY# signal active until it detects EXTEND# inactive and READY# and BLAST# asserted. The signal should not be asserted on burst or write cycles.
RESET#	I A	<i>Reset</i> asserted should cause all the devices and circuitry on the Squall II Module to return to a known state. RESET# will be asserted for a minimum of 200ms. RESET# will always be asserted following power-up.
S_LOCK#	SL(I) M(O) S	<i>Bus Lock</i> indicates that an atomic ready-modify-write operation is in progress.
SQBR#	O	<i>Shared Bus Request</i> signals that the Squall II Module circuitry requested access to the shared memory. The local bus arbitrator will assert SQBG# to grant the Squall II Module bus mastership.
SQBG#	I S	<i>Shared Bus Grant</i> indicates to a bus requestor that the other shared bus masters have relinquished control of the bus. The Squall II Module circuitry may now use the shared bus to access the on board shared memory.
PMCLK	I	<i>CPU Module Output Clock</i> provides a timing reference for all input and output to the processor and the memory.
SQIRQ0#	O	<i>Interrupt Request 0</i> is directly connected to the processor's external interrupt pin XINT4. This pin may be programmed within the processor as a level (low) or edge (falling) activated interrupt source. The interrupt priority of this pin may also be programmed within the processor.
SQIRQ1#	O	<i>Interrupt Request 1</i> is the same as SQIRQ0# except that it is connected to the processor's external interrupt pin XINT3.

5.6 Squall II Module Timing

The Squall Interface signals are an enhanced set of the i960 Cx processor's bus signals. The interface has two modes of operation: slave and master.

- In slave mode the processor is accessing devices on the Squall II Module.
- In master mode a Squall II Module based DMA controller is accessing the shared memory.

5.6.1 Squall II Module Slave Timing

This section outlines the signal timing of the Squall II Module interface when the i960 processor is reading or writing the Squall II Module. The timing for the Squall II Modules in slave mode is difficult to quantify because of the multitude of i960 processors and frequencies which can be run on the Cyclone EP. Most designers will only be concerned with a particular processor at a specific range of frequencies, and will not need to concern themselves with all the possible combinations.

The Cyclone EP local bus and the Squall II Module interface operate like the i960 CA/CF processor's bus interface, regardless of which i960 processor module is installed. On the Cyclone EP, most of the Squall II Module signals are directly connected to the i960 processor. Although processors (i.e., Sx, Kx, Jx) with multiplexed data and address signals are de-multiplexed on the processor module. The following timing diagrams show the timing for reads, writes and burst cycles. Many of the timing parameters are specific to the processor and frequency used. Refer to the appropriate 80960 data sheet for these parameters.

Two mandatory conditions must be met by Squall II Module slave hardware. First, some i960 processors do not have internal wait state generation; therefore, the Squall II interface is designed to always require **READY#** to be returned for all accesses to the Squall II Module address range (C000 0000H to CFFF FFFFH). Processors with internal wait state generation should be programmed such that the internal wait state generator is disabled and **READY#** is enabled for region C. Using the internal wait state generator results in the signal **SELSQ#** not being properly negated at the end of the access.

The second mandatory function of the Squall II Module circuitry is that **READY#** must be asserted for all accesses to region C. A timeout circuit is provided but software mistakes are easier to find if they are not relied on by the Squall II Module hardware.

Table 5-4. Squall II Module Slave Timing

Name	Minimum	Maximum	Comment
t1	Note	Note	Clock to Output S_ADS#
t2	2	10	Clock to Output, SQxSEI
t4	10	--	Read S_DATA Setup to Clock
t5	2	--	S_DATA hold from Clock
t6	Note	Note	Clock to Output, S_BLAST# BE[3:0]
t7	Note	Note	Clock to Output, S_ADDR [31:02]
t8	Note	Note	Clock to Output, S_W/R#
t9	12	--	S_READY# Setup to Clock
t10	0	--	S_READY# Hold from Clock
t11	Note	Note	Clock to Output, S_DATA (Write)

NOTE: Signal timing is dependent on the type of i960 processor and the frequency of operation. Refer to Intel i960 processor data sheets for this timing information.

Figure 5-5 “Squall II Slave Burst Read Timing Diagram” on page 5-11 shows 3,1,1,1 clock cycle read; Figure 5-6 “Squall II Slave Burst Write Timing Diagram” on page 5-12 shows 3,2,2,2 clock cycle write. Any number of wait states may be run by Squall module slaves.

Figure 5-4. Squall II Slave Read and Write Timing Diagram

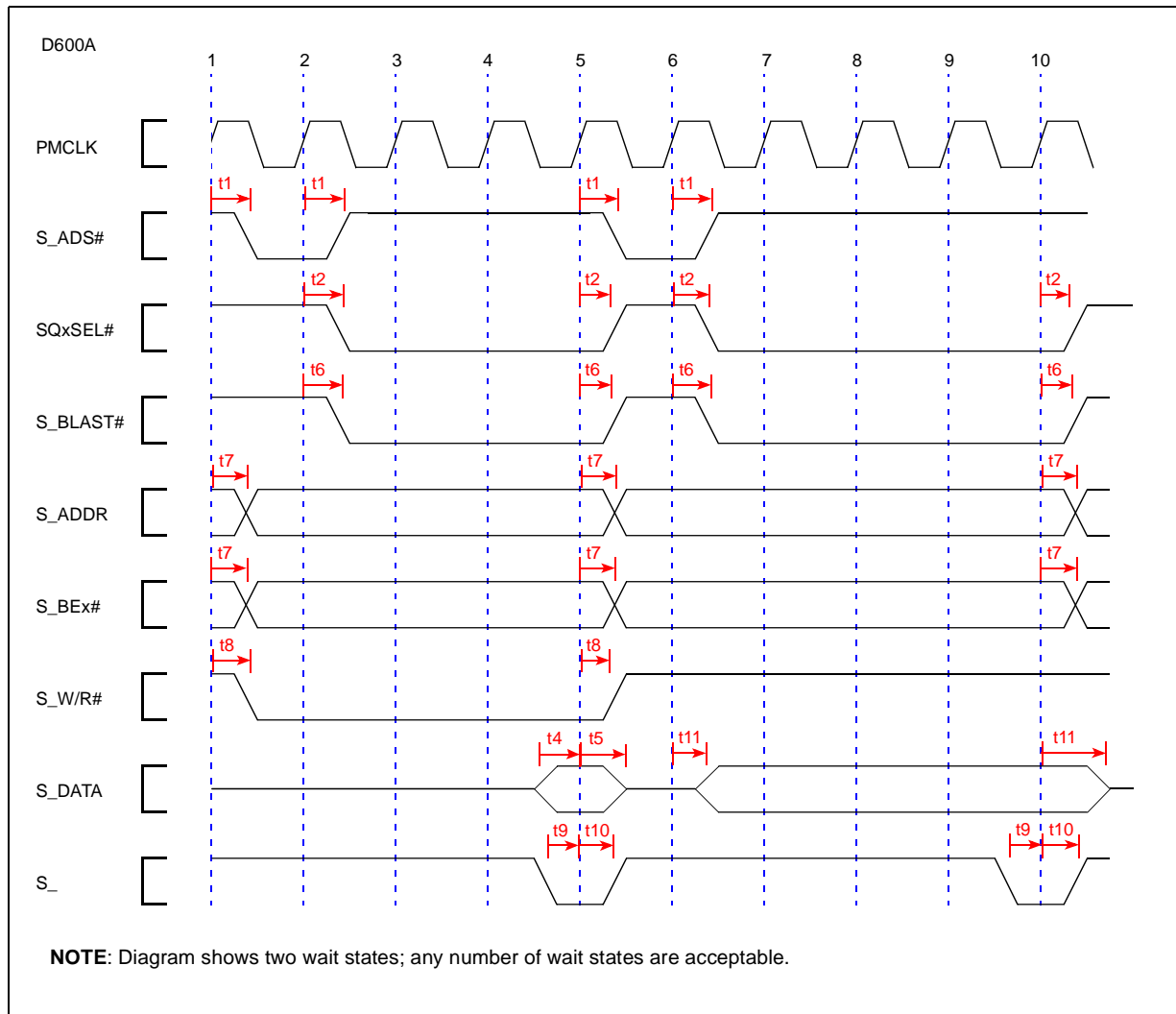


Figure 5-5. Squall II Slave Burst Read Timing Diagram

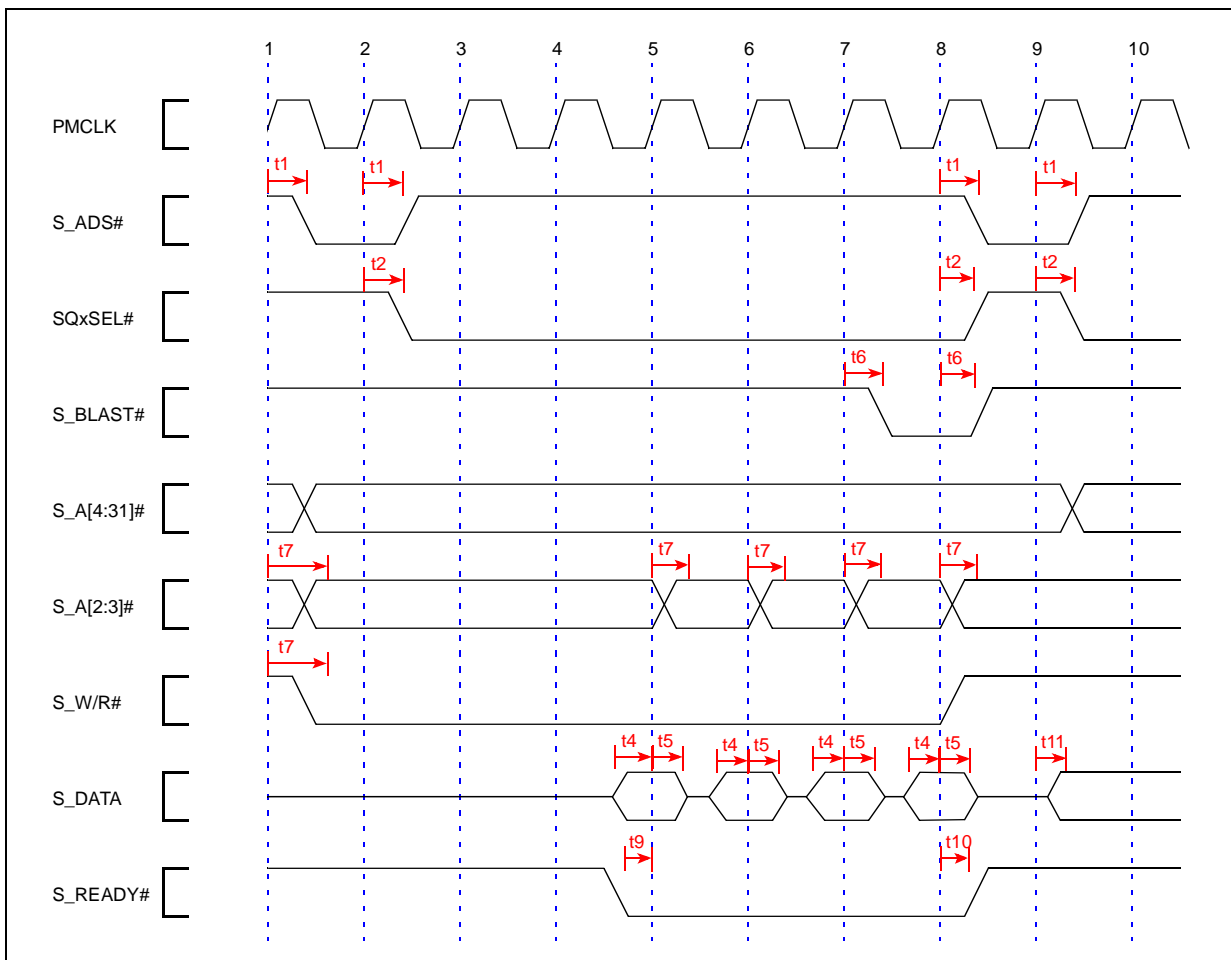
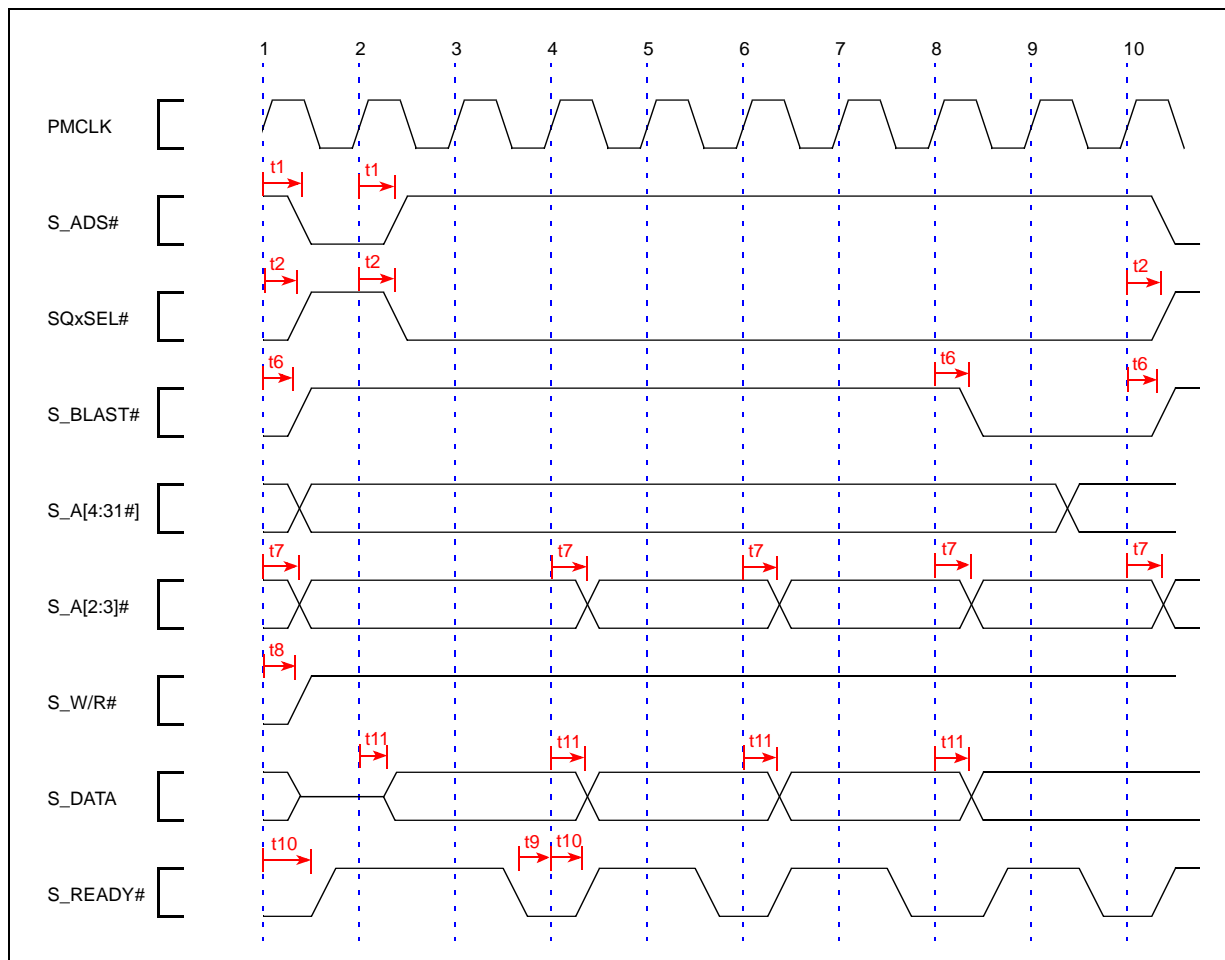


Figure 5-6. Squall II Slave Burst Write Timing Diagram



5.6.2 Squall II Module Master Timing

Squall II Module circuits may become masters of the shared bus to perform DMA operations to the shared DRAM. DMA controllers gain control of the bus via the SQBR# and SQBG# signals.

All signals, except the interrupt signals, are synchronous to the processor's clock (PLCK). Set up and hold times must be observed for every rising clock edge. Because of the high clock rates, the following signals must be driven high before they are three-stated: ADS#, BLAST#, EXTEND#, and LOCK#. This ensures that valid levels are observed on every rising clock edge.

DMA controllers gain control of the bus via the SQBR# and SQBG# signals. Memory cycles may then proceed with the same ADS#, BLAST#, and READY# protocol used by the i960 Cx, Jx, and Hx processors.

The optional use of the EXTEND# signal has been added to the interface to facilitate interfacing slower, older DMA controller designs. EXTEND# may only be used in single transfer read cycles to extend the time valid data is on the data bus. During an access with EXTEND# asserted, the

DRAM controller presents valid data on the bus with READY# asserted. The valid data remains on the bus and READY# remains asserted until the DRAM controller samples EXTEND# negated at a rising edge of the PMCLK. The controller then terminates the read cycle.

Assert BLAST# throughout the cycle. Using EXTEND# during a burst access is not allowed and will cause the DRAM controller to function improperly.

EXTEND# should be used during write cycles. Squall II Module logic can be used to delay the assertion of ADS# until valid data is on the bus, making the use of EXTEND# unnecessary. The DRAM controller will not function correctly if EXTEND# is asserted during write cycles.

Table 5-5. Squall II Module Master Timing

Name	Minimum	Maximum	Comment
t1	3	10	Clock to Output SQBG#
t2	10	--	Setup to clock rising edge for SQBR#, S_ADS#, S_BLAST#, S_A31:2, S_W/R#, S_BE3:0#
t3	0	20	Clock to output D31:0, Read Cycle
t4	5	--	D31:0 hold from clock, Read Cycle
t5	3	10	Clock to Output READY#
t7	10	--	Write Data Setup to Clock
t8	0	--	Write Data Hold from Clock
t9	0	30	SQBG# Inactive to control signals three-stated
t10	0	--	Hold from clock rising edge for SQBR#, S_ADS#, S_BLAST#, S_A31:2, S_W/R#, S_BE3:0
t11	0	--	SQBR# asserted to control outputs driven

Figure 5-7 “Squall II Master Read and Write Timing Diagram” on page 5-14 shows one wait state accesses.

The number of wait states depends on the clock frequency and memory speed. Refresh cycles may delay READY# up to 10 additional clock cycles. Squall II Modules should be designed to handle fewer wait states. Future base boards may incorporate faster memory systems.

Figure 5-7. Squall II Master Read and Write Timing Diagram

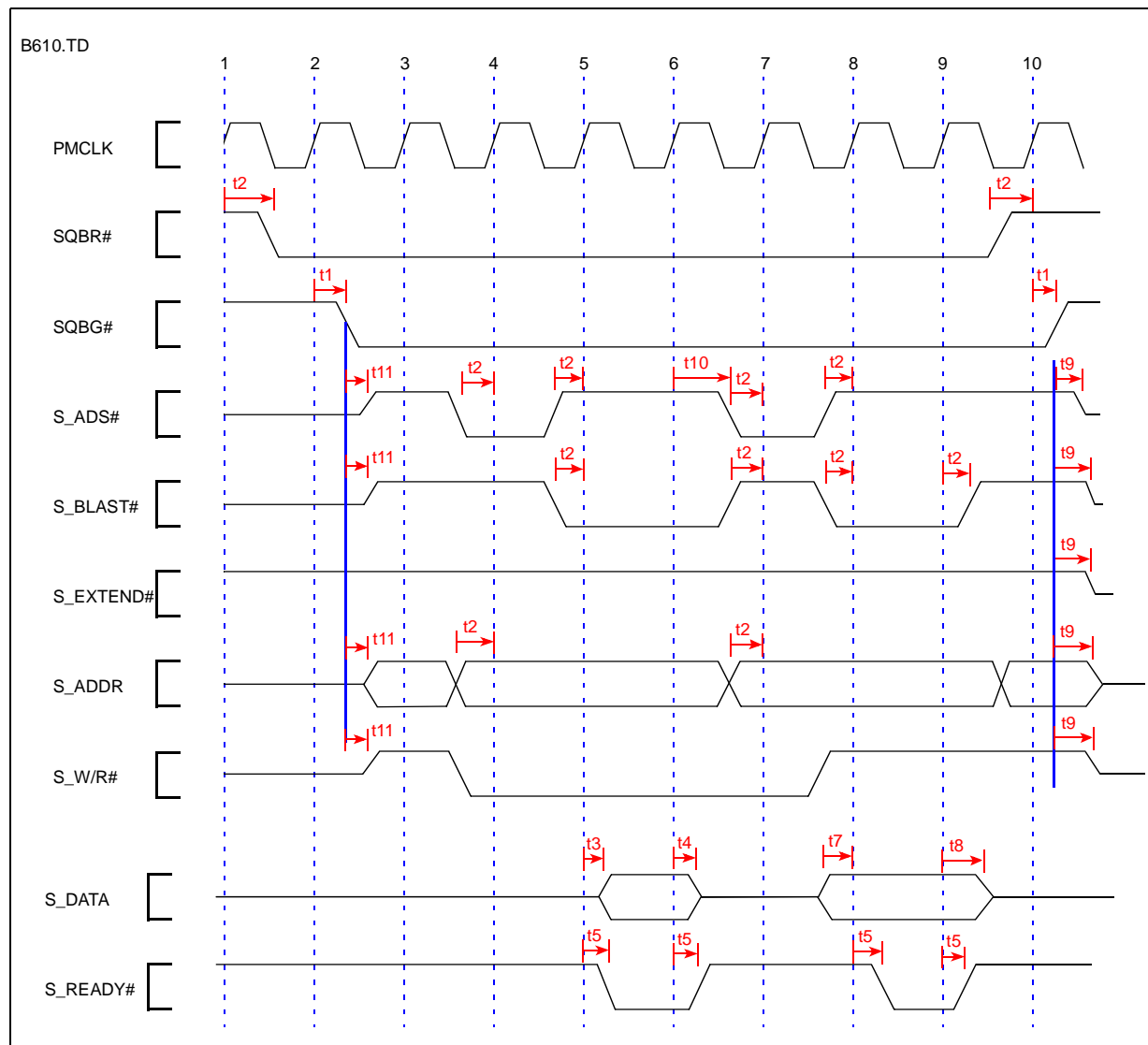


Figure 5-8. Squall II Master Burst Read and Write Timing Diagram

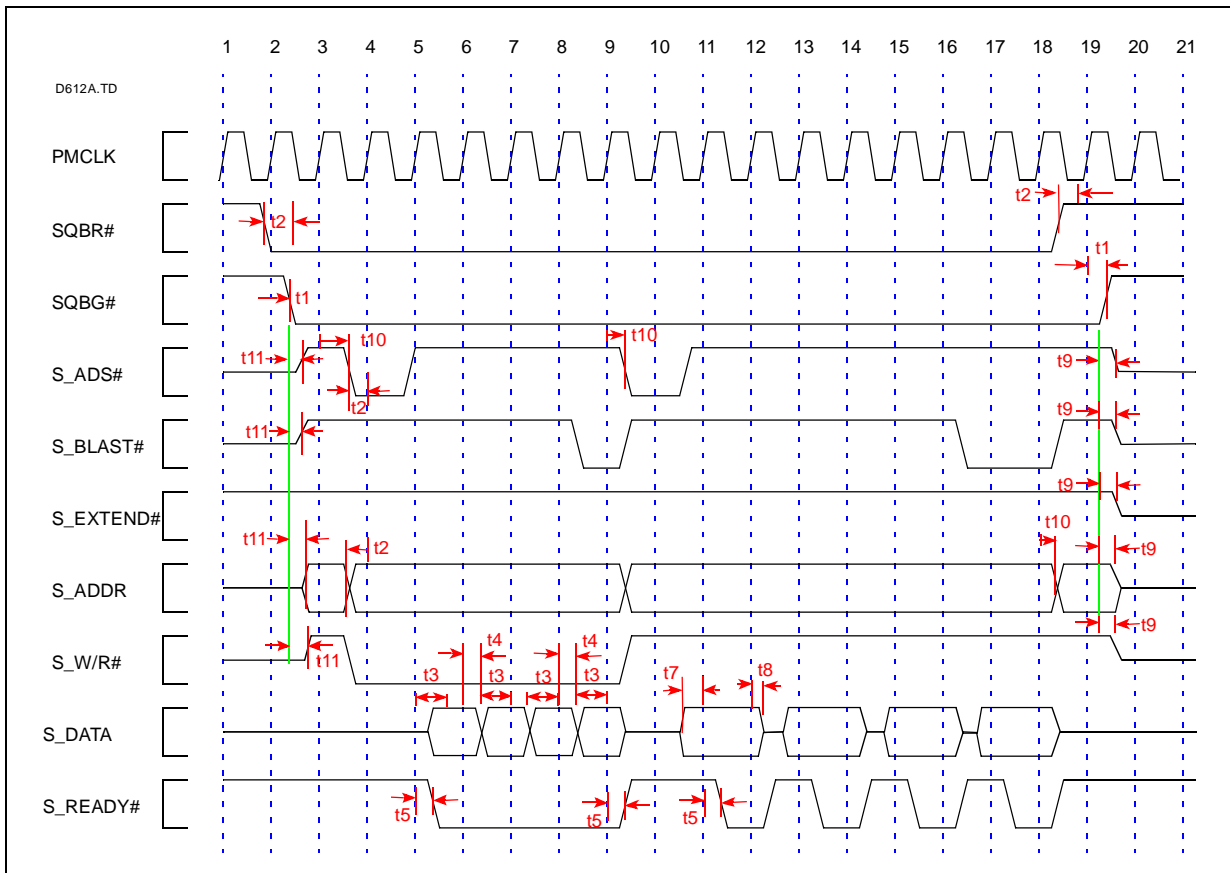
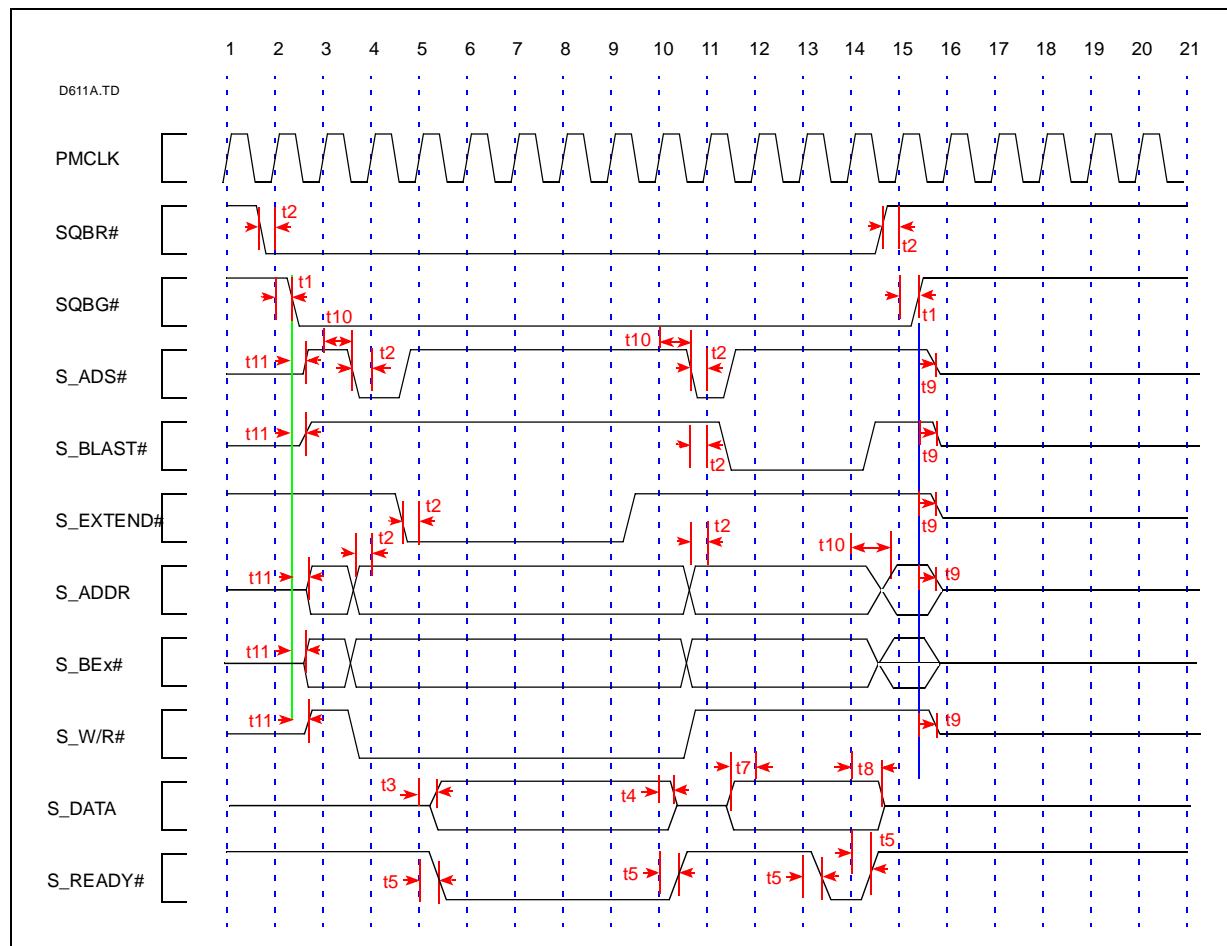


Figure 5-9 “Squall II Master Read Using S_EXTEND#” on page 5-16, shows a three clock cycle access. Refresh cycles may cause READY# to be delayed by up to 10 additional clock cycles.

Read cycle extends by asserting EXTEND#. Valid data is placed on the bus by the DRAM when READY# is asserted. Valid data is held on the bus for every rising clock edge in which EXTEND# is asserted. Cycle ends with BLAST# and READY# asserted and EXTEND# negated.

Figure 5-9. Squall II Master Read Using S_EXTEND#



5.7 Squall II Module Connector

The Squall II Module interface uses a 100-pin surface mount connector plug. Samtec* part number for the connector is TFM-150-32-SDL. Table 5-6 shows pin assignments for the Squall II Module connector.

Table 5-6. Squall II Module Pin Assignments

Pin	Signal	Pin	Signal	Pin	Signal	Pin	Signal	Pin	Signal
1	S_ADS#	21	S_EXTEND#	41	GND	61	S_A22	81	S_A03
2	GND	22	GND	42	S_D15	62	S_A21	82	S_A02
3	PMCLK	23	+5V	43	S_D14	63	S_A20	83	+5V
4	GND	24	S_D31	44	S_D13	64	S_A19	84	S_D07
5	S_BLAST#	25	S_D30	45	S_D12	65	S_A18	85	S_D06
6	S_LOCK#	26	S_D29	46	S_D11	66	S_A17	86	S_D05
7	S_W/R#	27	S_D28	47	S_D10	67	S_A16	87	S_D04
8	GND	28	S_D27	48	S_D09	68	+5V	88	S_D03
9	S_READY#	29	S_D26	49	S_D08	69	S_A15	89	S_D02
10	RESET#	30	S_D25	50	GND	70	S_A14	90	S_D01
11	S_BE0#	31	S_D24	51	S_A31	71	S_A13	91	S_D00
12	S_BE1#	32	GND	52	S_A30	72	S_A12	92	GND
13	S_BE2#	33	S_D23	53	S_A29	73	S_A11	93	+5V
14	S_BE3#	34	S_D22	54	S_A28	74	S_A10	94	---
15	SQSEL#	35	D_D21	55	S_A27	75	S_A09	95	---
16	GND	36	S_D20	56	S_A26	76	S_A08	96	GND
17	SQIRQ1#	37	S_D19	57	S_A25	77	S_107	97	SQSDA
18	SQIRQ0#	38	D_D18	58	S_A24	78	S_A06	98	SQSCL
19	SQBR#	39	S_D17	59	+5V	79	S_A05	99	+12V
20	SQBG#	40	D_D16	60	S_A23	80	S_A04	100	---

5.8 Squall II Module Signal Loading and Logic Selection

Selection of logic families for Squall II Modules deals mostly with the edge rate of the outputs. CMOS logic families, although they use less power than their bipolar predecessors, can be very noisy due to very fast edges transitioning full 5 volt swings from rail to rail. The high-speed 5 volt transitions can result in large under and over shoots, ringing, and ground bounce. Logic families such as ACT, FCT, and ACL all exhibit such tendencies.

Newer BiCMOS Logic families such as BCT or ABT are recommended. These families, like older TTL logic, switch between 3.5 v and ground, and contain edge control circuitry. The same consideration is true for programmable logic. Some manufacturers boast of higher speed parts, but achieve that objective by increasing the signal edge transitions. Designers should evaluate the transitions before deciding to use a part in a Squall II Module design.

The loading of the Squall II Module interface signals is very important. The majority of the signals are bussed between the Squall II Module connector, the shared memory, the processor interface, and the PCI bus interface. For best results, restrict these signals to two loads on each Squall II Module. Some signals are routed to an individual Squall II Module and, therefore, may be more heavily loaded. Refer to [Table 5-7](#) for specific loading restrictions.

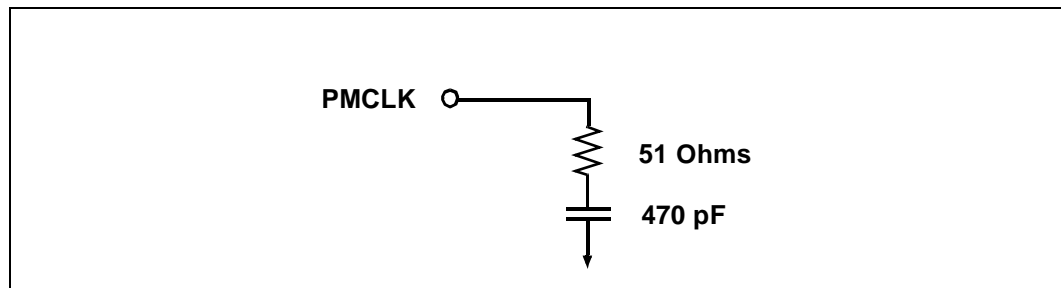
Table 5-7. Squall II Module Signal Loading

Signal	Loads
S_A, S_D, S_BE#, S_W/R#, S_ADS#, S_READY#, S_BLAST#, S_EXTEND#, S_LOCK#	2
SQSEL#	6
RESET#	10
SQBG#	6
PMCLK	5

5.9 Squall II Module Clock Termination

Individual clock signals are driven to each Squall II Module. Clock signals should be terminated with an AC termination of 470 pF and 51 ohms to ground as shown in [Figure 5-10](#). Care should be taken to locate the loads close to the end of the signal, especially in double sized modules.

Figure 5-10. Squall II Module Clock Termination



This appendix identifies Cyclone Evaluation Platform components and quantities, component reference name as it appears on the PC board, description of size or rating and the manufacturer's part number. To order replacement parts contact the manufacturer listed in [Table A-1](#).

Table A-1. Cyclone EP/PCI-SDK Platform Bill Of Materials (Sheet 1 of 3)

CYCLONE EVALUATION PLATFORM		Revised: December1994			
Revision: 0.01		CFEVALBD.SCH			
Bill Of Materials					
Item	Qty	Reference	Description	Mfg. Part #	Manufacturer
1	1	CR8	Diode	CMSH1-20	Central Semiconductor
2	1	U13	UART	TL16C550AFN	Texas Instruments
3	1	U15	Memory EPROM	X24C08S8	Xicor
4	2	U22, U27	Non-Volatile Memory	N28F020-200	Intel
5	4	U12, U21, U25, U26	IC	74ABT241D	National
6	1	U6	IC	SN74ABT245DW	Texas Instruments
7	2	U2, U3	IC	SN74ABT574DW	Texas Instruments
8	3	U1, U4, U5	IC	SN74LS244DW	Texas Instruments
9	1	U10	Clock Chip	AV9155-01CW20	ICS
10	1	C35	Capacitor, 0.01 μ F	C1206C101-K5RAC	Kemet
11	1	C36	Capacitor, 0.22 μ F	TAFAR0R22K35RBJ	AVX
12	33	C1, C2, C3, C4, C5, C7, C8, C9, C10, C11, C12, C13, C14, C15, C16, C18, C19, C20, C21, C22, C23, C24, C26, C27, C28, C29, C30, C31, C33, C37, C38, C39, C41	Capacitor, 0.01 μ F	C1206C104-M5UCA	Kemet
13	1	C34	Capacitor, 4.7 μ F	293D475X9035D2T	Sprague
14	3	C6, C17, C25	Capacitor, 33 μ F	293D336X9016D2T	Sprague
15	1	C40	Capacitor, 47 μ F	TPSD476K016R015	AVX
16	1	C32	Capacitor, 220 μ F	TPSE227K010R010	AVX
17	1	CR7	Diode	CMPSH3	Central Semiconductor
18	1	L1	Surface Mount Coil	CDR74B	Sumida
19	1	J6	Connector	641737-1	AMP

Table A-1. Cyclone EP/PCI-SDK Platform Bill Of Materials (Sheet 2 of 3)

CYCLONE EVALUATION PLATFORM Revision: 0.01 Bill Of Materials			Revised: December1994 CFEVALBD.SCH		
Item	Qty	Reference	Description	Mfg. Part #	Manufacturer
20	1	J1	DB25 Connector	747846-4	AMP
21	1	J5	Connector	GM-N-66	Kycon
22	2	J3, J4	70 Pin Connector	535697-6	AMP
23	1	J7	Power Connector	RAPC-722	Switch Craft
24	1	J2	Surface Mount Connector	1-104652-0	AMP
25	2	U19, J20	SIMM Socket	822134-3	AMP
26	1	U29	Clock Chip	CY7B991-7JC	Cypress
27	1	Q1	Transistor	IRF7101	International Rectifier
28	1	P1	Jumper (Not Installed)	10-89-6084	Molex
29	5	CR1, CR2, CR3, CR4, CR5	Green LED	LTL533-11	Lite-On
30	1	CR6	Red LED	LTL503-11	Lite-On
31	1	CR9	Red LED Package	555-4001	Dialight
32	1	U17	IC	MAX233ACWP	Maxium
33	1	U24	IC	MAX767CAP	Maxium
34	1	U9	IC	MAX8215CSD	Maxium
35	1	U23	PAL	PALCE20V8H-7JC	Intel
36	1	U7	PAL	PAL22V10-15JC	Intel
37	1	U8	PCI to 80960 Chip	PCI9060	PLX Technology
38	1	R12	Resistor, 1/8W, 1K, 5%	BCRY8102JT	Beckman
39	7	R17, R23, R24, R25, R26, R27, R28	Resistor, 1/8W, 10K, 5%	BCRY8103JT	Beckman
40	1	R21	Resistor, 1/8W, 10, 5%	BCRY8100JT	Beckman
41	1	R4	Resistor, 1/8W, 24.9K, 1%	BCRY82492FT	Beckman
42	2	R3	Resistor, 1/8W, 35.7K, 1%	BCRY83572FT	Beckman
43	3	R11, R14, R29	Resistor 1/8W, 00, 5%	FRJ-55P5489121	Vishay-Dale
44	10	R2, R5, R7, R9, R10, R13, R30, R31, R32, R33	Resistor, 1/8W, 470, 5%	BCRY8471JT	Beckman
45	1	R20	Resistor, 1W, 0.04, 5%	WSL-2512-R040	Vishay-Dale
46	5	R8, R16, R18, R19, R22	Resistor Package, 22 ohms	4814P-T01-220	Bourns
47	2	R1, R6	Resistor Package, 1K	4816P-T02-102	Bourns
48	1	R15	Resistor Package, 4.7K	4816P-T02-472	Bourns
49	1	S1	DIP Switch	DHS-45	Mors-Asc
50	1	S2	Push Button Switch	EP12-D1A-BE	C&K

Table A-1. Cyclone EP/PCI-SDK Platform Bill Of Materials (Sheet 3 of 3)

CYCLONE EVALUATION PLATFORM Revision: 0.01 Bill Of Materials		Revised: December1994 CFEVALBD.SCH			
Item	Qty	Reference	Description	Mfg. Part #	Manufacturer
51	1	U16	IC	TL7705ACD	Texas Instruments
52	1	Y1	Crystal	KDS143-20	KDS America
53	1	U14	IC	Z0853606VSC	Zilog
54	1	U18	FPGA	iFX780-84-10	Intel
55	1	U28	PAL	N85C220-10	Intel
56	1	R34	Resistor, 1/8 W, 2.2K, 5%	BCRY8222JT	Beckman

B

- Bandwidths 3-5
- baud rates
 - on the serial port 3-8

C

- Centronics interface 4-4
- chip selects 4-3
- CIO 3-10
 - specific usage 3-10
- C-language compilers 2-1
- Clock Generation 4-1
- Clock Signals 4-1
- Column Address Strobes 4-6
- Console Serial Port 3-8
- console serial port 3-8
- Counter I/O Unit (CIO) 3-10
- CPU module
 - installation 3-2
 - memory map 3-4
 - VPP switch 3-3

D

- data signals 4-4
- DB960 2-1
- deadlock 3-26
- debug monitor (MON960) 2-1
- Dedicated Interrupt Signals 3-7
- DMA chaining mode 3-32
- DMA Channel non-chaining mode 3-31
- DMA Channel programming 3-30
- DMA controller 3-4
- DMA Transfer Size Register 3-31
- doorbell registers 3-29
- DOS support 2-1
- DRAM
 - burst buses 4-6
 - early write cycles 4-6
 - features 4-1, 4-6
 - interleaved 3-4
 - page mode 4-6
 - performance 3-5
 - upgrading SIMMs 3-5
 - wait state performance 4-7
- DRAM controller 4-7
- DRAM design
 - performance 4-6
 - SIMMs 3-5
- DRAM Memory 3-4
- DRAM Speed 3-5

- Driver/Receiver, RS-232 4-5

E

- EEPROM Memory 3-13
- EPROM
 - support for 4-1
- Expansion Bus (X-Bus) 3-2
- Expansion ROM 3-6

F

- Features
 - functional blocks 4-1
 - I/O design 4-2
 - modem support 4-5
- FLASH
 - programming voltage 2-2
 - support for 4-1
- Flash memory 3-6
- Flex Logic 4-7

G

- GDB960 2-1
- GNU/960 2-1

H

- HDIL 2-1
- Host communications 2-1
- Host Debugger Interface Library (HDIL) 2-1

I

- interleaved DRAM 3-4
- Interleaving 4-6
- Interrupt Control and Status Register 3-27
- interrupts 3-7
- I/O data buffer control 4-3
- I/O subsystem
 - features 4-1

L

- LED (RED, GREEN) 3-2
- LEDs
 - power (green) 4-2
- LEDs, user 3-2
- Local Configuration Registers 3-15
- Local DMA Registers 3-15

Local Init Status bit 3-27

M

Mailbox registers 3-29
 MAX232 4-5
 memory system performance 4-6
 MONDB.EXE utility 2-1
 MON960 2-1

O

operating systems
 DOS and UNIX 2-1

P

parallel port
 bit assignments 3-9
 control register bit assignments 3-10
 data lines 4-4
 handshaking lines 4-4
 interrupts 4-4
 timing relationships 4-4
 Parallel port control register 3-9, 4-4
 Parallel port data register 3-9, 4-4
 parallel port interrupt 3-9
 parallel port interrupt enable bit 3-9
 Parallel port status register 3-9, 4-4
 Parallel Port (Centronics-compatible) 3-2
 PCI Configuration Registers 3-15
 PCI interrupts 3-27
 peripheral I/O 4-4
 PINTEN 3-9
 PLL, Internal 4-1
 Power (+5 VDC) 3-2
 Power (+5 VDC, +12 VDC) 3-2
 Presence Detect Signals 3-6

R

reset push-button 4-2
 Reset Strobe 4-2
 RS-232 port 3-8

S

serial port 4-5
 interface 4-5
 TXD, RXD, CTS, RTS 4-5
 serial port configuration 2-2
 Serial Port (RS-232) 3-2
 Shared Run Time Registers 3-15

SIMM 3-5
 SIMM sockets 3-4
 SIMMs 3-5, 4-6
 types supported 3-5
 Six-position DIP Switch 3-2
 Software Development Tools 2-1
 source-level debuggers 2-1
 Squall 5-4
 Squall II Module, Clock Termination 5-19
 Squall II Module, Interrupts 5-3
 Squall II Module, Master Timing 5-12
 Squall II Module, Physical Dimensions 5-1
 Squall II Module, Pin Assignments 5-17
 Squall II Module, Programmable Logic 5-18
 Squall II Module, Serial EEPROM 5-1
 Squall II Module, Signal Descriptions 5-6
 Squall II Module, Signal Loading 5-18
 Squall II Module, Slave Timing 5-8
 SwapROM switch 3-6

T

terminal emulation 2-2

U

UART 4-5
 Universal Asynchronous Receiver/Transmitter (UART) 4-5
 UNIX support 2-1

V

VPP switch 3-3
 Vpp Switch 3-3

W

wait state performance 4-7
 wait states 3-5, 4-6
 waveforms 4-7

X

X-Bus
 features 4-1
 X-Bus enabled mode 3-9

Z

Z8536 device (CIO) 3-10
 "phone plug" 3-8