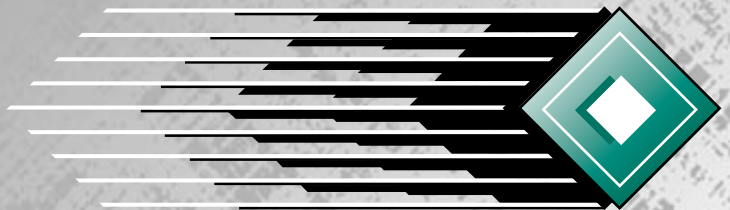


8XC196K_x, 8XC196J_x, 87C196CA Microcontroller Family User's Manual

Includes

8XC196KQ,
8XC196KR,
8XC196KS,
8XC196KT,
8XC196JQ,
8XC196JR,
8XC196JT,
8XC196JV,
87C196CA

intel[®]





**8XC196Kx,
8XC196Jx, 87C196CA
Microcontroller Family
User's Manual**

Includes
8XC196KQ, 8XC196KR, 8XC196KS, 8XC196KT,
8XC196JQ, 8XC196JR, 8XC196JT, 8XC196JV,
87C196CA

June 1995

A thick, vertical black bar located at the bottom right corner of the page.

Information in this document is provided solely to enable use of Intel products. Intel assumes no liability whatsoever, including infringement of any patent or copyright, for sale and use of Intel products except as provided in Intel's Terms and Conditions of Sale for such products.

Intel Corporation makes no warranty for the use of its products and assumes no responsibility for any errors which may appear in this document nor does it make a commitment to update the information contained herein.

Intel retains the right to make changes to these specifications at any time, without notice.

Contact your local Intel sales office or your distributor to obtain the latest specifications before placing your product order.

MDS is an ordering code only and is not used as a product name or trademark of Intel Corporation.

Intel Corporation and Intel's FASTPATH are not affiliated with Kinetics, a division of Excelan, Inc. or its FASTPATH trademark or products.

*Other brands and names are the property of their respective owners.

Additional copies of this document or other Intel literature may be obtained from:

Intel Corporation
Literature Sales
P.O. Box 7641
Mt. Prospect, IL 60056-7641
or call 1-800-879-4683

CONTENTS

CHAPTER 1

GUIDE TO THIS MANUAL

1.1	MANUAL CONTENTS	1-1
1.2	NOTATIONAL CONVENTIONS AND TERMINOLOGY	1-3
1.3	RELATED DOCUMENTS	1-5
1.4	ELECTRONIC SUPPORT SYSTEMS	1-8
1.4.1	FaxBack Service	1-8
1.4.2	Bulletin Board System (BBS)	1-9
1.4.2.1	How to Find MCS [®] 96 Microcontroller Files on the BBS	1-9
1.4.2.2	How to Find ApBUILDER Software and Hypertext Documents on the BBS	1-10
1.4.3	CompuServe Forums	1-10
1.4.4	World Wide Web	1-10
1.5	TECHNICAL SUPPORT	1-11
1.6	PRODUCT LITERATURE	1-11
1.7	TRAINING CLASSES	1-11

CHAPTER 2

ARCHITECTURAL OVERVIEW

2.1	TYPICAL APPLICATIONS.....	2-1
2.2	DEVICE FEATURES	2-2
2.3	BLOCK DIAGRAM.....	2-2
2.3.1	CPU Control	2-4
2.3.2	Register File	2-4
2.3.3	Register Arithmetic-logic Unit (RALU)	2-4
2.3.3.1	Code Execution	2-5
2.3.3.2	Instruction Format	2-5
2.3.4	Memory Controller	2-6
2.3.5	Interrupt Service	2-6
2.4	INTERNAL TIMING.....	2-7
2.5	INTERNAL PERIPHERALS.....	2-8
2.5.1	I/O Ports	2-9
2.5.2	Serial I/O (SIO) Port	2-9
2.5.3	Synchronous Serial I/O (SSIO) Port	2-9
2.5.4	Slave Port (8XC196Kx Only)	2-10
2.5.5	Event Processor Array (EPA) and Timer/Counters	2-10
2.5.6	Analog-to-digital Converter	2-11
2.5.7	Watchdog Timer	2-11
2.5.8	CAN Serial Communications Controller (87C196CA Only)	2-11
2.6	SPECIAL OPERATING MODES	2-11
2.6.1	Reducing Power Consumption	2-12

CONTENTS

2.6.2	Testing the Printed Circuit Board	2-12
2.6.3	Programming the Nonvolatile Memory	2-12
2.7	DESIGN CONSIDERATIONS FOR 87C196CA DEVICES.....	2-13
2.8	DESIGN CONSIDERATIONS FOR 8XC196JQ, JR, JT, AND JV DEVICES.....	2-14

CHAPTER 3 PROGRAMMING CONSIDERATIONS

3.1	OVERVIEW OF THE INSTRUCTION SET	3-1
3.1.1	BIT Operands	3-2
3.1.2	BYTE Operands	3-2
3.1.3	SHORT-INTEGER Operands	3-2
3.1.4	WORD Operands	3-2
3.1.5	INTEGER Operands	3-3
3.1.6	DOUBLE-WORD Operands	3-3
3.1.7	LONG-INTEGER Operands	3-4
3.1.8	Converting Operands	3-4
3.1.9	Conditional Jumps	3-4
3.1.10	Floating Point Operations	3-4
3.2	ADDRESSING MODES	3-5
3.2.1	Direct Addressing	3-6
3.2.2	Immediate Addressing	3-6
3.2.3	Indirect Addressing	3-6
3.2.3.1	Indirect Addressing with Autoincrement	3-7
3.2.3.2	Indirect Addressing with the Stack Pointer	3-7
3.2.4	Indexed Addressing	3-7
3.2.4.1	Short-indexed Addressing	3-7
3.2.4.2	Long-indexed Addressing	3-8
3.2.4.3	Zero-indexed Addressing	3-8
3.3	ASSEMBLY LANGUAGE ADDRESSING MODE SELECTIONS	3-9
3.3.1	Direct Addressing	3-9
3.3.2	Indexed Addressing	3-9
3.4	SOFTWARE STANDARDS AND CONVENTIONS	3-9
3.4.1	Using Registers	3-9
3.4.2	Addressing 32-bit Operands	3-10
3.4.3	Linking Subroutines	3-10
3.5	SOFTWARE PROTECTION FEATURES AND GUIDELINES	3-11

CHAPTER 4 MEMORY PARTITIONS

4.1	MEMORY PARTITIONS	4-1
4.1.1	External Devices (Memory or I/O)	4-1
4.1.2	Program and Special-purpose Memory	4-1
4.1.3	Program Memory	4-3
4.1.4	Special-purpose Memory	4-3

4.1.4.1	Reserved Memory Locations	4-4
4.1.4.2	Interrupt and PTS Vectors	4-4
4.1.4.3	Security Key	4-4
4.1.4.4	Chip Configuration Bytes (CCBs)	4-4
4.1.5	Special-function Registers (SFRs)	4-5
4.1.5.1	Memory-mapped SFRs	4-5
4.1.5.2	Peripheral SFRs	4-6
4.1.6	Internal RAM (Code RAM)	4-10
4.1.7	Register File	4-10
4.1.7.1	General-purpose Register RAM	4-12
4.1.7.2	Stack Pointer (SP)	4-12
4.1.7.3	CPU Special-function Registers (SFRs)	4-13
4.2	WINDOWING	4-13
4.2.1	Selecting a Window	4-14
4.2.2	Addressing a Location Through a Window	4-17
4.2.2.1	32-byte Windowing Example	4-20
4.2.2.2	64-byte Windowing Example	4-20
4.2.2.3	128-byte Windowing Example	4-20
4.2.2.4	Unsupported Locations Windowing Example	4-21
4.2.2.5	Using the Linker Locator to Set Up a Window	4-21
4.2.3	Windowing and Addressing Modes	4-23

CHAPTER 5
STANDARD AND PTS INTERRUPTS

5.1	OVERVIEW	5-1
5.2	INTERRUPT SIGNALS AND REGISTERS	5-3
5.3	INTERRUPT SOURCES AND PRIORITIES.....	5-4
5.3.1	Special Interrupts	5-6
5.3.1.1	Unimplemented Opcode	5-6
5.3.1.2	Software Trap	5-6
5.3.1.3	NMI	5-6
5.3.2	External Interrupt Pins	5-6
5.3.3	Multiplexed Interrupt Sources	5-7
5.3.4	End-of-PTS Interrupts	5-7
5.4	INTERRUPT LATENCY.....	5-7
5.4.1	Situations that Increase Interrupt Latency	5-8
5.4.2	Calculating Latency	5-9
5.4.2.1	Standard Interrupt Latency	5-9
5.4.2.2	PTS Interrupt Latency	5-10
5.5	PROGRAMMING THE INTERRUPTS.....	5-11
5.5.1	Programming the Multiplexed Interrupts	5-11
5.5.2	Modifying Interrupt Priorities	5-14
5.5.3	Determining the Source of an Interrupt	5-16
5.5.3.1	Determining the Source of Multiplexed Interrupts	5-16
5.6	INITIALIZING THE PTS CONTROL BLOCKS.....	5-18

CONTENTS

5.6.1	Specifying the PTS Count	5-19
5.6.2	Selecting the PTS Mode	5-21
5.6.3	Single Transfer Mode	5-21
5.6.4	Block Transfer Mode	5-24
5.6.5	A/D Scan Mode	5-26
5.6.5.1	A/D Scan Mode Cycles	5-29
5.6.5.2	A/D Scan Mode Example 1	5-29
5.6.5.3	A/D Scan Mode Example 2	5-30
5.6.6	PWM Modes	5-31
5.6.6.1	PWM Toggle Mode Example	5-32
5.6.6.2	PWM Remap Mode Example	5-37

CHAPTER 6

I/O PORTS

6.1	I/O PORTS OVERVIEW	6-1
6.2	INPUT-ONLY PORT 0	6-1
6.2.1	Standard Input-only Port Operation	6-2
6.2.2	Standard Input-only Port Considerations	6-3
6.3	BIDIRECTIONAL PORTS 1, 2, 5, AND 6	6-4
6.3.1	Bidirectional Port Operation	6-6
6.3.2	Bidirectional Port Pin Configurations	6-10
6.3.3	Bidirectional Port Pin Configuration Example	6-11
6.3.4	Bidirectional Port Considerations	6-12
6.3.5	Design Considerations for External Interrupt Inputs	6-15
6.4	BIDIRECTIONAL PORTS 3 AND 4 (ADDRESS/DATA BUS).....	6-15
6.4.1	Bidirectional Ports 3 and 4 (Address/Data Bus) Operation	6-16
6.4.2	Using Ports 3 and 4 as I/O	6-18
6.4.3	Design Considerations for Ports 3 and 4	6-19

CHAPTER 7

SERIAL I/O (SIO) PORT

7.1	SERIAL I/O (SIO) PORT FUNCTIONAL OVERVIEW	7-1
7.2	SERIAL I/O PORT SIGNALS AND REGISTERS	7-2
7.3	SERIAL PORT MODES	7-4
7.3.1	Synchronous Mode (Mode 0)	7-4
7.3.2	Asynchronous Modes (Modes 1, 2, and 3)	7-6
7.3.2.1	Mode 1	7-6
7.3.2.2	Mode 2	7-7
7.3.2.3	Mode 3	7-7
7.3.2.4	Mode 2 and 3 Timings	7-7
7.3.2.5	Multiprocessor Communications	7-8
7.4	PROGRAMMING THE SERIAL PORT	7-8
7.4.1	Configuring the Serial Port Pins	7-8
7.4.2	Programming the Control Register	7-8

7.4.3	Programming the Baud Rate and Clock Source	7-10
7.4.4	Enabling the Serial Port Interrupts	7-12
7.4.5	Determining Serial Port Status	7-13
7.5	PROGRAMMING EXAMPLE USING AN INTERRUPT-DRIVEN ROUTINE	7-14

CHAPTER 8
SYNCHRONOUS SERIAL I/O (SSIO) PORT

8.1	SYNCHRONOUS SERIAL I/O (SSIO) PORT FUNCTIONAL OVERVIEW.....	8-1
8.2	SSIO PORT SIGNALS AND REGISTERS	8-2
8.3	SSIO OPERATION	8-3
8.4	SSIO HANDSHAKING	8-6
8.4.1	SSIO Handshaking Configuration	8-6
8.4.2	SSIO Handshaking Operation	8-7
8.5	PROGRAMMING THE SSIO PORT	8-9
8.5.1	Configuring the SSIO Port Pins	8-9
8.5.2	Programming the Baud Rate and Enabling the Baud-rate Generator	8-9
8.5.3	Controlling the Communications Mode and Handshaking	8-10
8.5.4	Enabling the SSIO Interrupts	8-13
8.5.5	Determining SSIO Port Status	8-13
8.6	PROGRAMMING CONSIDERATIONS.....	8-13
8.7	PROGRAMMING EXAMPLE	8-15

CHAPTER 9
SLAVE PORT

9.1	SLAVE PORT FUNCTIONAL OVERVIEW	9-2
9.2	SLAVE PORT SIGNALS AND REGISTERS	9-2
9.3	HARDWARE CONNECTIONS	9-6
9.4	SLAVE PORT MODES	9-8
9.4.1	Standard Slave Mode Example	9-8
9.4.1.1	Master Device Program	9-8
9.4.1.2	Slave Device Program	9-9
9.4.1.3	Demultiplexed Bus Timings	9-10
9.4.2	Shared Memory Mode Example (8XC196KS and KT only)	9-11
9.4.2.1	Master Device Program	9-11
9.4.2.2	Slave Device Program	9-12
9.4.2.3	Multiplexed Bus Timings	9-13
9.5	CONFIGURING THE SLAVE PORT.....	9-14
9.5.1	Programming the Slave Port Control Register (SLP_CON)	9-14
9.5.2	Enabling the Slave Port Interrupts	9-16
9.6	DETERMINING SLAVE PORT STATUS.....	9-16
9.7	USING STATUS BITS TO SYNCHRONIZE MASTER AND SLAVE	9-16

CONTENTS

CHAPTER 10

EVENT PROCESSOR ARRAY (EPA)

10.1	EPA FUNCTIONAL OVERVIEW	10-1
10.2	EPA AND TIMER/COUNTER SIGNALS AND REGISTERS	10-2
10.3	TIMER/COUNTER FUNCTIONAL OVERVIEW.....	10-6
10.3.1	Cascade Mode (Timer 2 Only)	10-7
10.3.2	Quadrature Clocking Mode	10-7
10.4	EPA CHANNEL FUNCTIONAL OVERVIEW	10-9
10.4.1	Operating in Capture Mode	10-11
10.4.1.1	Handling EPA Overruns	10-12
10.4.2	Operating in Compare Mode	10-13
10.4.2.1	Generating a Low-speed PWM Output	10-14
10.4.2.2	Generating a Medium-speed PWM Output	10-15
10.4.2.3	Generating a High-speed PWM Output	10-16
10.4.2.4	Generating the Highest-speed PWM Output	10-16
10.5	PROGRAMMING THE EPA AND TIMER/COUNTERS.....	10-17
10.5.1	Configuring the EPA and Timer/Counter Port Pins	10-17
10.5.2	Programming the Timers	10-17
10.5.3	Programming the Capture/Compare Channels	10-20
10.5.4	Programming the Compare-only Channels	10-25
10.6	ENABLING THE EPA INTERRUPTS	10-26
10.7	DETERMINING EVENT STATUS.....	10-28
10.8	SERVICING THE MULTIPLEXED EPA INTERRUPT WITH SOFTWARE.....	10-29
10.8.1	Using the TIJMP Instruction to Reduce Interrupt Service Overhead	10-31
10.9	PROGRAMMING EXAMPLES FOR EPA CHANNELS	10-33
10.9.1	EPA Compare Event Program	10-33
10.9.2	EPA Capture Event Program	10-34
10.9.3	EPA PWM Output Program	10-35

CHAPTER 11

ANALOG-TO-DIGITAL CONVERTER

11.1	A/D CONVERTER FUNCTIONAL OVERVIEW	11-1
11.2	A/D CONVERTER SIGNALS AND REGISTERS	11-2
11.3	A/D CONVERTER OPERATION	11-3
11.4	PROGRAMMING THE A/D CONVERTER	11-4
11.4.1	Programming the A/D Test Register	11-5
11.4.2	Programming the A/D Result Register (for Threshold Detection Only)	11-6
11.4.3	Programming the A/D Time Register	11-6
11.4.4	Programming the A/D Command Register	11-8
11.4.5	Enabling the A/D Interrupt	11-9
11.5	DETERMINING A/D STATUS AND CONVERSION RESULTS	11-9
11.6	DESIGN CONSIDERATIONS.....	11-10
11.6.1	Designing External Interface Circuitry	11-11

11.6.1.1	Minimizing the Effect of High Input Source Resistance	11-12
11.6.1.2	Suggested A/D Input Circuit	11-13
11.6.1.3	Analog Ground and Reference Voltages	11-13
11.6.1.4	Using Mixed Analog and Digital Inputs	11-14
11.6.2	Understanding A/D Conversion Errors	11-14

CHAPTER 12
CAN SERIAL COMMUNICATIONS CONTROLLER

12.1	CAN FUNCTIONAL OVERVIEW	12-1
12.2	CAN CONTROLLER SIGNALS AND REGISTERS	12-3
12.3	CAN CONTROLLER OPERATION	12-4
12.3.1	Address Map	12-5
12.3.2	Message Objects	12-5
12.3.2.1	Receive and Transmit Priorities	12-6
12.3.2.2	Message Acceptance Filtering	12-6
12.3.3	Message Frames	12-7
12.3.4	Error Detection and Management Logic	12-9
12.3.5	Bit Timing	12-10
12.3.5.1	Bit Timing Equations	12-12
12.4	CONFIGURING THE CAN CONTROLLER	12-13
12.4.1	Programming the CAN Control (CAN_CON) Register	12-13
12.4.2	Programming the Bit Timing 0 (CAN_BTME0) Register	12-15
12.4.3	Programming the Bit Timing 1 (CAN_BTME1) Register	12-16
12.4.4	Programming a Message Acceptance Filter	12-18
12.5	CONFIGURING MESSAGE OBJECTS	12-20
12.5.1	Specifying a Message Object's Configuration	12-21
12.5.2	Programming the Message Object Identifier	12-22
12.5.3	Programming the Message Object Control Registers	12-23
12.5.3.1	Message Object Control Register 0	12-23
12.5.3.2	Message Object Control Register 1	12-23
12.5.4	Programming the Message Object Data	12-23
12.6	ENABLING THE CAN INTERRUPTS	12-29
12.7	DETERMINING THE CAN CONTROLLER'S INTERRUPT STATUS	12-32
12.8	FLOW DIAGRAMS	12-35
12.9	DESIGN CONSIDERATIONS	12-41
12.9.1	Hardware Reset	12-41
12.9.2	Software Initialization	12-41
12.9.3	Bus-off State	12-41

CHAPTER 13
MINIMUM HARDWARE CONSIDERATIONS

13.1	MINIMUM CONNECTIONS	13-1
13.1.1	Unused Inputs	13-2
13.1.2	I/O Port Pin Connections	13-2

CONTENTS

13.2	APPLYING AND REMOVING POWER	13-4
13.3	NOISE PROTECTION TIPS	13-4
13.4	PROVIDING THE CLOCK	13-5
13.4.1	Using the On-chip Oscillator	13-5
13.4.2	Using a Ceramic Resonator Instead of a Crystal Oscillator	13-7
13.4.3	Providing an External Clock Source	13-7
13.5	RESETTING THE DEVICE	13-8
13.5.1	Generating an External Reset	13-10
13.5.2	Issuing the Reset (RST) Instruction	13-12
13.5.3	Issuing an Illegal IDLPD Key Operand	13-12
13.5.4	Enabling the Watchdog Timer	13-12
13.5.5	Detecting Oscillator Failure	13-12

CHAPTER 14

SPECIAL OPERATING MODES

14.1	SPECIAL OPERATING MODE SIGNALS AND REGISTERS	14-1
14.2	REDUCING POWER CONSUMPTION	14-3
14.3	IDLE MODE	14-3
14.4	POWERDOWN MODE	14-4
14.4.1	Enabling and Disabling Powerdown Mode	14-4
14.4.2	Entering Powerdown Mode	14-5
14.4.3	Exiting Powerdown Mode	14-5
14.4.3.1	Driving the V_{pp} Pin Low	14-5
14.4.3.2	Generating a Hardware Reset	14-6
14.4.3.3	Asserting the External Interrupt Signal	14-6
14.4.3.4	Selecting R_1 and C_1	14-7
14.5	ONCE MODE	14-9
14.5.1	Entering and Exiting ONCE Mode	14-9
14.6	RESERVED TEST MODES	14-10

CHAPTER 15

INTERFACING WITH EXTERNAL MEMORY

15.1	EXTERNAL MEMORY INTERFACE SIGNALS	15-1
15.2	CHIP CONFIGURATION REGISTERS AND CHIP CONFIGURATION BYTES	15-4
15.3	BUS WIDTH AND MULTIPLEXING	15-8
15.3.1	Timing Requirements for BUSWIDTH	15-10
15.3.2	16-bit Bus Timings	15-11
15.3.3	8-bit Bus Timings	15-13
15.4	WAIT STATES (READY CONTROL)	15-14
15.5	BUS-HOLD PROTOCOL (8XC196KQ, KR, KS, KT ONLY)	15-17
15.5.1	Enabling the Bus-hold Protocol (8XC196Kx Only)	15-18
15.5.2	Disabling the Bus-hold Protocol (8XC196Kx Only)	15-19
15.5.3	Hold Latency (8XC196Kx Only)	15-19

15.5.4	Regaining Bus Control (8XC196Kx Only)	15-20
15.6	BUS-CONTROL MODES	15-20
15.6.1	Standard Bus-control Mode	15-20
15.6.2	Write Strobe Mode	15-24
15.6.3	Address Valid Strobe Mode	15-26
15.6.4	Address Valid with Write Strobe Mode	15-29
15.7	BUS TIMING MODES (8XC196KS, KT ONLY)	15-30
15.7.1	Mode 3, Standard Mode	15-32
15.7.2	Mode 0, Standard Timing with One Automatic Wait State	15-32
15.7.3	Mode 1, Long Read/Write Mode	15-32
15.7.4	Mode 2, Long Read/Write with Early Address	15-33
15.7.5	Design Considerations	15-34
15.8	SYSTEM BUS AC TIMING SPECIFICATIONS	15-36

CHAPTER 16

PROGRAMMING THE NONVOLATILE MEMORY

16.1	PROGRAMMING METHODS	16-2
16.2	OTPROM MEMORY MAP	16-2
16.3	SECURITY FEATURES	16-3
16.3.1	Controlling Access to Internal Memory	16-4
16.3.1.1	Controlling Access to the OTPROM During Normal Operation	16-4
16.3.1.2	Controlling Access to the OTPROM During Programming Modes	16-5
16.3.2	Controlling Fetches from External Memory	16-6
16.3.3	Enabling the Oscillator Failure Detection Circuitry	16-8
16.4	PROGRAMMING PULSE WIDTH	16-8
16.5	MODIFIED QUICK-PULSE ALGORITHM	16-10
16.6	PROGRAMMING MODE PINS	16-11
16.7	ENTERING PROGRAMMING MODES	16-14
16.7.1	Selecting the Programming Mode	16-14
16.7.2	Power-up and Power-down Sequences	16-14
16.7.2.1	Power-up Sequence	16-15
16.7.2.2	Power-down Sequence	16-15
16.8	SLAVE PROGRAMMING MODE	16-15
16.8.1	Reading the Signature Word and Programming Voltages	16-16
16.8.2	Slave Programming Circuit and Memory Map	16-16
16.8.3	Operating Environment	16-18
16.8.4	Slave Programming Routines	16-20
16.8.5	Timing Mnemonics	16-25
16.9	AUTO PROGRAMMING MODE	16-26
16.9.1	Auto Programming Circuit and Memory Map	16-26
16.9.2	Operating Environment	16-28
16.9.3	Auto Programming Routine	16-28
16.9.4	Auto Programming Procedure	16-30

CONTENTS

16.9.5	ROM-dump Mode	16-31
16.10	SERIAL PORT PROGRAMMING MODE	16-32
16.10.1	Serial Port Programming Circuit and Memory Map	16-32
16.10.2	Changing Serial Port Programming Defaults	16-34
16.10.3	Executing Programs from Internal RAM	16-35
16.10.4	Reduced Instruction Set Monitor (RISM)	16-35
16.10.5	RISM Command Descriptions	16-36
16.10.6	RISM Command Examples	16-38
16.10.6.1	Example 1 — Programming the PPW	16-39
16.10.6.2	Example 2 — Reading OTPROM Contents	16-40
16.10.6.3	Example 3 — Loading a Program into Internal RAM	16-40
16.10.6.4	Example 4 — Setting the PC and Executing the Program	16-42
16.10.6.5	Writing to OTPROM with Examples 3 and 4	16-43
16.11	RUN-TIME PROGRAMMING	16-44

APPENDIX A INSTRUCTION SET REFERENCE

APPENDIX B SIGNAL DESCRIPTIONS

B.1	SIGNAL NAME CHANGES.....	B-1
B.2	FUNCTIONAL GROUPINGS OF SIGNALS	B-1
B.3	SIGNAL DESCRIPTIONS.....	B-8
B.4	DEFAULT CONDITIONS.....	B-19

APPENDIX C REGISTERS

GLOSSARY

INDEX

FIGURES

Figure		Page
2-1	8XC196Kx Block Diagram	2-3
2-2	Block Diagram of the Core	2-3
2-3	Clock Circuitry	2-7
2-4	Internal Clock Phases	2-8
4-1	Register File Memory Map	4-11
4-2	Windowing	4-14
4-3	Window Selection Register (WSR)	4-15
5-1	Flow Diagram for PTS and Standard Interrupts	5-2
5-2	Standard Interrupt Response Time	5-9
5-3	PTS Interrupt Response Time	5-10
5-4	PTS Select (PTSSEL) Register	5-12
5-5	Interrupt Mask (INT_MASK) Register	5-13
5-6	Interrupt Mask 1 (INT_MASK1) Register	5-14
5-7	Interrupt Pending (INT_PEND) Register	5-17
5-8	Interrupt Pending 1 (INT_PEND1) Register	5-18
5-9	PTS Control Blocks	5-19
5-10	PTS Service (PTSSRV) Register	5-20
5-11	PTS Mode Selection Bits (PTSCON Bits 7:5)	5-21
5-12	PTS Control Block – Single Transfer Mode	5-22
5-13	PTS Control Block – Block Transfer Mode	5-25
5-14	PTS Control Block – A/D Scan Mode	5-27
5-15	A Generic PWM Waveform	5-32
5-16	PTS Control Block – PWM Toggle Mode	5-34
5-17	EPA and PTS Operations for the PWM Toggle Mode Example	5-36
5-18	PTS Control Block – PWM Remap Mode	5-39
5-19	EPA and PTS Operations for the PWM Remap Mode Example	5-41
6-1	Standard Input-only Port Structure	6-3
6-2	Bidirectional Port Structure	6-8
6-3	Address/Data Bus (Ports 3 and 4) Structure	6-17
7-1	SIO Block Diagram	7-1
7-2	Typical Shift Register Circuit for Mode 0	7-5
7-3	Mode 0 Timing	7-5
7-4	Serial Port Frames for Mode 1	7-6
7-5	Serial Port Frames in Mode 2 and 3	7-7
7-6	Serial Port Control (SP_CON) Register	7-9
7-7	Serial Port Baud Rate (SP_BAUD) Register	7-10
7-8	Serial Port Status (SP_STATUS) Register	7-13
8-1	SSIO Block Diagram	8-1
8-2	SSIO Operating Modes	8-4
8-3	SSIO Transmit/Receive Timings	8-6
8-4	SSIO Handshaking Flow Diagram	8-7
8-5	Synchronous Serial Port Baud (SSIO_BAUD) Register	8-10
8-6	Synchronous Serial Control x (SSIOx_CON) Registers	8-11
8-7	Variable-width MSB in SSIO Transmissions	8-14

FIGURES

Figure	Page
9-1	DPRAM vs Slave-Port Solution9-2
9-2	Slave Port Block Diagram.....9-3
9-3	Master/Slave Hardware Connections9-7
9-4	Standard Slave Mode Timings (Demultiplexed Bus)9-10
9-5	Standard or Shared Memory Mode Timings (Multiplexed Bus).....9-13
9-6	Slave Port Control (SLP_CON) Register9-15
9-7	Slave Port Status (SLP_STAT) Register9-17
10-1	EPA Block Diagram10-2
10-2	EPA Timer/Counters10-6
10-3	Quadrature Mode Interface10-8
10-4	Quadrature Mode Timing and Count10-9
10-5	A Single EPA Capture/Compare Channel10-10
10-6	EPA Simplified Input-Capture Structure10-11
10-7	Valid EPA Input Events10-12
10-8	Timer 1 Control (T1CONTROL) Register10-18
10-9	Timer 2 Control (T2CONTROL) Register10-19
10-10	EPA Control (EPAX_CON) Registers10-21
10-11	EPA Compare Control (COMPx_CON) Registers.....10-25
10-12	EPA Interrupt Mask (EPA_MASK) Register10-27
10-13	EPA Interrupt Mask 1 (EPA_MASK1) Register10-27
10-14	EPA Interrupt Pending (EPA_PEND) Register10-28
10-15	EPA Interrupt Pending 1 (EPA_PEND1) Registers10-29
10-16	EPA Interrupt Priority Vector Register (EPAIPV).....10-30
11-1	A/D Converter Block Diagram11-1
11-2	A/D Test (AD_TEST) Register.....11-5
11-3	A/D Result (AD_RESULT) Register — Write Format.....11-6
11-4	A/D Time (AD_TIME) Register11-7
11-5	A/D Command (AD_COMMAND) Register11-8
11-6	A/D Result (AD_RESULT) Register — Read Format.....11-10
11-7	Idealized A/D Sampling Circuitry11-11
11-8	Suggested A/D Input Circuit11-13
11-9	Ideal A/D Conversion Characteristic.....11-16
11-10	Actual and Ideal A/D Conversion Characteristics11-17
11-11	Terminal-based A/D Conversion Characteristic11-19
12-1	A System Using CAN Controllers12-1
12-2	CAN Controller Block Diagram12-2
12-3	CAN Message Frames12-7
12-4	A Bit Time as Specified by the CAN Protocol.....12-10
12-5	A Bit Time as Implemented in the CAN Controller12-11
12-6	CAN Control (CAN_CON) Register12-13
12-7	CAN Bit Timing 0 (CAN_BTIME0) Register.....12-15
12-8	CAN Bit Timing 1 (CAN_BTIME1) Register.....12-16
12-9	CAN Standard Global Mask (CAN_SGMSK) Register12-18
12-10	CAN Extended Global Mask (CAN_EGMSK) Register12-19

FIGURES

Figure	Page
12-11	CAN Message 15 Mask (CAN_MSK15) Register..... 12-20
12-12	CAN Message Object x Configuration (CAN_MSGxCFG) Register..... 12-21
12-13	CAN Message Object x Identifier (CAN_MSGxID0–3) Register 12-22
12-14	CAN Message Object x Control 0 (CAN_MSGxCON0) Register 12-24
12-15	CAN Message Object x Control 1 (CAN_MSGxCON1) Register 12-26
12-16	CAN Message Object Data (CAN_MSGxDATA0–7) Registers..... 12-28
12-17	CAN Control (CAN_CON) Register 12-29
12-18	CAN Message Object x Control 0 (CAN_MSGxCON0) Register 12-31
12-19	CAN Interrupt Pending (CAN_INT) Register 12-32
12-20	CAN Status (CAN_STAT) Register 12-33
12-21	CAN Message Object x Control 0 (CAN_MSGxCON0) Register 12-34
12-22	Receiving a Message for Message Objects 1–14 — CPU Flow 12-36
12-23	Receiving a Message for Message Object 15 — CPU Flow 12-37
12-24	Receiving a Message — CAN Controller Flow 12-38
12-25	Transmitting a Message — CPU Flow 12-39
12-26	Transmitting a Message — CAN Controller Flow..... 12-40
13-1	Minimum Hardware Connections 13-3
13-2	Power and Return Connections 13-4
13-3	On-chip Oscillator Circuit..... 13-6
13-4	External Crystal Connections 13-7
13-5	External Clock Connections 13-8
13-6	External Clock Drive Waveforms..... 13-8
13-7	Reset Timing Sequence 13-9
13-8	Internal Reset Circuitry 13-10
13-9	Minimum Reset Circuit 13-11
13-10	Example System Reset Circuit 13-11
14-1	Clock Control During Power-saving Modes..... 14-3
14-2	Power-up and Powerdown Sequence When Using an External Interrupt..... 14-6
14-3	External RC Circuit..... 14-7
14-4	Typical Voltage on the V _{PP} Pin While Exiting Powerdown..... 14-8
15-1	Chip Configuration 0 (CCR0) Register 15-5
15-2	Chip Configuration 1 (CCR1) Register 15-7
15-3	Multiplexing and Bus Width Options..... 15-9
15-4	BUSWIDTH Timing Diagram..... 15-10
15-5	Timings for 16-bit Buses..... 15-12
15-6	Timings for 8-bit Buses..... 15-14
15-7	READY Timing Diagram..... 15-16
15-8	HOLD#, HLDA# Timing 15-17
15-9	Standard Bus Control 15-21
15-10	Decoding WRL# and WRH#..... 15-21
15-11	8-bit System with Flash and RAM 15-22
15-12	16-bit System with Dynamic Bus Width..... 15-23
15-13	Write Strobe Mode 15-24
15-14	16-bit System with Single-byte Writes to RAM 15-25

FIGURES

Figure		Page
15-15	Address Valid Strobe Mode.....	15-26
15-16	Comparison of ALE and ADV# Bus Cycles.....	15-26
15-17	8-bit System with Flash.....	15-27
15-18	16-bit System with EPROM.....	15-28
15-19	Timings of Address Valid with Write Strobe Mode.....	15-29
15-20	16-bit System with RAM.....	15-30
15-21	Modes 0, 1, 2, and 3 Timings.....	15-31
15-22	Mode 1 System Bus Timing.....	15-33
15-23	Mode 2 System Bus Timing.....	15-35
15-24	System Bus Timing.....	15-36
16-1	Unerasable PROM (USFR) Register.....	16-7
16-2	Programming Pulse Width Register (PPW or SP_PPW).....	16-9
16-3	Modified Quick-pulse Algorithm.....	16-10
16-4	Pin Functions in Programming Modes.....	16-11
16-5	Slave Programming Circuit.....	16-17
16-6	Chip Configuration Registers (CCRs).....	16-19
16-7	Address/Command Decoding Routine.....	16-21
16-8	Program Word Routine.....	16-22
16-9	Program Word Waveform.....	16-23
16-10	Dump Word Routine.....	16-24
16-11	Dump Word Waveform.....	16-25
16-12	Auto Programming Circuit for 8XC196Kx Devices.....	16-27
16-13	Auto Programming Routine.....	16-29
16-14	Serial Port Programming Mode Circuit.....	16-33
16-15	Run-time Programming Code Example.....	16-45
B-1	8XC196Kx 68-lead PLCC Package.....	B-3
B-2	8XC196Jx 52-lead PLCC Package.....	B-5
B-3	87C196CA 68-lead PLCC Package.....	B-7

TABLES

Table	Page
1-1 Handbooks and Product Information	1-6
1-2 Application Notes, Application Briefs, and Article Reprints	1-6
1-3 MCS [®] 96 Microcontroller Datasheets (Commercial/Express)	1-7
1-4 MCS [®] 96 Microcontroller Datasheets (Automotive)	1-7
1-5 MCS [®] 96 Microcontroller Quick References	1-7
2-1 Features of the 8XC196Kx, Jx, CA Product Family.....	2-2
2-2 State Times at Various Frequencies	2-8
2-3 Unsupported Functions in 87C196CA Devices	2-13
2-4 Unsupported Functions in 8XC196Jx Devices	2-14
3-1 Operand Type Definitions.....	3-1
3-2 Equivalent Operand Types for Assembly and C Programming Languages	3-2
3-3 Definition of Temporary Registers	3-6
4-1 Memory Map	4-2
4-2 Special-purpose Memory Addresses.....	4-3
4-3 Memory-mapped SFRs	4-5
4-4 Peripheral SFRs	4-7
4-5 CAN Peripheral SFRs — 8XC196CA Only.....	4-8
4-6 Register File Memory Addresses	4-11
4-7 CPU SFRs.....	4-13
4-8 Selecting a Window of Peripheral SFRs.....	4-16
4-9 Selecting a Window of the Upper Register File.....	4-16
4-10 Selecting a Window of Upper Register RAM — 8XC196JV Only.....	4-17
4-11 Windows.....	4-18
4-12 Windowed Base Addresses	4-20
5-1 Interrupt Signals	5-3
5-2 Interrupt and PTS Control and Status Registers	5-3
5-3 Interrupt Sources, Vectors, and Priorities.....	5-5
5-4 Execution Times for PTS Cycles.....	5-10
5-5 Single Transfer Mode PTSCB	5-24
5-6 Block Transfer Mode PTSCB	5-24
5-7 A/D Scan Mode Command/Data Table	5-28
5-8 Command/Data Table (Example 1)	5-30
5-9 A/D Scan Mode PTSCB (Example 1)	5-30
5-10 Command/Data Table (Example 2)	5-30
5-11 A/D Scan Mode PTSCB (Example 2)	5-31
5-12 Comparison of PWM Modes.....	5-31
5-13 PWM Toggle Mode PTSCB.....	5-33
5-14 PWM Remap Mode PTSCB	5-38
6-1 Device I/O Ports	6-1
6-2 Standard Input-only Port Pins	6-2
6-3 Input-only Port Registers.....	6-2
6-4 Bidirectional Port Pins	6-4
6-5 Bidirectional Port Control and Status Registers	6-5
6-6 Logic Table for Bidirectional Ports in I/O Mode	6-9

TABLES

Table	Page
6-7	Logic Table for Bidirectional Ports in Special-function Mode 6-9
6-8	Control Register Values for Each Configuration..... 6-11
6-9	Port Configuration Example 6-11
6-10	Port Pin States After Reset and After Example Code Execution..... 6-12
6-11	Ports 3 and 4 Pins 6-16
6-12	Ports 3 and 4 Control and Status Registers 6-16
6-13	Logic Table for Ports 3 and 4 as I/O..... 6-18
7-1	Serial Port Signals 7-2
7-2	Serial Port Control and Status Registers..... 7-2
7-3	SP_BAUD Values When Using XTAL1 at 16 MHz..... 7-12
8-1	SSIO Port Signals 8-2
8-2	SSIO Port Control and Status Registers 8-2
8-3	Common SSIO_BAUD Values at 16 MHz..... 8-9
9-1	Slave Port Signals 9-4
9-2	Slave Port Control and Status Registers 9-4
9-3	Master and Slave Interconnections 9-6
10-1	EPA Channels 10-1
10-2	EPA and Timer/Counter Signals..... 10-3
10-3	EPA Control and Status Registers 10-3
10-4	Quadrature Mode Truth Table 10-8
10-5	Action Taken when a Valid Edge Occurs 10-12
10-6	Example Control Register Settings and EPA Operations..... 10-20
10-7	EPAIPV Interrupt Priority Values 10-30
11-1	A/D Converter Pins 11-2
11-2	A/D Control and Status Registers..... 11-2
12-1	CAN Controller Signals..... 12-3
12-2	Control and Status Registers 12-3
12-3	CAN Controller Address Map 12-5
12-4	Message Object Structure 12-6
12-5	Effect of Masking on Message Identifiers..... 12-7
12-6	Standard Message Frame 12-8
12-7	Extended Message Frame 12-8
12-8	CAN Protocol Bit Time Segments 12-10
12-9	CAN Controller Bit Time Segments 12-11
12-10	Bit Timing Relationships 12-12
12-11	Bit Timing Requirements for Synchronization 12-17
12-12	Control Register Bit-pair Interpretation 12-23
12-13	Cross-reference for Register Bits Shown in Flowcharts 12-35
12-14	Register Values Following Reset..... 12-41
13-1	Minimum Required Signals..... 13-1
13-2	I/O Port Configuration Guide 13-2
14-1	Operating Mode Control Signals 14-1
14-2	Operating Mode Control and Status Registers..... 14-2
14-3	ONCE# Pin Alternate Functions 14-9

TABLES

Table	Page
14-4	Test-mode-entry Pins 14-10
15-1	External Memory Interface Signals..... 15-1
15-2	READY Signal Timing Definitions..... 15-16
15-3	HOLD#, HLDA# Timing Definitions 15-18
15-4	Maximum Hold Latency 15-19
15-5	Bus-control Mode 15-20
15-6	Modes 0, 1, 2, and 3 Timing Comparisons..... 15-32
15-7	AC Timing Symbol Definitions 15-37
15-8	AC Timing Definitions 15-37
16-1	OTPROM Sizes for 87C196Kx, Jx, CA Devices..... 16-1
16-2	87C196Kx OTPROM Memory Map..... 16-3
16-3	Memory Protection for Normal Operating Mode..... 16-4
16-4	Memory Protection Options for Programming Modes 16-5
16-5	UPROM Programming Values and Locations for Slave Mode 16-8
16-6	Pin Descriptions 16-11
16-7	Pmode Values 16-14
16-8	Device Signature Word and Programming Voltages 16-16
16-9	Slave Programming Mode Memory Map..... 16-18
16-10	Timing Mnemonics 16-25
16-11	Auto Programming Memory Map..... 16-28
16-12	Serial Port Programming Mode Memory Map 16-34
16-13	Serial Port Programming Default Values and Locations 16-35
16-14	User Program Register Values and Test ROM Locations 16-35
16-15	RISM Command Descriptions 16-36
A-1	Opcode Map (Left Half) A-2
A-1	Opcode Map (Right Half)..... A-3
A-2	Processor Status Word (PSW) Flags A-4
A-3	Effect of PSW Flags or Specified Bits on Conditional Jump Instructions A-5
A-4	PSW Flag Setting Symbols A-5
A-5	Operand Variables A-6
A-6	Instruction Set A-7
A-7	Instruction Opcodes A-42
A-8	Instruction Lengths and Hexadecimal Opcodes A-48
A-9	Instruction Execution Times (in State Times) A-54
B-1	Signal Name Changes B-1
B-2	8XC196Kx Signals Arranged by Functional Categories B-2
B-3	8XC196Jx Signals Arranged by Functional Categories..... B-4
B-4	87C196CA Signals Arranged by Functional Categories..... B-6
B-5	Description of Columns of Table B-6..... B-8
B-6	Signal Descriptions B-8
B-7	Definition of Status Symbols B-19
B-8	8XC196Kx Pin Status..... B-20
B-9	8XC196Jx Pin Status B-21
B-10	87C196CA Pin Status B-22

TABLES

Table		Page
C-1	Modules and Related Registers	C-1
C-2	Register Name, Address, and Reset Status.....	C-2
C-3	CAN_EGMSK Addresses and Reset Values.....	C-15
C-4	CAN_MSGxCFG Addresses and Reset Values.....	C-17
C-5	CAN_MSGxCON0 Addresses and Reset Values.....	C-19
C-6	CAN_MSGxCON1 Addresses and Reset Values.....	C-21
C-7	CAN_MSGxDATA0–7 Addresses	C-23
C-8	CAN_MSGxID0–3 Addresses	C-25
C-9	CAN_MSK15 Addresses and Reset Values.....	C-26
C-10	COMPx_CON Addresses and Reset Values.....	C-34
C-11	COMPx_TIME Addresses and Reset Values.....	C-35
C-12	EPAx_CON Addresses and Reset Values	C-43
C-13	EPAx_TIME Addresses and Reset Values.....	C-44
C-14	EPA Interrupt Priority Vectors.....	C-45
C-15	Px_DIR Addresses and Reset Values.....	C-51
C-16	Px_MODE Addresses and Reset Values	C-52
C-17	Special-function Signals for Ports 1, 2, 5, 6.....	C-53
C-18	Px_PIN Addresses and Reset Values.....	C-54
C-19	Px_REG Addresses and Reset Values	C-55
C-20	Common SSIO_BAUD Values at 16 MHz.....	C-71
C-21	SSIOx_BUF Addresses and Reset Values.....	C-72
C-22	SSIOx_CON Addresses and Reset Values.....	C-74
C-23	TIMERx Addresses and Reset Values	C-77
C-24	WSR Settings and Direct Addresses for Windowable SFRs.....	C-80



1

Guide to This Manual



CHAPTER 1

GUIDE TO THIS MANUAL

This manual describes the 8XC196Kx, Jx, CA family of embedded microcontrollers. It is intended for use by both software and hardware designers familiar with the principles of microcontrollers. This chapter describes what you'll find in this manual, lists other documents that may be useful, and explains how to access the support services we provide to help you complete your design.

1.1 MANUAL CONTENTS

This manual contains several chapters and appendixes, a glossary, and an index. This chapter, Chapter 1, provides an overview of the manual. This section summarizes the contents of the remaining chapters and appendixes. The remainder of this chapter describes notational conventions and terminology used throughout the manual, provides references to related documentation, describes customer support services, and explains how to access information and assistance.

Chapter 2 — Architectural Overview — provides an overview of the device hardware. It describes the core, internal timing, internal peripherals, and special operating modes.

Chapter 3 — Programming Considerations — provides an overview of the instruction set, describes general standards and conventions, and defines the operand types and addressing modes supported by the MCS[®] 96 microcontroller family. (For additional information about the instruction set, see Appendix A.)

Chapter 4 — Memory Partitions — describes the addressable memory space of the device. It describes the memory partitions, explains how to use windows to increase the amount of memory that can be accessed with register-direct (8-bit) instructions, and provides examples of memory configurations.

Chapter 5 — Standard and PTS Interrupts — describes the interrupt control circuitry, priority scheme, and timing for standard and peripheral transaction server (PTS) interrupts. It also explains interrupt programming and control.

Chapter 6 — I/O Ports — describes the input/output ports and explains how to configure the ports for input, output, or special functions.

Chapter 7 — Serial I/O (SIO) Port — describes the asynchronous/synchronous serial I/O (SIO) port and explains how to program it.

Chapter 8 — Synchronous Serial I/O (SSIO) Port — describes the synchronous serial I/O (SSIO) port and explains how to program it.

Chapter 9 — Slave Port — describes the slave port of the 8XC196Kx and explains how to program it. Chapter 6, “I/O Ports,” explains how to configure port 3 to serve as the slave port. This chapter discusses additional configurations specific to the slave port function and describes how to use the slave port for interprocessor communication.

Chapter 10 — Event Processor Array (EPA) — describes the event processor array, a timer/counter-based, high-speed input/output unit. It describes the timer/counters and explains how to program the EPA and how to use the EPA to produce pulse-width modulated (PWM) outputs.

Chapter 11 — Analog-to-digital Converter — provides an overview of the analog-to-digital (A/D) converter and describes how to program the converter, read the conversion results, and interface with external circuitry.

Chapter 12 — CAN Serial Communications Controller — describes the 8XC196CA's integrated CAN controller and explains how to configure it. This integrated peripheral is similar to Intel's standalone 82527 CAN serial communications controller, supporting both the standard and extended message frames specified by the CAN 2.0 protocol parts A and B.

Chapter 13 — Minimum Hardware Considerations — describes options for providing the basic requirements for device operation within a system, discusses other hardware considerations, and describes device reset options.

Chapter 14 — Special Operating Modes — provides an overview of the idle, powerdown, and on-circuit emulation (ONCE) modes and describes how to enter and exit each mode.

Chapter 15 — Interfacing with External Memory — lists the external memory signals and describes the registers that control the external memory interface. It discusses the bus width and memory configurations, the bus-hold protocol, write-control modes, and internal wait states and ready control. Finally, it provides timing information for the system bus.

Chapter 16 — Programming the Nonvolatile Memory — provides recommended circuits, the corresponding memory maps, and flow diagrams. It also provides procedures for auto programming, and describes the commands used for serial port programming.

Appendix A — Instruction Set Reference — provides reference information for the instruction set. It describes each instruction; defines the program status word (PSW) flags; shows the relationships between instructions and PSW flags; and lists hexadecimal opcodes, instruction lengths, and execution times. (For additional information about the instruction set, see Chapter 3, “Programming Considerations.”)

Appendix B — Signal Descriptions — provides reference information for the device pins, including descriptions of the pin functions, reset status of the I/O and control pins, and package pin assignments.

Appendix C — Registers — provides a compilation of all device registers arranged alphabetically by register mnemonic. It also includes tables that list the windowed direct addresses for all SFRs in each possible window.

Glossary — defines terms with special meaning used throughout this manual.

Index — lists key topics with page number references.

1.2 NOTATIONAL CONVENTIONS AND TERMINOLOGY

The following notations and terminology are used throughout this manual. The Glossary defines other terms with special meanings.

The pound symbol (#) has either of two meanings, depending on the context. When used with a signal name, the symbol means that the signal is active low. When used in an instruction, the symbol prefixes an immediate value in immediate addressing mode.

Assert and Deassert The terms *assert* and *deassert* refer to the act of making a signal active (enabled) and inactive (disabled), respectively. The active polarity (high/low) is defined by the signal name. Active-low signals are designated by a pound symbol (#) suffix; active-high signals have no suffix. To assert RD# is to drive it low; to assert ALE is to drive it high; to deassert RD# is to drive it high; to deassert ALE is to drive it low.

Clear and Set The terms *clear* and *set* refer to the value of a bit or the act of giving it a value. If a bit is clear, its value is “0”; clearing a bit gives it a “0” value. If a bit is set, its value is “1”; setting a bit gives it a “1” value.

Instructions Instruction mnemonics are shown in upper case to avoid confusion. You may use either upper case or lower case.

italics Italics identify variables and introduce new terminology. The context in which italics are used distinguishes between the two possible meanings.

Variables in registers and signal names are commonly represented by x and y , where x represents the first variable and y represents the second variable. For example, in register P x _MODE. y , x represents the variable that identifies the specific port, and y represents the register bit variable [7:0]. Variables must be replaced with the correct values when configuring or programming registers or identifying signals.

Numbers	Hexadecimal numbers are represented by a string of hexadecimal digits followed by the character <i>H</i> . Decimal and binary numbers are represented by their customary notations. (That is, 255 is a decimal number and 1111 1111 is a binary number. In some cases, the letter <i>B</i> is appended to binary numbers for clarity.)
Register Bits	Bit locations are indexed by 7:0 (or 15:0), where bit 0 is the least-significant bit and bit 7 (or 15) is the most-significant bit. An individual bit is represented by the register name, followed by a period and the bit number. For example, WSR.7 is bit 7 of the window selection register. In some discussions, bit names are used.
Register Names	Register mnemonics are shown in upper case. For example, TIMER2 is the timer 2 register; timer 2 is the timer. A register name containing a lowercase italic character represents more than one register. For example, the <i>x</i> in Px_REG indicates that the register name refers to any of the port data registers.
Reserved Bits	Certain bits are described as <i>reserved</i> bits. In illustrations, reserved bits are indicated with a dash (—). These bits are not used in this device, but they may be used in future implementations. To help ensure that a current software design is compatible with future implementations, reserved bits should be cleared (given a value of “0”) or left in their default states, unless otherwise noted.
Signal Names	Signal names are shown in upper case. When several signals share a common name, an individual signal is represented by the signal name followed by a number. For example, the EPA signals are named EPA0, EPA1, EPA2, etc. Port pins are represented by the port abbreviation, a period, and the pin number (e.g., P1.0, P1.1). A pound symbol (#) appended to a signal name identifies an active-low signal.

Units of Measure

The following abbreviations are used to represent units of measure:

A	amps, amperes
DCV	direct current volts
Kbytes	kilobytes
K Ω	kilo-ohms
mA	milliamps, milliamperes
Mbytes	megabytes
MHz	megahertz
ms	milliseconds
mW	milliwatts
ns	nanoseconds
pF	picofarads
W	watts
V	volts
μ A	microamps, microamperes
μ F	microfarads
μ s	microseconds
μ W	microwatts

X Uppercase X (no italics) represents an unknown value or an immaterial (“don’t care”) state or condition. The value may be either binary or hexadecimal, depending on the context. For example, 2XAFH (hex) indicates that bits 11:8 are unknown; 10XX in binary context indicates that the two LSBs are unknown.

1.3 RELATED DOCUMENTS

The tables in this section list additional documents that you may find useful in designing systems incorporating MCS 96 microcontrollers. These are not comprehensive lists, but are a representative sample of relevant documents. For a complete list of available printed documents, please order the literature catalog (order number 210621). To order documents, please call the Intel literature center for your area (telephone numbers are listed on page 1-11).

Intel’s *Ap*BUILDER software, hypertext manuals and datasheets, and electronic versions of application notes and code examples are also available from the BBS (see “Bulletin Board System (BBS)” on page 1-9). New information is available first from FaxBack and the BBS. Refer to “Electronic Support Systems” on page 1-8 for details.

Table 1-1. Handbooks and Product Information

Title and Description	Order Number
<i>Intel Embedded Quick Reference Guide</i>	272439
<i>Solutions for Embedded Applications Guide</i>	240691
<i>Data on Demand</i> fact sheet	240952
<i>Data on Demand</i> annual subscription (6 issues; Windows* version) Complete set of Intel handbooks on CD-ROM.	240897
<i>Handbook Set</i> — handbooks and product overview Complete set of Intel's product line handbooks. Contains datasheets, application notes, article reprints and other design information on microprocessors, peripherals, embedded controllers, memory components, single-board computers, microcommunications, software development tools, and operating systems.	231003
<i>Automotive Products</i> † Application notes and article reprints on topics including the MCS 51 and MCS 96 microcontrollers. Documents in this handbook discuss hardware and software implementations and present helpful design techniques.	231792
<i>Embedded Applications</i> handbook (2 volume set) † Data sheets, architecture descriptions, and application notes on topics including flash memory devices, networking chips, and MCS 51 and MCS 96 microcontrollers. Documents in this handbook discuss hardware and software implementations and present helpful design techniques.	270648
<i>Embedded Microcontrollers</i> † Data sheets and architecture descriptions for Intel's three industry-standard microcontrollers, the MCS® 48, MCS 51, and MCS 96 microcontrollers.	270646
<i>Peripheral Components</i> † Comprehensive information on Intel's peripheral components, including datasheets, application notes, and technical briefs.	296467
<i>Flash Memory</i> (2 volume set) † A collection of data sheets and application notes devoted to techniques and information to help design semiconductor memory into an application or system.	210830
<i>Packaging</i> † Detailed information on the manufacturing, applications, and attributes of a variety of semiconductor packages.	240800
<i>Development Tools Handbook</i> Information on third-party hardware and software tools that support Intel's embedded microcontrollers.	272326

† Included in handbook set (order number 231003)

Table 1-2. Application Notes, Application Briefs, and Article Reprints

Title	Order Number
AB-71, <i>Using the SIO on the 8XC196MH</i> (application brief)	272594
AP-125, <i>Design Microcontroller Systems for Electrically Noisy Environments</i> †††	210313
AP-155, <i>Oscillators for Microcontrollers</i> †††	230659
AR-375, <i>Motor Controllers Take the Single-Chip Route</i> (article reprint)	270056
AP-406, <i>MCS® 96 Analog Acquisition Primer</i> †††	270365
AP-445, <i>8XC196KR Peripherals: A User's Point of View</i> †	270873

† Included in *Automotive Products* handbook (order number 231792)

†† Included in *Embedded Applications* handbook (order number 270648)

††† Included in *Automotive Products* and *Embedded Applications* handbooks

Table 1-2. Application Notes, Application Briefs, and Article Reprints (Continued)

Title	Order Number
AP-449, <i>A Comparison of the Event Processor Array (EPA) and High Speed Input/Output (HSIO) Unit</i> †	270968
AP-475, <i>Using the 8XC196NT</i> ††	272315
AP-477, <i>Low Voltage Embedded Design</i> ††	272324
AP-483, <i>Application Examples Using the 8XC196MC/MD Microcontroller</i>	272282
AP-700, <i>Intel Fuzzy Logic Tool Simplifies ABS Design</i> †	272595
AP-711, <i>EMI Design Techniques for Microcontrollers in Automotive Applications</i>	272324
AP-715, <i>Interfacing an I²C Serial EEPROM to an MCS[®] 96 Microcontroller</i>	272680

† Included in *Automotive Products* handbook (order number 231792)

†† Included in *Embedded Applications* handbook (order number 270648)

††† Included in *Automotive Products* and *Embedded Applications* handbooks

Table 1-3. MCS[®] 96 Microcontroller Datasheets (Commercial/Express)

Title	Order Number
8XC196KR/KQ/JR/JQ <i>Commercial/Express CHMOS Microcontroller</i> †	270912
8XC196KT <i>Commercial CHMOS Microcontroller</i> †	272266
87C196KT/87C196KS <i>20 MHz Advanced 16-Bit CHMOS Microcontroller</i> †	272513
8XC196MC <i>Industrial Motor Control Microcontroller</i> †	272323
87C196MD <i>Industrial Motor Control CHMOS Microcontroller</i> †	270946
8XC196NP <i>Commercial CHMOS 16-Bit Microcontroller</i> †	272459
8XC196NT <i>CHMOS Microcontroller with 1-Mbyte Linear Address Space</i> †	272267

† Included in *Embedded Microcontrollers* handbook (order number 270646)

Table 1-4. MCS[®] 96 Microcontroller Datasheets (Automotive)

Title and Description	Order Number
87C196CA/87C196CB <i>20 MHz Advanced 16-Bit CHMOS Microcontroller with Integrated CAN 2.0</i> †	272405
87C196JT <i>20 MHz Advanced 16-Bit CHMOS Microcontroller</i> †	272529
87C196JV <i>20 MHz Advanced 16-Bit CHMOS Microcontroller</i> †	272580
87C196KR/KQ, 87C196JV/JT, 87C196JR/JQ <i>Advanced 16-Bit CHMOS Microcontroller</i> †	270827
87C196KT/87C196KS <i>Advanced 16-Bit CHMOS Microcontroller</i> †	270999
87C196KT/KS <i>20 MHz Advanced 16-Bit CHMOS Microcontroller</i> †	272513

† Included in *Automotive Products* handbook (order number 231792)

Table 1-5. MCS[®] 96 Microcontroller Quick References

Title and Description	Order Number
8XC196KR <i>Quick Reference</i> (includes the JQ, JR, KQ, KR)	272113
8XC196KT <i>Quick Reference</i>	272269
8XC196MC <i>Quick Reference</i>	272114
8XC196NP <i>Quick Reference</i>	272466
8XC196NT <i>Quick Reference</i>	272270

1.4 ELECTRONIC SUPPORT SYSTEMS

Intel's FaxBack* service and application BBS provide up-to-date technical information. We also maintain several forums on CompuServe and offer a variety of information on the World Wide Web. These systems are available 24 hours a day, 7 days a week, providing technical information whenever you need it.

1.4.1 FaxBack Service

FaxBack is an on-demand publishing system that sends documents to your fax machine. You can get product announcements, change notifications, product literature, device characteristics, design recommendations, and quality and reliability information from FaxBack 24 hours a day, 7 days a week.

1-800-628-2283	U.S. and Canada
916-356-3105	U.S., Canada, Japan, APac
44(0)1793-496646	Europe

Think of the FaxBack service as a library of technical documents that you can access with your phone. Just dial the telephone number and respond to the system prompts. After you select a document, the system sends a copy to your fax machine.

Each document is assigned an order number and is listed in a subject catalog. The first time you use FaxBack, you should order the appropriate subject catalogs to get a complete listing of document order numbers. Catalogs are updated twice monthly, so call for the latest information. The following catalogs and information are available at the time of publication:

1. *Solutions OEM* subscription form
2. Microcontroller and flash catalog
3. Development tools catalog
4. Systems catalog
5. Multimedia catalog
6. Multibus and iRMX[®] software catalog and BBS file listings
7. Microprocessor, PCI, and peripheral catalog
8. Quality and reliability and change notification catalog
9. iAL (Intel Architecture Labs) technology catalog

1.4.2 Bulletin Board System (BBS)

The bulletin board system (BBS) lets you download files to your computer. The application BBS has the latest *ApBUILDER* software, hypertext manuals and datasheets, software drivers, firm-ware upgrades, application notes and utilities, and quality and reliability data.

916-356-3600	U.S., Canada, Japan, APac (up to 19.2 Kbaud)
916-356-7209	U.S., Canada, Japan, APac (2400 baud only)
44(0)1793-496340	Europe

The toll-free BBS (available in the U.S. and Canada) offers lists of documents available from FaxBack, a master list of files available from the application BBS, and a BBS user's guide. The BBS file listing is also available from FaxBack (catalog number 6; see page 1-8 for phone numbers and a description of the FaxBack service).

1-800-897-2536	U.S. and Canada only
----------------	----------------------

Any customer with a modem and computer can access the BBS. The system provides automatic configuration support for 1200- through 19200-baud modems. Typical modem settings are 14400 baud, no parity, 8 data bits, and 1 stop bit (14400, N, 8, 1).

To access the BBS, just dial the telephone number and respond to the system prompts. During your first session, the system asks you to register with the system operator by entering your name and location. The system operator will set up your access account within 24 hours. At that time, you can access the files on the BBS.

NOTE

If you encounter any difficulty accessing the high-speed modem, try the dedicated 2400-baud modem. Use these modem settings: 2400, N, 8, 1.

1.4.2.1 How to Find MCS® 96 Microcontroller Files on the BBS

Application notes, utilities, and product literature are available from the BBS. To access the files, complete these steps:

1. Enter **F** from the BBS Main menu. The BBS displays the Intel Apps Files menu.
2. Type **L** and press <Enter>. The BBS displays the list of areas and prompts for the area number.
3. Type **12** and press <Enter> to select MCS 96 Family. The BBS displays a list of subject areas including general and product-specific subjects.
4. Type the number that corresponds to the subject of interest and press <Enter> to list the latest files.

5. Type the file numbers to select the files you wish to download (for example, **1,6** for files 1 and 6 or **3-7** for files 3, 4, 5, 6, and 7) and press <Enter>. The BBS displays the approximate time required to download the files you have selected and gives you the option to download them.

1.4.2.2 How to Find *Ap*BUILDER Software and Hypertext Documents on the BBS

The latest *Ap*BUILDER files and hypertext manuals and data sheets are available first from the BBS. To access the files, complete these steps:

1. Type **F** from the BBS Main menu. The BBS displays the Intel Apps Files menu.
2. Type **L** and press <Enter>. The BBS displays the list of areas and prompts for the area number.
3. Type **25** and press <Enter> to select *Ap*BUILDER/Hypertext. The BBS displays several options: one for *Ap*BUILDER software and the others for hypertext documents for specific product families.
4. Type **1** and press <Enter> to list the latest *Ap*BUILDER files or type **2** and press <Enter> to list the hypertext manuals and datasheets for MCS 96 microcontrollers.
5. Type the file numbers to select the files you wish to download (for example, **1,6** for files 1 and 6 or **3-7** for files 3, 4, 5, 6, and 7) and press <Enter>. The BBS displays the approximate time required to download the selected files and gives you the option to download them.

1.4.3 CompuServe Forums

The CompuServe forums provide a means for you to gather information, share discoveries, and debate issues. Type “go intel” for access. For information about CompuServe access and service fees, call CompuServe at 1-800-848-8199 (U.S.) or 614-529-1340 (outside the U.S.).

1.4.4 World Wide Web

We offer a variety of information through the World Wide Web (URL:<http://www.intel.com/>). Select “Embedded Design Products” from the Intel home page.

1.5 TECHNICAL SUPPORT

In the U.S. and Canada, technical support representatives are available to answer your questions between 5 a.m. and 5 p.m. PST. You can also fax your questions to us. (Please include your voice telephone number and indicate whether you prefer a response by phone or by fax). Outside the U.S. and Canada, please contact your local distributor.

1-800-628-8686	U.S. and Canada
916-356-7599	U.S. and Canada
916-356-6100 (fax)	U.S. and Canada

1.6 PRODUCT LITERATURE

You can order product literature from the following Intel literature centers.

1-800-468-8118, ext. 283	U.S. and Canada
708-296-9333	U.S. (from overseas)
44(0)1793-431155	Europe (U.K.)
44(0)1793-421333	Germany
44(0)1793-421777	France
81(0)120-47-88-32	Japan (fax only)

1.7 TRAINING CLASSES

In the U.S. and Canada, you can register for training classes through the Intel customer training center. Classes are held in the U.S.

1-800-234-8806	U.S. and Canada
----------------	-----------------



2

Architectural Overview



CHAPTER 2 ARCHITECTURAL OVERVIEW

The 16-bit 8XC196Kx, 8XC196Jx, and 87C196CA CHMOS microcontrollers are designed to handle high-speed calculations and fast input/output (I/O) operations. They share a common architecture and instruction set with other members of the MCS[®] 96 microcontroller family. This chapter provides a high-level overview of the architecture.

NOTE

This manual describes a family of devices. For brevity, the name 8XC196Kx is used when the discussion applies to all family members. When information applies to specific devices, individual product names are used.

2.1 TYPICAL APPLICATIONS

MCS 96 microcontrollers are typically used for high-speed event control systems. Commercial applications include modems, motor-control systems, printers, photocopiers, air conditioner control systems, disk drives, and medical instruments. Automotive customers use MCS 96 microcontrollers in engine-control systems, airbags, suspension systems, and antilock braking systems (ABS).

2.2 DEVICE FEATURES

Table 2-1 lists the features of each member of the 8XC196Kx family.

Table 2-1. Features of the 8XC196Kx, Jx, CA Product Family

Device	Pins	OTPROM/ EPROM/ ROM (1)	Register RAM (2)	Code/ Data RAM	I/O Pins	EPA Pins	SIO/ SSIO Ports	A/D Channels	External Interrupt Pins
8XC196JV (3)	52	48 K	1536	512	56	6	3	6	1
8XC196KT	68	32 K	1024	512	56	10	3	8	2
8XC196JT (3)	52	32 K	1024	512	41	6	3	6	1
87C196CA (4)	68	32 K	1024	256	51	6	3	6	2
8XC196KS (3)	68	24 K	1024	256	56	10	3	8	2
8XC196KR	68	16 K	512	256	56	10	3	8	2
8XC196JR	52	16 K	512	256	41	6	3	6	1
8XC196KQ	68	12 K	384	128	56	10	3	8	2
8XC196JQ	52	12 K	384	128	41	6	3	6	1

NOTES:

- Optional. The second character of the device name indicates the presence and type of nonvolatile memory. 80C196xx = none; 83C196xx = ROM; 87C196xx = OTPROM or EPROM.
- Register RAM amounts include the 24 bytes allocated to core SFRs and the stack pointer.
- The 8XC196JT, JV, and KS are offered in automotive temperature ranges only. The 87C196CA, 8XC196JQ, JR, KQ, KR, and KT are offered in both automotive and commercial temperature ranges.
- The 87C196CA also has an on-chip networking peripheral that supports CAN specification 2.0.

2.3 BLOCK DIAGRAM

Figure 2-1 shows the major blocks within the device. The core of the device (Figure 2-2) consists of the central processing unit (CPU) and memory controller. The CPU contains the register file and the register arithmetic-logic unit (RALU). The CPU connects to both the memory controller and an interrupt controller via a 16-bit internal bus. An extension of this bus connects the CPU to the internal peripheral modules. In addition, an 8-bit internal bus transfers instruction bytes from the memory controller to the instruction register in the RALU.

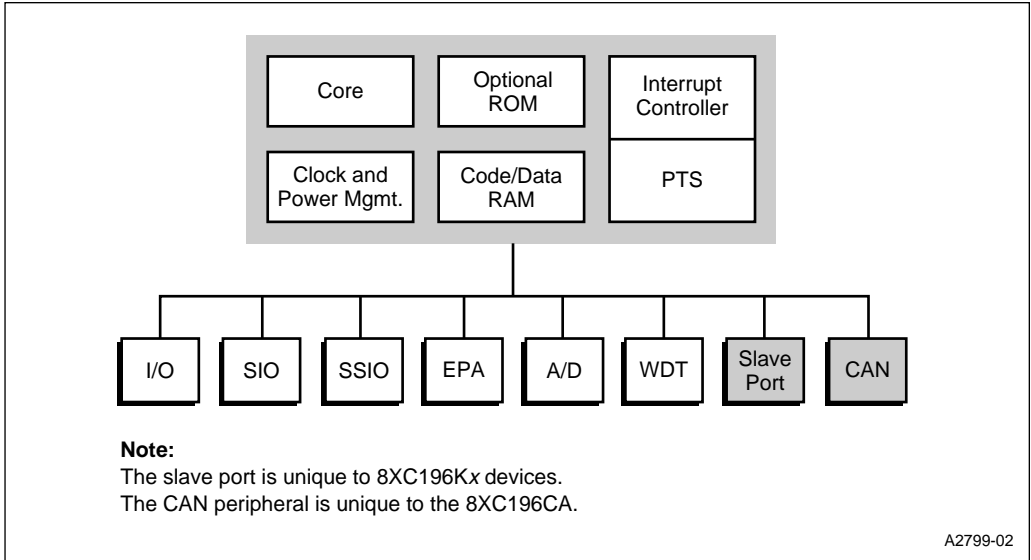


Figure 2-1. 8XC196Kx Block Diagram

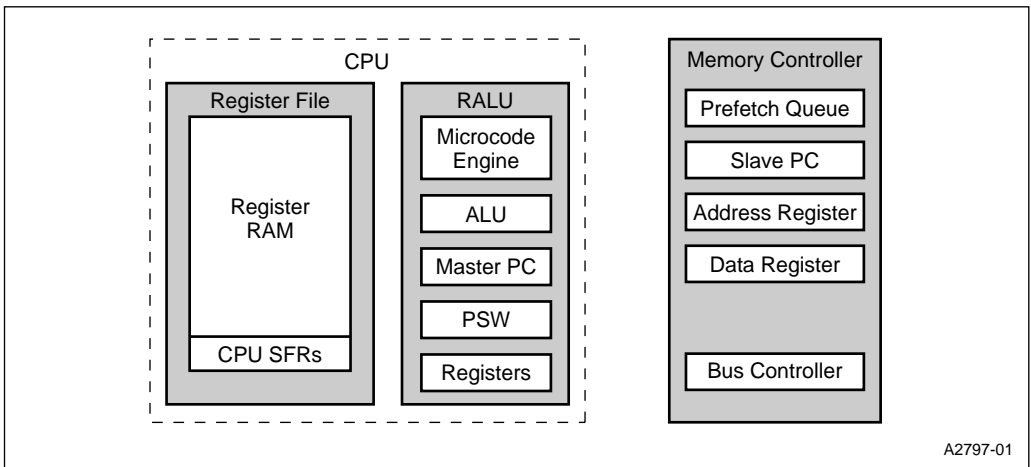


Figure 2-2. Block Diagram of the Core

2.3.1 CPU Control

The CPU is controlled by the microcode engine, which instructs the RALU to perform operations using bytes, words, or double words from either the 256-byte lower register file or through a *window* that directly accesses the upper register file. (See Chapter 4, “Memory Partitions,” for more information about the register file and windowing.) CPU instructions move from the 4-byte queue in the memory controller into the RALU’s instruction register. The microcode engine decodes the instructions and then generates the sequence of events that cause desired functions to occur.

2.3.2 Register File

The register file is divided into an upper and a lower file. In the lower register file, the lowest 24 bytes are allocated to the CPU’s special-function registers (SFRs) and the stack pointer, while the remainder is available as general-purpose register RAM. The upper register file contains only general-purpose register RAM. The register RAM can be accessed as bytes, words, or double-words.

The RALU accesses the upper and lower register files differently. The lower register file is always directly accessible with register-direct addressing (see “Addressing Modes” on page 3-5). The upper register file is accessible with register-direct addressing only when *windowing* is enabled. Windowing is a technique that maps blocks of the upper register file into a *window* in the lower register file. See Chapter 4, “Memory Partitions,” for more information about the register file and windowing.

2.3.3 Register Arithmetic-logic Unit (RALU)

The RALU contains the microcode engine, the 16-bit arithmetic logic unit (ALU), the master program counter (PC), the program status word (PSW), and several registers. The registers in the RALU are the instruction register, a constants register, a bit-select register, a loop counter, and three temporary registers (the upper-word, lower-word, and second-operand registers).

The PSW contains one bit (PSW.1) that globally enables or disables servicing of all maskable interrupts, one bit (PSW.2) that enables or disables the peripheral transaction server (PTS), and six Boolean flags that reflect the state of your program. Appendix A, “Instruction Set Reference” provides a detailed description of the PSW.

All registers, except the 3-bit bit-select register and the 6-bit loop counter, are either 16 or 17 bits (16 bits plus a sign extension). Some of these registers can reduce the ALU’s workload by performing simple operations.

The RALU uses the upper- and lower-word registers together for the 32-bit instructions and as temporary registers for many instructions. These registers have their own shift logic and are used for operations that require logical shifts, including normalize, multiply, and divide operations. The six-bit loop counter counts repetitive shifts. The second-operand register stores the second operand for two-operand instructions, including the multiplier during multiply operations and the divisor during divide operations. During subtraction operations, the output of this register is complemented before it is moved into the ALU.

The RALU speeds up calculations by storing constants (e.g., 0, 1, and 2) in the constants register so that they are readily available when complementing, incrementing, or decrementing bytes or words. In addition, the constants register generates single-bit masks, based on the bit-select register, for bit-test instructions.

2.3.3.1 Code Execution

The RALU performs most calculations for the device, but it does not use an *accumulator*. Instead it operates directly on the lower register file, which essentially provides 256 accumulators. Because data does not flow through a single accumulator, the device's code executes faster and more efficiently.

2.3.3.2 Instruction Format

MCS 96 microcontrollers combine a large set of general-purpose registers with a three-operand instruction format. This format allows a single instruction to specify two source registers and a separate destination register. For example, the following instruction multiplies two 16-bit variables and stores the 32-bit result in a third variable.

```
MUL  RESULT, FACTOR_1, FACTOR_2    ;multiply FACTOR_1 and FACTOR_2
                                       ;and store answer in RESULT
                                       ;(RESULT)←(FACTOR_1 × FACTOR_2)
```

An 80C186 device requires four instructions to accomplish the same operation. The following example shows the equivalent code for an 80C186 device.

```
MOV  AX, FACTOR_1                    ;move FACTOR_1 into accumulator (AX)
                                       ;(AX)←FACTOR1
MUL  FACTOR_2                        ;multiply FACTOR_2 and AX
                                       ;(DX:AX)←(AX)×(FACTOR_2)
MOV  RESULT, AX                      ;move lower byte into RESULT
                                       ;(RESULT)←(AX)
MOV  RESULT+2, DX                    ;move upper byte into RESULT+2
                                       ;(RESULT+2)←(DX)
```

2.3.4 Memory Controller

The RALU communicates with all memory, except the register file and peripheral SFRs, through the memory controller. (It communicates with the upper register file through the memory controller except when *windowing* is used; see Chapter 4, “Memory Partitions.”) The memory controller contains the prefetch queue, the slave program counter (slave PC), address and data registers, and the bus controller.

The bus controller drives the memory bus, which consists of an internal memory bus and the external address/data bus. The bus controller receives memory-access requests from either the RALU or the prefetch queue; queue requests always have priority. This queue is transparent to the RALU and your software.

NOTE

When using a logic analyzer to debug code, remember that instructions are preloaded into the prefetch queue and are not necessarily executed immediately after they are fetched.

When the bus controller receives a request from the queue, it fetches the code from the address contained in the slave PC. The slave PC increases execution speed because the next instruction byte is available immediately and the processor need not wait for the master PC to send the address to the memory controller. If a jump, interrupt, call, or return changes the address sequence, the master PC loads the new address into the slave PC, then the CPU flushes the queue and continues processing.

2.3.5 Interrupt Service

The device's flexible interrupt-handling system has two main components: the programmable interrupt controller and the peripheral transaction server (PTS). The programmable interrupt controller has a hardware priority scheme that can be modified by your software. Interrupts that go through the interrupt controller are serviced by interrupt service routines that you provide. The peripheral transaction server (PTS), a microcoded hardware interrupt processor, provides high-speed, low-overhead interrupt handling. You can configure most interrupts (except NMI, trap, and unimplemented opcode) to be serviced by the PTS instead of the interrupt controller.

The PTS can transfer bytes or words, either individually or in blocks, between any memory locations, manage multiple analog-to-digital (A/D) conversions, and generate pulse-width modulated (PWM) signals. PTS interrupts have a higher priority than standard interrupts and may temporarily suspend interrupt service routines. See Chapter 5, “Standard and PTS Interrupts,” for more information.

2.4 INTERNAL TIMING

The clock circuitry (Figure 2-3) receives an input clock signal on XTAL1 provided by an external crystal or oscillator and divides the frequency by two. The clock generators accept the divided input frequency from the divide-by-two circuit and produce two nonoverlapping internal timing signals, PH1 and PH2. These signals are active when high. The rising edges of PH1 and PH2 generate CLKOUT, the output of the internal clock generator (Figure 2-4). The clock circuitry routes separate internal clock signals to the CPU and the peripherals to provide flexibility in power management. (“Reducing Power Consumption” on page 14-3 describes the power management modes.) It also outputs the CLKOUT signal on the CLKOUT pin. Because of the complex logic in the clock circuitry, the signal on the CLKOUT pin is a delayed version of the internal CLKOUT signal. This delay varies with temperature and voltage.

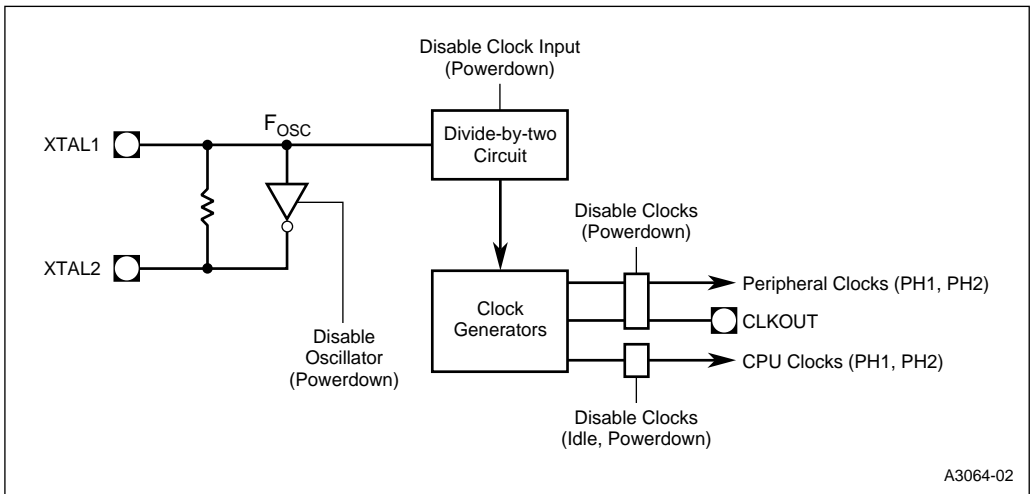


Figure 2-3. Clock Circuitry

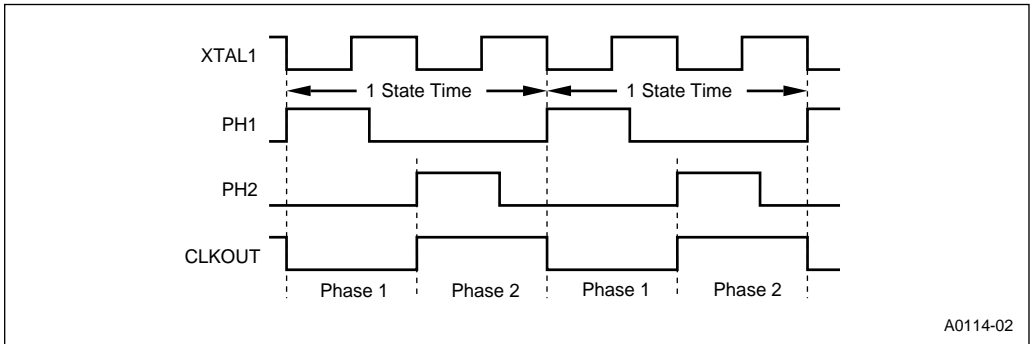


Figure 2-4. Internal Clock Phases

The combined period of phase 1 and phase 2 of the internal CLKOUT signal defines the basic time unit known as a *state time* or *state*. Table 2-2 lists state time durations at various frequencies. The following formulas calculate the frequency of PH1 and PH2 and the duration of a state time (F_{osc} is the input frequency to the divide-by-two circuit).

$$PH1 \text{ (in MHz)} = \frac{F_{osc}}{2} = PH2 \text{ (in MHz)} \qquad \text{State Time (in seconds)} = \frac{2}{F_{osc}}$$

Because the device can operate at many frequencies, this manual defines time requirements in terms of state times rather than specific times. Consult the latest datasheet for AC timing specifications.

Table 2-2. State Times at Various Frequencies

F_{osc} (Frequency Input to the Divide-by-two Circuit)	State Time
8 MHz	250 ns
12 MHz	167 ns
16 MHz	125 ns

2.5 INTERNAL PERIPHERALS

The internal peripheral modules provide special functions for a variety of applications. This section provides a brief description of each peripheral and other chapters describe each one in detail.

2.5.1 I/O Ports

The 8XC196Kx, 8XC196Jx, and 87C196CA have seven I/O ports, ports 0–6. Individual port pins are multiplexed to serve as standard I/O or to carry special-function signals associated with an on-chip peripheral or an off-chip component. If a particular special-function signal is not used in an application, the associated pin can be individually configured to serve as a standard I/O pin. Ports 3 and 4 are exceptions. Their pins must be configured either as all I/O or as all address/data.

Port 0 is an input-only port that is also the analog input for the A/D converter. Ports 1, 2, and 6 are standard, bidirectional I/O ports. Port 1 provides pins for the EPA and timers. Port 2 provides pins for the serial I/O (SIO) port, interrupts, bus control signals, and clock generator. Port 6 provides pins for the event processor array (EPA) and synchronous serial I/O (SSIO) port.

Ports 3, 4, and 5 are memory-mapped, bidirectional I/O ports. Ports 3 and 4 serve as the external address/data bus. Port 5 provides bus control signals; for the 8XC196Kx, it can also provide pins for the slave port. Chapter 6, “I/O Ports,” describes the I/O ports in more detail.

NOTE

The 87C196CA device does not implement the following port pins: P0.1:0, P1.7:4, P2.5 and P2.3, P5.7 and P5.1, and P6.3:2. See “Design Considerations for 87C196CA Devices” on page 2-13 for details.

The 8XC196Jx devices do not implement the following port pins: P0.1:0, P1.7:4, P2.5 and P2.3, P5.7:4, and P6.3:2. See “Design Considerations for 8XC196JQ, JR, JT, and JV Devices” on page 2-14 for details.

2.5.2 Serial I/O (SIO) Port

The serial I/O (SIO) port is an asynchronous/synchronous port that includes a universal asynchronous receiver and transmitter (UART). The UART has one synchronous mode (mode 0) and three asynchronous modes (modes 1, 2, and 3) for both transmission and reception. The asynchronous modes are full duplex, meaning that they can transmit and receive data simultaneously. The receiver is buffered, so the reception of a second byte may begin before the first byte is read. The transmitter is also buffered, allowing continuous transmissions. See Chapter 7, “Serial I/O (SIO) Port,” for details.

2.5.3 Synchronous Serial I/O (SSIO) Port

The synchronous serial I/O (SSIO) port provides for simultaneous, bidirectional communications between two 8XC196 family devices or between an 8XC196 device and another synchronous serial I/O device. The SSIO port consists of two identical transceiver channels with a dedicated baud-rate generator. The channels can be programmed to operate in several modes. See Chapter 8, “Synchronous Serial I/O (SSIO) Port,” for more information.

2.5.4 Slave Port (8XC196Kx Only)

The slave port offers an alternative for communication between two CPU devices. Traditionally, system designers have had three alternatives for achieving this communication — a serial link, a parallel bus without a dual-port RAM (DPRAM), or a parallel bus with a DPRAM to hold shared data.

NOTE

The 87C196CA and 8XC196Jx devices do not implement the slave port chip-select and interrupt signals, so you cannot use the slave port on an 87C196CA or 8XC196Jx device.

A serial link, the most common method, has several advantages: it uses only two pins from each device, it needs no hardware protocol, and it allows for error detection before data is stored. However, it is relatively slow and involves software overhead to differentiate data, addresses, and commands. A parallel bus increases communication speed, but requires more pins and a rather involved hardware and software protocol. Using a DPRAM offers software flexibility between master and slave devices, but the hardware interconnect uses a demultiplexed bus, which requires even more pins than a simple parallel connection does. The DPRAM is also costly, and error detection can be difficult. The SSIO offers a simple means for implementing a serial link. The multiplexed address/data bus can be used to implement a parallel link, with or without a DPRAM. The slave port offers a fourth alternative.

The slave port offers the advantages of the traditional methods, without their drawbacks. It brings the DPRAM on-chip. With this configuration, an external processor (master) can simply read from and write to the on-chip memory of the 8XC196 (slave) device. The slave port requires more pins than a serial link does, but fewer than the number used for a parallel bus. It requires no hardware protocol, and it can interface with either a multiplexed or a demultiplexed bus. The master simply reads or writes as if there were a DPRAM device on the bus. Data error detection can be handled through the software. See Chapter 9, “Slave Port,” for details.

2.5.5 Event Processor Array (EPA) and Timer/Counters

The event processor array (EPA) performs high-speed input and output functions associated with its timer/counters. In the input mode, the EPA monitors an input for signal transitions. When an event occurs, the EPA records the timer value associated with it. This is a *capture* event. In the output mode, the EPA monitors a timer until its value matches that of a stored time value. When a match occurs, the EPA triggers an output event, which can set, clear, or toggle an output pin. This is a *compare* event. Both capture and compare events can initiate interrupts, which can be serviced by either the interrupt controller or the PTS.

Timer 1 and timer 2 are both 16-bit up/down timer/counters that can be clocked internally or externally. Each timer/counter is called a *timer* if it is clocked internally and a *counter* if it is clocked externally. (See Chapter 10, “Event Processor Array (EPA),” for additional information on the EPA and timer/counters.)

2.5.6 Analog-to-digital Converter

The analog-to-digital (A/D) converter converts an analog input voltage to a digital equivalent. Resolution is either 8 or 10 bits; sample and convert times are programmable. Conversions can be performed on the analog ground and reference voltage, and the results can be used to calculate gain and zero-offset errors. The internal zero-offset compensation circuit enables automatic zero-offset adjustment. The A/D also has a threshold-detection mode, which can be used to generate an interrupt when a programmable threshold voltage is crossed in either direction. The A/D scan mode of the PTS facilitates automated A/D conversions and result storage.

The main components of the A/D converter are a sample-and-hold circuit and an 8-bit or 10-bit *successive approximation* analog-to-digital converter. See Chapter 11, “Analog-to-digital Converter,” for more information.

2.5.7 Watchdog Timer

The watchdog timer is a 16-bit internal timer that resets the device if the software fails to operate properly. See Chapter 13, “Minimum Hardware Considerations,” for more information.

2.5.8 CAN Serial Communications Controller (87C196CA Only)

The 87C196CA device has a peripheral not found on 8XC196Jx or 8XC196Kx devices, the CAN (controller area network) peripheral. The CAN serial communications controller manages communications between multiple network nodes. This integrated peripheral is similar to Intel’s standalone 82527 CAN serial communications controller, supporting both the standard and extended message frames specified by the CAN 2.0 protocol parts A and B. See Chapter 12, “CAN Serial Communications Controller,” for more information.

2.6 SPECIAL OPERATING MODES

In addition to the normal execution mode, the device operates in several special-purpose modes. Idle and powerdown modes conserve power when the device is inactive. On-circuit emulation (ONCE) mode electrically isolates the microcontroller from the system, and several other modes provide programming options for nonvolatile memory. See Chapter 14, “Special Operating Modes,” for more information about idle, powerdown, and ONCE modes and Chapter 16, “Programming the Nonvolatile Memory,” for details about programming options.

2.6.1 Reducing Power Consumption

In idle mode, the CPU stops executing instructions, but the peripheral clocks remain active. Power consumption drops to about 40% of normal execution mode consumption. Either a hardware reset or any enabled interrupt source will bring the device out of idle mode.

In powerdown mode, all internal clocks are frozen at logic state zero and the oscillator is shut off. The register file, internal code and data RAM, and most peripherals retain their data if V_{CC} is maintained. Power consumption drops into the μW range.

2.6.2 Testing the Printed Circuit Board

The on-circuit emulation (ONCE) mode electrically isolates the 8XC196 device from the system. By invoking ONCE mode, you can test the printed circuit board while the device is soldered onto the board.

2.6.3 Programming the Nonvolatile Memory

MCS 96 microcontrollers that have internal OTPROM or EPROM provide several programming options:

- Slave programming allows a master EPROM programmer to program and verify one or more slave MCS 96 microcontrollers. Programming vendors and Intel distributors typically use this mode to program a large number of microcontrollers with a customer's code and data.
- Auto programming allows an MCS 96 microcontroller to program itself with code and data located in an external memory device. Customers typically use this low-cost method to program a small number of microcontrollers after development and testing are complete.
- Serial port programming allows you to download code and data (usually from a personal computer or workstation) to an MCS 96 microcontroller asynchronously through the serial I/O port's RXD and TXD pins. Customers typically use this mode to download large sections of code to the microcontroller during software development and testing.
- Run-time programming allows you to program individual nonvolatile memory locations during normal code execution, under complete software control. Customers typically use this mode to download a small amount of information to the microcontroller after the rest of the array has been programmed. For example, you might use run-time programming to download a unique identification number to a security device.
- ROM dump mode allows you to dump the contents of the device's nonvolatile memory to a tester or to a memory device (such as flash memory or RAM).

Chapter 16, “Programming the Nonvolatile Memory,” provides recommended circuits, the corresponding memory maps, and flow diagrams. It also provides procedures for auto programming and describes the commands used for serial port programming.

2.7 DESIGN CONSIDERATIONS FOR 87C196CA DEVICES

Some functions that were implemented on 8XC196Kx devices are omitted from the 87C196CA. Table 2-3 lists the pins and signals that are omitted.

Table 2-3. Unsupported Functions in 87C196CA Devices

Removed Pins or Signals	Unsupported Functions
P0.0 and P0.1	Analog channels 0 and 1
P1.4/EPA4, P1.5/EPA5, P1.6/EPA6, P1.7/EPA7	EPA channels 4 through 7
P2.3/BREQ, P2.5/HOLD#	Bus hold request and hold acknowledge
P5.1/INST/SLPCS#	Instruction fetch indication and slave port
SLPINT (multiplexed with P5.4 in Kx devices)	Slave port (P5.4 is implemented as a low-speed I/O pin)
P5.7/BUSWIDTH	Dynamic buswidth selection
P6.2/T1CLK, P6.3/T1DIR	External clocking and direction control of timer 1

Follow these recommendations to help maintain hardware and software compatibility between the 87C196CA and future devices.

- **Bus width.** Since the 87C196CA has no BUSWIDTH pin, the device cannot dynamically switch between 8- and 16-bit bus widths. Configure the CCBs to select either 8- or 16-bit bus width.
- **EPA4–EPA7.** The 87C196CA has neither the EPA7:4 pins nor the associated functions.
- **Slave port.** The 87C196CA has no P5.1/SLPCS# pin and no SLPINT signal, so you cannot use the slave port.
- **I/O ports.** The following port pins do not exist in the 87C196CA: P0.1:0; P1.7:4; P2.3 and P2.5; P5.1 and P5.7; P6.2 and P6.3. Software can still read the associated Px_DIR, Px_MODE, and Px_REG registers. The registers for the removed pins are permanently configured as follows:
 - Px_DIR bits are set.
 - Px_MODE bits are clear, except P5_MODE.7 is set.
 - Px_REG bits are set.

Do not use the bits associated with the removed port pins for conditional branch instructions. Treat these bits as reserved.

- **Auto programming.** During auto programming, the 87C196CA supports only a 16-bit, zero-wait-state bus configuration.

2.8 DESIGN CONSIDERATIONS FOR 8XC196JQ, JR, JT, AND JV DEVICES

The 8XC196Jx devices are 52-lead versions of 8XC196Kx devices. Some functions were removed to reduce the pin count (Table 2-4).

Table 2-4. Unsupported Functions in 8XC196Jx Devices

Removed Pins	Unsupported Functions
P0.0 and P0.1	Analog channels 0 and 1
P1.4/EPA4, P1.5/EPA5, P1.6/EPA6, P1.7/EPA7	Pins for EPA channels 4 through 7
P2.3/BREQ, P2.5/HOLD#	Bus hold request and hold acknowledge
P5.1/INST/SLPCS#	Instruction fetch indication and slave port
P5.4/SLPINT	Slave port
P5.5/BHE#/WRH#	16-bit external bus
P5.6/READY	Dynamic wait-state control
P5.7/BUSWIDTH	Dynamic buswidth selection
P6.2/T1CLK, P6.3/T1DIR	External clocking and direction control of timer 1
NMI	Nonmaskable interrupt

Follow these recommendations to help maintain hardware and software compatibility between 52-lead, 68-lead, and future devices.

- **Bus width.** Since the 8XC196Jx has neither a WRH# nor a BUSWIDTH pin, the device cannot dynamically switch between 8- and 16-bit bus widths. Program the CCBs to select 8-bit bus mode.
- **Wait states.** Since the 8XC196Jx has no READY pin, the device cannot rely on a READY signal to control wait states. Program the CCBs to limit the number of wait states (0, 1, 2, or 3).
- **EPA4–EPA7.** These functions exist in the 8XC196Jx, but the associated pins are omitted. You can use these functions as software timers, to start A/D conversions, or to reset the timers.
- **Slave port.** Since the 8XC196Jx has no P5.1/SLPCS and P5.4/SLPINT pins, you cannot use the slave port.
- **ONCE mode.** On the 8XC196JQ and JR, the ONCE mode entry function is multiplexed with P2.6 (P2.6/HLDA#/ONCE) rather than with P5.4 as it is on the 8XC196KQ and KR (P5.4/SLPINT/ONCE).
- **NMI.** Since the 8XC196Jx has no NMI pin, the nonmaskable interrupt is not supported. Initialize the NMI vector (at location 203EH) to point to a RET instruction. This method provides glitch protection only.
- **I/O ports.** The following port pins do not exist in the 8XC196Jx: P0.0–P0.1, P1.4–P1.7, P2.3 and P2.5, P5.1 and P5.4–P5.7, P6.2 and P6.3. Software can still read and write the associated Px_REG, Px_MODE, and Px_DIR registers. Configure the registers for the removed pins as follows:
 - Clear the corresponding Px_DIR bits. (Configures pins as complementary outputs.)
 - Clear the corresponding Px_MODE bits. (Selects I/O port function.)
 - Write either “0” or “1” to the corresponding Px_REG bits. (Effectively ties signals low or high.)Do not use the bits associated with the removed port pins for conditional branch instructions. Treat these bits as reserved.
- **Auto programming.** During auto programming, the 8XC196Jx supports only a 16-bit, zero-wait-state bus configuration.



3

Programming Considerations



CHAPTER 3

PROGRAMMING CONSIDERATIONS

This section provides an overview of the instruction set of the MCS[®] 96 microcontrollers and offers guidelines for program development. For detailed information about specific instructions, see Appendix A.

3.1 OVERVIEW OF THE INSTRUCTION SET

The instruction set supports a variety of operand types likely to be useful in control applications (see Table 3-1).

NOTE

The operand-type variables are shown in all capitals to avoid confusion. For example, a *BYTE* is an unsigned 8-bit variable in an instruction, while a *byte* is any 8-bit unit of data (either signed or unsigned).

Table 3-1. Operand Type Definitions

Operand Type	No. of Bits	Signed	Possible Values	Addressing Restrictions
BIT	1	No	True or False	As components of bytes
BYTE	8	No	0 through 255 (2^8-1)	None
SHORT-INTEGER	8	Yes	-128 (-2^7) through +127 ($+2^7-1$)	None
WORD	16	No	0 through 65,535 ($2^{16}-1$)	Even byte address
INTEGER	16	Yes	-32,768 (-2^{15}) through +32,767 ($+2^{15}-1$)	Even byte address
DOUBLE-WORD (Note 1)	32	No	0 through 4,294,967,295 ($2^{32}-1$)	An address in the lower register file that is evenly divisible by four (Note 2)
LONG-INTEGER (Note 1)	32	Yes	-2,147,483,648 (-2^{31}) through +2,147,483,647 ($+2^{31}-1$)	An address in the lower register file that is evenly divisible by four (Note 2)

NOTES:

- The 32-bit variables are supported only as the operand in shift operations, as the dividend in 32-by-16 divide operations, and as the product of 16-by-16 multiply operations.
- For consistency with third-party software, you should adopt the C programming conventions for addressing 32-bit operands. For more information, refer to "Software Standards and Conventions" on page 3-9.

Table 3-2 lists the equivalent operand-type names for both C programming and assembly language.

Table 3-2. Equivalent Operand Types for Assembly and C Programming Languages

Operand Types	Assembly Language Equivalent	C Programming Language Equivalent
BYTE	BYTE	unsigned char
SHORT-INTEGER	BYTE	char
WORD	WORD	unsigned int
INTEGER	WORD	int
DOUBLE-WORD	LONG	unsigned long
LONG-INTEGER	LONG	long

3.1.1 BIT Operands

A BIT is a single-bit variable that can have the Boolean values, “true” and “false.” The architecture requires that BITS be addressed as components of BYTES or WORDs. It does not support the direct addressing of BITS.

3.1.2 BYTE Operands

A BYTE is an unsigned, 8-bit variable that can take on values from 0 through 255 (2^8-1). Arithmetic and relational operators can be applied to BYTE operands, but the result must be interpreted in modulo 256 arithmetic. Logical operations on BYTES are applied bitwise. Bits within BYTES are labeled from 0 to 7; bit 0 is the least-significant bit. There are no alignment restrictions for BYTES, so they may be placed anywhere in the address space.

3.1.3 SHORT-INTEGER Operands

A SHORT-INTEGER is an 8-bit, signed variable that can take on values from -128 (-2^7) through $+127$ ($+2^7-1$). Arithmetic operations that generate results outside the range of a SHORT-INTEGER set the overflow flags in the PSW. The numeric result is the same as the result of the equivalent operation on BYTE variables. There are no alignment restrictions on SHORT-INTEGERS, so they may be placed anywhere in the address space.

3.1.4 WORD Operands

A WORD is an unsigned, 16-bit variable that can take on values from 0 through 65,535 ($2^{16}-1$). Arithmetic and relational operators can be applied to WORD operands, but the result must be interpreted in modulo 65536 arithmetic. Logical operations on WORDs are applied bitwise. Bits within WORDs are labeled from 0 to 15; bit 0 is the least-significant bit.

WORDS must be aligned at even byte boundaries in the address space. The least-significant byte of the WORD is in the even byte address, and the most-significant byte is in the next higher (odd) address. The address of a WORD is that of its least-significant byte (the even byte address). WORD operations to odd addresses are not guaranteed to operate in a consistent manner.

3.1.5 INTEGER Operands

An INTEGER is a 16-bit, signed variable that can take on values from $-32,768$ (-2^{15}) through $+32,767$ ($+2^{15}-1$). Arithmetic operations that generate results outside the range of an INTEGER set the overflow flags in the processor status word (PSW). The numeric result is the same as the result of the equivalent operation on WORD variables.

INTEGERS must be aligned at even byte boundaries in the address space. The least-significant byte of the INTEGER is in the even byte address, and the most-significant byte is in the next higher (odd) address. The address of an INTEGER is that of its least-significant byte (the even byte address). INTEGER operations to odd addresses are not guaranteed to operate in a consistent manner.

3.1.6 DOUBLE-WORD Operands

A DOUBLE-WORD is an unsigned, 32-bit variable that can take on values from 0 through $4,294,967,295$ ($2^{32}-1$). The architecture directly supports DOUBLE-WORD operands only as the operand in shift operations, as the dividend in 32-by-16 divide operations, and as the product of 16-by-16 multiply operations. For these operations, a DOUBLE-WORD variable must reside in the lower register file and must be aligned at an address that is evenly divisible by four. The address of a DOUBLE-WORD is that of its least-significant byte (the even byte address). The least-significant word of the DOUBLE-WORD is always in the lower address, even when the data is in the stack. This means that the most-significant word must be pushed into the stack first.

DOUBLE-WORD operations that are not directly supported can be easily implemented with two WORD operations. For example, the following sequences of 16-bit operations perform a 32-bit addition and a 32-bit subtraction, respectively.

```
ADD  REG1,REG3           ; (2-operand addition)
ADDC REG2,REG4

SUB  REG1,REG3           ; (2-operand subtraction)
SUBC REG2,REG4
```

3.1.7 LONG-INTEGER Operands

A LONG-INTEGER is a 32-bit, signed variable that can take on values from $-2,147,483,648$ (-2^{31}) through $+2,147,483,647$ ($+2^{31}-1$). The architecture directly supports LONG-INTEGER operands only as the operand in shift operations, as the dividend in 32-by-16 divide operations, and as the product of 16-by-16 multiply operations. For these operations, a LONG-INTEGER variable must reside in the lower register file and must be aligned at an address that is evenly divisible by four. The address of a LONG-INTEGER is that of its least-significant byte (the even byte address).

LONG-INTEGER operations that are not directly supported can be easily implemented with two INTEGER operations. See the example in “DOUBLE-WORD Operands” on page 3-3.

3.1.8 Converting Operands

The instruction set supports conversions between the operand types. The LDBZE (load byte, zero extended) instruction converts a BYTE to a WORD. CLR (clear) converts a WORD to a DOUBLE-WORD by clearing (writing zeros to) the upper WORD of the DOUBLE-WORD. LDBSE (load byte, sign extended) converts a SHORT-INTEGER into an INTEGER. EXT (sign extend) converts an INTEGER to a LONG-INTEGER.

3.1.9 Conditional Jumps

The instructions for addition, subtraction, and comparison do not distinguish between unsigned WORDs and signed INTEGERS. However, the conditional jump instructions allow you to treat the results of these operations as signed or unsigned quantities. For example, the CMPB (compare byte) instruction is used to compare both signed and unsigned 8-bit quantities. Following a compare operation, you can use the JH (jump if higher) instruction for unsigned operands or the JGT (jump if greater than) instruction for signed operands.

3.1.10 Floating Point Operations

The hardware does not directly support operations on REAL (floating point) variables. Those operations are supported by floating point libraries from third-party tool vendors. (See the *Development Tools Handbook*.) The performance of these operations is significantly improved by the NORML instruction and by the sticky bit (ST) flag in the processor status word (PSW). The NORML instruction normalizes a 32-bit variable; the sticky bit (ST) flag can be used in conjunction with the carry (C) flag to achieve finer resolution in rounding.

3.2 ADDRESSING MODES

The instruction set uses four basic addressing modes:

- direct
- immediate
- indirect (with or without autoincrement)
- indexed (short-, long-, or zero-indexed)

The stack pointer can be used with indirect addressing to access the top of the stack, and it can also be used with short-indexed addressing to access data within the stack. The zero register can be used with long-indexed addressing to access any memory location.

An instruction can contain only one immediate, indirect, or indexed reference; any remaining operands must be direct references.

This section describes the addressing modes as they are handled by the hardware. An understanding of these details will help programmers to take full advantage of the architecture. The assembly language hides some of the details of how these addressing modes work. “Assembly Language Addressing Mode Selections” on page 3-9 describes how the assembly language handles direct and indexed addressing modes.

The examples in this section assume that temporary registers are defined as shown in this segment of assembly code and described in Table 3-3.

```
                Oseg at 1ch
AX              DSW 1
BX              DSW 1
CX              DSW 1
DX              DSW 1
```

Table 3-3. Definition of Temporary Registers

Temporary Register	Description
AX	word-aligned 16-bit register; AH is the high byte of AX and AL is the low byte
BX	word-aligned 16-bit register; BH is the high byte of BX and BL is the low byte
CX	word-aligned 16-bit register; CH is the high byte of CX and CL is the low byte
DX	word-aligned 16-bit register; DH is the high byte of DX and DL is the low byte

3.2.1 Direct Addressing

Direct addressing directly accesses a location in the 256-byte lower register file, without involving the memory controller. Windowing allows you to remap other sections of memory into the lower register file for register-direct access (see Chapter 4, “Memory Partitions,” for details). You specify the registers as operands within the instruction. The register addresses must conform to the alignment rules for the operand type. Depending on the instruction, up to three registers can take part in a calculation. The following instructions use register-direct addressing:

```

ADD  AX, BX, CX      ; AX ← BX + CX
ADDB AL, BL, CL     ; AL ← BL + CL
MUL  AX, BX         ; AX ← AX * BX
INCB CL             ; CL ← CL + 1

```

3.2.2 Immediate Addressing

Immediate addressing mode accepts one immediate value as an operand in the instruction. You specify an immediate value by preceding it with a number symbol (#). An instruction can contain only one immediate value; the remaining operands must be register-direct references. The following instructions use immediate addressing:

```

ADD  AX, #340       ; AX ← AX + 340
PUSH #1234H        ; SP ← SP - 2
                    ; MEM_WORD(SP) ← 1234H
DIVB AX, #10       ; AL ← AX/10
                    ; AH ← AX MOD 10

```

3.2.3 Indirect Addressing

The indirect addressing mode accesses an operand by obtaining its address from a WORD register in the lower register file. You specify the register containing the indirect address by enclosing it in square brackets ([]). The indirect address can refer to any location within the address space, including the register file. The register that contains the indirect address must be word-aligned, and the indirect address must conform to the rules for the operand type. An instruction can contain only one indirect reference; any remaining operands must be register-direct references. The following instructions use indirect addressing:

```

LD   AX, [BX]      ; AX ← MEM_WORD(BX)

```

```

ADDB AL,BL,[CX]      ; AL ← BL + MEM_BYTE(CX)
POP  [AX]            ; MEM_WORD(AX) ← MEM_WORD(SP)
                    ; SP ← SP + 2

```

3.2.3.1 Indirect Addressing with Autoincrement

You can choose to automatically increment the indirect address after the current access. You specify autoincrementing by adding a plus sign (+) to the end of the indirect reference. In this case, the instruction automatically increments the indirect address (by one if the destination is an 8-bit register or by two if it is a 16-bit register). When your code is assembled, the assembler automatically sets the least-significant bit of the indirect address register. The following instructions use indirect addressing with autoincrement:

```

LD   AX,[BX]+        ; AX ← MEM_WORD(BX)
                    ; BX ← BX + 2
ADDB AL,BL,[CX]+    ; AL ← BL + MEM_BYTE(CX)
                    ; CX ← CX + 1
PUSH [AX]+          ; SP ← SP - 2
                    ; MEM_WORD(SP) ← MEM_WORD(AX)
                    ; AX ← AX + 2

```

3.2.3.2 Indirect Addressing with the Stack Pointer

You can also use indirect addressing to access the top of the stack by using the stack pointer as the WORD register in an indirect reference. The following instruction uses indirect addressing with the stack pointer:

```

PUSH [SP]           ; duplicate top of stack
                    ; SP ← SP + 2

```

3.2.4 Indexed Addressing

Indexed addressing calculates an address by adding an offset to a base address. There are three variations of indexed addressing: short-indexed, long-indexed, and zero-indexed. Both short- and long-indexed addressing are used to access a specific element within a structure. Short-indexed addressing can access up to 255 byte locations, long-indexed addressing can access up to 65,535 byte locations, and zero-indexed addressing can access a single location. An instruction can contain only one indexed reference; any remaining operands must be register-direct references.

3.2.4.1 Short-indexed Addressing

In a short-indexed instruction, you specify the offset as an 8-bit constant and the base address as an indirect address register (a WORD). The following instructions use short-indexed addressing.

```

LD   AX,12[BX]      ; AX ← MEM_WORD(BX+12)
MULB AX,BL,3[CX]   ; AX ← BL × MEM_BYTE(CX+3)

```

The instruction `LD AX,12[BX]` loads `AX` with the contents of the memory location that resides at address `BX+12`. That is, the instruction adds the constant 12 (the offset) to the contents of `BX` (the base address), then loads `AX` with the contents of the resulting address. For example, if `BX` contains 1000H, then `AX` is loaded with the contents of location 1012H. Short-indexed addressing is typically used to access elements in a structure, where `BX` contains the base address of the structure and the constant (12 in this example) is the offset of a specific element in a structure.

You can also use the stack pointer in a short-indexed instruction to access a particular location within the stack, as shown in the following instruction.

```
LD  AX, 2[SP]
```

3.2.4.2 Long-indexed Addressing

In a long-indexed instruction, you specify the base address as a 16-bit variable and the offset as an indirect address register (a WORD). The following instructions use long-indexed addressing.

```
LD  AX, TABLE[BX]           ; AX ← MEM_WORD(TABLE+BX)
AND  AX, BX, TABLE[CX]     ; AX ← BX AND MEM_WORD(TABLE+CX)
ST  AX, TABLE[BX]         ; MEM_WORD(TABLE+BX) ← AX
ADDB AL, BL, LOOKUP[CX]    ; AL ← BL + MEM_BYTE(LOOKUP+CX)
```

The instruction `LD AX, TABLE[BX]` loads `AX` with the contents of the memory location that resides at address `TABLE+BX`. That is, the instruction adds the contents of `BX` (the offset) to the constant `TABLE` (the base address), then loads `AX` with the contents of the resulting address. For example, if `TABLE` equals 4000H and `BX` contains 12H, then `AX` is loaded with the contents of location 4012H. Long-indexed addressing is typically used to access elements in a table, where `TABLE` is a constant that is the base address of the structure and `BX` is the scaled offset ($n \times$ element size, in bytes) into the structure.

3.2.4.3 Zero-indexed Addressing

In a zero-indexed instruction, you specify the address as a 16-bit variable; the offset is zero, and you can express it in one of three ways: `[0]`, `[ZERO_REG]`, or nothing. Each of the following load instructions loads `AX` with the contents of the variable `THISVAR`.

```
LD  AX, THISVAR[0]
LD  AX, THISVAR[ZERO_REG]
LD  AX, THISVAR
```

The following instructions also use zero-indexed addressing:

```
ADD  AX, 1234[ZERO_REG]      ; AX ← AX + MEM_WORD(1234)
POP  5678[ZERO_REG]         ; MEM_WORD(5678) ← MEM_WORD(SP)
                                ; SP ← SP + 2
```

3.3 ASSEMBLY LANGUAGE ADDRESSING MODE SELECTIONS

The assembly language simplifies the choice of addressing modes. Use these features wherever possible.

3.3.1 Direct Addressing

The assembly language chooses between direct and zero-indexed addressing depending on the memory location of the operand. Simply refer to the operand by its symbolic name. If the operand is in the lower register file, the assembly language chooses a direct reference. If the operand is elsewhere in memory, it chooses a zero-indexed reference.

3.3.2 Indexed Addressing

The assembly language chooses between short-indexed and long-indexed addressing depending on the value of the index expression. If the value can be expressed in eight bits, the assembly language chooses a short-indexed reference. If the value is greater than eight bits, it chooses a long-indexed reference.

3.4 SOFTWARE STANDARDS AND CONVENTIONS

For a software project of any size, it is a good idea to develop the program in modules and to establish standards that control communication between the modules. These standards vary with the needs of the final application. However, all standards must include some mechanism for passing parameters to procedures and returning results from procedures. We recommend that you use the conventions adopted by the C programming language for procedure linkage. These standards are usable for both the assembly language and C programming environments, and they offer compatibility between these environments.

3.4.1 Using Registers

The 256-byte lower register file contains the CPU special-function registers and the stack pointer. The remainder of the lower register file and all of the upper register file is available for your use. Peripheral special-function registers (SFRs) and memory-mapped SFRs reside in higher memory. The peripheral SFRs can be *windowed* into the lower register file for direct access. Memory-mapped SFRs cannot be windowed; you must use indirect or indexed addressing to access them. All SFRs can be operated on as BYTES or WORDS, unless otherwise specified. See “Special-function Registers (SFRs)” on page 4-5 and “Register File” on page 4-10 for more information.

To use these registers effectively, you must have some overall strategy for allocating them. The C programming language adopts a simple, effective strategy. It allocates the eight bytes beginning at address 1CH as temporary storage and treats the remaining area in the register file as a segment of memory that is allocated as required.

NOTE

Using any SFR as a base or index register for indirect or indexed operations can cause unpredictable results. External events can change the contents of SFRs, and some SFRs are cleared when read. For this reason, consider the implications of using an SFR as an operand in a read-modify-write instruction (e.g., XORB).

3.4.2 Addressing 32-bit Operands

The 32-bit operands (DOUBLE-WORDS and LONG-INTEGERS) are formed by two adjacent 16-bit words in memory. The least-significant word of a DOUBLE-WORD is always in the lower address, even when the data is in the stack (which means that the most-significant word must be pushed into the stack first). The address of a 32-bit operand is that of its least-significant byte.

The hardware supports the 32-bit data types as operands in shift operations, as dividends of 32-by-16 divide operations, and as products of 16-by-16 multiply operations. For these operations, the 32-bit operand must reside in the lower register file and must be aligned at an address that is evenly divisible by four.

3.4.3 Linking Subroutines

Parameters are passed to subroutines via the stack. Parameters are pushed into the stack from the rightmost parameter to the left. The 8-bit parameters are pushed into the stack with the high-order byte undefined. The 32-bit parameters are pushed onto the stack as two 16-bit values; the most-significant half of the parameter is pushed into the stack first. As an example, consider the following procedure:

```
void example_procedure (char param1, long param2, int param3);
```

When this procedure is entered at run-time, the stack will contain the parameters in the following order:

```
param3
low word of param2
high word of param2
undefined;param1
return address      ← Stack Pointer
```

If a procedure returns a value to the calling code (as opposed to modifying more global variables) the result is returned in the temporary storage space (TMPREG0, in this example) starting at 1CH. TMPREG0 is viewed as either an 8-, 16-, or 32-bit variable, depending on the type of the procedure.

The standard calling convention adopted by the C programming language has several key features:

- Procedures can always assume that the eight bytes of register file memory starting at 1CH can be used as temporary storage within the body of the procedure.
- Code that calls a procedure must assume that the procedure modifies the eight bytes of register file memory starting at 1CH.
- Code that calls a procedure must assume that the procedure modifies the processor status word (PSW) condition flags because procedures do not save and restore the PSW.
- Function results from procedures are always returned in the variable TMPREG0.

The C programming language allows the definition of interrupt procedures, which are executed when a predefined interrupt request occurs. Interrupt procedures do not conform to the rules of normal procedures. Parameters cannot be passed to these procedures and they cannot return results. Since interrupt procedures can execute essentially at any time, they must save and restore both the PSW and TMPREG0.

3.5 SOFTWARE PROTECTION FEATURES AND GUIDELINES

The device has several features to assist in recovering from hardware and software errors. The unimplemented opcode interrupt provides protection from executing unimplemented opcodes. The hardware reset instruction (RST) can cause a reset if the program counter goes out of bounds. The RST instruction opcode is 0FFH, so the processor will reset itself if it tries to fetch an instruction from unprogrammed locations in nonvolatile memory or from bus lines that have been pulled high. The watchdog timer (WDT) can also reset the device in the event of a hardware or software error.

We recommend that you fill unused areas of code with NOPs and periodic jumps to an error routine or RST instruction. This is particularly important in the code surrounding lookup tables, since accidentally executing from lookup tables will cause undesired results. Wherever space allows, surround each table with seven NOPs (because the longest device instruction has seven bytes) and a RST or a jump to an error routine. Since RST is a one-byte instruction, the NOPs are unnecessary if RSTs are used instead of jumps to an error routine. This will help to ensure a speedy recovery from a software error.

When using the watchdog timer (WDT) for software protection, we recommend that you reset the WDT from only one place in code, reducing the chance of an undesired WDT reset. The section of code that resets the WDT should monitor the other code sections for proper operation. This can be done by checking variables to make sure they are within reasonable values. Simply using a software timer to reset the WDT every 10 milliseconds will provide protection only for catastrophic failures.





4

Memory Partitions



CHAPTER 4 MEMORY PARTITIONS

This chapter describes the address space, its major partitions, and a *windowing* technique for accessing the upper register file and peripheral SFRs with register-direct instructions.

4.1 MEMORY PARTITIONS

Table 4-1 is a memory map of the 8XC196CA, 8XC196Jx, and 8XC196Kx devices. The remainder of this section describes the partitions.

4.1.1 External Devices (Memory or I/O)

Several partitions are assigned to external devices (see Table 4-1). Data can be stored in any part of this memory. Chapter 15, “Interfacing with External Memory,” describes the external memory interface and shows examples of external memory configurations. These partitions can also be used to interface with external peripherals connected to the address/data bus.

4.1.2 Program and Special-purpose Memory

Internal nonvolatile memory is an optional component of the 8XC196CA, 8XC196Jx, and 8XC196Kx devices. Various devices are available with masked ROM, EPROM, QROM, or OTPROM. Please consult the datasheets in the *Automotive Products* or *Embedded Microcontrollers* databook for details.

If present, the nonvolatile memory occupies the special-purpose memory and program memory partitions (locations 2000H and above; see Table 4-1 on page 4-2). The EA# signal controls access to these memory partitions. Accesses to these partitions are directed to internal memory if EA# is held high and to external memory if EA# is held low. For devices without internal nonvolatile memory, the EA# signal must be tied low. EA# is latched at reset.

Table 4-1. Memory Map

Device (Note 1) and Hex Address Range						Description	Addressing Modes
CA	JQ, KQ	JR, KR	KS	JT, KT	JV		
FFFF A000	FFFF 6000	FFFF 6000	FFFF 8000	FFFF A000	FFFF E000	External device (memory or I/O) connected to address/data bus	Indirect or indexed
—	5FFF 5000	—	—	—	—	These locations are not available in the 8XC196JQ and 8XC196KQ.	—
9FFF 2080	4FFF 2080	5FFF 2080	7FFF 2080	9FFF 2080	DFFF 2080	Program memory (internal nonvolatile or external memory); see Note 2	Indirect or indexed
207F 2000	207F 2000	207F 2000	207F 2000	207F 2000	207F 2000	Special-purpose memory (internal nonvolatile or external memory)	Indirect or indexed
1FFF 1FE0	1FFF 1FE0	1FFF 1FE0	1FFF 1FE0	1FFF 1FE0	1FFF 1FE0	Memory-mapped SFRs	Indirect or indexed
1FDF 1F00	1FDF 1F00	1FDF 1F00	1FDF 1F00	1FDF 1F00	1FDF 1F00	Peripheral SFRs	Indirect, indexed, or windowed direct
1EFF 1E00	—	—	—	—	—	CAN SFRs	Indirect, indexed, or windowed direct
1DFF 1C00	1EFF 1C00	1EFF 1C00	1EFF 1C00	1EFF 1C00	1EFF 1E00	External device (memory or I/O) connected to address/data bus; (future SFR expansion; see Note 3)	Indirect or indexed
—	—	—	—	—	1DFF 1C00	Register RAM	Indirect, indexed, or windowed direct
1BFF 0500	1BFF 0500	1BFF 0500	1BFF 0500	1BFF 0600	1BFF 0600	External device (memory or I/O) connected to address/data bus	Indirect or indexed
—	04FF 0480	—	—	—	—	These locations are not available in the 8XC196JQ and 8XC196KQ.	—
04FF 0400	047F 0400	04FF 0400	04FF 0400	05FF 0400	05FF 0400	Internal code or data RAM	Indirect or indexed
—	03FF 0200	03FF 0200	—	—	—	External device (memory or I/O) connected to address/data bus	Indirect or indexed
—	01FF 0180	—	—	—	—	These locations are not available in the 8XC196JQ and 8XC196KQ.	—
03FF 0100	017F 0100	01FF 0100	03FF 0100	03FF 0100	03FF 0100	Upper register file (general-purpose register RAM)	Indirect, indexed, or windowed direct
00FF 0000	00FF 0000	00FF 0000	00FF 0000	00FF 0000	00FF 0000	Lower register file (register RAM, stack pointer, and CPU SFRs)	Direct, indirect, or indexed

NOTES:

1. The 8XC196JT, JV, and KS are offered in automotive temperature ranges only. The 8XC196CA, JQ, JR, KQ, KR, and KT are offered in both automotive and commercial temperature ranges.
2. After a reset, the device fetches its first instruction from 2080H.
3. The content or function of these locations may change in future device revisions, in which case a program that relies on a location in this range might not function properly.

4.1.3 Program Memory

Program memory occupies a memory partition beginning at 2080H. (See Table 4-1 for the ending address for each device.) This entire partition is available for storing executable code and data. The EA# signal controls access to program memory. Accesses to this address range are directed to internal memory if EA# is held high and to external memory if EA# is held low. For devices without internal nonvolatile memory, the EA# signal must be tied low. EA# is latched at reset.

NOTE

We recommend that you write FFH (the opcode for the RST instruction) to unused program memory locations. This causes a device reset if a program unintentionally begins to execute in unused memory.

4.1.4 Special-purpose Memory

Special-purpose memory resides in locations 2000–207FH (Table 4-2). It contains several reserved memory locations, the chip configuration bytes (CCBs), and vectors for both peripheral transaction server (PTS) and standard interrupts. Accesses to this address range are directed to internal memory if EA# is held high and to external memory if EA# is held low. For devices without internal nonvolatile memory, the EA# signal must be tied low. EA# is latched at reset.

Table 4-2. Special-purpose Memory Addresses

Hex Address	Description
207F 205E	Reserved (each byte must contain FFH)
205D 2040	PTS vectors
203F 2030	Upper interrupt vectors
202F 2020	Security key
201F	Reserved (must contain 20H)
201E	Reserved (must contain FFH)
201D	Reserved (must contain 20H)
201C	Reserved (must contain FFH)
201B	Reserved (must contain 20H)
201A	CCB1
2019	Reserved (must contain 20H)
2018	CCB0
2017 2016	OFD flag (see page 13-12 and page 16-8)
2015 2014	Reserved (each byte must contain FFH)
2013 2000	Lower interrupt vectors

4.1.4.1 Reserved Memory Locations

Several memory locations are reserved for testing or for use in future products. Do not read or write these locations except to initialize them. The function or contents of these locations may change in future revisions; software that uses reserved locations may not function properly. Always initialize reserved locations to the values listed in Table 4-2 on page 4-3.

4.1.4.2 Interrupt and PTS Vectors

The upper and lower interrupt vectors contain the addresses of the interrupt service routines. The peripheral transaction server (PTS) vectors contain the addresses of the PTS control blocks. See Chapter 5, “Standard and PTS Interrupts,” for more information on interrupt and PTS vectors.

4.1.4.3 Security Key

The security key prevents unauthorized programming access to the nonvolatile memory. See Chapter 16, “Programming the Nonvolatile Memory,” for details.

4.1.4.4 Chip Configuration Bytes (CCBs)

The chip configuration bytes (CCBs) specify the operating environment. They specify the bus width, bus-control mode, and wait states. They also control powerdown mode, the watchdog timer, and nonvolatile memory protection.

The CCBs are the first bytes fetched from memory when the device leaves the reset state. The post-reset sequence loads the CCBs into the chip configuration registers (CCRs). Once they are loaded, the CCRs cannot be changed until the next device reset. Typically, the CCBs are programmed once when the user program is compiled and are not redefined during normal operation. “Chip Configuration Registers and Chip Configuration Bytes” on page 15-4 describes the CCBs and CCRs.

For devices with user-programmable nonvolatile memory, the CCBs are loaded for normal operation, but the PCCBs are loaded into the CCRs if the device is entering programming modes. See Chapter 16, “Programming the Nonvolatile Memory,” for details.

4.1.5 Special-function Registers (SFRs)

These devices have both memory-mapped SFRs and peripheral SFRs. The memory-mapped SFRs must be accessed using indirect or indexed addressing modes, and they **cannot** be windowed. The peripheral SFRs are physically located in the on-chip peripherals, and they can be windowed (see “Windowing” on page 4-13). Do not use reserved SFRs; write zeros to them or leave them in their default state. When read, reserved bits and reserved SFRs return undefined values.

NOTE

Using any SFR as a base or index register for indirect or indexed operations can cause unpredictable results. External events can change the contents of SFRs, and some SFRs are cleared when read. For this reason, consider the implications of using an SFR as an operand in a read-modify-write instruction (e.g., XORB).

4.1.5.1 Memory-mapped SFRs

Locations 1FE0–1FFFH contain memory-mapped SFRs (see Table 4-3). Locations in this range that are omitted from the table are reserved. The memory-mapped SFRs must be accessed with indirect or indexed addressing modes, and they cannot be windowed. If you read a location in this range through a window, the SFR **appears** to contain FFH (all ones). If you write a location in this range through a window, the write operation has **no effect** on the SFR.

The memory-mapped SFRs are accessed through the memory controller, so instructions that operate on these SFRs execute as they would from external memory with zero wait states.

Table 4-3. Memory-mapped SFRs

Ports 3, 4, 5, Slave Port, UPROM SFRs		
Hex Address	High (Odd) Byte	Low (Even) Byte
1FFE	P4_PIN	P3_PIN
1FFC	P4_REG	P3_REG
1FFA	SLP_CON	SLP_CMD
1FF8	Reserved	SLP_STAT
1FF6	P5_PIN	USFR
1FF4	P5_REG	P34_DRV
1FF2	P5_DIR	Reserved
1FF0	P5_MODE	Reserved

4.1.5.2 Peripheral SFRs

Locations 1F00–1FDFH provide access to the peripheral SFRs (Table 4-4). Locations in this range that are omitted from the table are reserved. The peripheral SFRs are I/O control registers; they are physically located in the on-chip peripherals. These peripheral SFRs can be windowed and they can be addressed either as words or bytes, except as noted in Table 4-4.

The peripheral SFRs are accessed directly, without using the memory controller, so instructions that operate on these SFRs execute as they would if they were operating on the register file.

NOTE

Some peripheral SFRs are implemented differently in the 87C196CA, 8XC196Jx, and 8XC196Kx devices. The individual SFR descriptions throughout this manual note the differences.

Table 4-4. Peripheral SFRs

Ports 0, 1, 2, and 6 SFRs			Timer 1, Timer 2, and EPA SFRs		
Address	High (Odd) Byte	Low (Even) Byte	Address	High (Odd) Byte	Low (Even) Byte
1FDEH	Reserved	Reserved	†1F9EH	TIMER2 (H)	TIMER2 (L)
1FDCH	Reserved	Reserved	1F9CH	Reserved	T2CONTROL
1FDAH	Reserved	P0_PIN	†1F9AH	TIMER1 (H)	TIMER1 (L)
1FD8H	Reserved	Reserved	1F98H	Reserved	T1CONTROL
1FD6H	P6_PIN	P1_PIN	1F96H	Reserved	Reserved
1FD4H	P6_REG	P1_REG	1F94H	Reserved	Reserved
1FD2H	P6_DIR	P1_DIR	1F92H	Reserved	Reserved
1FD0H	P6_MODE	P1_MODE	1F90H	Reserved	Reserved
1FCEH	P2_PIN	Reserved	EPA SFRs		
1FCCH	P2_REG	Reserved	Address	High (Odd) Byte	Low (Even) Byte
1FCAH	P2_DIR	Reserved	†1F8EH	COMP1_TIME (H)	COMP1_TIME (L)
1FC8H	P2_MODE	Reserved	1F8CH	Reserved	COMP1_CON
1FC6H	Reserved	Reserved	†1F8AH	COMP0_TIME (H)	COMP0_TIME (L)
1FC4H	Reserved	Reserved	1F88H	Reserved	COMP0_CON
1FC2H	Reserved	Reserved	†1F86H	EPA9_TIME (H)	EPA9_TIME (L)
1FC0H	Reserved	Reserved	1F84H	Reserved	EPA9_CON
SIO and SSIO SFRs			†1F82H	EPA8_TIME (H)	EPA8_TIME (L)
Address	High (Odd) Byte	Low (Even) Byte	1F80H	Reserved	EPA8_CON
1FBEH	Reserved	Reserved	†1F7EH	EPA7_TIME (H)	EPA7_TIME (L)
1FBCH	SP_BAUD (H)	SP_BAUD (L)	1F7CH	Reserved	EPA7_CON
1FBAH	SP_CON	SBUF_TX	†1F7AH	EPA6_TIME (H)	EPA6_TIME (L)
1FB8H	SP_STATUS	SBUF_RX	1F78H	Reserved	EPA6_CON
1FB6H	Reserved	Reserved	†1F76H	EPA5_TIME (H)	EPA5_TIME (L)
1FB4H	Reserved	SSIO_BAUD	1F74H	Reserved	EPA5_CON
1FB2H	SSIO1_CON	SSIO1_BUF	†1F72H	EPA4_TIME (H)	EPA4_TIME (L)
1FB0H	SSIO0_CON	SSIO0_BUF	1F70H	Reserved	EPA4_CON
A/D SFRs			†1F6EH	EPA3_TIME (H)	EPA3_TIME (L)
Address	High (Odd) Byte	Low (Even) Byte	†1F6CH	EPA3_CON (H)	EPA3_CON (L)
1FAEH	AD_TIME	AD_TEST	†1F6AH	EPA2_TIME (H)	EPA2_TIME (L)
1FACH	Reserved	AD_COMMAND	1F68H	Reserved	EPA2_CON
1FAAH	AD_RESULT (H)	AD_RESULT (L)	†1F66H	EPA1_TIME (H)	EPA1_TIME (L)
EPA Interrupt SFRs			†1F64H	EPA1_CON (H)	EPA1_CON (L)
Address	High (Odd) Byte	Low (Even) Byte	†1F62H	EPA0_TIME (H)	EPA0_TIME (L)
1FA8H	Reserved	EPAIPV	1F60H	Reserved	EPA0_CON
1FA6H	Reserved	EPA_PEND1			
1FA4H	Reserved	EPA_MASK1			
†1FA2H	EPA_PEND (H)	EPA_PEND (L)			
†1FA0H	EPA_MASK (H)	EPA_MASK (L)			

† Must be addressed as a word.

Table 4-5. CAN Peripheral SFRs — 8XC196CA Only

Message 15			Message 11		
Addr	High (Odd) Byte	Low (Even) Byte	Addr	High (Odd) Byte	Low (Even) Byte
1EFEH	Reserved	CAN_MSG15DATA7	1EBEH	Reserved	CAN_MSG11DATA7
1EFCH	CAN_MSG15DATA6	CAN_MSG15DATA5	1EBCH	CAN_MSG11DATA6	CAN_MSG11DATA5
1EFAH	CAN_MSG15DATA4	CAN_MSG15DATA3	1EBAH	CAN_MSG11DATA4	CAN_MSG11DATA3
1EF8H	CAN_MSG15DATA2	CAN_MSG15DATA1	1EB8H	CAN_MSG11DATA2	CAN_MSG11DATA1
1EF6H	CAN_MSG15DATA0	CAN_MSG15CFG	1EB6H	CAN_MSG11DATA0	CAN_MSG11CFG
1EF4H	CAN_MSG15ID3	CAN_MSG15ID2	1EB4H	CAN_MSG11ID3	CAN_MSG11ID2
1EF2H	CAN_MSG15ID1	CAN_MSG15ID0	1EB2H	CAN_MSG11ID1	CAN_MSG11ID0
1EF0H	CAN_MSG15CON1	CAN_MSG15CON0	1EB0H	CAN_MSG11CON1	CAN_MSG11CON0
Message 14			Message 10		
Addr	High (Odd) Byte	Low (Even) Byte	Addr	High (Odd) Byte	Low (Even) Byte
1EEEH	Reserved	CAN_MSG14DATA7	1EAEH	Reserved	CAN_MSG10DATA7
1EECH	CAN_MSG14DATA6	CAN_MSG14DATA5	1EACH	CAN_MSG10DATA6	CAN_MSG10DATA5
1EEAH	CAN_MSG14DATA4	CAN_MSG14DATA3	1EAAH	CAN_MSG10DATA4	CAN_MSG10DATA3
1EE8H	CAN_MSG14DATA2	CAN_MSG14DATA1	1EA8H	CAN_MSG10DATA2	CAN_MSG10DATA1
1EE6H	CAN_MSG14DATA0	CAN_MSG14CFG	1EA6H	CAN_MSG10DATA0	CAN_MSG10CFG
1EE4H	CAN_MSG14ID3	CAN_MSG14ID2	1EA4H	CAN_MSG10ID3	CAN_MSG10ID2
1EE2H	CAN_MSG14ID1	CAN_MSG14ID0	1EA2H	CAN_MSG10ID1	CAN_MSG10ID0
1EE0H	CAN_MSG14CON1	CAN_MSG14CON0	1EA0H	CAN_MSG10CON1	CAN_MSG10CON0
Message 13			Message 9		
Addr	High (Odd) Byte	Low (Even) Byte	Addr	High (Odd) Byte	Low (Even) Byte
1EDEH	Reserved	CAN_MSG13DATA7	1E9EH	Reserved	CAN_MSG9DATA7
1EDCH	CAN_MSG13DATA6	CAN_MSG13DATA5	1E9CH	CAN_MSG9DATA6	CAN_MSG9DATA5
1EDAH	CAN_MSG13DATA4	CAN_MSG13DATA3	1E9AH	CAN_MSG9DATA4	CAN_MSG9DATA3
1ED8H	CAN_MSG13DATA2	CAN_MSG13DATA1	1E98H	CAN_MSG9DATA2	CAN_MSG9DATA1
1ED6H	CAN_MSG13DATA0	CAN_MSG13CFG	1E96H	CAN_MSG9DATA0	CAN_MSG9CFG
1ED4H	CAN_MSG13ID3	CAN_MSG13ID2	1E94H	CAN_MSG9ID3	CAN_MSG9ID2
1ED2H	CAN_MSG13ID1	CAN_MSG13ID0	1E92H	CAN_MSG9ID1	CAN_MSG9ID0
1ED0H	CAN_MSG13CON1	CAN_MSG13CON0	1E90H	CAN_MSG9CON1	CAN_MSG9CON0
Message 12			Message 8		
Addr	High (Odd) Byte	Low (Even) Byte	Addr	High (Odd) Byte	Low (Even) Byte
1ECEH	Reserved	CAN_MSG12DATA7	1E8EH	Reserved	CAN_MSG8DATA7
1ECCH	CAN_MSG12DATA6	CAN_MSG12DATA5	1E8CH	CAN_MSG8DATA6	CAN_MSG8DATA5
1ECAH	CAN_MSG12DATA4	CAN_MSG12DATA3	1E8AH	CAN_MSG8DATA4	CAN_MSG8DATA3
1EC8H	CAN_MSG12DATA2	CAN_MSG12DATA1	1E88H	CAN_MSG8DATA2	CAN_MSG8DATA1
1EC6H	CAN_MSG12DATA0	CAN_MSG12CFG	1E86H	CAN_MSG8DATA0	CAN_MSG8CFG
1EC4H	CAN_MSG12ID3	CAN_MSG12ID2	1E84H	CAN_MSG8ID3	CAN_MSG8ID2
1EC2H	CAN_MSG12ID1	CAN_MSG12ID0	1E82H	CAN_MSG8ID1	CAN_MSG8ID0
1EC0H	CAN_MSG12CON1	CAN_MSG12CON0	1E80H	CAN_MSG8CON1	CAN_MSG8CON0

Table 4-5. CAN Peripheral SFRs — 8XC196CA Only (Continued)

Message 7			Message 3 and Bit Timing 0		
Addr	High (Odd) Byte	Low (Even) Byte	Addr	High (Odd) Byte	Low (Even) Byte
1E7EH	Reserved	CAN_MSG7DATA7	1E3EH	CAN_BTIME0 [†]	CAN_MSG3DATA7
1E7CH	CAN_MSG7DATA6	CAN_MSG7DATA5	1E3CH	CAN_MSG3DATA6	CAN_MSG3DATA5
1E7AH	CAN_MSG7DATA4	CAN_MSG7DATA3	1E3AH	CAN_MSG3DATA4	CAN_MSG3DATA3
1E78H	CAN_MSG7DATA2	CAN_MSG7DATA1	1E38H	CAN_MSG3DATA2	CAN_MSG3DATA1
1E76H	CAN_MSG7DATA0	CAN_MSG7CFG	1E36H	CAN_MSG3DATA0	CAN_MSG3CFG
1E74H	CAN_MSG7ID3	CAN_MSG7ID2	1E34H	CAN_MSG3ID3	CAN_MSG3ID2
1E72H	CAN_MSG7ID1	CAN_MSG7ID0	1E32H	CAN_MSG3ID1	CAN_MSG3ID0
1E70H	CAN_MSG7CON1	CAN_MSG7CON0	1E30H	CAN_MSG3CON1	CAN_MSG3CON0
Message 6			Message 2		
Addr	High (Odd) Byte	Low (Even) Byte	Addr	High (Odd) Byte	Low (Even) Byte
1E6EH	Reserved	CAN_MSG6DATA7	1E2EH	Reserved	CAN_MSG2DATA7
1E6CH	CAN_MSG6DATA6	CAN_MSG6DATA5	1E2CH	CAN_MSG2DATA6	CAN_MSG2DATA5
1E6AH	CAN_MSG6DATA4	CAN_MSG6DATA3	1E2AH	CAN_MSG2DATA4	CAN_MSG2DATA3
1E68H	CAN_MSG6DATA2	CAN_MSG6DATA1	1E28H	CAN_MSG2DATA2	CAN_MSG2DATA1
1E66H	CAN_MSG6DATA0	CAN_MSG6CFG	1E26H	CAN_MSG2DATA0	CAN_MSG2CFG
1E64H	CAN_MSG6ID3	CAN_MSG6ID2	1E24H	CAN_MSG2ID3	CAN_MSG2ID2
1E62H	CAN_MSG6ID1	CAN_MSG6ID0	1E22H	CAN_MSG2ID1	CAN_MSG2ID0
1E60H	CAN_MSG6CON1	CAN_MSG6CON0	1E20H	CAN_MSG2CON1	CAN_MSG2CON0
Message 5 and Interrupts			Message 1		
Addr	High (Odd) Byte	Low (Even) Byte	Addr	High (Odd) Byte	Low (Even) Byte
1E5EH	CAN_INT	CAN_MSG5DATA7	1E1EH	Reserved	CAN_MSG1DATA7
1E5CH	CAN_MSG5DATA6	CAN_MSG5DATA5	1E1CH	CAN_MSG1DATA6	CAN_MSG1DATA5
1E5AH	CAN_MSG5DATA4	CAN_MSG5DATA3	1E1AH	CAN_MSG1DATA4	CAN_MSG1DATA3
1E58H	CAN_MSG5DATA2	CAN_MSG5DATA1	1E18H	CAN_MSG1DATA2	CAN_MSG1DATA1
1E56H	CAN_MSG5DATA0	CAN_MSG5CFG	1E16H	CAN_MSG1DATA0	CAN_MSG1CFG
1E54H	CAN_MSG5ID3	CAN_MSG5ID2	1E14H	CAN_MSG1ID3	CAN_MSG1ID2
1E52H	CAN_MSG5ID1	CAN_MSG5ID0	1E12H	CAN_MSG1ID1	CAN_MSG1ID0
1E50H	CAN_MSG5CON1	CAN_MSG5CON0	1E10H	CAN_MSG1CON1	CAN_MSG1CON0
Message 4 and Bit Timing 1			Mask, Control, and Status		
Addr	High (Odd) Byte	Low (Even) Byte	Addr	High (Odd) Byte	Low (Even) Byte
1E4EH	CAN_BTIME1 [†]	CAN_MSG4DATA7	1E0EH	CAN_MSK15	CAN_MSK15
1E4CH	CAN_MSG4DATA6	CAN_MSG4DATA5	1E0CH	CAN_MSK15	CAN_MSK15
1E4AH	CAN_MSG4DATA4	CAN_MSG4DATA3	1E0AH	CAN_EGMSK	CAN_EGMSK
1E48H	CAN_MSG4DATA2	CAN_MSG4DATA1	1E08H	CAN_EGMSK	CAN_EGMSK
1E46H	CAN_MSG4DATA0	CAN_MSG4CFG	1E06H	CAN_SGMSK	CAN_SGMSK
1E44H	CAN_MSG4ID3	CAN_MSG4ID2	1E04H	Reserved	Reserved
1E42H	CAN_MSG4ID1	CAN_MSG4ID0	1E02H	Reserved	Reserved
1E40H	CAN_MSG4CON1	CAN_MSG4CON0	1E00H	CAN_STAT	CAN_CON [†]

[†] The CCE bit in the control register (CAN_CON) must be set to enable write access to the bit timing registers (CAN_BTIME0 and CAN_BTIME1).

4.1.6 Internal RAM (Code RAM)

These devices have up to 512 bytes of internal RAM (see Table 4-1 on page 4-2 for details) beginning at location 0400H. Although it is sometimes called *code RAM* to distinguish it from *register RAM*, this internal RAM can store either executable code or data. The code RAM is accessed through the memory controller, so code executes as it would from external memory with zero wait states. Data stored in this area must be accessed with indirect or indexed addressing, so data accesses to this area take longer than data accesses to the register RAM. The code RAM cannot be windowed.

4.1.7 Register File

The register file (Figure 4-1) is divided into an upper register file and a lower register file. The upper register file consists of general-purpose register RAM. The lower register file contains general-purpose register RAM along with the stack pointer (SP) and the CPU special-function registers (SFRs).

Table 4-1 on page 4-2 lists the register file memory addresses. The RALU accesses the lower register file directly, without the use of the memory controller. It also accesses a *windowed* location directly (see “Windowing” on page 4-13). The upper register file and the peripheral SFRs can be windowed. The 8XC196JV has additional register RAM in locations 1C00–1DFFH. Like the general-purpose register RAM in the upper register file, this register RAM can be windowed and is accessed directly, without the use of the memory controller. Registers in the lower register file and registers being windowed can be accessed with register-direct addressing.

NOTE

The register file must not contain code. An attempt to execute an instruction from a location in the register file causes the memory controller to fetch the instruction from external memory.

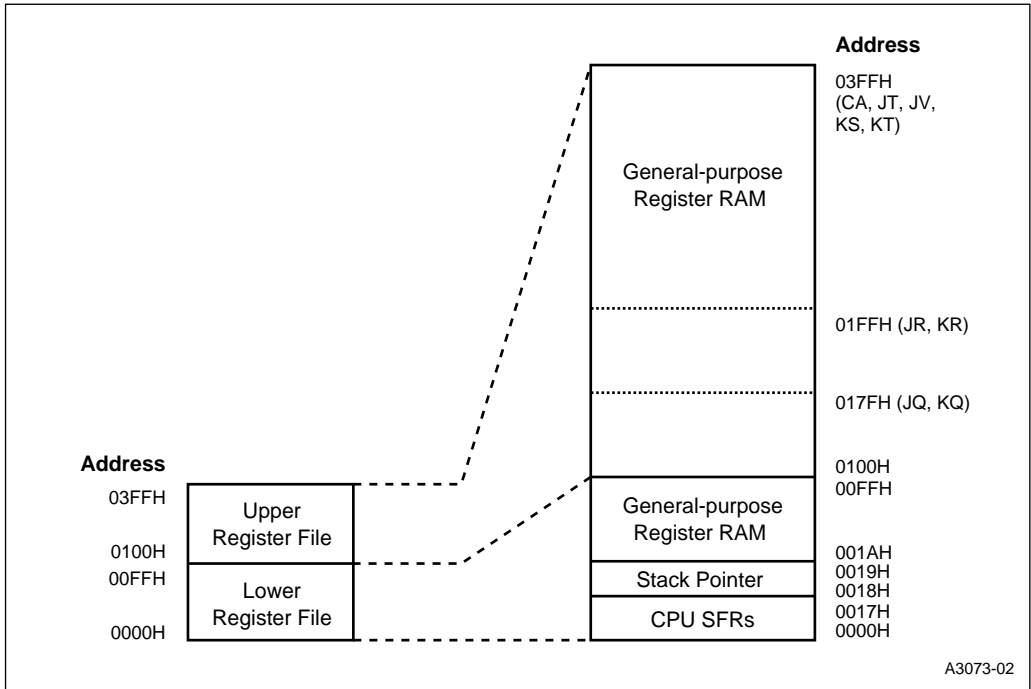


Figure 4-1. Register File Memory Map

Table 4-6. Register File Memory Addresses

Device and Hex Address Range				Description	Addressing Modes
JV	CA, JT, KS, KT	JR, KR	JQ, KQ		
1DFF 1C00	—	—	—	Register RAM	Indirect, indexed, or windowed direct
03FF 0100	03FF 0100	01FF 0100	017F 0100	Upper register file (register RAM)	Indirect, indexed, or windowed direct
00FF 001A	00FF 001A	00FF 001A	00FF 001A	Lower register file (register RAM)	Direct, indirect, or indexed
0019 0018	0019 0018	0019 0018	0019 0018	Lower register file (stack pointer)	Direct, indirect, or indexed
0017 0000	0017 0000	0017 0000	0017 0000	Lower register file (CPU SFRs)	Direct, indirect, or indexed

4.1.7.1 General-purpose Register RAM

The lower register file contains general-purpose register RAM. The stack pointer locations can also be used as general-purpose register RAM when stack operations are not being performed. The RALU can access this memory directly, using register-direct addressing.

The upper register file also contains general-purpose register RAM. The RALU normally uses indirect or indexed addressing to access the RAM in the upper register file. Windowing enables the RALU to use register-direct addressing to access this memory. (See Chapter 3, “Programming Considerations,” for a discussion of addressing modes.) Windowing can provide for fast context switching of interrupt tasks and faster program execution. (See “Windowing” on page 4-13.) PTS control blocks and the stack are most efficient when located in the upper register file.

The 8XC196JV has additional register RAM in locations 1C00–1DFFH. Like the general-purpose register RAM in the upper register file, this register RAM can be windowed and is accessed directly, without the use of the memory controller.

4.1.7.2 Stack Pointer (SP)

Memory locations 0018H and 0019H contain the stack pointer (SP). The SP contains the address of the stack. The SP must point to a word (even) address that is two bytes greater than the desired starting address. Before the CPU executes a subroutine call or interrupt service routine, it decrements the SP by two and copies (PUSHes) the address of the next instruction from the program counter onto the stack. It then loads the address of the subroutine or interrupt service routine into the program counter. When it executes the return-from-subroutine (RET) instruction at the end of the subroutine or interrupt service routine, the CPU loads (POPs) the contents of the top of the stack (that is, the return address) into the program counter and increments the SP by two.

Subroutines may be nested. That is, each subroutine may call other subroutines. The CPU PUSHes the contents of the program counter onto the stack each time it executes a subroutine call. The stack grows downward as entries are added. The only limit to the nesting depth is the amount of available memory. As the CPU returns from each nested subroutine, it POPs the address off the top of the stack, and the next return address moves to the top of the stack.

Your program must load a word-aligned (even) address into the stack pointer. Select an address that is two bytes greater than the desired starting address because the CPU automatically decrements the stack pointer before it pushes the first byte of the return address onto the stack. Remember that the stack grows downward, so allow sufficient room for the maximum number of stack entries. The stack must be located in either the internal register file or external RAM. The stack can be used most efficiently when it is located in the register file.

The following example initializes the top of the upper register file (8XC196CA, JT, JV, KS, KT) as the stack. (For the 8XC196JR or KR, the immediate value would be #200H; for the 8XC196JQ or KQ, it would be #180H.)

```
LD SP, #400H ;Load stack pointer
```

The following example shows how to allow the linker locator to determine where the stack fits in the memory map that you specify.

```
LD SP, #STACK
```

4.1.7.3 CPU Special-function Registers (SFRs)

Locations 0000–0017H in the lower register file are the CPU SFRs (Table 4-7). Appendix C describes the CPU SFRs.

Table 4-7. CPU SFRs

Address	High (Odd) Byte	Low (Even) Byte
0016H	Reserved	Reserved
0014H	Reserved	WSR
0012H	INT_MASK1	INT_PEND1
0010H	Reserved	Reserved
000EH	Reserved	Reserved
000CH	Reserved	Reserved
000AH	Reserved	WATCHDOG
0008H	INT_PEND	INT_MASK
0006H	PTSSRV (H)	PTSSRV (L)
0004H	PTSEL (H)	PTSEL (L)
0002H	ONES_REG (H)	ONES_REG (L)
0000H	ZERO_REG (H)	ZERO_REG (L)

NOTE

Using any SFR as a base or index register for indirect or indexed operations can cause unpredictable results. External events can change the contents of SFRs, and some SFRs are cleared when read. For this reason, consider the implications of using an SFR as an operand in a read-modify-write instruction (e.g., XORB).

4.2 WINDOWING

Windowing expands the amount of memory that is accessible with register-direct addressing. Register-direct addressing can access the lower register file with short, fast-executing instructions. With windowing, register-direct addressing can also access the upper register file and peripheral SFRs.

Windowing maps a segment of higher memory (the upper register file or peripheral SFRs) into the lower register file. The window selection register (WSR) selects a 32-, 64-, or 128-byte segment of higher memory to be windowed into the top of the lower register file space. Figure 4-2 shows the upper register file of the 8XC196CA, JT, JV, KS, and KT devices. Please refer to Table 4-1 on page 4-2 for the upper register file addresses for other devices.

The 8XC196JV has additional register RAM in locations 1C00–1DFFH. Like the general-purpose register RAM in the upper register file, this register RAM can be windowed and is accessed directly, without the use of the memory controller.

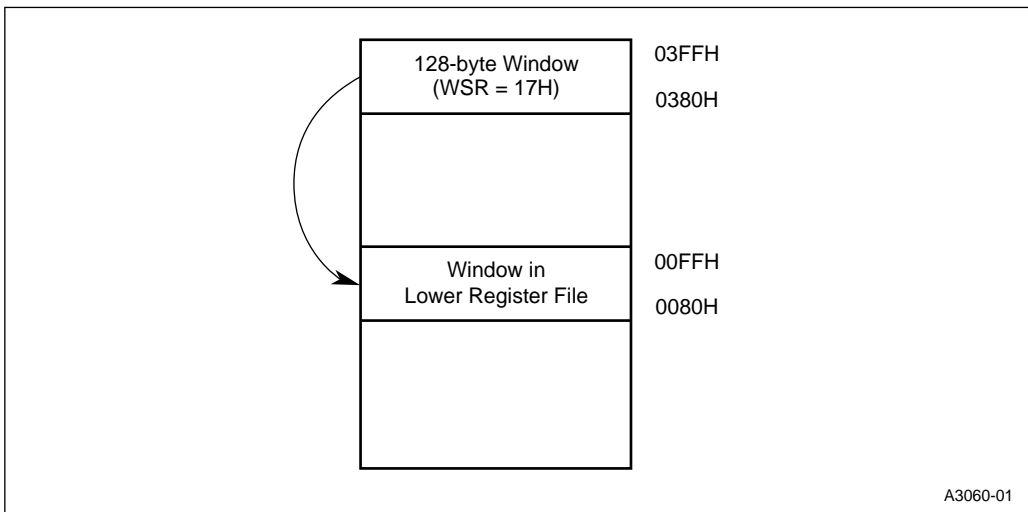


Figure 4-2. Windowing

NOTE

Memory-mapped SFRs must be accessed using indirect or indexed addressing modes; they cannot be windowed. Reading a memory-mapped SFR through a window returns FFH (all ones). Writing to a memory-mapped SFR through a window has no effect.

4.2.1 Selecting a Window

The window selection register (Figure 4-3) has two functions. The HLDEN bit (WSR.7) enables and disables the bus-hold protocol (see Chapter 15, “Interfacing with External Memory”); it is unrelated to windowing. The remaining bits select a window to be mapped into the top of the lower register file.

Table 4-8 on page 4-16 provides a quick reference of WSR values for windowing the peripheral SFRs. Table 4-9 on page 4-16 lists the WSR values for windowing the upper register file. Table 4-9 on page 4-16 lists the WSR values for windowing the additional register RAM of the 8XC196JV.

WSR	Address:	14H								
	Reset State:	00H								
<p>The window selection register (WSR) has two functions. One bit enables and disables the bus-hold protocol. The remaining bits select windows. Windows map sections of RAM into the upper section of the lower register file, in 32-, 64-, or 128-byte increments. PUSHA saves this register on the stack and POPA restores it.</p>										
	7	0								
CA, Jx	<table border="1" style="width: 100%; border-collapse: collapse;"> <tr> <td style="width: 12.5%; text-align: center;">—</td> <td style="width: 12.5%; text-align: center;">W6</td> <td style="width: 12.5%; text-align: center;">W5</td> <td style="width: 12.5%; text-align: center;">W4</td> <td style="width: 12.5%; text-align: center;">W3</td> <td style="width: 12.5%; text-align: center;">W2</td> <td style="width: 12.5%; text-align: center;">W1</td> <td style="width: 12.5%; text-align: center;">W0</td> </tr> </table>	—	W6	W5	W4	W3	W2	W1	W0	
—	W6	W5	W4	W3	W2	W1	W0			
	7	0								
Kx	<table border="1" style="width: 100%; border-collapse: collapse;"> <tr> <td style="width: 12.5%; text-align: center;">HLDEN</td> <td style="width: 12.5%; text-align: center;">W6</td> <td style="width: 12.5%; text-align: center;">W5</td> <td style="width: 12.5%; text-align: center;">W4</td> <td style="width: 12.5%; text-align: center;">W3</td> <td style="width: 12.5%; text-align: center;">W2</td> <td style="width: 12.5%; text-align: center;">W1</td> <td style="width: 12.5%; text-align: center;">W0</td> </tr> </table>	HLDEN	W6	W5	W4	W3	W2	W1	W0	
HLDEN	W6	W5	W4	W3	W2	W1	W0			
Bit Number	Bit Mnemonic	Function								
7†	HLDEN	Hold Enable This bit enables and disables the bus-hold protocol (see Chapter 15, “Interfacing with External Memory”). It has no effect on windowing. 1 = bus-hold protocol enabled 0 = bus-hold protocol disabled								
6:0	W6:0	Window Selection These bits specify the window size and window number: 6 5 4 3 2 1 0 1 x x x x x x 32-byte window; W5:0 = window number 0 1 x x x x x 64-byte window; W4:0 = window number 0 0 1 x x x x 128-byte window; W3:0 = window number								
† On the 8XC196CA, Jx devices this bit is reserved; always write as zero.										

Figure 4-3. Window Selection Register (WSR)

Table 4-8. Selecting a Window of Peripheral SFRs

Peripheral	WSR Value for 32-byte Window (00E0–00FFH)	WSR Value for 64-byte Window (00C0–00FFH)	WSR Value for 128-byte Window (0080–00FFH)
Ports 0, 1, 2, 6	7EH	3FH	1FH
A/D converter, EPA interrupts	7DH	3EH	
EPA compare 0–1, capture/compare 8–9, timers	7CH		
EPA capture/compare 0–7	7BH	3DH	1EH
CAN messages 14–15 (CA)	77H	3BH	1DH
CAN messages 12–13 (CA)	76H		
CAN messages 10–11 (CA)	75H	3AH	
CAN messages 8–9 (CA)	74H		
CAN messages 6–7 (CA)	73H	39H	1CH
CAN messages 4–5, bit timing 1, interrupts (CA)	72H		
CAN messages 2–3, bit timing 0 (CA)	71H	38H	
CAN message 1, control, status, mask (CA)	70H		

Table 4-9. Selecting a Window of the Upper Register File

Register RAM Locations	WSR Value for 32-byte Window (00E0–00FFH)	WSR Value for 64-byte Window (00C0–00FFH)	WSR Value for 128-byte Window (0080–00FFH)
03E0–03FFH	5FH	2FH	17H
03C0–03DFH	5EH		
03A0–03BFH	5DH		
0380–039FH	5CH		
0360–037FH	5BH	2DH	16H
0340–035FH	5AH		
0320–033FH	59H		
0300–031FH	58H		
02E0–02FFH	57H	2BH	15H
02C0–02DFH	56H		
02A0–02BFH	55H		
0280–029FH	54H		
0260–027FH	53H	29H	14H
0240–025FH	52H		
0220–023FH	51H		
0200–021FH	50H		
01E0–01FFH	4FH	27H	13H
01C0–01DFH	4EH		
01A0–01BFH	4DH	26H	
0180–019FH	4CH		

Table 4-9. Selecting a Window of the Upper Register File (Continued)

Register RAM Locations	WSR Value for 32-byte Window (00E0–00FFH)	WSR Value for 64-byte Window (00C0–00FFH)	WSR Value for 128-byte Window (0080–00FFH)
0160–017FH	4BH	25H	12H
0140–015FH	4AH		
0120–013FH	49H	24H	
0100–011FH	48H		

Table 4-10. Selecting a Window of Upper Register RAM — 8XC196JV Only

Register RAM Locations	WSR Value for 32-byte Window (00E0–00FFH)	WSR Value for 64-byte Window (00C0–00FFH)	WSR Value for 128-byte Window (0080–00FFH)
0DE0–0DFFH	6FH	37H	1BH
0DC0–0DDFH	6EH		
0DA0–0DBFH	6DH	36H	
0D80–0D9FH	6CH		
0D60–0D7FH	6BH	35H	1AH
0D40–0D5FH	6AH		
0D20–0D3FH	69H	34H	
0D00–0D1FH	68H		
0CE0–0CFFH	67H	33H	19H
0CC0–0CDFH	66H		
0CA0–0CBFH	65H	32H	
0C80–0C9FH	64H		
0C60–0C7FH	63H	31H	18H
0C40–0C5FH	62H		
0C20–0C3FH	61H	30H	
0C00–0C1FH	60H		

4.2.2 Addressing a Location Through a Window

After you have selected the desired window, you need to know the windowed direct address of the memory location (the address in the lower register file). Calculate the windowed direct address as follows:

1. Subtract the base address of the area to be remapped (from Table 4-11 on page 4-18) from the address of the desired location. This gives you the offset of that particular location.
2. Add the offset to the base address of the window (from Table 4-12 on page 4-20). The result is the windowed direct address.

Appendix C includes a table of the windowable SFRs with the WSR values and windowed direct addresses for each window size. Examples beginning on page 4-20 explain how to determine the WSR value and windowed direct address for any windowable location. An additional example shows how to set up a window by using the linker locator.

Table 4-11. Windows

Base Address	WSR Value for 32-byte Window (00E0–00FFH)	WSR Value for 64-byte Window (00C0–00FFH)	WSR Value for 128-byte Window (0080–00FFH)
Peripheral SFRs			
1FE0H	7FH (Note)	3FH (Note)	1FH (Note)
1FC0H	7EH		
1FA0H	7DH	3EH	
1F80H	7CH		
1F60H	7BH	3DH	
1F40H	7AH		
1F20H	79H	3CH	
1F00H	78H		
CAN Peripheral SFRs (8XC196CA Only)			
1EE0H	77H	3BH	1DH
1EC0H	76H		
1EA0H	75H	3AH	
1E80H	74H		
1E60H	73H	39H	
1E40H	72H		
1E20H	71H	38H	
1E00H	70H		
Register RAM (8XC196JV Only)			
1DE0H	6FH	37H	1BH
1DC0H	6EH		
1DA0H	6DH	36H	
1D80H	6CH		
1D60H	6BH	35H	
1D40H	6AH		
1D20H	69H	34H	
1D00H	68H		
1CE0H	67H	33H	1AH
1CC0H	66H		
1CA0H	65H	32H	
1C80H	64H		

NOTE: Locations 1FE0–1FFFH cannot be windowed. Reading these locations through a window returns FFH; writing these locations through a window has no effect.

Table 4-11. Windows (Continued)

Base Address	WSR Value for 32-byte Window (00E0–00FFH)	WSR Value for 64-byte Window (00C0–00FFH)	WSR Value for 128-byte Window (0080–00FFH)
Register RAM (8XC196JV Only; Continued)			
1C60H	63H	31H	18H
1C40H	62H		
1C20H	61H		
1C00H	60H	30H	
Upper Register File (8XC196CA, JT, JV, KS, KT Only)			
03E0H	5FH	2FH	17H
03C0H	5EH		
03A0H	5DH		
0380H	5CH	2EH	
0360H	5BH	2DH	16H
0340H	5AH		
0320H	59H		
0300H	58H	2CH	
02E0H	57H	2BH	15H
02C0H	56H		
02A0H	55H		
0280H	54H	2AH	
0260H	53H	29H	14H
0240H	52H		
0220H	51H		
0200H	50H	28H	
Upper Register File (8XC196CA, JR, JT, JV, KR, KS, KT Only)			
01E0H	4FH	27H	13H
01C0H	4EH		
01A0H	4DH		
0180H	4CH	26H	
Upper Register File (8XC196CA, JQ, JR, JT, JV, KQ, KR, KS, KT)			
0160H	4BH	25H	12H
0140H	4AH		
0120H	49H		
0100H	48H	24H	

NOTE: Locations 1FE0–1FFFH cannot be windowed. Reading these locations through a window returns FFH; writing these locations through a window has no effect.

Table 4-12. Windowed Base Addresses

Window Size	WSR Windowed Base Address (Base Address in Lower Register File)
32-byte	00E0H
64-byte	00C0H
128-byte	0080H

Appendix C includes a table of the windowable SFRs with the WSR values and direct addresses for each window size. The following examples explain how to determine the WSR value and direct address for any windowable location. An additional example shows how to set up a window by using the linker locator.

4.2.2.1 32-byte Windowing Example

Assume that you wish to access location 014BH (a location in the upper register file used for general-purpose register RAM) with register-direct addressing through a 32-byte window. Table 4-11 on page 4-18 shows that you need to write 4AH to the window selection register. It also shows that the base address of the 32-byte memory area is 0140H. To determine the offset, subtract that base address from the address to be accessed ($014BH - 0140H = 000BH$). Add the offset to the base address of the window in the lower register file (00E0H, from Table 4-12). The direct address is 00EBH ($000BH + 00E0H$).

4.2.2.2 64-byte Windowing Example

Assume that you wish to access the COMP1_CON register (location 1F8CH) with register-direct addressing through a 64-byte window. Table 4-11 on page 4-18 shows that you need to write 3EH to the window selection register. It also shows that the base address of the 64-byte memory area is 1F80H. To determine the offset, subtract that base address from the address to be accessed ($1F8CH - 1F80H = 000CH$). Add the offset to the base address of the window in the lower register file (00C0H, from Table 4-12). The direct address is 00CCH ($000CH + 00C0H$).

4.2.2.3 128-byte Windowing Example

Assume that you wish to access location 1F82H (the EPA8_TIME register) with register-direct addressing through a 128-byte window. Table 4-11 on page 4-18 shows that you need to write 1FH to the window selection register. It also shows that the base address of the 128-byte memory area is 1F80H. To determine the offset, subtract that base address from the address to be accessed ($1F82H - 1F80H = 0002H$). Add the offset to the base address of the window in the lower register file (0080H, from Table 4-12). The direct address is 0082H ($0002H + 0080H$).

4.2.2.4 Unsupported Locations Windowing Example

Assume that you wish to access location 1FF1H (the P5_MODE register, a memory-mapped SFR) with register-direct addressing through a 128-byte window. This location is in the range of addresses (1FE0–1FFFH) that cannot be windowed. Although you could set up the window by writing 1FH to the WSR, reading this location through the window would return FFH (all ones) and writing to it would not change the contents. However, you could access the peripheral SFRs in the range of 1F80–1FDFH with their windowed direct addresses.

4.2.2.5 Using the Linker Locator to Set Up a Window

In this example, the linker locator is used to set up a window. The linker locator locates the window in the upper register file and determines the value to load in the WSR for access to that window. (Please consult the manual provided with the linker locator for details.)

```
***** mod1 *****
mod1 module main                ;Main module for linker
public function1
extrn ?WSR                      ;Must declare ?WSR as external

wsr equ 14h:byte
sp equ 18h:word

oseg
var1: dsw 1                      ;Allocate variables in an
var2: dsw 1                      ;overlayable segment
var3: dsw 1

cseg

function1:
push wsr                        ;Prolog code for wsr
ldb wsr, #?WSR                  ;Prolog code for wsr

add var1, var2, var3           ;Use the variables as registers
;
;

ldb wsr, [sp]                   ;Epilog code for wsr
add sp, #2                      ;Epilog code for wsr
ret

end

***** mod2 *****
```

```

public function2
extrn ?WSR

wsr equ 14h:byte
sp equ 18h:word

oseg
var1: dsw 1
var2: dsw 1
var3: dsw 1

cseg

function2:
    push wsr                ;Prolog code for wsr
    ldb wsr, #?WSR         ;Prolog code for wsr

    add var1, var2, var3
    ;
    ;
    ;

    ldb wsr, [sp]          ;Epilog code for wsr
    add sp, #2              ;Epilog code for wsr
    ret

end
*****

```

The following is an example of a linker invocation to link and locate the modules and to determine the proper windowing. (This example assumes an 8XC196CA, JT, JV, KS, or KT.)

```
RL196 MOD1.OBJ, MOD2.OBJ registers(100h-03ffh) windowsize(32)
```

The above linker controls tell the linker to use registers 0100–03FFH for windowing and to use a window size of 32 bytes. (These two controls enable windowing.)

The following is the map listing for the resultant output module (MOD1 by default):

```
SEGMENT MAP FOR mod1(MOD1):
```

	TYPE	BASE	LENGTH	ALIGNMENT	MODULE NAME
	----	----	-----	-----	-----
**RESERVED*		0000H	001AH		
	STACK	001AH	0006H	WORD	
*** GAP ***		0020H	00E0H		
	OVRLY	0100H	0006H	WORD	MOD2
	OVRLY	0106H	0006H	WORD	MOD1
*** GAP ***		010CH	1F74H		
	CODE	2080H	0011H	BYTE	MOD2
	CODE	2091H	0011H	BYTE	MOD1
*** GAP ***		20A2H	DF5EH		

This listing shows the disassembled code:

```

2080H      ;C814          | PUSH  WSR
2082H      ;B14814       | LDB   WSR, #48H
2085H      ;44E4E2E0     | ADD   E0H, E2H, E4H
2089H      ;B21814       | LDB   WSR, [ SP ]
208CH      ;65020018     | ADD   SP, #02H
2090H      ;F0           | RET
2091H      ;C814          | PUSH  WSR
2093H      ;B14814       | LDB   WSR, #48H
2096H      ;44EAE8E6     | ADD   E6H, E8H, EAH
209AH      ;B21814       | LDB   WSR, [ SP ]
209DH      ;65020018     | ADD   SP, #02H
20A1H      ;F0           | RET

```

The C compiler can also take advantage of this feature if the “windows” switch is enabled. For details, see the MCS 96 microcontroller architecture software products in the *Development Tools Handbook*.

4.2.3 Windowing and Addressing Modes

Once windowing is enabled, the windowed locations can be accessed both through the window using direct (8-bit) addressing and by the usual 16-bit addressing. The lower register file locations that are covered by the window are always accessible by indirect or indexed operations. To re-enable direct access to the entire lower register file, clear the WSR. To enable direct access to a particular location in the lower register file, you can select a smaller window that does not cover that location.

When windowing is enabled:

- a register-direct instruction that uses an address within the lower register file actually accesses the window in the upper register file;
- an indirect, indexed, or zero-register instruction that uses an address within either the lower register file or the upper register file accesses the actual location in memory.

The following sample code illustrates the difference between register-direct and indexed addressing when using windowing.

```

PUSHA          ; pushes the contents of WSR onto the stack
LDB WSR, #12H  ; select window 12H, a 128-byte block
               ; The next instruction uses register-direct addr
ADD 40H, 80H   ; mem_word(40H)←mem_word(40H) + mem_word(380H)
               ; The next two instructions use indirect addr
ADD 40H, 80H[0] ; mem_word(40H)←mem_word(40H) + mem_word(80H +0)
ADD 40H, 380H[0] ; mem_word(40H)←mem_word(40H) + mem_word(380H +0)
POPA          ; reloads the previous contents into WSR

```




5

Standard and PTS Interrupts



CHAPTER 5

STANDARD AND PTS INTERRUPTS

This chapter describes the interrupt control circuitry, priority scheme, and timing for standard and peripheral transaction server (PTS) interrupts. It discusses the three special interrupts and the five PTS modes, two of which are used with the EPA to produce pulse-width modulated (PWM) outputs. It also explains interrupt programming and control.

5.1 OVERVIEW

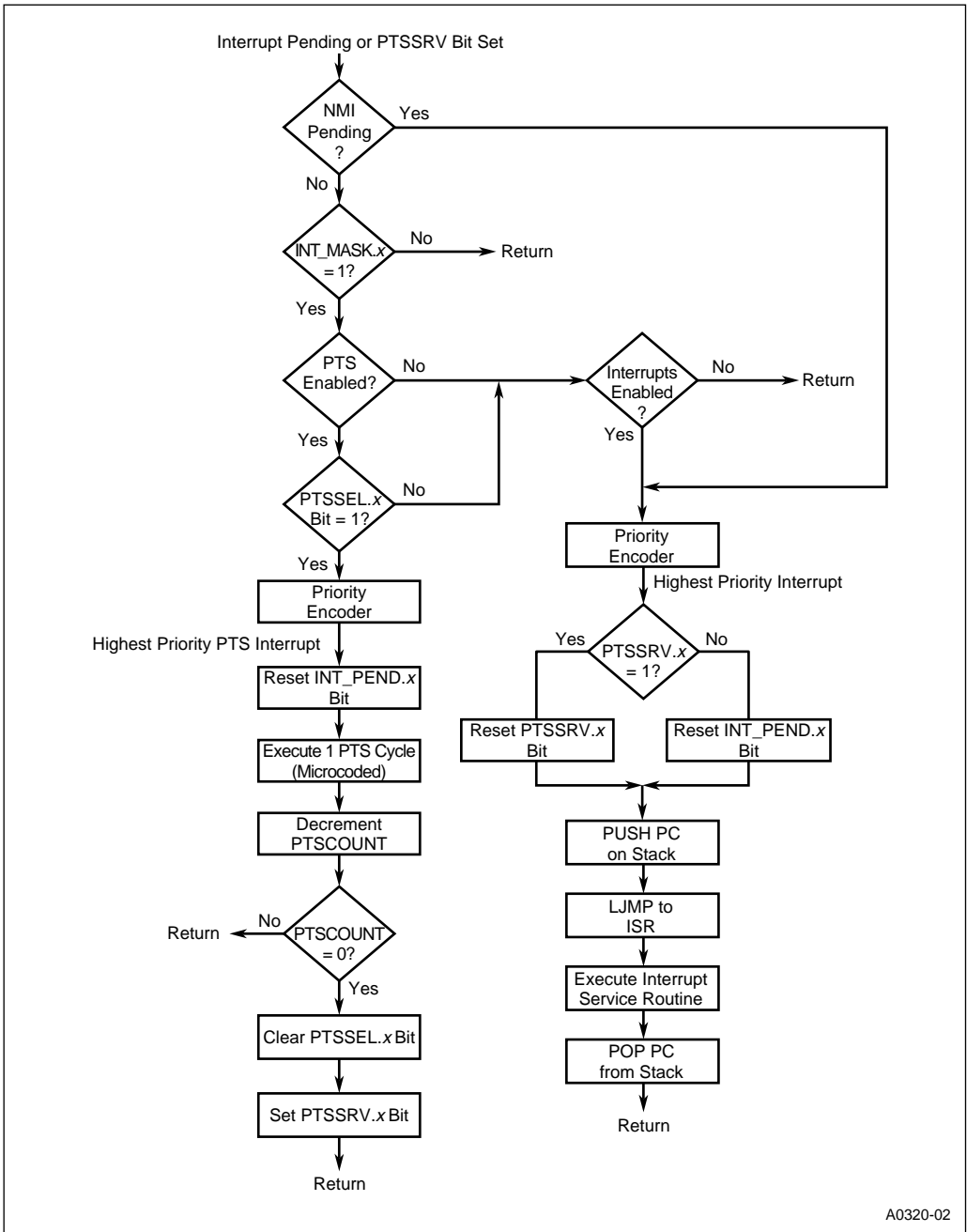
The interrupt control circuitry within a microcontroller permits real-time events to control program flow. When an event generates an interrupt, the device suspends the execution of current instructions while it performs some service in response to the interrupt. When the interrupt is serviced, program execution resumes at the point where the interrupt occurred. An internal peripheral, an external signal, or an instruction can request an interrupt. In the simplest case, the device receives the request, performs the service, and returns to the task that was interrupted.

This microcontroller's flexible interrupt-handling system has two main components: the programmable interrupt controller and the peripheral transaction server (PTS). The programmable interrupt controller has a hardware priority scheme that can be modified by your software. Interrupts that go through the interrupt controller are serviced by interrupt service routines that you provide. The upper and lower interrupt vectors in special-purpose memory (see Chapter 4, "Memory Partitions") contain the interrupt service routines' addresses. The peripheral transaction server (PTS), a microcoded hardware interrupt processor, provides high-speed, low-overhead interrupt handling; it does not modify the stack or the PSW. You can configure most interrupts (except NMI, trap, and unimplemented opcode) to be serviced by the PTS instead of the interrupt controller.

The PTS supports five special microcoded routines that enable it to complete specific tasks in much less time than an equivalent interrupt service routine can. It can transfer bytes or words, either individually or in blocks, between any memory locations; manage multiple analog-to-digital (A/D) conversions; and generate pulse-width modulated (PWM) signals. PTS interrupts have a higher priority than standard interrupts and may temporarily suspend interrupt service routines.

A block of data called the PTS control block (PTSCB) contains the specific details for each PTS routine (see "Initializing the PTS Control Blocks" on page 5-18). When a PTS interrupt occurs, the priority encoder selects the appropriate vector and fetches the PTS control block (PTSCB).

Figure 5-1 illustrates the interrupt processing flow. In this flow diagram, "INT_MASK" represents both the INT_MASK and INT_MASK1 registers, and "INT_PEND" represents both the INT_PEND and INT_PEND1 registers.



A0320-02

Figure 5-1. Flow Diagram for PTS and Standard Interrupts

5.2 INTERRUPT SIGNALS AND REGISTERS

Table 5-1 describes the external interrupt signals and Table 5-2 describes the control and status registers for both the interrupt controller and PTS.

Table 5-1. Interrupt Signals

PWM Signal	Port Pin	Type	Description
EXTINT	P2.2	I	<p>External Interrupt</p> <p>In normal operating mode, a rising edge on EXTINT sets the EXTINT interrupt pending flag. EXTINT is sampled during phase 2 (CLKOUT high). The minimum high time is one state time.</p> <p>If the chip is in idle mode and if EXTINT is enabled, a rising edge on EXTINT brings the chip back to normal operation, where the first action is to execute the EXTINT service routine. After completion of the service routine, execution resumes at the the IDLPD instruction following the one that put the device into idle mode.</p> <p>In powerdown mode, asserting EXTINT causes the chip to return to normal operating mode. If EXTINT is enabled, the EXTINT service routine is executed. Otherwise, execution continues at the instruction following the IDLPD instruction that put the device into powerdown mode.</p>
NMI [†]	—	I	<p>Nonmaskable Interrupt</p> <p>In normal operating mode, a rising edge on NMI causes a vector through the NMI interrupt at location 203EH. NMI must be asserted for greater than one state time to guarantee that it is recognized.</p> <p>In idle mode, a rising edge on the NMI pin causes the device to return to normal operation, where the first action is to execute the NMI service routine. After completion of the service routine, execution resumes at the instruction following the IDLPD instruction that put the device into idle mode.</p> <p>In powerdown mode, a rising edge on the NMI pin does not cause the device to exit powerdown.</p>

[†] This signal is not implemented on the 8XC196Jx (see “Design Considerations for 8XC196JQ, JR, JT, and JV Devices” on page 2-14).

Table 5-2. Interrupt and PTS Control and Status Registers

Register Mnemonic	Register Name	Description
CAN_INT (CA only)	1E5FH	<p>CAN Interrupt Pending</p> <p>This read-only register indicates the source of the highest-priority pending CAN interrupt.</p>

Table 5-2. Interrupt and PTS Control and Status Registers (Continued)

Register Mnemonic	Register Name	Description
EPA_MASK EPA_MASK1	EPA Interrupt Mask Registers	These registers enable/disable the 20 multiplexed EPA interrupts
EPA_PEND EPA_PEND1	EPA Interrupt Pending Registers	The bits in these registers are set by hardware to indicate that a multiplexed EPA interrupt is pending.
EPAIPV	EPA Interrupt Priority Vector	This register contains a number from 00H to 14H corresponding to the highest-priority pending EPAX interrupt source. This value allows software to branch via the TIJMP instruction to the correct interrupt service routine when the EPAX interrupt is activated. Reading this register clears the pending bit of the associated interrupt source. The EPAX pending bit (INT_PEND.7) is cleared when all the pending bits for its sources (in EPA_PEND and EPA_PEND1) have been cleared.
INT_MASK INT_MASK1	Interrupt Mask Registers	These registers enable/disable each maskable interrupt (that is, each interrupt except unimplemented opcode, software trap, and NMI.)
INT_PEND INT_PEND1	Interrupt Pending Registers	The bits in this register are set by hardware to indicate that an interrupt is pending.
PSW	Program Status Word	This register contains one bit that globally enables or disables servicing of all maskable interrupts and another that enables or disables the PTS. These bits are set or cleared by executing the enable interrupts (EI), disable interrupts (DI), enable PTS (EPTS), and disable PTS (DPTS) instructions.
PTSSEL	PTS Select Register	This register selects either a PTS routine or a standard interrupt service routine for each of the maskable interrupt requests.
PTSSRV	PTS Service Register	The bits in this register are set by hardware to request an end-of-PTS interrupt.

5.3 INTERRUPT SOURCES AND PRIORITIES

Table 5-3 lists the interrupts sources, their default priorities (30 is highest and 0 is lowest), and their vector addresses. The unimplemented opcode and software trap interrupts are not prioritized; they go directly to the interrupt controller for servicing. The priority encoder determines the priority of all other pending interrupt requests. NMI has the highest priority of all prioritized interrupts, PTS interrupts have the next highest priority, and standard interrupts have the lowest. The priority encoder selects the highest priority pending request and the interrupt controller selects the corresponding vector location in special-purpose memory. This vector contains the starting (base) address of the corresponding PTS control block (PTSCB) or interrupt service routine. PTSCBs must be located in register RAM on a quad-word boundary.

Table 5-3. Interrupt Sources, Vectors, and Priorities

Interrupt Source	Mnemonic	Interrupt Controller Service			PTS Service		
		Name	Vector	Priority	Name	Vector	Priority
Nonmaskable Interrupt	NMI [†]	INT15	203EH	30	—	—	—
EXTINT Pin	EXTINT	INT14	203CH	14	PTS14	205CH	29
CAN (CA) ^{†††}	CAN	INT13	203AH	13	PTS13 ^{††}	205AH	28
Reserved (Kx, Jx)	—						
SIO Receive	RI	INT12	2038H	12	PTS12	2058H	27
SIO Transmit	TI	INT11	2036H	11	PTS11	2056H	26
SSIO Channel 1 Transfer	SSIO1	INT10	2034H	10	PTS10	2054H	25
SSIO Channel 0 Transfer	SSIO0	INT09	2032H	09	PTS09	2052H	24
Slave Port Command Buff Full	CBF	INT08	2030H	08	PTS08	2050H	23
Unimplemented Opcode	—	—	2012H	—	—	—	—
Software TRAP Instruction	—	—	2010H	—	—	—	—
Slave Port Input Buff Full	IBF	INT07	200EH	07	PTS07	204EH	22
Slave Port Output Buff Empty	OBE	INT06	200CH	06	PTS06	204CH	21
A/D Conversion Complete	AD_DONE	INT05	200AH	05	PTS05	204AH	20
EPA Capture/Compare 0	EPA0	INT04	2008H	04	PTS04	2048H	19
EPA Capture/Compare 1	EPA1	INT03	2006H	03	PTS03	2046H	18
EPA Capture/Compare 2	EPA2	INT02	2004H	02	PTS02	2044H	17
EPA Capture/Compare 3	EPA3	INT01	2002H	01	PTS01	2042H	16
EPA Capture/Compare 4–9, EPA 0–9 Overrun, EPA Compare 0–1, Timer 1 Overflow, Timer 2 Overflow ^{††††}	EPA _x	INT00	2000H	00	PTS00 ^{††}	2040H	15

NOTES:

[†] The NMI pin is not bonded out on the 8XC196Jx. To protect against glitches, create a dummy interrupt service routine that contains a RET instruction.

^{††} The PTS cannot determine the source of multiplexed interrupts, so do not use it to service these interrupts when more than one multiplexed interrupt is unmasked.

^{†††} All CAN-controller interrupts are multiplexed into the single CAN interrupt input (INT13). The interrupt service routine associated with INT13 must read the CAN interrupt pending register (CAN_INT) to determine the source of the interrupt request

^{††††} These interrupts are individually prioritized in the EPAIPV register (see Table 10-16 on page 10-30). Read the EPA pending registers (EPA_PEND and EPA_PEND1) to determine which source caused the interrupt.

5.3.1 Special Interrupts

This microcontroller has three special interrupt sources that are always enabled: unimplemented opcode, software trap, and NMI. These interrupts are not affected by the EI (enable interrupts) and DI (disable interrupts) instructions, and they cannot be masked. All of these interrupts are serviced by the interrupt controller; they cannot be assigned to the PTS. Of these three, only NMI goes through the transition detector and priority encoder. The other two special interrupts go directly to the interrupt controller for servicing. Be aware that these interrupts are often assigned to special functions in development tools.

5.3.1.1 Unimplemented Opcode

If the CPU attempts to execute an unimplemented opcode, an indirect vector through location 2012H occurs. This prevents random software execution during hardware and software failures. The interrupt vector should contain the starting address of an error routine that will not further corrupt an already erroneous situation. The unimplemented opcode interrupt prevents other interrupts from being acknowledged until after the next instruction is executed.

5.3.1.2 Software Trap

The TRAP instruction (opcode F7H) causes an interrupt call that is vectored through location 2010H. The TRAP instruction provides a single-instruction interrupt that is useful when debugging software or generating software interrupts. The TRAP instruction prevents other interrupts from being acknowledged until after the next instruction is executed.

5.3.1.3 NMI

The external NMI pin generates a nonmaskable interrupt for implementation of critical interrupt routines. NMI has the highest priority of all the prioritized interrupts. It is passed directly from the transition detector to the priority encoder, and it vectors indirectly through location 203EH. (The NMI pin is not implemented on the 8XC196Jx. To protect against glitches, create a dummy interrupt service routine that contains a RET instruction.) The NMI pin is sampled during phase 2 (CLKOUT high) and is latched internally. Because interrupts are edge-triggered, only one interrupt is generated, even if the pin is held high. If your system does not use the NMI interrupt, connect the NMI pin to V_{SS} to prevent spurious interrupts.

5.3.2 External Interrupt Pins

The interrupt detection logic can generate an interrupt if a momentary negative glitch occurs while the input pin is held high. For this reason, interrupt inputs should normally be held low when they are inactive.

5.3.3 Multiplexed Interrupt Sources

Both the EPA_x and CAN (CA only) interrupts are generated by a group of multiplexed interrupt sources. The EPA_{4–9} and COMP_{0–1} event interrupts, the EPA_{0–9} overrun interrupts, and the timer 1 and timer 2 overflow/underflow interrupts are multiplexed into EPA_x. All CAN-controller interrupts are multiplexed into the single CAN interrupt. Generally, PTS interrupt service is not useful for multiplexed interrupts because the PTS cannot readily determine the interrupt source. Your interrupt service routine should read the EPA_PEND or EPA_PEND1 register (EPA_x) or the CAN_INT (CAN) register to determine the source of the interrupt and to ensure that no additional interrupts are pending before executing the return instruction. Chapter 10, “Event Processor Array (EPA)” and Chapter 12, “CAN Serial Communications Controller” discuss the EPA and CAN interrupts in detail.

5.3.4 End-of-PTS Interrupts

When the PTSCOUNT register decrements to zero at the end of a single transfer, block transfer, or A/D scan routine, hardware clears the corresponding bit in the PTSSSEL register, which disables PTS service for that interrupt. It also sets the corresponding PTSSRV bit, requesting an end-of-PTS interrupt. An end-of-PTS interrupt has the same priority as a corresponding standard interrupt. The interrupt controller processes it with an interrupt service routine that is stored in the memory location pointed to by the standard interrupt vector. For example, the PTS services the SIO transmit interrupt if PTSSSEL.11 is set. The interrupt vectors through 2056H, but the corresponding end-of-PTS interrupt vectors through 2036H, the standard SIO transmit interrupt vector. When the end-of-PTS interrupt vectors to the interrupt service routine, hardware clears the PTSSRV bit. The end-of-PTS interrupt service routine should reinitialize the PTSCB, if required, and set the appropriate PTSSSEL bit to re-enable PTS interrupt service.

5.4 INTERRUPT LATENCY

Interrupt latency is the total delay between the time that the interrupt request is generated (not acknowledged) and the time that the device begins executing either the standard interrupt service routine or the PTS interrupt service routine. A delay occurs between the time that the interrupt request is detected and the time that it is acknowledged. An interrupt request is acknowledged when the current instruction finishes executing. If the interrupt request occurs during one of the last four state times of the instruction, it may not be acknowledged until after the next instruction finishes. This additional delay occurs because instructions are prefetched and prepared a few state times before they are executed. Thus, the maximum delay between interrupt request and acknowledgment is four state times plus the execution time of the next instruction.

When a standard interrupt request is acknowledged, the hardware clears the interrupt pending bit and forces a call to the address contained in the corresponding interrupt vector after completing the current instruction. The procedure that gets the vector and forces the call requires 11 state times. If the stack is in external RAM, the call requires an additional two state times assuming a zero-wait-state bus.

When a PTS interrupt request is acknowledged, it immediately vectors to the PTSCB and begins executing the PTS routine.

5.4.1 Situations that Increase Interrupt Latency

If an interrupt request occurs while any of the following instructions are executing, the interrupt will not be acknowledged until after the **next** instruction is executed:

- the signed prefix opcode (FE) for the two-byte, signed multiply and divide instructions
- any of these eight *protected instructions*: DI, EI, DPTS, EPTS, POPA, POPF, PUSHA, PUSHF (see Appendix A for descriptions of these instructions)
- any of the read-modify-write instructions: AND, ANDB, OR, ORB, XOR, XORB

Both the unimplemented opcode interrupt and the software trap interrupt prevent other interrupt requests from being acknowledged until after the next instruction is executed.

Each PTS cycle within a PTS routine cannot be interrupted. A PTS cycle is the entire PTS response to a single interrupt request. In block transfer mode, a PTS cycle consists of the transfer of an entire block of bytes or words. This means a worst-case latency of 500 states if you assume a block transfer of 32 words from one external memory location to another. See Table 5-4 on page 5-10 for PTS cycle execution times.

5.4.2 Calculating Latency

The maximum latency occurs when the interrupt request occurs too late for acknowledgment following the current instruction. The following worst-case calculation assumes that the current instruction is not a protected instruction. To calculate latency, add the following terms:

- Time for the current instruction to finish execution (4 state times).
 - if this is a protected instruction, the instruction that follows it must also execute before the interrupt can be acknowledged. Add the execution time of the instruction that follows a protected instruction.
- Time for the next instruction to execute. (The longest instruction, NORML, takes 39 state times. However, the BMOV instruction could actually take longer if it is transferring a large block of data. If your code contains routines that transfer large blocks of data, you may want to use the BMOV instruction in your calculation instead of NORML. See Appendix A for instruction execution times.)
- For standard interrupts only, the response time to get the vector and force the call
 - 11 state times for an internal stack or 13 for an external stack

5.4.2.1 Standard Interrupt Latency

The worst-case delay for a standard interrupt is 56 state times (4 + 39 + 11 + 2) if the stack is in external memory. This delay time does not include the time needed to execute the first instruction in the interrupt service routine or to execute the instruction following a protected instruction. Figure 5-2 illustrates the worst-case scenario.

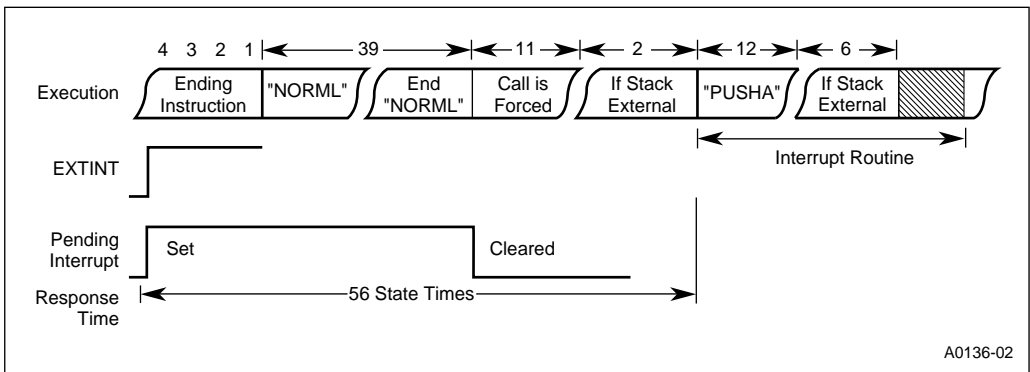


Figure 5-2. Standard Interrupt Response Time

5.4.2.2 PTS Interrupt Latency

The maximum delay for a PTS interrupt is 43 state times (4 + 39). This delay time does not include the added delay if a protected instruction is being executed or if a PTS request is already in progress. See Table 5-4 for execution times for PTS routines.

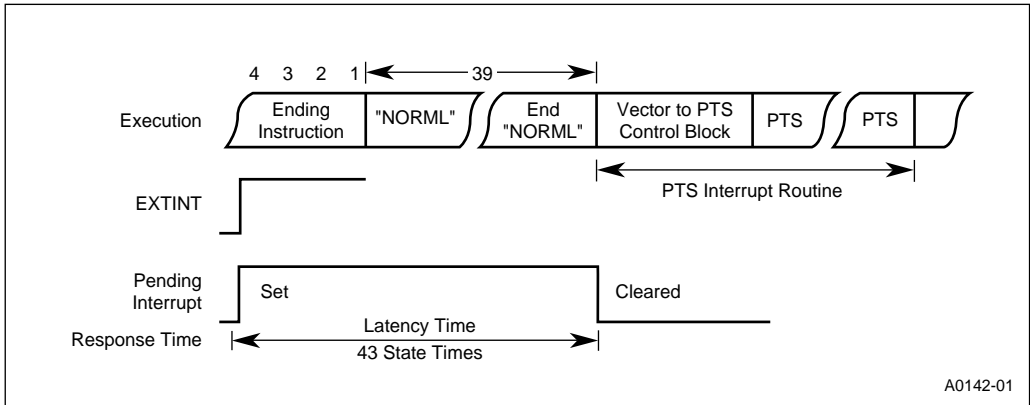


Figure 5-3. PTS Interrupt Response Time

Table 5-4. Execution Times for PTS Cycles

PTS Mode	Execution Time (in State Times)
Single transfer mode register/register [†] memory/register [†] memory/memory [†]	18 per byte or word transfer + 1 21 per byte or word transfer + 1 24 per byte or word transfer + 1
Block transfer mode register/register [†] memory/register [†] memory/memory [†]	13 + 7 per byte or word transfer (1 minimum) 16 + 7 per byte or word transfer (1 minimum) 19 + 7 per byte or word transfer (1 minimum)
A/D scan mode register/register [†] register/memory [†]	21 25
PWM remap mode	15
PWM toggle mode	15

[†] *Register* indicates an access to the register file or peripheral SFR. *Memory* indicates an access to a memory-mapped register, I/O, or memory. See Table 4-1 on page 4-2 for address information.

5.5 PROGRAMMING THE INTERRUPTS

The PTS select register (PTSSEL) selects either PTS service or a standard software interrupt service routine for each of the maskable interrupt requests (see Figure 5-4). The interrupt mask registers, INT_MASK and INT_MASK1, enable or disable (mask) individual interrupts (see Figures 5-5 and 5-6). With the exception of the nonmaskable interrupt (NMI) bit (INT_MASK1.7), setting a bit enables the corresponding interrupt source and clearing a bit disables the source.

To disable any interrupt, clear its mask bit. To enable an interrupt for standard interrupt service, set its mask bit and clear its PTS select bit. To enable an interrupt for PTS service, set both the mask bit and the PTS select bit.

Additionally, when you assign an interrupt to the PTS, you must set up a PTS control block (PTSCB) for each interrupt source (see “Initializing the PTS Control Blocks” on page 5-18) and use the EPTS instruction to globally enable the PTS. When you assign an interrupt to a standard software service routine, use the EI (enable interrupts) instruction to globally enable interrupt servicing.

NOTE

PTS routines will execute after a DI (disable interrupts) instruction, if the appropriate INT_MASK and PTSSEL bits are set. However, the end-of-PTS interrupt request will not occur. If an interrupt request occurs while interrupts are disabled, the corresponding pending bit is set in the INT_PEND or INT_PEND1 register.

5.5.1 Programming the Multiplexed Interrupts

On the 87C196CA, the CAN-controller interrupts are multiplexed into the single CAN interrupt input (INT13). Write to the CAN control register (Figure 12-6 on page 12-13) to enable or disable global CAN interrupt sources (error, status change, and individual message object) and INT_MASK1.5 to enable or disable the multiplexed CAN interrupt.

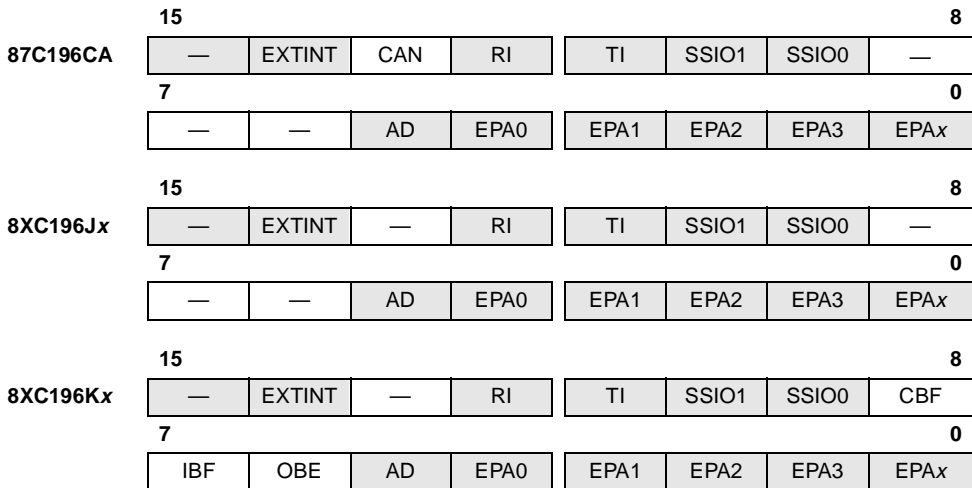
The EPA4–9 and COMP0–1 event interrupts, the EPA0–9 overrun interrupts, and the timer 1 and timer 2 overflow/underflow interrupts are multiplexed into EPAx. Write to the EPA_MASK (Figure 10-12 on page 10-27) or EPA_MASK1 (Figure 10-13 on page 10-27) registers to enable or disable the multiplexed EPA interrupt sources and INT_MASK.0 to enable or disable the EPAx interrupt.

The PTS cannot determine the source of multiplexed interrupts, so do not use it to service these interrupts when more than one multiplexed interrupt is unmasked.

PTSEL

Address: 04H
Reset State: 0000H

The PTS select (PTSEL) register selects either a PTS microcode routine or a standard interrupt service routine for each interrupt requests. Setting a bit selects a PTS microcode routine; clearing a bit selects a standard interrupt service routine. When PTSCOUNT reaches zero, hardware clears the corresponding PTSEL bit. The PTSEL bit must be set manually to re-enable the PTS channel.



Bit Number	Function																																																
14:0 (Note 1)	<p>Setting this bit causes the corresponding interrupt to be handled by a PTS microcode routine.</p> <p>The PTS interrupt vector locations are as follows:</p> <table style="width: 100%; border-collapse: collapse;"> <thead> <tr> <th style="text-align: left;">Bit Mnemonic</th> <th style="text-align: left;">Interrupt</th> <th style="text-align: left;">PTS Vector</th> </tr> </thead> <tbody> <tr> <td>EXTINT</td> <td>EXTINT pin</td> <td>205CH</td> </tr> <tr> <td>CAN (CA)†</td> <td>CAN Peripheral</td> <td>205AH</td> </tr> <tr> <td>RI</td> <td>SIO Receive</td> <td>2058H</td> </tr> <tr> <td>TI</td> <td>SIO Transmit</td> <td>2056H</td> </tr> <tr> <td>SSIO1</td> <td>SSIO 1 Transfer</td> <td>2054H</td> </tr> <tr> <td>SSIO0</td> <td>SSIO 0 Transfer</td> <td>2052H</td> </tr> <tr> <td>CBF (Kx)</td> <td>Slave Port Command Buffer Full</td> <td>2050H</td> </tr> <tr> <td>IBF (Kx)</td> <td>Slave Port Input Buffer Full</td> <td>204EH</td> </tr> <tr> <td>OBE (Kx)</td> <td>Slave Port Output Buffer Empty</td> <td>204CH</td> </tr> <tr> <td>AD</td> <td>A/D Conversion Complete</td> <td>204AH</td> </tr> <tr> <td>EPA0</td> <td>EPA Capture/Compare Channel 0</td> <td>2048H</td> </tr> <tr> <td>EPA1</td> <td>EPA Capture/Compare Channel 1</td> <td>2046H</td> </tr> <tr> <td>EPA2</td> <td>EPA Capture/Compare Channel 2</td> <td>2044H</td> </tr> <tr> <td>EPA3</td> <td>EPA Capture/Compare Channel 3</td> <td>2042H</td> </tr> <tr> <td>EPAx†</td> <td>Multiplexed EPA</td> <td>2040H</td> </tr> </tbody> </table> <p>† PTS service is not recommended because the PTS cannot determine the source of multiplexed interrupts.</p>	Bit Mnemonic	Interrupt	PTS Vector	EXTINT	EXTINT pin	205CH	CAN (CA)†	CAN Peripheral	205AH	RI	SIO Receive	2058H	TI	SIO Transmit	2056H	SSIO1	SSIO 1 Transfer	2054H	SSIO0	SSIO 0 Transfer	2052H	CBF (Kx)	Slave Port Command Buffer Full	2050H	IBF (Kx)	Slave Port Input Buffer Full	204EH	OBE (Kx)	Slave Port Output Buffer Empty	204CH	AD	A/D Conversion Complete	204AH	EPA0	EPA Capture/Compare Channel 0	2048H	EPA1	EPA Capture/Compare Channel 1	2046H	EPA2	EPA Capture/Compare Channel 2	2044H	EPA3	EPA Capture/Compare Channel 3	2042H	EPAx†	Multiplexed EPA	2040H
Bit Mnemonic	Interrupt	PTS Vector																																															
EXTINT	EXTINT pin	205CH																																															
CAN (CA)†	CAN Peripheral	205AH																																															
RI	SIO Receive	2058H																																															
TI	SIO Transmit	2056H																																															
SSIO1	SSIO 1 Transfer	2054H																																															
SSIO0	SSIO 0 Transfer	2052H																																															
CBF (Kx)	Slave Port Command Buffer Full	2050H																																															
IBF (Kx)	Slave Port Input Buffer Full	204EH																																															
OBE (Kx)	Slave Port Output Buffer Empty	204CH																																															
AD	A/D Conversion Complete	204AH																																															
EPA0	EPA Capture/Compare Channel 0	2048H																																															
EPA1	EPA Capture/Compare Channel 1	2046H																																															
EPA2	EPA Capture/Compare Channel 2	2044H																																															
EPA3	EPA Capture/Compare Channel 3	2042H																																															
EPAx†	Multiplexed EPA	2040H																																															

1. Bit 13 is reserved on the 8XC196Jx, Kx devices and bits 6–8 are reserved on the 87C196CA, 8XC196Jx devices. For compatibility with future devices, write zeros to these bits.

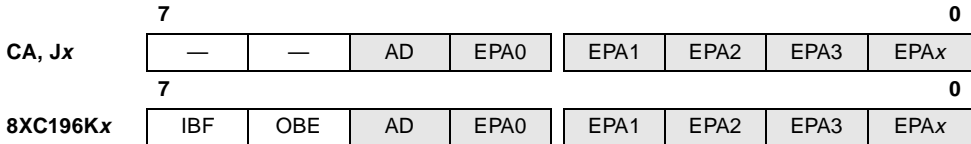
Figure 5-4. PTS Select (PTSEL) Register

INT_MASK

Address: 08H

Reset State: 00H

The interrupt mask (INT_MASK) register enables or disables (masks) individual interrupts. (The EI and DI instructions enable and disable servicing of all maskable interrupts.) INT_MASK is the low byte of the program status word (PSW). PUSHF or PUSHA saves the contents of this register onto the stack and then clears this register. Interrupt calls cannot occur immediately following this instruction. POPF or POPA restores it.



Bit Number	Function																											
7:0 [†]	<p>Setting this bit enables the corresponding interrupt.</p> <p>The standard interrupt vector locations are as follows:</p> <table border="1" style="width: 100%; border-collapse: collapse;"> <thead> <tr> <th style="text-align: left;">Bit Mnemonic</th> <th style="text-align: left;">Interrupt</th> <th style="text-align: left;">Standard Vector</th> </tr> </thead> <tbody> <tr> <td>IBF (Kx)</td> <td>Slave Port Input Buffer Full</td> <td>200EH</td> </tr> <tr> <td>OBE (Kx)</td> <td>Slave Port Output Buffer Empty</td> <td>200CH</td> </tr> <tr> <td>AD</td> <td>A/D Conversion Complete</td> <td>200AH</td> </tr> <tr> <td>EPA0</td> <td>EPA Capture/Compare Channel 0</td> <td>2008H</td> </tr> <tr> <td>EPA1</td> <td>EPA Capture/Compare Channel 1</td> <td>2006H</td> </tr> <tr> <td>EPA2</td> <td>EPA Capture/Compare Channel 2</td> <td>2004H</td> </tr> <tr> <td>EPA3</td> <td>EPA Capture/Compare Channel 3</td> <td>2002H</td> </tr> <tr> <td>EPAx^{††}</td> <td>Multiplexed EPA</td> <td>2000H</td> </tr> </tbody> </table> <p>^{††} EPA 4–9 capture/compare channel events, EPA 0–1 compare channel events, EPA 0–9 capture/compare overruns, and timer overflows can generate this multiplexed interrupt. The EPA mask and pending registers decode the EPAx interrupt. Write the EPA mask registers (EPA_MASK and EPA_MASK1) to enable the interrupt sources; read the EPA pending registers (EPA_PEND and EPA_PEND1) to determine which source caused the interrupt.</p>	Bit Mnemonic	Interrupt	Standard Vector	IBF (Kx)	Slave Port Input Buffer Full	200EH	OBE (Kx)	Slave Port Output Buffer Empty	200CH	AD	A/D Conversion Complete	200AH	EPA0	EPA Capture/Compare Channel 0	2008H	EPA1	EPA Capture/Compare Channel 1	2006H	EPA2	EPA Capture/Compare Channel 2	2004H	EPA3	EPA Capture/Compare Channel 3	2002H	EPAx ^{††}	Multiplexed EPA	2000H
Bit Mnemonic	Interrupt	Standard Vector																										
IBF (Kx)	Slave Port Input Buffer Full	200EH																										
OBE (Kx)	Slave Port Output Buffer Empty	200CH																										
AD	A/D Conversion Complete	200AH																										
EPA0	EPA Capture/Compare Channel 0	2008H																										
EPA1	EPA Capture/Compare Channel 1	2006H																										
EPA2	EPA Capture/Compare Channel 2	2004H																										
EPA3	EPA Capture/Compare Channel 3	2002H																										
EPAx ^{††}	Multiplexed EPA	2000H																										

[†] Bits 6–7 are reserved on the 87C196CA and 8XC196Jx devices. For compatibility with future devices, write zeros to these bits.

Figure 5-5. Interrupt Mask (INT_MASK) Register

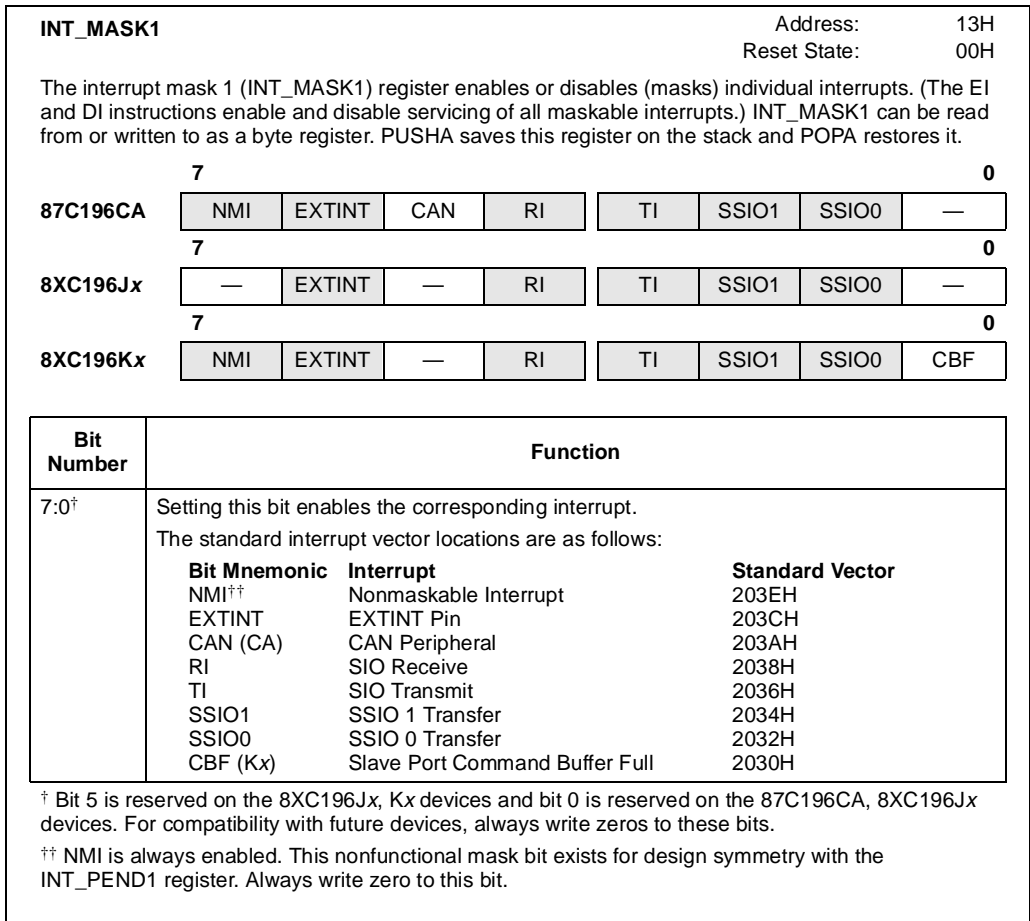


Figure 5-6. Interrupt Mask 1 (INT_MASK1) Register

5.5.2 Modifying Interrupt Priorities

The software can modify the default priorities of maskable interrupts by controlling the interrupt mask registers (INT_MASK and INT_MASK1). For example, you can specify which interrupts, if any, can interrupt an interrupt service routine. The following code shows one way to prevent all interrupts, except EXTINT (priority 14), from interrupting an SIO receive interrupt service routine (priority12).

```
SERIAL_RI_ISR:
    PUSHA                                ; Save PSW, INT_MASK, INT_MASK1, & WSR
                                        ; (this disables all interrupts)
    LDB INT_MASK1, #01000000B           ; Enable EXTINT only
    EI                                    ; Enable interrupt servicing

                                        ; Service the RI interrupt

    POPA                                  ; Restore PSW, INT_MASK, INT_MASK1, &
                                        ; WSR registers
    RET

CSEG AT 2038H                            ; fill in interrupt table
    DCW SERIAL_RI_ISR                    END
```

Note that location 2038H in the interrupt vector table must be loaded with the value of the label SERIAL_RI_ISR before the interrupt request occurs and that the receive interrupt must be enabled for this routine to execute.

This routine, like all interrupt service routines, is handled in the following manner:

1. After the hardware detects and prioritizes an interrupt request, it generates and executes an interrupt call. This pushes the program counter onto the stack and then loads it with the contents of the vector corresponding to the highest priority, pending, unmasked interrupt. The hardware will not allow another interrupt call until after the first instruction of the interrupt service routine is executed.
2. The PUSH instruction, which is now guaranteed to execute, saves the contents of the PSW, INT_MASK, INT_MASK1, and window select register (WSR) onto the stack and then clears the PSW, INT_MASK, and INT_MASK1. In addition to the arithmetic flags, the PSW contains the global interrupt enable bit (I) and the PTS enable bit (PSE). By clearing the PSW and the interrupt mask registers, PUSH effectively masks all maskable interrupts, disables standard interrupt servicing, and disables the PTS. Because PUSH is a protected instruction, it also inhibits interrupt calls until after the next instruction executes.
3. The LDB INT_MASK1 instruction enables those interrupts that you choose to allow to interrupt the service routine. In this example, only EXTINT can interrupt the receive interrupt service routine. By enabling or disabling interrupts, the software establishes its own interrupt servicing priorities.
4. The EI instruction re-enables interrupt processing and inhibits interrupt calls until after the next instruction executes.
5. The actual interrupt service routine executes within the priority structure established by the software.

6. At the end of the service routine, the POPA instruction restores the original contents of the PSW, INT_MASK, INT_MASK1, and WSR registers; any changes made to these registers during the interrupt service routine are overwritten. Because interrupt calls cannot occur immediately following a POPA instruction, the last instruction (RET) will execute before another interrupt call can occur.

Notice that the “preamble” and exit code for this routine does not save or restore register RAM. The interrupt service routine is assumed to allocate its own private set of registers from the lower register file. The general-purpose register RAM in the lower register file makes this quite practical. In addition, the RAM in the upper register file is available via *windowing* (see “Windowing” on page 4-13).

5.5.3 Determining the Source of an Interrupt

When the transition detector detects an interrupt, it sets the corresponding bit in the INT_PEND or INT_PEND1 register (Figures 5-7 and 5-8). This bit is set even if the individual interrupt is disabled (masked). The pending bit is cleared when the program vectors to the interrupt service routine. INT_PEND and INT_PEND1 can be read, to determine which interrupts are pending. They can also be modified (written), either to clear pending interrupts or to generate interrupts under software control. However, we recommend the use of the read-modify-write instructions, such as AND and OR, to modify these registers.

```

ANDB INT_PEND, #11111110B      ; Clears the EPAx interrupt
ORB  INT_PEND, #00000001B      ; Sets the EPAx interrupt

```

Other methods could result in a partial interrupt cycle. For example, an interrupt could occur during an instruction sequence that loads the contents of the interrupt pending register into a temporary register, modifies the contents of the temporary register, and then writes the contents of the temporary register back into the interrupt pending register. If the interrupt occurs during one of the last four states of the second instruction, it will not be acknowledged until after the completion of the third instruction. The third instruction overwrites the contents of the interrupt pending register, so the jump to the interrupt vector will not occur.

5.5.3.1 Determining the Source of Multiplexed Interrupts

On the 87C196CA, the CAN-controller interrupts are multiplexed into the single CAN interrupt input (INT13). The interrupt service routine associated with INT13 must read the CAN interrupt pending register (CAN_INT, Figure 12-19 on page 12-32) to determine the source of the interrupt request.

The EPA4–9 and COMP0–1 event interrupts, the EPA0–9 overrun interrupts, and the timer 1 and timer 2 overflow/underflow interrupts are multiplexed into EPA_x. The interrupt service routine associated with EPA_x must read the EPA interrupt pending registers (EPA_PEND and EPA_PEND1) to determine the source of the interrupt request (see Figure 10-14 on page 10-28 and Figure 10-15 on page 10-29).

INT_PEND	Address:	09H								
	Reset State:	00H								
<p>When hardware detects an interrupt request, it sets the corresponding bit in the interrupt pending (INT_PEND or INT_PEND1) registers. When the vector is taken, the hardware clears the pending bit. Software can generate an interrupt by setting the corresponding interrupt pending bit.</p>										
7		0								
CA, Jx	<table border="1" style="width: 100%; border-collapse: collapse;"> <tr> <td style="width: 12.5%; text-align: center;">—</td> <td style="width: 12.5%; text-align: center;">—</td> <td style="width: 12.5%; text-align: center;">AD</td> <td style="width: 12.5%; text-align: center;">EPA0</td> <td style="width: 12.5%; text-align: center;">EPA1</td> <td style="width: 12.5%; text-align: center;">EPA2</td> <td style="width: 12.5%; text-align: center;">EPA3</td> <td style="width: 12.5%; text-align: center;">EPA_x</td> </tr> </table>	—	—	AD	EPA0	EPA1	EPA2	EPA3	EPA _x	
—	—	AD	EPA0	EPA1	EPA2	EPA3	EPA _x			
7		0								
8XC196Kx	<table border="1" style="width: 100%; border-collapse: collapse;"> <tr> <td style="width: 12.5%; text-align: center;">IBF</td> <td style="width: 12.5%; text-align: center;">OBE</td> <td style="width: 12.5%; text-align: center;">AD</td> <td style="width: 12.5%; text-align: center;">EPA0</td> <td style="width: 12.5%; text-align: center;">EPA1</td> <td style="width: 12.5%; text-align: center;">EPA2</td> <td style="width: 12.5%; text-align: center;">EPA3</td> <td style="width: 12.5%; text-align: center;">EPA_x</td> </tr> </table>	IBF	OBE	AD	EPA0	EPA1	EPA2	EPA3	EPA _x	
IBF	OBE	AD	EPA0	EPA1	EPA2	EPA3	EPA _x			

Bit Number	Function																											
7:0 [†]	<p>When set, this bit indicates that the corresponding interrupt is pending. The interrupt bit is cleared when processing transfers to the corresponding interrupt vector.</p> <p>The standard interrupt vector locations are as follows:</p> <table border="1" style="width: 100%; border-collapse: collapse;"> <thead> <tr> <th style="text-align: left;">Bit Mnemonic</th> <th style="text-align: left;">Interrupt</th> <th style="text-align: left;">Standard Vector</th> </tr> </thead> <tbody> <tr> <td>IBF (K_x)</td> <td>Slave Port Input Buffer Full</td> <td>200EH</td> </tr> <tr> <td>OBE (K_x)</td> <td>Slave Port Output Buffer Empty</td> <td>200CH</td> </tr> <tr> <td>AD</td> <td>A/D Conversion Complete</td> <td>200AH</td> </tr> <tr> <td>EPA0</td> <td>EPA Capture/Compare Channel 0</td> <td>2008H</td> </tr> <tr> <td>EPA1</td> <td>EPA Capture/Compare Channel 1</td> <td>2006H</td> </tr> <tr> <td>EPA2</td> <td>EPA Capture/Compare Channel 2</td> <td>2004H</td> </tr> <tr> <td>EPA3</td> <td>EPA Capture/Compare Channel 3</td> <td>2002H</td> </tr> <tr> <td>EPA_x^{††}</td> <td>Multiplexed EPA</td> <td>2000H</td> </tr> </tbody> </table> <p>^{††} EPA 4–9 capture/compare channel events, EPA 0–1 compare channel events, EPA 0–9 capture/compare overruns, and timer overflows can generate this multiplexed interrupt. The EPA mask and pending registers decode the EPA_x interrupt. Write the EPA mask registers to enable the interrupt sources; read the EPA pending registers (EPA_PEND and EPA_PEND1) to determine which source caused the interrupt.</p>	Bit Mnemonic	Interrupt	Standard Vector	IBF (K _x)	Slave Port Input Buffer Full	200EH	OBE (K _x)	Slave Port Output Buffer Empty	200CH	AD	A/D Conversion Complete	200AH	EPA0	EPA Capture/Compare Channel 0	2008H	EPA1	EPA Capture/Compare Channel 1	2006H	EPA2	EPA Capture/Compare Channel 2	2004H	EPA3	EPA Capture/Compare Channel 3	2002H	EPA _x ^{††}	Multiplexed EPA	2000H
Bit Mnemonic	Interrupt	Standard Vector																										
IBF (K _x)	Slave Port Input Buffer Full	200EH																										
OBE (K _x)	Slave Port Output Buffer Empty	200CH																										
AD	A/D Conversion Complete	200AH																										
EPA0	EPA Capture/Compare Channel 0	2008H																										
EPA1	EPA Capture/Compare Channel 1	2006H																										
EPA2	EPA Capture/Compare Channel 2	2004H																										
EPA3	EPA Capture/Compare Channel 3	2002H																										
EPA _x ^{††}	Multiplexed EPA	2000H																										

[†] Bits 6–7 are reserved on the 87C196CA, 8XC196Jx devices. For compatibility with future devices, write zeros to these bits.

Figure 5-7. Interrupt Pending (INT_PEND) Register

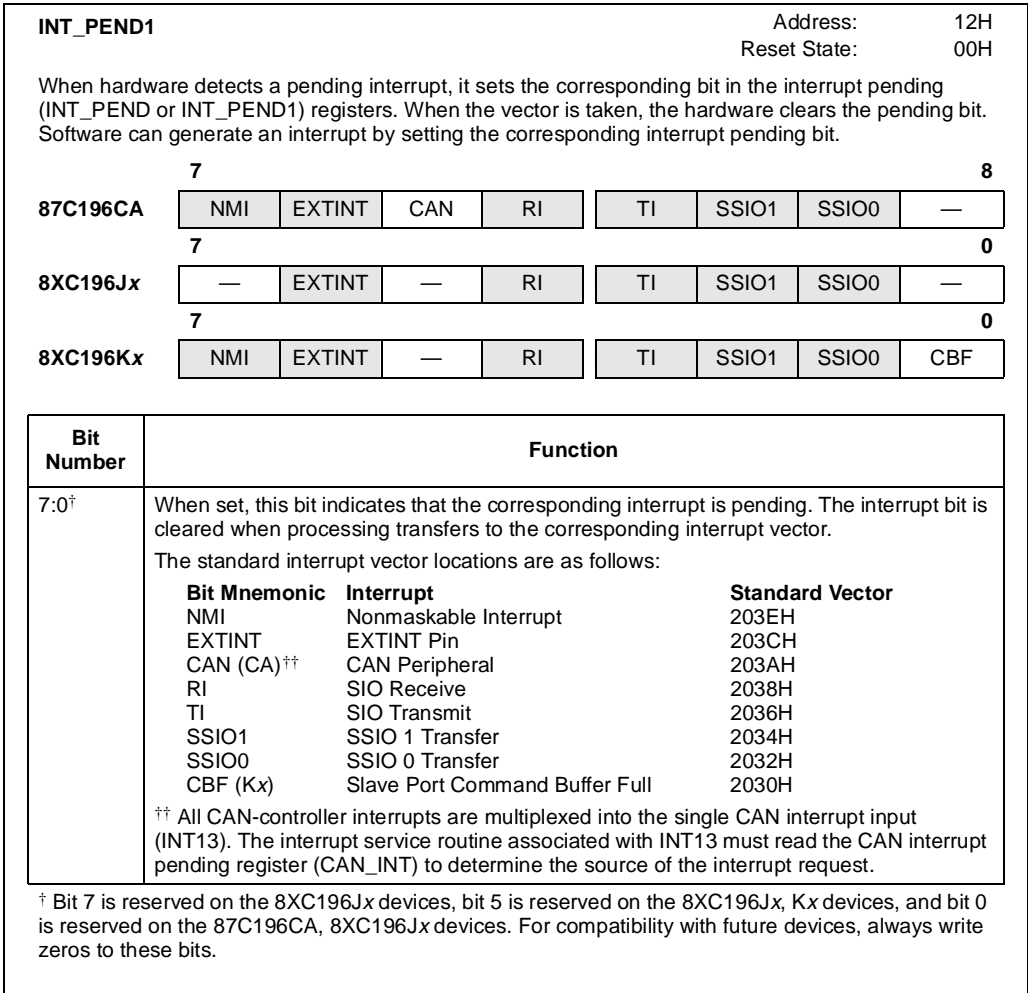


Figure 5-8. Interrupt Pending 1 (INT_PEND1) Register

5.6 INITIALIZING THE PTS CONTROL BLOCKS

Each PTS interrupt requires a block of data called the PTS control block (PTSCB). The PTSCB identifies which PTS microcode routine will be invoked and sets up the specific parameters for the routine. You must set up the PTSCB for each interrupt source **before** enabling the corresponding PTS interrupts.

Each PTS control block (PTSCB) requires eight data bytes in register RAM. The address of the first (lowest) byte is stored in the PTS vector table in special-purpose memory (see “Special-purpose Memory” on page 4-3). Figure 5-9 shows the PTSCB for each PTS mode. Unused PTSCB bytes can be used as extra RAM.

NOTE

The PTSCB must be located in register RAM. The location of the first byte of the PTSCB must be aligned on a quad-word boundary (an address evenly divisible by 8).

	Single Transfer	Block Transfer	A/D Scan Mode	PWM Toggle Mode	PWM Remap Mode
PTSVECT	Unused	Unused	Unused	PTSCONST2 (H)	Unused
	Unused	PTSBLOCK	Unused	PTSCONST2 (L)	Unused
	PTSDST(H)	PTSDST (H)	PTSPTR2 (H)	PTSCONST1 (H)	PTSCONST1 (H)
	PTSDST (L)	PTSDST (L)	PTSPTR2 (L)	PTSCONST1 (L)	PTSCONST1 (L)
	PTSSRC (H)	PTSSRC (H)	PTSPTR1 (H)	PTSPTR1 (H)	PTSPTR1 (H)
	PTSSRC (L)	PTSSRC (L)	PTSPTR1 (L)	PTSPTR1 (L)	PTSPTR1 (L)
	PTSCON	PTSCON	PTSCON	PTSCON	PTSCON
	PTSCOUNT	PTSCOUNT	PTSCOUNT	Unused	Unused

Figure 5-9. PTS Control Blocks

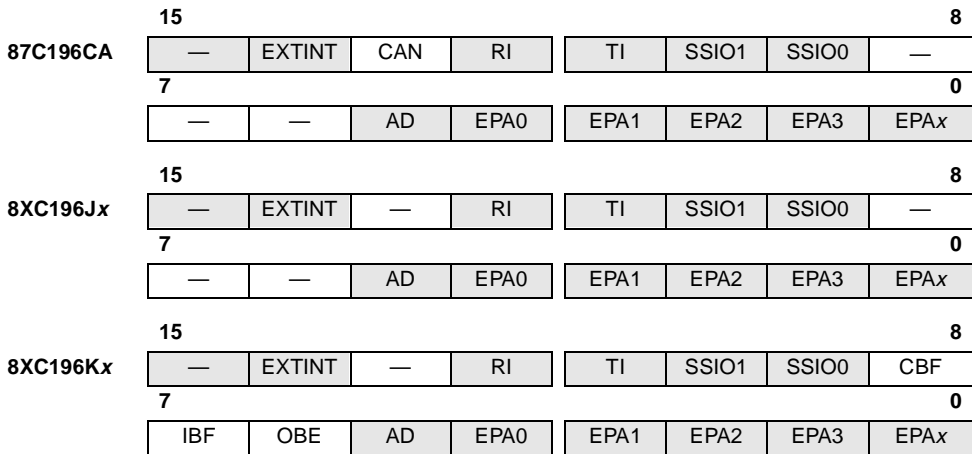
5.6.1 Specifying the PTS Count

For single transfer, block transfer, and A/D scan routines, the first location of the PTSCB contains an 8-bit value called PTSCOUNT. This value defines the number of interrupts that will be serviced by the PTS routine. The PTS decrements PTSCOUNT after each PTS cycle. When PTSCOUNT reaches zero, hardware clears the corresponding PTSSSEL bit and sets the PTSSRV bit (Figure 5-10), which requests an end-of-PTS interrupt. The end-of-PTS interrupt service routine should reinitialize the PTSCB, if required, and set the appropriate PTSSSEL bit to re-enable PTS interrupt service.

PTSSRV

Address: 06H
Reset State: 0000H

The PTS service (PTSSRV) register is used by the hardware to indicate that the final PTS interrupt has been serviced by the PTS routine. When PTSCOUNT reaches zero, hardware clears the corresponding PTSEL bit and sets the PTSSRV bit, which requests the end-of-PTS interrupt. When the end-of-PTS interrupt is called, hardware clears the PTSSRV bit. The PTSEL bit must be set manually to re-enable the PTS channel.



Bit Number	Function																																																
14:0 (Note 1)	<p>This bit is set by hardware to request an end-of-PTS interrupt for the corresponding interrupt through its standard interrupt vector.</p> <p>The standard interrupt vector locations are as follows.</p> <table border="1" style="width: 100%; border-collapse: collapse;"> <thead> <tr> <th style="text-align: left;">Bit Mnemonic</th> <th style="text-align: left;">Interrupt</th> <th style="text-align: left;">Standard Vector</th> </tr> </thead> <tbody> <tr> <td>EXTINT</td> <td>External</td> <td>203CH</td> </tr> <tr> <td>CAN (CA)</td> <td>CAN Peripheral</td> <td>203AH</td> </tr> <tr> <td>RI</td> <td>SIO Receive</td> <td>2038H</td> </tr> <tr> <td>TI</td> <td>SIO Transmit</td> <td>2036H</td> </tr> <tr> <td>SSIO1</td> <td>SSIO1 Transfer</td> <td>2034H</td> </tr> <tr> <td>SSIO0</td> <td>SSIO0 Transfer</td> <td>2032H</td> </tr> <tr> <td>CBF (Kx)</td> <td>Slave Port Command Buffer Full</td> <td>2030H</td> </tr> <tr> <td>IBF (Kx)</td> <td>Slave Port Input Buffer Full</td> <td>200EH</td> </tr> <tr> <td>OBE (Kx)</td> <td>Slave Port Output Buffer Empty</td> <td>200CH</td> </tr> <tr> <td>AD</td> <td>A/D Conversion Complete</td> <td>200AH</td> </tr> <tr> <td>EPA0</td> <td>EPA Capture/Compare Channel 0</td> <td>2008H</td> </tr> <tr> <td>EPA1</td> <td>EPA Capture/Compare Channel 1</td> <td>2006H</td> </tr> <tr> <td>EPA2</td> <td>EPA Capture/Compare Channel 2</td> <td>2004H</td> </tr> <tr> <td>EPA3</td> <td>EPA Capture/Compare Channel 3</td> <td>2002H</td> </tr> <tr> <td>EPA_x†</td> <td>Multiplexed EPA</td> <td>2000H</td> </tr> </tbody> </table> <p>† This bit is cleared when all EPA interrupt pending bits (EPA_PEND and EPA_PEND1) are cleared.</p>	Bit Mnemonic	Interrupt	Standard Vector	EXTINT	External	203CH	CAN (CA)	CAN Peripheral	203AH	RI	SIO Receive	2038H	TI	SIO Transmit	2036H	SSIO1	SSIO1 Transfer	2034H	SSIO0	SSIO0 Transfer	2032H	CBF (Kx)	Slave Port Command Buffer Full	2030H	IBF (Kx)	Slave Port Input Buffer Full	200EH	OBE (Kx)	Slave Port Output Buffer Empty	200CH	AD	A/D Conversion Complete	200AH	EPA0	EPA Capture/Compare Channel 0	2008H	EPA1	EPA Capture/Compare Channel 1	2006H	EPA2	EPA Capture/Compare Channel 2	2004H	EPA3	EPA Capture/Compare Channel 3	2002H	EPA _x †	Multiplexed EPA	2000H
Bit Mnemonic	Interrupt	Standard Vector																																															
EXTINT	External	203CH																																															
CAN (CA)	CAN Peripheral	203AH																																															
RI	SIO Receive	2038H																																															
TI	SIO Transmit	2036H																																															
SSIO1	SSIO1 Transfer	2034H																																															
SSIO0	SSIO0 Transfer	2032H																																															
CBF (Kx)	Slave Port Command Buffer Full	2030H																																															
IBF (Kx)	Slave Port Input Buffer Full	200EH																																															
OBE (Kx)	Slave Port Output Buffer Empty	200CH																																															
AD	A/D Conversion Complete	200AH																																															
EPA0	EPA Capture/Compare Channel 0	2008H																																															
EPA1	EPA Capture/Compare Channel 1	2006H																																															
EPA2	EPA Capture/Compare Channel 2	2004H																																															
EPA3	EPA Capture/Compare Channel 3	2002H																																															
EPA _x †	Multiplexed EPA	2000H																																															

1. Bit 13 is reserved on the 8XC196Jx, Kx devices and bits 6–8 are reserved on the 87C196CA, 8XC196Jx devices. For compatibility with future devices, write zeros to these bits.

Figure 5-10. PTS Service (PTSSRV) Register

5.6.2 Selecting the PTS Mode

The second byte of each PTSCB is always an 8-bit value called PTSCON. Bits 5–7 select the PTS mode (Figure 5-11). The function of bits 0–4 differ for each PTS mode. Refer to the sections that describe each routine in detail to see the function of these bits. Table 5-4 on page 5-10 lists the execution times for each PTS mode.

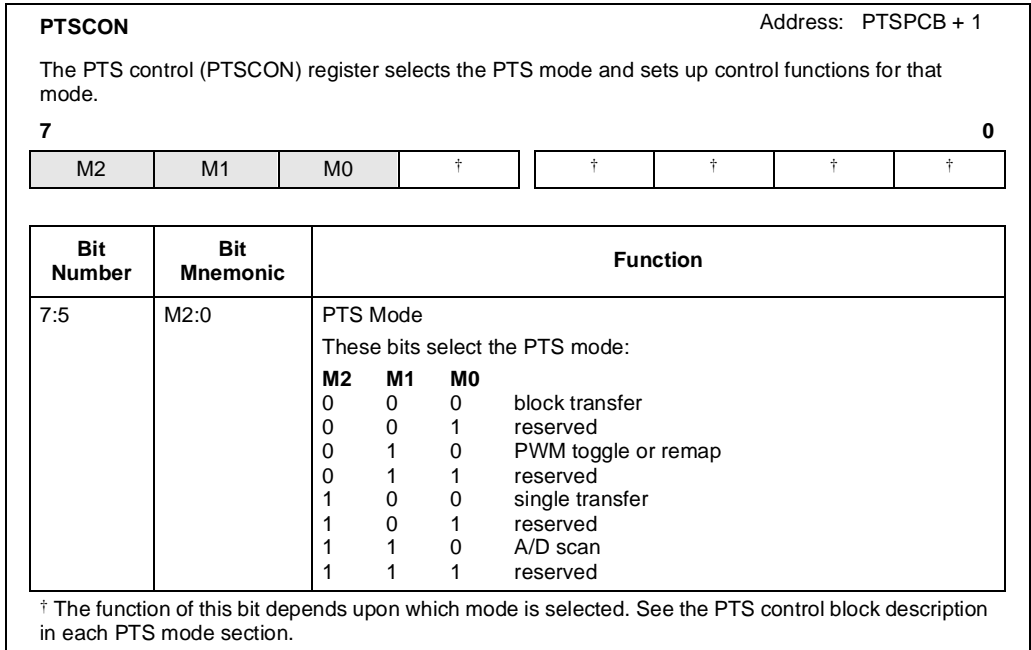


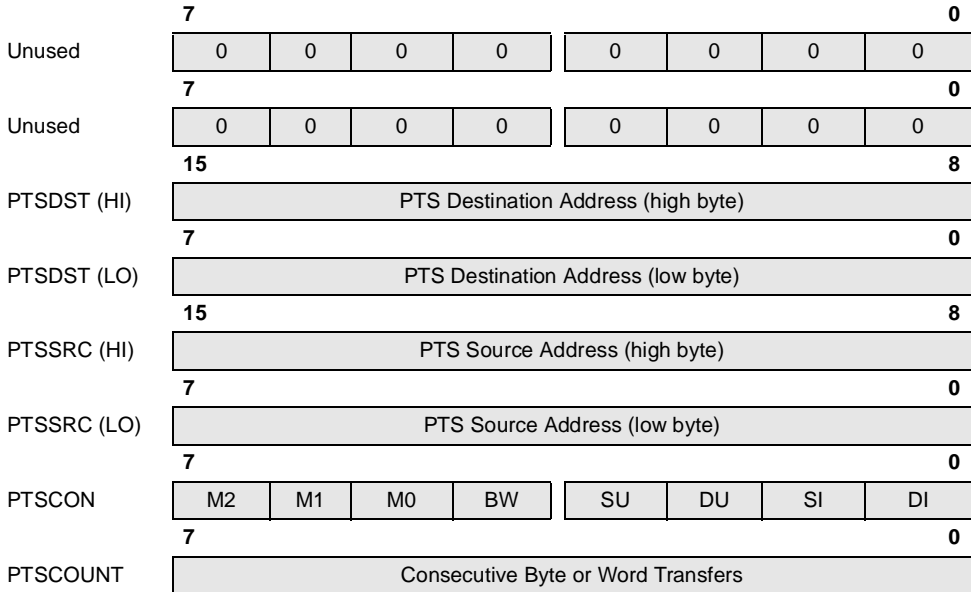
Figure 5-11. PTS Mode Selection Bits (PTSCON Bits 7:5)

5.6.3 Single Transfer Mode

In single transfer mode, an interrupt causes the PTS to transfer a single byte or word (selected by the BW bit in PTSCON) from one memory location to another. This mode is typically used with serial I/O, or synchronous serial I/O, or slave port interrupts. It can also be used with the EPA to move captured time values from the event-time register to internal RAM for further processing. See AP-445, *8XC196KR Peripherals: A User's Point of View*, for application examples with code. Figure 5-12 shows the PTS control block for single transfer mode.

PTS Single Transfer Mode Control Block

In single transfer mode, the PTS control block contains a source and destination address (PTSSRC and PTSDST), a control register (PTSCON), and a transfer count (PTSCOUNT).



Register	Location	Function
PTSDST	PTSCB + 4	PTS Destination Address Write the destination memory location to this register. A valid address is any unreserved memory location; however, it must point to an even address if word transfers are selected.
PTSSRC	PTSCB + 2	PTS Source Address Write the source memory location to this register. A valid address is any unreserved memory location; however, it must point to an even address if word transfers are selected.

Figure 5-12. PTS Control Block – Single Transfer Mode

PTS Single Transfer Mode Control Block (Continued)			
Register	Location	Function	
PTSCON	PTSCB + 1	PTS Control Bits	
		M2:0	PTS Mode M2 M1 M0 1 0 0 single transfer mode
		BW	Byte/Word Transfer 0 = word transfer 1 = byte transfer
		SU [†]	Update PTSSRC 0 = reload original PTS source address after each byte or word transfer 1 = retain current PTS source address after each byte or word transfer
		DU [†]	Update PTSDST 0 = reload original PTS destination address after each byte or word transfer 1 = retain current PTS destination address after each byte or word transfer
		SI [†]	PTSSRC Autoincrement 0 = do not increment the contents of PTSSRC 1 = increment the contents of PTSSRC after each byte or word transfer
		DI [†]	PTSDST Autoincrement 0 = do not increment the contents of PTSDST 1 = increment the contents of PTSDST after each byte or word transfer
PTSCOUNT	PTSCB + 0	Consecutive Word or Byte Transfers Defines the number of words or bytes that will be transferred during the single transfer routine. Each word or byte transfer is one PTS cycle. Maximum value is 255.	

[†] In single transfer mode, the DU and SU bits and DI and SI bits are paired. Each pair must be set or cleared together. However, the two pairs, DU/SU and DI/SI, need not be equal.

Figure 5-12. PTS Control Block – Single Transfer Mode (Continued)

The PTSCB in Table 5-5 defines nine PTS cycles. Each cycle moves a single word from location 20H to an external memory location. The PTS transfers the first word to location 6000H. Then it increments and updates the destination address and decrements the PTSCOUNT register; it does not increment the source address. When the second cycle begins, the PTS moves a second word from location 20H to location 6002H. When PTSCOUNT equals zero, the PTS will have filled locations 6000H–600FH, and an end-of-PTS interrupt is generated.

Table 5-5. Single Transfer Mode PTSCB

Unused
Unused
PTSDST (HI) = 60H
PTSDST (LO) = 00H
PTSSRC (HI) = 00H
PTSSRC (LO) = 20H
PTSCON = 85H (Mode = 100, DI & DU = 1, BW = 0)
PTSCOUNT = 09H

5.6.4 Block Transfer Mode

In block transfer mode, an interrupt causes the PTS to move a block of bytes or words from one memory location to another. See AP-445, *8XC196KR Peripherals: A User's Point of View*, for application examples with code. Figure 5-12 shows the PTS control block for block transfer modes.

In this mode, each PTS cycle consists of the transfer of an entire block of bytes or words. Because a PTS cycle cannot be interrupted, the block transfer mode can create long interrupt latency. The worst-case latency could be as high as 500 states, if you assume a block transfer of 32 words from one external memory location to another, using an 8-bit bus with no wait states. See Table 5-4 on page 5-10 for execution times of PTS routines.

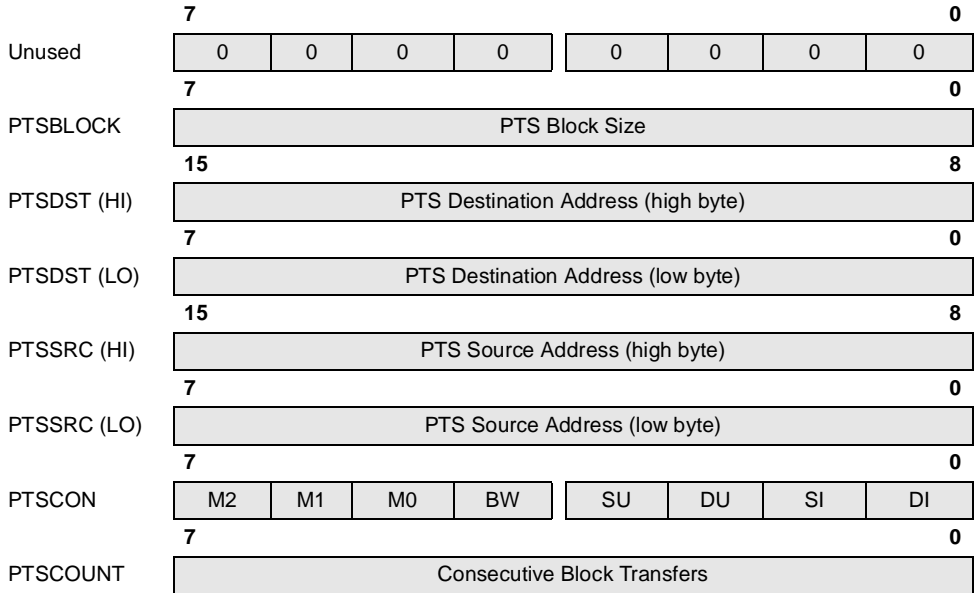
The PTSCB in Table 5-6 sets up three PTS cycles that will transfer five bytes from memory locations 20H–24H to 6000H–6004H (cycle 1), 6005H–6009H (cycle 2), and 600AH–600EH (cycle 3). The source and destination are incremented after each byte transfer, but the original source address is reloaded into PTSSRC at the end of each block-transfer cycle. In this routine, the PTS always gets the first byte from location 20H.

Table 5-6. Block Transfer Mode PTSCB

Unused
PTSCOUNT = 05H
PTSDST (HI) = 60H
PTSDST (LO) = 00H
PTSSRC (HI) = 00H
PTSSRC (LO) = 20H
PTSCON = 17H (Mode = 000; DI, SI, DU, BW = 1; SU = 0)
PTSCOUNT = 03H

PTS Block Transfer Mode Control Block

In block transfer mode, the PTS control block contains a block size (PTSBLOCK), a source and destination address (PTSSRC and PTSDST), a control register (PTSCON), and a transfer count (PTSCOUNT).



Register	Location	Function
PTSBLOCK	PTSCB + 6	PTS Block Size Specifies the number of bytes or words in each block. Valid values are 1–32, inclusive.
PTSDST	PTSCB + 4	PTS Destination Address Write the destination memory location to this register. A valid address is any unreserved memory location; however, it must point to an even address if word transfers are selected.
PTSSRC	PTSCB + 2	PTS Source Address Write the source memory location to this register. A valid address is any unreserved memory location; however, it must point to an even address if word transfers are selected.

Figure 5-13. PTS Control Block – Block Transfer Mode

PTS Block Transfer Mode Control Block (Continued)			
Register	Location	Function	
PTSCON	PTSCB + 1	PTS Control Bits	
		M2:0	PTS Mode These bits select the PTS mode: M2 M1 M0 0 0 0 block transfer mode
		BW	Byte/Word Transfer 0 = word transfer 1 = byte transfer
		SU	Update PTSSRC 0 = reload original PTS source address after each block transfer is complete 1 = retain current PTS source address after each block transfer is complete
		DU	Update PTSDST 0 = reload original PTS destination address after each block transfer is complete 1 = retain current PTS destination address after each block transfer is complete
		SI	PTSSRC Autoincrement 0 = do not increment the contents of PTSSRC 1 = increment the contents of PTSSRC after each byte or word transfer
		DI	PTSDST Autoincrement 0 = do not increment the contents of PTSDST 1 = increment the contents of PTSDST after each byte or word transfer
PTSCOUNT	PTSCB + 0	Consecutive Block Transfers Defines the number of blocks that will be transferred during the block transfer routine. Each block transfer is one PTS cycle. Maximum number is 255.	

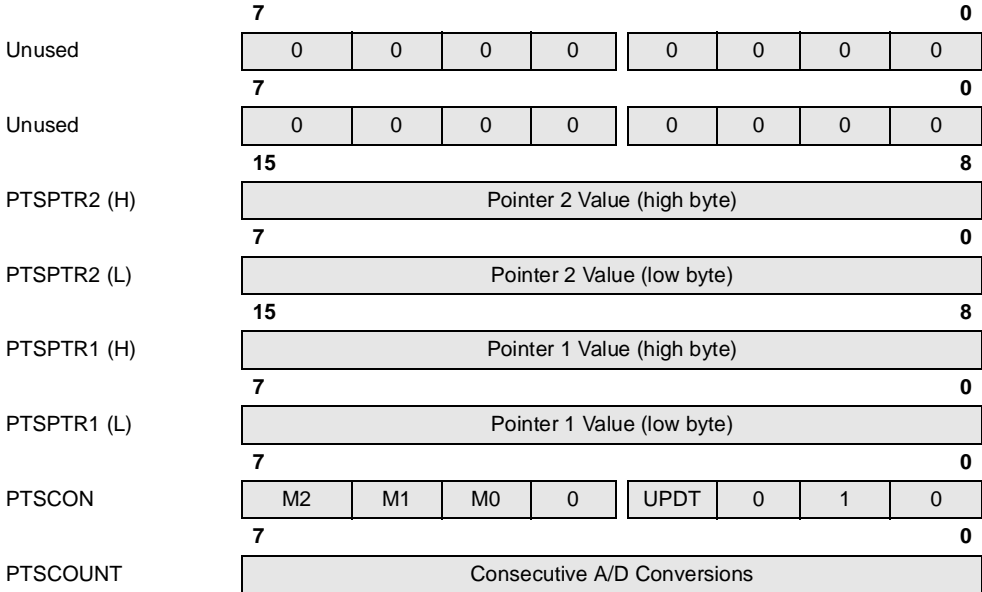
Figure 5-13. PTS Control Block – Block Transfer Mode (Continued)

5.6.5 A/D Scan Mode

In the A/D scan mode, the PTS causes the A/D converter to perform multiple conversions on one or more channels and then stores the results in a table in memory. Figure 5-14 shows the PTS control block for A/D scan mode.

PTS A/D Scan Mode Control Block

In A/D scan mode, the PTS causes the A/D converter to perform multiple conversions on one or more channels and then stores the results. The control block contains pointers to both the AD_RESULT register and a table of A/D conversion commands and results (PTSPTR1 and PTSPTR2), a control register (PTSCON), and a A/D conversion count (PTSCOUNT).



Register	Location	Function	
PTSPTR2	PTSCB + 4	Pointer 2 Value This register contains the address of the A/D result register (AD_RESULT).	
PTSPTR1	PTSCB + 2	Pointer 1 Value This register contains the address of the table of A/D conversion commands and results.	
PTSCON	PTSCB + 1	PTS Control Bits	
		M2:0	PTS Mode These bits specify the PTS mode: M2 M1 M0 1 1 0 A/D Scan Mode
		UPDT	Update 0 = reload original PTSPTR1 value after each A/D scan 1 = retain current PTSPTR1 value after each A/D scan

Figure 5-14. PTS Control Block – A/D Scan Mode

PTS A/D Scan Mode Control Block (Continued)		
PTSCOUNT	PTSCB + 0	Consecutive A/D Conversions Defines the number of A/D conversions that will be completed during the A/D scan routine. Each cycle consists of the PTS transferring the A/D conversion results into the command/data table, and then loading a new command into the AD_COMMAND register. Maximum number is 255.

Figure 5-14. PTS Control Block – A/D Scan Mode (Continued)

To use the A/D scan mode, you must first set up a command/data table in memory (Table 5-7). The command/data table contains A/D commands that are interleaved with blank memory locations. The PTS stores the conversion results in these blank locations. Only the amount of available memory limits the table size; it can reside in internal or external RAM.

Table 5-7. A/D Scan Mode Command/Data Table

XXX + 0AH	A/D Result 2	
XXX + 8H	Unused	A/D Command 3 [†]
XXX + 6H	A/D Result 1	
XXX + 4H	Unused	A/D Command 2
XXX + 2H	A/D Result 0 ^{††}	
XXX	Unused	A/D Command 1

[†] Write 0000H to prevent a new conversion at the end of the routine.

^{††} Result of the A/D conversion that initiated the PTS routine.

To initiate A/D scan mode, enable the A/D conversion complete interrupt and assign it to the PTS. Software must initiate the first conversion. When the A/D finishes the first conversion and generates an A/D conversion complete interrupt, the interrupt vectors to the PTSCB and initiates the A/D scan routine. The PTS stores the conversion results, loads a new command into AD_COMMAND, and then decrements the number in PTSCOUNT. As each additional conversion complete interrupt occurs, the PTS repeats the A/D scan cycle; it stores the conversion results, loads the next conversion command into the AD_COMMAND register, and decrements PTSCOUNT. The routine continues until PTSCOUNT decrements to zero. When this occurs, hardware clears the enable bit in the PTSSSEL register, which disables PTS service, and sets the PTSSRV bit, which requests an end-of-PTS interrupt. The interrupt service routine could process the conversion results and then re-enable PTS service for the A/D conversion complete interrupt. Because the lower six bits of the AD_RESULT register contain status information, the end-of-PTS interrupt service routine could shift the results data to the right six times to leave only the conversion results in the memory locations. See AP-445, *8XC196KR Peripherals: A User's Point of View*, for application examples with code.

5.6.5.1 A/D Scan Mode Cycles

Software must start the first A/D conversion. After the A/D conversion complete interrupt initiates the PTS routine, the following actions occur.

1. The PTS reads the first command, stores it in a temporary location, and increments the PTSPTR1 register twice. PTSPTR1 now points to the first blank location in the command/data table (address XXXX + 2).
2. The PTS reads the AD_RESULT register, stores the results of the first conversion into location XXXX + 2 in the command/data table, and increments the PTSPTR1 register twice. PTSPTR1 now points to XXXX + 4.
3. The PTS loads the command from the temporary location into the AD_COMMAND register. This completes the first A/D scan cycle and initiates the next A/D conversion.
4. If UPDT (PTSCON.3) is clear, the original address is reloaded into the PTSPTR1 register. The next cycle will use the same command and overwrite previous data. If UPDT is set, the updated address remains in PTSPTR1 and the next cycle will use a new command and store the conversion results at the new address.
5. PTSCOUNT is decremented and the CPU returns to regular program execution. When the next A/D conversion complete interrupt occurs, the cycle repeats. When PTSCOUNT reaches zero, hardware clears the corresponding PTSSSEL bit and sets the PTSSRV bit, which requests the end-of-PTS interrupt.

5.6.5.2 A/D Scan Mode Example 1

The command/data table shown in Table 5-8 sets up a series of A/D conversions, beginning with channel 7 and ending with channel 4. Each table entry is a word (two bytes). Table 5-9 shows the corresponding PTSCB.

Software starts a conversion on channel 7. Upon completion of the conversion, the A/D conversion complete interrupt initiates the A/D scan mode routine. Step 1 stores the channel 6 command in a temporary location and increments PTSPTR1 to 3002H. Step 2 stores the result of the channel 7 conversion in location 3002H and increments PTSPTR1 to 3004H. Step 3 loads the channel 6 command from the temporary location into the AD_COMMAND register to start the next con-

version. Step 4 updates PTSPTR1 (PTSPTR1 now points to 3004H) and step 5 decrements PTSCOUNT to 3. The next cycle begins by storing the channel 5 command in the temporary location. During the last cycle (PTSCOUNT = 1), the dummy command is loaded into the AD_COMMAND register and no conversion is performed. PTSCOUNT is decremented to zero and the end-of-PTS interrupt is requested.

Table 5-8. Command/Data Table (Example 1)

Address	Contents
300EH	AD_RESULT for ACH4
300CH	0000H (Dummy command)
300AH	AD_RESULT for ACH5
3008H	AD_COMMAND for ACH4
3006H	AD_RESULT for ACH6
3004H	AD_COMMAND for ACH5
3002H	AD_RESULT for ACH7
3000H	AD_COMMAND for ACH6

Table 5-9. A/D Scan Mode PTSCB (Example 1)

Unused
Unused
PTSPTR2 (HI) = 1FH
PTSPTR2 (LO) = AAH
PTSPTR1 (HI) = 30H
PTSPTR1 (LO) = 00H
PTSCON = CBH (Mode = 110, UPDT = 1)
PTSCOUNT = 04H

5.6.5.3 A/D Scan Mode Example 2

Table 5-11 sets up a series of ten PTS cycles, each of which reads a single A/D channel and stores the result in a single location (3002H). The UPDT bit (PTSCON.3) is cleared so that original contents of PTSPTR1 are restored after the cycle. The command/data table is shown in Table 5-10.

Table 5-10. Command/Data Table (Example 2)

Address	Contents
3002H	AD_RESULT for ACHx
3000H	AD_COMMAND for ACHx

Table 5-11. A/D Scan Mode PTSCB (Example 2)

Unused
Unused
PTSPTR2 (HI) = 1FH
PTSPTR2 (LO) = AAH
PTSPTR1 (HI) = 30H
PTSPTR1 (LO) = 00H
PTSCON = C3H (Mode = 110, UPDT = 0)
PTSCOUNT = 0AH

Software starts a conversion on channel *x*. When the conversion is finished and the A/D conversion complete interrupt is generated, the A/D scan mode routine begins. The PTS reads the command in location 3000H and stores it in a temporary location. Then it increments PTSPTR1 twice and stores the value of the AD_RESULT register in location 3002H. The final step is to copy the conversion command from the temporary location to the AD_COMMAND register. The CPU could process or move the conversion results data from the table before the next conversion completes and a new PTS cycle begins. When the next cycle begins, PTSPTR1 again points to 3000H and the repeats the events of the first cycle. The value of the AD_RESULT register is written to location 3002H and the command at location 3000H is re-executed.

5.6.6 PWM Modes

The PWM toggle and PWM remap modes are designed for use with the event processor array (EPA) to generate pulse-width modulated (PWM) output signals. These modes can also be used with an interrupt signal from any other source. The PWM toggle mode uses a single EPA channel to generate a PWM signal. The PWM remap mode uses two EPA channels, but it can generate signals with duty cycles closer to 0% or 100% than are possible with the PWM toggle mode. Table 5-12 compares the two PWM modes. For code examples, see AP-445, *8XC196KR Peripherals: A User’s Point of View* and “EPA PWM Output Program” on page 10-35.

Table 5-12. Comparison of PWM Modes

PWM Toggle Mode	PWM Remap Mode
Reads the location specified by PTSPTR1 (usually EPA _x _TIME).	Reads the location specified by PTSPTR1 (usually EPA _x _TIME).
Adds one of two values to the location specified by PTSPTR1. If TBIT is clear, it adds the value in PTSCONST1. If TBIT is set, it adds the value in PTSCONST2.	Adds the value in PTSCONST1 to the location specified by PTSPTR1.
Stores the sum back into the location specified by PTSPTR1.	Stores the sum back into the location specified by PTSPTR1.
Toggles TBIT.	Toggles the unused TBIT.

Figure 5-15 illustrates a generic PWM waveform. The time the output is “on” is $T1$; the time the output is “off” is $T2 - T1$. The formulas for frequency and duty cycle are shown below. In most applications, the frequency is held constant and the duty cycle is varied to change the average value of the waveform.

$$\text{Frequency, in Hertz} = \frac{1}{T2}$$

$$\text{Duty Cycle} = \frac{T1}{T2} \times 100\%$$

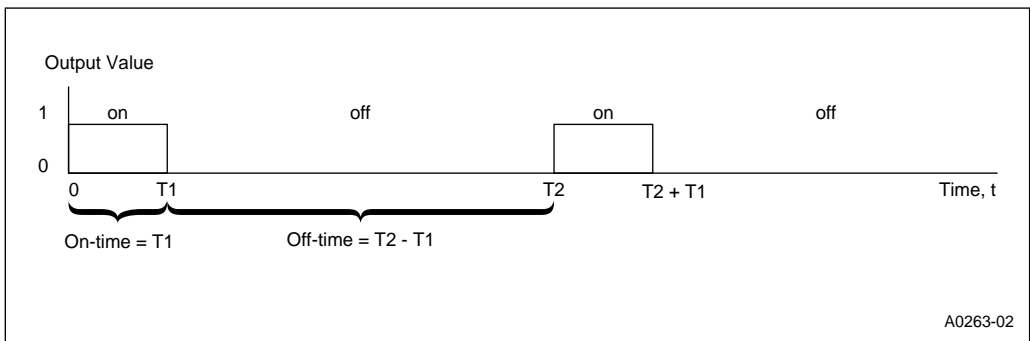


Figure 5-15. A Generic PWM Waveform

The PWM modes do not use a PTSCOUNT register to specify the number of consecutive PTS cycles. To stop producing the PWM output, clear the PTSSEL. x bit to disable PTS service for the interrupt and reconfigure the EPA channel in the interrupt service routine.

5.6.6.1 PWM Toggle Mode Example

Figure 5-16 shows the PTS control block for PWM toggle mode. To generate a PWM waveform using PWM toggle mode and EPA0, complete the following procedure. This example uses the values stored in CSTORE1 and CSTORE2 to control the frequency and duty cycle of a PWM.

1. Disable the interrupts and the PTS. The DI instruction disables all standard interrupts; the DPTS instruction disables the PTS.
2. Store the on-time ($T1$) in CSTORE1.
3. Store the off-time ($T2 - T1$) in CSTORE2.

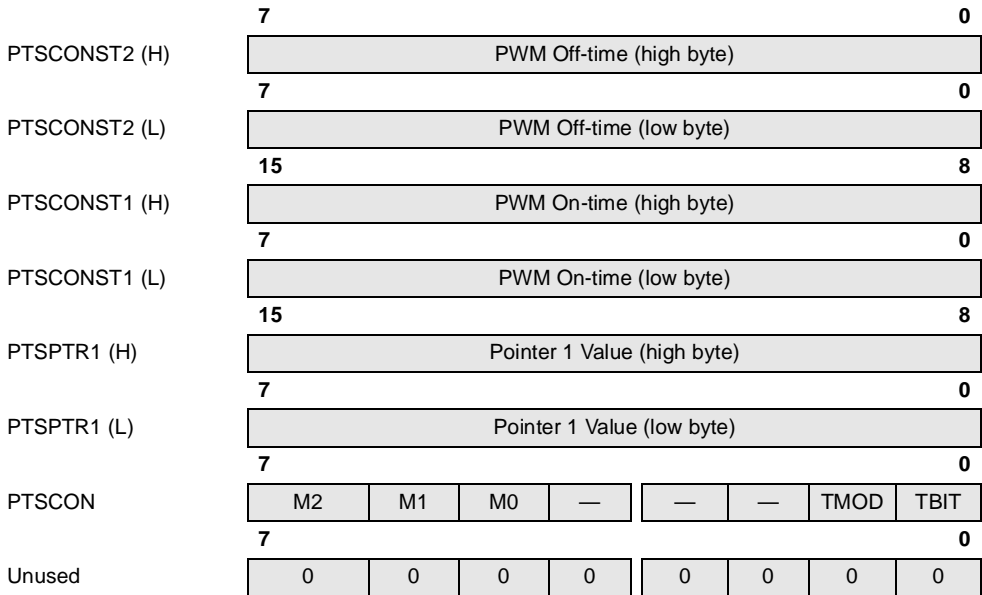
4. Set up the PTSCB as shown in Table 5-13:
 - Load PTSCON with 43H (selects PWM toggle mode, initial TBIT value = 1)
 - Set up PTSPTR1 to point to EPA0_TIME (the EPA0 event-time register)
 - Load PTSCONST1 with the on-time (T1) from CSTORE1.
 - Load PTSCONST2 with the off-time (T2 – T1) from CSTORE2.
5. Configure P1.0 to serve as the EPA0 output:
 - Clear P1_DIR.0 (selects output)
 - Set P1_MODE.0 (selects the EPA0 special-function signal)
 - Set P1_REG.0 (initializes the output to “1”)
6. Set up EPA0:
 - Load EPA0_CON with 0078H (timer 1, compare, toggle output pin, re-enable)
 - Load EPA0_TIME with the value in PTSCONST1 (selects T1 as first event time)
 - Load T1CONTROL with C2H (enables timer 1, selects up counting at F_{OSC}/4, and enables the divide-by-four prescaler)
7. Enable the EPA0 interrupt and select PTS service for it:
 - Set INT_MASK.4
 - Set PTSSEL.4
8. Enable the interrupts and the PTS. The EI instruction enables interrupts; the EPTS instruction enables the PTS.

Table 5-13. PWM Toggle Mode PTSCB

PTSCONST2 (HI) = T2 – T1 (HI)
PTSCONST2 (LO) = T2 – T1 (LO)
PTSCONST1 (HI) = T1 (HI)
PTSCONST1 (LO) = T1 (LO)
PTSPTR1 (HI) = 1FH
PTSPTR1 (LO) = 62H
PTSCON = 43H (Mode = 010, TMOD = 1, TBIT = 1)
Unused

PTS PWM Toggle Mode Control Block

In PWM toggle mode, the PTS uses a single EPA channel to generate a pulse-width modulated (PWM) output signal. The control block contains registers that contain the PWM on-time (PTSCONST1), the PWM off-time (PTSCONST2), the address pointer (PTSPTR1), and a control register (PTSCON).



Register	Location	Function
PTSCONST2	PTSCB + 6	PWM Off-time Write the desired PWM off-time to these bits.
PTSCONST1	PTSCB + 4	PWM On-time Write the desired PWM on-time to these bits.
PTSPTR1	PTSCB + 2	Pointer 1 Value These bits point to a memory location, usually EPAx_TIME.

Figure 5-16. PTS Control Block – PWM Toggle Mode

PTS PWM Toggle Mode Control Block (Continued)			
Register	Location	Function	
PTSCON	PTSCB + 1	PTS Control Bits	
		M2:0	PTS Mode These bits specify the PTS mode: M2 M1 M0 0 1 0 PWM
		TMOD	Toggle Mode Select 1 = PWM toggle mode
		TBIT	Toggle Bit Initial Value Determines the initial value of TBIT. 0 = selects initial value as zero 1 = selects initial value as one The TBIT value determines whether PTSCONST1 or PTSCONST2 is added to the PTSPTR1 value: 0 = PTSCONST1 is added to PTSPTR1 1 = PTSCONST2 is added to PTSPTR1 Reading this bit returns the current value of TBIT, which is toggled by hardware at the end of each PWM toggle cycle.

Figure 5-16. PTS Control Block – PWM Toggle Mode (Continued)

Figure 5-17 is a flow diagram of the EPA and PTS operations for this example. Operation begins when the timer is enabled (at $t = 0$ in Figure 5-15 on page 5-32) by the write to T1CONTROL. The first timer match occurs at $t = T1$. The EPA toggles the output pin to zero and generates an interrupt to initiate the first PTS cycle.

PWM Toggle Cycle 1. Because TBIT is initialized to one, the PTS adds the off-time ($T2 - T1$) to EPA0_TIME and toggles TBIT to zero.

The second timer match occurs at $t = T2$ (the end of one complete PWM pulse). The EPA toggles the output to one and generates an interrupt to initiate the second PTS cycle.

PWM Toggle Cycle 2. Because TBIT is zero, the PTS adds the on-time ($T1$) to EPA0_TIME and toggles the TBIT to one.

The next timer match occurs at $t = T2 + T1$. The EPA toggles the output to zero and initiates the third PTS cycle. The PTS actions are the same as in cycle 1, and generation of the PWM output continues with PTS cycle 1 and cycle 2 alternating.

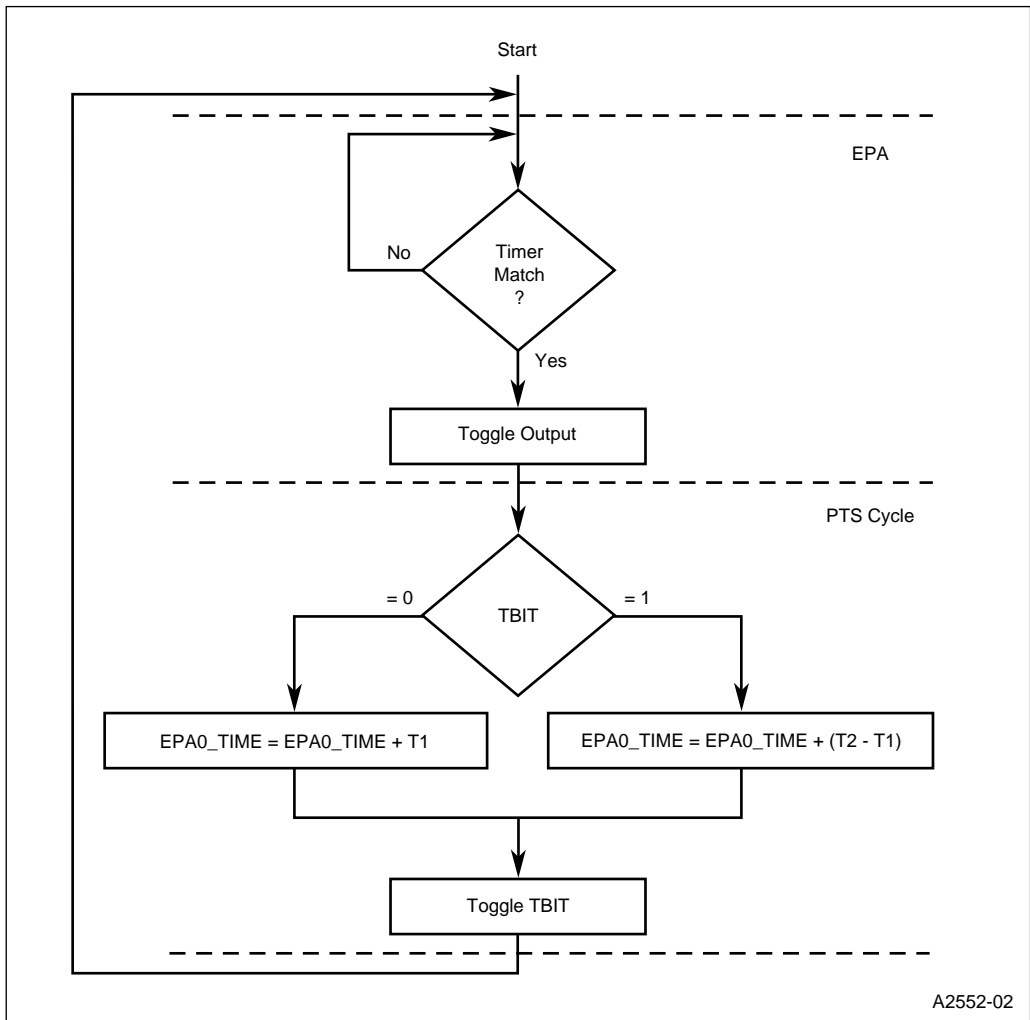


Figure 5-17. EPA and PTS Operations for the PWM Toggle Mode Example

Software can change the duty cycle during the PWM operation. When a duty cycle change is required, the program writes new values of $T1$ and $T2 - T1$ to $CSTORE1$ and $CSTORE2$ and selects normal interrupt service for the next $EPA0$ interrupt. When the next timer match occurs, the output is toggled, and the device executes a normal interrupt service routine, which performs these operations:

1. The routine writes the new value of $T1$ (in $CSTORE1$) to $PTSCONST1$ and the new value of $T1 - T2$ (in $CSTORE2$) to $PTSCONST2$.
2. It selects PTS service for the $EPA0$ interrupt.

When the next timer match occurs, the PTS cycle (Figure 5-17) increments EPA0_TIME by T1 (if TBIT is zero (output = 0)) or T2 – T1 (if TBIT is one (output = 1)). (Note that although the values of the EPA0 output and TBIT are the same in this example, these two values are unrelated. To establish the initial value of the output, set or clear P1_REG.x.)

The PWM toggle mode has the advantage of using only one EPA channel. However, if the waveform edges are close together, the PTS may take too long and miss setting up the next edge. The PWM remap mode uses two EPA channels to eliminate this problem.

5.6.6.2 PWM Remap Mode Example

Figure 5-18 shows the PTS control block for PWM remap mode. This example uses two EPA channels and a single timer to generate a PWM waveform in PWM remap mode. EPA0 sets the output, and EPA1 clears it. For each channel, an interrupt is generated every T2 period, but the comparison times for the channels are offset by the on-time, T1 (see Figure 5-15 on page 5-32). Although TBIT is toggled at the end of every PWM remap mode cycle (see Table 5-12 on page 5-31), it plays no role in this mode. To generate a PWM waveform, follow this procedure.

1. Disable the interrupts and the PTS. The DI instruction disables all interrupts; the DPTS instruction disables the PTS.
2. Set up one PTSCB for EPA0 and one for EPA1 as shown in Table 5-14. Note that the two blocks are identical, except that PTSPTR1 points to EPA0_TIME for EPA0 and to EPA1_TIME for EPA1.
3. Configure P1.1 to serve as the EPA1 output. (Because EPA0 is not used as an output, port pin P1.0 can be used for standard I/O.)
 - Clear P1_DIR.1 (selects output)
 - Set P1_MODE.1 (selects the EPA0 special-function signal)
 - Set P1_REG.1 (initializes the output to “1”)

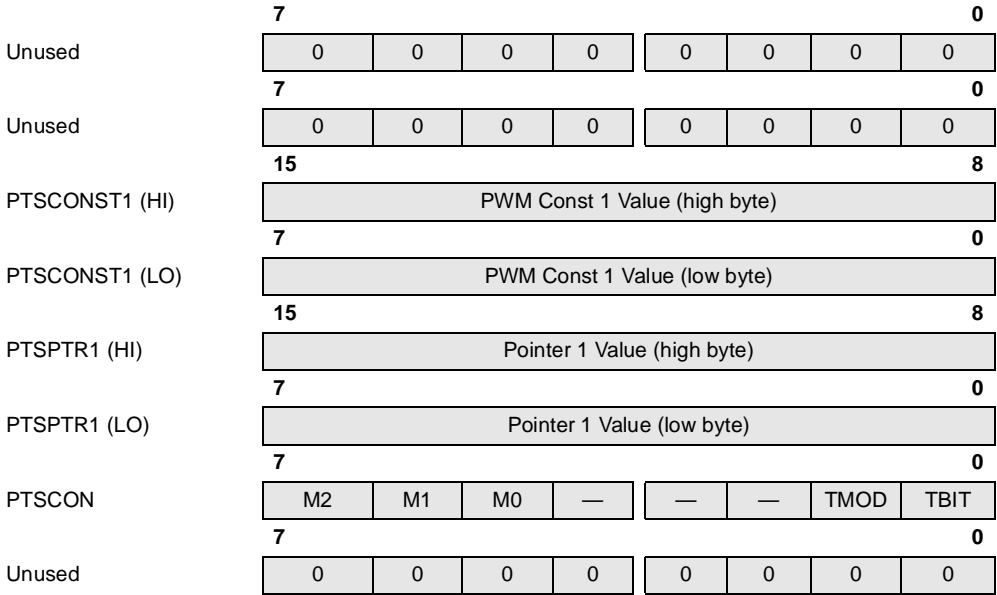
Table 5-14. PWM Remap Mode PTSCB

PTSCB0 for EPA0	PTSCB1 for EPA1
Unused	Unused
Unused	Unused
PTSCONST1 (HI) = T2 (HI)	PTSCONST1 (HI) = T2 (HI)
PTSCONST1 (LO) = T2 (LO)	PTSCONST1 (LO) = T2 (LO)
PTSPTR1 (HI) = 1FH (EPA0_TIME, HI)	PTSPTR1 (HI) = 1FH (EPA1_TIME, HI)
PTSPTR1 (LO) = 62H (EPA0_TIME, LO)	PTSPTR1 (LO) = 66H (EPA1_TIME, LO)
PTSCON = 40H (Mode = 010, TMOD = 0)	PTSCON = 40H (Mode = 010, TMOD = 0)
Unused	Unused

4. Set up EPA0 and EPA1:
 - Load EPA0_CON with 68H (timer 1, compare mode, set output pin, re-enable).
 - Load EPA1_CON with 158H (timer 1, compare mode, clear output pin, re-enable, remap enabled).
 - Load EPA0_TIME with 0000H (selects time 0 as first event time for EPA0).
 - Load EPA1_TIME with the value of T1 (selects time T1 as first event time for EPA1).
 - Load timer 1 with FFFFH to ensure that the EPA0 event time ($t = 0$) is matched first.
 - Load T1CONTROL with C2H (enables timer 1, selects up-counting at $F_{OSC}/4$, and enables the divide-by-four prescaler).
5. Enable the EPA0 and EPA1 interrupts and select PTS service for them:
 - Set INT_MASK.4 and INT_MASK.3.
 - Set PTSSEL.4 and PTSSEL.3
6. Enable the interrupts and the PTS. The EI instruction enables interrupts; the EPTS instruction enables the PTS.

PTS PWM Remap Mode Control Block

In PWM remap mode, the PTS uses two EPA channels to generate a pulse-width modulated (PWM) output signal. The control block contains registers that contain the PWM on-time (PTSCONST1), the address pointer (PTSPTR1), and a control register (PTSCON).



Register	Location	Function
PTSCONST1	PTSCB + 4	PWM Const 1 Value Write the desired PWM on-time to these bits.
PTSPTR1	PTSCB + 2	Pointer 1 Value These bits point to a memory location, usually EPA _x _TIME.

Figure 5-18. PTS Control Block – PWM Remap Mode

PTS PWM Remap Mode Control Block (Continued)			
Register	Location	Function	
PTSCON	PTSCB + 1	PTS Control Bits	
		M2:0	PTS Mode These bits specify the PTS mode: M2 M1 M0 0 1 0 PWM
		TMOD	Remap Mode Select 0 = PWM remap mode
		TBIT	Toggle Bit Initial Value Determines the initial value of TBIT. 1 = selects initial value as one 0 = selects initial value as zero The TBIT value determines whether PTSCONST1 or PTSCONST2 is added to the PTSPTR1 value: 1 = PTSCONST2 is added to PTSPTR1 0 = PTSCONST1 is added to PTSPTR1 Reading this bit returns the current value of TBIT, which is toggled by hardware at the end of each PWM remap cycle. In PWM remap mode, the TBIT value is not used; PTSCONST1 is always added to the PTSPTR1 value. However, the unused TBIT still toggles at the end of each PWM remap cycle.

Figure 5-18. PTS Control Block – PWM Remap Mode (Continued)

Figure 5-19 shows the EPA and PTS operations for this example. The first timer match occurs at $t = 0$ for EPA0, which sets the output and generates an interrupt.

PWM Remap Cycle 1. The PTS adds T2 to EPA0_TIME and toggles the TBIT.

The output remains set until the second timer match occurs at T1 for EPA1, which clears the output and generates an interrupt.

PWM Remap Cycle 2. The PTS adds T2 to EPA1_TIME and toggles the TBIT.

Alternating EPA0 and EPA1 interrupts continue, with EPA0 setting the output and EPA1 clearing it.

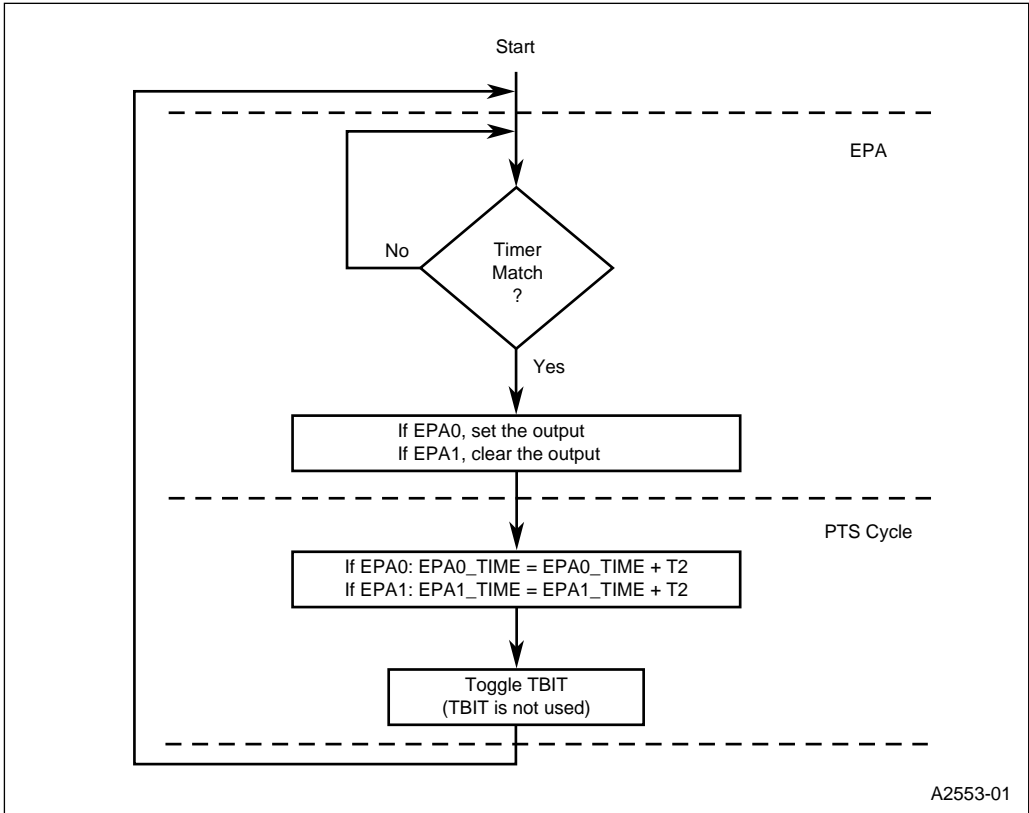


Figure 5-19. EPA and PTS Operations for the PWM Remap Mode Example

You can change the duty cycle by changing the time that the output is high and keeping the period constant. After a timer match occurs for EPA1 (when the output falls), schedule the next EPA1 match for $T2 + DT$, where DT is the time to be added to the on-time. Thereafter, schedule the next EPA1 match for $T2$. You can do this by replacing one EPA1 PTS interrupt with a normal interrupt (clear `PTSSSEL.3`). Have the interrupt service routine add $T2 + DT$ to `EPA1_TIME` and set `PTSSSEL.3` to re-enable PTS service for EPA1. This adjustment changes the duty cycle without affecting the period.

By using two EPA channels in the PWM remap mode, you can generate duty cycles closer to 0% and 100% than is possible with PWM toggle mode. For further information about generating PWM waveforms with the EPA, consult “Operating in Compare Mode” on page 10-13.



6

I/O Ports



CHAPTER 6 I/O PORTS

I/O ports provide a mechanism to transfer information between the device and the surrounding system circuitry. They can read system status, monitor system operation, output device status, configure system options, generate control signals, provide serial communication, and so on. Their usefulness in an application is limited only by the number of I/O pins available and the imagination of the engineer.

6.1 I/O PORTS OVERVIEW

Standard I/O port registers are located in the SFR address space and they can be windowed. Memory-mapped I/O port registers are located in memory-mapped address space. They are indirectly addressable only, and they cannot be windowed. All ports can provide low-speed input/output pins or serve alternate functions. Table 6-1 provides an overview of the device I/O ports. The remainder of this chapter describes the ports in more detail and explains how to configure the pins. The chapters that cover the associated peripherals discuss using the pins for their special functions.

Table 6-1. Device I/O Ports

Port	Bits	Type	Direction	Associated Peripheral(s)
Port 0	8 (Kx) 6 (CA, Jx)	Standard	Input-only	A/D converter
Port 1	8 (Kx) 4 (CA, Jx)	Standard	Bidirectional	EPA and timers
Port 2	8 (Kx) 6 (CA, Jx)	Standard	Bidirectional	SIO, interrupts, bus control, clock gen.
Port 3	8	Memory-mapped	Bidirectional	Address/data bus
Port 4	8	Memory-mapped	Bidirectional	Address/data bus
Port 5	8	Memory-mapped	Bidirectional	Bus control, slave port
Port 6	8	Standard	Bidirectional	EPA, SSIO

6.2 INPUT-ONLY PORT 0

Port 0 is an eight-bit, high-impedance, input-only port. Its pins can be read as digital inputs; they are also inputs to the A/D converter. Port 0 differs from the other ports in that its pins can be used only as inputs to the digital or analog circuitry.

Because port 0 is permanently configured as an input-only port, it has no configuration registers. Its single register, P0_PIN, can be read to determine the current state of the pin. The register is byte-addressable and can be windowed. (See Chapter 4, “Memory Partitions.”)

Table 6-2 lists the standard input-only port pins and Table 6-3 describes the P0_PIN status register.

Table 6-2. Standard Input-only Port Pins

Port Pin	Special-function Signal(s)	Special-function Signal Type	Associated Peripheral
P0.7:0 (Kx), P0.7:2 (CA, Jx)	ACH7:0 (Kx), ACH7:2 (CA, Jx)	Input	A/D converter

Table 6-3. Input-only Port Registers

Mnemonic	Address	Description
P0_PIN	1FDAH	Port 0 Input Each bit of P0_PIN reflects the current state of the corresponding port 0 pin.

6.2.1 Standard Input-only Port Operation

Figure 6-1 is a schematic of an input-only port pin. Transistors Q1 and Q2 serve as electrostatic discharge (ESD) protection devices; they are referenced to V_{REF} and ANGND. Transistor Q3 is an additional ESD protection device; it is referenced to V_{SS} (digital ground). Resistor R1 limits current flow through Q3 to acceptable levels. At this point, the input signal is sent to the analog multiplexer and to the digital level-translation buffer. The level-translation buffer converts the input signals to work with the V_{CC} and V_{SS} digital voltage levels used by the CPU core. This buffer is Schmitt-triggered for improved noise immunity. The signals are latched in the P0_PIN register and are output onto the internal bus when P0_PIN is read.

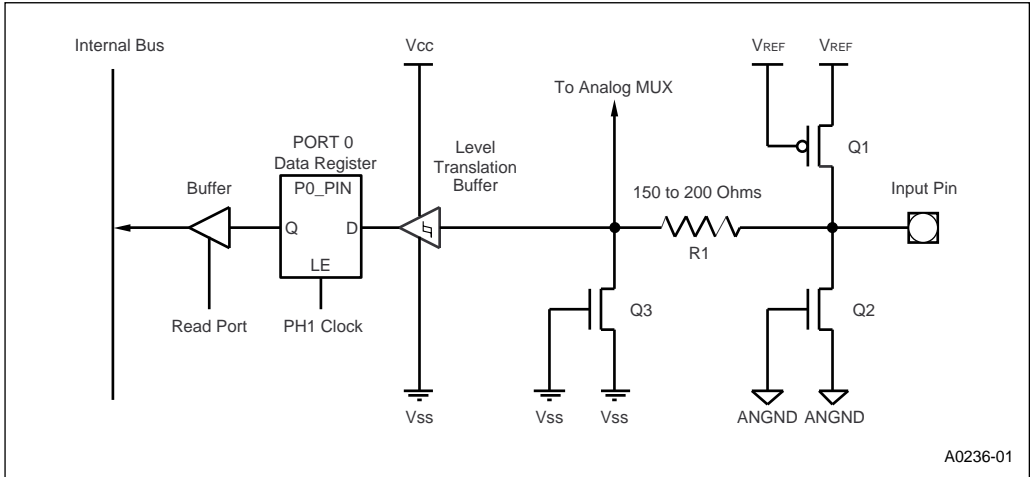


Figure 6-1. Standard Input-only Port Structure

6.2.2 Standard Input-only Port Considerations

Port 0 pins are unique in that they may individually be used as digital inputs and analog inputs at the same time. However, reading the port induces noise into the A/D converter, decreasing the accuracy of any conversion in progress. We strongly recommend that you **not** read the port while an A/D conversion is in progress. To reduce noise, the P0_PIN register is clocked only when the port is read.

These port pins are powered by the analog reference voltage (V_{REF}) and analog ground (ANGND) pins. If the port pins are to function as either analog or digital inputs, the V_{REF} and ANGND pins must provide power. If the voltage applied to the analog input exceeds V_{REF} or ANGND by more than 0.5 volts, current will be driven through Q1 or Q2 into the reference circuitry, decreasing the accuracy of all analog conversions.

The port pin is sampled one state time before the read buffer is enabled. Sampling occurs during phase 1 (while CLKOUT is low) and resolves the value of the pin before it is presented to the internal bus. To ensure that the value is recognized, it must be valid 45 ns before the rising edge of CLKOUT and must remain valid until CLKOUT falls. If the pin value changes during the sample time, the new value may or may not be recorded.

As a digital input, a pin acts as a high-impedance input. However, as an analog input, a pin must provide current for a short time to charge the internal sample capacitor when a conversion begins. This means that if a conversion is taking place on a port pin, its input characteristics change momentarily.

6.3 BIDIRECTIONAL PORTS 1, 2, 5, AND 6

Although the bidirectional ports are very similar in both circuitry and configuration, port 5 differs from the others in some ways. Port 5, a memory-mapped port, uses a standard CMOS input buffer because of the high speeds required for system control functions. The remaining bidirectional ports use Schmitt-triggered input buffers for improved noise immunity.

NOTE

Ports 3 and 4 are significantly different from the other bidirectional ports. See “Bidirectional Ports 3 and 4 (Address/Data Bus)” on page 6-15 for details on the structure and operation of these ports.

Table 6-4 lists the bidirectional port pins with their special-function signals and associated peripherals.

Table 6-4. Bidirectional Port Pins

Port Pin	Special-function Signal(s)	Special-function Signal Type	Associated Peripheral
P1.0	EPA0	I/O	EPA
	T2CLK	I	Timer 2
P1.1	EPA1	I/O	EPA
P1.2	EPA2	I/O	EPA
	T2DIR	I	Timer 2
P1.3	EPA3	I/O	EPA
P1.4 [†]	EPA4	I/O	EPA
P1.5 [†]	EPA5	I/O	EPA
P1.6 [†]	EPA6	I/O	EPA
P1.7 [†]	EPA7	I/O	EPA
P2.0	TXD	O	SIO
P2.1	RXD	I/O	SIO
P2.2	EXTINT	I	Interrupts
P2.3 [†]	BREQ#	O	Bus controller
P2.4	INTOUT#	O	Interrupts
P2.5 [†]	HOLD#	I	Bus controller
P2.6	HLDA#	O	Bus controller
P2.7	CLKOUT	O	Clock generator
P5.0	ALE/ADV#	O	Bus controller
	SLPALE	I	Slave port

[†]This pin is not implemented on 8XC196Jx and 87C196CA devices.

^{††}This pin is not implemented on 8XC196Jx devices.

^{†††}P5.4/SLPINT is not implemented on 8XC196Jx devices. P5.4 is implemented on the 87C196CA as a low-speed input/output pin (but it is not multiplexed with SLPINT).

Table 6-4. Bidirectional Port Pins (Continued)

Port Pin	Special-function Signal(s)	Special-function Signal Type	Associated Peripheral
P5.1 [†]	INST	O	Bus controller
	SLPCS#	I	Slave port
P5.2	WR#/WRL#	O	Bus controller
	SLPWR#	I	Slave port
P5.3	RD#	O	Bus controller
	SLPRD#	I	Slave port
P5.4 ^{†††}	SLPINT ^{†††}	O	Slave port
P5.5 ^{††}	BHE#/WRH#	O	Bus controller
P5.6 ^{††}	READY	I	Bus controller
P5.7 ^{††}	BUSWIDTH	I	Bus controller
P6.0	EPA8	I/O	EPA
P6.1	EPA9	I/O	EPA
P6.2 [†]	T1CLK	I	Timer 1
P6.3 [†]	T1DIR	I	Timer 1
P6.4	SC0	I/O	SSIO0
P6.5	SD0	I/O	SSIO0
P6.6	SC1	I/O	SSIO1
P6.7	SD1	I/O	SSIO1

[†]This pin is not implemented on 8XC196Jx and 87C196CA devices.

^{††}This pin is not implemented on 8XC196Jx devices.

^{†††}P5.4/SLPINT is not implemented on 8XC196Jx devices. P5.4 is implemented on the 87C196CA as a low-speed input/output pin (but it is not multiplexed with SLPINT).

Table 6-5 lists the registers associated with the bidirectional ports. Each port has three control registers (Px_MODE, Px_DIR, and Px_REG); they can be both read and written. The Px_PIN register is a status register that returns the logic level present on the pins; it can only be read. The registers for the standard ports are byte-addressable and can be windowed. The port 5 registers must be accessed using 16-bit addressing and **cannot** be windowed. “Bidirectional Port Considerations” on page 6-12 discusses special considerations for reading P2_REG.7 and P6_REG.7:4.

Table 6-5. Bidirectional Port Control and Status Registers

Mnemonic	Address	Description
P1_DIR P2_DIR P5_DIR P6_DIR	1FD2H 1FCBH 1FF3H 1FD3H	Port x Direction Each bit of Px_DIR controls the direction of the corresponding pin. 0 = complementary output (output only) 1 = input or open-drain output (input, output, or bidirectional) Open-drain outputs require external pull-ups.

Table 6-5. Bidirectional Port Control and Status Registers (Continued)

Mnemonic	Address	Description
P1_MODE P2_MODE P5_MODE P6_MODE	1FD0H 1FC9H 1FF1H 1FD1H	Port x Mode Each bit of Px_MODE controls whether the corresponding pin functions as a standard I/O port pin or as a special-function signal. 0 = standard I/O port pin 1 = special-function signal
P1_PIN P2_PIN P5_PIN P6_PIN	1FD6H 1FCFH 1FF7H 1FD7H	Port x Input Each bit of Px_PIN reflects the current state of the corresponding pin, regardless of the pin configuration.
P1_REG P2_REG P5_REG P6_REG	1FD4H 1FCDH 1FF5H 1FD5H	Port x Data Output For an input, set the corresponding Px_REG bit. For an output, write the data to be driven out by each pin to the corresponding bit of Px_REG. When a pin is configured as standard I/O (Px_MODE.x=0), the result of a CPU write to Px_REG is immediately visible on the pin. When a pin is configured as a special-function signal (Px_MODE.x=1), the associated on-chip peripheral or off-chip component controls the pin. The CPU can still write to Px_REG, but the pin is unaffected until it is switched back to its standard I/O function. This feature allows software to configure a pin as standard I/O (clear Px_MODE.x), initialize or overwrite the pin value, then configure the pin as a special-function signal (set Px_MODE.x). In this way, initialization, fault recovery, exception handling, etc., can be done without changing the operation of the associated peripheral.

6.3.1 Bidirectional Port Operation

Figure 6-2 shows the logic for driving the output transistors, Q1 and Q2. Q1 can source at least -3 mA at $V_{CC} - 0.7$ volts. Q2 can sink at least 3 mA at 0.45 volts. (Consult the datasheet for specifications.)

In I/O mode (selected by clearing Px_MODE.y), Px_REG and Px_DIR are input to the multiplexers. These signals combine to drive the gates of Q1 and Q2 so that the output is high, low, or high impedance. Table 6-6 is a logic table for I/O operation of these ports.

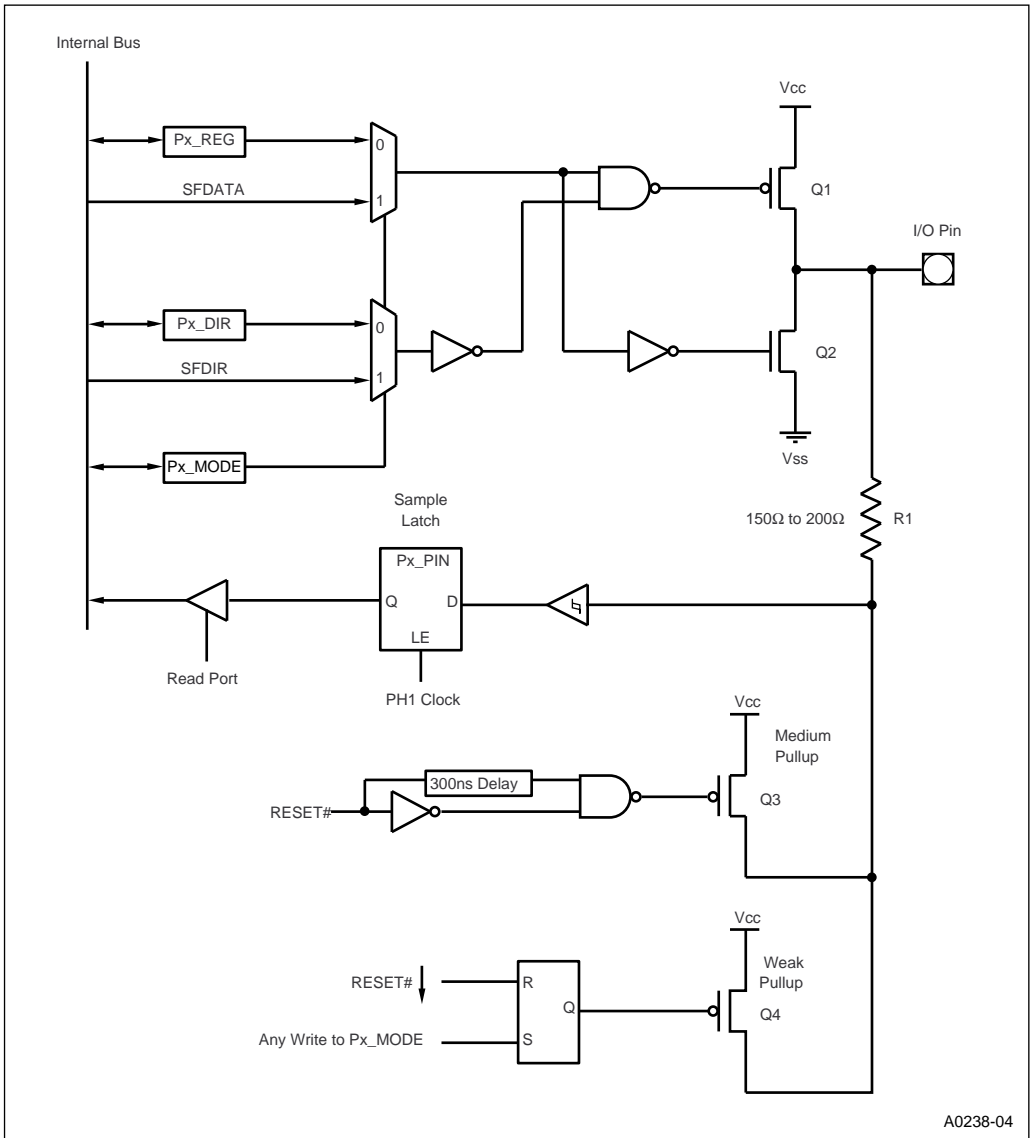
In special-function mode (selected by setting Px_MODE.y), SFDIR and SFDATA are input to the multiplexers. These signals combine to drive the gates of Q1 and Q2 so that the output is high, low, or high impedance. Special-function output signals clear SFDIR; special-function input signals set SFDIR. Table 6-7 is a logic table for special-function operation of these ports. Even if a pin is to be used in special-function mode, you must still initialize the pin as an input or output by writing to Px_DIR.

Resistor R1 provides ESD protection for the pin. Input signals are buffered. The standard ports use Schmitt-triggered buffers for improved noise immunity. Port 5 uses a standard input buffer because of the high speeds required for system control functions. The signals are latched into the P_x_PIN sample latch and output onto the internal bus when the P_x_PIN register is read.

The falling edge of RESET# turns on transistor Q3, which remains on for about 300 ns, causing the pin to change rapidly to its reset state. The active-low level of RESET# turns on transistor Q4, which weakly holds the pin high. (Q4 can source approximately $-10\ \mu\text{A}$; consult the datasheet for exact specifications.) Q4 remains on, weakly holding the pin high, until your software writes to the P_x_MODE register.

NOTE (8XC196CA, JQ, JR, JT, JV, KQ, KR)

P2.7 is an exception. After reset, P2.7 carries the CLKOUT signal (half the crystal input frequency) rather than being held high. When CLKOUT is selected, it is always a complementary output.



A0238-04

Figure 6-2. Bidirectional Port Structure

Table 6-6. Logic Table for Bidirectional Ports in I/O Mode

Configuration	Complementary Output		Open-drain Output	Input
Px_MODE	0	0	0	0
Px_DIR	0	0	1	1
SFDIR	X	X	X	X
SFDATA	X	X	X	X
Px_REG	0	1	0, 1 (Note 2)	1
Q1	off	on	off	off
Q2	on	off	on, off (Note 2)	off
Px_PIN	0	1	X (Note 3)	high-impedance (Note 4)

NOTES:

1. X = Don't care.
2. If Px_REG is cleared, Q2 is on; if Px_REG is set, Q2 is off.
3. Px_PIN contains the current value on the pin.
4. During reset and until the first write to Px_MODE, Q3 is on.

Table 6-7. Logic Table for Bidirectional Ports in Special-function Mode

Configuration	Complementary Output		Open-drain Output	Input
Px_MODE	1	1	1	1
Px_DIR	0	0	1	1
SFDIR	0	0	1	1
SFDATA	0	1	0, 1 (Note 2)	1
Px_REG	X	X	X	1
Q1	off	on	off	off
Q2	on	off	on, off (Note 2)	off
Px_PIN	0	1	X (Note 3)	high-impedance (Note 4)

NOTES:

1. X = Don't care.
2. If Px_REG is cleared, Q2 is on; if Px_REG is set, Q2 is off.
3. Px_PIN contains the current value on the pin.
4. During reset and until the first write to Px_MODE, Q3 is on.

6.3.2 Bidirectional Port Pin Configurations

Each bidirectional port pin can be individually configured to operate either as an I/O pin or as a pin for a special-function signal. In the special-function configuration, the signal is controlled by an on-chip peripheral or an off-chip component. In either configuration, two modes are possible:

- complementary output (output only)
- high-impedance input or open-drain output (input, output, or bidirectional)

To prevent the CMOS inputs from floating, the bidirectional port pins are weakly pulled high during and after reset, until your software writes to Px_MODE. The default values of the control registers after reset configure the pins as high-impedance inputs with weak pull-ups. To ensure that the ports are initialized correctly and that the weak pull-ups are turned off, follow this suggested initialization sequence:

1. Write to Px_DIR to establish the individual pins as either inputs or outputs. (Outputs will drive the data that you specify in step 3.)
 - For a complementary output, clear its Px_DIR bit.
 - For a high-impedance input or an open-drain output, set its Px_DIR bit. (Open-drain outputs require external pull-ups.)
2. Write to Px_MODE to select either I/O or special-function mode. Writing to Px_MODE (regardless of the value written) turns off the weak pull-ups. Even if the entire port is to be used as I/O (its default configuration after reset), **you must write to Px_MODE to ensure that the weak pull-ups are turned off.**
 - For a standard I/O pin, clear its Px_MODE bit. In this mode, the pin is driven as defined in steps 1 and 3.
 - For a special-function signal, set its Px_MODE bit. In this mode, the associated peripheral controls the pin.
3. Write to Px_REG.
 - For output pins defined in step 1, write the data that is to be driven by the pins to the corresponding Px_REG bits. For special-function outputs, the value is immaterial because the peripheral controls the pin. However, you must still write to Px_REG to initialize the pin.
 - For input pins defined in step 1, set the corresponding Px_REG bits.

Table 6-8 lists the control register values for each possible configuration. For special-function outputs, the Px_REG value is immaterial (don't care) because the associated peripheral controls the pin in special-function mode. However, you must still write to Px_REG to initialize the pin. For a bidirectional pin to function as an input (either special function or port pin), you must set Px_REG.

Table 6-8. Control Register Values for Each Configuration

Desired Pin Configuration	Configuration Register Settings		
	Px_DIR	Px_MODE †	Px_REG
Standard I/O Signal			
Complementary output, driving 0	0	0	0
Complementary output, driving 1	0	0	1
Open-drain output, strongly driving 0	1	0	0
Open-drain output, high-impedance	1	0	1
Input	1	0	1
Special-function signal	Px_DIR	Px_MODE †	Px_REG
Complementary output, output value controlled by peripheral	0	1	X
Open-drain output, output value controlled by peripheral	1	1	X
Input	1	1	1

† During reset and until the first write to Px_MODE, the pins are weakly held high.

6.3.3 Bidirectional Port Pin Configuration Example

Assume that you wish to configure the pins of a bidirectional port as shown in Table 6-9.

Table 6-9. Port Configuration Example

Port Pin(s)	Configuration	Data
Px.0, Px.1	high-impedance input	high-impedance
Px.2, Px.3	open-drain output	0
Px.4	open-drain output	1 (assuming external pull-up)
Px.5, Px.6	complementary output	0
Px.7	complementary output	1

To do so, you could use the following example code segment. Table 6-10 shows the state of each pin after reset and after execution of each line of the example code.

```
LDB Px_DIR, #00011111B
LDB Px_MODE, #00000000B
LDB Px_REG, #10010011B
```

Table 6-10. Port Pin States After Reset and After Example Code Execution

Action or Code	Resulting Pin States [†]							
	Px.7	Px.6	Px.5	Px.4	Px.3	Px.2	Px.1	Px.0
Reset	wk1	wk1	wk1	wk1	wk1	wk1	wk1	wk1
LDB Px_DIR, #00011111B	1	1	1	wk1	wk1	wk1	wk1	wk1
LDB Px_MODE, #00000000B	1	1	1	HZ1	HZ1	HZ1	HZ1	HZ1
LDB Px_REG, #10010011B	1	0	0	HZ1	0	0	HZ1	HZ1

[†] wk1 = weakly pulled high, HZ1 = high impedance (actually a “1” with an external pull-up).

6.3.4 Bidirectional Port Considerations

This section outlines special considerations for using the pins of these ports.

- Port 1** After reset, your software must configure the device to match the external system. This is accomplished by writing appropriate configuration data into P1_MODE. Writing to P1_MODE not only configures the pins but also turns off the transistor that weakly holds the pins high (Q4 in Figure 6-2 on page 6-8). For this reason, even if port 1 is to be used as it is configured at reset, you should still write data into P1_MODE.
- Port 2** After reset, your software must configure the device to match the external system. This is accomplished by writing appropriate configuration data into P2_MODE. Writing to P2_MODE not only configures the pins but also turns off the transistor that weakly holds the pins high (Q4 in Figure 6-2 on page 6-8). For this reason, even if port 2 is to be used as it is configured at reset, you should still write data into P2_MODE.
- P2.2/EXTINT** Writing to P2_MODE.2 sets the EXTINT interrupt pending bit. After configuring the port pins, clear the interrupt pending register before enabling interrupts. See “Design Considerations for External Interrupt Inputs” on page 6-15.
- P2.5/HOLD#** **8XC196Kx Only:** If P2.5 is configured as a standard I/O port pin, the device does not recognize signals on this pin as HOLD#. Instead, the bus controller receives an internal HOLD signal. This enables the device to access the external bus while it is performing I/O at P2.5.

- P2.6/HLDA#** The HLDA# pin is used in systems with more than one processor using the system bus. This device asserts HLDA# to indicate that it has freed the bus in response to HOLD# and another processor can take control. (This signal is active low to avoid misinterpretation by external hardware immediately after reset.)
- P2.6/HLDA# is the enable pin for ONCE mode in certain 8XC196Kx devices (see Chapter 14, “Special Operating Modes”) and one of the enable pins for Intel-reserved test modes. Because a low input during reset could cause the device to enter ONCE mode or a reserved test mode, **exercise caution** if you use this pin for input. Be certain that your system meets the V_{IH} specification (listed in the datasheet) during reset to prevent inadvertent entry into ONCE mode or a test mode.
- P2.7/CLKOUT** **8XC196CA, JQ, JR, JT, JV, KQ, KR:** Following reset, P2.7 carries the strongly driven CLKOUT signal. It is **not** held high. When P2.7 is configured as CLKOUT, it is always a complementary output.
- 8XC196KS, KT:** Following reset, P2.7 is weakly held high.
- P2.7** A value written to the upper bit of P2_REG (bit 7) is held in a buffer until the corresponding P2_MODE bit is cleared, at which time the value is loaded into the P2_REG bit. A value read from P2_REG.7 is the value currently in the register, not the value in the buffer. Therefore, any change to P2_REG.7 can be read only after P2_MODE.7 is cleared.
- Port 5** After reset, the device configures port 5 to match the external system. The following paragraphs describe the states of the port 5 pins after reset and until your software writes to the P5_MODE register. Writing to P5_MODE not only configures the pins but also turns off the transistor that weakly holds the pins high (Q4 in Figure 6-2 on page 6-8). For this reason, even if port 5 is to be used as it is configured at reset, you should still write data into P5_MODE.
- P5.0/ALE** If EA# is high on reset (internal access), the pin is weakly held high until your software writes to P5_MODE. If EA# is low on reset (external access), either ALE or ADV# is activated as a system control pin, depending on the ALE bit of CCR0. In either case, the pin becomes a true complementary output.
- P5.1/INST** **8XC196Kx Only:** This pin remains weakly held high until your software writes configuration data into P5_MODE.
- P5.2/WR#/WRL#** This pin remains weakly held high until your software writes configuration data into P5_MODE.

- P5.3/RD#** If EA# is high on reset (internal access), the pin is weakly held high until your software writes to P5_MODE. If EA# is low on reset (external access), RD# is activated as a system control pin and the pin becomes a true complementary output.
- P5.4/SLPINT** **8XC196Kx Only:** This pin is weakly held high until your software writes to P5_MODE. P5.4/SLPINT is the enable pin for ONCE mode in certain 8XC196Kx devices (see Chapter 14, “Special Operating Modes”) and one of the enable pins for Intel-reserved test modes. Because a low input during reset could cause the device to enter ONCE mode or a reserved test mode, **exercise caution** if you use this pin for input. Be certain that your system meets the V_{IH} specification (listed in the datasheet) during reset to prevent inadvertent entry into ONCE mode or a test mode.
- P5.5/BHE#/WRH#** This pin is weakly held high until the CCB fetch is completed. At that time, the state of this pin depends on the value of the BW0 bit of the CCRs. If BW0 is clear, the pin remains weakly held high until your software writes to P5_MODE. If BW0 is set, BHE# is activated as a system control pin and the pin becomes a true complementary output.
- P5.6/READY** **8XC196CA, Kx Only:** This pin remains weakly held high until the CCB fetch is completed. At that time, the state of this pin depends on the value of the IRC0–IRC2 bits of the CCRs. If IRC0–IRC2 are all set (111B), READY is activated as a system control pin. This prevents the insertion of infinite wait states upon the first access to external memory. For any other values of IRC0–IRC2, the pin is configured as I/O upon reset.
- NOTE**
- If IRC0–IRC2 of the CCB are all set (activating READY as a system control pin) and P5_MODE.6 is cleared (configuring the pin as I/O), an external memory access may cause the processor to lock up.
- P5.7/BUSWIDTH** **8XC196Kx Only:** This pin remains weakly held high until your software writes configuration data into P5_MODE.
- P6.0–P6.7** After reset, your software must configure the device to match the external system. This is accomplished by writing appropriate configuration data into P6_MODE. Writing to P6_MODE not only configures the pins but also turns off the transistor that weakly holds the pins high (Q4 in Figure 6-2 on page 6-8). For this reason, even if port 6 is to be used as it is configured at reset, you should still write data into P6_MODE.

P6.4–P6.7

A value written to any of the upper four bits of P6_REG (bits 4–7) is held in a buffer until the corresponding P6_MODE bit is cleared, at which time the value is loaded into the P6_REG bit. A value read from a P6_REG bit is the value currently in the register, not the value in the buffer. Therefore, any change to a P6_REG bit can be read only after the corresponding P6_MODE bit is cleared.

6.3.5 Design Considerations for External Interrupt Inputs

To configure a port pin that serves as an external interrupt input, you must set the corresponding bits in the configuration registers (P_x_DIR, P_x_MODE, and P_x_REG). To configure P2.2/EXTINT as an external interrupt input, we recommend the following sequence to prevent a false interrupt request:

1. Disable interrupts by executing the DI instruction.
2. Set the P_x_DIR bit.
3. Set the P_x_MODE bit.
4. Set the P_x_REG bit.
5. Clear the INT_PEND and INT_PEND1 bits.
6. Enable interrupts (optional) by executing the EI instruction.

6.4 BIDIRECTIONAL PORTS 3 AND 4 (ADDRESS/DATA BUS)

Ports 3 and 4 are eight-bit, bidirectional, memory-mapped I/O ports. They can be addressed only with indirect or indexed addressing and cannot be windowed. Ports 3 and 4 provide the multiplexed address/data bus. In programming modes, ports 3 and 4 serve as the programming bus (PBUS). Port 3 can also serve as the slave port (8XC196K_x only). Port 5 supplies the bus-control signals.

During external memory bus cycles, the processor takes control of ports 3 and 4 and automatically configures them as complementary output ports for driving address/data or as inputs for reading data. For this reason, these ports have no mode registers.

Systems with EA# tied inactive do not use the address/data bus, and systems that do use the address/data bus have idle time between external bus cycles. When the address/data bus is not in use, you can use the ports for I/O. Like port 5, these ports use standard CMOS input buffers. However, ports 3 and 4 must be configured entirely as complementary or open-drain ports; their pins cannot be configured individually. Systems with EA# tied active cannot use ports 3 and 4 as standard I/O; when EA# is active, these ports will function only as the address/data bus.

Table 6-11 lists the port 3 and 4 pins with their special-function signals and associated peripherals. Table 6-12 lists the registers that affect the function and indicate the status of ports 3 and 4.

Table 6-11. Ports 3 and 4 Pins

Port Pins	Special-function Signal(s)	Special-function Signal Type	Associated Peripheral
P3.7:0	AD7:0	I/O	Address/data bus, low byte
	PBUS7:0	I/O	Programming bus, low byte
	SLP7:0 (Kx only)	I/O	Slave port
P4.7:0	AD15:8	I/O	Address/data bus, high byte
	PBUS15:8	I/O	Programming bus, high byte

Table 6-12. Ports 3 and 4 Control and Status Registers

Mnemonic	Address	Description
P3_PIN P4_PIN	1FFEh 1FFFh	Port x Input Each bit of P _x _PIN reflects the current state of the corresponding pin, regardless of the pin configuration.
P3_REG P4_REG	1FFCh 1FFDh	Port x Data Output Each bit of P _x _REG contains data to be driven out by the corresponding pin. When the device requires access to external memory, it takes control of the port and drives the address/data bit onto the pin. The address/data bit replaces your output during this time. When the external access is completed, the device restores your data onto the pin.
P34_DRV	1FF4h	Ports 3/4 Driver Enable Register Bits 7 and 6 of the P34_DRV register control whether ports 3 and 4, respectively, are configured as complementary or open-drain. Setting a bit configures a port as complementary; clearing a bit configures a port as open-drain. These bits affect port operation only in I/O mode.

6.4.1 Bidirectional Ports 3 and 4 (Address/Data Bus) Operation

Figure 6-3 shows the ports 3 and 4 logic. During reset, the active-low level of RESET# turns off Q1 and Q2 and turns on transistor Q4, which weakly holds the pin high. (Q4 can source approximately $-10\ \mu\text{A}$ at $V_{CC} - 1.0$ volts; consult the datasheet for exact specifications.) Resistor R1 provides ESD protection for the pin.

During normal operation, the device controls the port through BUS CONTROL SELECT, an internal control signal. When the device needs to access external memory, it clears BUS CONTROL SELECT, selecting ADDRESS/DATA as the input to the multiplexer. ADDRESS/DATA then drives Q1 and Q2 as complementary outputs. (Q1 can source at least $-3\ \text{mA}$ at $V_{CC} - 1.0$ volts; Q2 can sink at least $3\ \text{mA}$ at 0.45 volts. Consult the datasheet for exact specifications.)

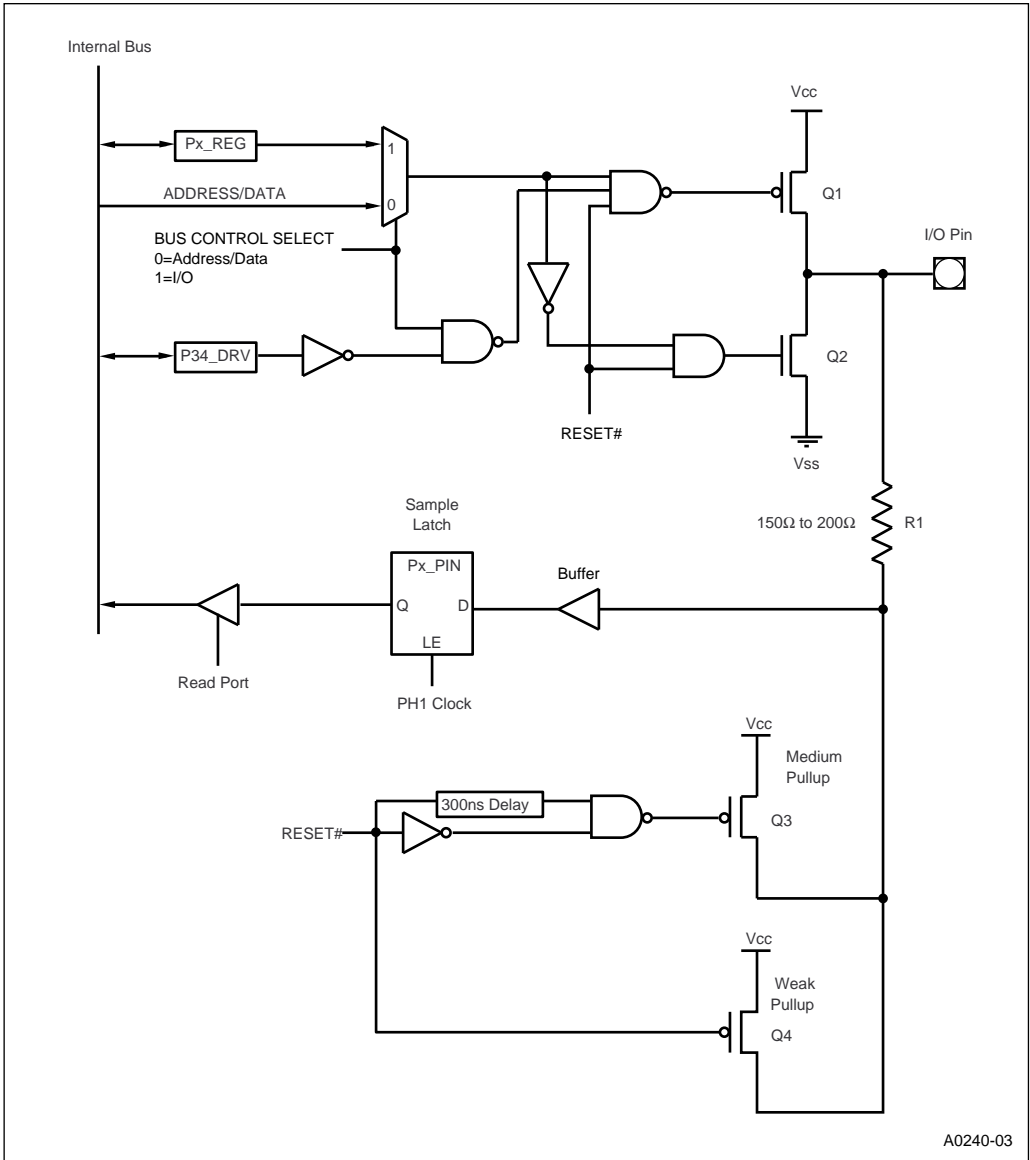


Figure 6-3. Address/Data Bus (Ports 3 and 4) Structure

When external memory access is **not** required, the device sets `BUS CONTROL SELECT`, selecting `Px_REG` as the input to the multiplexer. `Px_REG` then drives `Q1` and `Q2`. If `P34_DRV` is set, `Q1` and `Q2` are driven as complementary outputs. If `P34_DRV` is cleared, `Q1` is disabled and `Q2` is driven as an open-drain output requiring an external pull-up resistor.

With the open-drain configuration (BUS CONTROL SELECT set and P34_DRV cleared) and P_x_REG set, the pin can be used as an input. The signal on the pin is latched in the P_x_PIN register. The pins can be read, making it easy to see which pins are driven low by the device and which are driven high by external drivers while in open-drain mode. Table 6-13 is a logic table for ports 3 and 4 as I/O.

Table 6-13. Logic Table for Ports 3 and 4 as I/O

Configuration	Complementary		Open-drain	
	P34_DRV	1	1	0
P _x _REG	0	1	0	1
Q1	off	on	off	off
Q2	on	off	on	off
P _x _PIN	0	1	0	high-impedance

6.4.2 Using Ports 3 and 4 as I/O

Ports 3 and 4 must be configured entirely as complementary or open-drain ports; their pins cannot be configured individually. To configure a port, first select complementary or open-drain mode by writing to P34_DRV. Set a bit to configure the port as complementary; clear a bit to configure the port as open-drain.

To use a port pin as an output, write the output data to the corresponding P_x_REG bit. In complementary mode, a pin is driven high when the corresponding P_x_REG bit is set. In open-drain mode, you need to connect an external pull-up resistor. When the device requires access to external memory, it takes control of the port and drives the address/data bit onto the pin. The address/data bit replaces your output during this time. When the external access is completed, the device restores your data onto the pin.

To use a port pin as an input, first clear the corresponding P34_DRV bit to configure the port as open-drain. Next, set the corresponding P_x_REG bit to drive the pin to a high-impedance state. You may then read the pin's input value in the P_x_PIN register. When the device requires access to external memory, it takes control of the port. You must configure the input source to avoid contention on the bus.

6.4.3 Design Considerations for Ports 3 and 4

When EA# is active, ports 3 and 4 will function **only** as the address/data bus. In these circumstances, an instruction that operates on P3_REG or P4_REG causes a bus cycle that reads from or writes to the external memory location corresponding to the SFR's address. (For example, writing to P4_REG causes a bus cycle that writes to external memory location 1FFDH.) Because P3_REG and P4_REG have no effect when EA# is active, the bus will float during long periods of inactivity (such as during a BMOV or TIJMP instruction).

When EA# is inactive, ports 3 and 4 output the contents of the P3_REG and P4_REG registers. Because these registers reset to FFH and the P34_DRV register resets to 00H (open-drain mode), ports 3 and 4 will float unless you either connect external resistors to the pins, write zeros to the P3_REG and P4_REG registers, or write ones to the P34_DRV register.



7

Serial I/O (SIO) Port



CHAPTER 7 SERIAL I/O (SIO) PORT

A serial input/output (SIO) port provides a means for the system to communicate with external devices. This device has a serial I/O (SIO) port that shares pins with port 2. This chapter describes the SIO port and explains how to configure it. Chapter 6, “I/O Ports,” explains how to configure the port pins for their special functions. Refer to Appendix B for details about the signals discussed in this chapter.

7.1 SERIAL I/O (SIO) PORT FUNCTIONAL OVERVIEW

The serial I/O port (Figure 7-1) is an asynchronous/synchronous port that includes a universal asynchronous receiver and transmitter (UART). The UART has one synchronous mode (mode 0) and three asynchronous modes (modes 1, 2, and 3) for both transmission and reception.

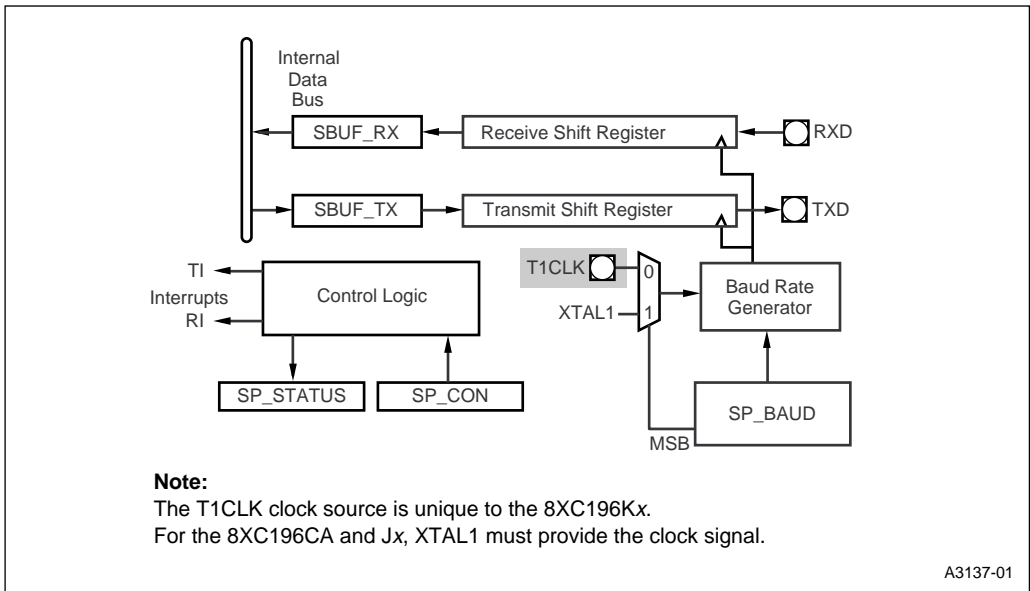


Figure 7-1. SIO Block Diagram

The serial port receives data into the receive buffer; it transmits data from the port through the transmit buffer. The transmit and receive buffers are separate registers, permitting simultaneous reads and writes to both. The transmitter and receiver are buffered to support continuous transmissions and to allow reception of a second byte before the first byte has been read.

An independent, 15-bit baud-rate generator controls the baud rate of the serial port. Either XTAL1 or T1CLK can provide the clock signal. The baud-rate register (SP_BAUD) selects the clock source and the baud rate.

7.2 SERIAL I/O PORT SIGNALS AND REGISTERS

Table 7-1 describes the SIO signals and Table 7-2 describes the control and status registers.

Table 7-1. Serial Port Signals

Port Pin	Serial Port Signal	Serial Port Signal Type	Description
P2.0	TXD	O	Transmit Serial Data In modes 1, 2, and 3, TXD transmits serial port output data. In mode 0, it is the serial clock output.
P2.1	RXD	I/O	Receive Serial Data In modes 1, 2, and 3, RXD receives serial port input data. In mode 0, it functions as an input or an open-drain output for data.
P6.2	T1CLK †	I	Timer 1 Clock External clock source for the baud-rate generator input.

† The T1CLK pin is not implemented on the 8XC196CA, JQ, JR, JT, JV devices. XTAL1 must provide the serial port clock.

Table 7-2. Serial Port Control and Status Registers

Mnemonic	Address	Description †
INT_MASK1	0013H	Interrupt Mask 1 Setting the TI bit enables the transmit interrupt; clearing the bit disables (masks) the interrupt. Setting the RI bit enables the receive interrupt; clearing the bit disables (masks) the interrupt.
INT_PEND1	0012H	Interrupt Pending 1 When set, the TI bit indicates a pending transmit interrupt. When set, the RI bit indicates a pending receive interrupt.

† Except as otherwise noted, write zeros to the reserved bits in these registers.

†† The T1CLK pin is not implemented on the 8XC196CA, JQ, JR, JT, JV devices. XTAL1 must provide the serial port clock.

Table 7-2. Serial Port Control and Status Registers (Continued)

Mnemonic	Address	Description †
P2_DIR	1FCBH	Port 2 Direction This register selects the direction of each port 2 pin. Clear P2_DIR.1 to configure RXD (P2.1) as a high-impedance input/open-drain output, and set P2_DIR.0 to configure TXD (P2.0) as a complementary output.
P6_DIR	1FD2H	Port 6 Direction This register selects the direction of each port 6 pin. To use T1CLK ^{††} as the input clock to the baud-rate generator, clear P6_DIR.2.
P2_MODE	1FC9H	Port 2 Mode This register selects either the general-purpose input/output function or the peripheral function for each pin of port 2. Set P2_MODE.1:0 to configure TXD (P2.0) and RXD (P2.1) for the SIO port.
P6_MODE	1FD1H	Port 6 Mode This register selects either the general-purpose input/output function or the peripheral function for each pin of port 6. Set P6_MODE.2 to configure T1CLK ^{††} for the SIO port.
P2_PIN	1FCFH	Port 2 Pin State Two bits of this register contain the values of the TXD (P2.0) and RXD (P2.1) pins. Read P2_PIN to determine the current value of the pins.
P6_PIN	1FD7H	Port 6 Pin State If you are using T1CLK (P6.2) as the clock source for the baud-rate generator, you can read P6_PIN.2 to determine the current value of T1CLK ^{††} .
P2_REG	1FCDH	Port 2 Output Data This register holds data to be driven out on the pins of port 2. Set P2_REG.1 for the RXD (P2.1) pin. Write the desired output data for the TXD (P2.0) pin to P2_REG.0.
P6_REG	1FD5H	Port 6 Output Data This register holds data to be driven out on the pins of port 6. To use T1CLK as the clock source for the baud-rate generator, set P6_REG.2.
SBUF_RX	1FB8H	Serial Port Receive Buffer This register contains data received from the serial port.
SBUF_TX	1FBAH	Serial Port Transmit Buffer This register contains data that is ready for transmission. In modes 1, 2, and 3, writing to SBUF_TX starts a transmission. In mode 0, writing to SBUF_TX starts a transmission only if the receiver is disabled (SP_CON.3=0)

† Except as otherwise noted, write zeros to the reserved bits in these registers.

†† The T1CLK pin is not implemented on the 8XC196CA, JQ, JR, JT, JV devices. XTAL1 must provide the serial port clock.

Table 7-2. Serial Port Control and Status Registers (Continued)

Mnemonic	Address	Description †
SP_BAUD	1FBCH,1FBDH	Serial Port Baud Rate This register selects the serial port baud rate and clock source. The most-significant bit selects the clock source. The lower 15 bits represent the BAUD_VALUE, an unsigned integer that determines the baud rate.
SP_CON	1FBBH	Serial Port Control This register selects the communications mode and enables or disables the receiver, parity checking, and ninth-bit data transmissions. The TB8 bit is cleared after each transmission.
SP_STATUS	1FB9H	Serial Port Status This register contains the serial port status bits. It has status bits for receive overrun errors (OE), transmit buffer empty (TXE), framing errors (FE), transmit interrupt (TI), receive interrupt (RI), and received parity error (RPE) or received bit 8 (RB8). Reading SP_STATUS clears all bits except TXE; writing a byte to SBUF_TX clears the TXE bit.

† Except as otherwise noted, write zeros to the reserved bits in these registers.

†† The T1CLK pin is not implemented on the 8XC196CA, JQ, JR, JT, JV devices. XTAL1 must provide the serial port clock.

7.3 SERIAL PORT MODES

The serial port has both synchronous and asynchronous operating modes for transmission and reception. This section describes the operation of each mode.

7.3.1 Synchronous Mode (Mode 0)

The most common use of mode 0, the synchronous mode, is to expand the I/O capability of the device with shift registers (see Figure 7-2). In this mode, the TXD pin outputs a set of eight clock pulses, while the RXD pin either transmits or receives data. Data is transferred eight bits at a time with the least-significant bit first. Figure 7-3 shows a diagram of the relative timing of these signals. Note that only mode 0 uses RXD as an open-drain output.

In mode 0, RXD must be enabled for receptions and disabled for transmissions. (See “Programming the Control Register” on page 7-8.) When RXD is enabled, either a rising edge on the RXD input or clearing the receive interrupt (RI) flag in SP_STATUS starts a reception. When RXD is disabled, writing to SBUF_TX starts a transmission.

Disabling RXD stops a reception in progress and inhibits further receptions. To avoid a partial or undesired complete reception, disable RXD before clearing the RI flag in SP_STATUS. This can be handled in an interrupt environment by using software flags or in straight-line code by using the interrupt pending register to signal the completion of a reception.

During a reception, the RI flag in SP_STATUS is set after the stop bit is sampled. The RI pending bit in the interrupt pending register is set immediately before the RI flag is set. During a transmission, the TI flag is set immediately after the end of the last (eighth) data bit is transmitted. The TI pending bit in the interrupt pending register is generated when the TI flag in SP_STATUS is set.

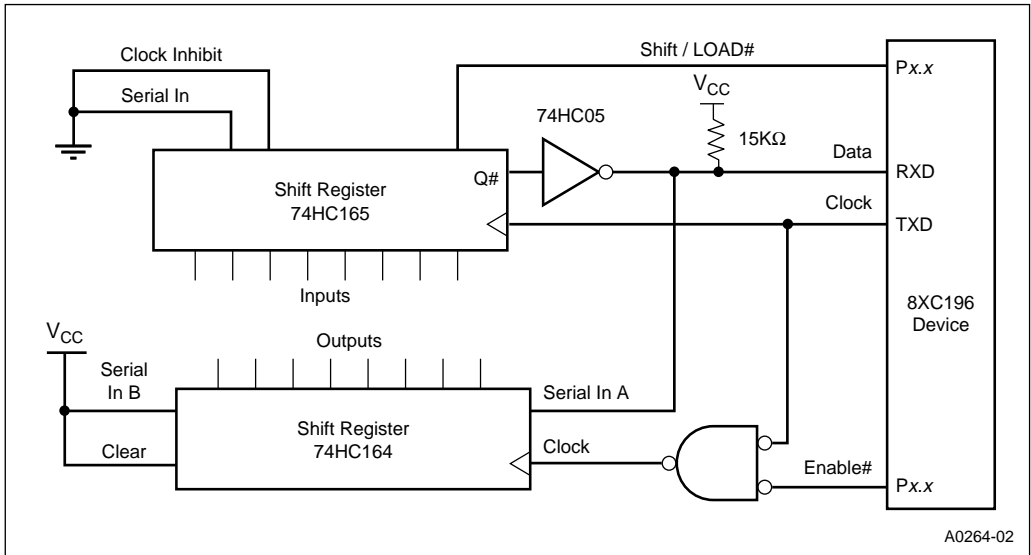


Figure 7-2. Typical Shift Register Circuit for Mode 0

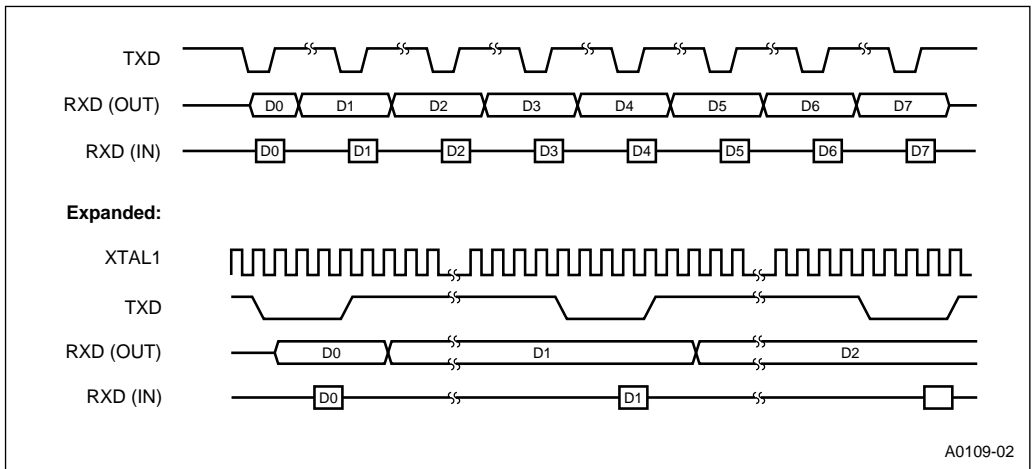


Figure 7-3. Mode 0 Timing

7.3.2 Asynchronous Modes (Modes 1, 2, and 3)

Modes 1, 2, and 3 are full-duplex serial transmit/receive modes, meaning that they can transmit and receive data simultaneously. Mode 1 is the standard 8-bit, asynchronous mode used for normal serial communications. Modes 2 and 3 are 9-bit asynchronous modes typically used for interprocessor communications (see “Multiprocessor Communications” on page 7-8). In mode 2, the serial port sets an interrupt pending bit only if the ninth data bit is set. In mode 3, the serial port always sets an interrupt pending bit upon completion of a data transmission or reception.

When the serial port is configured for mode 1, 2, or 3, writing to SBUF_TX causes the serial port to start transmitting data. New data placed in SBUF_TX is transmitted only after the stop bit of the previous data has been sent. A falling edge on the RXD input causes the serial port to begin receiving data if RXD is enabled. Disabling RXD stops a reception in progress and inhibits further receptions. (See “Programming the Control Register” on page 7-8.)

7.3.2.1 Mode 1

Mode 1 is the standard asynchronous communications mode. The data frame used in this mode (Figure 7-4) consists of ten bits: a start bit (0), eight data bits (LSB first), and a stop bit (1). If parity is enabled, a parity bit is sent instead of the eighth data bit, and parity is checked on reception.

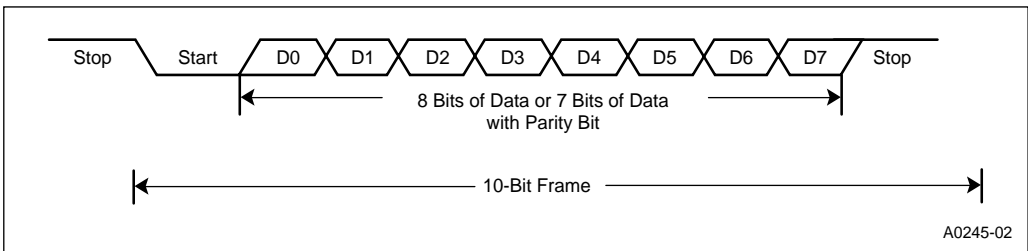


Figure 7-4. Serial Port Frames for Mode 1

The transmit and receive functions are controlled by separate shift clocks. The transmit shift clock starts when the baud rate generator is initialized. The receive shift clock is reset when a start bit (high-to-low transition) is received. Therefore, the transmit clock may not be synchronized with the receive clock, although both will be at the same frequency.

The transmit interrupt (TI) and receive interrupt (RI) flags in SP_STATUS are set to indicate completed operations. During a reception, both the RI flag and the RI interrupt pending bit are set just before the end of the stop bit. During a transmission, both the TI flag and the TI interrupt pending bit are set at the beginning of the stop bit. The next byte cannot be sent until the stop bit is sent.

Use caution when connecting more than two devices with the serial port in half-duplex (i.e., with one wire for transmit and receive). The receiving processor must wait for one bit time after the RI flag is set before starting to transmit. Otherwise, the transmission could corrupt the stop bit, causing a problem for other devices listening on the link.

7.3.2.2 Mode 2

Mode 2 is the asynchronous, ninth-bit recognition mode. This mode is commonly used with mode 3 for multiprocessor communications. Figure 7-5 shows the data frame used in this mode. It consists of a start bit (0), nine data bits (LSB first), and a stop bit (1). During transmissions, setting the TB8 bit in the SP_CON register before writing to SBUF_TX sets the ninth transmission bit. The hardware clears the TB8 bit after every transmission, so it must be set (if desired) before each write to SBUF_TX. During receptions, the RI flag and RI interrupt pending bit are set only if the TB8 bit is set. This provides an easy way to have selective reception on a data link. (See “Multiprocessor Communications” on page 7-8). Parity cannot be enabled in this mode.

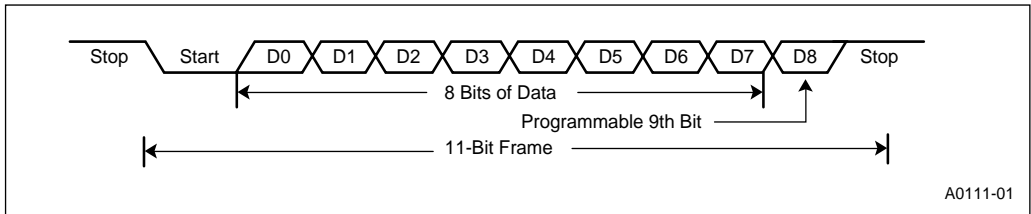


Figure 7-5. Serial Port Frames in Mode 2 and 3

7.3.2.3 Mode 3

Mode 3 is the asynchronous, ninth-bit mode. The data frame for this mode is identical to that of mode 2. Mode 3 differs from mode 2 during transmissions in that parity can be enabled, in which case the ninth bit becomes the parity bit. When parity is disabled, data bits 0–7 are written to the serial port transmit buffer, and the ninth data bit is written to bit 4 (TB8) bit in the SP_CON register. In mode 3, a reception always sets the RI interrupt pending bit, regardless of the state of the ninth bit. If parity is disabled, the SP_STATUS register bit 7 (RB8) contains the ninth data bit. If parity is enabled, then bit 7 (RB8) is the received parity error (RPE) flag.

7.3.2.4 Mode 2 and 3 Timings

Operation in modes 2 and 3 is similar to mode 1 operation. The only difference is that the data consists of 9 bits, so 11-bit packages are transmitted and received. During a reception, the RI flag and the RI interrupt pending bit are set just after the end of the stop bit. During a transmission, the TI flag and the TI interrupt pending bit are set at the beginning of the stop bit. The ninth bit can be used for parity or multiprocessor communications.

7.3.2.5 Multiprocessor Communications

Modes 2 and 3 are provided for multiprocessor communications. In mode 2, the serial port sets the RI interrupt pending bit only when the ninth data bit is set. In mode 3, the serial port sets the RI interrupt pending bit regardless of the value of the ninth bit. The ninth bit is always set in address frames and always cleared in data frames.

One way to use these modes for multiprocessor communication is to set the master processor to mode 3 and the slave processors to mode 2. When the master processor wants to transmit a block of data to one of several slaves, it sends out an address frame that identifies the target slave. Because the ninth bit is set, an address frame interrupts all slaves. Each slave examines the address byte to check whether it is being addressed. The addressed slave switches to mode 3 to receive the data frames, while the slaves that are not addressed remain in mode 2 and are not interrupted.

7.4 PROGRAMMING THE SERIAL PORT

To use the SIO port, you must configure the port pins to serve as special-function signals and set up the SIO channel.

7.4.1 Configuring the Serial Port Pins

Before you can use the serial port, you must configure the associated port pins to serve as special-function signals. Table 7-1 on page 7-2 lists the pins associated with the serial port. Table 7-2 lists the port configuration registers, and Chapter 6, "I/O Ports," explains how to configure the pins.

7.4.2 Programming the Control Register

The SP_CON register (Figure 7-6) selects the communication mode and enables or disables the receiver, parity checking, and nine-bit data transmissions. Selecting a new mode resets the serial I/O port and aborts any transmission or reception in progress on the channel.

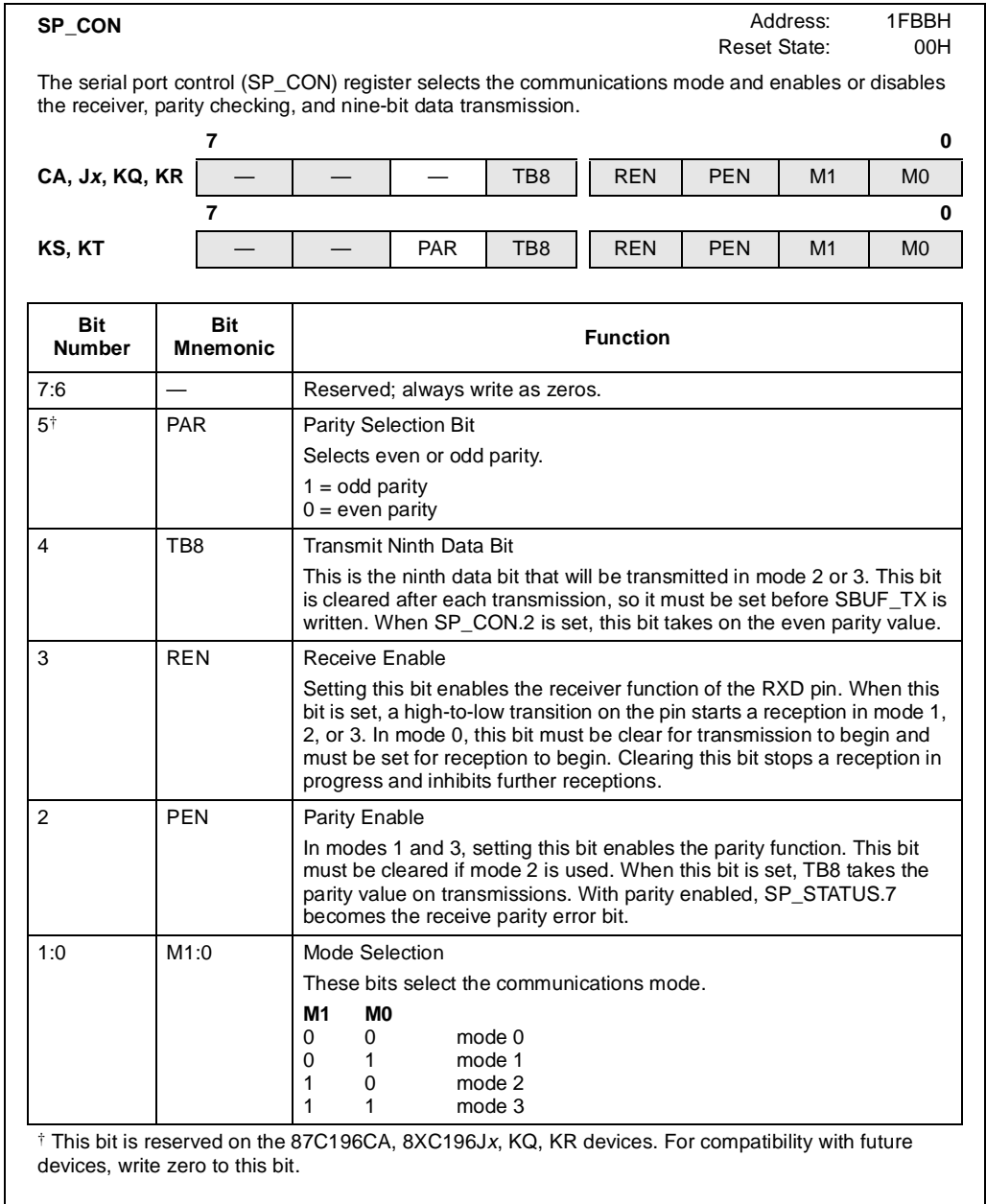


Figure 7-6. Serial Port Control (SP_CON) Register

7.4.3 Programming the Baud Rate and Clock Source

The SP_BAUD register (Figure 7-7) selects the clock input for the baud-rate generator and defines the baud rate for all serial I/O modes. This register acts as a control register during write operations and as a down-counter monitor during read operations.

WARNING

Writing to the SP_BAUD register during a reception or transmission can corrupt the received or transmitted data. Before writing to SP_BAUD, check the SP_STATUS register to ensure that the reception or transmission is complete.

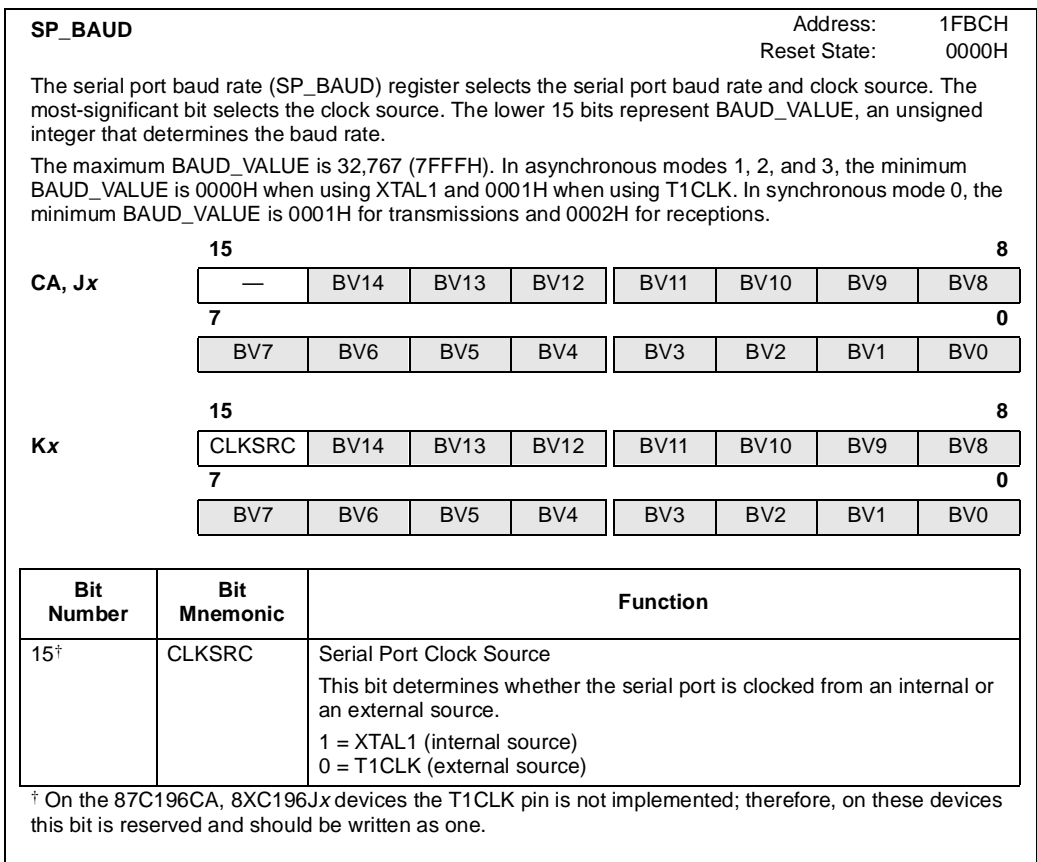


Figure 7-7. Serial Port Baud Rate (SP_BAUD) Register

SP_BAUD (Continued)		Address:	1FBCH
		Reset State:	0000H
<p>The serial port baud rate (SP_BAUD) register selects the serial port baud rate and clock source. The most-significant bit selects the clock source. The lower 15 bits represent BAUD_VALUE, an unsigned integer that determines the baud rate.</p> <p>The maximum BAUD_VALUE is 32,767 (7FFFH). In asynchronous modes 1, 2, and 3, the minimum BAUD_VALUE is 0000H when using XTAL1 and 0001H when using T1CLK. In synchronous mode 0, the minimum BAUD_VALUE is 0001H for transmissions and 0002H for receptions.</p>			
CA, Jx	15	8	
	7	0	
	—	BV14	BV13
	BV12	BV11	BV10
	BV9	BV8	
	BV7	BV6	BV5
	BV4	BV3	BV2
	BV1	BV0	
Kx	15	8	
	7	0	
	CLKSRC	BV14	BV13
	BV12	BV11	BV10
	BV9	BV8	
	BV7	BV6	BV5
	BV4	BV3	BV2
	BV1	BV0	

Bit Number	Bit Mnemonic	Function
14:0	BV14:0	<p>These bits constitute the BAUD_VALUE.</p> <p>Use the following equations to determine the BAUD_VALUE for a given baud rate.</p> <p>Synchronous mode 0:††</p> $\text{BAUD_VALUE} = \frac{F_{\text{Osc}}}{\text{Baud Rate} \times 2} - 1 \quad \text{or} \quad \frac{T1\text{CLK}}{\text{Baud Rate}}$ <p>Asynchronous modes 1, 2, and 3:</p> $\text{BAUD_VALUE} = \frac{F_{\text{Osc}}}{\text{Baud Rate} \times 16} - 1 \quad \text{or} \quad \frac{T1\text{CLK}}{\text{Baud Rate} \times 8}$ <p>†† For mode 0 receptions, the BAUD_VALUE must be 0002H or greater. Otherwise, the resulting data in the receive shift register will be incorrect.</p>

† On the 87C196CA, 8XC196Jx devices the T1CLK pin is not implemented; therefore, on these devices this bit is reserved and should be written as one.

Figure 7-7. Serial Port Baud Rate (SP_BAUD) Register (Continued)

CAUTION

For mode 0 receptions, the BAUD_VALUE must be 0002H or greater. Otherwise, the resulting data in the receive shift register will be incorrect.

The reason for this restriction is that the receive shift register is clocked from an internal signal rather than the signal on TXD. Although these two signals are normally synchronized, the internal signal generates one clock before the first pulse transmitted by TXD and this first clock signal is not synchronized with TXD. This clock signal causes the receive shift register to shift in whatever data is present on the RXD pin. This data is treated as the least-significant bit (LSB) of the reception. The reception then continues in the normal synchronous manner, but the data received is shifted left by one bit because of the false LSB. The seventh data bit transmitted is received as the most-significant bit (MSB), and the transmitted MSB is never shifted into the receive shift register.

Using XTAL1 at 16 MHz, the maximum baud rates are 2.76 Mbaud (SP_BAUD = 8002H or 0002H) for mode 0 and 1.0 Mbaud for modes 1, 2, and 3. Table 7-3 shows the SP_BAUD values for common baud rates when using a 16 MHz XTAL1 clock input. Because of rounding, the BAUD_VALUE formula is not exact and the resulting baud rate is slightly different than desired. Table 7-3 shows the percentage of error when using the sample SP_BAUD values. In most cases, a serial link will work with up to 5.0% difference in the receiving and transmitting baud rates.

Table 7-3. SP_BAUD Values When Using XTAL1 at 16 MHz

Baud Rate	SP_BAUD Register Value (Note 1)		% Error	
	Mode 0	Mode 1, 2, 3	Mode 0	Mode 1, 2, 3
9600	8340H	8067H	0.04	0.16
4800	8682H	80CFH	0.02	0.16
2400	8D04H	81A0H	0.01	0.08
1200	9A0AH	8340H	0	0.04
300	E82BH	8D04H	0	0.01

NOTE:

1. Bit 15 is always set when XTAL1 is selected as the clock source for the baud-rate generator.

7.4.4 Enabling the Serial Port Interrupts

The serial port has both a transmit interrupt (TI) and a receive interrupt (RI). To enable an interrupt, set the corresponding mask bit in the interrupt mask register (see Table 7-2 on page 7-2) and execute the EI instruction to globally enable servicing of interrupts. See Chapter 5, “Standard and PTS Interrupts,” for more information about interrupts.

7.4.5 Determining Serial Port Status

You can read the SP_STATUS register (Figure 7-8) to determine the status of the serial port. Reading SP_STATUS **clears all bits** except TXE. For this reason, we recommend that you copy the contents of the SP_STATUS register into a shadow register and then execute bit-test instructions such as JBC and JBS on the shadow register. Otherwise, executing a bit-test instruction clears the flags, so any subsequent bit-test instructions will return false values. You can also read the interrupt pending register (see Table 7-2 on page 7-2) to determine the status of the serial port interrupts.

SP_STATUS		Address: 1FB9H
		Reset State: 0BH
The serial port status (SP_STATUS) register contains bits that indicate the status of the serial port.		
7	0	
RPE/RB8	RI	TI
FE	TXE	OE
—	—	—
—	—	—

Bit Number	Bit Mnemonic	Function
7	RPE/RB8	Received Parity Error/Received Bit 8 RPE is set if parity is disabled (SP_CON.2=0) and the ninth data bit received is high. RB8 is set if parity is enabled (SP_CON.2=1) and a parity error occurred. Reading SP_STATUS clears this bit.
6	RI	Receive Interrupt This bit is set when the last data bit is sampled. Reading SP_STATUS clears this bit. This bit need not be clear for the serial port to receive data.
5	TI	Transmit Interrupt This bit is set at the beginning of the stop bit transmission. Reading SP_STATUS clears this bit.
4	FE	Framing Error This bit is set if a stop bit is not found within the appropriate period of time. Reading SP_STATUS clears this bit.
3	TXE	SBUF_TX Empty This bit is set if the transmit buffer is empty and ready to accept up to two bytes. It is cleared when a byte is written to SBUF_TX.
2	OE	Overrun Error This bit is set if data in the receive shift register is loaded into SBUF_RX before the previous bit is read. Reading SP_STATUS clears this bit.
1:0	—	Reserved. These bits are undefined.

Figure 7-8. Serial Port Status (SP_STATUS) Register

The receiver checks for a valid stop bit. Unless a stop bit is found within the appropriate time, the framing error (FE) bit in the SP_STATUS register is set. When the stop bit is detected, the data in the receive shift register is loaded into SBUF_RX and the receive interrupt (RI) flag is set. If this happens before the previous byte in SBUF_RX is read, the overrun error (OE) bit is set. SBUF_RX always contains the latest byte received; it is never a combination of the two bytes.

The receive interrupt (RI) flag indicates whether an incoming data byte has been received. The transmit interrupt (TI) flag indicates whether a data byte has finished transmitting. These flags also set the corresponding bits in the interrupt pending register. A reception or transmission sets the RI or TI flag in SP_STATUS and the corresponding interrupt pending bit. However, a software write to the RI or TI flag in SP_STATUS has no effect on the interrupt pending bits and does not cause an interrupt. Similarly, reading SP_STATUS clears the RI and TI flags, but does not clear the corresponding interrupt pending bits. The RI and TI flags in the SP_STATUS and the corresponding interrupt pending bits can be set even if the RI and TI interrupts are masked.

The transmitter empty (TXE) bit is set if SBUF_TX and its buffer are empty and ready to accept up to two bytes. TXE is cleared as soon as a byte is written to SBUF_TX. One byte may be written if TI alone is set. By definition, if TXE has just been set, a transmission has completed and TI is set.

The received parity error (RPE) flag or the received bit 8 (RB8) flag applies for parity enabled or disabled, respectively. If parity is enabled, RPE is set if a parity error is detected. If parity is disabled, RB8 is the ninth data bit received in modes 2 and 3.

7.5 PROGRAMMING EXAMPLE USING AN INTERRUPT-DRIVEN ROUTINE

This programming example is an interrupt-driven “putchar” and “getchar” routine that allows you to set the size of the transmit and receive buffers, the baud rate, and the operating frequency.

```
#pragma model(kr)
#pragma interrupt(receive=28,transmit=27)

#ifdef EVAL_BOARD

/* Reserve the 9 bytes required by eval board */

char reserve[9];
#pragma locate(reserve=0x30)

#else

/* Initialize the chip configuration bytes */
const unsigned int ccr[2] = {0x20FF,0x20DE};
#pragma locate(ccr = 0x2018)

#endif
```

```

#define TRANSMIT_BUF_SIZE 20
#define RECEIVE_BUF_SIZE 20
#define WINDOW_SELECT    0x1F

#define FREQUENCY (long)16000000    /* 16 MHz */
#define BAUD_RATE_VALUE 9600
#define BAUD_REG ((unsigned int)(FREQUENCY/((long)BAUD_RATE_VALUE*16)-1)+0x8000)

#define RI_BIT    0x40
#define TI_BIT    0x20

unsigned char status_temp;

/*  image of SP_STATUS to preserve the RI and TI bits on a read.  */
/*  receive and transmit buffers and their indexes      */

unsigned char trans_buff[TRANSMIT_BUF_SIZE];
unsigned char receive_buff[RECEIVE_BUF_SIZE];

char begin_trans_buff,end_trans_buff;
char end_rec_buff,begin_rec_buff;

/*  declares and locates the special function registers  */

volatile register unsigned char port2_reg, port2_dir, port2_mode;
volatile register unsigned char wsr;

volatile unsigned char sbuf_tx, sbuf_rx, SP_STATUS, sp_con;
volatile unsigned char int_mask1, int_pend1;
volatile unsigned int sp_baud;

#pragma locate(sbuf_tx=0xba,sbuf_rx=0xb8,SP_STATUS=0xb9h)
#pragma locate(sp_con=0xbb,sp_baud=0xbc)
#pragma locate(int_mask1=0x13,int_pend1=0x12)

#pragma locate(wsr=0x14)
#pragma locate(port2_reg = 0xcd)
#pragma locate(port2_dir = 0xcb)
#pragma locate(port2_mode = 0xc9)

void transmit(void)          /*  serial interrupt routine  */
{
    wsr = WINDOW_SELECT;
    status_temp |= SP_STATUS;    /*  image SP_STATUS into status_temp  */

    /*  transmit a character if there is a character in the buffer  */
    if(begin_trans_buff!=end_trans_buff)
    {
        sbuf_tx=trans_buff[begin_trans_buff];    /*  transmit character  */

        /*  The next statement makes the buffer circular by starting over when the
            index reaches the end of the buffer.  */

        if(++begin_trans_buff>TRANSMIT_BUF_SIZE - 1)begin_trans_buff=0;
        status_temp &= (~TI_BIT);    /*  clear TI bit in status_temp.  */
    }
}

```



```

void receive(void)          /* serial interrupt routine */
{
    wsr = WINDOW_SELECT;
    status_temp |= SP_STATUS; /* image SP_STATUS into status_temp */

    /* If the input buffer is full, the last character will be ignored,
    and the BEL character is output to the terminal. */

    if(end_rec_buff+1==begin_rec_buff || (end_rec_buff==RECEIVE_BUF_SIZE-1 &&
        !begin_rec_buff))
    {
        /* input overrun code */
    }
    else
    {
        /* The next statement makes the buffer circular by starting over when the
        index reaches the end of the buffer. */

        if(++end_rec_buff > RECEIVE_BUF_SIZE - 1) end_rec_buff=0;
        receive_buff[end_rec_buff]=sbuf_rx; /* place character in buffer */
    }
    status_temp &= (~RI_BIT); /* clear RI bit in status_temp. */
    int putchar(int c)
    {
        /* remain in loop while the buffer is full. This is done by checking
        the end of buffer index to make sure it does not overrun the
        beginning of buffer index. The while instruction checks the case
        when the end index is one less than the beginning index and at the
        end of the buffer when the beginning index may be equal to 0 and
        the end buffer index may be at the buffer end. */

        while((end_trans_buff+1==begin_trans_buff)||
            (end_trans_buff==TRANSMIT_BUF_SIZE -1 && !begin_trans_buff));

        trans_buff[end_trans_buff]=c; /* put character in buffer */
        if(++end_trans_buff>TRANSMIT_BUF_SIZE - 1) /* make buffer appear circular */
            end_trans_buff=0;
        if(status_temp & TI_BIT) int_pendl |= 0x08; /* If transmit buffer was empty,
        then cause an interrupt to
        start transmitting. */
    }

    unsigned char getchar()
    {
        while(begin_rec_buff==end_rec_buff); /* remain in loop while there is
        not a character available. */
        if(++begin_rec_buff>RECEIVE_BUF_SIZE - 1) /* make buffer appear circular */
            begin_rec_buff=0;
        return(receive_buff[begin_rec_buff]); /* return the character in buffer */
    }

    main()
    {
        char c;
        wsr=WINDOW_SELECT;
        sp_baud = BAUD_REG; /* set baud rate as described in Figure 7-7 on page 7-10*/
        sp_con = 0x09; /* mode 1, no parity, receive enabled, no 9th bit */
        status_temp=SP_STATUS;
    }

```

```
port2_reg |= 0xFF;      /* Init port2 reg */
port2_dir  &= 0xFE;     /* TXD output */
port2_mode |= 0x03;     /* p2.4-6 lsio */

wsr=0;
end_rec_buff=0;        /* initialize buffer pointers */
begin_rec_buff=0;
end_trans_buff=0;
begin_trans_buff=0;
status_temp = TI_BIT; /* allow for initial transmission */
int_mask1=0x18;       /* enable the serial port interrupt */

enable();             /* global enable of interrupts */

while((c=getchar()) != 0x1b) /* stay in loop until escape key pressed */
    printf("key pressed = %02X\n\r",c);
}
```




8

Synchronous Serial I/O (SSIO) Port



CHAPTER 8 SYNCHRONOUS SERIAL I/O (SSIO) PORT

This device has a synchronous serial I/O (SSIO) port that shares pins with port 6. This chapter describes the SSIO port and explains how to program it. Chapter 6, “I/O Ports,” explains how to configure the port pins for their special functions. Refer to Appendix B for details about the signals discussed in this chapter.

8.1 SYNCHRONOUS SERIAL I/O (SSIO) PORT FUNCTIONAL OVERVIEW

The synchronous serial I/O (SSIO) port provides for simultaneous, bidirectional communications between this device and another synchronous serial I/O device. The SSIO port consists of two identical transceiver channels. A single dedicated baud-rate generator controls the baud rate of the SSIO port (15.625 kHz to 2.0 MHz at 16 MHz). Figure 8-1 is a block diagram of the SSIO port showing a master and slave configuration.

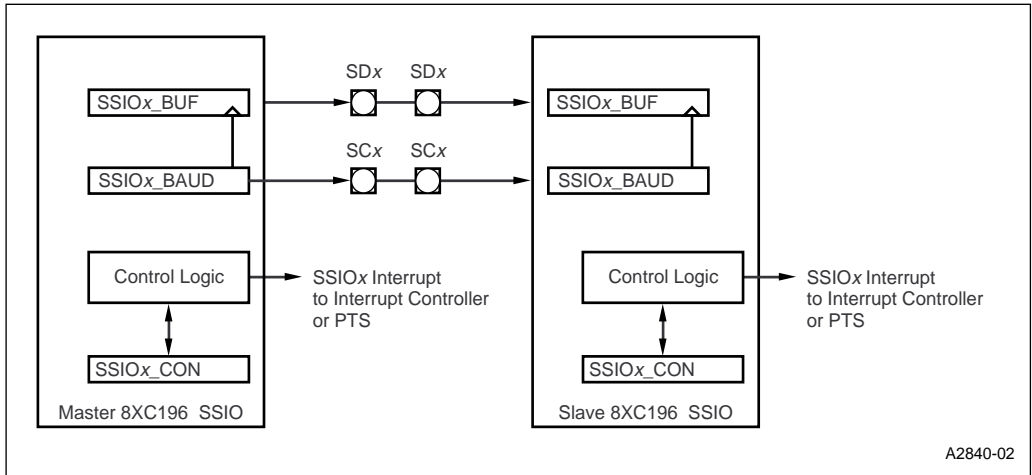


Figure 8-1. SSIO Block Diagram

8.2 SSIO PORT SIGNALS AND REGISTERS

Table 8-1 describes the SSIO signals and Table 8-2 describes the control and status registers.

Table 8-1. SSIO Port Signals

Port Pin	SSIO Port Signal	SSIO Port Signal Type	Description
P6.4	SC0	I/O	<p>SSIO0 Clock Pin</p> <p>This pin transmits a clock signal when SSIO0 is configured as a master and receives a clock signal when it is configured as a slave.</p> <p>SC0 carries a clock signal only during receptions and transmissions. The SC0 pin clocks once for each bit transmitted or received (eight clocks per transmission or reception). When the SSIO port is idle, the pin remains either high (with handshaking) or low (without handshaking).</p> <p>Handshaking mode requires an external pull-up resistor.</p>
P6.5	SD0	I/O	<p>SSIO0 Data Pin</p> <p>SD0 transmits data when SSIO0 is configured as a transmitter and receives data when it is configured as a receiver.</p>
P6.6	SC1	I/O	<p>SSIO1 Clock Pin</p> <p>This pin transmits a clock signal when SSIO1 is configured as a master and receives a clock signal when it is configured as a slave.</p> <p>SC1 carries a clock signal only during receptions and transmissions. This pin carries a clock signal only during receptions and transmissions. The SC1 pin clocks once for each bit transmitted or received (eight clocks per transmission or reception). When the SSIO port is idle, the pin remains either high (with handshaking) or low (without handshaking).</p>
P6.7	SD1	I/O	<p>SSIO1 Data Pin</p> <p>SD1 transmits data when SSIO1 is configured as a transmitter and receives data when it is configured as a receiver.</p>

Table 8-2. SSIO Port Control and Status Registers

Mnemonic	Address	Description
INT_MASK1	0013H	<p>Interrupt Mask 1</p> <p>Setting the SSIO0 bit of this register enables the SSIO channel 0 transfer interrupt; clearing the bit disables (masks) the interrupt.</p> <p>Setting the SSIO1 bit of this register enables the SSIO channel 1 transfer interrupt; clearing the bit disables (masks) the interrupt.</p>

NOTE: Always write zeros to the reserved bits in these registers.

Table 8-2. SSIO Port Control and Status Registers (Continued)

Mnemonic	Address	Description
INT_PEND1	0012H	Interrupt Pending 1 When set, SSIO0 indicates a pending channel 0 transfer interrupt. When set, SSIO1 indicates a pending channel 1 transfer interrupt.
P6_DIR	1FD2H	Port 6 Direction This register selects the direction of each port 6 pin. Clear P6_DIR.7:4 to configure SD1 (P6.7), SC1 (P6.6), SD0 (P6.5), and SC0 (P6.4) as high-impedance inputs/open-drain outputs.
P6_MODE	1FD1H	Port 6 Mode This register selects either the general-purpose input/output function or the peripheral function for each pin of port 6. Set P6_MODE.7:4 to configure SD1 (P6.7), SC1 (P6.6), SD0 (P6.5), and SC0 (P6.4) for the SSIO.
P6_PIN	1FD7H	Port 6 Pin State Read P6_PIN to determine the current values of SD1 (P6.7), SC1 (P6.6), SD0 (P6.5), and SC0 (P6.4).
P6_REG	1FD5H	Port 6 Output Data This register holds data to be driven out on the pins of port 6. For pins serving as inputs, set the corresponding P6_REG bits; for pins serving as outputs, write the data to be driven out on the pins to the corresponding P6_REG bits.
SSIO_BAUD	1FB4H	SSIO Baud Rate This register enables and disables the baud-rate generator and selects the SSIO baud rate.
SSIO0_BUF SSIO1_BUF	1FB0H 1FB2H	SSIO Receive and Transmit Buffers These registers contain either received data or data for transmission, depending on the communications mode. Data is shifted into this register from the SDx pin or from this register to the SDx pin, with the most-significant bit first.
SSIO0_CON SSIO1_CON	1FB1H 1FB3H	These registers control the communications mode and handshaking and reflect the status of the SSIO channels.

NOTE: Always write zeros to the reserved bits in these registers.

8.3 SSIO OPERATION

Each SSIO channel can be configured as either master or slave and as either transmitter or receiver, allowing the channels to communicate in several bidirectional, single-byte transfer modes (Figure 8-2). A master device **transmits** a clock signal; a slave device **receives** a clock signal.

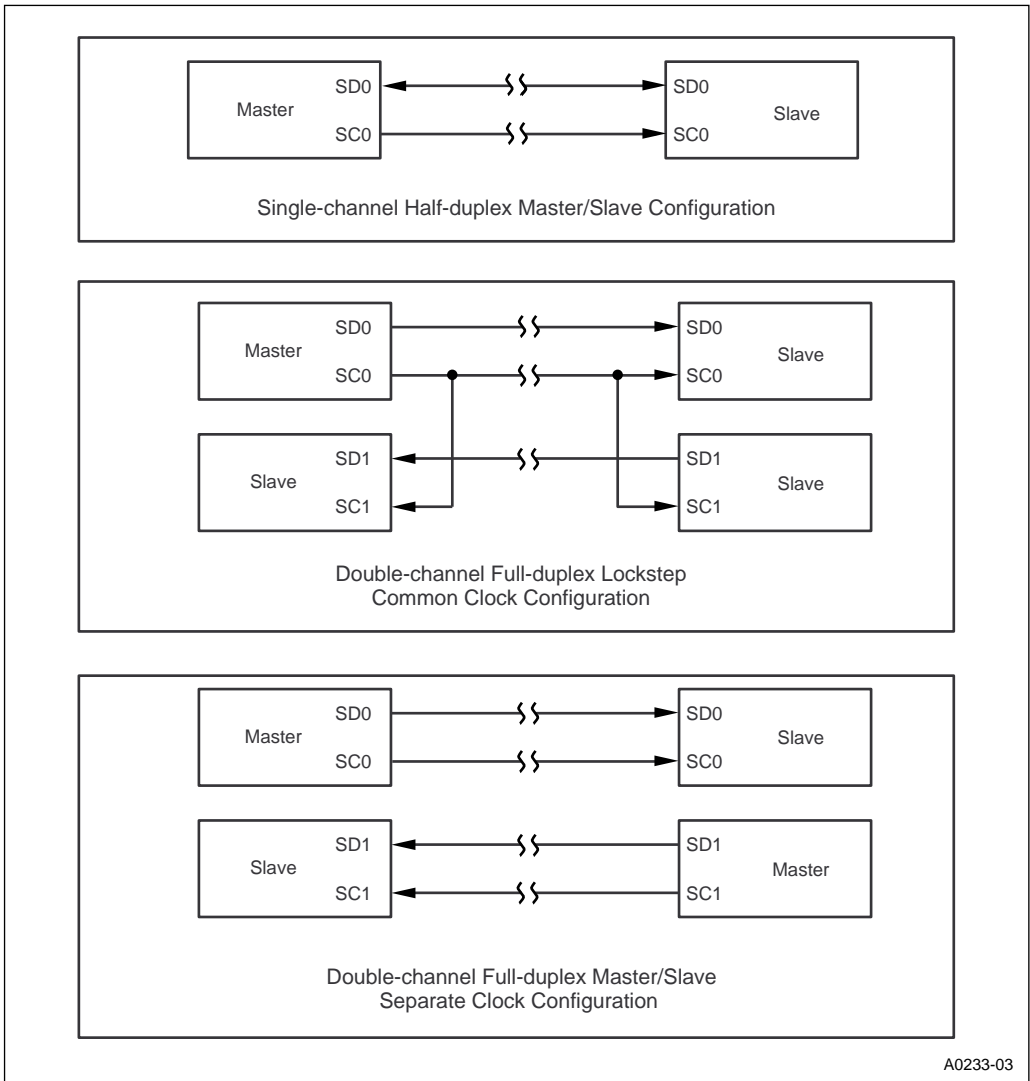


Figure 8-2. SSIO Operating Modes

- One channel can act as master transceiver to communicate with compatible protocols in half-duplex mode. This mode requires one data input/output pin and one clock output pin.
- One channel can act as slave transceiver to communicate with compatible protocols in half-duplex mode. This mode requires one data input/output pin and one clock input pin.

- The two channels can operate together, from the same clock, as master transceivers to communicate in lockstep (mutually synchronous), full-duplex mode. This mode requires one data input pin, one data output pin, and two clock pins (the clock output pin from one channel connected to the clock input pin of the other).
- The two channels can operate together, from the same clock, as slave transceivers to communicate in lockstep (mutually synchronous), full-duplex mode. This mode requires one data input pin, one data output pin, and two clock input pins.
- The two channels can operate independently, with different clocks, to communicate in non-lockstep, full-duplex mode. In this mode, one channel acts as slave (receives a clock) and the other acts as master (transmits a clock). This mode requires a data input pin, a data output pin, a clock input pin, and a clock output pin.

The SSIO channels can also operate in handshaking modes for unidirectional, multi-byte transfers. These modes enable a master device to perform SSIO transfers using the PTS. Handshaking prevents a data underflow or overflow from occurring at the slave. It takes place in hardware, using the clock pins, with no CPU overhead.

- The two channels can operate with handshaking enabled, in full-duplex mode. One channel acts as slave and the other acts as master. This mode requires four pins.
- The two channels can operate with handshaking enabled, in half-duplex mode. One channel acts as slave and the other acts as master. This mode requires two pins.

Each channel contains an 8-bit buffer register, SSIO_x_BUF, and logic to clock the data into and out of the transceiver. In receive mode, data is shifted (MSB first) from the SD_x pin into SSIO_x_BUF. In transmit mode, data is shifted from SSIO_x_BUF onto the SD_x pin. The receiver latches data from the transmitter on the rising edge of SC_x and the transmitter changes (or floats) output data on the falling edge of SC_x.

In the handshaking modes, the clock polarities are reversed, so the corresponding clock edges are also reversed. The clock pin, SC_x, must be configured as an open-drain output in both master and slave modes. (This configuration requires an external pull-up.) The master leaves the SC_x output high at the end of each byte transfer. The slave pulls its clock input low when it is busy. (In receive mode, the slave is busy when the buffer is full; in transmit mode, the slave is busy when the buffer is empty.) The slave releases SC_x when it is ready to receive or transmit. The master waits for SC_x to return high before attempting the next transfer. Figure 8-3 illustrates transmit and receive timings with and without handshaking.

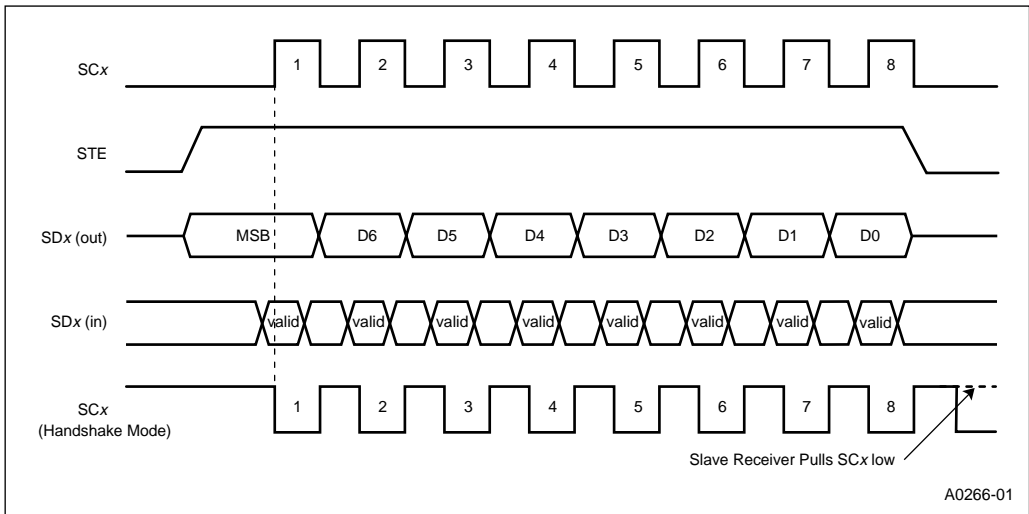


Figure 8-3. SSIO Transmit/Receive Timings

8.4 SSIO HANDSHAKING

Handshaking (Figure 8-4) prevents a data underflow or overflow from occurring at the slave, which enables a master device to perform SSIO data transfers using the PTS. Without handshaking, data overflows and underflows would make it nearly impossible to use the PTS for transferring blocks of data. Handshaking takes place in hardware, using the clock pins, with no CPU overhead. When the master is the transmitter and the slave is the receiver, the slave pulls the clock line low until it is ready to receive a byte. This prevents a data overflow at the slave. In the opposite configuration, the slave pulls the clock line low until its buffer is loaded with data. This prevents a data underflow at the slave.

8.4.1 SSIO Handshaking Configuration

To use the PTS with the SSIO in handshaking mode, the SSIO channels must be configured as follows:

- Channels must be auto-enabled (both the ATR and STE bits in SSIOx_CON must be set).
- Handshaking mode must be selected (the THS bit in SSIOx_CON must be set).
- The clock pin, SCx, must be configured as a special-function, open-drain output in both master and slave. (This requires an external pull-up resistor.)

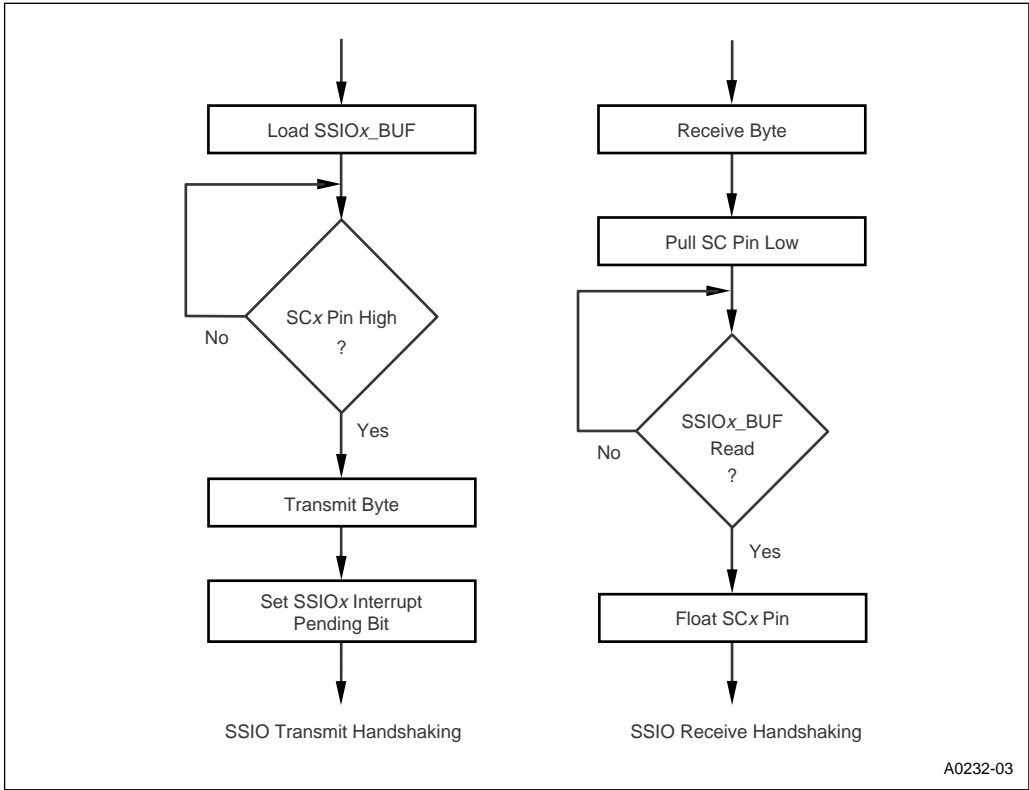


Figure 8-4. SSIO Handshaking Flow Diagram

8.4.2 SSIO Handshaking Operation

When handshaking is enabled, the slave pulls its clock input (SCx) low whenever it is busy. (In receive mode, the slave is busy when the buffer is full; in transmit mode, the slave is busy when the buffer is empty.) This happens automatically one to two state times after the rising clock edge corresponding to the last data bit of the transmitted 8-bit packet. The slave releases its SCx line only after the CPU reads from or writes to SSIOx_BUF, which clears the transmit buffer status (TBS) bit in SSIOx_CON and indicates that SSIOx_BUF is available for another packet to be received or transmitted.

When handshaking is enabled, the master leaves its clock output (SCx) high at the end of each byte transfer. This allows the slave to pull the clock line low if its SSIOx_BUF register is unavailable for the next transfer. The master waits for the clock line to return high before it attempts the next transfer. (If handshaking is not enabled for the master, the master drives the clock line low between transfers.)

The following example describes how the master can transmit 16 bytes of data to the slave through the PTS, using this optional handshaking capability.

1. These four steps can occur in any order:
 - You initialize the master as a transmitter and the slave as a receiver.
 - The master prepares 16 bytes for transmission and places them in RAM.
 - The master initializes a PTS channel to move data from RAM to SSIO_x_BUF.
 - The slave initializes a PTS channel to move data from SSIO_x_BUF to RAM.
2. You set the master's SSIO_x interrupt pending bit in the INT_PEND1 register.
3. The PTS transfers a byte to SSIO_x_BUF.
4. The slave pulls the clock line low until it is ready to receive a byte, then allows the clock line to float (allowing the external resistor to pull it up).
5. The master detects the high clock line and transmits the byte.
6. When the master finishes transmitting the byte, it sets its SSIO_x interrupt pending bit in INT_PEND1 and allows the clock line to float.
7. When the slave finishes receiving the byte, it sets its SSIO_x interrupt pending bit in INT_PEND1.
8. Steps 3 through 7 are repeated until the PTS byte count reaches 0.
9. The next interrupt requests PTS service.

8.5 PROGRAMMING THE SSIO PORT

To use the SSIO port, you must configure the port pins to serve as special-function signals, then set up the SSIO channels.

8.5.1 Configuring the SSIO Port Pins

Before you can use the SSIO port, you must configure the necessary port 6 pins to serve as their special-function signals. Handshaking mode requires that both the master and slave SCx pins be configured as open-drain outputs. (This configuration requires external pull-up resistors.) Table 8-1 on page 8-2 lists the pins associated with the SSIO port, and Table 8-2 lists the port configuration registers. See Chapter 6 for configuration details.

8.5.2 Programming the Baud Rate and Enabling the Baud-rate Generator

The SSIO_BAUD register (Figure 8-5 on page 8-10) defines the baud rate and enables the baud-rate generator. This register acts as a control register during write operations and as a down-counter monitor during read operations. The baud-rate generator provides an internal clock to the transceiver channels. The frequency ranges from $F_{OSC}/8$ to $F_{OSC}/1024$. With a 16-MHz oscillator frequency, this corresponds to a range from a maximum of 2.0 MHz to a minimum of 15.625 kHz. Table 8-3 lists SSIO_BAUD values for common baud rates.

Table 8-3. Common SSIO_BAUD Values at 16 MHz

Baud Rate	SSIO_BAUD Value [†]
(Maximum) 2.0 MHz	80H
100.0 kHz	93H
64.52 kHz	9DH
50.0 kHz	A7H
25.0 kHz	CFH
(Minimum) 15.625 kHz	FFH

[†]Bit 7 must be set to enable the baud-rate generator.

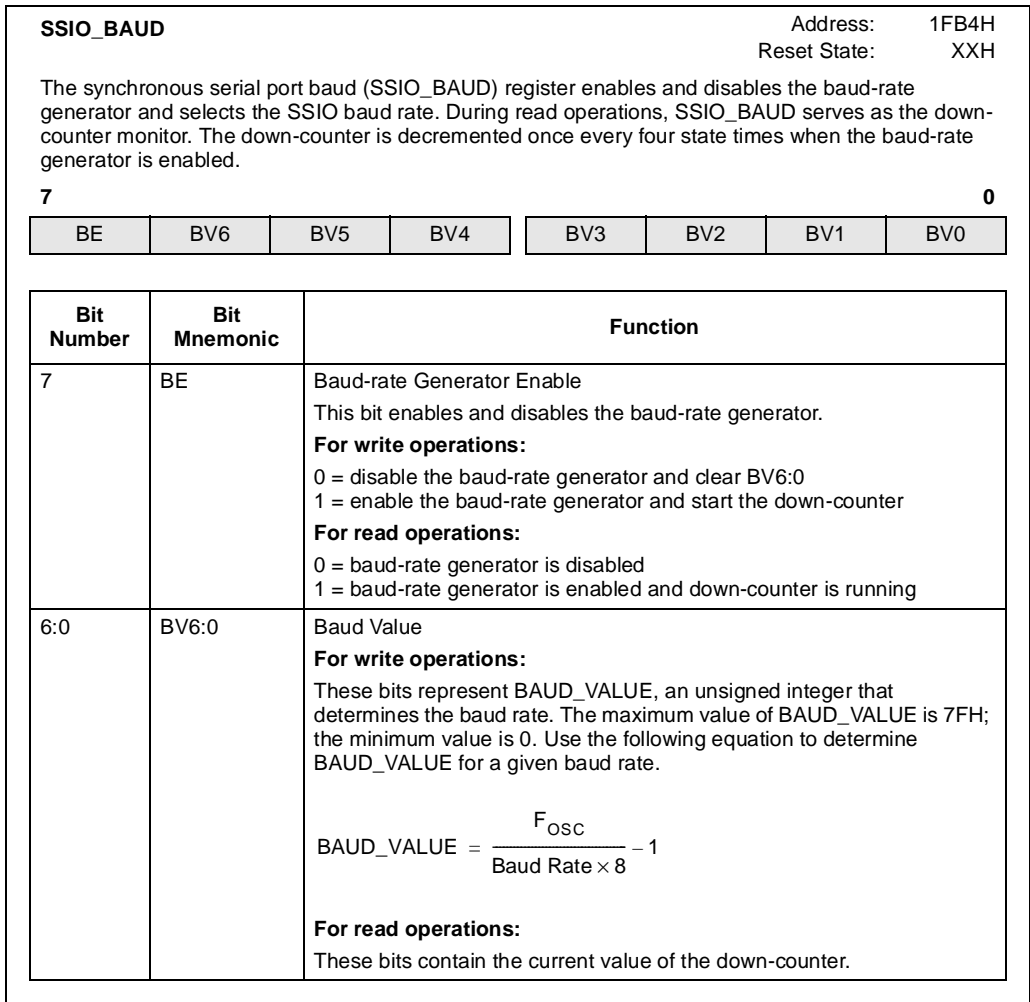


Figure 8-5. Synchronous Serial Port Baud (SSIO_BAUD) Register

8.5.3 Controlling the Communications Mode and Handshaking

The SSIOx_CON register (Figure 8-6) controls the communications mode and handshaking. The two least-significant bits indicate whether an underflow or overflow has occurred and whether the channel is ready to transmit or receive.

<p>SSIO_x_CON x = 0–1</p> <p>The synchronous serial control x (SSIO_x_CON) registers control the communications mode and handshaking. The two least-significant bits indicate whether an overflow or underflow has occurred and whether the channel is ready to transmit or receive.</p>	<p>Address: 1FB1H, 1FB3H Reset State: 00H</p>						
7	0						
M/S#	T/R#	TRT	THS	STE	ATR	OUF	TBS
Bit Number	Bit Mnemonic	Function					
7 [†]	M/S#	Master/Slave Select Configures the channel as either master or slave. 0 = slave; SC _x is an external clock input to SSIO _x _BUF 1 = master; SC _x is an output driven by the SSIO baud-rate generator					
6 [†]	T/R#	Transmit/Receive Select Configures the channel as either transmitter or receiver. 0 = receiver; SD _x is an input to SSIO _x _BUF 1 = transmitter; SD _x is an output driven by the output of SSIO _x _BUF					
5	TRT	Transmitter/Receiver Toggle Controls whether receiver and transmitter switch roles at the end of each transfer. 0 = do not switch 1 = switch; toggle T/R# and clear TRT at the end of the current transfer Setting TRT allows the channel configuration to change immediately on transfer completions, thus avoiding possible contention on the data line.					
4	THS	Transceiver Handshake Select Enables and disables handshaking. The THS, STE, and ATR bits must be set for handshaking modes. 0 = disables handshaking 1 = enables handshaking					
3	STE	Single Transfer Enable Enables and disables transfer of a single byte. Unless ATR is set, STE is automatically cleared at the end of a transfer. The THS, STE, and ATR bits must be set for handshaking modes. 0 = disable transfers 1 = allow transmission or reception of a single byte					
[†] The M/S# and T/R# bits specify four possible configurations: master transmitter, master receiver, slave transmitter, or slave receiver.							

Figure 8-6. Synchronous Serial Control x (SSIO_x_CON) Registers

<p>SSIO_x_CON (Continued) x = 0–1</p> <p>The synchronous serial control x (SSIO_x_CON) registers control the communications mode and handshaking. The two least-significant bits indicate whether an overflow or underflow has occurred and whether the channel is ready to transmit or receive.</p>	<p>Address: 1FB1H, 1FB3H Reset State: 00H</p>												
<p>7</p> <table border="1" style="width: 100%; border-collapse: collapse; text-align: center;"> <tr> <td style="width: 12.5%;">M/S#</td> <td style="width: 12.5%;">T/R#</td> <td style="width: 12.5%;">TRT</td> <td style="width: 12.5%;">THS</td> <td style="width: 12.5%;">STE</td> <td style="width: 12.5%;">ATR</td> <td style="width: 12.5%;">OUF</td> <td style="width: 12.5%;">TBS</td> </tr> </table>	M/S#	T/R#	TRT	THS	STE	ATR	OUF	TBS	<p>0</p>				
M/S#	T/R#	TRT	THS	STE	ATR	OUF	TBS						
<table border="1" style="width: 100%; border-collapse: collapse;"> <thead> <tr> <th style="width: 10%;">Bit Number</th> <th style="width: 15%;">Bit Mnemonic</th> <th style="width: 75%;">Function</th> </tr> </thead> <tbody> <tr> <td style="text-align: center;">2</td> <td style="text-align: center;">ATR</td> <td> Automatic Transfer Re-enable Enables and disables subsequent transfers. The THS, STE, and ATR bits must be set for handshaking modes. 0 = allow automatic clearing of STE; disable subsequent transfers 1 = prevent automatic clearing of STE; allow transfer of next byte </td> </tr> <tr> <td style="text-align: center;">1</td> <td style="text-align: center;">OUF</td> <td> Overflow/Underflow Flag Indicates whether an overflow or underflow has occurred. An attempt to access SSIO_x_BUF during a byte transfer sets this bit. For the master (M/S# = 1) 0 = no overflow or underflow has occurred 1 = the core attempted to access SSIO_x_BUF during the current transfer For the slave (M/S# = 0) 0 = no overflow or underflow has occurred 1 = the core attempted to access SSIO_x_BUF during the current transfer or the master attempted to clock data into or out of the slave's SSIO_x_BUF before the buffer was available </td> </tr> <tr> <td style="text-align: center;">0</td> <td style="text-align: center;">TBS</td> <td> Transceiver Buffer Status Indicates the status of the channel's SSIO_x_BUF. For the transmitter (T/R# = 1) 0 = SSIO_x_BUF is full; waiting to transmit 1 = SSIO_x_BUF is empty; buffer available For the receiver (T/R# = 0) 0 = SSIO_x_BUF is empty; waiting to receive 1 = SSIO_x_BUF is full; data available </td> </tr> </tbody> </table>		Bit Number	Bit Mnemonic	Function	2	ATR	Automatic Transfer Re-enable Enables and disables subsequent transfers. The THS, STE, and ATR bits must be set for handshaking modes. 0 = allow automatic clearing of STE; disable subsequent transfers 1 = prevent automatic clearing of STE; allow transfer of next byte	1	OUF	Overflow/Underflow Flag Indicates whether an overflow or underflow has occurred. An attempt to access SSIO _x _BUF during a byte transfer sets this bit. For the master (M/S# = 1) 0 = no overflow or underflow has occurred 1 = the core attempted to access SSIO _x _BUF during the current transfer For the slave (M/S# = 0) 0 = no overflow or underflow has occurred 1 = the core attempted to access SSIO _x _BUF during the current transfer or the master attempted to clock data into or out of the slave's SSIO _x _BUF before the buffer was available	0	TBS	Transceiver Buffer Status Indicates the status of the channel's SSIO _x _BUF. For the transmitter (T/R# = 1) 0 = SSIO _x _BUF is full; waiting to transmit 1 = SSIO _x _BUF is empty; buffer available For the receiver (T/R# = 0) 0 = SSIO _x _BUF is empty; waiting to receive 1 = SSIO _x _BUF is full; data available
Bit Number	Bit Mnemonic	Function											
2	ATR	Automatic Transfer Re-enable Enables and disables subsequent transfers. The THS, STE, and ATR bits must be set for handshaking modes. 0 = allow automatic clearing of STE; disable subsequent transfers 1 = prevent automatic clearing of STE; allow transfer of next byte											
1	OUF	Overflow/Underflow Flag Indicates whether an overflow or underflow has occurred. An attempt to access SSIO _x _BUF during a byte transfer sets this bit. For the master (M/S# = 1) 0 = no overflow or underflow has occurred 1 = the core attempted to access SSIO _x _BUF during the current transfer For the slave (M/S# = 0) 0 = no overflow or underflow has occurred 1 = the core attempted to access SSIO _x _BUF during the current transfer or the master attempted to clock data into or out of the slave's SSIO _x _BUF before the buffer was available											
0	TBS	Transceiver Buffer Status Indicates the status of the channel's SSIO _x _BUF. For the transmitter (T/R# = 1) 0 = SSIO _x _BUF is full; waiting to transmit 1 = SSIO _x _BUF is empty; buffer available For the receiver (T/R# = 0) 0 = SSIO _x _BUF is empty; waiting to receive 1 = SSIO _x _BUF is full; data available											
<p>[†]The M/S# and T/R# bits specify four possible configurations: master transmitter, master receiver, slave transmitter, or slave receiver.</p>													

Figure 8-6. Synchronous Serial Control x (SSIO_x_CON) Registers (Continued)

8.5.4 Enabling the SSIO Interrupts

Each SSIO channel can generate an interrupt request if you enable the individual interrupt as well as globally enabling servicing of all maskable interrupts. The INT_MASK1 register enables and disables individual interrupts. To enable an SSIO interrupt, set the corresponding bit in INT_MASK1 (see Table 8-2 on page 8-2) and execute the EI instruction to globally enable interrupt servicing. See Chapter 5, “Standard and PTS Interrupts,” for more information about interrupts.

8.5.5 Determining SSIO Port Status

The SSIO_BAUD register (Figure 8-5 on page 8-10) indicates the current status and value of the down-counter. The SSIO_x_CON register (Figure 8-6) indicates whether an underflow or overflow has occurred and whether the channel is ready to transmit or receive. Read the INT_PEND1 register (see Table 8-2 on page 8-2) to determine the status of SSIO interrupts. See Chapter 5, “Standard and PTS Interrupts,” for details about interrupts.

8.6 PROGRAMMING CONSIDERATIONS

For transmissions, the time that you write to SSIO_x_BUF determines the data setup time (the length of time between data being placed on the data pin and the first clock edge on the clock pin). The reason for this anomaly is that the baud-rate down-counter starts when you write to SSIO_BAUD, but the transmission doesn't start until you write to SSIO_x_BUF. The write to SSIO_x_BUF can occur at any point during the count. Since the most-significant bit (MSB) doesn't change until the falling edge of SC_x (which is triggered by a counter overflow), the width of the MSB appears to vary (Figure 8-7). If you write to SSIO_x_BUF early in the count, the MSB seems relatively long. If you write to SSIO_x_BUF late in the count, the MSB seems relatively short.

For example, assume that you write 93H to SSIO_BAUD (the MSB enables the baud-rate generator, and the lower seven bits define the initial count value). As soon as this register is written, the down-counter starts decrementing from 13H. If the counter is at 11H when you write to SSIO_x_BUF, the MSB will remain on the data pin for approximately 8.5 μs. If the counter is at 03H when you write to SSIO_x_BUF, the MSB will remain on the data pin for only approximately 1.5 μs.

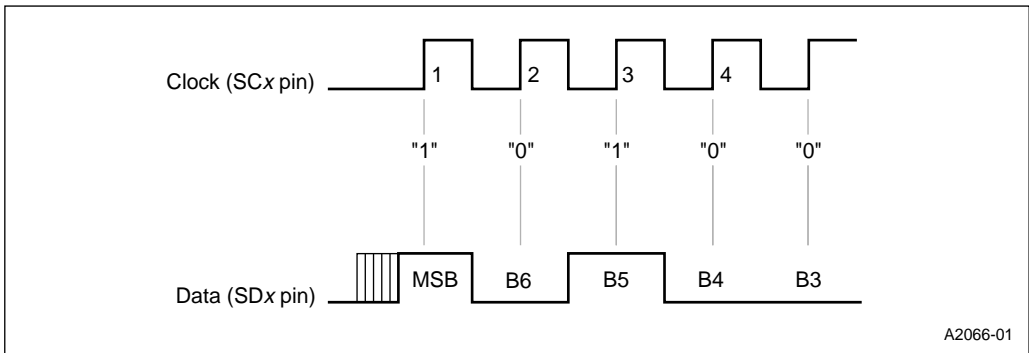


Figure 8-7. Variable-width MSB in SSIO Transmissions

NOTE

This condition exists only for the MSB. Once the MSB is clocked out, the remaining bits are clocked out consistently at the programmed frequency.

One way to achieve a consistent MSB bit length is to start the down-count at a fixed time, using these steps:

1. Clear SSIO_BAUD bit 7. This disables the baud-rate generator and clears the remaining bits (BV6:0).
2. Write the byte to be transmitted to SSIOx_BUF.
3. Set the STE bit in SSIOx_CON. This enables transfers and drives the MSB onto the data pin.
4. Disable interrupts.
5. Set the MSB of SSIO_BAUD and write the desired BAUD_VAL to the remaining bits. This enables the baud-rate generator and starts the down count.
6. Rewrite the byte to be transmitted to SSIOx_BUF. This starts the transmission.
7. Enable interrupts.

Using this procedure starts the clock at a known point before each transmission, establishing a predictable MSB bit time. Interrupts are disabled in step 4 and reenabled in step 7; otherwise, an interrupt could cause a similar problem between steps 5 and 6.

8.7 PROGRAMMING EXAMPLE

This code example configures SSIO0 as a master transmitter to send one byte of data to SSIO1, the slave receiver. First it sets up a window to allow register-direct access to the necessary registers. Next, it configures the clock and data pins. Since SSIO0 is sending data, SC0 (P6.4) and SD0 (P6.5) are configured as special-function complementary outputs. Since SSIO1 is receiving data, SC1 (P6.6) and SD1 (P6.7) are configured as special-function inputs. The example also sets up a register (result) to store the received data byte.

```

wsr          equ 014h:byte
p6_dir      equ 0d3h:byte      ;window to 1fd3h
p6_mode     equ 0d1h:byte      ;window to 1fd1h
p6_reg      equ 0d5h:byte      ;window to 1fd5h
ssio_baud   equ 0b4h:byte      ;window to 1fb4h
ssio0_con   equ 0b1h:byte      ;window to 1fb1h
ssio1_con   equ 0b3h:byte      ;window to 1fb3h
ssio0_buf   equ 0b0h:byte      ;window to 1fb0h
ssio1_buf   equ 0b2h:byte      ;window to 1fb2h
result      equ 122h:byte      ;register to store the received data byte

cseg at 2080h
  ldb wsr,#1fh                ;select window 1fh
  ldb p6_dir,#0c0h            ;set up SD1/SC1 as inputs and
                              ;set up SD0/SC0 as complementary outputs
  ldb p6_mode,#0f0h           ;set up SD1/SC1, SD0/SC0 as special-function
  ldb p6_reg,#0c0h           ;set up SD1/SC1 inputs (1), SD0/SC0 outputs (0)
  ldb ssio_baud,#80h         ;enable baud-rate generator at 2 MHz
  ldb ssio0_con,#0c9h        ;set up channel 0 as master transmitter
  ldb ssio1_con,#08h        ;set up channel 1 as slave receiver
  ldb ssio0_buf,#55h        ;transmit data 55h

d_wait:
  jbc ssio1_con,0,d_wait     ;wait for data to be received
  stb ssio1_buf,result      ;store received data in "result"

  sjmp $

end

```




9

Slave Port



CHAPTER 9 SLAVE PORT

The slave port offers an alternative for communication between two microcontrollers. Traditionally, design engineers have had three options for achieving this communication — a serial link, a parallel bus without a dual-port RAM (DPRAM), or a parallel bus with a DPRAM to hold shared data.

A serial link, the most common method, has several advantages: it uses only two pins from each device, it needs no hardware protocol, and it allows for error detection before data is stored. However, it is relatively slow and involves software overhead to differentiate data, addresses, and commands. A parallel bus increases communication speed, but requires more pins and a rather involved hardware and software protocol. Using a DPRAM offers software flexibility between master and slave devices, but the hardware interconnect uses a demultiplexed bus, which requires even more pins than a simple parallel connection does. The DPRAM is also costly, and error detection can be difficult. The SSIO offers a simple means for implementing a serial link. The multiplexed address/data bus can be used to implement a parallel link, with or without a DPRAM. The slave port offers a fourth alternative.

The slave port offers the advantages of the traditional methods, without their drawbacks. It brings the DPRAM on-chip, inside the microcontroller (Figure 9-1). With this configuration, the external processor (master) can simply read from and write to the on-chip memory of the 8XC196Kx (slave) processor. The slave port requires more pins than a serial link does, but fewer than the number used for a parallel bus. It requires no hardware protocol, and it can interface with either a multiplexed or a demultiplexed bus. The master CPU simply writes to or reads from the device as it would write or read any parallel interface device (such as a memory or an I/O port). Data error detection can be handled through the software.

NOTE

The slave port functions are not available on the 8XC196CA and Jx. The slave port shared memory mode is available only on the 8XC196KS and KT.

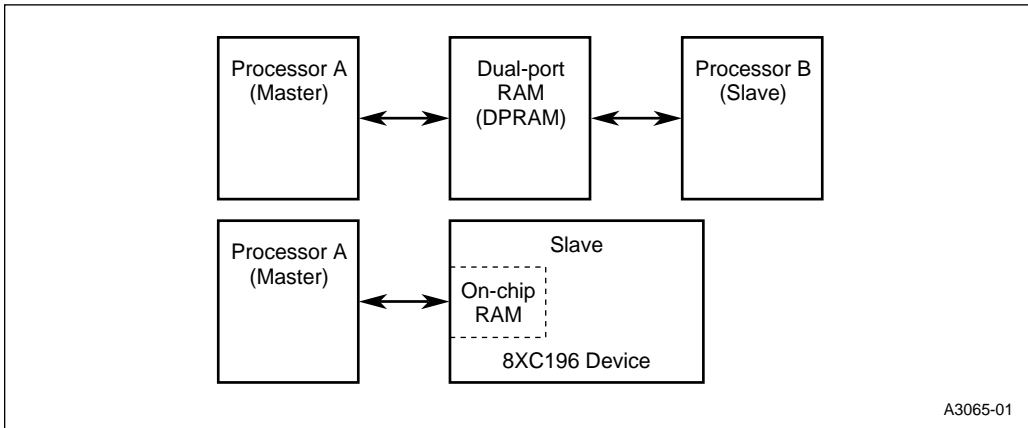


Figure 9-1. DPRAM vs Slave-Port Solution

9.1 SLAVE PORT FUNCTIONAL OVERVIEW

Figure 9-2 is a block diagram of the slave port. The slave port is a simple bus configuration that can interface to an external processor through an 8-bit address/data bus (SLP7:0). The slave 8XC196Kx processor communicates with the master (the external device) through the slave port registers. From the slave viewpoint, the status register and data output register are output-only registers that are latched onto the slave port address/data bus when SLPCS# and SLPRD# are both low. The command register and data input register are input-only registers that are written when SLPCS# and SLPWR# are both low.

9.2 SLAVE PORT SIGNALS AND REGISTERS

Table 9-1 lists the signals used for slave port operation. The bus-control output signals provided by P5.3:0 in normal operation become inputs for slave port operation, and P5.4 functions as SLPINT, the slave port interrupt signal. The P3.7:0 pins function as SLP7:0 to transfer byte-wide information between the slave device and the master CPU. If external memory is to be used while the slave port is enabled, external bus arbitration logic is required. Table 9-2 lists the registers that affect the function and indicate the status of the slave port.

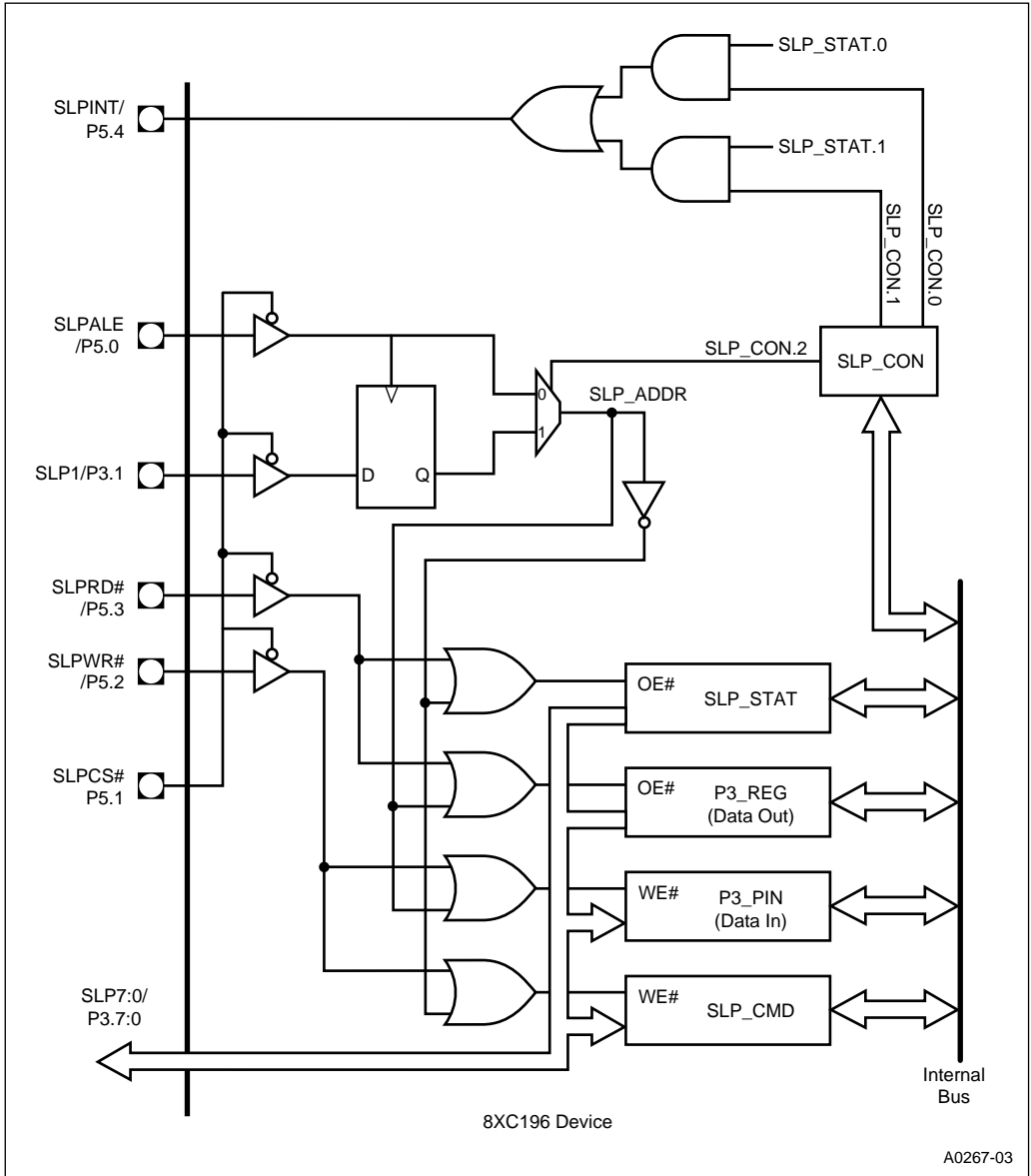


Figure 9-2. Slave Port Block Diagram

Table 9-1. Slave Port Signals

Port Pin	Slave Port Signal	Slave Port Signal Type	Description
P3.7:0	SLP7:0	I/O	Slave Port Address/Data bus Slave port address/data bus in multiplexed mode and slave port data bus in demultiplexed mode. In multiplexed mode, SLP1 is the source of the internal control signal, SLP_ADDR.
P5.0	SLPALE	I	Slave Port Address Latch Enable Functions as either a latch enable input to latch the value on SLP1 (with a multiplexed address/data bus) or as the source of the internal control signal, SLP_ADDR (with a demultiplexed address/data bus).
P5.1	SLPCS#	I	Slave Port Chip Select SLPCS# must be held low to enable slave port operation.
P5.2	SLPWR#	I	Slave Port Write Control Input This active-low signal is an input to the slave. The rising edge of SLPWR# latches data on port 3 into the P3_PIN or SLP_CMD register. SLPWR# is multiplexed with P5.2, WR#, and WRL#.
P5.3	SLPRD#	I	Slave Port Read Control Input This active-low signal is an input to the slave. Data from the P3_REG or SLP_STAT register is valid after the falling edge of SLPRD#.
P5.4	SLPINT	O	Slave Port Interrupt This active-high slave port output signal can be used to interrupt the master processor. NOTE: SLPINT is multiplexed with P5.4 and the ONCE# function (KR, KQ) or a special test-mode-entry pin (KS, KT). Because driving this pin low on the rising edge of RESET# could cause the device to enter a reserved test mode, this pin should not be used as an input.

Table 9-2. Slave Port Control and Status Registers

Mnemonic	Address	Description
INT_MASK	08H	Interrupt Mask Setting bit 6 enables the output buffer empty (OBE) interrupt; clearing the bit disables it. Setting bit 7 enables the input buffer full (IBF) interrupt; clearing the bit disables it.
INT_MASK1	13H	Interrupt Mask 1 Setting bit 0 enables the command buffer full (CBF) interrupt; clearing the bit disables it.
INT_PEND	09H	Interrupt Pending Bit 6, when set, indicates a pending output buffer empty (OBE) interrupt. This bit is set after the master writes to the data input register, P3_PIN. Bit 7, when set, indicates a pending input buffer full (IBF). This bit is set after the master reads from the data output register, P3_REG.

Table 9-2. Slave Port Control and Status Registers (Continued)

Mnemonic	Address	Description
INT_PEND1	12H	<p>Interrupt Pending 1</p> <p>Bit 0, when set, indicates a pending command buffer full (CBF) interrupt. This bit is set after the master writes to the command register, SLP_CMD.</p>
P3_PIN	1FFEh	<p>Slave Port Data Input Register</p> <p>This register is also used for standard port 3 operation.</p> <p>In slave port operation, this register accepts data written by the master to be read by the slave. The slave can only read from this register and the master can only write to it. If the master attempts to read from P3_PIN, it will actually read P3_REG.</p> <p>To write to this register in standard slave mode, the master must first write “0” to the pin selected by SLP_CON.2. To write to this register in shared memory mode (8XC196KS and KT only), the master must first write “0” to the SLP1 pin.</p>
P3_REG	1FFCh	<p>Slave Port Data Output Register</p> <p>This register is also used for standard port 3 operation.</p> <p>In slave port operation, this register accepts data written by the slave to be read by the master. The slave can write to and read from this register. The master can only read it. If the master attempts to write to this register, it will actually write to P3_PIN.</p> <p>To read from this register in standard slave mode, the master must first write “0” to the pin selected by SLP_CON.2. To read from this register in shared memory mode (8XC196KS and KT only), the master must first write “0” to the SLP1 pin.</p>
SLP_CMD	1FFAh	<p>Slave Port Command Register</p> <p>This register accepts commands from the master to the slave. The commands are defined by the device software. The slave can read from and write to this register. The master can only write to it.</p> <p>To write to this register in standard slave mode, the master must first write “1” to the pin selected by SLP_CON.2. To write to this register in shared memory mode (8XC196KS and KT only), the master must first write “1” to the SLP1 pin.</p>
SLP_CON	1FFBh	<p>Slave Port Control Register</p> <p>This register is used to configure the slave port. It selects the operating mode (8XC196KS and KT only), enables and disables slave port operation, controls whether the master accesses the data registers or the control and status registers, and controls whether the SLPINT signal is asserted when the input buffer empty (IBE) and output buffer full (OBF) flags are set in the SLP_STAT register. Only the slave can access this register.</p>
SLP_STAT	1FF8h	<p>Slave Port Status Register</p> <p>The master can read this register to determine the status of the slave.</p> <p>The slave can read all bits. If the master attempts to write to SLP_STAT, it actually writes to SLP_CMD. To read from this register in standard slave mode, the master must first write “1” to the pin selected by SLP_CON.2. To read from this register in shared memory mode (8XC196KS and KT only), the master must first write “1” to the SLP1 pin.</p>

9.3 HARDWARE CONNECTIONS

Figure 9-3 shows the basic hardware connections for both multiplexed and demultiplexed bus modes. Table 9-3 lists the interconnections. Note that the shared memory mode (8XC196KS and KT only) supports only a multiplexed bus, while the standard slave mode supports either a multiplexed or a demultiplexed bus.

Table 9-3. Master and Slave Interconnections

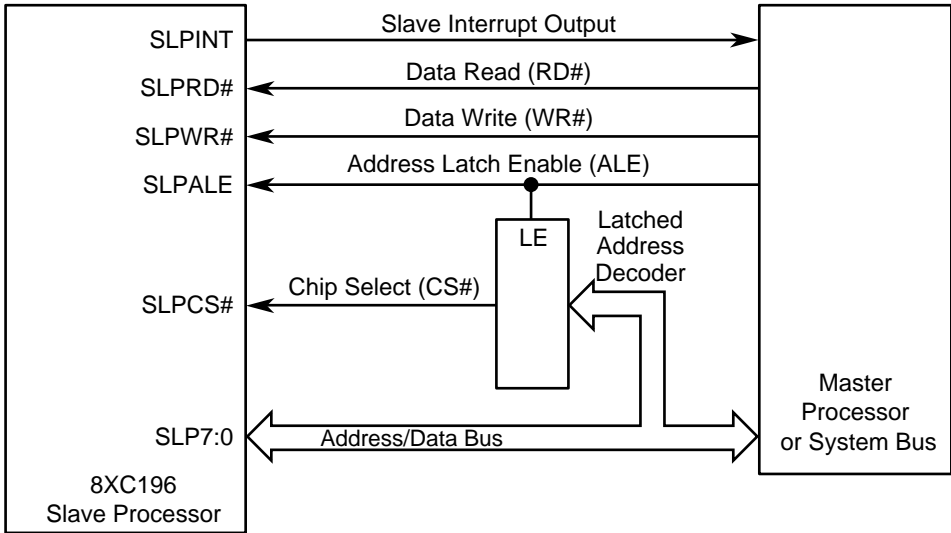
Multiplexed Bus		Demultiplexed Bus	
Master	Slave	Master	Slave
AD7:0	SLP7:0	D7:0	SLP7:0
ALE	SLPALE	A1	SLPALE
RD#	SLPRD#	RD#	SLPRD#
WR#	SLPWR#	WR#	SLPWR#
Latched addr. or port pin	SLPCS#	Latched addr. pin	SLPCS#
Interrupt input or port pin	SLPINT	Interrupt input or port pin	SLPINT

When using a multiplexed bus, connect the master's AD1 pin to the slave's SLP1 pin and the master's ALE pin to the slave's P5.0 pin. When using a demultiplexed bus, connect the master's address output (A1) to the slave's SLPALE (P5.0) pin. The master's AD1 (with a multiplexed bus) or A1 (with a demultiplexed bus) signal must be held high to either write to the slave's command register (SLP_CMD) or read the slave's status register (SLP_STAT). It must be held low to either write to the slave's P3_PIN register or read the slave's P3_REG register.

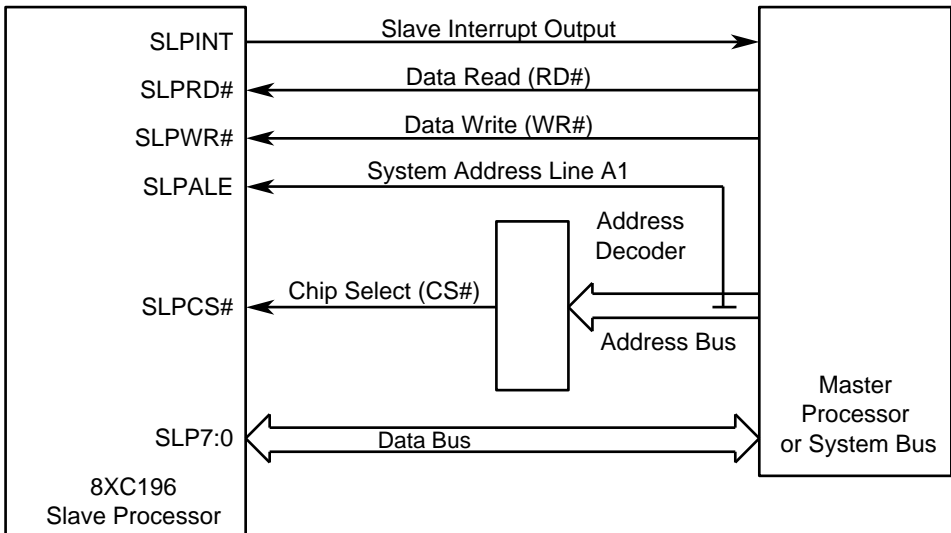
The configurations shown in Figure 9-3 allow the master to select the slave device by forcing SLPCS# low. The master can then request that the slave perform a read or a write operation by forcing SLPRD# or SLPWR# low, respectively. Data is latched on the rising edge of either SLPRD# or SLPWR#. When the slave completes a read or a write, it notifies the master via the SLPINT signal.

When the master writes to the P3_PIN register, the input buffer empty (IBE) flag is cleared and SLPINT is pulled low. When the slave reads P3_PIN, the IBE flag is set and SLPINT is forced high. This notifies the master that the write operation is completed and another write can be performed.

When the slave writes to P3_REG, the output buffer full (OBF) flag is set and SLPINT is forced high. This notifies the master that P3_REG contains valid data from the previous read cycle. Note that this is a pipelined read. The address specified in the previous read cycle is fetched and placed into the P3_REG register to be read by the master in the **next** read cycle. When the master reads from P3_REG, the OBF flag is cleared and SLPINT is pulled low.



Slave Port Connections for Multiplexed Bus Interface



Slave Port Connections for Demultiplexed Bus Interface

A0309-02

Figure 9-3. Master/Slave Hardware Connections

9.4 SLAVE PORT MODES

The slave port can operate in either standard slave mode or shared memory mode (8XC196KS and KT only). In both modes, the master and slave share a 256-byte block of memory located anywhere within the slave's memory space. Data written is stored in the slave's P3_PIN register; data to be read is stored in the slave's P3_REG register. The standard slave mode supports either a demultiplexed or a multiplexed bus and uses the command buffer full (CBF) interrupt. The shared memory mode supports only a multiplexed bus and uses the input buffer empty (IBE) and output buffer full (OBF) interrupts. In both modes, the interrupts must be processed by a software interrupt service routine.

9.4.1 Standard Slave Mode Example

In standard slave mode, the master and slave share a 256-byte block of memory. The high byte of the address (the base address) selects the location within the slave's memory space. The master writes the low byte of the address to the slave's command register (SLP_CMD). This mode can be used with either a multiplexed or a demultiplexed bus.

In this example, the master and slave share a 256-byte block of memory from 0400–04FFH. The master device has arbitrary external memory locations that are dedicated to slave port accesses.

9.4.1.1 Master Device Program

The following code segment illustrates the simple method for writing to the slave.

```
EXT_P3_PIN      EQU 0FFFDH          ; (A1=0)
EXT_SLP_CMD     EQU 0FFFEH          ; (A1=1)
                STB DATA, EXT_P3_PIN ; write the data into the slave's P3_PIN
                STB ADDR, EXT_SLP_CMD ; write address LSB into slave's SLP_CMD
                ; wait for SLPINT to go high
```

The master first writes data to the P3_PIN register, which clears the IBE flag in the slave's SLP_STAT register and pulls SLPINT low. This notifies the slave to perform a data write at the address BASE + SLP_CMD.

The following code segment illustrates the equally simple method for reading from the slave.

```
EXT_P3_REG      EQU 0FFFCH          ; (A1=0)
EXT_SLP_CMD     EQU 0FFFEH          ; (A1=1)
                LDB TEMP, EXT_P3_REG ; clear slave's P3_REG
                STB ADDR, EXT_SLP_CMD ; write address LSB into slave's SLP_CMD
                ; ... wait for SLPINT to go high
LDB DATA, EXT_P3_REG ; read the data from P3_REG
```

The master first reads the P3_REG register. This ensures that the slave's P3_REG is indeed empty, clears the OBF flag, and pulls SLPINT low. Next, it loads the address it wants to read into the SLP_CMD register. This causes a CBF interrupt in the slave processor. The slave reads that location and stores the data in P3_REG, which sets the OBF flag and forces SLPINT high. This notifies the master to read the P3_REG register.

9.4.1.2 Slave Device Program

Once the slave port and ports 3 and 5 are initialized, the slave device program is strictly interrupt driven. When the slave device receives a byte in the SLP_CMD register, the command buffer full (CBF) interrupt is generated. The CBF interrupt service routine reads the OBF and IBE flags in the SLP_STAT register to determine whether the master device is sending data or requesting a data read. For a data-read request, the master device clears P3_REG, which clears the OBF flag, before it loads SLP_CMD. For a data write, the master writes P3_PIN, which clears the IBE flag, before it loads SLP_CMD. Therefore, only one of the two flags is clear when the CBF interrupt service routine is entered.

If the IBE flag is clear (the input buffer, P3_PIN, is full), the slave moves the data from the P3_PIN register to the specified address. If the OBF flag is clear (the output buffer, P3_REG, is empty), the slave moves the data from the specified address to the P3_REG register so that the master can read it.

The following code segment shows the CBF interrupt service routine. The CBF interrupt must be enabled and interrupts must be globally enabled for this routine to function.

```
CBF_ISR:
    PUSHA
    LDBZE MAILBOX, SLP_CMD[0]      ; read SLP_CMD value (mailbox=address)
    ADDB MAILBOX+1, BASE          ; window address is 400-4FFH
    LDB TEMPW, SLP_STAT[0]        ; get SLP_STAT register
    BBC TEMPW, 1, WRITE_DATA      ; if IBE=0, master wants to write
    BBC TEMPW, 0, READ_DATA       ; if OBF=0, master wants to read
                                  ; if neither IBE=0 nor OBF=0, RETURN
                                  ; if both are set, an error has occurred
                                  ; no read or write can be performed
                                  ; (BBC is an assembler command that is
                                  ; translated to either a JBC, SJMP, or LJMP,
                                  ; depending upon the distance to the
                                  ; referenced address.)

DONE_ISR:
    POPA
    RET

WRITE_DATA:
    LDB TEMPW, P3_PIN[0]          ; get data to write
    STB TEMPW, [MAILBOX]          ; write P3_PIN at SLP_CMD+400H
    POPA
    RET
```



```

READ_DATA:
  LDB TEMPW, [MAILBOX]      ; get data to write to P3_REG
  STB TEMPW, P3_REG[0]     ; write SLP_CMD+400H data to P3_REG
  POPA
  RET
END

```

9.4.1.3 Demultiplexed Bus Timings

The master processor performs two bus cycles for each byte written and three bus cycles for each byte read. For the slave device, only five bytes are used (two bytes for the pointer to the open memory window, two bytes for the temporary storage register, and one byte for the base address). A read requires 91 state times (11.375 μ s at 16 MHz) and a write requires 86 state times (10.750 μ s at 16 MHz). These times do **not** include interrupt latency (see “Interrupt Latency” on page 5-7). Figure 9-4 shows relative timing relationships. Consult the datasheet for actual timing specifications.

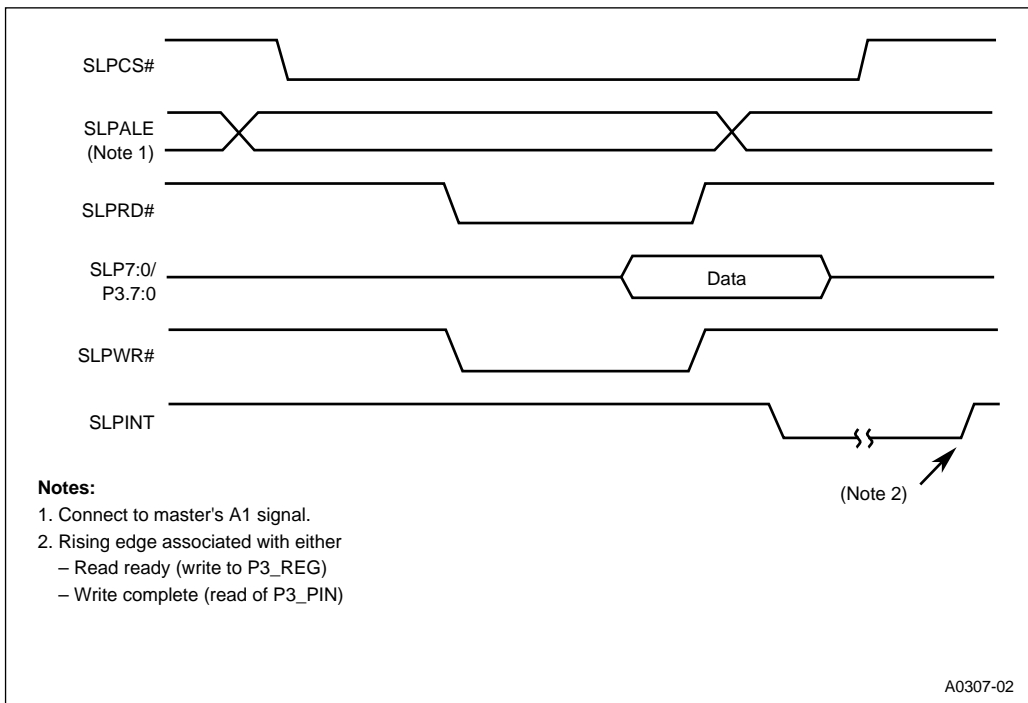


Figure 9-4. Standard Slave Mode Timings (Demultiplexed Bus)

9.4.2 Shared Memory Mode Example (8XC196KS and KT only)

In shared memory mode, the master and slave share a 256-byte block of memory. The high byte of the address (the base address) controls the location within the slave device memory space. The low byte of the address is always in the SLP_CMD register. The P3_REG register contains data to be read; the P3_PIN register contains the data written. This mode requires a multiplexed bus.

The primary difference between this mode and the standard slave mode is in the way that the address is loaded into the SLP_CMD register. The low byte of the address is automatically loaded into SLP_CMD on the falling edge of SLP_ALE. The data is latched on the rising edge of SLP_RD# or SLP_WR#. For this reason, a write or read operation requires only one master bus cycle rather than two and three bus cycles, respectively, in standard slave mode.

The time between the falling edge of SLP_ALE and the rising edge of SLP_RD# is too short to allow the slave processor to perform the read. Therefore, reads are pipelined in this mode, as they are in standard slave mode. When the master requests a read operation, the data present during the current bus cycle is either “dummy” data or the data from the previous read operation. Although read operations are pipelined, write operations are not. Therefore, write operations can be performed between reads without corrupting data that is waiting to be read. This allows the master to assign higher priority to write cycles. The master must wait for SLP_INT to go high between reads or writes.

In this example, the master and slave share a 256-byte block of memory from 0400–04FFH.

9.4.2.1 Master Device Program

In this mode, the master simply requests a read and receives data one bus cycle following the previous read. The following code segment illustrates how this is done.

```
OFFSET    EQU    0FF00H
          ADD    ADDR,#OFFSET    ; point to the external address
          LDB   DATA,[ADDR]     ; read the slave device data
```

The data that is read is actually the data from the previous read cycle. The address driven causes the slave to perform an interrupt service routine to fetch the data at that address. The data at the address is valid on the rising edge of SLP_INT. Writing to the slave is equally simple, as the following code segment illustrates.

```
OFFSET    EQU    0FF00H
          ADD    ADDR,#OFFSET    ; point to the slave address
          STB   DATA,[ADDR]     ; store data at the address
```

9.4.2.2 Slave Device Program

This example shows how the slave device reacts to reads and writes requested by the master. Regardless of the operation to be performed, the address is latched into the SLP_CMD register. The interrupt determines whether a read or write operation is to be performed.

An IBF interrupt requires a write operation. The slave branches to the IBF interrupt service routine, reads the data in the P3_PIN register, and writes that data to the address specified by adding a base address to the value in SLP_CMD. When the slave reads P3_PIN, it forces SLPINT high, which notifies the master that another operation can be performed.

An OBE interrupt requires a read operation. The slave branches to the OBE interrupt service routine, reads the data at the address specified by adding a base address to the value in SLP_CMD, and writes that data into the P3_REG register. When the slave writes the P3_REG register, it forces SLPINT high, which notifies the master that another operation can be performed. (Remember that read operations are pipelined.)

The following code segment shows the IBF and OBE interrupt service routines. The interrupt service routines are very much alike. One reads from the SFR space to the memory block; the other reads from the memory block to the SFR space. The slave need only know which routine to execute. The IBF and OBE interrupts must be enabled and interrupts must be globally enabled for these routines to function.

```
IBF_ISR:
    PUSHA                                ; save flags
    LDBZE ADDR, SLP_CMD[0]               ; load SLP_CMD value into Addr register
    ADDB ADDR+1, BASE                    ; add a base to address (16-bit address)
    LDB TEMP, P3_PIN[0]                  ; read P3_PIN (read forces SLPINT high)
    STB TEMP, [ADDR]                     ; write data to address
    POPA
    RET

OBE_ISR:
    PUSHA                                ; save flags
    LDBZE ADDR, SLP_CMD[0]               ; load SLP_CMD value into Addr register
    ADDB ADDR+1, BASE                    ; add a base to address (16-bit address)
    LDB TEMP, [ADDR]                     ; load data from address to temp register
    STB TEMP, P3_REG[0]                  ; write data to P3_REG
                                        ; (write forces SLPINT high)
    POPA
    RET
```

9.4.2.3 Multiplexed Bus Timings

The memory space required for the sample code is four bytes (two bytes for the address register, one for the temp register, and one for the base address). Reads and writes each require 58 state times (7.25 μs at 16 MHz). These times do **not** include interrupt latency (see “Interrupt Latency” on page 5-7). They also do **not** include the master device bus cycle time. Each read or write operation requires only one master bus cycle. Figure 9-5 shows relative timing relationships. Consult the datasheet for actual timing specifications.

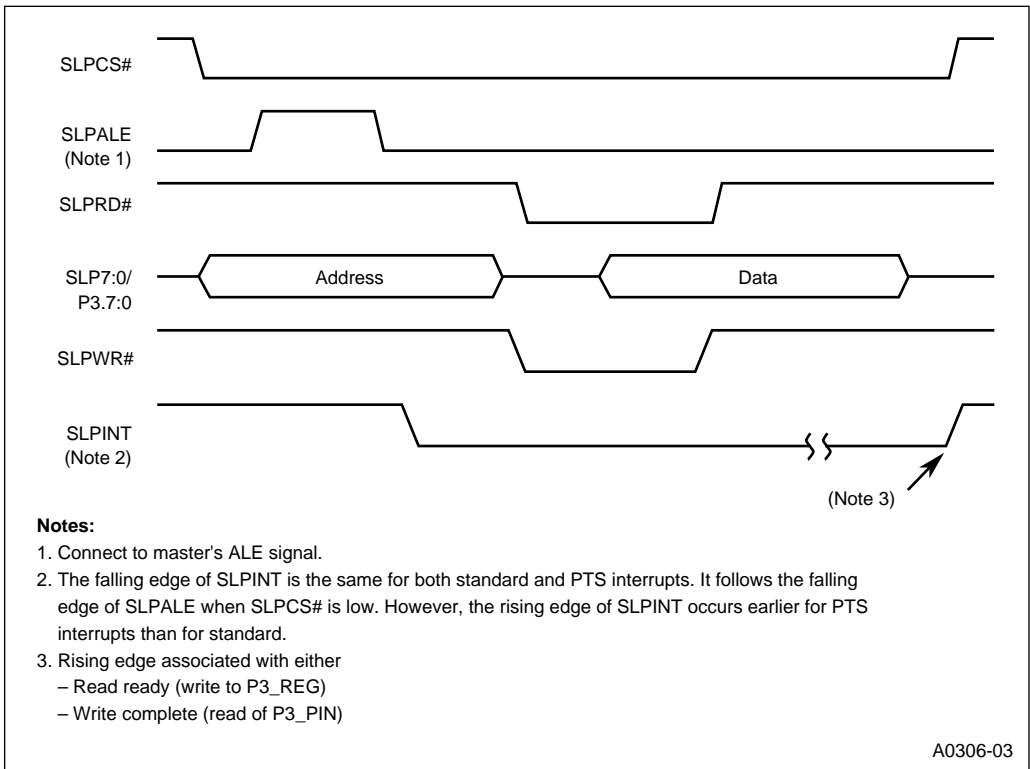


Figure 9-5. Standard or Shared Memory Mode Timings (Multiplexed Bus)

9.5 CONFIGURING THE SLAVE PORT

Before you can use the slave port, you must configure the associated port 3 and port 5 pins to serve as special-function signals. (See Chapter 6, “I/O Ports,” for configuration details.)

- Configure P5.3:0 as special-function inputs.
- Configure P5.4 as a special-function open-drain or complementary output.
- Configure P3.7:0 as special-function open-drain input/outputs.

The following code example shows the port 5 configuration code.

```
LDB TEMP, #EFH
STB TEMP, P5_DIR[0]           ; make P5.4/SLPINT a complementary output
                               ; set up all other port 5 pins as inputs

LDB TEMP, #1FH
STB TEMP, P5_MODE[0]         ; select special function for P5.4:0
LDB TEMP, #FFH
STB TEMP, P5_REG[0]          ; write all ones to P5_REG
```

The following code example shows the port 3 configuration code.

```
LDB TEMP, P34_DRV[0]         ; read the current state of P34_DRV
ANDB TEMP, #7FH              ; clear the MSB of P34_DRV
STB TEMP, P34_DRV[0]         ; make Port 3 open-drain
```

Once you have configured the pins, you must initialize the registers. This example shows the initialization code. The remaining sections of this chapter describe the registers and explain the configuration options.

```
LDB TEMP, #slave_mode        ; 0FH for standard, 1BH for shared mem mode
STB TEMP, SLP_CON[0]         ; initialize the slave port
STB ONES_REG, P3_REG[0]      ; write all ones to port 3 (write sets OBF)
STB ZERO_REG, SLP_CMD[0]     ; clear the command register
STB ZERO_REG, P3_PIN[0]      ; clear the data input register
LDB TEMP, SLP_STAT[0]        ; read the status reg (CBE, IBE, OBF=111)
```

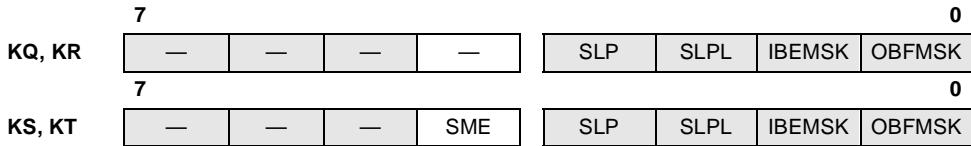
9.5.1 Programming the Slave Port Control Register (SLP_CON)

The SLP_CON register (Figure 9-6) selects the operating mode, enables and disables slave port operation, controls whether the master accesses the data registers or the control and status registers, and controls whether the SLPINT signal is asserted when the input buffer empty (IBE) and output buffer full (OBF) flags are set in the SLP_STAT register. Only the slave can access this register.

SLP_CON
(8XC196Kx)

 Address: 1FFBH
 Reset State: 00H

The slave port control (SLP_CON) register is used to configure the slave port. Only the slave can access the register.



Bit Number	Bit Mnemonic	Function
7:5	—	Reserved; always write as zeros.
4 [†]	SME	Shared Memory Enable Enables slave port shared memory mode. 1 = shared memory mode 0 = standard slave mode
3	SLP	Slave Port Enable This bit enables or disables the slave port. 1 = enables the slave port 0 = disables the slave port and clears the command buffer empty (CBE), input buffer empty (IBE), and output buffer full (OBF) flags in the SLP_STAT register.
2	SLPL	Slave Port Latch In standard slave mode only, this bit determines the source of the internal control signal, SLP_ADDR. When SLP_ADDR is held high, the master can write to the SLP_CMD register and read from the SLP_STAT register. When SLP_ADDR is held low, the master can write to the P3_PIN register and read from the P3_REG register. 1 = SLP1 (P3.1) via master's AD1 signal. Use with multiplexed bus. 0 = SLPAL (P5.0) via master's A1 signal. Use with demultiplexed bus. In shared memory mode, this bit has no function.
1	IBEMSK	Input Buffer Empty Mask Controls whether the IBE flag (in SLP_STAT) asserts the SLPINT signal. In shared memory mode, this bit has no effect on the SLPINT signal.
0	OBFMSK	Output Buffer Full Mask Controls whether the OBF flag (in SLP_STAT) asserts the SLPINT signal. In shared memory mode, this bit has no effect on the SLPINT signal.

[†] On the 8XC196KQ, KR devices this bit is reserved; always write as zero.

Figure 9-6. Slave Port Control (SLP_CON) Register

9.5.2 Enabling the Slave Port Interrupts

The master can generate three interrupt requests: command buffer full (CBF), output buffer empty (OBE), and input buffer full (IBF). The CBF interrupt is used in standard slave mode; the OBE and IBF interrupts are used in shared memory mode. To enable an interrupt, set the corresponding bit in the interrupt mask register (Table 9-2 on page 9-4).

9.6 DETERMINING SLAVE PORT STATUS

The master can determine the status of the slave port by reading the SLP_STAT register (Figure 9-7). It can also read the interrupt pending registers (Table 9-2 on page 9-4) to determine the status of the interrupts.

9.7 USING STATUS BITS TO SYNCHRONIZE MASTER AND SLAVE

The status bits in the SLP_STAT register can be used to synchronize the master with the slave. Because synchronization of the status bits is not monitored by the status flags, it is more difficult for the master to monitor. Software must ensure data integrity throughout the operation. Two techniques are recommended — a double read or a software flag.

If the master processor is fast enough to read SLP_STAT twice before the contents change, the master can compare the readings from before and after the data fetch. If the readings are identical, the data is guaranteed correct.

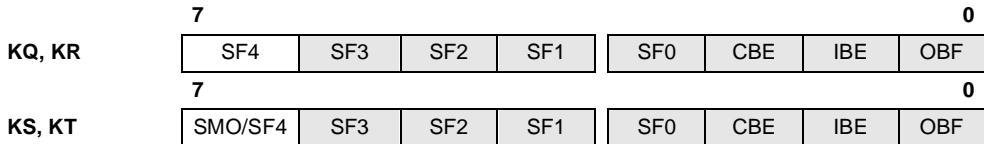
In standard slave mode, the slave can use bit 7 of SLP_STAT to indicate valid data. To update the status, the slave performs the following sequence:

- Clear the flag bit (bit 7) without changing the other four status bits.
- Update the status bits (SLP_STAT.6:3).
- Set the flag bit (bit 7) without changing the other four status bits.

SLP_STAT
(8XC196Kx)

 Address: 1FF8H
 Reset State: 00H

The master can read the slave port status (SLP_STAT) register to determine the status of the slave. The slave can read all bits and can write bits 3–7 for general-purpose status information. (The bits are user-defined flags.) If the master attempts to write to SLP_STAT, it actually writes to SLP_CMD. To read from this register (rather than P3_REG), the master must first write “1” to the pin selected by SLP_CON.2.



Bit Number	Bit Mnemonic	Function
7 [†] (KS, KT)	SMO/SF4	Shared Memory Operation/Status Field Bit 4 In shared memory mode bit 7 (SMO) indicates whether the bus interface logic received a read (1) or a write (0). SMO can be read but not written. In standard slave mode bit 7 (SF4) is the high bit of the status field.
7:3 (KQ, KR) 6:3 (KS, KT)	SF4:0 SF3:0	Status Field The slave can write to these bits for general-purpose status information. (The bits are user-defined flags).
2	CBE	Command Buffer Empty This flag is set after the slave reads SLP_CMD. The flag is cleared and the command buffer full (CBF) interrupt pending bit (INT_PEND1.0) is set after the master writes to SLP_CMD.
1	IBE	Input Buffer Empty This flag is set after the slave reads P3_PIN. The flag is cleared and the IBF interrupt pending bit (INT_PEND.7) is set after the master writes to P3_PIN.
0	OBF	Output Buffer Full This flag is set after the slave writes to P3_REG. The flag is cleared and the OBE interrupt pending bit (INT_PEND.6) is set after the master reads P3_REG.

[†] On the 8XC196KQ, KR devices this bit functions only as SF4.

Figure 9-7. Slave Port Status (SLP_STAT) Register



10

**Event Processor
Array (EPA)**



CHAPTER 10

EVENT PROCESSOR ARRAY (EPA)

Control applications often require high-speed event control. For example, the controller may need to periodically generate pulse-width modulated outputs, an analog-to-digital conversion, or an interrupt. In another application, the controller may monitor an input signal to determine the status of an external device. The event processor array (EPA) was designed to reduce the CPU overhead associated with these types of event control. This chapter describes the EPA and its timers and explains how to configure and program them.

10.1 EPA FUNCTIONAL OVERVIEW

The EPA performs input and output functions associated with two timer/counters, timer 1 and timer 2 (Figure 10-1). In the input mode, the EPA monitors an input pin for an event: a rising edge, a falling edge, or an edge in either direction. When the event occurs, the EPA records the value of the timer/counter, so that the event is tagged with a time. This is called an *input capture*. Input captures are buffered to allow two captures before an overrun occurs. In the output mode, the EPA monitors a timer/counter and compares its value with a value stored in a register. When the timer/counter value matches the stored value, the EPA can trigger an event: a timer reset or an output event (set a pin, clear a pin, toggle a pin, or take no action). This is called an *output compare*. The EPA sets an interrupt pending bit in response to an input capture or an output compare. This bit can optionally cause an interrupt. Table 10-1 lists the capture/compare and compare-only channels for each device in the 8XC196Kx family.

Table 10-1. EPA Channels

Device	Capture/Compare Channels	Compare-only Channels
87C196CA, 8XC196Jx	EPA3:0 & EPA9:8	COMP1:0
8XC196Kx	EPA9:0	COMP1:0

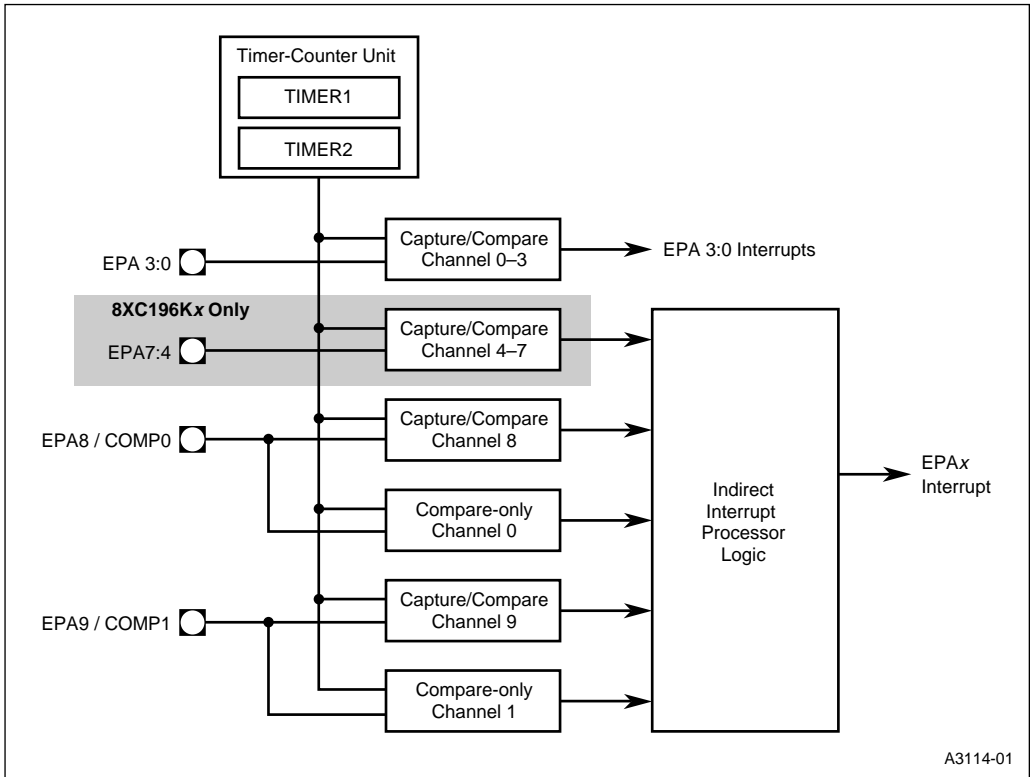


Figure 10-1. EPA Block Diagram

10.2 EPA AND TIMER/COUNTER SIGNALS AND REGISTERS

Table 10-2 describes the EPA and timer/counter input and output signals. Each signal is multiplexed with a port pin as shown in the first column. Table 10-3 briefly describes the registers for the EPA capture/compare channels, EPA compare-only channels, and timer/counters.

Table 10-2. EPA and Timer/Counter Signals

Port Pin	EPA Signal(s)	EPA Signal Type	Description
P1.0	EPA0	I/O	High-speed input/output for capture/compare channel 0.
	T2CLK	I	External clock source for timer 2. If you use T2CLK, you cannot use capture/compare channel 0.
P1.1	EPA1	I/O	High-speed input/output for capture/compare channel 1.
P1.2	EPA2	I/O	High-speed input/output for capture/compare channel 2.
	T2DIR	I	External direction control for timer 2. If you use T2DIR, you cannot use capture/compare channel 2.
P1.3	EPA3	I/O	High-speed input/output for capture/compare channel 3.
P1.7:4	EPA7:4 [†]	I/O	High-speed input/output for capture/compare channels 4–7.
P6.0	EPA8	I/O	High-speed input/output for capture/compare channel 8.
	COMP0	O	Output of the compare-only channel 0.
P6.1	EPA9	I/O	High-speed input/output for capture/compare channel 9.
	COMP1	O	Output of the compare-only channel 1.
P6.2	T1CLK [†]	I	External clock source for timer 1.
P6.3	T1DIR [†]	I	External direction control for timer 1.

[†] This pin is not implemented on the 8XC196Jx and 87C196CA devices.

Table 10-3. EPA Control and Status Registers

Mnemonic	Address	Description
COMP0_CON COMP1_CON	1F88H 1F8CH	EPA _x Compare Control These registers control the functions of the compare-only channels.
COMP0_TIME COMP1_TIME	1F8AH 1F8EH	EPA _x Compare Time These registers contain the time at which an event is to occur on the compare-only channels.
EPA_MASK	1FA0H	EPA Interrupt Mask The bits in this 16-bit register enable and disable (mask) 16 of the interrupts associated with the EPA _x interrupt, EPA4–9 and OVR0–9.
EPA_MASK1	1FA4H	EPA Interrupt Mask 1 The bits in this 8-bit register enable and disable (mask) four interrupts associated with the EPA _x interrupt, OVR _{TM} 1, OVR _{TM} 2, COMP0, and COMP1
EPA_PEND	1FA2H	EPA Interrupt Pending Any set bit in this register indicates a pending interrupt.

Table 10-3. EPA Control and Status Registers (Continued)

Mnemonic	Address	Description
EPA_PEND1	1FA6H	EPA Interrupt Pending 1 Any set bit in this register indicates a pending interrupt.
EPA0_CON EPA1_CON EPA2_CON EPA3_CON EPA4_CON EPA5_CON EPA6_CON EPA7_CON EPA8_CON EPA9_CON	1F60H 1F64H 1F68H 1F6CH 1F70H 1F74H 1F78H 1F7CH 1F80H 1F84H	EPAx Capture/Compare Control These registers control the functions of the capture/compare channels. EPA1_CON and EPA3_CON require an extra byte because they contain an additional bit for PWM remap mode. These two registers must be addressed as words; the others can be addressed as bytes.
EPA0_TIME EPA1_TIME EPA2_TIME EPA3_TIME EPA4_TIME EPA5_TIME EPA6_TIME EPA7_TIME EPA8_TIME EPA9_TIME	1F62H 1F66H 1F6AH 1F6EH 1F72H 1F76H 1F7AH 1F7EH 1F82H 1F86H	EPAx Capture/Compare Time In capture mode, these registers contain the captured timer value. In compare mode, these registers contain the time at which an event is to occur. In capture mode, these registers are buffered to allow two captures before an overrun occurs. However, they are not buffered in compare mode.
EPAIPV	1FA8H	EPA Interrupt Priority Vector Register The lower four bits of this register contain a number from 01H to 14H corresponding to the highest priority active EPAx interrupt source. This value, when used with the TIJMP instruction, enables software to branch to the correct interrupt service routine for the active interrupt.
INT_MASK	0008H	Interrupt Mask Five bits in this register enable and disable (mask) the individual EPA0, EPA1, EPA2, and EPA3 interrupts and the multiplexed EPAx interrupt. The EPA_MASK and EPA_MASK1 register bits enable and disable the individual sources of the EPAx interrupt.
INT_PEND	0009H	Interrupt Pending Five bits in this register are set to indicate pending individual interrupts EPA0, EPA1, EPA2, and EPA3, and the multiplexed EPAx interrupt. The EPA_PEND and EPA_PEND1 register bits indicate which source(s) of the EPAx interrupt are pending.
P1_DIR P6_DIR	1FD2H 1FD3H	Port x Direction Each bit of Px_DIR controls the direction of the corresponding pin. Clearing a bit configures a pin as a complementary output; setting a bit configures a pin as an input or open-drain output. (Open-drain outputs require external pull-ups.)
P1_MODE P6_MODE	1FD0H 1FD1H	Port x Mode Each bit of Px_MODE controls whether the corresponding pin functions as a standard I/O port pin or as a special-function signal. Setting a bit configures a pin as a special-function signal; clearing a bit configures a pin as a standard I/O port pin.

Table 10-3. EPA Control and Status Registers (Continued)

Mnemonic	Address	Description
P1_PIN P6_PIN	1FD6H 1FD7H	<p>Port x Input</p> <p>Each bit of P_x_PIN reflects the current state of the corresponding pin, regardless of the pin configuration.</p>
P1_REG P6_REG	1FD4H 1FD5H	<p>Port x Data Output</p> <p>For an input, set the corresponding P_x_REG bit.</p> <p>For an output, write the data to be driven out by each pin to the corresponding bit of P_x_REG. When a pin is configured as standard I/O (P_x_MODE.x=0), the result of a CPU write to P_x_REG is immediately visible on the pin. When a pin is configured as a special-function signal (P_x_MODE.x=1), the associated on-chip peripheral or off-chip component controls the pin. The CPU can still write to P_x_REG, but the pin is unaffected until it is switched back to its standard I/O function.</p> <p>This feature allows software to configure a pin as standard I/O (clear P_x_MODE.x), initialize or overwrite the pin value, then configure the pin as a special-function signal (set P_x_MODE.x). In this way, initialization, fault recovery, exception handling, etc., can be done without changing the operation of the associated peripheral.</p>
T1CONTROL	1F98H	<p>Timer 1 Control</p> <p>This register enables/disables timer 1, controls whether it counts up or down, selects the clock source and direction, and determines the clock prescaler setting.</p>
T2CONTROL	1F9CH	<p>Timer 2 Control</p> <p>This register enables/disables timer 2, controls whether it counts up or down, selects the clock source and direction, and determines the clock prescaler setting.</p>
TIMER1	1F9AH	<p>Timer 1 Value</p> <p>This register contains the current value of timer 1.</p>
TIMER2	1F9EH	<p>Timer 2 Value</p> <p>This register contains the current value of timer 2.</p>

10.3 TIMER/COUNTER FUNCTIONAL OVERVIEW

The EPA has two 16-bit up/down timer/counters, timer 1 and timer 2, which can be clocked internally or externally. Each is called a *timer* if it is clocked internally and a *counter* if it is clocked externally. Figure 10-2 illustrates the timer/counter structure.

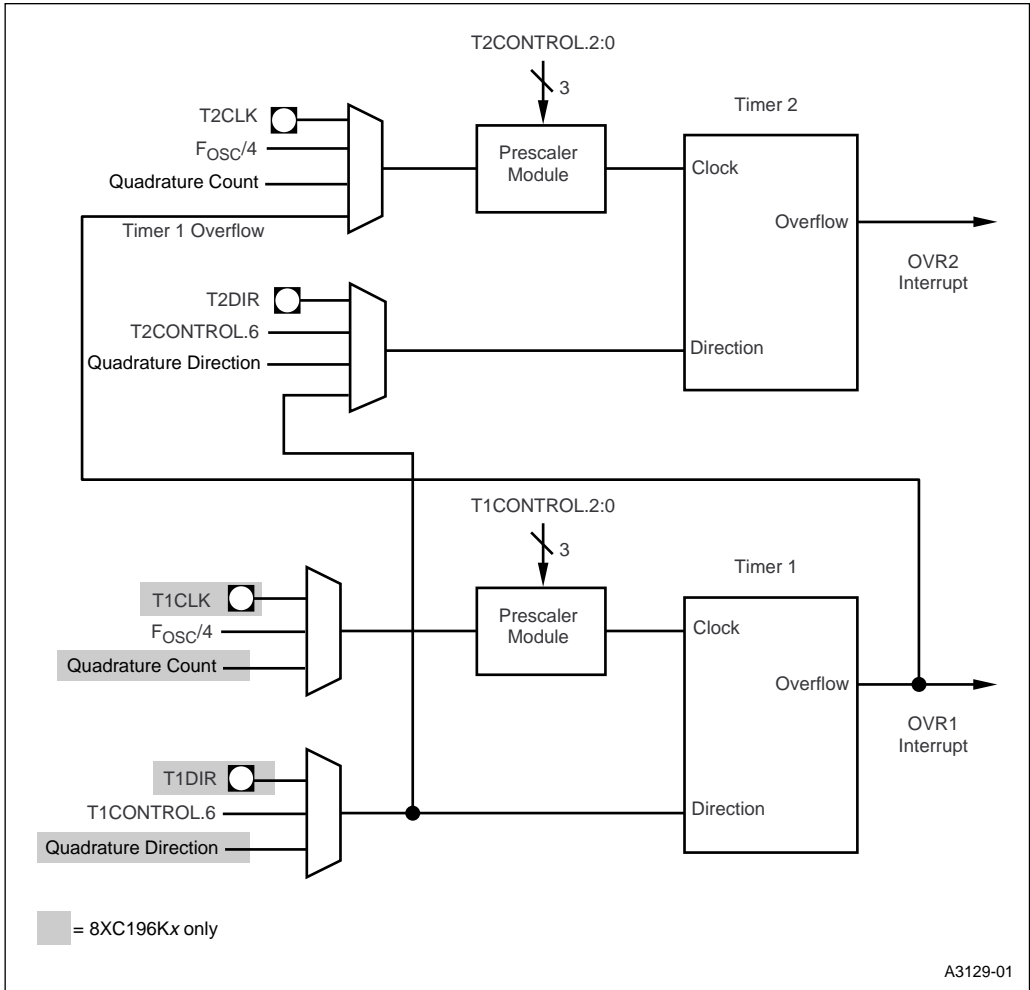


Figure 10-2. EPA Timer/Counters

The timer/counters can be used as time bases for input captures, output compares, and programmed interrupts (software timers). When a counter increments from FFFE_H to FFFF_H or decrements from 0001_H to 0000_H, the counter-overflow interrupt pending bit is set. This bit can optionally cause an interrupt. The clock source, direction-control source, count direction, and resolution of the input capture or output compare are all programmable (see “Programming the Timers” on page 10-17). The maximum count rate is one-half the internal clock rate, or $F_{OSC}/4$ (where F_{OSC} is the XTAL1 frequency, in Hz). This provides a 250 ns resolution (at 16 MHz) for an input capture or output compare.

10.3.1 Cascade Mode (Timer 2 Only)

Timer 2 can be used in cascade mode. In this mode, the timer 1 overflow output is used as the timer 2 clock input. Either the direction control bit of the timer 2 control register or the direction control assigned to timer 1 controls the count direction. This method, called *cascading*, can provide a slow clock for idle mode timeout control or for slow pulse-width modulation (PWM) applications (see “Generating a Low-speed PWM Output” on page 10-14).

10.3.2 Quadrature Clocking Mode

On the 8XC196Kx, both timer 1 and timer 2 can be used in quadrature clocking mode. (On the 8XC196 Jx and CA, only timer 2 supports quadrature clocking mode.) This mode uses the TxCLK and TxDIR pins as quadrature inputs, as shown in Figure 10-3. External quadrature-encoded signals (two signals at the same frequency that differ in phase by 90°) are input, and the timer increments or decrements by one count on each rising edge and each falling edge. Because the TxCLK and TxDIR inputs are sampled by the internal phase clocks, transitions must be separated by at least two state times for proper operation. The count is clocked by PH2, which is PH1 delayed by one-half period. The sequence of the signal edges and levels controls the count direction. Refer to Figure 10-4 and Table 10-4 for sequencing information.

A typical source of quadrature-encoded signals is a shaft-angle decoder, shown in Figure 10-3. Its output signals X and Y are input to TxCLK and TxDIR, which in turn output signals X_{internal} and Y_{internal}. These signals are used in Figure 10-4 and Table 10-4 to describe the direction of the shaft.

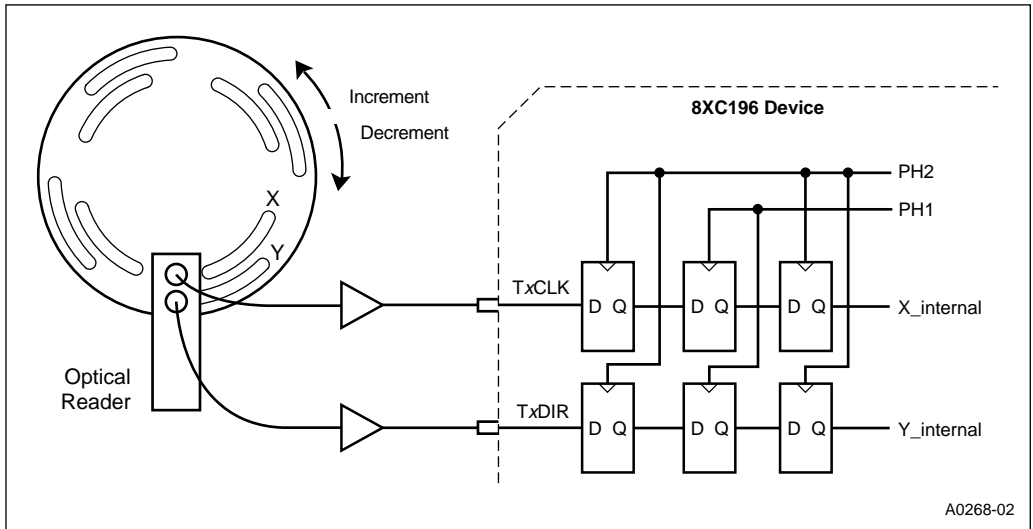


Figure 10-3. Quadrature Mode Interface

Table 10-4. Quadrature Mode Truth Table

State of X_internal (TxCLK)	State of Y_internal (TxDIR)	Count Direction
↑	0	Increment
↓	1	Increment
0	↓	Increment
1	↑	Increment
↓	0	Decrement
↑	1	Decrement
0	↑	Decrement
1	↓	Decrement

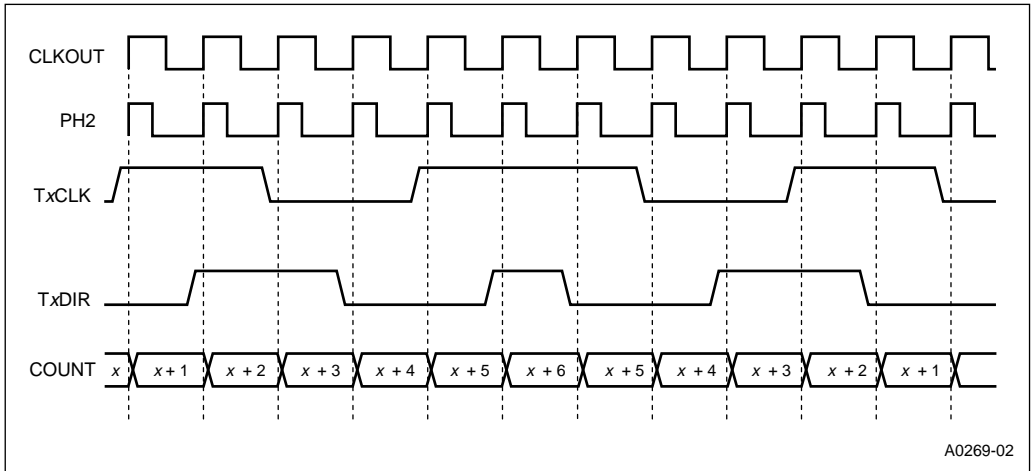


Figure 10-4. Quadrature Mode Timing and Count

10.4 EPA CHANNEL FUNCTIONAL OVERVIEW

The EPA has ten programmable capture/compare channels that can perform the following tasks.

- capture the current timer value when a specified transition occurs on the EPA pin
- start an A/D conversion when an event is captured or the timer value matches the programmed value in the event-time register
- clear, set, or toggle the EPA pin when the timer value matches the programmed value in the event-time register
- generate an interrupt when a capture or compare event occurs
- generate an interrupt when a capture overrun occurs
- reset its own base timer in compare mode
- reset the opposite timer in both compare and capture mode

In addition to the capture/compare channels, the EPA also has two compare-only channels. They support all the compare functions of the capture/compare channels.

Each EPA channel has a control register, EPA_x_CON (capture/compare channels) or COMP_x_CON (compare-only channels); an event-time register, EPA_x_TIME (capture/compare channels) or COMP_x_TIME (compare-only channels); and a timer input (Figure 10-5). The control register selects the timer, the mode, and either the event to be captured or the event that is to occur. The event-time register holds the captured timer value in capture mode and the event time in compare mode. See “Programming the Capture/Compare Channels” on page 10-20 and “Programming the Compare-only Channels” on page 10-25 for configuration information.

The two compare-only channels share output pins with capture/compare channels 8 and 9. This means that both capture/compare channel 8 and compare-only channel 0 can set, clear, or toggle the EPA8/COMP0 pin. They can operate at the same time, and neither has priority in its access to the output pin. Capture/compare channel 9 and compare-only channel 1 share the EPA9/COMP1 pin in this same way.

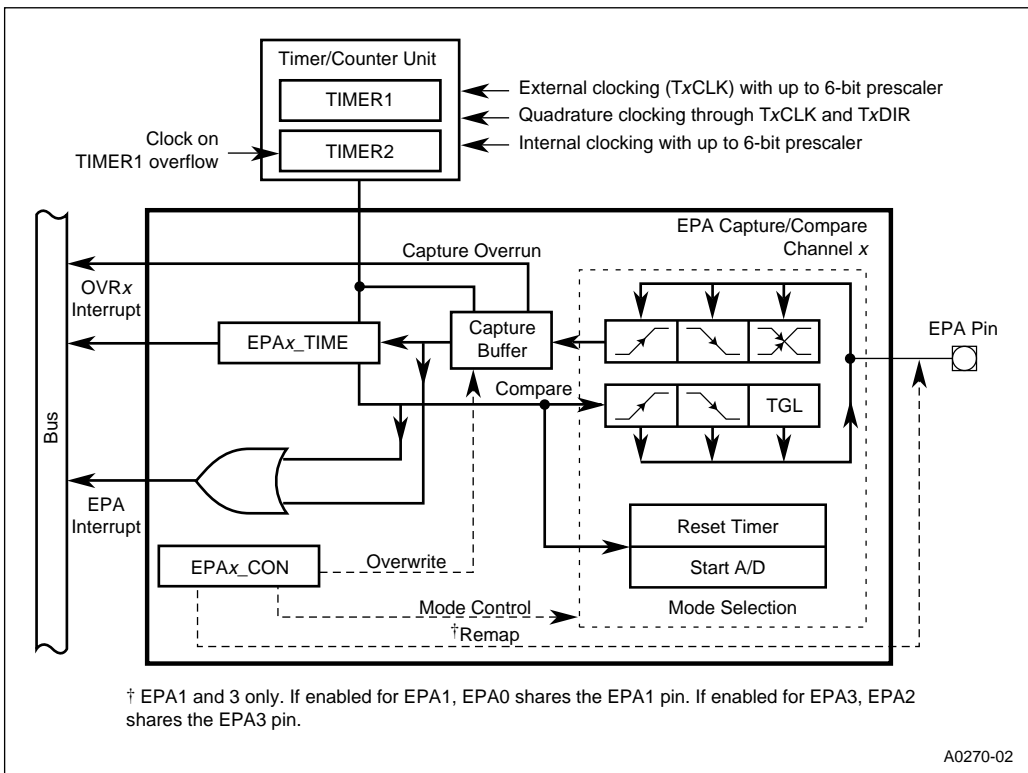


Figure 10-5. A Single EPA Capture/Compare Channel

10.4.1 Operating in Capture Mode

In capture mode, when a valid event occurs on the pin, the value of the selected timer is captured into a buffer. The timer value is then transferred from the buffer to the EPA_x_TIME register, which sets the EPA interrupt pending bit as shown in Figure 10-6. If enabled, an interrupt is generated. If a second event occurs before the CPU reads the first timer value in EPA_x_TIME, the current timer value is loaded into the buffer and held there. After the CPU reads the EPA_x_TIME register, the contents of the capture buffer are automatically transferred into EPA_x_TIME and the EPA interrupt pending bit is set.

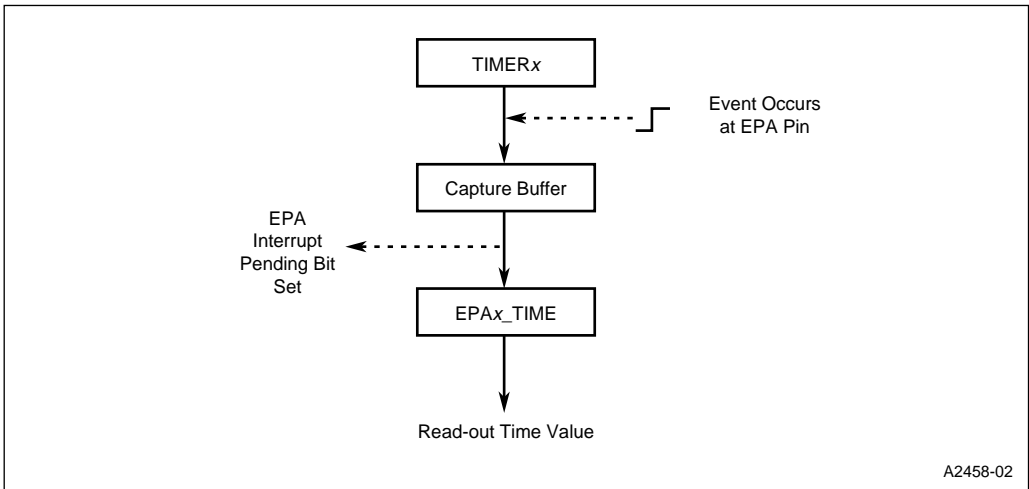


Figure 10-6. EPA Simplified Input-Capture Structure

If a third event occurs before the CPU reads the event-time register, the overwrite bit (EPA_x_CON.0) determines how the EPA will handle the event. If the bit is clear, the EPA ignores the third event. If the bit is set, the third event time overwrites the second event time in the capture buffer. Both situations set the overrun interrupt pending bit and, if enabled, generate an overrun interrupt. Table 10-5 summarizes the possible actions when a valid event occurs.

NOTE

In order for an event to be captured, the signal must be stable for at least two state times both before and after the transition occurs (Figure 10-7).

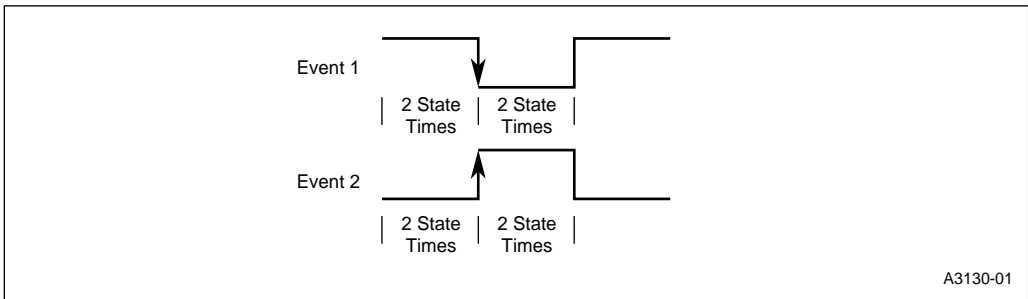


Figure 10-7. Valid EPA Input Events

Table 10-5. Action Taken when a Valid Edge Occurs

Overwrite Bit (EPAx_CON.0)	Status of Capture Buffer & EPAx_TIME	Action taken when a valid edge occurs
0	empty	Edge is captured and event time is loaded into the capture buffer and EPAx_TIME register.
0	full	New data is ignored — no capture, EPA interrupt, or transfer occurs; OVRx interrupt pending bit is set.
1	empty	Edge is captured and event time is loaded into the capture buffer and EPAx_TIME register.
1	full	Old data is overwritten in the capture buffer; OVRx interrupt pending bit is set.

An input capture event does not set the interrupt pending bit until the captured time value actually moves from the capture buffer into the EPAx_TIME register. If the PTS is used to service the interrupts, then two PTS interrupts occur almost back-to-back (that is, with one instruction executed between the interrupts).

10.4.1.1 Handling EPA Overruns

Overruns occur when an EPA input transitions at a rate that cannot be handled by the EPA interrupt service routine. If no overrun handling strategy is in place, and if the following three conditions exist, a situation may occur where both the capture buffer and the EPAx_TIME register contain data, and no EPA interrupt is generated.

- an input signal with a frequency high enough to cause overruns is present on an enabled EPA pin, and
- the overwrite bit is set (EPAx_CON.0 = 1; old data is overwritten on overrun), and
- the EPAx_TIME register is read at the exact instant that the EPA recognizes the captured edge as valid.

The input frequency at which this occurs depends on the length of the interrupt service routine as well as other factors. Unless the interrupt service routine includes a check for overruns, this situation will remain the same until the device is reset or the `EPAx_TIME` register is read. The act of reading `EPAx_TIME` allows the buffered time value to be moved into `EPAx_TIME`. This clears the buffer and allows another event to be captured. Remember that the act of transferring the buffer contents to the `EPAx_TIME` register is what actually sets the `EPAx` interrupt pending bit and generates the interrupt.

Any one of the following methods can be used to prevent or recover from this situation.

- Clear `EPAx_CON.0`

When the overwrite bit (`EPAx_CON.0`) is zero, the EPA does not consider the captured edge until the `EPAx_TIME` register is read and the data in the capture buffer is transferred to `EPAx_TIME`. This prevents the situation by ignoring new input capture events when both the capture buffer and `EPAx_TIME` contain valid capture times. The `OVRx` pending bit in `EPA_PEND` is set to indicate that an overrun occurred.

- Enable the `OVRx` interrupt and read the `EPAx_TIME` register within the ISR

If this situation occurs, the overrun (`OVRx`) interrupt will be generated. The `OVRx` interrupt will then be acknowledged and its interrupt service routine will read the `EPAx_TIME` register. After the CPU reads the `EPAx_TIME` register, the buffered data moves from the buffer to the `EPAx_TIME` register. This sets the EPA interrupt pending bit.

- Check for pending `EPAx` interrupts before exiting an `EPAx` ISR

Another method for avoiding this situation is to check for pending EPA interrupts before exiting the EPA interrupt service routine. This is an easy way to detect overruns and additional interrupts. It can also save loop time by eliminating the latency necessary to service the pending interrupt. However, this method cannot be used with the peripheral transaction server (PTS). If your system uses the PTS, you should choose one of the other methods.

10.4.2 Operating in Compare Mode

When the selected timer value matches the event-time value, the action specified in the control register occurs (i.e., the pin is set, cleared, toggled, or an A/D conversion is initiated). If the re-enable bit (`EPAx_CON.3` or `COMPx_CON.3`) is set, the action reoccurs on every timer match. If the re-enable bit is cleared, the action does not reoccur until a new value is written to the event-time register. See “Programming the Capture/Compare Channels” on page 10-20 and “Programming the Compare-only Channels” on page 10-25 for configuration information.

In compare mode, you can use the EPA to produce a pulse-width modulated (PWM) output. The following sections describe four possible methods.

10.4.2.1 Generating a Low-speed PWM Output

You can generate a low-speed, pulse-width modulated output with a single EPA channel and a standard interrupt service routine. Configure the EPA channel as follows: compare mode, toggle output, and the compare function re-enabled. Select standard interrupt service, enable the EPA interrupt, and globally enable interrupts with the EI instruction. When the assigned timer/counter value matches the value in the event-time register, the EPA toggles the output pin and generates an interrupt. The interrupt service routine loads a new value into EPAX_TIME.

The maximum output frequency depends upon the total interrupt latency and the interrupt-service execution times used by your system. As additional EPA channels and the other functions of the microcontroller are used, the maximum PWM frequency decreases because the total interrupt latency and interrupt-service execution time increases. To determine the maximum, low-speed PWM frequency in your system, calculate your system's worst-case interrupt latency and worst-case interrupt-service execution time, and then add them together. The worst-case interrupt latency is the total latency of all the interrupts (both normal and PTS) used in your system. The worst-case interrupt-service execution time is the total execution time of all interrupt service routines and PTS routines.

The following example shows the calculations for a system that uses a single EPA channel, a single enabled interrupt, and the following interrupt service routine.

```
;If EPA0-3 interrupt is generated
EPA0-3_ISR:
    PUSHA
    LD EPAX_CON, #toggle_command
    ADD EPAX_TIME, TIMERx, [next_duty_ptr]; Load next event time
    POPA
    RET

;If EPAX interrupt is generated from EPA4-9 interrupts
EPAX_ISR:
    PUSHA
    LD jtbase_ptr, #LSW jtbase1
    LD epaipv_ptr, EPAIPV           ; Load contents of EPAIPV reg into ptr
    TIJMP jtbase_ptr, [epaipv_ptr], 7FH ; Jump to appropriate EPA ISR

;EPA4-9 service routines
EPA4-9_ISR:
    PUSHA
    LD EPAX_CON, #toggle_command
    ADD EPAX_TIME, TIMERx, [next_duty_ptr]
    LJMP EPAX_DONE

EPAX_DONE:
    POPA
    RET
```

The worst-case interrupt latency for a single-interrupt system is 56 state times for external stack usage and 54 state times for internal stack usage (see “Standard Interrupt Latency” on page 5-9). To determine the execution time for an interrupt service routine, add up the execution time of the instructions in the ISR (Table A-9).

The total execution time for the ISR that services interrupts EPA3:0 is 79 state times for external stack usage or 71 state times for internal stack usage. Therefore, a single capture/compare channel 0–3 can be updated every 125 state times assuming internal stack usage (54 + 71). Each PWM period requires two updates (one setting and one clearing), so the execution time for a PWM period equals 250 state times. At 16 MHz, the PWM period is 31.25 μ s and the maximum PWM frequency is 32 kHz.

The total execution time for the ISR that services the EPAx (capture/compare channels 4–9) interrupt is 175 state times for external stack usage or 159 for internal stack usage. Therefore, a single capture/compare channel 4–7 can be updated every 213 state times assuming internal stack usage (54 + 159). Each PWM period requires two updates (one setting and one clearing), so the execution time for a PWM period equals 426 state times. At 16 MHz, the PWM period is 53.25 μ s and the maximum PWM frequency is 18.8 kHz.

10.4.2.2 Generating a Medium-speed PWM Output

You can generate a medium-speed, pulse-width modulated output with a single EPA channel and the PTS set up in PWM toggle mode. “PWM Toggle Mode Example” on page 5-32 describes how to configure the EPA and PTS. Once started, this method requires no CPU intervention unless you need to change the output frequency. The method uses a single timer/counter. The timer/counter is not interrupted during this process, so other EPA channels can also use it if they do not reset it.

The maximum output frequency depends upon the total interrupt latency and interrupt-service execution time. As additional EPA channels and the other functions of the microcontroller are used, the maximum PWM frequency decreases because the total interrupt latency and interrupt-service execution time increases. To determine the maximum, medium-speed PWM frequency in your system, calculate your system's worst-case interrupt latency and worst-case interrupt-service execution time, and then add them together. The worst-case interrupt latency is the total latency of all the interrupts (both normal and PTS) used in your system. The worst-case interrupt-service execution time is the total execution time of all interrupt service routines and PTS cycles.

The following example shows the calculations for a system that uses a single EPA channel, a single enabled interrupt, and PTS service. This example assumes that the PTS has been initialized, the duty cycle and frequency are fixed, and that the interrupt from the capture/compare channel is not multiplexed (i.e., EPA3:0).

The worst-case interrupt latency for a single-interrupt system with PTS service is 43 state times (see “PTS Interrupt Latency” on page 5-10). The PTS cycle execution time in PWM toggle mode is 15 state times (Table 5-4 on page 5-10). Therefore, a single capture/compare channel 0–3 can be updated every 58 state times (43 + 15). Each PWM period requires two updates (one setting and one clearing), so the execution time for a PWM period equals 116 state times. At 16 MHz, the PWM period is 14.49 μ s and the maximum PWM frequency is 68.97 kHz.

10.4.2.3 Generating a High-speed PWM Output

You can generate a high-speed, pulse-width modulated output with a pair of EPA channels and the PTS set up in PWM remap mode. “PWM Remap Mode Example” on page 5-37 describes how to configure the EPA and PTS. The remap bit (bit 8) must be set in EPA1_CON (to pair EPA0 and EPA1) or EPA3_CON (to pair EPA2 and EPA3). One channel must be configured to set the output; the other, to clear it. At the set (or clear) time, the PTS reads the old time value from EPA $_x$ _TIME, adds to it the PWM period constant, and returns the new value to EPA $_x$ _TIME. Set and clear times can be programmed to differ by as little as one timer count, resulting in very narrow pulses. Once started, this method requires no CPU intervention unless you need to change the output frequency. The method uses a single timer/counter. The timer/counter is not interrupted during this process, so other EPA channels can also use it if they do not reset it.

To determine the maximum, high-speed PWM frequency in your system, calculate your system's worst-case interrupt latency and then double it. The worst-case interrupt latency is the total latency of all the interrupts (both normal and PTS) used in your system. The following example shows the calculations for a system that uses a pair of remapped EPA channels (i.e., EPA0 and 1 or EPA 3 and 4), two enabled interrupts, and PTS service. This example assumes that the PTS has been initialized and that the duty cycle and frequency are fixed.

The worst-case interrupt latency for a single-interrupt system with PTS service is 43 state times (see “PTS Interrupt Latency” on page 5-10). In this mode, the maximum period equals twice the PTS latency. Therefore, the execution time for a PWM period equals 86 state times. At 16 MHz, the PWM period is 10.75 μ s and the maximum PWM frequency is 93 kHz.

10.4.2.4 Generating the Highest-speed PWM Output

You can generate a highest-speed, pulse-width modulated output with a pair of EPA channels and a dedicated timer/counter. The first channel toggles the output when the timer value matches EPA $_x$ _TIME, and at some later time, the second channel toggles the output again **and** resets the timer/counter. This restarts the cycle. No interrupts are required, resulting in the highest possible speed. Software must calculate and load the appropriate EPA $_x$ _TIME values and load them at the correct time in the cycle in order to change the frequency or duty cycle.

With this method, the resolution of the EPA (Figure 10-8 on page 10-18 and Figure 10-9 on page 10-19) determines the maximum PWM output frequency. (Resolution is the minimum time required between a capture or compare.) At 16 MHz, a 250 ns resolution results in a maximum PWM of 4 MHz.

10.5 PROGRAMMING THE EPA AND TIMER/COUNTERS

This section discusses configuring the port pins for the EPA and the timer/counters; describes how to program the timers, the capture/compare channels, and the compare-only channels; and explains how to enable the EPA interrupts.

10.5.1 Configuring the EPA and Timer/Counter Port Pins

Before you can use the EPA, you must configure the pins of port 1 and port 6 to serve as the special-function signals for the EPA and, optionally, for the timer/counter clock source and direction control signals. See “Bidirectional Ports 1, 2, 5, and 6” on page 6-4 for information about configuring the port pins.

NOTE

If you use T2CLK as the timer 2 input clock, you cannot use EPA capture/compare channel 0. If you use T2DIR as the timer 2 direction-control source, you cannot use EPA capture/compare channel 1.

Table 10-2 on page 10-3 lists the pins associated with the EPA and the timer/counters. Pins that are not being used for an EPA channel or timer/counter can be configured as standard I/O.

10.5.2 Programming the Timers

The control registers for the timers are T1CONTROL (Figure 10-8) and T2CONTROL (Figure 10-9). Write to these registers to configure the timers. Write to the TIMER1 and TIMER2 registers to load a specific timer value.

T1CONTROL				Address: 1F98H																																																
				Reset State: 00H																																																
The timer 1 control (T1CONTROL) register determines the clock source, counting direction, and count rate for timer 1.																																																				
7				0																																																
CE	UD	M2	M1	M0	P2	P1	P0																																													
Bit Number	Bit Mnemonic	Function																																																		
7	CE	Counter Enable This bit enables or disables the timer. From reset, the timers are disabled and not free running. 0 = disables timer 1 = enables timer																																																		
6	UD	Up/Down This bit determines the timer counting direction, in selected modes (see mode bits, M2:0) 0 = count down 1 = count up																																																		
5:3	M2:0	EPA Clock Direction Mode Bits These bits determine the timer clocking source and direction control source. <table border="1"> <thead> <tr> <th>M2</th> <th>M1</th> <th>M0</th> <th>Clock Source</th> <th>Direction Source</th> </tr> </thead> <tbody> <tr> <td>0</td> <td>0</td> <td>0</td> <td>F_{osc}/4</td> <td>UD bit (T1CONTROL.6)</td> </tr> <tr> <td>X</td> <td>0</td> <td>1</td> <td>T1CLK Pin[†]</td> <td>UD bit (T1CONTROL.6)^{††}</td> </tr> <tr> <td>0</td> <td>1</td> <td>0</td> <td>F_{osc}/4</td> <td>T1DIR Pin^{††}</td> </tr> <tr> <td>0</td> <td>1</td> <td>1</td> <td>T1CLK Pin[†]</td> <td>T1DIR Pin^{††}</td> </tr> <tr> <td>1</td> <td>1</td> <td>1</td> <td colspan="2">quadrature clocking using T1CLK and T1DIR pins^{††}</td> </tr> </tbody> </table> [†] If an external clock is selected, the timer counts on both the rising and falling edges of the clock. ^{††} These modes are reserved on the 8XC196CA, Jx devices.						M2	M1	M0	Clock Source	Direction Source	0	0	0	F _{osc} /4	UD bit (T1CONTROL.6)	X	0	1	T1CLK Pin [†]	UD bit (T1CONTROL.6) ^{††}	0	1	0	F _{osc} /4	T1DIR Pin ^{††}	0	1	1	T1CLK Pin [†]	T1DIR Pin ^{††}	1	1	1	quadrature clocking using T1CLK and T1DIR pins ^{††}																
M2	M1	M0	Clock Source	Direction Source																																																
0	0	0	F _{osc} /4	UD bit (T1CONTROL.6)																																																
X	0	1	T1CLK Pin [†]	UD bit (T1CONTROL.6) ^{††}																																																
0	1	0	F _{osc} /4	T1DIR Pin ^{††}																																																
0	1	1	T1CLK Pin [†]	T1DIR Pin ^{††}																																																
1	1	1	quadrature clocking using T1CLK and T1DIR pins ^{††}																																																	
2:0	P2:0	EPA Clock Prescaler Bits These bits determine the clock prescaler value. <table border="1"> <thead> <tr> <th>P2</th> <th>P1</th> <th>P0</th> <th>Prescaler</th> <th>Resolution (at 16 MHz)</th> </tr> </thead> <tbody> <tr> <td>0</td> <td>0</td> <td>0</td> <td>divide by 1 (disabled)</td> <td>250 ns</td> </tr> <tr> <td>0</td> <td>0</td> <td>1</td> <td>divide by 2</td> <td>500 ns</td> </tr> <tr> <td>0</td> <td>1</td> <td>0</td> <td>divide by 4</td> <td>1 μs</td> </tr> <tr> <td>0</td> <td>1</td> <td>1</td> <td>divide by 8</td> <td>2 μs</td> </tr> <tr> <td>1</td> <td>0</td> <td>0</td> <td>divide by 16</td> <td>4 μs</td> </tr> <tr> <td>1</td> <td>0</td> <td>1</td> <td>divide by 32</td> <td>8 μs</td> </tr> <tr> <td>1</td> <td>1</td> <td>0</td> <td>divide by 64</td> <td>16 μs</td> </tr> <tr> <td>1</td> <td>1</td> <td>1</td> <td>reserved</td> <td>—</td> </tr> </tbody> </table>						P2	P1	P0	Prescaler	Resolution (at 16 MHz)	0	0	0	divide by 1 (disabled)	250 ns	0	0	1	divide by 2	500 ns	0	1	0	divide by 4	1 μs	0	1	1	divide by 8	2 μs	1	0	0	divide by 16	4 μs	1	0	1	divide by 32	8 μs	1	1	0	divide by 64	16 μs	1	1	1	reserved	—
P2	P1	P0	Prescaler	Resolution (at 16 MHz)																																																
0	0	0	divide by 1 (disabled)	250 ns																																																
0	0	1	divide by 2	500 ns																																																
0	1	0	divide by 4	1 μs																																																
0	1	1	divide by 8	2 μs																																																
1	0	0	divide by 16	4 μs																																																
1	0	1	divide by 32	8 μs																																																
1	1	0	divide by 64	16 μs																																																
1	1	1	reserved	—																																																

Figure 10-8. Timer 1 Control (T1CONTROL) Register

T2CONTROL				Address: 1F9CH Reset State: 00H			
The timer 2 control (T2CONTROL) register determines the clock source, counting direction, and count rate for timer 2.							
7				0			
CE	UD	M2	M1	M0	P2	P1	P0

Bit Number	Bit Mnemonic	Function																																													
7	CE	Counter Enable This bit enables or disables the timer. From reset, the timers are disabled and not free running. 0 = disables timer 1 = enables timer																																													
6	UD	Up/Down This bit determines the timer counting direction, in selected modes (see mode bits, M2:0). 0 = count down 1 = count up																																													
5:3	M2:0	EPA Clock Direction Mode Bits. These bits determine the timer clocking source and direction source <table border="1" style="width: 100%; border-collapse: collapse; margin-top: 5px;"> <thead> <tr> <th style="text-align: center;">M2</th> <th style="text-align: center;">M1</th> <th style="text-align: center;">M0</th> <th style="text-align: center;">Clock Source</th> <th style="text-align: center;">Direction Source</th> </tr> </thead> <tbody> <tr> <td style="text-align: center;">0</td> <td style="text-align: center;">0</td> <td style="text-align: center;">0</td> <td>F_{OSC}/4</td> <td>UD bit (T2CONTROL.6)</td> </tr> <tr> <td style="text-align: center;">X</td> <td style="text-align: center;">0</td> <td style="text-align: center;">1</td> <td>T2CLK Pin[†]</td> <td>UD bit (T2CONTROL.6)</td> </tr> <tr> <td style="text-align: center;">0</td> <td style="text-align: center;">1</td> <td style="text-align: center;">0</td> <td>F_{OSC}/4</td> <td>T2DIR Pin</td> </tr> <tr> <td style="text-align: center;">0</td> <td style="text-align: center;">1</td> <td style="text-align: center;">1</td> <td>T2CLK Pin[†]</td> <td>T2DIR Pin</td> </tr> <tr> <td style="text-align: center;">1</td> <td style="text-align: center;">0</td> <td style="text-align: center;">0</td> <td>timer 1 overflow</td> <td>UD bit (T2CONTROL.6)</td> </tr> <tr> <td style="text-align: center;">1</td> <td style="text-align: center;">1</td> <td style="text-align: center;">0</td> <td>timer 1</td> <td>same as timer 1</td> </tr> <tr> <td style="text-align: center;">1</td> <td style="text-align: center;">1</td> <td style="text-align: center;">1</td> <td>quadrature clocking using T2CLK and T2DIR pins[†]</td> <td></td> </tr> </tbody> </table> If an external clock is selected, the timer counts on both the rising and falling edges of the clock.	M2	M1	M0	Clock Source	Direction Source	0	0	0	F _{OSC} /4	UD bit (T2CONTROL.6)	X	0	1	T2CLK Pin [†]	UD bit (T2CONTROL.6)	0	1	0	F _{OSC} /4	T2DIR Pin	0	1	1	T2CLK Pin [†]	T2DIR Pin	1	0	0	timer 1 overflow	UD bit (T2CONTROL.6)	1	1	0	timer 1	same as timer 1	1	1	1	quadrature clocking using T2CLK and T2DIR pins [†]						
M2	M1	M0	Clock Source	Direction Source																																											
0	0	0	F _{OSC} /4	UD bit (T2CONTROL.6)																																											
X	0	1	T2CLK Pin [†]	UD bit (T2CONTROL.6)																																											
0	1	0	F _{OSC} /4	T2DIR Pin																																											
0	1	1	T2CLK Pin [†]	T2DIR Pin																																											
1	0	0	timer 1 overflow	UD bit (T2CONTROL.6)																																											
1	1	0	timer 1	same as timer 1																																											
1	1	1	quadrature clocking using T2CLK and T2DIR pins [†]																																												
2:0	P2:0	EPA Clock Prescaler Bits These bits determine the clock prescaler value. <table border="1" style="width: 100%; border-collapse: collapse; margin-top: 5px;"> <thead> <tr> <th style="text-align: center;">P2</th> <th style="text-align: center;">P1</th> <th style="text-align: center;">P0</th> <th style="text-align: center;">Prescaler</th> <th style="text-align: center;">Resolution (at 16 MHz)</th> </tr> </thead> <tbody> <tr> <td style="text-align: center;">0</td> <td style="text-align: center;">0</td> <td style="text-align: center;">0</td> <td>divide by 1 (disabled)</td> <td>250 ns</td> </tr> <tr> <td style="text-align: center;">0</td> <td style="text-align: center;">0</td> <td style="text-align: center;">1</td> <td>divide by 2</td> <td>500 ns</td> </tr> <tr> <td style="text-align: center;">0</td> <td style="text-align: center;">1</td> <td style="text-align: center;">0</td> <td>divide by 4</td> <td>1 μs</td> </tr> <tr> <td style="text-align: center;">0</td> <td style="text-align: center;">1</td> <td style="text-align: center;">1</td> <td>divide by 8</td> <td>2 μs</td> </tr> <tr> <td style="text-align: center;">1</td> <td style="text-align: center;">0</td> <td style="text-align: center;">0</td> <td>divide by 16</td> <td>4 μs</td> </tr> <tr> <td style="text-align: center;">1</td> <td style="text-align: center;">0</td> <td style="text-align: center;">1</td> <td>divide by 32</td> <td>8 μs</td> </tr> <tr> <td style="text-align: center;">1</td> <td style="text-align: center;">1</td> <td style="text-align: center;">0</td> <td>divide by 64</td> <td>16 μs</td> </tr> <tr> <td style="text-align: center;">1</td> <td style="text-align: center;">1</td> <td style="text-align: center;">1</td> <td>reserved</td> <td>—</td> </tr> </tbody> </table>	P2	P1	P0	Prescaler	Resolution (at 16 MHz)	0	0	0	divide by 1 (disabled)	250 ns	0	0	1	divide by 2	500 ns	0	1	0	divide by 4	1 μs	0	1	1	divide by 8	2 μs	1	0	0	divide by 16	4 μs	1	0	1	divide by 32	8 μs	1	1	0	divide by 64	16 μs	1	1	1	reserved	—
P2	P1	P0	Prescaler	Resolution (at 16 MHz)																																											
0	0	0	divide by 1 (disabled)	250 ns																																											
0	0	1	divide by 2	500 ns																																											
0	1	0	divide by 4	1 μs																																											
0	1	1	divide by 8	2 μs																																											
1	0	0	divide by 16	4 μs																																											
1	0	1	divide by 32	8 μs																																											
1	1	0	divide by 64	16 μs																																											
1	1	1	reserved	—																																											

Figure 10-9. Timer 2 Control (T2CONTROL) Register

10.5.3 Programming the Capture/Compare Channels

The EPA_x_CON register controls the function of its assigned capture/compare channel. The registers for EPA0, EPA2, and EPA4–9 are identical. The registers for EPA1 and EPA3 have an additional bit, the remap bit (RM), which is used to enable and disable remapping for high-speed PWM generation (see “Generating a High-speed PWM Output” on page 10-16). This added bit (bit 8) requires an additional byte, so EPA1_CON and EPA3_CON **must** be addressed as **words**, while the others can be addressed as bytes.

To program a compare event, write to EPA_x_CON (Figure 10-10) to configure the EPA capture/compare channel and then load the event time into EPA_x_TIME. To program a capture event, you need only write to EPA_x_CON. Table 10-6 shows the effects of various combinations of EPA_x_CON bit settings.

Table 10-6. Example Control Register Settings and EPA Operations

Capture Mode								
TB 7	CE 6	MODE 5 4		RE 3	AD 2	ROT 1	ON/RT 0	Operation
X	0	0	0	—	—	—	0	None
X	0	0	1	—	X	X	X	Capture on falling edges
X	0	1	0	—	X	X	X	Capture on rising edges
X	0	1	1	—	X	X	X	Capture on both edges
X	0	X	1	—	X	1	X	Capture on falling edge and reset opposite timer
X	0	1	X	—	X	1	X	Capture on rising edge and reset opposite timer
X	0	0	1	—	1	X	X	Start A/D conversion on falling edge
X	0	1	0	—	1	X	X	Start A/D conversion on rising edge
Compare Mode								
TB 7	CE 6	MODE 5 4		RE 3	AD 2	ROT 1	ON/RT 0	Operation
X	1	0	0	X	—	—	0	None
X	1	0	1	X	X	X	X	Clear output pin
X	1	1	0	X	X	X	X	Set output pin
X	1	1	1	X	X	X	X	Toggle output pin
X	1	X	X	X	X	0	1	Reset same timer
X	1	X	X	X	X	1	1	Reset opposite timer
X	1	X	X	X	1	X	X	Start A/D conversion

NOTES: — = bit is not used
 X = bit may be used, but has no effect on the described operation. These bits cause other operations to occur.

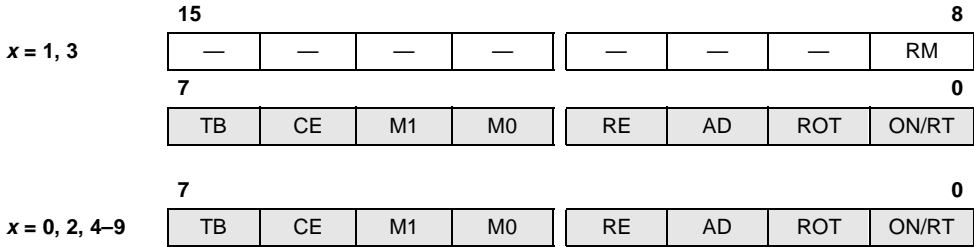
EPA_x_CON
x = 0–9 (8XC196Kx)
x = 0–3, 8, 9 (8XC196CA, Jx)

Address: 1F60H + (x * 4)

Reset State: F700H (x = 1 & 3)

00H(x = 0, 2, 4–9)

The EPA control (EPA_x_CON) registers control the functions of their assigned capture/compare channels. The registers for EPA0, EPA2, and EPA4–9 are identical. The registers for EPA1 and EPA3 have an additional bit, the remap bit. This added bit (bit 8) requires an additional byte, so EPA1_CON and EPA3_CON must be addressed as words, while the others can be addressed as bytes.



Bit Number	Bit Mnemonic	Function
15:9 [†]	—	Reserved; always write as zeros.
8 [†]	RM	Remap Feature The Remap feature applies to the compare mode of the EPA1 and EPA3 only. When the remap feature of EPA1 is enabled, EPA capture/compare channel 0 shares output pin EPA1 with EPA capture/compare channel 1. When the remap feature of EPA3 is enabled, EPA capture/compare channel 2 shares output pin EPA3 with EPA capture/compare channel 3. 0 = remap feature disabled 1 = remap feature enabled
7	TB	Time Base Select Specifies the reference timer. 0 = Timer 1 is the reference timer and Timer 2 is the opposite timer 1 = Timer 2 is the reference timer and Timer 1 is the opposite timer A compare event (start of an A/D conversion; clearing, setting, or toggling an output pin; and/or resetting either timer) occurs when the reference timer matches the time programmed in the event-time register. When a capture event (falling edge, rising edge, or an edge change on the EPA _x pin) occurs, the reference timer value is saved in the EPA event-time register (EPA _x _TIME).

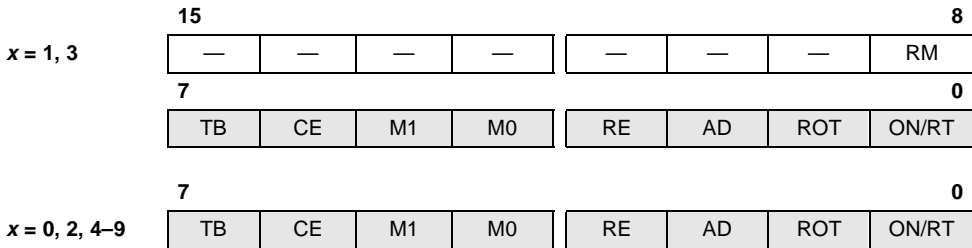
[†] These bits apply to the EPA1_CON and EPA3_CON registers only.

Figure 10-10. EPA Control (EPA_x_CON) Registers

EPA_x_CON (Continued)
x = 0–9 (8XC196Kx)
x = 0–3, 8, 9 (8XC196CA, Jx)

Address: 1F60H + (x * 4)
 Reset State: F700H (x = 1 & 3)
 00H(x = 0, 2, 4–9)

The EPA control (EPA_x_CON) registers control the functions of their assigned capture/compare channels. The registers for EPA0, EPA2, and EPA4–9 are identical. The registers for EPA1 and EPA3 have an additional bit, the remap bit. This added bit (bit 8) requires an additional byte, so EPA1_CON and EPA3_CON must be addressed as words, while the others can be addressed as bytes.



Bit Number	Bit Mnemonic	Function																														
6	CE	Compare Enable Determines whether the EPA channel operates in capture or compare mode. 0 = capture mode 1 = compare mode																														
5:4	M1:0	EPA Mode Select In capture mode, specifies the type of event that triggers an input capture. In compare mode, specifies the action that the EPA executes when the reference timer matches the event time. <table style="margin-left: 20px; border-collapse: collapse;"> <tr> <td style="text-align: right;">M1</td> <td style="text-align: right;">M0</td> <td>Capture Mode Event</td> </tr> <tr> <td style="text-align: right;">0</td> <td style="text-align: right;">0</td> <td>no capture</td> </tr> <tr> <td style="text-align: right;">0</td> <td style="text-align: right;">1</td> <td>capture on falling edge</td> </tr> <tr> <td style="text-align: right;">1</td> <td style="text-align: right;">0</td> <td>capture on rising edge</td> </tr> <tr> <td style="text-align: right;">1</td> <td style="text-align: right;">1</td> <td>capture on either edge</td> </tr> <tr> <td style="text-align: right;">M1</td> <td style="text-align: right;">M0</td> <td>Compare Mode Action</td> </tr> <tr> <td style="text-align: right;">0</td> <td style="text-align: right;">0</td> <td>no output</td> </tr> <tr> <td style="text-align: right;">0</td> <td style="text-align: right;">1</td> <td>clear output pin</td> </tr> <tr> <td style="text-align: right;">1</td> <td style="text-align: right;">0</td> <td>set output pin</td> </tr> <tr> <td style="text-align: right;">1</td> <td style="text-align: right;">1</td> <td>toggle output pin</td> </tr> </table>	M1	M0	Capture Mode Event	0	0	no capture	0	1	capture on falling edge	1	0	capture on rising edge	1	1	capture on either edge	M1	M0	Compare Mode Action	0	0	no output	0	1	clear output pin	1	0	set output pin	1	1	toggle output pin
M1	M0	Capture Mode Event																														
0	0	no capture																														
0	1	capture on falling edge																														
1	0	capture on rising edge																														
1	1	capture on either edge																														
M1	M0	Compare Mode Action																														
0	0	no output																														
0	1	clear output pin																														
1	0	set output pin																														
1	1	toggle output pin																														
3	RE	Re-enable Re-enable applies to the compare mode only. It allows a compare event to continue to execute each time the event-time register (EPA _x _TIME) matches the reference timer rather than only upon the first time match. 0 = compare function is disabled after a single event 1 = compare function always enabled																														

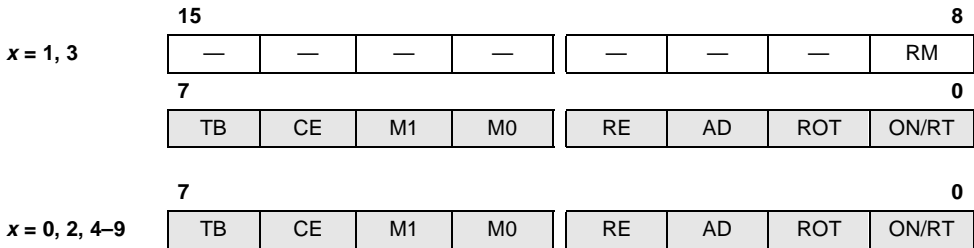
† These bits apply to the EPA1_CON and EPA3_CON registers only.

Figure 10-10. EPA Control (EPA_x_CON) Registers (Continued)

EPA_x_CON (Continued)
x = 0–9 (8XC196Kx)
x = 0–3, 8, 9 (8XC196CA, Jx)

Address: 1F60H + (x * 4)
 Reset State: F700H (x = 1 & 3)
 00H(x = 0, 2, 4–9)

The EPA control (EPA_x_CON) registers control the functions of their assigned capture/compare channels. The registers for EPA0, EPA2, and EPA4–9 are identical. The registers for EPA1 and EPA3 have an additional bit, the remap bit. This added bit (bit 8) requires an additional byte, so EPA1_CON and EPA3_CON must be addressed as words, while the others can be addressed as bytes.



Bit Number	Bit Mnemonic	Function
2	AD	A/D Conversion Allows the EPA to start an A/D conversion that has been previously set up in the A/D control registers. To use this feature, you must select the EPA as the conversion source in the AD_CONTROL register. 0 = causes no A/D action 1 = EPA capture or compare event triggers an A/D conversion
1	ROT	Reset Opposite Timer Controls different functions for capture and compare modes. In Capture Mode: 0 = causes no action 1 = resets the opposite timer In Compare Mode: ROT selects the timer that is to be reset if the RT bit is set: 0 = selects base timer 1 = selects opposite timer The TB bit (bit 7) selects which timer is the reference timer and which timer is the opposite timer.

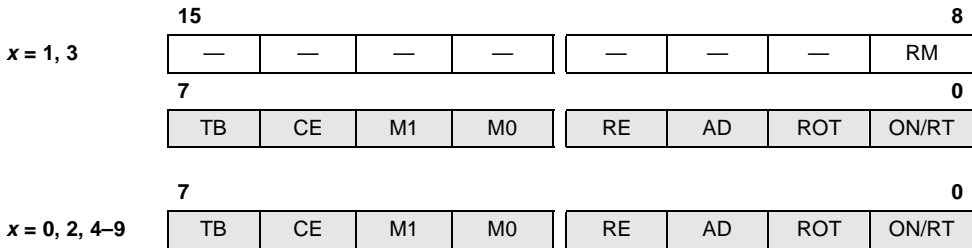
† These bits apply to the EPA1_CON and EPA3_CON registers only.

Figure 10-10. EPA Control (EPA_x_CON) Registers (Continued)

EPA_x_CON (Continued)
x = 0–9 (8XC196Kx)
x = 0–3, 8, 9 (8XC196CA, Jx)

Address: 1F60H + (x * 4)
 Reset State: F700H (x = 1 & 3)
 00H(x = 0, 2, 4–9)

The EPA control (EPA_x_CON) registers control the functions of their assigned capture/compare channels. The registers for EPA0, EPA2, and EPA4–9 are identical. The registers for EPA1 and EPA3 have an additional bit, the remap bit. This added bit (bit 8) requires an additional byte, so EPA1_CON and EPA3_CON must be addressed as words, while the others can be addressed as bytes.



Bit Number	Bit Mnemonic	Function
0	ON/RT	Overwrite New/Reset Timer The ON/RT bit functions as overwrite new in capture mode and reset timer in compare mode. In Capture Mode (ON): An overrun error is generated when an input capture occurs while the event-time register (EPA _x _TIME) and its buffer are both full. When an overrun occurs, the ON bit determines whether old data is overwritten or new data is ignored: 0 = ignores new data 1 = overwrites old data in the buffer In Compare Mode (RT): 0 = disables the reset function 1 = resets the ROT-selected timer

† These bits apply to the EPA1_CON and EPA3_CON registers only.

Figure 10-10. EPA Control (EPA_x_CON) Registers (Continued)

10.5.4 Programming the Compare-only Channels

To program a compare event, you must first write to the COMP_x_CON (Figure 10-11) register to configure the compare-only channel and then load the event time into COMP_x_TIME. COMP_x_CON has the same bits and settings as EPA_x_CON. COMP_x_TIME is functionally identical to EPA_x_TIME.

COMP_x_CON x = 0-1				Address: x = 0, 1F88H x = 1, 1F8CH																		
				Reset State: 00H																		
The EPA compare control (COMP _x _CON) registers determine the function of the EPA compare channels.																						
7				0																		
TB	CE	M1	M0	RE	AD	ROT	RT															
Bit Number	Bit Mnemonic	Function																				
7	TB	Time Base Select Specifies the reference timer. 1 = timer 2 is the reference timer and timer 1 is the opposite timer 0 = timer 1 is the reference timer and timer 2 is the opposite timer A compare event (start of an A/D conversion; clearing, setting, or toggling an output pin; and/or resetting either timer) occurs when the reference timer matches the time programmed in the event-time register.																				
6	CE	Compare Enable This bit enables the compare function. 1 = compare function enabled 0 = compare function disabled																				
5:4	M1:0	EPA Mode Select Specifies the type of compare event. <table border="0" style="width: 100%;"> <tr> <td style="text-align: left;">M1</td> <td style="text-align: left;">M0</td> <td></td> </tr> <tr> <td>0</td> <td>0</td> <td>no output</td> </tr> <tr> <td>0</td> <td>1</td> <td>clear output pin</td> </tr> <tr> <td>1</td> <td>0</td> <td>set output pin</td> </tr> <tr> <td>1</td> <td>1</td> <td>toggle output pin</td> </tr> </table>						M1	M0		0	0	no output	0	1	clear output pin	1	0	set output pin	1	1	toggle output pin
M1	M0																					
0	0	no output																				
0	1	clear output pin																				
1	0	set output pin																				
1	1	toggle output pin																				
3	RE	Re-enable Allows a compare event to continue to execute each time the event-time register (COMP _x _TIME) matches the reference timer rather than only upon the first time match. 1 = compare function always enabled 0 = compare function will drive the output only once.																				

Figure 10-11. EPA Compare Control (COMP_x_CON) Registers

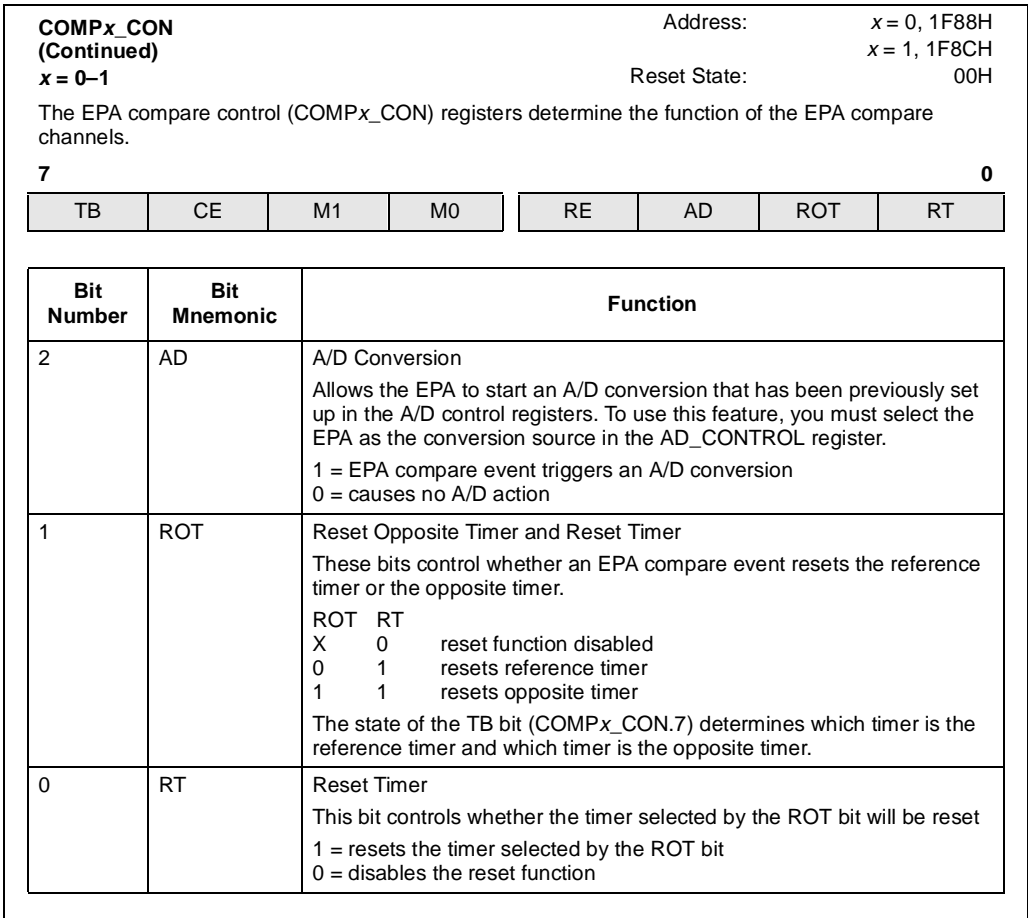
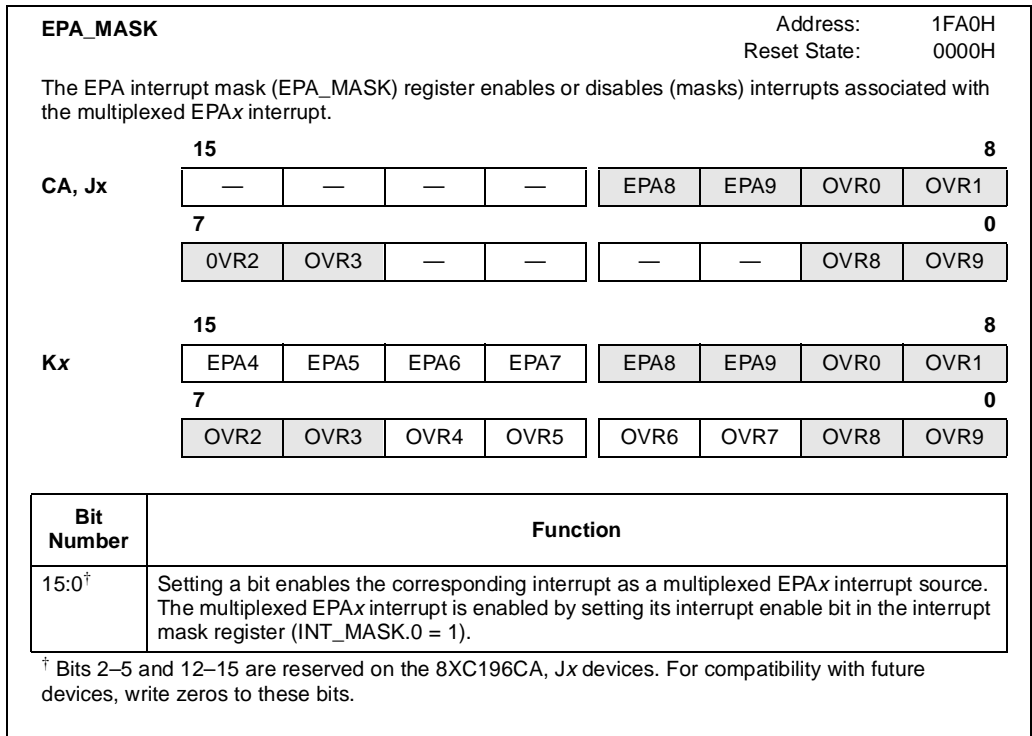
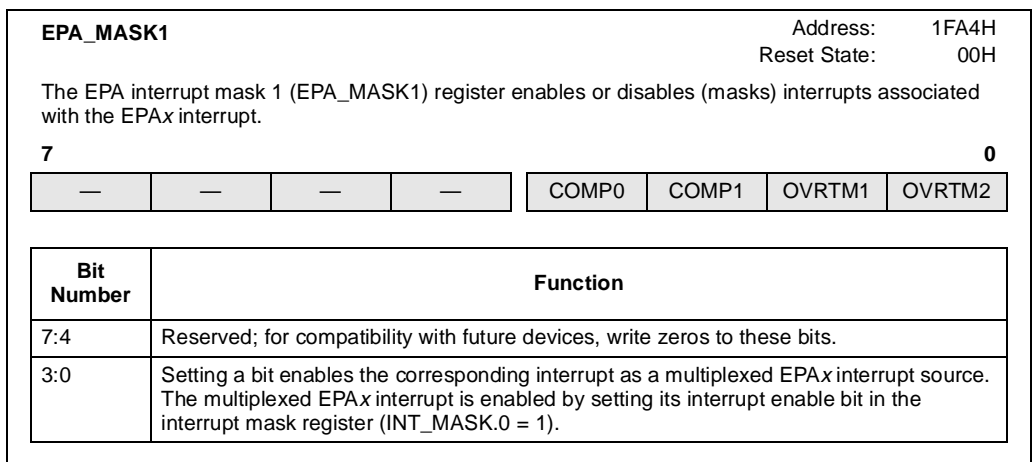


Figure 10-11. EPA Compare Control (COMP_x_CON) Registers (Continued)

10.6 ENABLING THE EPA INTERRUPTS

The EPA generates four individual event interrupts, EPA0–EPA3, and the multiplexed event interrupt, EPA_x. To enable the interrupts, set the corresponding bits in the INT_MASK register (Figure 5-5 on page 5-13). To enable the individual sources of the multiplexed EPA_x interrupt, set the corresponding bits in the EPA_MASK (Figure 10-12) and EPA_MASK1 (Figure 10-13) registers. (Chapter 5, “Standard and PTS Interrupts,” discusses the interrupts in greater detail.)


Figure 10-12. EPA Interrupt Mask (EPA_MASK) Register

Figure 10-13. EPA Interrupt Mask 1 (EPA_MASK1) Register

10.7 DETERMINING EVENT STATUS

In compare mode, an interrupt pending bit is set each time a match occurs on an enabled event (even if the interrupt is specifically masked in the mask register). In capture mode, an interrupt pending bit is set each time a programmed event is captured and the event time moves from the capture buffer to the EPA_x_TIME register. If the capture buffer is full when an event occurs, an overrun interrupt pending bit is set.

The EPA0–EPA3 pending bits are located in INT_PEND (Figure 5-5 on page 5-13). The pending bits for the multiplexed interrupts (those that share EPA_x) are located in EPA_PEND (Figure 10-14) and EPA_PEND1 (Figure 10-15). If an interrupt is masked, software can still poll the interrupt pending registers to determine whether an event has occurred.

EPA_PEND		Address:	1FA2H							
		Reset State:	0000H							
When hardware detects a pending EPA _x interrupt, it sets the corresponding bit in EPA interrupt pending (EPA_PEND or EPA_PEND1) registers. The EPAIPV register contains a number that identifies the highest priority, active, multiplexed interrupt source. When EPAIPV is read, the EPA interrupt pending bit associated with the EPAIPV priority value is cleared.										
CA, Jx	15	—				EPA8	EPA9	OVR0	OVR1	8
	7	OVR2	OVR3	—	—	—	—	OVR8	OVR9	0
	15	EPA4	EPA5	EPA6	EPA7	EPA8	EPA9	OVR0	OVR1	8
	7	OVR2	OVR3	OVR4	OVR5	OVR6	OVR7	OVR8	OVR9	0
		Bit Number	Function							
		15:0 [†]	Any set bit indicates that the corresponding EPA _x interrupt source is pending. The bit is cleared when the EPA interrupt priority vector register (EPAIPV) is read.							
		[†] Bits 2–5 and 12–15 are reserved on the 8XC196CA, Jx devices. For compatibility with future devices, write zeros to these bits.								

Figure 10-14. EPA Interrupt Pending (EPA_PEND) Register

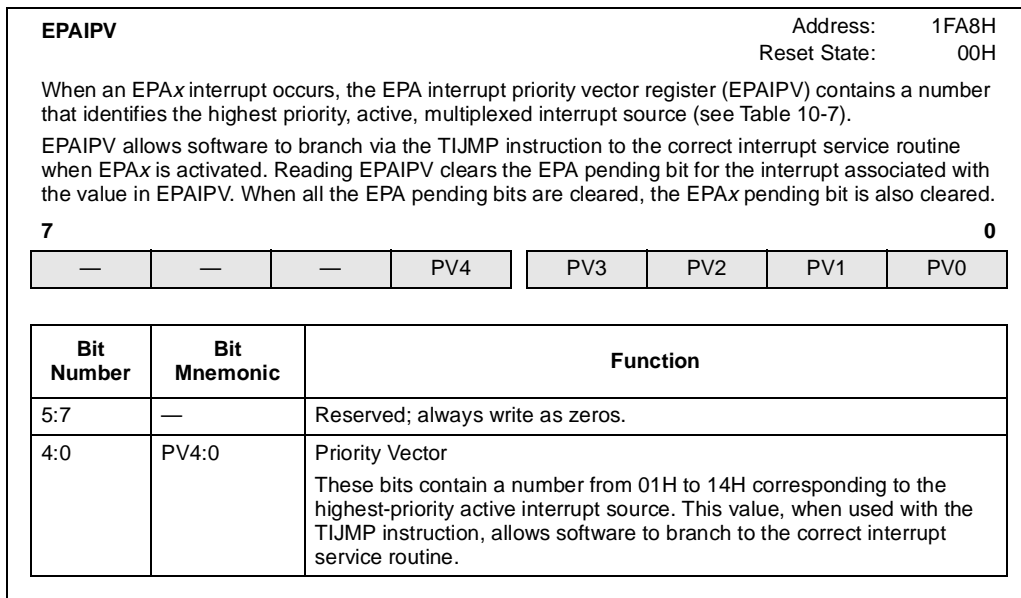


Figure 10-16. EPA Interrupt Priority Vector Register (EPAIPV)

Table 10-7. EPAIPV Interrupt Priority Values

	Value	Interrupt	Value	Interrupt	Value	Interrupt	
highest	14H	EPA4	0DH	OVR1	06H	OVR8	lowest
	13H	EPA5	0CH	OVR2	05H	OVR9	
	12H	EPA6	0BH	OVR3	04H	COMP0	
	11H	EPA7	0AH	OVR4	03H	COMP1	
	10H	EPA8	09H	OVR5	02H	OVRTM1	
	0FH	EPA9	08H	OVR6	01H	OVRTM2	
	0EH	OVR0	07H	OVR7	00H	None Pending	

10.8.1 Using the TIJMP Instruction to Reduce Interrupt Service Overhead

The EPAIPV register and the TIJMP instruction can be used together to reduce the interrupt service overhead. The primary purpose of the TIJMP instruction is to reduce the interrupt response time associated with servicing multiplexed interrupts. With TIJMP, the additional time required to service interrupts is only the instruction time, 15 states. (See Appendix A for additional information about TIJMP.)

The format for the TIJMP instruction is `TIJMP tbase, [index], #index_mask`

where:

<i>tbase</i>	is a word register containing the 16-bit starting address of the jump table.
[<i>index</i>]	is a word register containing a 16-bit address that points to a register that contains a 7-bit value used to calculate the offset into the jump table.
# <i>index_mask</i>	is 7-bit immediate data to mask the index. This value is ANDed with the 7-bit value pointed to by [<i>index</i>] and multiplies the result by two to determine the offset into the jump table.

TIJMP calculates the destination address as follows:

$$([\textit{index}] \text{ AND } \# \textit{index_mask}) \times 2 + \textit{tbase}$$

To use the TIJMP instruction in this application, you would create a jump table with 21 destination addresses; one for each of the 20 EPA interrupt sources and one for the return.

The following code is a simplified example of an interrupt service routine that uses the EPAIPV register with the TIJMP instruction to service an EPA x interrupt. This routine services all active interrupts in the EPA in order of their priority. The TIJMP instruction calculates an offset to fetch a word from a jump table (JTBASE in this example) which contains the start addresses of the interrupt service routines.

```

INIT_INTERRUPTS:
    LD    JTBASE_PTR,#LSW JTBASE           ;store jump table base address

EPAx_ISR:
    LD    EPAIPV_PTR,#EPAIPV             ;read EPAIPV offset

    PUSHA                                ;save INT_MASK/INT_MASK1/WSR/PSW
    TIJMP JTBASE_PTR,[EPAIPV_PTR],#1FH    ;initiate jump to correct ISR

OVR_EPA0_ISR:
    .                                     ;EPA0 overrun routine
    .                                     ;
    TIJMP JTBASE_PTR,[EPAIPV_PTR],#1FH    ;check for pending
                                           ;interrupts, exit

EPAx_DONE:
    POPA
    RET                                   ;exit, all EPAX
                                           ;interrupts serviced

JTBASE:
    DCW   LSW EPAX_done                   ;0 (no interrupt pending)
    DCW   LSW OVR_TM2_ISR                 ;1 (Timer2 overflow)
    DCW   LSW OVR_TM1_ISR                 ;2 (Timer1 overflow)
    DCW   .
    DCW   .
    DCW   .
    DCW   LSW OVR_EPA0_ISR                ;0EH (EPA0 overflow)

```

This example assumes that EPAX is enabled, OVR0 is enabled, interrupts are globally enabled, and the capture/compare channel 0 has generated an OVR0 interrupt. This interrupt occurs when an edge is detected on the EPA channel and both the input buffer and EPA0_TIME are full. This causes software to enter the EPAX_ISR interrupt service routine.

Note that *index_mask* is set to 1FH . This sets the pointer to the end of the jump table to prevent software from jumping to an invalid address. Changing *index_mask* can dictate software control, thus superseding interrupt priorities.

Note that instead of a RET instruction at the end of OVR_EPA0_ISR, another TIJMP instruction is used. This is done to check for any other pending multiplexed interrupts. If EPAIPV contains a zero value (no pending interrupts) a vector to EPAX_DONE occurs and a RET is executed. This is to ensure that EPAIPV is cleared before the routine returns from the EPAX_ISR.

10.9 PROGRAMMING EXAMPLES FOR EPA CHANNELS

The three programming examples provided in this section demonstrate the use of the EPA channel for a compare event, for a capture event, and for generation of a PWM signal. The programs demonstrate the detection of events by a polling scheme, by interrupts, and by the PTS. All three examples were created using *ApBUILDER*, an interactive application program available through Intel Literature Fulfillment or the Intel Applications Bulletin Board system (BBS). See Chapter 1, “Guide to This Manual,” for information about ordering information from Intel Literature and downloading files from the BBS. These sample program were written in the C programming language. ASM versions are also available from *ApBUILDER*.

NOTE

The initialization file (80c196kr.h) used in these examples is available from the Intel Applications BBS.

10.9.1 EPA Compare Event Program

This example C program demonstrates an EPA compare event. It sets up EPA channel 0 to toggle its output pin whenever timer 1 is zero. This program uses no interrupts; a polling scheme detects the EPA event. The program initializes EPA channel 0 for a compare event.

```
#pragma model(KR)
#include <80c196kr.h>

#define COMPARE      0x40
#define RE_ENABLE    0x08
#define TOGGLE_PIN   0x30
#define USE_TIMER1   0x00
#define EPA0_INT_BIT  47

void init_epa0()
{
    epa0_con = COMPARE |
              TOGGLE_PIN |
              RE_ENABLE |
              USE_TIMER1;
    epa0_time = 0;
    setbit(pl_reg, 0); /* int reg */
    clrbit(pl_dir, 0); /* make output pin */
    setbit(pl_mode, 0); /* select EPA mode */
}

void init_timer1()
{
    tlcontrol = COUNT_ENABLE |
              COUNT_UP |
              CLOCK_INTERNAL |
              DIVIDE_BY_1;
}
```

```

void poll_epa0()
{
    if(checkbit(int_pend, EPA0_INT_BIT))
    {
        /* User code for event channel 0 would go here. */
        /* Since this event is absolute and re-enabled, no polling is necessary.*/
        clrbit(int_pend, EPA0_INT_BIT);
    }
}

void main(void)
{
    /* Initialize the timers before using the epa */
    init_timer1();
    init_epa0();
    /* EPA events can be serviced by polling int_pend
       or epa_pend. */
    while(1)
    {
        poll_epa0();
    }
}

```

10.9.2 EPA Capture Event Program

This example C program demonstrates an EPA capture event. It sets up EPA channel 0 to capture edges (rising and falling) on the EPA0 pin. The program also shows how to set up the EPA interrupts. You can add your own code for the interrupt service routine.

```

#pragma model(KR)
#include <80c196kr.h>

#define COUNT_ENABLE          0x80
#define COUNT_UP              0x40
#define CLOCK_INTERNAL        0x00
#define DIVIDE_BY_1           0x00
#define CAPTURE                0x00
#define BOTH_EDGE             0x30
#define USE_TIMER1            0x00
#define EPA0_INT_BIT          4

void init_epa0()
{
    epa0_con = CAPTURE |
               BOTH_EDGE |
               USE_TIMER1;
    setbit(pl_reg, 0); /* int reg */
    setbit(pl_dir, 0); /* make input pin */
    setbit(pl_mode, 0); /* select EPA mode */
    setbit(int_mask, EPA0_INT_BIT); /* unmask EPA interrupts */
}

#pragma interrupt(epa0_interrupt=EPA0_INT_BIT)
void epa0_interrupt()
{
    unsigned int time_value;
}

```

```

time_value = epa0_time; /* must read to prevent overrun */
}
/* To generate have code for the epax interrupt,select the ICU design screen.*/
void init_timer1()
{
    tlcontrol = COUNT_ENABLE |
                COUNT_UP |
                CLOCK_INTERNAL |
                DIVIDE_BY_1;
}

void main(void)
{
    unsigned int time_value;

    /* Initialize the timers and interrupts before using the EPA */
    init_timer1();
    init_epa0();
    enable();          /* Globally enable interrupts */
    while(1);         /* loop forever, wait for interrupts to occur */
}

```

10.9.3 EPA PWM Output Program

This example C program demonstrates the generation of a PWM signal using the EPA's PWM toggle mode (see "PWM Modes" on page 5-31) and shows how to service the interrupts with the PTS. The PWM signal in this example has a 50% duty cycle.

```

#pragma model(KR)
#include <80c196kr.h>
#define    PTS_BLOCK_BASE    0x98

/* Create typedef template for the PWM_TOGGLE mode control block.*/
typedef struct PWM_toggle_ptscb_t {
    unsigned char unused;
    unsigned char ptscon;
    void *pts_ptr;
    unsigned int constant1;
    unsigned int constant2;
} PWM_toggle_ptscb;

/* This locates the PTS block mode control block in register ram. This */
/* control block may be located at any quad-word boundary. */

register PWM_toggle_ptscb PWM_toggle_CB_3;
#pragma locate(PWM_toggle_CB_3=PTS_BLOCK_BASE)

/* The PTS vector must contain the address of the PTS control block.*/
#pragma pts(PWM_toggle_CB_3=0x3)

```

```
/* Sample PTS control block initialization sequence.*/

void Init_PWM_toggle_PTS3(void)
{
    disable();          /* disable all interrupts */
    disable_pts();     /* disable the PTS interrupts */

    PWM_toggle_CB_3.constant2 = 127;
    PWM_toggle_CB_3.constant1 = 127;
    PWM_toggle_CB_3.pts_ptr   = (void *)&EPA0_TIME;
    PWM_toggle_CB_3.ptscon    = 0x42;

/* Sample code that could be used to generate a PWM with an EPA channel.*/

    setbit(pl_reg, 0x1); /* init output */
    clrbit(pl_dir, 0x1); /* set to output */
    setbit(pl_mode, 0x1); /* set special function*/
    setbit(ptssel, 0x3);
    setbit(int_mask, 0x3)
}

void main(void)
{
    Init_PWM_toggle_PTS3();
    epal_con = 0x78; /* toggle, timer1, compare, re-enable */
    epal_timer = 127;
    tlcontrol = 0xC2; /* enable timer, up 1 microsecond @ 16 MHz */
    enable_pts();
    while(1);
}
```



11

Analog-to-digital Converter



CHAPTER 11

ANALOG-TO-DIGITAL CONVERTER

The analog-to-digital (A/D) converter can convert an analog input voltage to a digital value and set the A/D interrupt pending bit when it stores the result. It can also monitor a pin and set the A/D interrupt pending bit when the input voltage crosses over or under a programmed threshold voltage. This chapter describes the A/D converter and explains how to program it.

11.1 A/D CONVERTER FUNCTIONAL OVERVIEW

The A/D converter (Figure 11-1) can convert an analog input voltage to an 8- or 10-bit digital result and set the A/D interrupt pending bit when it stores the result. It can also monitor an input and set the A/D interrupt pending bit when the input voltage crosses over or under the programmed threshold voltage.

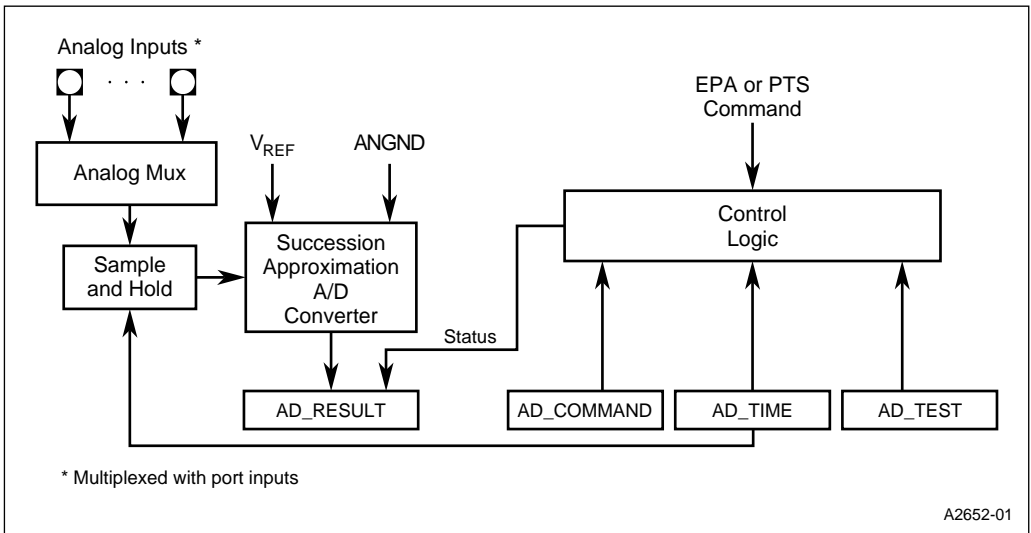


Figure 11-1. A/D Converter Block Diagram

11.2 A/D CONVERTER SIGNALS AND REGISTERS

Table 11-1 lists the A/D signals and Table 11-2 describes the control and status registers. Although the analog inputs are multiplexed with I/O port pins, no configuration is necessary.

Table 11-1. A/D Converter Pins

Port Pin	A/D Signal	A/D Signal Type	Description
P0.7:0 P0.7:2	ACH7:0 (Kx) ACH7:2 (CA, Jx)	I	Analog Inputs Input channels to the A/D converter. See the "Voltage on Analog Input Pin" specification in the datasheet for acceptable voltage ranges.
—	ANGND	GND	Reference Ground Must be connected for A/D converter and port operation.
—	V _{REF}	PWR	Reference Voltage Must be connected for A/D converter and port operation.

Table 11-2. A/D Control and Status Registers

Mnemonic	Address	Description
AD_COMMAND	1FACH	A/D Command This register selects the A/D channel, controls whether the A/D conversion starts immediately or is triggered by the EPA, and selects the operating mode.
AD_RESULT	1FAAH, 1FABH	A/D Result For an A/D conversion, the high byte contains the eight MSBs from the conversion, while the low byte contains the two LSBs from a 10-bit conversion (undefined for an 8-bit conversion), indicates which A/D channel was used, and indicates whether the channel is idle. For a threshold-detection, calculate the value for the successive approximation register and write that value to the high byte of AD_RESULT. Clear the low byte or leave it in its default state.
AD_TEST	1FAEH	A/D Conversion Test This register enables conversions on ANGND and V _{REF} and specifies adjustments for zero-offset errors.
AD_TIME	1FAFH	A/D Conversion Time This register defines the sample window time and the conversion time for each bit.
INT_MASK	0008H	Interrupt Mask The AD bit in this register enables or disables the A/D interrupt. Set the AD bit to enable the interrupt request.
INT_PEND	0009H	Interrupt Pending The AD bit in this register, when set, indicates that an A/D interrupt request is pending.

Table 11-2. A/D Control and Status Registers (Continued)

Mnemonic	Address	Description
P0_PIN	1FDAH	<p>Port 0 Pin State</p> <p>Read P0_PIN to determine the current values of the port 0 pins. Reading the port induces noise into the A/D converter, decreasing the accuracy of any conversion in progress. We strongly recommend that you not read the port while an A/D conversion is in progress. To reduce noise, the P0_PIN register is clocked only when the port is read.</p>

11.3 A/D CONVERTER OPERATION

An A/D conversion converts an analog input voltage to a digital value, stores the result in the AD_RESULT register, and sets the A/D interrupt pending bit. An 8-bit conversion provides 20 mV resolution, while a 10-bit conversion provides 5 mV resolution. An 8-bit conversion takes less time than a 10-bit conversion because it has two fewer bits to resolve and the comparator requires less settling time for 20 mV resolution than for 5 mV resolution.

You can convert either the voltage on an analog input channel or a test voltage. Converting the test inputs allows you to calculate the zero-offset error, and the zero-offset adjustment allows you to compensate for it. This feature can reduce or eliminate off-chip compensation hardware. Typically, you would convert the test voltages and adjust for the zero-offset error before performing conversions on an input channel. The AD_TEST register allows you to select a test voltage and program a zero-offset adjustment.

A threshold-detection compares an input voltage to a programmed reference voltage and sets the A/D interrupt pending bit when the input voltage crosses over or under the reference voltage.

A conversion can be started by a write to the AD_COMMAND register or it can be initiated by the EPA, which can provide equally spaced samples or synchronization with external events. (See “Programming the EPA and Timer/Counters” on page 10-17.) The A/D scan mode of the peripheral transaction server (PTS) allows you to perform multiple conversions and store their results. (See “A/D Scan Mode” on page 5-26.)

Once the A/D converter receives the command to start a conversion, a delay time elapses before sampling begins. (EPA-initiated conversions begin after the capture/compare event. Immediate conversions, those initiated directly by a write to AD_COMMAND, begin within three state times after the instruction is completed.) During this *sample delay*, the hardware clears the successive approximation register and selects the designated multiplexer channel. After the sample delay, the device connects the multiplexer output to the sample capacitor for the specified sample time. After this *sample window* closes, it disconnects the multiplexer output from the sample capacitor so that changes on the input pin will not alter the stored charge while the conversion is in progress. The device then zeros the comparator and begins the conversion.

The A/D converter uses a successive approximation algorithm to perform the analog-to-digital conversion. The converter hardware consists of a 256-resistor ladder, a comparator, coupling capacitors, and a 10-bit successive approximation register (SAR) with logic that guides the process. The resistive ladder provides 20 mV steps ($V_{REF} = 5.12$ volts), while capacitive coupling creates 5 mV steps within the 20 mV ladder voltages. Therefore, 1024 internal reference voltage levels are available for comparison against the analog input to generate a 10-bit conversion result. In 8-bit conversion mode, only the resistive ladder is used, providing 256 internal reference voltage levels.

The successive approximation conversion compares a sequence of reference voltages to the analog input, performing a binary search for the reference voltage that most closely matches the input. The $\frac{1}{2}$ full scale reference voltage is the first tested. This corresponds to a 10-bit result where the most-significant bit is zero and all other bits are ones (011111111B). If the analog input was less than the test voltage, bit 10 of the SAR is left at zero, and a new test voltage of $\frac{1}{4}$ full scale (001111111B) is tried. If the analog input was greater than the test voltage, bit 9 of SAR is set. Bit 8 is then cleared for the next test (010111111B). This binary search continues until 10 (or 8) tests have occurred, at which time the valid conversion result resides in the AD_RESULT register where it can be read by software. The result is equal to the ratio of the input voltage divided by the analog supply voltage. If the ratio is 1.00, the result will be all ones.

11.4 PROGRAMMING THE A/D CONVERTER

The following A/D converter parameters are programmable:

- conversion input — input channel or test voltage (ANGND or V_{REF})
- zero-offset adjustment — no adjustment, plus 2.5 mV, minus 2.5 mV, or minus 5.0 mV
- conversion times — sample window time and conversion time for each bit
- operating mode — 8- or 10-bit conversion or 8-bit high or low threshold detection
- conversion trigger — immediate or EPA starts

This section describes the A/D converters's registers and explains how to program them.

11.4.1 Programming the A/D Test Register

The AD_TEST register (Figure 11-2) selects either an analog input or a test voltage (ANGND or V_{REF}) for conversion and specifies an offset voltage to be applied to the resistor ladder. To use the zero-offset adjustment, first perform two conversions, one on ANGND and one on V_{REF} . With the results of these conversions, use a software routine to calculate the zero-offset error. Specify the zero-offset adjustment by writing the appropriate value to AD_TEST. This offset voltage is added to the resistor ladder and applies to all input channels. “Understanding A/D Conversion Errors” on page 11-14 describes zero-offset and other errors inherent in A/D conversions.

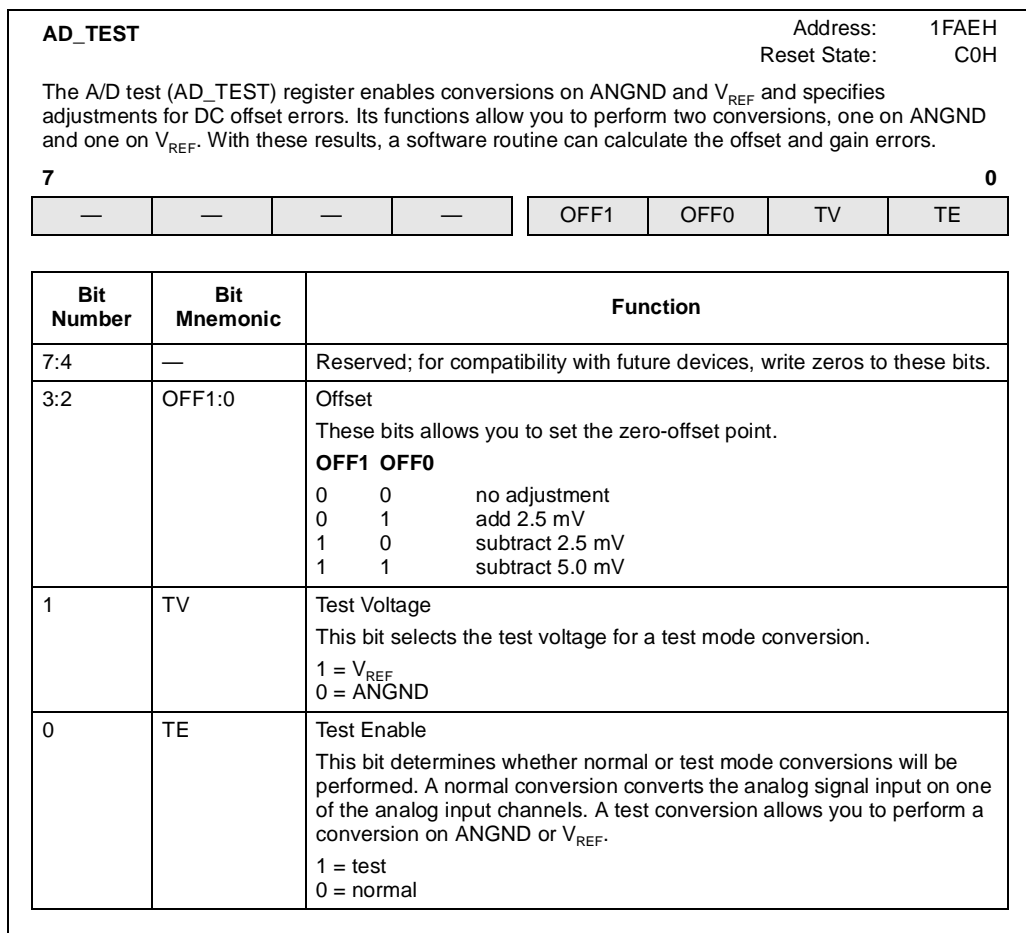


Figure 11-2. A/D Test (AD_TEST) Register

11.4.2 Programming the A/D Result Register (for Threshold Detection Only)

To use the threshold-detection modes, you must first write a value to the high byte of AD_RESULT to set the desired reference (threshold) voltage.

AD_RESULT (Write)		Address: 1FAAH					
		Reset State: 7F80H					
The high byte of the A/D result (AD_RESULT) register can be written to set the reference voltage for the A/D threshold-detection modes.							
15 8							
REFV7	REFV6	REFV5	REFV4	REFV3	REFV2	REFV1	REFV0
7							0
—	—	—	—	—	—	—	—
Bit Number	Bit Mnemonic	Function					
15:8	REFV7:0	Reference Voltage These bits specify the threshold value. This selects a reference voltage that is compared with an analog input pin. When the voltage on the analog input pin crosses over (detect high) or under (detect low) the threshold value, the A/D interrupt flag is set. Use the following formula to determine the value to write this register for a given threshold voltage. $\text{reference voltage} = \frac{\text{desired threshold voltage} \times 256}{V_{\text{REF}} - \text{ANGND}}$					
7:0	—	Reserved; for compatibility with future devices, write zeros to these bits.					

Figure 11-3. A/D Result (AD_RESULT) Register — Write Format

11.4.3 Programming the A/D Time Register

Two parameters, sample time and conversion time, control the time required for an A/D conversion. The sample time is the length of time that the analog input voltage is actually connected to the sample capacitor. If this time is too short, the sample capacitor will not charge completely. If the sample time is too long, the input voltage may change and cause conversion errors. The conversion time is the length of time required to convert the analog input voltage stored on the sample capacitor to a digital value. The conversion time must be long enough for the comparator and circuitry to settle and resolve the voltage. Excessively long conversion times allow the sample capacitor to discharge, degrading accuracy.

The AD_TIME register (Figure 11-4) specifies the A/D sample and conversion times. To avoid erroneous conversion results, use the T_{SAM} and T_{CONV} specifications on the datasheet to determine appropriate values.

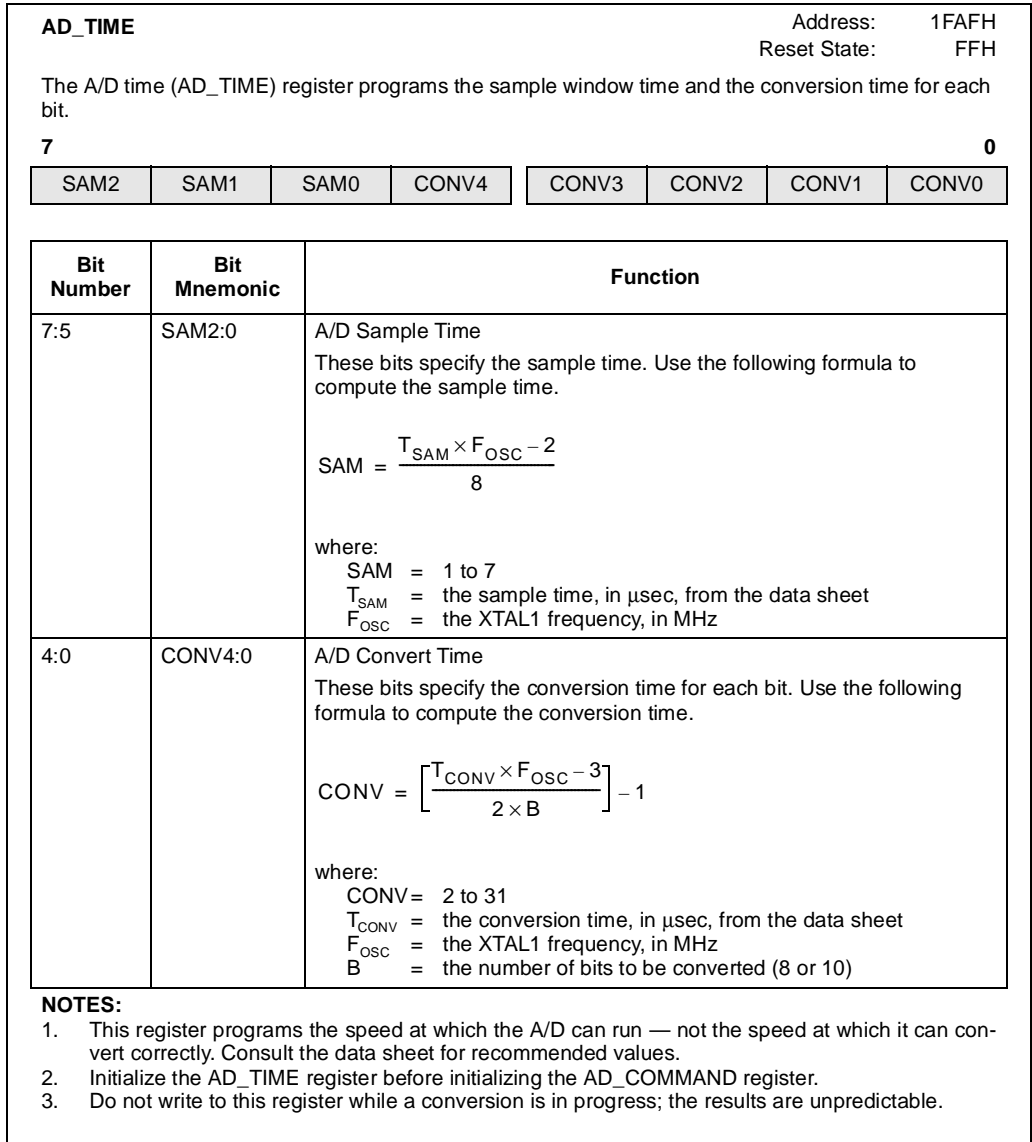


Figure 11-4. A/D Time (AD_TIME) Register

11.4.4 Programming the A/D Command Register

The A/D command register controls the operating mode, the analog input channel, and the conversion trigger.

AD_COMMAND	Address:	1FACH
	Reset State:	C0H

The A/D command (AD_COMMAND) register selects the A/D channel number to be converted, controls whether the A/D converter starts immediately or with an EPA command, and selects the conversion mode.

7 0

—	—	M1	M0	GO	ACH2	ACH1	ACH0
---	---	----	----	----	------	------	------

Bit Number	Bit Mnemonic	Function															
7:6	—	Reserved; for compatibility with future devices, write zeros to these bits.															
5:4	M1:0	A/D Mode (Note 1) These bits determine the A/D mode. <table style="margin-left: 20px; border-collapse: collapse;"> <tr> <td style="padding-right: 10px;">M1</td> <td style="padding-right: 10px;">M0</td> <td>Mode</td> </tr> <tr> <td>0</td> <td>0</td> <td>10-bit conversion</td> </tr> <tr> <td>0</td> <td>1</td> <td>8-bit conversion</td> </tr> <tr> <td>1</td> <td>0</td> <td>threshold detect high</td> </tr> <tr> <td>1</td> <td>1</td> <td>threshold detect low</td> </tr> </table>	M1	M0	Mode	0	0	10-bit conversion	0	1	8-bit conversion	1	0	threshold detect high	1	1	threshold detect low
M1	M0	Mode															
0	0	10-bit conversion															
0	1	8-bit conversion															
1	0	threshold detect high															
1	1	threshold detect low															
3	GO	A/D Conversion Trigger (Note 2) Writing this bit arms the A/D converter. The value that you write to it determines at what point a conversion is to start. 1 = start immediately 0 = EPA initiates conversion															
2:0	ACH2:0	A/D Channel Selection Write the A/D conversion channel number to these bits. The 87C196CA, 8XC196Jx devices have six A/D channels, numbered 2–7. The 8XC196Kx devices have eight channels, numbered 0–7.															

NOTES:

1. While a threshold-detection mode is selected for an analog input pin, no other conversion can be started. If another value is loaded into AD_COMMAND, the threshold-detection mode is disabled and the new command is executed.
2. It is the act of writing to the GO bit, rather than its value, that starts a conversion. Even if the GO bit has the desired value, you must set it again to start a conversion immediately or clear it again to arm it for an EPA-initiated conversion.

Figure 11-5. A/D Command (AD_COMMAND) Register

11.4.5 Enabling the A/D Interrupt

The A/D converter can set the A/D interrupt pending bit when it completes a conversion or when the input voltage crosses the threshold value in the selected direction. To enable the interrupt, set the corresponding mask bit in the interrupt mask register (see Table 11-2 on page 11-2) and execute the EI instruction to globally enable servicing of interrupts. The A/D interrupt can cause the PTS to begin a new conversion. See Chapter 5, “Standard and PTS Interrupts,” for details about interrupts and a description of using the PTS in A/D scan mode.

11.5 DETERMINING A/D STATUS AND CONVERSION RESULTS

You can read the AD_RESULT register (Figure 11-6) to determine the status of the A/D converter. The AD_RESULT register is cleared when a new conversion is started; therefore, to prevent losing data, you must read both bytes before a new conversion starts. If you read AD_RESULT before the conversion is complete, the result is not guaranteed to be accurate.

The conversion result is the ratio of the input voltage to the reference voltage:

$$\text{RESULT (8-bit)} = 255 \times \frac{V_{\text{IN}} - \text{ANGND}}{V_{\text{REF}} - \text{ANGND}} \qquad \text{RESULT (10-bit)} = 1023 \times \frac{V_{\text{IN}} - \text{ANGND}}{V_{\text{REF}} - \text{ANGND}}$$

You can also read the interrupt pending register (see Table 11-2 on page 11-2) to determine the status of the A/D interrupt.

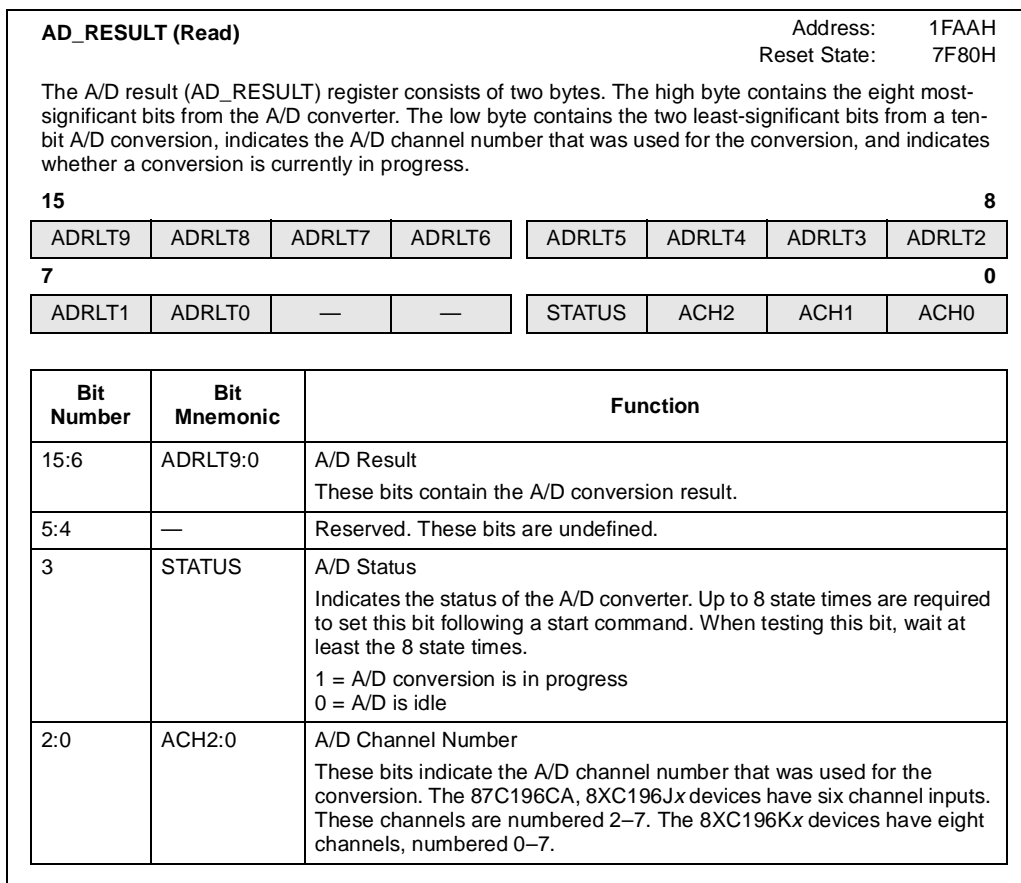


Figure 11-6. A/D Result (AD_RESULT) Register — Read Format

11.6 DESIGN CONSIDERATIONS

This section describes considerations for the external interface circuitry and describes the errors that can occur in any A/D converter. The datasheet lists the *absolute error* specification, which includes all deviations between the actual conversion process and an ideal converter. However, because the various components of error are important in many applications, the datasheet also lists the specific error components. This section describes those components. For additional information and design techniques, consult AP-406, *MCS® 96 Analog Acquisition Primer* (order number 270365). Application note AP-406 is also included in *Automotive Products* and *Embedded Microcontrollers* handbooks.

11.6.1 Designing External Interface Circuitry

The external interface circuitry to an analog input is highly dependent upon the application and can affect the converter characteristics. Factors such as input pin leakage, sample capacitor size, and multiplexer series resistance from the input pin to the sample capacitor must be considered in the external circuit's design. These factors are idealized in Figure 11-7.

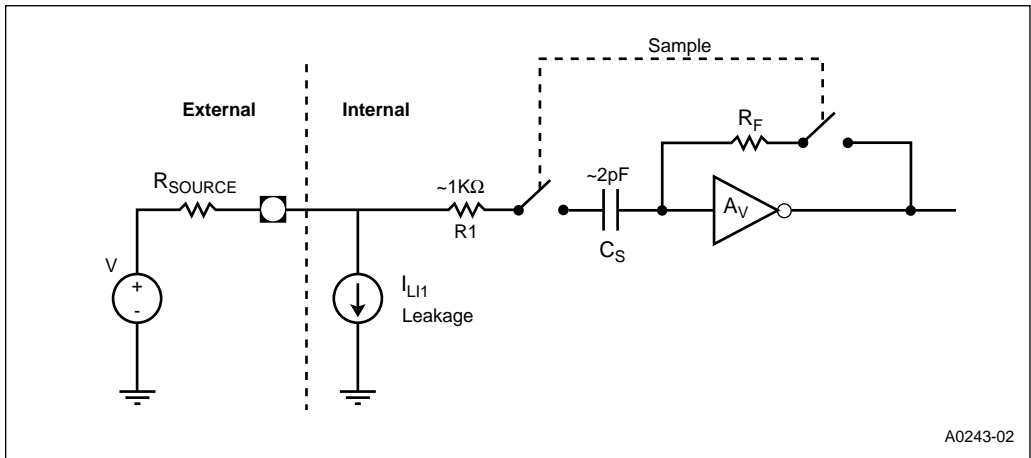


Figure 11-7. Idealized A/D Sampling Circuitry

During the sample window, the external input circuit must be able to charge the sample capacitor (C_S) through the series combination of the input source resistance (R_{SOURCE}), the input series resistance (R_1), and the comparator feedback resistance (R_F). The total effective series resistance (R_T) is calculated using the following formula, where A_V is the gain of the comparator circuit.

$$R_T = R_{SOURCE} + R_1 + \frac{R_F}{A_V + 1}$$

Typically, the $(R_F / A_V + 1)$ term is the major contributor to the total resistance and the factor that determines the minimum sample time specified in the datasheet.

11.6.1.1 Minimizing the Effect of High Input Source Resistance

Under some conditions, the input source resistance (R_{SOURCE}) can be great enough to affect the measurement. You can minimize this effect by increasing the sample time or by connecting an external capacitor (C_{EXT}) from the input pin to ANGND. The external signal will charge C_{EXT} to the source voltage level. When the channel is sampled, C_{EXT} acts as a low-impedance source to charge the sample capacitor (C_S). A small portion of the charge in C_{EXT} is transferred to C_S , resulting in a drop of the sampled voltage. The voltage drop is calculated using the following formula.

$$\text{Sampled Voltage Drop, \%} = \frac{C_S}{C_{EXT} + C_S} \times 100\%$$

If C_{EXT} is 0.005 μF or greater, the error will be less than -0.4 LSB in 10-bit conversion mode. The use of C_{EXT} in conjunction with R_{SOURCE} forms a low-pass filter that reduces noise input to the A/D converter.

High R_{SOURCE} resistance can also cause errors due to the input leakage (I_{LI1}). I_{LI1} is typically much lower than its specified maximum (consult the datasheet for specifications). The combined effect of I_{LI1} leakage and high R_{SOURCE} resistance is calculated using the following formula.

$$\text{error (LSBs)} = \frac{R_{SOURCE} \times I_{LI1} \times 1024}{V_{REF}}$$

where:

- R_{SOURCE} is the input source resistance, in ohms
- I_{LI1} is the input leakage, in amperes
- V_{REF} is the reference voltage, in volts

External circuits with R_{SOURCE} resistance of 1 $\text{K}\Omega$ or lower and V_{REF} equal to 5.0 volts will have a resultant error due to source impedance of 0.6 LSB or less.

11.6.1.2 Suggested A/D Input Circuit

The suggested A/D input circuit shown in Figure 11-8 provides limited protection against over-voltage conditions on the analog input. Should the input voltage be driven significantly below ANGND or above V_{REF} , diode D2 or D1 will forward bias at about 0.8 volts. The device's input protection begins to turn on at approximately 0.5 volts beyond ANGND or V_{REF} . The 270 Ω resistor limits the current input to the analog input pin to a safe value, less than 1 mA.

NOTE

Driving any analog input more than 0.5 volts beyond ANGND or V_{REF} begins to activate the input protection devices. This drives current into the internal reference circuitry and substantially degrades the accuracy of A/D conversions on all channels.

Thoroughly analyze the applicability of the circuit shown in Figure 11-8 before using it in an actual application.

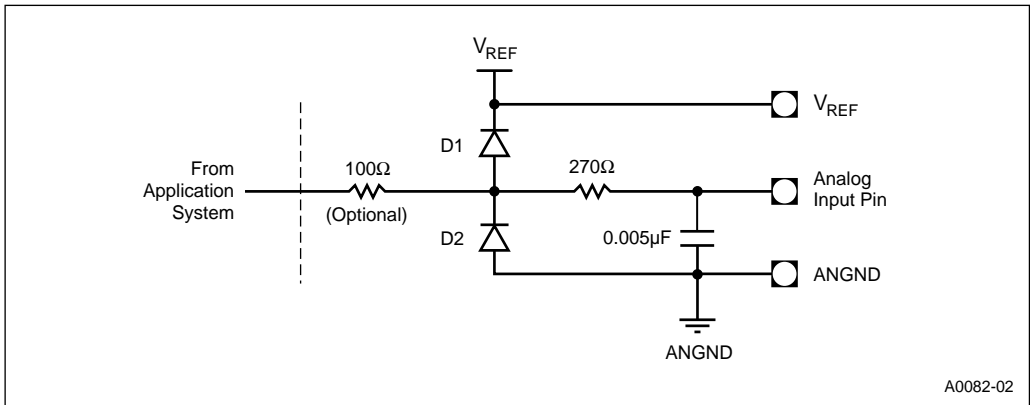


Figure 11-8. Suggested A/D Input Circuit

11.6.1.3 Analog Ground and Reference Voltages

Reference supply levels strongly influence the absolute accuracy of the conversion. For this reason, we recommend that you tie the ANGND pin to the V_{SS} pin as close to the device as possible, using a minimum trace length. In a noisy environment, we highly recommend the use of a separate analog ground plane that connects to V_{SS} at a single point as close to the device as possible. I_{REF} may vary between 2 mA and 5 mA during a conversion. To minimize the effect of this fluctuation, mount a 1.0 μ F ceramic or tantalum bypass capacitor between V_{REF} and ANGND, as close to the device as possible.

ANGND should be within about ± 50 mV of V_{SS} . V_{REF} should be well regulated and used only for the A/D converter. The V_{REF} supply can be between 4.5 and 5.5 V and must be able to source approximately 5 mA (see the datasheet for actual specifications). V_{REF} should be approximately the same voltage as V_{CC} . V_{REF} and V_{CC} should power up at the same time, to avoid potential latch-up conditions on V_{REF} . Large negative current spikes on the ANGND pin relative to V_{SS} may cause the analog circuitry to latch up. This is an additional reason to follow careful grounding practice.

The analog voltage reference (V_{REF}) is the positive supply to which all A/D conversions are compared. It is also the supply to port 0 if the A/D converter is not being used. If high accuracy is not required, V_{REF} can be tied to V_{CC} . If accuracy is important, V_{REF} must be very stable. One way to accomplish this is through the use of a precision power supply or a separate voltage regulator (usually an IC). These devices must be referenced to ANGND, **not** to V_{SS} , to ensure that V_{REF} tracks ANGND and not V_{SS} .

11.6.1.4 Using Mixed Analog and Digital Inputs

Port 0 may be used for both analog and digital input signals at the same time. However, reading the port may inject some noise into the analog circuitry. For this reason, make certain that an analog conversion is **not** in progress when the port is read. Refer to Chapter 6, "I/O Ports," for information about using the port as digital inputs.

11.6.2 Understanding A/D Conversion Errors

The conversion result is the ratio of the input voltage to the reference voltage.

$$\text{RESULT (8-bit)} = 255 \times \frac{V_{IN} - \text{ANGND}}{V_{REF} - \text{ANGND}} \qquad \text{RESULT (10-bit)} = 1023 \times \frac{V_{IN} - \text{ANGND}}{V_{REF} - \text{ANGND}}$$

This ratio produces a stair-stepped *transfer function* when the output code is plotted versus input voltage. The resulting digital codes can be taken as simple ratiometric information, or they provide information about absolute voltages or relative voltage changes on the inputs.

The more demanding the application, the more important it is to fully understand the converter's operation. For simple applications, knowing the *absolute error* of the converter is sufficient. However, closing a servo-loop with analog inputs requires a detailed understanding of an A/D converter's operation and errors.

In many applications, it is less critical to record the absolute accuracy of an input than it is to detect that a change has occurred. This approach is acceptable as long as the converter is *monotonic* and has *no missing codes*. That is, increasing input voltages produce adjacent, unique output codes that are also increasing. Decreasing input voltages produce adjacent, unique output codes that are also decreasing. In other words, there exists a unique input voltage range for each 10-bit output code that produces that code only, with a repeatability of typically ± 0.25 LSBs (1.5 mV).

The inherent errors in an analog-to-digital conversion process are quantizing error, zero-offset error, full-scale error, differential nonlinearity, and nonlinearity. All of these are *transfer function* errors related to the A/D converter. In addition, temperature coefficients, V_{CC} rejection, sample-hold feedthrough, multiplexer off-isolation, channel-to-channel matching, and random noise should be considered. Fortunately, one *absolute error* specification (listed in datasheets) describes the total of all deviations between the actual conversion process and an ideal converter. However, the various components of error are important in many applications.

An unavoidable error results from the conversion of a continuous voltage to an integer digital representation. This error is called *quantizing error* and is always ± 0.5 LSB. Quantizing error is the only error seen in a perfect A/D converter, and is obviously present in actual converters. Figure 11-9 shows the transfer function for an ideal 3-bit A/D converter.

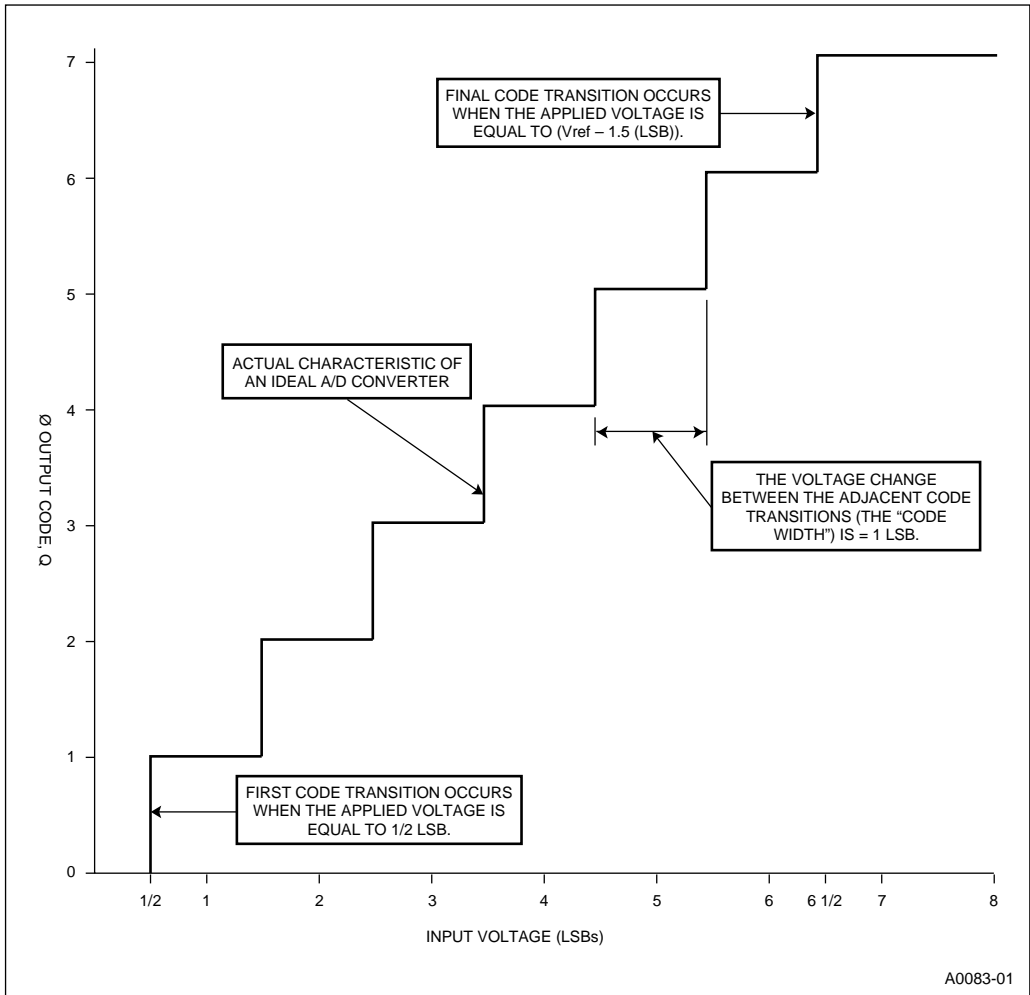


Figure 11-9. Ideal A/D Conversion Characteristic

Note that the ideal characteristic possesses unique qualities:

- its first code transition occurs when the input voltage is 0.5 LSB;
- its full-scale code transition occurs when the input voltage equals the full-scale reference voltage minus 1.5 LSB ($V_{REF} - 1.5\text{LSB}$); and
- its code widths are all exactly one LSB.

These qualities result in a digitization without zero-offset, full-scale, or linearity errors; in other words, a perfect conversion.

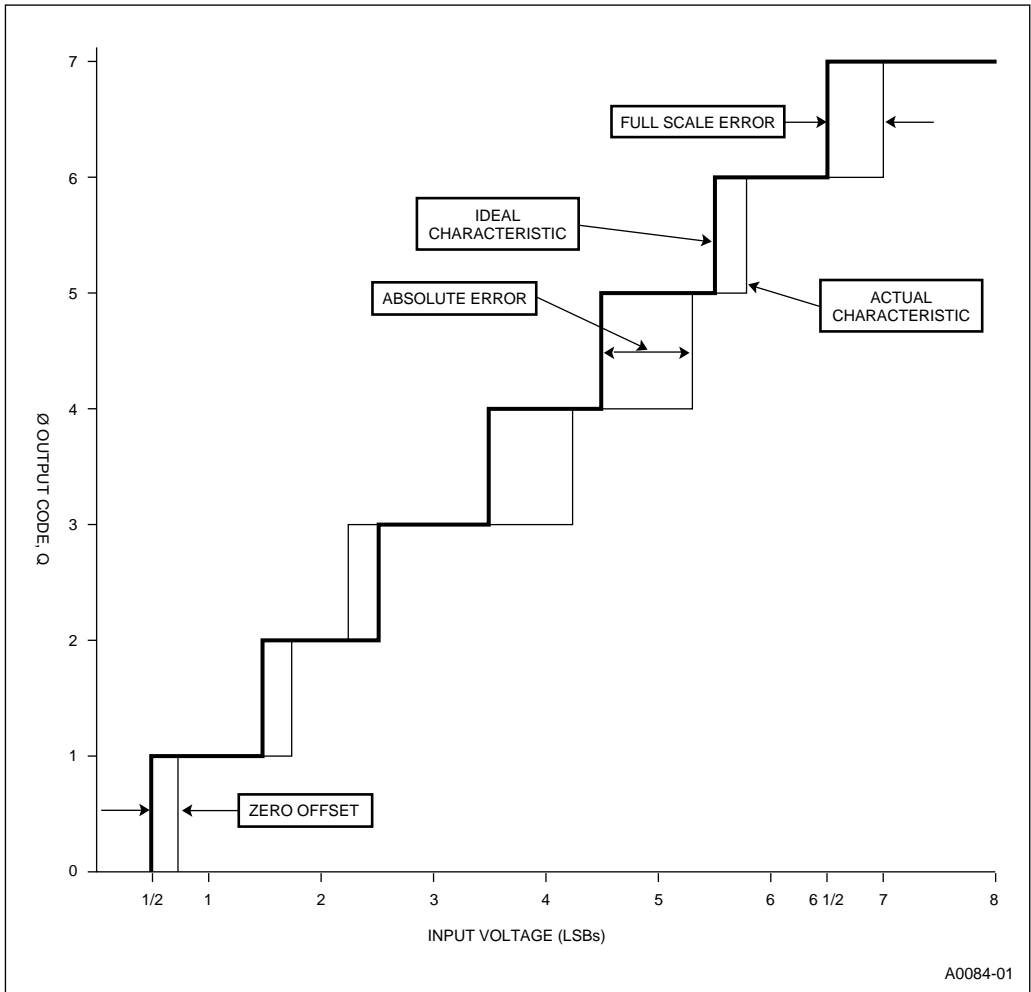


Figure 11-10. Actual and Ideal A/D Conversion Characteristics

The actual characteristic of a hypothetical 3-bit converter is not perfect. When the ideal characteristic is overlaid with the actual characteristic, the actual converter is seen to exhibit errors in the locations of the first and final code transitions and in code widths, as shown in Figure 11-10. The deviation of the first code transition from ideal is called *zero-offset* error, and the deviation of the final code transition from ideal is *full-scale* error. The deviation of a code width from ideal causes two types of errors: differential nonlinearity and nonlinearity. *Differential nonlinearity* is a measure of local code-width error, whereas *nonlinearity* is a measure of overall code-transition error.

Differential nonlinearity is the degree to which actual *code widths* differ from the ideal one-LSB width. It provides a measure of how much the input voltage may have changed in order to produce a one-count change in the conversion result. In the 10-bit converter, the code widths are ideally 5 mV ($V_{REF} / 1024$). If such a converter is specified to have a maximum differential nonlinearity of 2 LSBs (10 mV), then the maximum code width will be no greater than 10 mV larger than ideal, or 15 mV.

Because the A/D converter has *no missing codes*, the minimum code width will always be greater than -1 (negative one). The differential nonlinearity error on a particular code width is compensated for by other code widths in the transfer function, such that 1024 unique steps occur. The actual code widths in this converter typically vary from 2.5 mV to 7.5 mV.

Nonlinearity is the worst-case deviation of *code transitions* from the corresponding code transitions of the ideal characteristic. Nonlinearity describes the extent to which differential nonlinearities can add up to produce an overall maximum departure from a linear characteristic. If the differential nonlinearity errors are too large, it is possible for an A/D converter to miss codes or to exhibit non-monotonic behavior. Neither behavior is desirable in a closed-loop system. A converter has *no missing codes* if there exists for each output code a unique input voltage range that produces that code only. A converter is *monotonic* if every subsequent code change represents an input voltage change in the same direction.

Differential nonlinearity and nonlinearity are quantified by measuring the terminal-based linearity errors. A terminal-based characteristic results when an actual characteristic is translated and scaled to eliminate zero-offset and full-scale error, as shown in Figure 11-11. The terminal-based characteristic is similar to the actual characteristic that would result if zero-offset and full-scale error were externally trimmed away. In practice, this is done by using input circuits that include gain and offset trimming. In addition, V_{REF} could also be closely regulated and trimmed within the specified range to affect full-scale error.

Other factors that affect a real A/D converter system include temperature drift, failure to completely reject unwanted signals, multiplexer channel dissimilarities, and random noise. Fortunately, these effects are small. *Temperature drift* is the rate at which typical specifications change with a change in temperature. These changes are reflected in the *temperature coefficients*. Unwanted signals come from three main sources: noise on V_{CC} , input signal changes on the channel being converted (after the sample window has closed), and signals applied to channels not selected by the multiplexer. The effects of these unwanted signals are specified as *Vcc rejection*, *off-isolation*, and *feedthrough*, respectively. Finally, multiplexer on-channel resistances differ slightly from one channel to the next, which causes *channel-to-channel matching* errors and *repeatability* errors. Differences in DC leakage current from one channel to another and random noise in general contribute to repeatability errors.

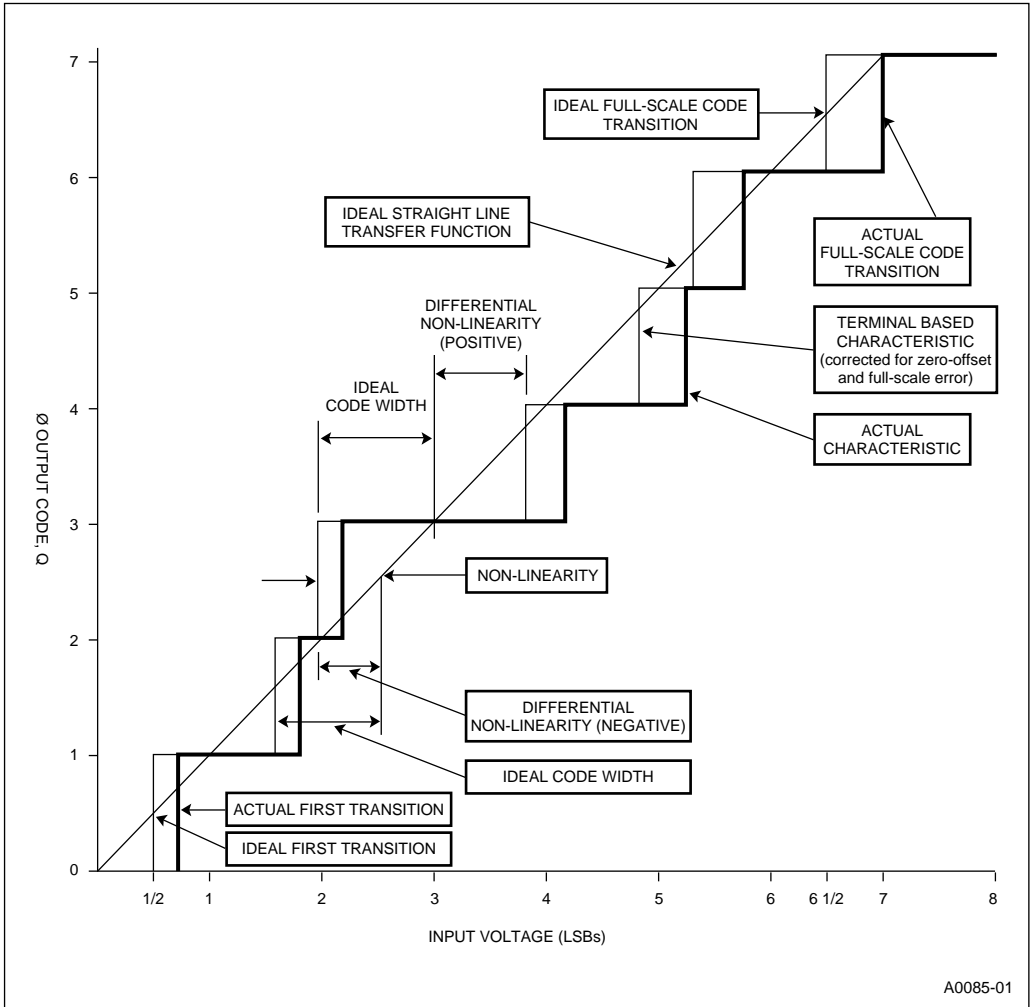


Figure 11-11. Terminal-based A/D Conversion Characteristic



12

**CAN Serial
Communications
Controller**





CHAPTER 12

CAN SERIAL COMMUNICATIONS CONTROLLER

The 87C196CA has a peripheral not found in the 8XC196Kx and 8XC196Jx controllers — the CAN (controller area network) peripheral. The CAN serial communications controller manages communications between multiple network nodes. This integrated peripheral is similar to Intel’s standalone 82527 CAN serial communications controller. It supports both the standard and the extended message frames specified by CAN 2.0 protocol parts A and B developed by Robert Bosch, GmbH. This chapter describes the integrated CAN controller and explains how to configure it. Consult Appendix B, “Signal Descriptions,” for detailed descriptions of the signals discussed in this chapter.

12.1 CAN FUNCTIONAL OVERVIEW

The integrated CAN controller transfers messages between network nodes according to the CAN protocol. The CAN protocol uses a multiple-master, contention-based bus configuration, which is also called CSMA/CR (carrier sense, multiple access, with collision resolution). Each CAN controller’s input and output pins are connected to a two-line CAN bus through which all communication takes place (Figure 12-1).

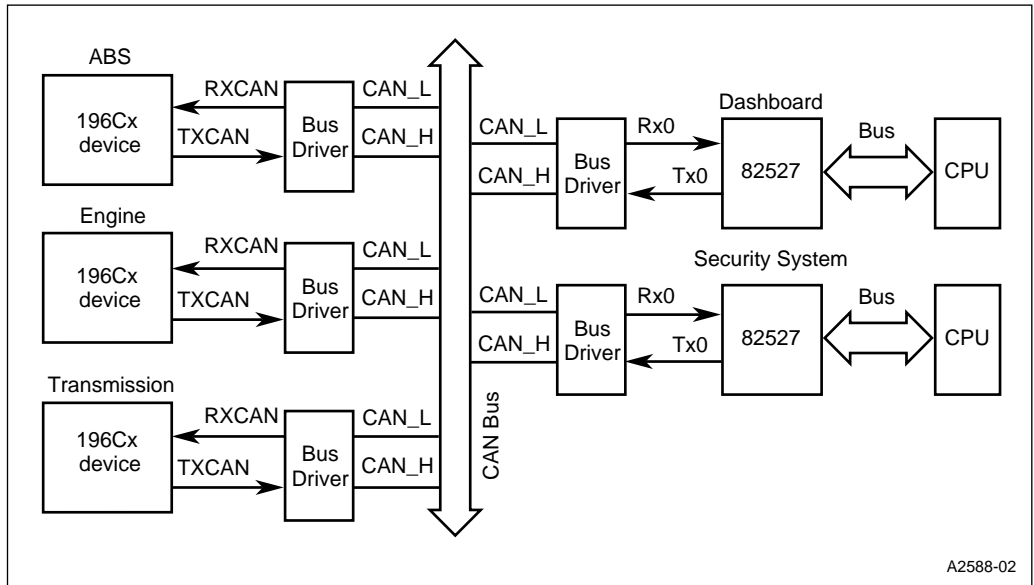


Figure 12-1. A System Using CAN Controllers

This bus configuration reduces point-to-point wiring requirements, making the CAN controller well suited to automotive and factory automation applications. In addition, it relieves the CPU of much of the communications burden while providing a high level of data integrity through error management logic.

The CAN controller (Figure 12-2) has one input pin, one output pin, control and status registers, and error detection and management logic.

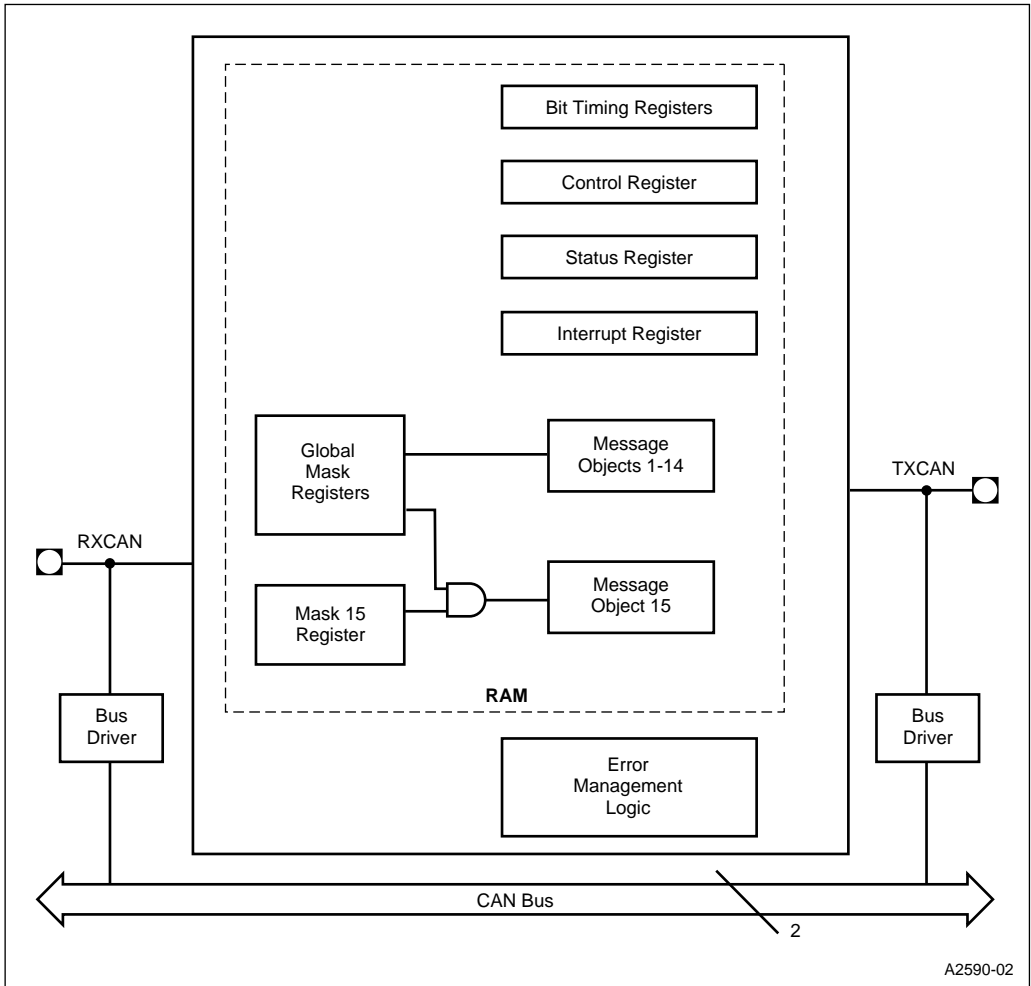


Figure 12-2. CAN Controller Block Diagram

A2590-02

12.2 CAN CONTROLLER SIGNALS AND REGISTERS

Table 12-1 describes the CAN controller's pins, and Table 12-2 describes the control and status registers.

Table 12-1. CAN Controller Signals

Signal	Type	Description
RXCAN	I	Receive This signal carries messages from other nodes on the CAN bus to the CAN controller.
TXCAN	O	Transmit This signal carries messages from the CAN controller to other nodes on the CAN bus.

Table 12-2. Control and Status Registers

Register Mnemonic ††	Register Address ††	Description
CAN_BTME0†	1E3FH	Bit Timing 0 Program this register to define the length of one time quantum and the maximum number of time quanta by which a bit time can be modified for resynchronization.
CAN_BTME1†	1E4FH	Bit Timing 1 Program this register to define the sample time and mode.
CAN_CON†	1E00H	Control Program this register to prevent transfers to and from the CAN bus, to enable and disable CAN interrupts, and to control write access to the bit timing registers.
CAN_EGMSK	1E08H, 1E09H, 1E0AH, 1E0BH	Extended Global Mask Program this register to mask ("don't care") specific message identifier bits for extended message objects.
CAN_INT	1E5FH	CAN Interrupt Pending This read-only register indicates the source of the highest-priority pending interrupt.
CAN_MSGxCFG	1Ey6H	Message Object x Configuration Program this register to specify a message object's data length, transfer direction, and identifier type.
CAN_MSGxCON0	1Ey0H	Message Object x Control 0 Program this register to enable or disable the message object's successful transmission (TX) and reception (RX) interrupts. Read this register to determine whether a message object is ready to transmit and whether an interrupt is pending.

†The CCE bit in CAN_CON must be set to enable write access to the bit timing registers.

††In register names, x = 1–15; in addresses, y = 1–F.

Table 12-2. Control and Status Registers (Continued)

Register Mnemonic ††	Register Address ††	Description
CAN_MSGxCON1	1Ey1H	Message Object x Control 1 Program this register to indicate that a message is ready to transmit or to initiate a transmission. Read this register to determine whether the message object contains new data, whether a message has been overwritten, whether software is updating the message, and whether a transfer is pending.
CAN_MSGxDATA0 CAN_MSGxDATA1 CAN_MSGxDATA2 CAN_MSGxDATA3 CAN_MSGxDATA4 CAN_MSGxDATA5 CAN_MSGxDATA6 CAN_MSGxDATA7	1Ey7H 1Ey8H 1Ey9H 1EyAH 1EyBH 1EyCH 1EyDH 1EyEH	Message Object x Data 0–7 The data registers contain data to be transmitted or data received. Do not use unused data bytes as scratch-pad memory; the CAN controller writes random values to these registers during operation.
CAN_MSGxID0 CAN_MSGxID1 CAN_MSGxID2 CAN_MSGxID3	1Ey2H 1Ey3H 1Ey4H 1Ey5H	Message Object x Identification 0–3 Write the message object's ID to this register. (This register is the same as the arbitration register of the 82527.)
CAN_MSK15	1E0CH, 1E0DH, 1E0EH, 1E0FH	Message 15 Mask Program this register to mask ("don't care") specific message identifier bits for message 15 in addition to those bits masked by a global mask. The message 15 mask is ANDed with the standard or extended global mask, so any "don't care" bits defined in a global mask are also "don't care" bits for message 15.
CAN_SGMSK	1E06H, 1E07H	Standard Global Mask Program this register to mask ("don't care") specific message identifier bits for standard message objects.
CAN_STAT	1E01H	Status This register reflects the current status of the CAN controller.
INT_MASK1	0013H	Interrupt Mask 1 The CAN bit in this register enables and disables the CAN interrupt request.
INT_PEND1	0012H	Interrupt Pending 1 The CAN bit in this register, when set, indicates a pending CAN interrupt request.

†The CCE bit in CAN_CON must be set to enable write access to the bit timing registers.

††In register names, x = 1–15; in addresses, y = 1–F.

12.3 CAN CONTROLLER OPERATION

This section describes the address map, message objects, message frames (which contain message objects), error detection and management logic, and bit timing for CAN transmissions and receptions.

12.3.1 Address Map

The CAN controller has 256 bytes of RAM, containing 15 message objects and control and status registers at fixed addresses. Each message object occupies 15 consecutive bytes beginning at a base address that is a multiple of 16 bytes. The byte above each message object is reserved (indicated by a dash (—)) or occupied by a control register. The lowest 16 bytes of RAM contain the remaining control and status registers (Table 12-3). This 256-byte section of memory can be *windowed* for register-direct access (see “Windowing” on page 4-13).

Table 12-3. CAN Controller Address Map

Hex Address	Description	Hex Address	Description
1EFF	—	1E6F	—
1EF0–1EFE	Message Object 15	1E60–1E6E	Message Object 6
1EEF	—	1E5F	Interrupt Register
1EE0–1EEE	Message Object 14	1E50–1E5E	Message Object 5
1EDF	—	1E4F	Bit Timing Register 1 [†]
1ED0–1EDE	Message Object 13	1E40–1E4E	Message Object 4
1ECF	—	1E3F	Bit Timing Register 0 [†]
1EC0–1ECE	Message Object 12	1E30–1E3E	Message Object 3
1EBF	—	1E2F	—
1EB0–1EBE	Message Object 11	1E20–1E2E	Message Object 2
1EAF	—	1E1F	—
1EA0–1EAE	Message Object 10	1E10–1E1E	Message Object 1
1E9F	—	1E0C–1E0F	Message 15 Mask Register
1E90–1E9E	Message Object 9	1E08–1E0B	Extended Global Mask Register
1E8F	—	1E06–1E07	Standard Global Mask Register
1E80–1E8E	Message Object 8	1E02–1E05	—
1E7F	—	1E01	Status Register
1E70–1E7E	Message Object 7	1E00	Control Register [†]

[†]The control register’s CCE bit must be set to enable write access to the bit timing registers.

12.3.2 Message Objects

The CAN controller includes 15 message objects, each of which occupies 15 bytes of RAM (Table 12-4). Message objects 1–14 can be configured to either transmit or receive messages, while message object 15 can only receive messages. Message objects 1–14 have only a single buffer, so if a second message is received before the CPU reads the first, the first message is overwritten. Message object 15 has two alternating buffers, so it can receive a second message while the first is being processed. However, if a third message is received while the CPU is reading the first, the second message is overwritten.

Table 12-4. Message Object Structure

Hex Address [†]	Contents
1Ex7–1ExE	Data Bytes 0–7
1Ex6	Message Configuration
1Ex2–1Ex5	Message Identifier 0–3
1Ex0–1Ex1	Message Control 0–1

[†] x = message object number, in hexadecimal

12.3.2.1 Receive and Transmit Priorities

The lowest-numbered message object always has the highest priority, regardless of the message identifier. When multiple messages are ready to transmit, the CAN controller transmits the message from the lowest-numbered message object first. When multiple message objects are capable of receiving the same message, the lowest-numbered message object receives it. For example, if all identifier bits are masked, message object 1 receives all messages.

12.3.2.2 Message Acceptance Filtering

The mask registers provide a method for developing an acceptance filtering strategy for a specific system. Software can program the mask registers to require an exact match on specific identifier bits while masking (“don’t care”) the remaining bits. Without a masking strategy, a message object could accept only those messages with an identical message identifier. With a masking strategy in place, a message object can accept messages whose identifiers are not identical.

The CAN controller filters messages by comparing an incoming message’s identifier with that of an enabled internal message object. The standard global mask register applies to messages with standard (11-bit) identifiers, while the extended global mask register applies to those with extended (29-bit) identifiers. The CAN controller applies the appropriate global mask to each incoming message identifier and checks for an acceptance match in message objects 1–14. If no match exists, it then applies the message 15 mask and checks for a match on message object 15. The message 15 mask is ANDed with the global mask, so any bit that is masked by the global mask is automatically masked for message 15.

The CAN controller accepts an incoming data message if the message’s identifier matches that of any enabled receive message object. It accepts an incoming remote message (request for data transmission) if the message’s identifier matches that of any enabled transmit message object. The remote message’s identifier is stored in the transmit message object, overwriting any masked bits. Table 12-5 shows an example.

Table 12-5. Effect of Masking on Message Identifiers

Transmit message object ID	1 1 0 0 0 0 0 0 0 0
Mask (0 = don't care; 1 = must match)	0 0 0 0 0 0 0 0 0 1 1
Received remote message object ID	0 0 1 1 1 1 1 1 1 0 0
Resulting message object ID	0 0 1 1 1 1 1 1 1 0 0

12.3.3 Message Frames

A message object is contained within a *message frame* that adds control and error-detection bits to the content of the message object. The frame for an extended message differs slightly from that for a standard message, but they contain similar information. A *data frame* contains a message object with data to be transmitted; a *remote frame* is a request for another node to transmit a data frame, so it contains no data.

Figure 12-3 illustrates standard and extended message frames. Table 12-6 and Table 12-7 describe their contents and summarize the minimum message lengths. Actual message lengths may differ because the CAN controller adds bits during transmission (see “Error Detection and Management Logic” on page 12-9). After each message frame, an intermission field consisting of three recessive (1) bits separates messages. This intermission may be followed by a bus idle time.

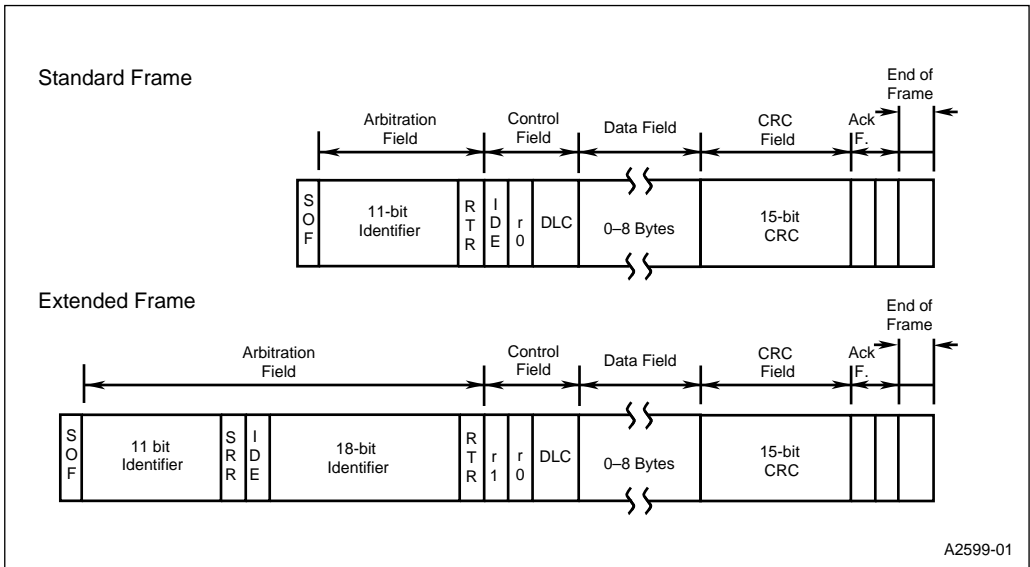


Figure 12-3. CAN Message Frames

Table 12-6. Standard Message Frame

Field	Description	Bit Count
SOF	Start-of-frame. A dominant (0) bit marks the beginning of a message frame.	1
Arbitration	11-bit message identifier.	12
	RTR. Remote transmission request. Dominant (0) for data frames; recessive (1) for remote frames.	
Control	IDE. Identifier extension bit; always dominant (0).	6
	r0. Reserved bit; always dominant (0).	
	DLC. Data length code. A 4-bit code that indicates the number of data bytes (0–8).	
Data	Data. 1 to 8 bytes for data frames; 0 bytes for remote frames.	0–64
CRC	CRC code. A 15-bit CRC code plus a recessive (1) delimiter bit.	16
Ack	Acknowledgment. A dominant (0) bit sent by nodes receiving the frame plus a recessive (1) delimiter bit.	2
End of frame	7 recessive (1) bits mark the end of a frame.	7
Minimum standard message frame length (bits)		44–108

Table 12-7. Extended Message Frame

Field	Description	Bit Count
SOF	Start-of-frame. A dominant (0) bit marks the beginning of a message frame.	1
Arbitration	11 bits of the 29-bit message identifier	32
	SRR. Substitute remote transmission request; always recessive (1)	
	IDE. Identifier extension bit; always recessive (1)	
	18 bits of the 29-bit message identifier	
	RTR. Remote transmission request; always recessive (1)	
Control	r0. Reserved bit; always dominant (0)	6
	r1. Reserved bit; always dominant (0)	
	DLC. Data length code. A 4-bit code that indicates the number of data bytes (0–8)	
Data	Data. 1 to 8 bytes for data frames; 0 bytes for remote frames	0–64
CRC	CRC code. A 15-bit CRC code plus a recessive (1) delimiter bit	16
Ack	Acknowledgment. A dominant (0) bit sent by nodes receiving the frame plus a recessive (1) delimiter bit.	2
End of frame	7 recessive (1) bits mark the end of a frame.	7
Minimum extended message frame length (bits)		64–128

12.3.4 Error Detection and Management Logic

The CAN controller has several error detection mechanisms, including cyclical redundancy checking (CRC) and bit coding rules (stuffing and destuffing). The CAN controller generates a CRC code for transmitted messages and checks the CRC code of incoming messages. The CRC polynomial has been optimized for control applications with short messages.

After five consecutive bits of equal value are transmitted, a bit with the opposite polarity is added to the bit stream. This bit is called a *stuff bit*; by adding a transition, a stuff bit aids in synchronization. All message fields are stuffed except the CRC delimiter, the acknowledgment field, and the end-of-frame field.

Receiving nodes reject data from any message that is corrupted during transmission and send an error message via the CAN bus. Transmitting nodes monitor the CAN bus for error messages and automatically repeat a transmission if an error occurs. The following error types are detected:

- stuff error — more than 5 equal bits in a sequence have occurred in a part of a received message where this is not allowed
- form error — the fixed-format part of a received frame has the wrong format (for example, a reserved bit has the wrong value)
- acknowledgment error — this device transmitted a message, but it was not acknowledged by another node on the CAN bus. (The transmit error counter stops incrementing after 128 acknowledgment errors, so this error type does not cause a bus-off state.)
- bit 1 error — the CAN controller tried to send a recessive (logic 1) bit as part of a transmitted message (with the exception of the arbitration field), but the monitored CAN bus value was dominant (logic 0)
- bit 0 error — the CAN controller tried to send a dominant (logic 0) bit as part of a transmitted message (with the exception of the arbitration field), but the monitored CAN bus value was recessive (logic 1)
- CRC error — the CRC checksum received for an incoming message does not match the CRC value that the CAN controller calculated for the received data

The CAN status register indicates the type of the first transmission error that occurred on the CAN bus and whether an abnormal number of errors have occurred. Two counters (a receive error counter and a transmit error counter) track the number of errors. The status register's warning bit is set when the receive or transmit error counter reaches 96; the bus-off bit is set when either counter reaches 256. If this occurs, the CAN controller isolates itself from the CAN bus (floats the TX pin). Software must clear the INIT bit in the control register (Figure 12-6 on page 12-13) to begin a bus-off recovery sequence.

12.3.5 Bit Timing

A message object consists of a series of bits transmitted in consecutive bit times. The CAN protocol specifies a bit time composed of four separate, nonoverlapping time segments: a synchronization delay segment, a propagation delay segment, and two phase delay segments (Figure 12-4 and Table 12-8). The CAN controller implements a bit time as three segments, combining PROP_SEG and PHASE_SEG1 into t_{TSEG1} (Figure 12-5 and Table 12-9). This implementation is identical to that of the 82527 CAN peripheral.

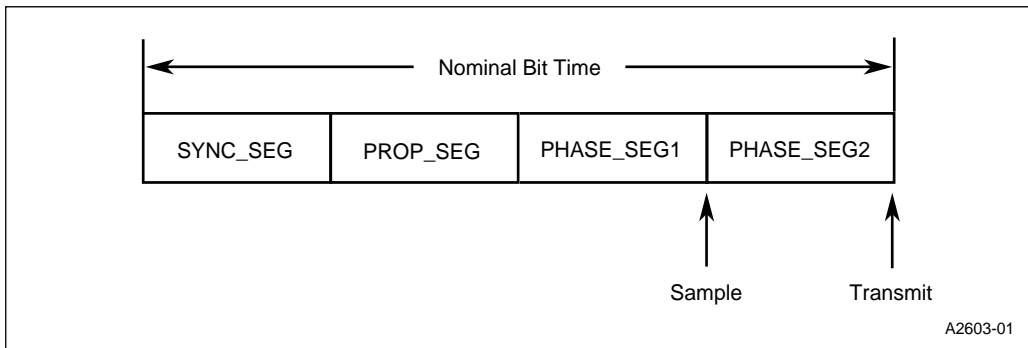


Figure 12-4. A Bit Time as Specified by the CAN Protocol

Table 12-8. CAN Protocol Bit Time Segments

Symbol	Definition
SYNC_SEG	The synchronization delay segment allows for synchronization of the various nodes on the bus. An edge is expected to lie within this segment.
PROP_SEG	The propagation delay segment compensates for the physical delay times within the network. It is twice the sum of the signal's propagation time on the bus line, the input comparator delay, and the output driver delay. The factor of two accounts for the requirement that all nodes monitor all bus transmissions for errors.
PHASE_SEG1	This segment compensates for edge phase errors. It can be lengthened or shortened by resynchronization.
PHASE_SEG2	This segment compensates for edge phase errors. It can be lengthened or shortened by resynchronization.

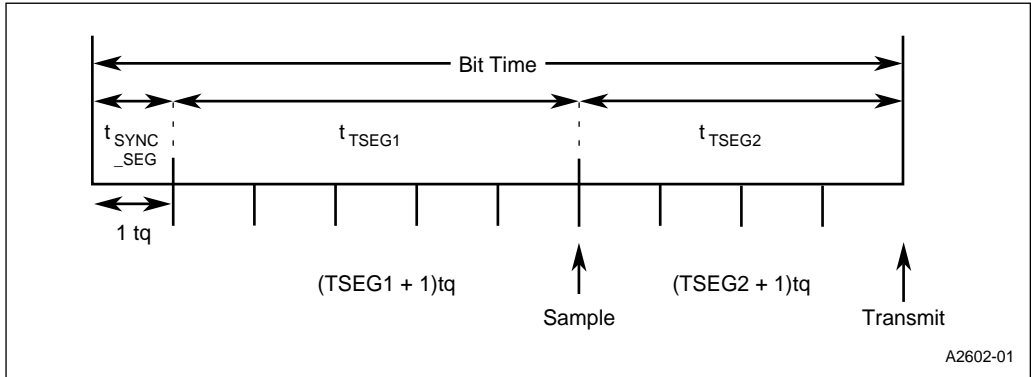


Figure 12-5. A Bit Time as Implemented in the CAN Controller

Table 12-9. CAN Controller Bit Time Segments

Symbol	Definition
$t_{\text{SYNC_SEG}}$	This time segment is equivalent to SYNC_SEG in the CAN protocol. Its length is one time quantum.
t_{TSEG1}	<p>This time segment is equivalent to the sum of PROP_SEG and PHASE_SEG1 in the CAN protocol. Its length is specified by the TSEG1 field in bit timing register 1. To allow for resynchronization, the sample point can be moved (t_{TSEG1} or t_{TSEG2} can be shortened and the other lengthened) by 1 to 4 time quanta, depending on the programmed value of the SJW field in bit timing register 0.</p> <p>The CAN controller samples the bus once or three times, depending on the value of the sampling mode (SPL) bit in bit timing register 0. In three-sample mode, the hardware lengthens t_{TSEG1} by 2 time quanta to allow time for the additional two bus samples. In this case, the “sample point” shown in Figure 12-5 is the time of the third sample; the first and second samples occur 2 and 1 time quanta earlier, respectively.</p>
t_{TSEG2}	This time segment is equivalent to PHASE_SEG2 in the CAN protocol. Its length is specified by the TSEG2 field in bit timing register 1. To allow for resynchronization, the sample point can be moved (t_{TSEG1} or t_{TSEG2} can be shortened and the other lengthened) by 1 to 4 time quanta, depending on the programmed value of the SJW field in bit timing register 0.

12.3.5.1 Bit Timing Equations

The bit timing equations of the integrated CAN controller are equivalent to those for the 82527 CAN peripheral with the DSC bit in the CPU interface register set (system clock divided by two). The following equations show the timing calculations for the integrated CAN controller and the 82527 CAN peripheral, respectively.

$$\text{CAN Controller CAN bus frequency} = \frac{F_{\text{osc}}}{2 \times (\text{BRP} + 1) \times (3 + \text{TSEG1} + \text{TSEG2})}$$

$$\text{82527 CAN bus frequency} = \frac{F_{\text{osc}}}{(\text{DSC} + 1) \times (\text{BRP} + 1) \times (3 + \text{TSEG1} + \text{TSEG2})}$$

where:

F_{osc} = the input clock frequency on the XTAL1 pin, in MHz

BRP = the value of the BRP bit in bit timing register 0

TSEG1 = the value of the TSEG1 field in bit timing register 0

TSEG2 = the value of the TSEG1 field in bit timing register 1

Table 12-10 defines the bit timing relationships of the CAN controller.

Table 12-10. Bit Timing Relationships

Timing Parameter	Definition
t_{BITTIME}	$t_{\text{SYNC_SEG}} + t_{\text{TSEG1}} + t_{\text{TSEG2}}$
t_{XTAL1}	input clock period on XTAL1 (50 ns at 20 MHz operation)
t_{q}	$2t_{\text{XTAL1}} \times (\text{BRP} + 1)$, where BRP is a field in bit timing register 0 (valid values are 0–63)
$t_{\text{SYNC_SEG}}$	$1t_{\text{q}}$
t_{TSEG1}	$(\text{TSEG1} + 1) \times t_{\text{q}}$, where TSEG1 is a field in bit timing register 1 (valid values are 2–15)
t_{TSEG2}	$(\text{TSEG2} + 1) \times t_{\text{q}}$, where TSEG2 is a field in bit timing register 1 (valid values are 1–7)
t_{SJW}	$(\text{SJW} + 1) \times t_{\text{q}}$, where SJW is a field in bit timing register 0 (valid values are 0–3)
t_{PROP}	The portion of t_{TSEG1} that is equivalent to PROP_SEG as defined by the CAN protocol. Twice the maximum sum of the physical bus delay, input comparator delay, and output driver delay, rounded up to the nearest multiple of t_{q} .

12.4 CONFIGURING THE CAN CONTROLLER

This section explains how to configure the CAN controller. Several registers combine to control the configuration: the CAN control register, the two bit timing registers, and the three mask registers.

12.4.1 Programming the CAN Control (CAN_CON) Register

The CAN control register (Figure 12-6) controls write access to the bit timing registers, enables and disables global interrupt sources (error, status change, and individual message object), and controls access to the CAN bus.

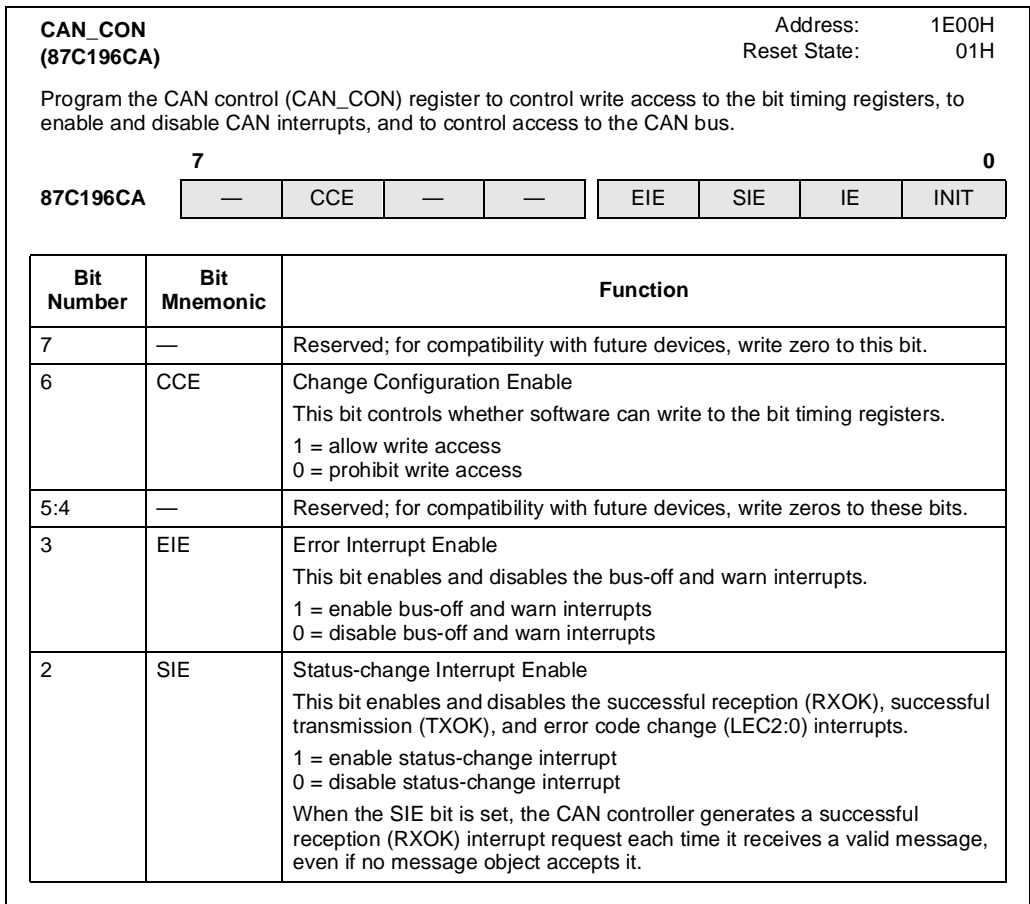


Figure 12-6. CAN Control (CAN_CON) Register

CAN_CON (Continued)
(87C196CA)

Address: 1E00H
Reset State: 01H

Program the CAN control (CAN_CON) register to control write access to the bit timing registers, to enable and disable CAN interrupts, and to control access to the CAN bus.



Bit Number	Bit Mnemonic	Function
1	IE	<p>Interrupt Enable</p> <p>This bit globally enables and disables interrupts (error, status-change, and message object transmit and receive interrupts).</p> <p>1 = enable interrupts 0 = disable interrupts</p> <p>When the IE bit is set, an interrupt is generated only if the corresponding interrupt source's enable bit (EIE or SIE in CAN_CON; TXIE or RXIE in CAN_MSGx_CON0) is also set. If the IE bit is clear, an interrupt request updates the CAN interrupt pending register, but does not generate an interrupt.</p>
0	INIT	<p>Software Initialization Enable</p> <p>Setting this bit isolates the CAN bus from the system. (If a transfer is in progress, it completes, but no additional transfers are allowed.)</p> <p>1 = software initialization enabled 0 = software initialization disabled</p> <p>A hardware reset sets this bit, enabling you to configure the RAM without allowing any CAN bus activity. After a hardware reset or software initialization, clearing this bit completes the initialization. The CAN peripheral waits for a bus idle state (11 consecutive recessive bits) before participating in bus activities.</p> <p>Software can set this bit to stop all receptions and transmissions on the CAN bus. (To prevent transmission of a specific message object while its contents are being updated, set the CPUUPD bit in the individual message object's control register 1. See "Configuring Message Objects" on page 12-20.)</p> <p>Entering powerdown mode stops an in-progress CAN transmission immediately. To avoid stopping a CAN transmission while it is sending a dominant bit on the CAN bus, set the INIT bit before executing the IDLPD instruction.</p> <p>The CAN peripheral also sets this bit to isolate the CAN bus when an error counter reaches 256. This isolation is called a <i>bus-off</i> condition. After a bus-off condition, clearing this bit initiates a bus-off recovery sequence, which clears the error counters. The CAN peripheral waits for 128 bus idle states (128 packets of 11 consecutive recessive bits), then resumes normal operation. (See "Bus-off State" on page 12-41.)</p>

Figure 12-6. CAN Control (CAN_CON) Register (Continued)

12.4.2 Programming the Bit Timing 0 (CAN_BTIME0) Register

Bit timing register 0 (Figure 12-7) defines the length of one time quantum and the maximum amount by which the sample point can be moved (t_{TSEG1} or t_{TSEG2} can be shortened and the other lengthened) to compensate for resynchronization.

CAN_BTIME0 (87C196CA)	Address: 1E3FH Reset State: Unchanged								
<p>Program the CAN bit timing 0 (CAN_BTIME0) register to define the length of one time quantum and the maximum number of time quanta by which a bit time can be modified for resynchronization.</p>									
7	0								
87C196CA	<table border="1" style="width: 100%; border-collapse: collapse;"> <tr> <td style="width: 12.5%; text-align: center;">SJW1</td> <td style="width: 12.5%; text-align: center;">SJW0</td> <td style="width: 12.5%; text-align: center;">BRP5</td> <td style="width: 12.5%; text-align: center;">BRP4</td> <td style="width: 12.5%; text-align: center;">BRP3</td> <td style="width: 12.5%; text-align: center;">BRP2</td> <td style="width: 12.5%; text-align: center;">BRP1</td> <td style="width: 12.5%; text-align: center;">BRP0</td> </tr> </table>	SJW1	SJW0	BRP5	BRP4	BRP3	BRP2	BRP1	BRP0
SJW1	SJW0	BRP5	BRP4	BRP3	BRP2	BRP1	BRP0		
Bit Number	Bit Mnemonic	Function							
7:6	SJW1:0	<p>Synchronization Jump Width</p> <p>This field defines the maximum number of time quanta by which a resynchronization can modify t_{TSEG1} and t_{TSEG2}. Valid programmed values are 0–3. The hardware adds 1 to the programmed value, so a “1” value causes the CAN peripheral to add or subtract 2 time quanta, for example. This adjustment has no effect on the total bit time; if t_{TSEG1} is increased by 2 tq, t_{TSEG2} is decreased by 2 tq, and vice versa.</p>							
5:0	BRP5:0	<p>Baud-rate Prescaler</p> <p>This field defines the length of one time quantum (tq), using the following formula, where t_{XTAL1} is the input clock period on XTAL1. Valid programmed values are 0–63.</p> $tq = 2t_{XTAL1} \times (BRP + 1)$ <p>For example, at 20 MHz operation, the system clock period is 50 ns. Writing 3 to BRP achieves a time quanta of 400 ns; writing 1 to BRP achieves a time quanta of 200 ns.</p> $tq = (2 \times 50) \times (3 + 1) = 400 \text{ ns}$ $tq = (2 \times 50) \times (1 + 1) = 200 \text{ ns}$							
<p>NOTE: The CCE bit (CAN_CON.6) must be set to enable write access to this register.</p>									

Figure 12-7. CAN Bit Timing 0 (CAN_BTIME0) Register

12.4.3 Programming the Bit Timing 1 (CAN_BTTIME1) Register

Bit timing register 1 (Figure 12-8) controls the time at which the bus is sampled and the number of samples taken. In single-sample mode, the bus is sampled once and the value of that sample is considered valid. In three-sample mode, the bus is sampled three times and the value of the majority of those samples is considered valid. Single-sample mode may achieve a faster transmission rate, but it is more susceptible to errors caused by noise on the CAN bus. Three-sample mode is less susceptible to noise-related errors, but it may be slower. If you specify three-sample mode, the hardware adds two time quanta to the TSEG1 value to allow time for two additional samples during t_{TSEG1} .

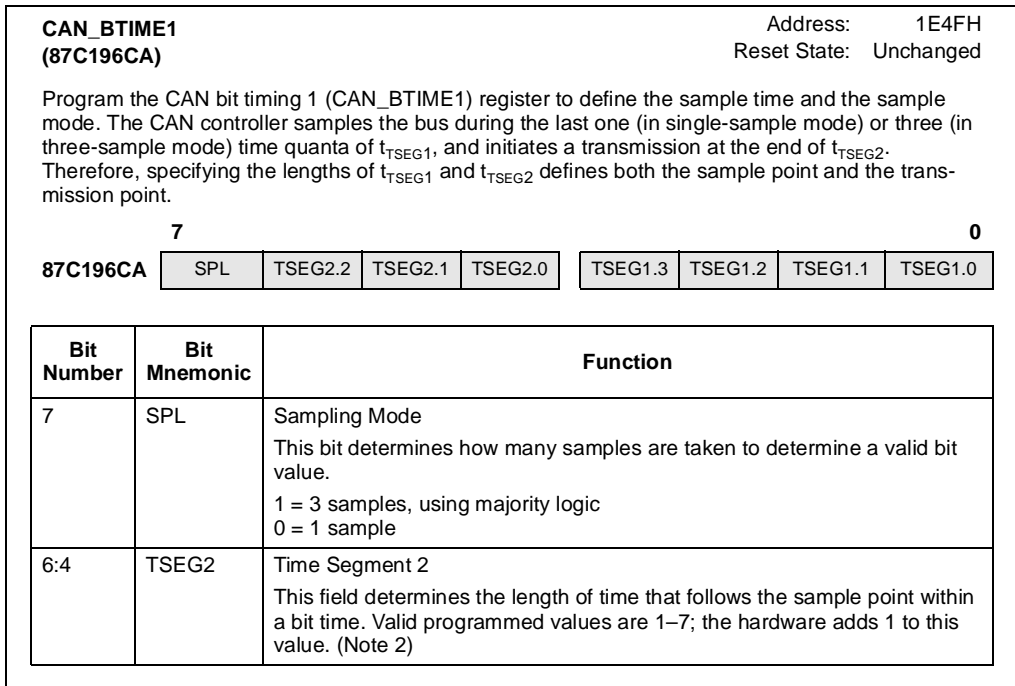


Figure 12-8. CAN Bit Timing 1 (CAN_BTTIME1) Register

CAN_BTIME1 (87C196CA) Address: 1E4FH
Reset State: Unchanged

Program the CAN bit timing 1 (CAN_BTIME1) register to define the sample time and the sample mode. The CAN controller samples the bus during the last one (in single-sample mode) or three (in three-sample mode) time quanta of t_{TSEG1} , and initiates a transmission at the end of t_{TSEG2} . Therefore, specifying the lengths of t_{TSEG1} and t_{TSEG2} defines both the sample point and the transmission point.

7 0

87C196CA	SPL	TSEG2.2	TSEG2.1	TSEG2.0	TSEG1.3	TSEG1.2	TSEG1.1	TSEG1.0
-----------------	-----	---------	---------	---------	---------	---------	---------	---------

Bit Number	Bit Mnemonic	Function
3:0	TSEG1	Time Segment 1 This field defines the length of time that precedes the sample point within a bit time. Valid programmed values are 2–15; the hardware adds 1 to this value. In three-sample mode, the hardware adds 2 time quanta to allow time for the two additional samples. (Note 2)

NOTES:

- The CCE bit (CAN_CON.6) must be set to enable write access to this register.
- For correct operation according to the CAN protocol, the total bit time must be at least 8 time quanta, so the sum of the programmed values of TSEG1 and TSEG2 must be at least 5. (The total bit time is the sum of $t_{SYNC_SEG} + t_{TSEG1} + t_{TSEG2}$. The length of t_{SYNC_SEG} is 1 time quanta, and the hardware adds 1 to both TSEG1 and TSEG2. Therefore, if $TSEG1 + TSEG2 = 5$, the total bit length will be equal to 8 (1+5+1+1)). Table 12-11 lists additional conditions that must be met to maintain synchronization.

Figure 12-8. CAN Bit Timing 1 (CAN_BTIME1) Register (Continued)

Table 12-11. Bit Timing Requirements for Synchronization

Bit Time Segment	Requirement	Comments
t_{TSEG1}	$\geq 3tq$	minimum tolerance with 1tq propagation delay allowance
	$\geq t_{S\text{JW}} + t_{\text{PROP}}$	for single-sample mode
	$\geq t_{S\text{JW}} + t_{\text{PROP}} + 2tq$	for three-sample mode
t_{TSEG2}	$\geq 2tq$	minimum tolerance
	$\geq t_{S\text{JW}}$	if $t_{S\text{JW}} > t_{TSEG2}$, sampling may occur after the bit time

12.4.4 Programming a Message Acceptance Filter

The mask registers provide a method for developing an acceptance filtering strategy. Without a filtering strategy, a message object could accept an incoming message only if their identifiers were identical. The mask registers allow a message object to ignore one or more bits of incoming message identifiers, so it can accept a range of message identifiers.

The standard global mask register (Figure 12-9) applies to messages with standard (11-bit) message identifiers, while the extended global mask register (Figure 12-10) applies to messages with extended (29-bit) identifiers. The message 15 mask register (Figure 12-11) provides an additional filter for message object 15, to allow it to accept a greater range of message identifiers than message objects 1–14 can. Clear a mask bit to accept either a zero or a one in that position.

The CAN controller applies the appropriate global mask to each incoming message identifier and checks for an acceptance match on message objects 1–14. If no match exists, it then applies the message 15 mask and checks for a match on message object 15.

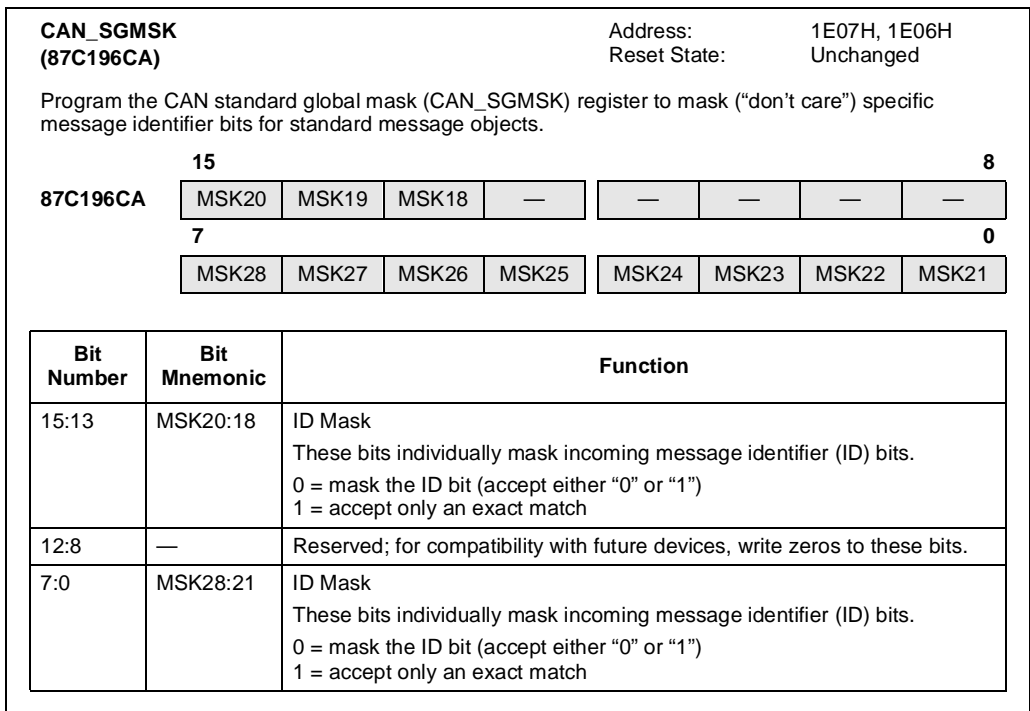


Figure 12-9. CAN Standard Global Mask (CAN_SGMSK) Register

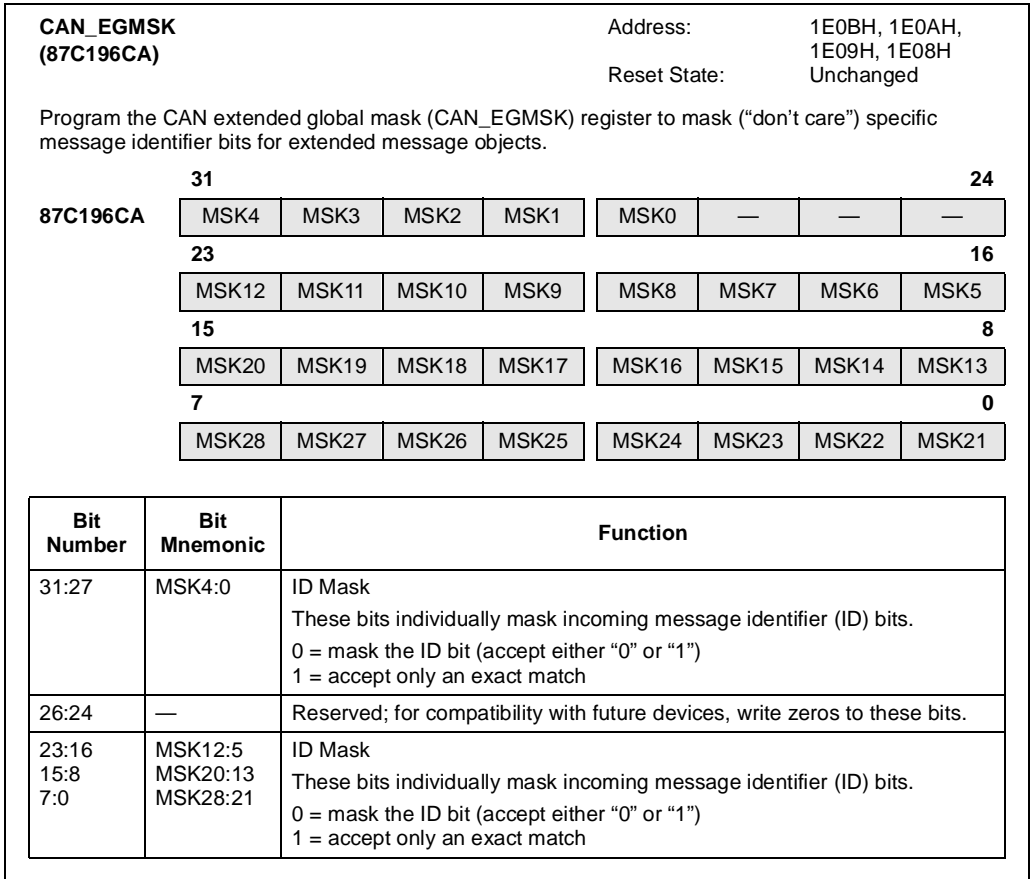


Figure 12-10. CAN Extended Global Mask (CAN_EGMSK) Register

<p>CAN_MSK15 (87C196CA)</p> <p>Program the CAN message 15 mask (CAN_MSK15) register to mask (“don't care”) specific message identifier bits for message 15 in addition to those bits masked by a global mask (CAN_EGMSK or CAN_SGMSK).</p>	<p>Address: 1E0FH, 1E0EH, 1E0DH, 1E0CH</p> <p>Reset State: Unchanged</p>
--	--

31									24
87C196CA	MSK4	MSK3	MSK2	MSK1	MSK0	—	—	—	
	23								16
	MSK12	MSK11	MSK10	MSK9	MSK8	MSK7	MSK6	MSK5	
	15								8
	MSK20	MSK19	MSK18	MSK17	MSK16	MSK15	MSK14	MSK13	
	7								0
	MSK28	MSK27	MSK26	MSK25	MSK24	MSK23	MSK22	MSK21	

Bit Number	Function	
31:27	MSK4:0	ID Mask These bits individually mask incoming message identifier (ID) bits. 0 = mask the ID bit (accept either “0” or “1”) 1 = accept only an exact match
26:24	—	Reserved. These bits are undefined; for compatibility with future devices, do not modify these bits.
23:16 15:8 7:0	MSK12:5 MSK20:13 MSK28:21	ID Mask These bits individually mask incoming message identifier (ID) bits. 0 = mask the ID bit (accept either “0” or “1”) 1 = accept only an exact match

NOTE: Setting a CAN_MSK15 bit in any position that is cleared in the global mask register has no effect. The message 15 mask is ANDed with the global mask, so any “don't care” bits defined in a global mask are also “don't care” bits for message 15.

Figure 12-11. CAN Message 15 Mask (CAN_MSK15) Register

12.5 CONFIGURING MESSAGE OBJECTS

Each message object consists of a configuration register, a message identifier, control registers, and data registers (from zero to eight bytes of data). This section explains how to configure message objects and determine their status.

12.5.1 Specifying a Message Object's Configuration

Each message object configuration register (Figure 12-12) specifies a message identifier type (standard or extended), transfer direction (transmit or receive), and data length (in bytes).

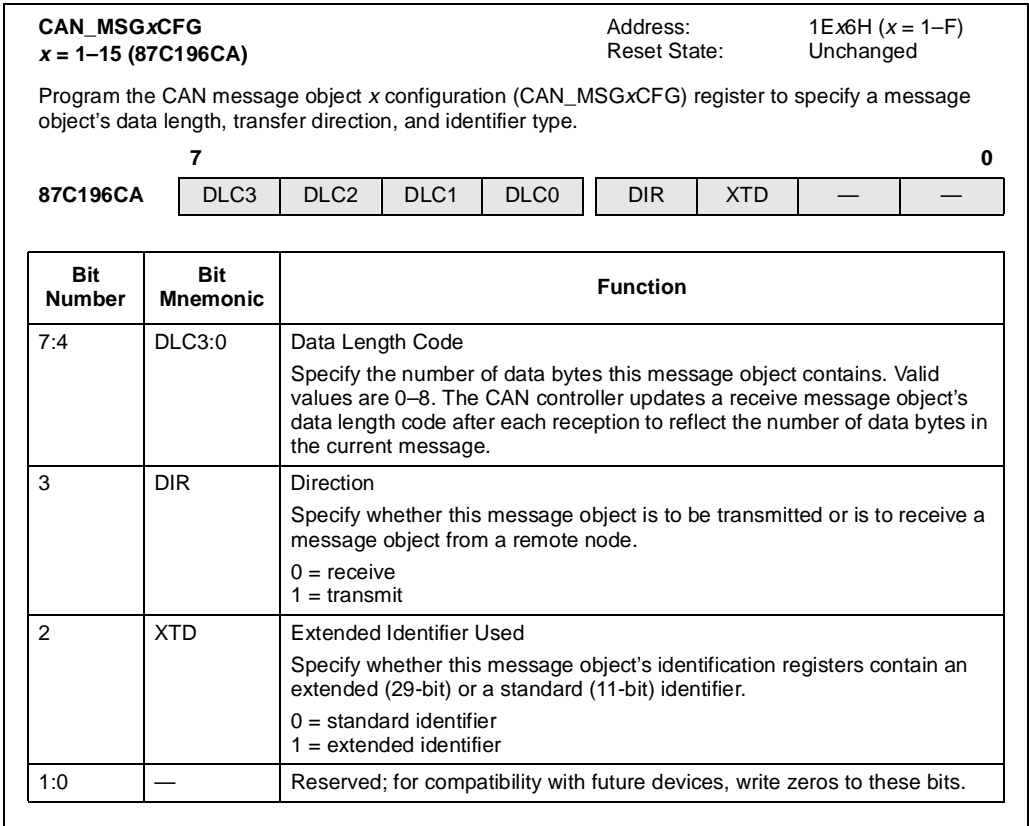


Figure 12-12. CAN Message Object x Configuration (CAN_MSGxCFG) Register

Set the XTD bit for a message object with an extended identifier; clear it for a message with a standard identifier. If you accidentally clear the XTD bit for a message that has an extended identifier, the CAN controller will clear the extended bits in the identification register. If you set the XTD bit for a message object, that message object cannot receive message objects with standard identifiers.

For a transmit message, set the DIR bit and write the number of programmed data bytes (0–8) to the DLC field. For a receive message, clear the DIR bit. The CAN controller stores the data length from the received message in the DLC field.

12.5.2 Programming the Message Object Identifier

For messages with extended identifiers, write the identifier to bits ID28:0. For messages with standard identifiers, write the identifier to bits ID28:18. Software can change the identifier during normal operation without requiring a subsequent device reset. Clear the MSGVAL bit in the corresponding message control register 0 to prevent the CAN controller from accessing the message object while the modification takes place, then set the bit to allow access.

<p>CAN_MSGxID0-3 x = 1-15 (87C196CA)</p>	<p>Address: 1Ex5H, 1Ex4H, 1Ex3H, 1Ex2H (x = 1-F)</p> <p>Reset State: Unchanged</p>								
<p>Write the message object's identifier to the CAN message object x identifier (CAN_MSGxID0-3) register. Software can change the identifier during normal operation. Clear the MSGVAL bit in the corresponding CAN_MSGxCON0 register to prevent the CPU from accessing the message object, change the identifier in CAN_MSGxID0-3, then set the MSGVAL bit to allow access.</p>									
87C196CA	31 24								
CAN_MSGxID3	<table border="1" style="width: 100%; border-collapse: collapse; text-align: center;"> <tr> <td style="width: 25%;">ID4</td> <td style="width: 25%;">ID3</td> <td style="width: 25%;">ID2</td> <td style="width: 25%;">ID1</td> <td style="width: 25%;">ID0</td> <td style="width: 25%;">—</td> <td style="width: 25%;">—</td> <td style="width: 25%;">—</td> </tr> </table>	ID4	ID3	ID2	ID1	ID0	—	—	—
ID4	ID3	ID2	ID1	ID0	—	—	—		
	23 16								
CAN_MSGxID2	<table border="1" style="width: 100%; border-collapse: collapse; text-align: center;"> <tr> <td style="width: 25%;">ID12</td> <td style="width: 25%;">ID11</td> <td style="width: 25%;">ID10</td> <td style="width: 25%;">ID9</td> <td style="width: 25%;">ID8</td> <td style="width: 25%;">ID7</td> <td style="width: 25%;">ID6</td> <td style="width: 25%;">ID5</td> </tr> </table>	ID12	ID11	ID10	ID9	ID8	ID7	ID6	ID5
ID12	ID11	ID10	ID9	ID8	ID7	ID6	ID5		
	15 8								
CAN_MSGxID1	<table border="1" style="width: 100%; border-collapse: collapse; text-align: center;"> <tr> <td style="width: 25%;">ID20</td> <td style="width: 25%;">ID19</td> <td style="width: 25%;">ID18</td> <td style="width: 25%;">ID17</td> <td style="width: 25%;">ID16</td> <td style="width: 25%;">ID15</td> <td style="width: 25%;">ID14</td> <td style="width: 25%;">ID13</td> </tr> </table>	ID20	ID19	ID18	ID17	ID16	ID15	ID14	ID13
ID20	ID19	ID18	ID17	ID16	ID15	ID14	ID13		
	7 0								
CAN_MSGxID0	<table border="1" style="width: 100%; border-collapse: collapse; text-align: center;"> <tr> <td style="width: 25%;">ID28</td> <td style="width: 25%;">ID27</td> <td style="width: 25%;">ID26</td> <td style="width: 25%;">ID25</td> <td style="width: 25%;">ID24</td> <td style="width: 25%;">ID23</td> <td style="width: 25%;">ID22</td> <td style="width: 25%;">ID21</td> </tr> </table>	ID28	ID27	ID26	ID25	ID24	ID23	ID22	ID21
ID28	ID27	ID26	ID25	ID24	ID23	ID22	ID21		

Bit Number	Bit Mnemonic	Function
31:27 23:16 12:8	ID4:0 ID12:5 ID17:13	Message Identifier 17:0 These bits hold the 18 least-significant bits of an extended identifier. If you write an extended identifier to these bits, but specify a standard identifier (XTD = 0) in the corresponding message object's configuration register (CAN_MSGxCFG), the CPU clears these bits (ID17:0).
26:24	—	Reserved; for compatibility with future devices, write zeros to these bits.
15:13 7:0	ID20:18 ID28:21	Message Identifier 28:18 These bits hold either an entire standard identifier or the 11 most-significant bits of an extended identifier.

NOTE: This register is the same as the arbitration register in the standalone 82527 CAN peripheral.

Figure 12-13. CAN Message Object x Identifier (CAN_MSGxID0-3) Register

12.5.3 Programming the Message Object Control Registers

Each message object control register consists of four bit pairs — one bit of each pair is in true form and one is in complement form. This format allows software to set or clear any bit with a single write operation, without affecting the remaining bits. Table 12-12 shows how to interpret the bit-pair values.

Table 12-12. Control Register Bit-pair Interpretation

Access Type	MSB	LSB	Definition
Write	0	0	Not allowed (indeterminate)
	0	1	Clear (0)
	1	0	Set (1)
	1	1	No change
Read	0	1	Clear (0)
	1	0	Set (1)

12.5.3.1 Message Object Control Register 0

Message object control register 0 (Figure 12-14) indicates whether an interrupt is pending, controls whether a successful transmission or reception generates an interrupt, and indicates whether a message object is ready to transmit.

12.5.3.2 Message Object Control Register 1

Message object control register 1 (Figure 12-15) indicates whether the message object contains new data, whether a message has been overwritten, whether the message is being updated, and whether a transmission or reception is pending. Message objects 1–14 have only a single buffer, so if a second message is received before the CPU reads the first, the first message is overwritten. Message object 15 has two alternating buffers, so it can receive a second message while the first is being processed. However, if a third message is received while the CPU is reading the first, the second message is overwritten.

12.5.4 Programming the Message Object Data

Each message object can have from zero to eight bytes of data. For transmit message objects, write the message data to the data registers (Figure 12-16). For receive message objects, the CAN controller stores the received data in these registers. The CAN controller writes random values to any unused data bytes during operation, so you should **not** use unused data bytes as scratch-pad memory.

CAN_MSGxCON0
x = 1–15 (87C196CA)

Address: 1Ex0H (x = 1–F)
 Reset State: Unchanged

Program the CAN message object x control 0 (CAN_MSGxCON0) register to indicate whether the message object is ready to transmit and to control whether a successful transmission or reception generates an interrupt. The least-significant bit-pair indicates whether an interrupt is pending.

This register consists of four bit-pairs — the most-significant bit of each pair is in true form and the least-significant bit is in complement form. This format allows software to set or clear any bit with a single write operation, without affecting the remaining bits.



Bit Number	Bit Mnemonic	Function
7:6	MSGVAL	Message Object Valid Set this bit-pair to indicate that a message object is valid (configured and ready for transmission or reception). bit 7 bit 6 0 1 not ready 1 0 message object is valid The CAN peripheral will access a message object only if this bit-pair indicates that the message is valid. If multiple message objects have the same identifier, only one can be valid at any given time. During initialization, software should clear this bit for any unused message objects. Software can clear this bit if a message is no longer needed or if you need to change a message object's contents or identifier.
5:4	TXIE	Transmit Interrupt Enable Receive message objects do not use this bit-pair. For transmit message objects, set this bit-pair to enable the CAN peripheral to initiate a transmit (TX) interrupt after a successful transmission. You must also set the interrupt enable bit (CAN_CON.1) to enable the interrupt. bit 5 bit 4 0 1 no interrupt 1 0 generate an interrupt

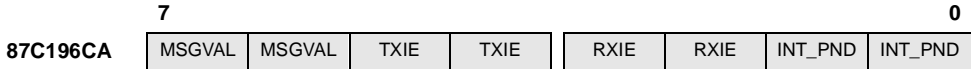
Figure 12-14. CAN Message Object x Control 0 (CAN_MSGxCON0) Register

CAN_MSGxCON0 (Continued)
x = 1–15 (87C196CA)

Address: 1Ex0H (x = 1–F)
 Reset State: Unchanged

Program the CAN message object x control 0 (CAN_MSGxCON0) register to indicate whether the message object is ready to transmit and to control whether a successful transmission or reception generates an interrupt. The least-significant bit-pair indicates whether an interrupt is pending.

This register consists of four bit-pairs — the most-significant bit of each pair is in true form and the least-significant bit is in complement form. This format allows software to set or clear any bit with a single write operation, without affecting the remaining bits.



Bit Number	Bit Mnemonic	Function
3:2	RXIE	Receive Interrupt Enable Transmit message objects do not use this bit-pair. For a receive message object, set this bit-pair to enable this message object to initiate a receive (RX) interrupt after a successful reception. You must also set the interrupt enable bit (CAN_CON.1) to enable the interrupt. bit 3 bit 2 0 1 no interrupt 1 0 generate an interrupt
1:0	INT_PND	Interrupt Pending This bit-pair indicates that this message object has initiated a transmit (TX) or receive (RX) interrupt. Software must clear this bit when it services the interrupt. bit 1 bit 0 0 1 no interrupt 1 0 an interrupt was generated

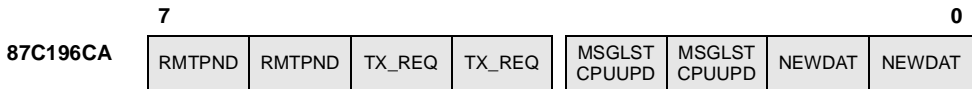
Figure 12-14. CAN Message Object x Control 0 (CAN_MSGxCON0) Register (Continued)

CAN_MSGxCON1
x = 1–15 (87C196CA)

Address: 1E_x1H (x = 1–F)
 Reset State: Unchanged

The CAN message object x control 1 (CAN_MSGxCON1) register indicates whether a message object has been updated, whether a message has been overwritten, whether the CPU is updating the message, and whether a transmission or reception is pending.

This register consists of four bit-pairs — the most-significant bit of each pair is in true form and the least-significant bit is in complement form. This format allows software to set or clear any bit with a single write operation, without affecting the remaining bits.



Bit Number	Bit Mnemonic	Function
7:6	RMTPND	Remote Request Pending Receive message objects do not use this bit-pair. The CAN controller sets this bit-pair to indicate that a remote frame has requested the transmission of a transmit message object. If the CPUUPD bit-pair is clear, the CAN controller transmits the message object, then clears RMTPND. Setting RMTPND does not cause a transmission; it only indicates that a transmission is pending. bit 7 bit 6 0 1 no pending request 1 0 a remote request is pending
5:4	TX_REQ	Transmission Request Set this bit-pair to cause a receive message object to transmit a remote frame (a request for transmission) or to cause a transmit object to transmit a data frame. Read this bit-pair to determine whether a transmission is in progress. bit 5 bit 4 0 1 no pending request; no transmission in progress 1 0 transmission request; transmission in progress

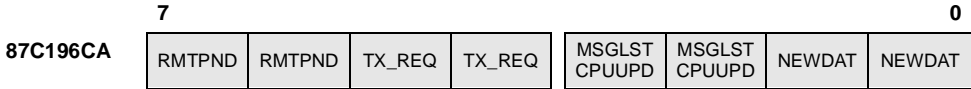
Figure 12-15. CAN Message Object x Control 1 (CAN_MSGxCON1) Register

CAN_MSGxCON1 (Continued)
x = 1–15 (87C196CA)

Address: 1E_x1H (x = 1–F)
 Reset State: Unchanged

The CAN message object x control 1 (CAN_MSGxCON1) register indicates whether a message object has been updated, whether a message has been overwritten, whether the CPU is updating the message, and whether a transmission or reception is pending.

This register consists of four bit-pairs — the most-significant bit of each pair is in true form and the least-significant bit is in complement form. This format allows software to set or clear any bit with a single write operation, without affecting the remaining bits.



Bit Number	Bit Mnemonic	Function												
3:2	MSGLST or CPUUPD	<p>Message Lost (receive)</p> <p>For a receive message object, the CAN controller sets this bit-pair to indicate that it stored a new message while the NEWDAT bit-pair was still set, overwriting the previous message.</p> <p>bit 3 bit 2</p> <table style="margin-left: 20px;"> <tr><td>0</td><td>1</td><td>no overwrite occurred</td></tr> <tr><td>1</td><td>0</td><td>a message was lost (overwritten)</td></tr> </table> <p>CPU Updating (transmit)</p> <p>For a transmit message object, software should set this bit-pair to indicate that it is in the process of updating the message contents. This prevents a remote frame from triggering a transmission that would contain invalid data.</p> <p>bit 3 bit 2</p> <table style="margin-left: 20px;"> <tr><td>0</td><td>1</td><td>the message is valid</td></tr> <tr><td>1</td><td>0</td><td>software is updating data</td></tr> </table>	0	1	no overwrite occurred	1	0	a message was lost (overwritten)	0	1	the message is valid	1	0	software is updating data
0	1	no overwrite occurred												
1	0	a message was lost (overwritten)												
0	1	the message is valid												
1	0	software is updating data												
1:0	NEWDAT	<p>New Data</p> <p>This bit-pair indicates whether a message object is valid (configured and ready for transmission).</p> <p>bit 1 bit 2</p> <table style="margin-left: 20px;"> <tr><td>0</td><td>1</td><td>not ready</td></tr> <tr><td>1</td><td>0</td><td>message object is valid</td></tr> </table> <p>For receive message objects, the CAN peripheral sets this bit-pair when it stores new data into the message object.</p> <p>For transmit message objects, set this bit-pair and clear the CPUUPD bit-pair to indicate that the message contents have been updated. Clearing CPUUPD prevents a remote frame from triggering a transmission that would contain invalid data.</p> <p>During initialization, clear this bit for any unused message objects.</p>	0	1	not ready	1	0	message object is valid						
0	1	not ready												
1	0	message object is valid												

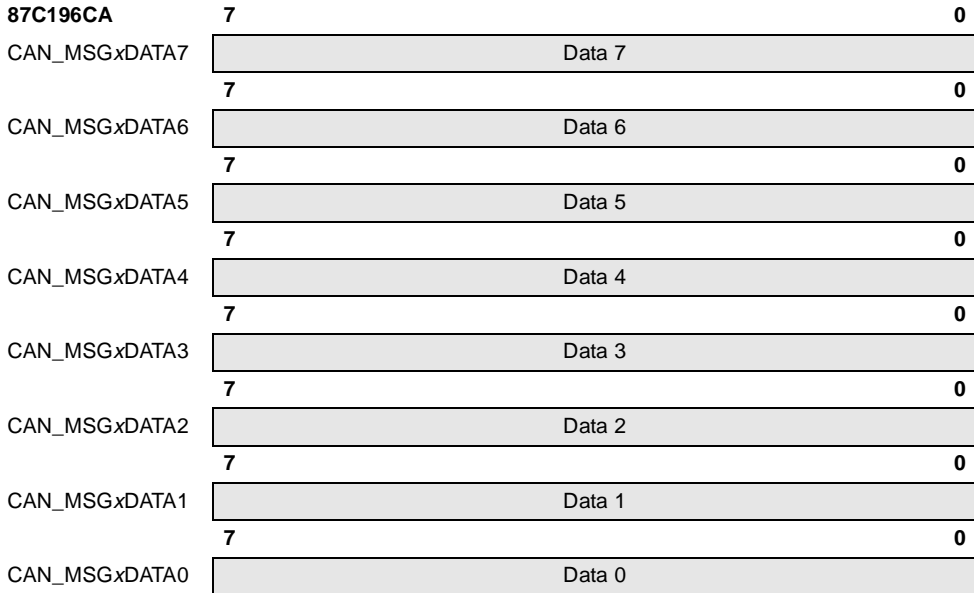
Figure 12-15. CAN Message Object x Control 1 (CAN_MSGxCON1) Register (Continued)

CAN_MSGxDATA0–7
x = 1–15 (87C196CA)

Address: 1ExEH, 1ExDH,
 1ExCH, 1ExBH,
 1ExAH, 1Ex9H,
 1Ex8H, 1Ex7H
 (x = 1–F)

Reset State: Unchanged

The CAN message object data (CAN_MSGxDATA0–7) registers contain data to be transmitted or data received. Any unused data bytes have random values that change during operation.



Bit Number	Function
7:0	<p>Data</p> <p>Each message object can use from zero to eight data registers to hold data to be transmitted or data received.</p> <p>For receive message objects, these registers accept data during a reception.</p> <p>For transmit message objects, write the data that is to be transmitted to these registers. The number of data bytes must match the DLC field in the CAN_MSGxCFG register. (For example, if CAN_MSG1DATA0, CAN_MSG1DATA1, CAN_MSG1DATA2, and CAN_MSG1DATA3 contain data, the DLC field in CAN_MSG1CFG must contain 04H.)</p>

Figure 12-16. CAN Message Object Data (CAN_MSGxDATA0–7) Registers

12.6 ENABLING THE CAN INTERRUPTS

The CAN controller has a single interrupt input (INT13) to the interrupt controller. (Generally, PTS interrupt service is not useful for the CAN controller because the PTS cannot readily determine the source of the CAN controller’s multiplexed interrupts.) To enable the CAN controller’s interrupts, you must enable the interrupt source by setting the CAN bit in INT_MASK1 (see Table 12-2 on page 12-3) and globally enable interrupt servicing (by executing the EI instruction). In addition, you must set bits in the CAN control register (Figure 12-17) and the individual message objects’ control register 0 (Figure 12-18) to enable the individual interrupt sources within the CAN controller.

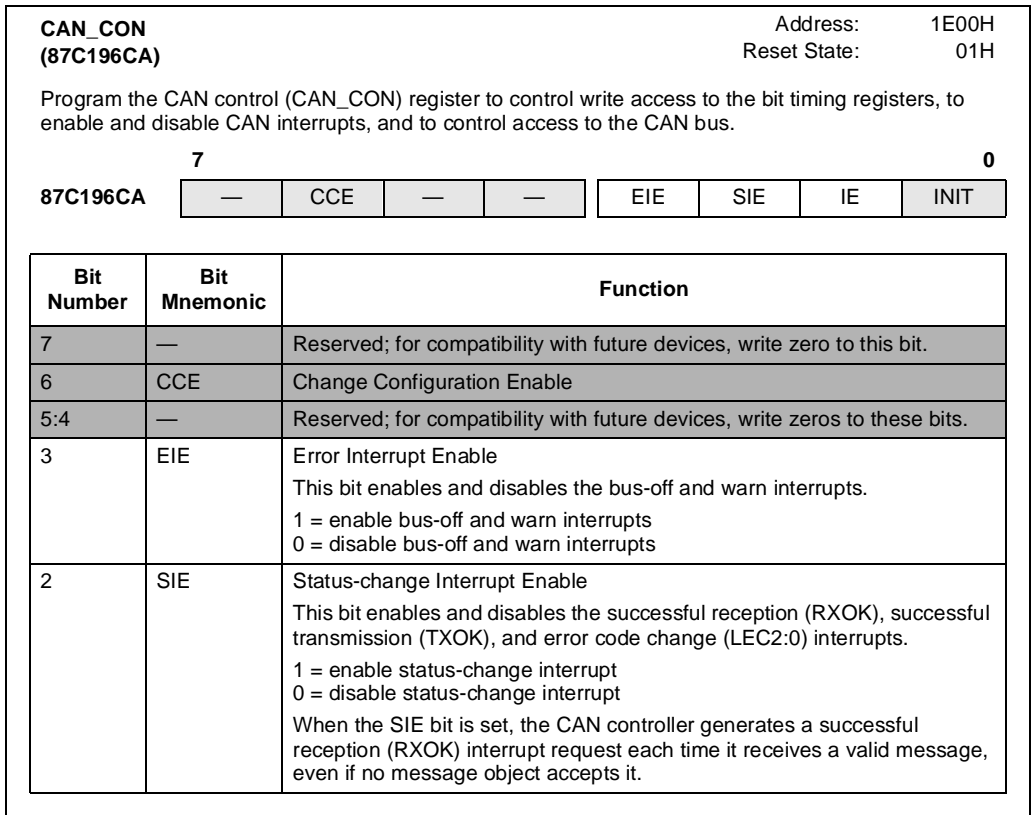


Figure 12-17. CAN Control (CAN_CON) Register

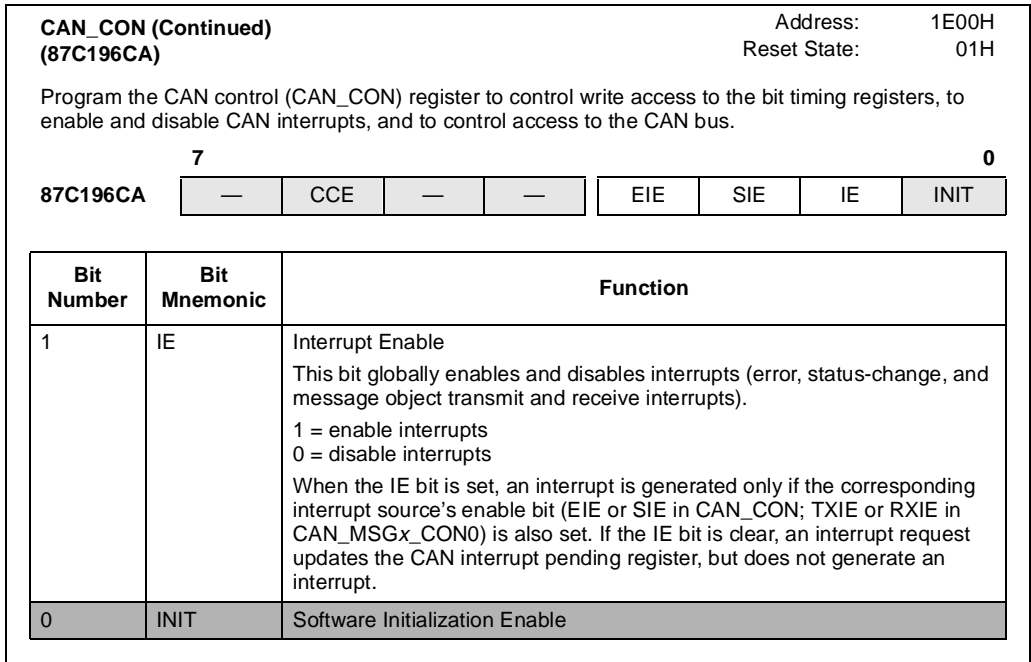


Figure 12-17. CAN Control (CAN_CON) Register (Continued)

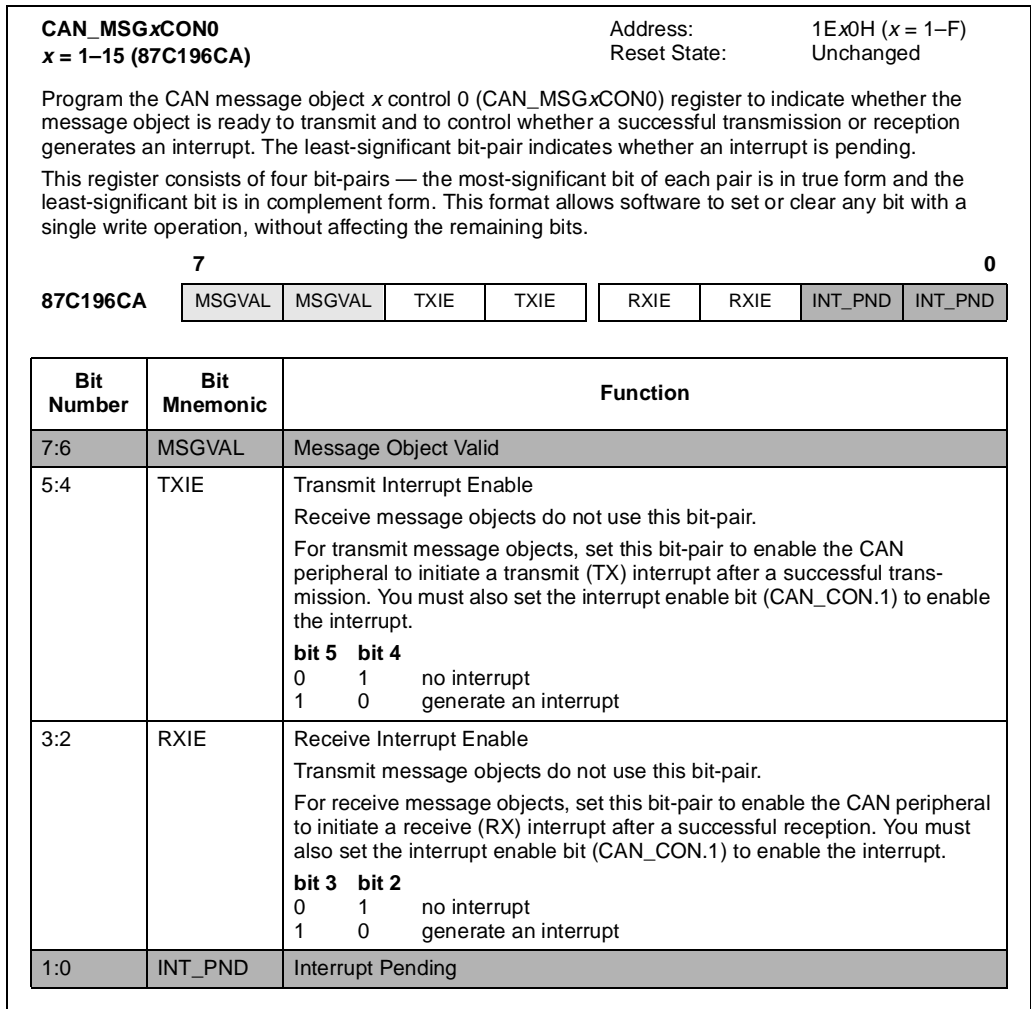


Figure 12-18. CAN Message Object x Control 0 (CAN_MSGxCON0) Register

When the SIE bit in the CAN control register is set, the CAN controller generates a successful reception (RXOK) interrupt request each time it receives a valid message, even if no message object accepts it. If you set both the SIE bit (Figure 12-17) and an individual message object's RXIE bit (Figure 12-18), the CAN controller generates two interrupt requests each time a message object receives a message. The status change interrupt is useful during development to detect bus errors caused by noise or other hardware problems. However, you should disable this interrupt during normal operation in most applications. If the status change interrupt is enabled, each status change generates an interrupt request, placing an unnecessary burden on the CPU. To prevent redundant interrupt requests, enable the error interrupt sources (with the EIE bit) and enable the receive and transmit interrupts in the individual message objects.

12.7 DETERMINING THE CAN CONTROLLER'S INTERRUPT STATUS

A successful reception or transmission or a change in the status register can cause the CAN controller to generate an interrupt request. The INT_PEND1 register (see Table 12-2 on page 12-3) indicates whether a CAN interrupt request is pending. The CAN interrupt pending register (Figure 12-19) indicates the source of the request (either the status register or a specific message object). Your interrupt service routine should read the CAN_INT register to ensure that no additional interrupts are pending before executing the return instruction. Chapter 5, "Standard and PTS Interrupts," discusses interrupt service, relative priorities, and timing.

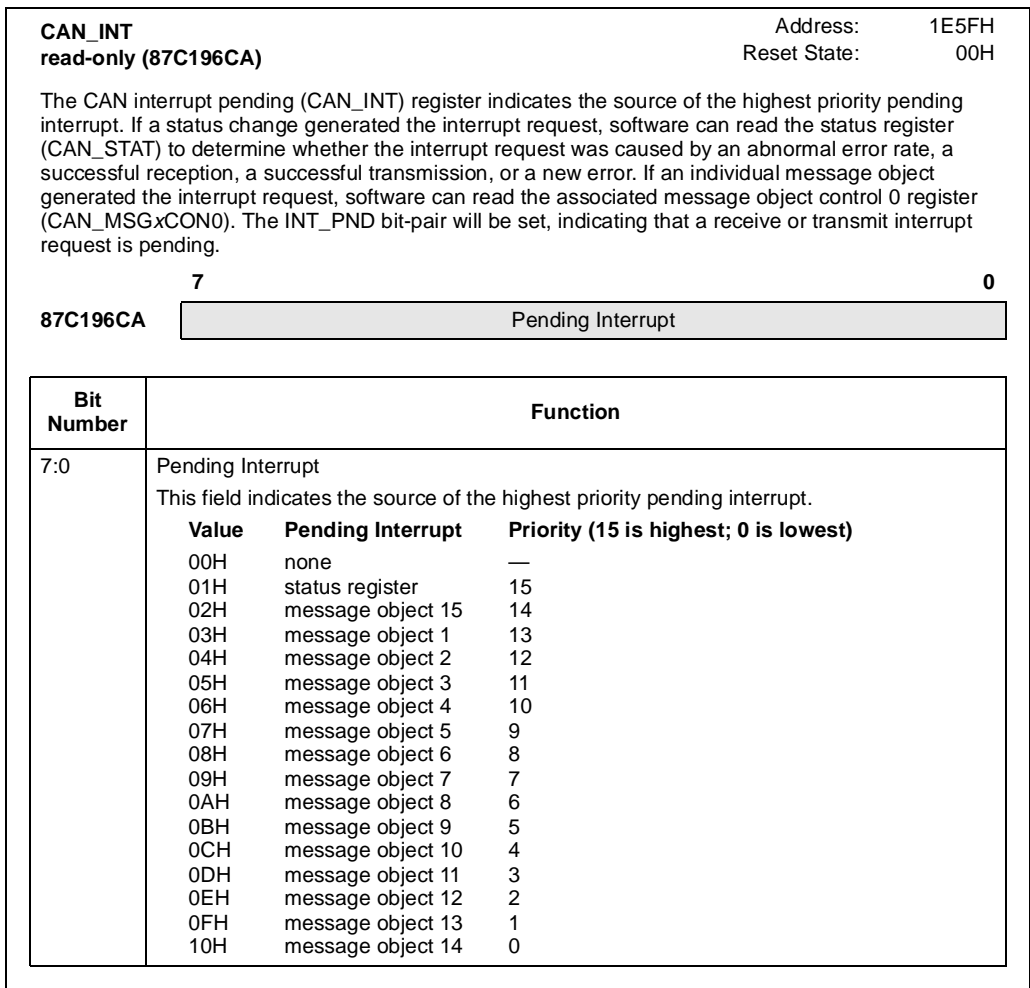


Figure 12-19. CAN Interrupt Pending (CAN_INT) Register

If a status change generated the interrupt (CAN_INT = 01H), software can read the CAN status register (Figure 12-20) to determine the source of the interrupt request.

CAN_STAT (87C196CA)		Address: 1E01H	
		Reset State: XXH	
The CAN status (CAN_STAT) register reflects the current status of the CAN peripheral.			
7		0	
87C196CA	BUSOFF	WARN	—
	RXOK	TXOK	LEC2
	LEC1	LEC0	

Bit Number	Bit Mnemonic	Function																																				
7	BUSOFF	<p>Bus-off Status</p> <p>The CAN peripheral sets this read-only bit to indicate that it has isolated itself from the CAN bus (floated the TX pin) because an error counter has reached 256. A bus-off recovery sequence clears this bit and clears the error counters. (See "Bus-off State" on page 12-41.)</p>																																				
6	WARN	<p>Warning Status</p> <p>The CAN peripheral sets this read-only bit to indicate that an error counter has reached 96, indicating an abnormal rate of errors on the CAN bus.</p>																																				
5	—	Reserved. This bit is undefined.																																				
4	RXOK	<p>Reception Successful</p> <p>The CAN peripheral sets this bit to indicate that a message has been successfully received (error free, regardless of acknowledgment) since the bit was last cleared. Software must clear this bit when it services the interrupt.</p>																																				
3	TXOK	<p>Transmission Successful</p> <p>The CAN peripheral sets this bit to indicate that a message has been successfully transmitted (error free and acknowledged by at least one other node) since the bit was last cleared. Software must clear this bit when it services the interrupt.</p>																																				
2:0	LEC2:0	<p>Last Error Code</p> <p>This field indicates the error type of the first error that occurs in a message frame on the CAN bus. ("Error Detection and Management Logic" on page 12-9 describes the error types.)</p> <table border="1"> <thead> <tr> <th>LEC2</th> <th>LEC1</th> <th>LEC0</th> <th>Error Type</th> </tr> </thead> <tbody> <tr> <td>0</td> <td>0</td> <td>0</td> <td>no error</td> </tr> <tr> <td>0</td> <td>0</td> <td>1</td> <td>stuff error</td> </tr> <tr> <td>0</td> <td>1</td> <td>0</td> <td>form error</td> </tr> <tr> <td>0</td> <td>1</td> <td>1</td> <td>acknowledgment error</td> </tr> <tr> <td>1</td> <td>0</td> <td>0</td> <td>bit 1 error</td> </tr> <tr> <td>1</td> <td>0</td> <td>1</td> <td>bit 0 error</td> </tr> <tr> <td>1</td> <td>1</td> <td>0</td> <td>CRC error</td> </tr> <tr> <td>1</td> <td>1</td> <td>1</td> <td>unused</td> </tr> </tbody> </table>	LEC2	LEC1	LEC0	Error Type	0	0	0	no error	0	0	1	stuff error	0	1	0	form error	0	1	1	acknowledgment error	1	0	0	bit 1 error	1	0	1	bit 0 error	1	1	0	CRC error	1	1	1	unused
LEC2	LEC1	LEC0	Error Type																																			
0	0	0	no error																																			
0	0	1	stuff error																																			
0	1	0	form error																																			
0	1	1	acknowledgment error																																			
1	0	0	bit 1 error																																			
1	0	1	bit 0 error																																			
1	1	0	CRC error																																			
1	1	1	unused																																			

Figure 12-20. CAN Status (CAN_STAT) Register

If an individual message object caused the interrupt request (CAN_INT = 02–10H), software can read the associated message object control 0 register (Figure 12-21). The INT_PND bit-pair will be set, indicating that a receive or transmit interrupt request is pending

CAN_MSGxCON0 (n = 1–15)				Address: 1Ex0H (x=1–F)		Reset State: Unchanged	
<p>Program the CAN message object x control 0 register (CAN_MSGxCON0) to indicate whether the message object is ready to transmit and to control whether a successful transmission or reception generates an interrupt. The most-significant bit-pair indicates whether an interrupt is pending.</p> <p>This register consists of four bit-pairs — the most-significant bit of each pair is in true form and the least-significant bit is in complement form. This format allows software to set or clear any bit with a single write operation, without affecting the remaining bits.</p>							
7				0			
MSGVAL	MSGVAL	TXIE	TXIE	RXIE	RXIE	INT_PND	INT_PND
Bit Number	Bit Mnemonic	Function					
7:6	MSGVAL	Message Object Valid					
5:4	TXIE	Transmit Interrupt Enable					
3:2	RXIE	Receive Interrupt Enable					
1:0	INT_PND	Interrupt Pending This bit-pair indicates that the CAN peripheral has initiated a transmit (TX) or receive (RX) interrupt. Software must clear this bit when it services the interrupt. 01 = no interrupt 10 = an interrupt was generated					

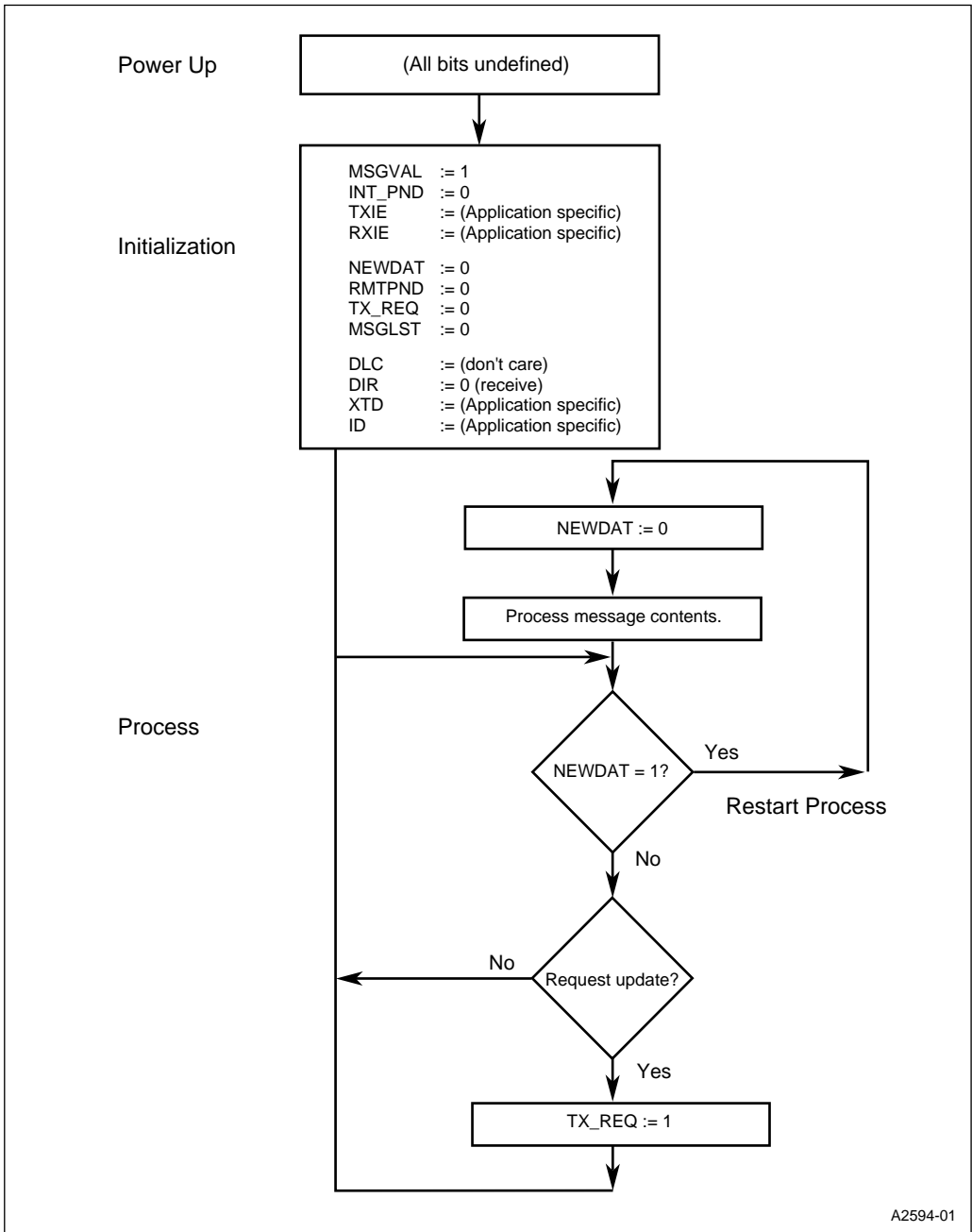
Figure 12-21. CAN Message Object x Control 0 (CAN_MSGxCON0) Register

12.8 FLOW DIAGRAMS

The flow diagrams in this section describe the steps that your software (shown as CPU) and the CAN controller execute to receive and transmit messages. Table 12-13 lists the register bits shown in the diagrams along with their associated registers and a cross-reference to the figure that describes them.

Table 12-13. Cross-reference for Register Bits Shown in Flowcharts

Bit Mnemonic	Register Mnemonic	Figure and Page
CPUUPD	CAN_MSGxCON1	Figure 12-15 on page 12-26
DIR	CAN_MSGxCFG	Figure 12-12 on page 12-21
DLC	CAN_MSGxCFG	Figure 12-12 on page 12-21
ID	CAN_MSGxID	Figure 12-13 on page 12-22
INT_PND	CAN_MSGxCON0	Figure 12-14 on page 12-24
MSGLST	CAN_MSGxCON1	Figure 12-15 on page 12-26
MSGVAL	CAN_MSGxCON0	Figure 12-14 on page 12-24
NEWDAT	CAN_MSGxCON1	Figure 12-15 on page 12-26
RMTPND	CAN_MSGxCON1	Figure 12-15 on page 12-26
RXIE	CAN_MSGxCON0	Figure 12-14 on page 12-24
TXIE	CAN_MSGxCON0	Figure 12-14 on page 12-24
TX_REG	CAN_MSGxCON1	Figure 12-15 on page 12-26
XTD	CAN_MSGxCFG	Figure 12-12 on page 12-21



A2594-01

Figure 12-22. Receiving a Message for Message Objects 1–14 — CPU Flow

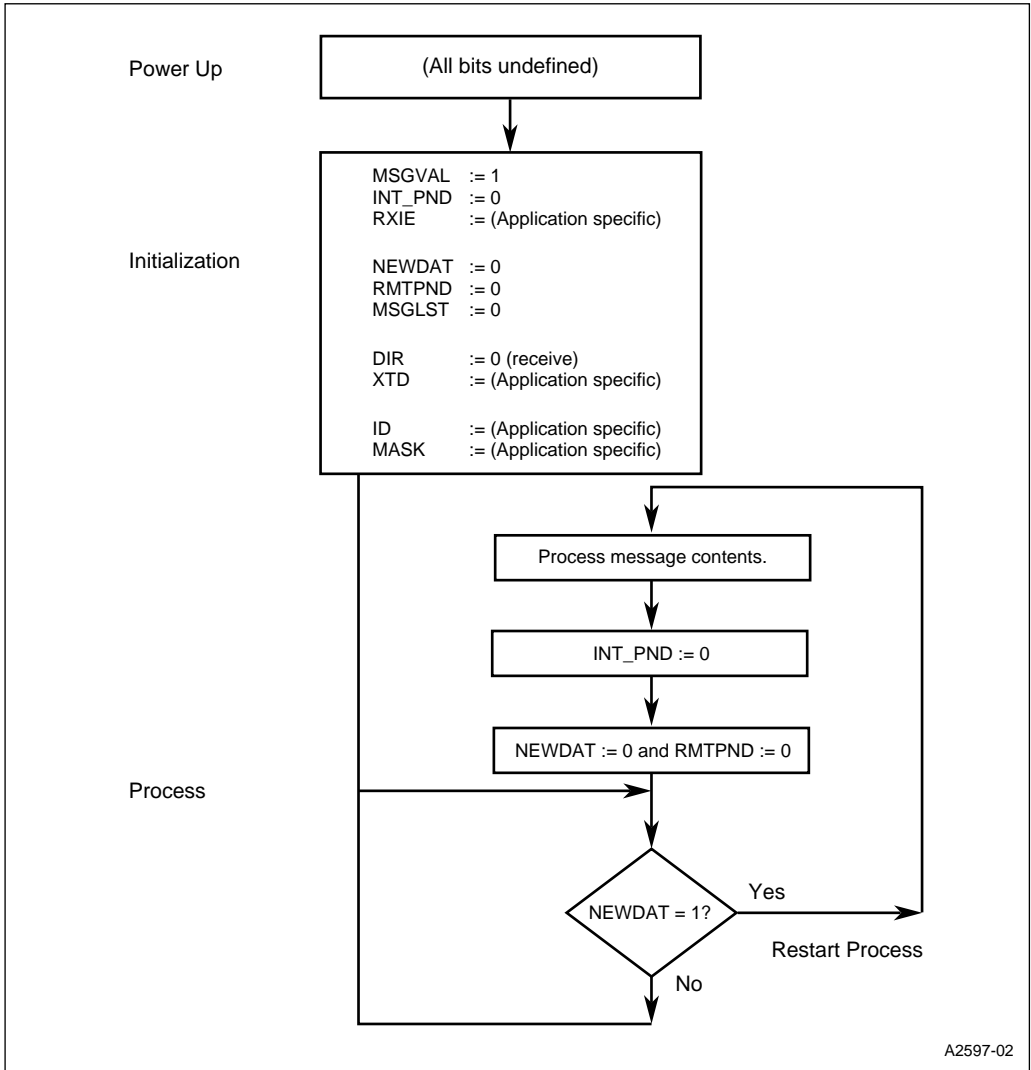
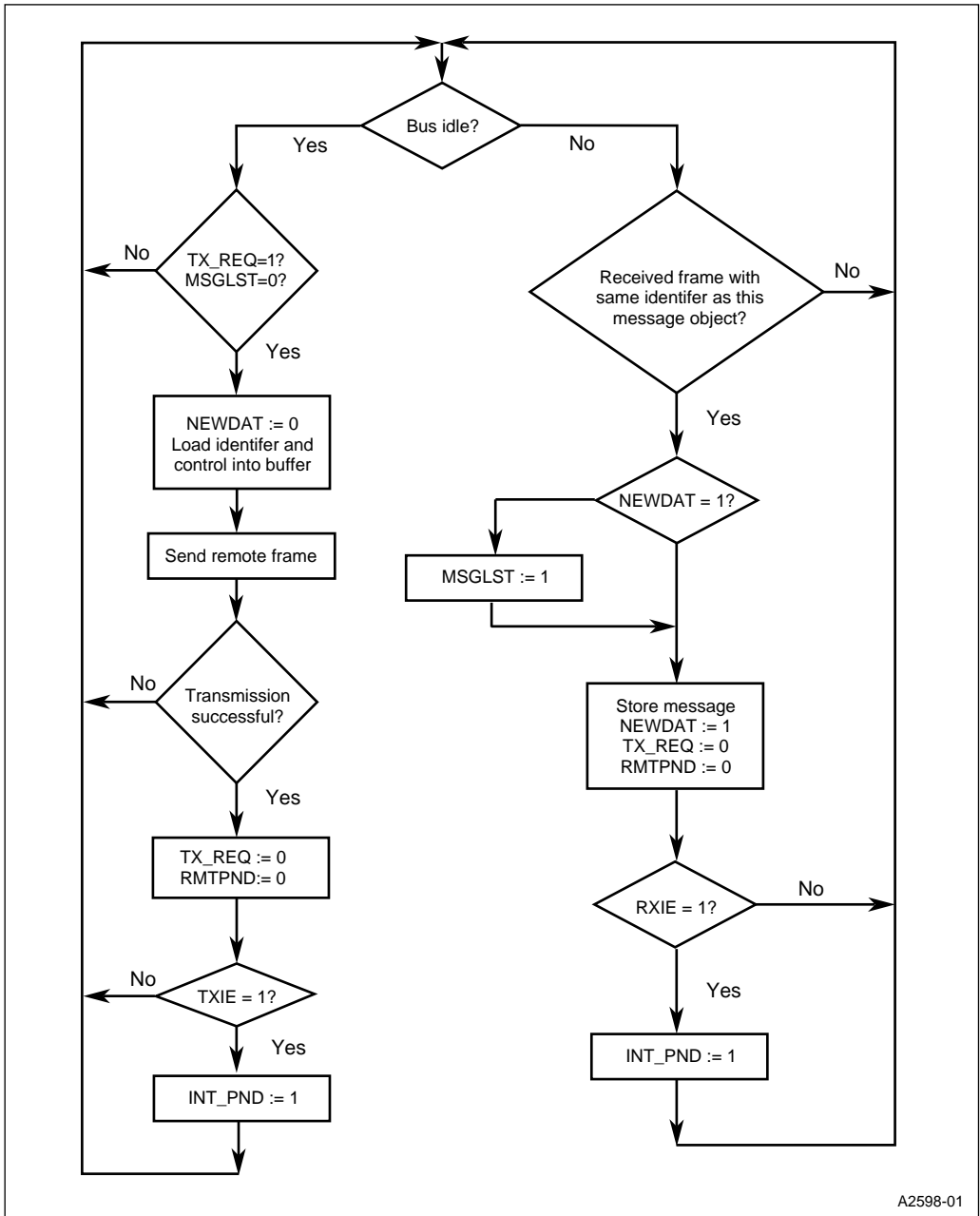


Figure 12-23. Receiving a Message for Message Object 15 — CPU Flow



A2598-01

Figure 12-24. Receiving a Message — CAN Controller Flow

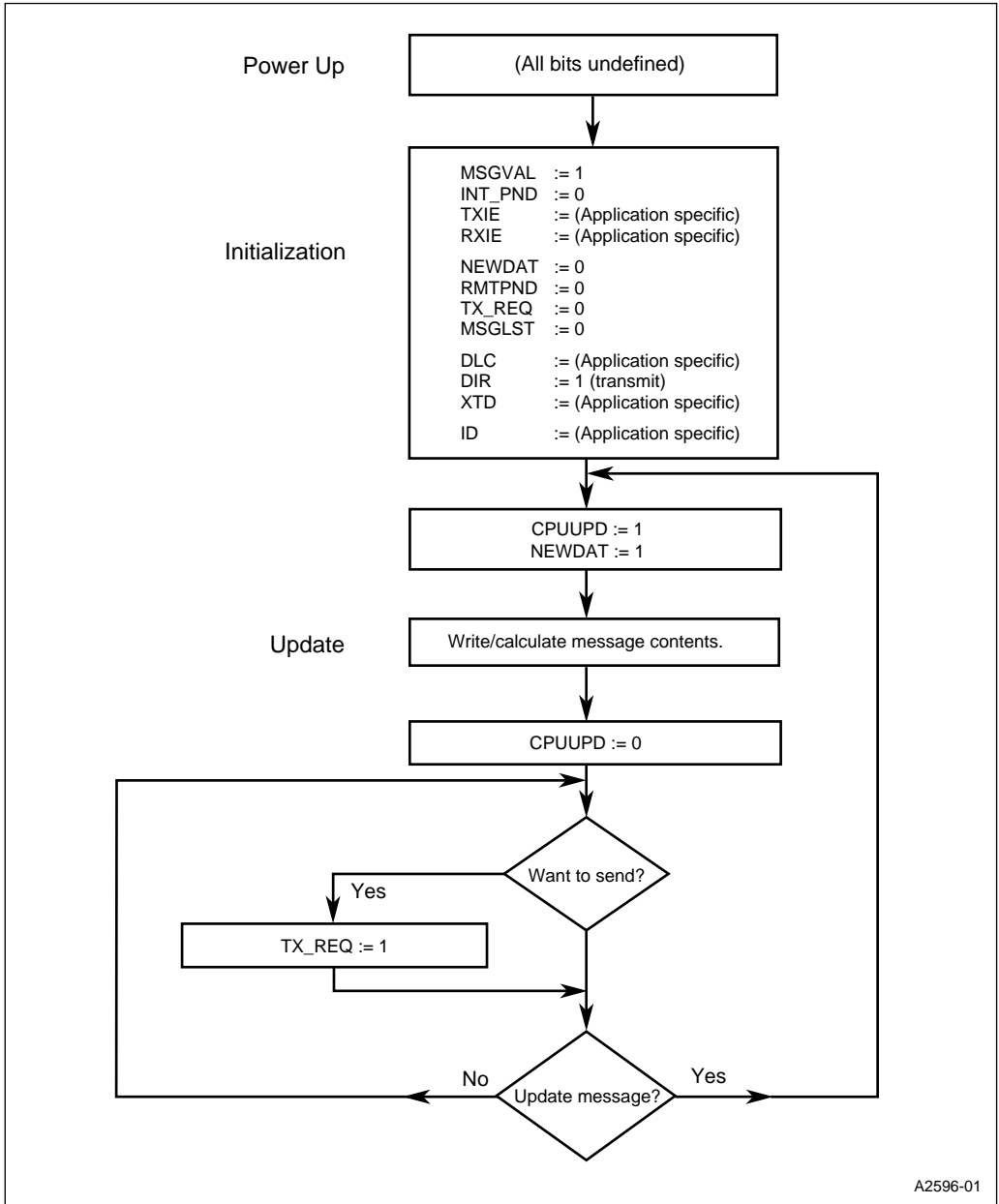


Figure 12-25. Transmitting a Message — CPU Flow

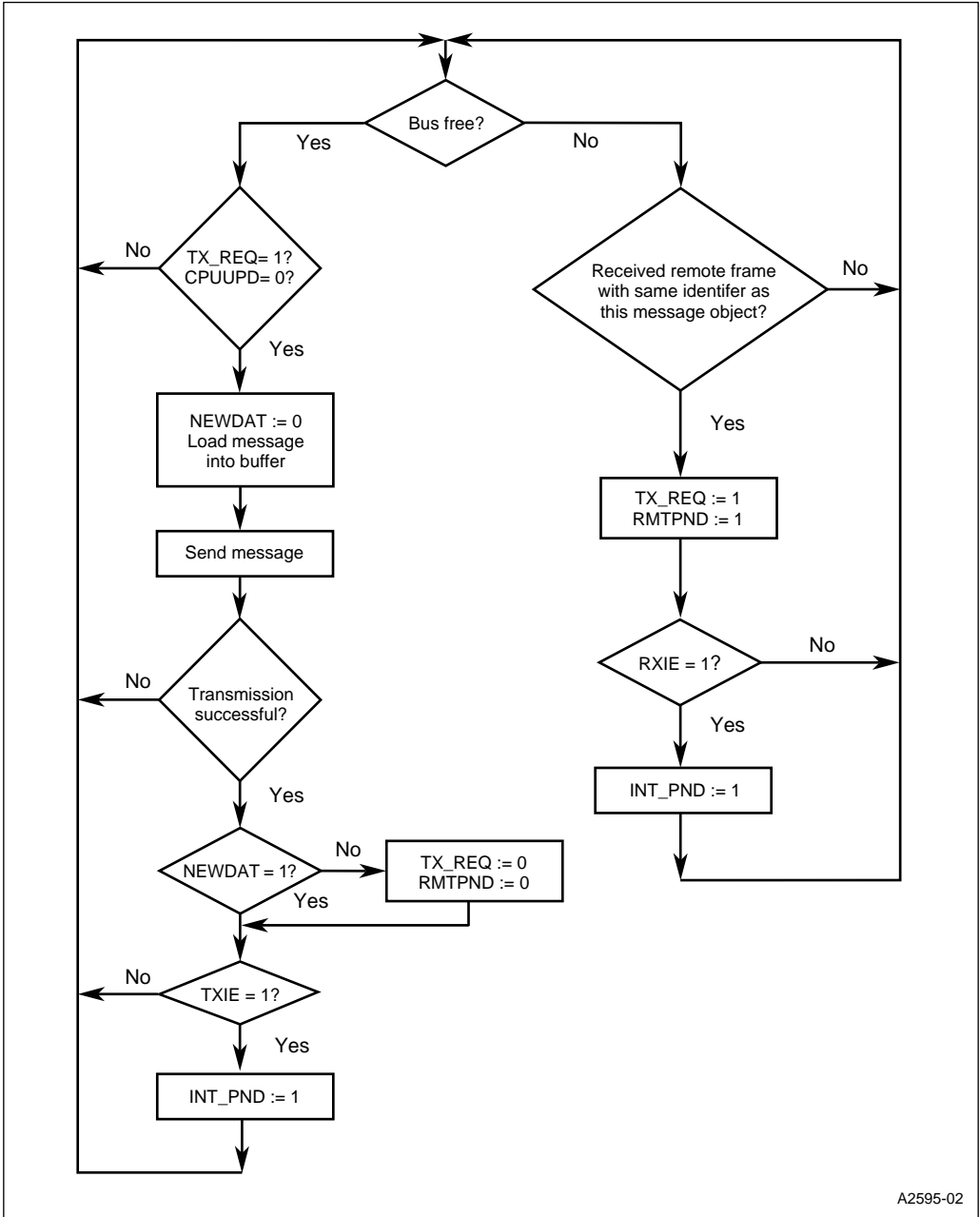


Figure 12-26. Transmitting a Message — CAN Controller Flow

12.9 DESIGN CONSIDERATIONS

This section outlines design considerations for the CAN controller.

12.9.1 Hardware Reset

A hardware reset clears the error management counters and the bus-off state and leaves the registers with the values listed in Table 12-14.

Table 12-14. Register Values Following Reset

Register	Hex Address	Reset Value
Control	1E00	01H
Status	1E01	undefined
Standard Global Mask	1E06–1E07	unchanged (undefined at power-up)
Extended Global Mask	1E08–1E0B	unchanged (undefined at power-up)
Message 15 Mask	1E0C–1E0F	unchanged (undefined at power-up)
Bit Timing 0	1E3F	unchanged (undefined at power-up)
Bit Timing 1	1E4F	unchanged (undefined at power-up)
Interrupt	1E5F	00H
Message Object <i>x</i>	1Ex0–1ExE	unchanged (undefined at power-up)

12.9.2 Software Initialization

The software initialization state allows software to configure the CAN controller’s RAM without risk of messages being received or transmitted during this time. Setting the INIT bit in the control register causes the CAN controller to enter the software initialization state. Either a hardware reset or a software write can set the INIT bit. While INIT is set, all message transfers to and from the CAN controller are stopped and the error counters and bit timing registers are unchanged. Your software should clear the INIT bit to cause the CAN controller to exit the software initialization state. At this time, the CAN controller synchronizes itself to the CAN bus by waiting for a bus idle state (11 consecutive recessive bits) before participating in bus activities.

12.9.3 Bus-off State

If an error counter reaches 256, the CAN controller isolates itself from the CAN bus, sets the BUSOFF bit in the status register, and sets the INIT bit in the control register. While INIT is set, all message transfers to and from the CAN controller are stopped; the error counters and bit timing registers are unchanged. Software must clear the INIT bit to initiate the bus-off recovery sequence.

The CAN controller synchronizes itself to the CAN bus by waiting for 128 bus idle states (128 occurrences of 11 consecutive recessive bits) before participating in bus activities. During this sequence, the CAN controller writes a bit 0 error code to the LEC2:0 bits of the status register each time it receives a recessive bit. Software can check the status register to determine whether the CAN bus is stuck in a dominant state. Once the CAN controller is resynchronized with the CAN bus, it clears the BUSOFF bit and starts transferring messages again.





13

Minimum Hardware Considerations



CHAPTER 13

MINIMUM HARDWARE CONSIDERATIONS

The 8XC196Kx, Jx, and CA have several basic requirements for operation within a system. This chapter describes options for providing the basic requirements and discusses other hardware considerations.

13.1 MINIMUM CONNECTIONS

Table 13-1 lists the signals that are required for the device to function and Figure 13-1 shows the connections for a minimum configuration.

Table 13-1. Minimum Required Signals

Signal Name	Type	Description
ANGND	GND	Analog Ground ANGND must be connected for A/D converter and port 0 operation. ANGND and V _{SS} should be nominally at the same potential.
RESET#	I/O	Reset A level-sensitive reset input to and open-drain system reset output from the microcontroller. Either a falling edge on RESET# or an internal reset turns on a pull-down transistor connected to the RESET# pin for 16 state times. In the powerdown and idle modes, asserting RESET# causes the chip to reset and return to normal operating mode. The microcontroller resets to 2080H.
V _{CC}	PWR	Digital Supply Voltage Connect each V _{CC} pin to the digital supply voltage.
V _{PP}	PWR	Programming Voltage During programming, the V _{PP} pin is typically at +12.5 V (V _{PP} voltage). Exceeding the maximum V _{PP} voltage specification can damage the device. V _{PP} also causes the device to exit powerdown mode when it is driven low for at least 50 ns. Use this method to exit powerdown only when using an external clock source because it enables the internal phase clocks, but not the internal oscillator. On devices with no internal nonvolatile memory, connect V _{PP} to V _{CC} .
V _{REF}	PWR	Reference Voltage for the A/D Converter This pin also supplies operating voltage to both the analog portion of the A/D converter and the logic used to read port 0.
V _{SS}	GND	Digital Circuit Ground Connect each V _{SS} pin to ground through the lowest possible impedance path.

Table 13-1. Minimum Required Signals(Continued)

Signal Name	Type	Description
XTAL1	I	Input Crystal/Resonator or External Clock Input Input to the on-chip oscillator and the internal clock generators. The internal clock generators provide the peripheral clocks, CPU clock, and CLKOUT signal. When using an external clock source instead of the on-chip oscillator, connect the clock input to XTAL1. The external clock signal must meet the V_{IH} specification for XTAL1 (see datasheet).
XTAL2	O	Inverted Output for the Crystal/Resonator Output of the on-chip oscillator inverter. Leave XTAL2 floating when the design uses a external clock source instead of the on-chip oscillator.

13.1.1 Unused Inputs

For predictable performance, it is important to tie unused inputs to V_{CC} or V_{SS} . Otherwise, they can float to a mid-voltage level and draw excessive current. Unused interrupt inputs may generate spurious interrupts if left unconnected.

13.1.2 I/O Port Pin Connections

Tie unused input-only port inputs to V_{SS} as shown in Figure 13-1. Chapter 6, "I/O Ports," contains information about initializing and configuring the ports. Table 13-2 lists the sections, with page numbers, that contain the information for each port.

Table 13-2. I/O Port Configuration Guide

Port	Where to Find Configuration Information
Port 0	"Standard Input-only Port Considerations" on page 6-3
Ports 1 and 2	"Bidirectional Port Pin Configurations" on page 6-10 and "Bidirectional Port Considerations" on page 6-12
Ports 3 and 4	"Bidirectional Ports 3 and 4 (Address/Data Bus) Operation" on page 6-16
Ports 5 and 6	"Bidirectional Port Pin Configurations" on page 6-10 and "Bidirectional Port Considerations" on page 6-12

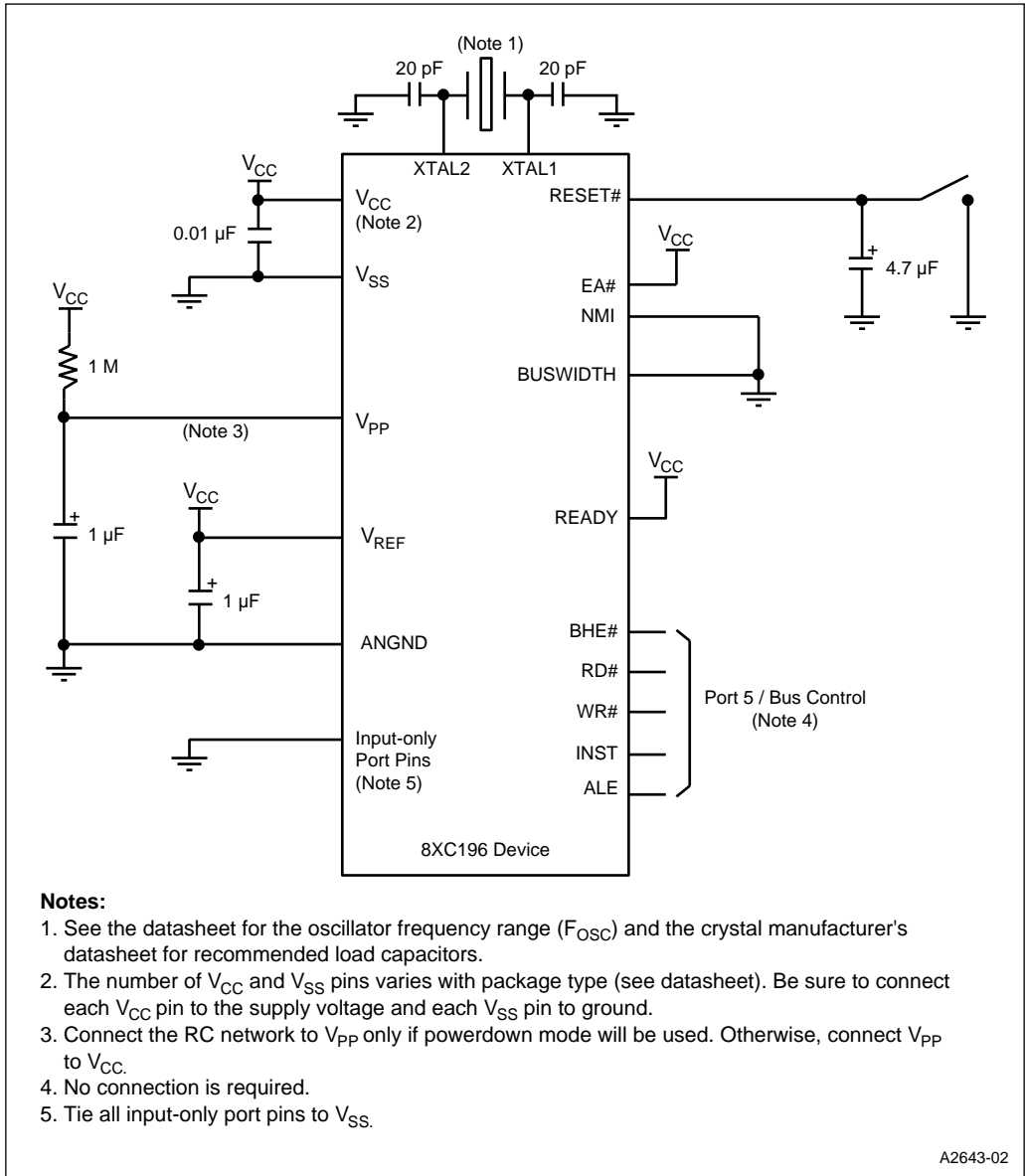


Figure 13-1. Minimum Hardware Connections

13.2 APPLYING AND REMOVING POWER

When power is first applied to the device, RESET# must remain continuously low for at least one state time after the power supply is within tolerance and the oscillator/clock has stabilized; otherwise, operation might be unpredictable. Similarly, when powering down a system, RESET# should be brought low before V_{CC} is removed; otherwise, an inadvertent write to an external location might occur. Carefully evaluate the possible effect of power-up and power-down sequences on a system.

13.3 NOISE PROTECTION TIPS

The fast rise and fall times of high-speed CMOS logic often produce noise spikes on the power supply lines and outputs. To minimize noise, it is important to follow good design and board layout techniques. We recommend liberal use of decoupling capacitors and transient absorbers. Add $0.01\ \mu\text{F}$ bypass capacitors between V_{CC} and each V_{SS} pin and a $1.0\ \mu\text{F}$ capacitor between V_{REF} and ANGND to reduce noise (Figure 13-2). Place the capacitors as close to the device as possible. Use the shortest possible path to connect V_{SS} lines to ground and each other.

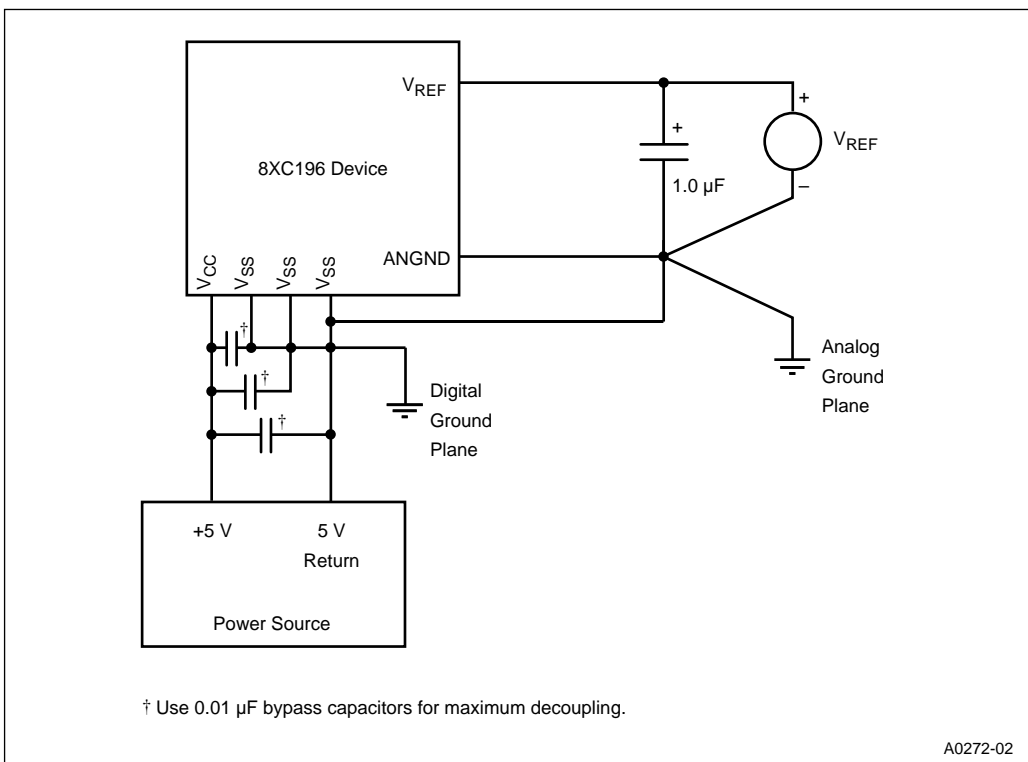


Figure 13-2. Power and Return Connections

If the A/D converter will be used, connect V_{REF} to a separate reference supply to minimize noise during A/D conversions. Even if the A/D converter will not be used, V_{REF} and ANGND must be connected to provide power to port 0. Refer to “Analog Ground and Reference Voltages” on page 11-13 for a detailed discussion of A/D power and ground recommendations.

Multilayer printed circuit boards with separate V_{CC} and ground planes also help to minimize noise. For more information on noise protection, refer to AP-125, *Designing Microcontroller Systems for Noisy Environments* and AP-711, *EMI Design Techniques for Microcontrollers in Automotive Applications*.

13.4 PROVIDING THE CLOCK

The device can either use the on-chip oscillator to generate the clocks or use an external clock input signal. The following paragraphs describe the considerations for both methods.

13.4.1 Using the On-chip Oscillator

The on-chip oscillator circuit (Figure 13-3) consists of a crystal-controlled, positive reactance oscillator. In this application, the crystal operates in a parallel resonance mode. The feedback resistor, R_f , consists of paralleled n -channel and p -channel FETs controlled by the internal powerdown signal. In powerdown mode, R_f acts as an open and the output drivers are disabled, which disables the oscillator. Both the XTAL1 and XTAL2 pins have built-in electrostatic discharge (ESD) protection.

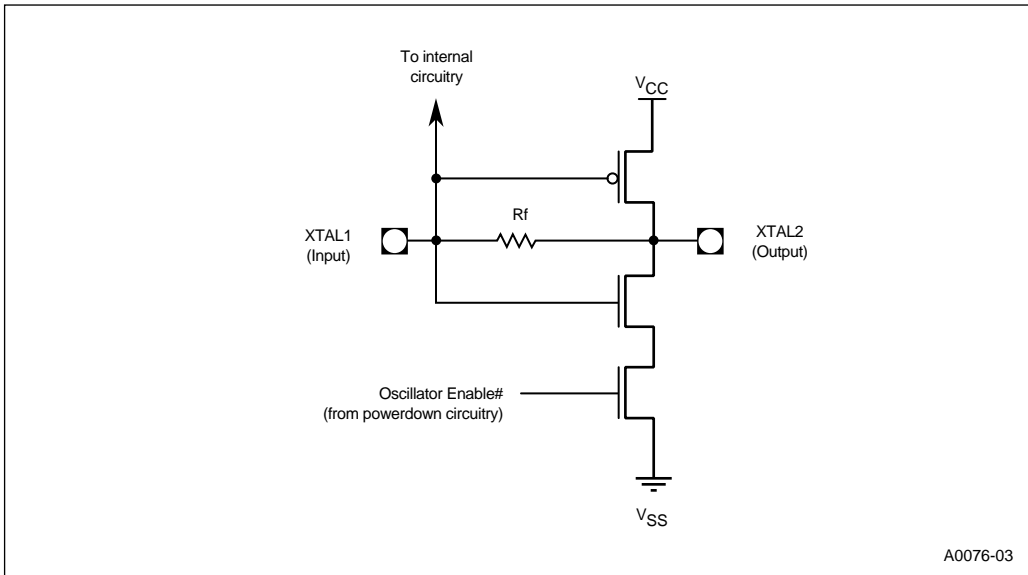


Figure 13-3. On-chip Oscillator Circuit

Figure 13-4 shows the connections between the external crystal and the device. When designing an external oscillator circuit, consider the effects of parasitic board capacitance, extended operating temperatures, and crystal specifications. Consult the manufacturer's datasheet for performance specifications and required capacitor values. With high-quality components, 20 pF load capacitors (C_L) are usually adequate for frequencies above 1 MHz.

Noise spikes on the XTAL1 or XTAL2 pin can cause a miscount in the internal clock-generating circuitry. Capacitive coupling between the crystal oscillator and traces carrying fast-rising digital signals can introduce noise spikes. To reduce this coupling, mount the crystal oscillator and capacitors near the device and use short, direct traces to connect to XTAL1, XTAL2, and V_{SS} . To further reduce the effects of noise, use grounded guard rings around the oscillator circuitry and ground the metallic crystal case.

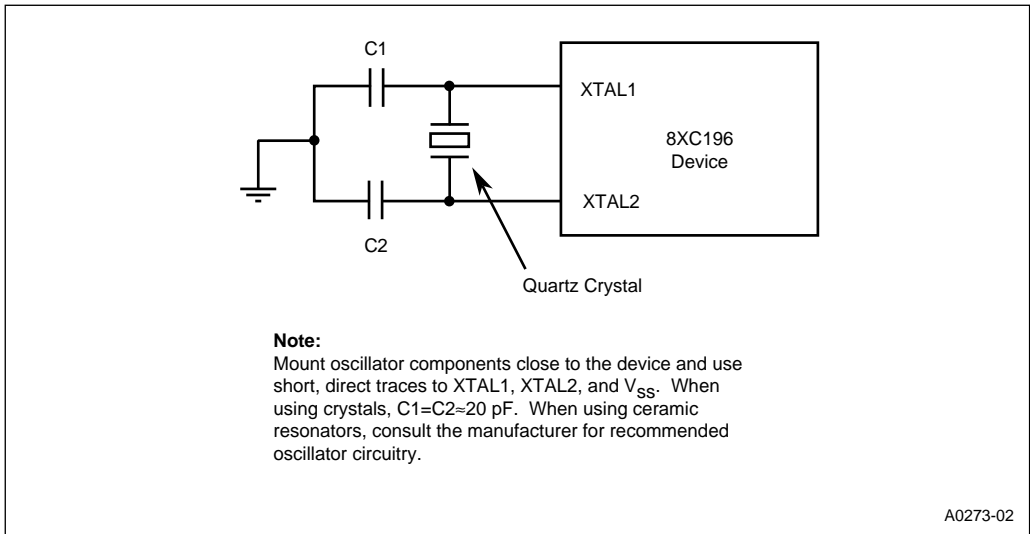


Figure 13-4. External Crystal Connections

13.4.2 Using a Ceramic Resonator Instead of a Crystal Oscillator

In cost-sensitive applications, you may choose to use a ceramic resonator instead of a crystal oscillator. Ceramic resonators may require slightly different load capacitor values and circuit configurations. Consult the manufacturer's datasheet for the required oscillator circuitry.

13.4.3 Providing an External Clock Source

To use an external clock source, apply a clock signal to XTAL1 and let XTAL2 float (Figure 13-5). To ensure proper operation, the external clock source must meet the minimum high and low times (T_{XHXX} and T_{XLXX}) and the maximum rise and fall transition times (T_{XLHX} and T_{XHXL}) (Figure 13-6). The longer the rise and fall times, the higher the probability that external noise will affect the clock generator circuitry and cause unreliable operation. See the datasheet for required XTAL1 voltage drive levels and actual specifications.

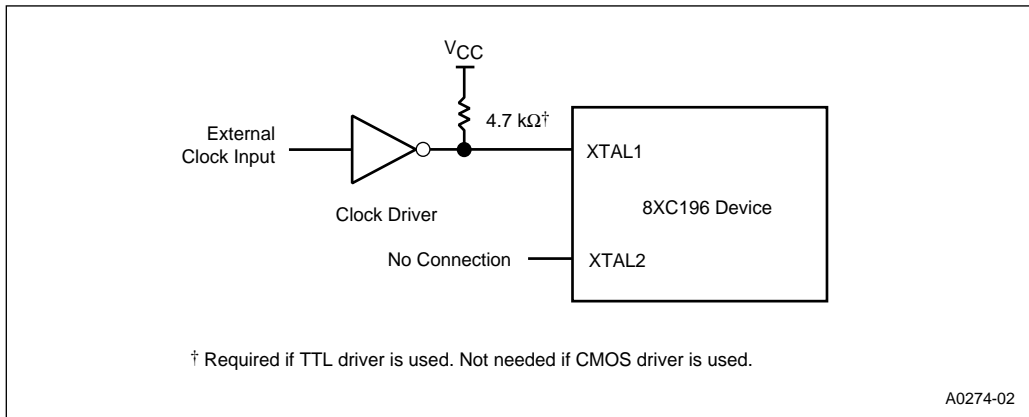


Figure 13-5. External Clock Connections

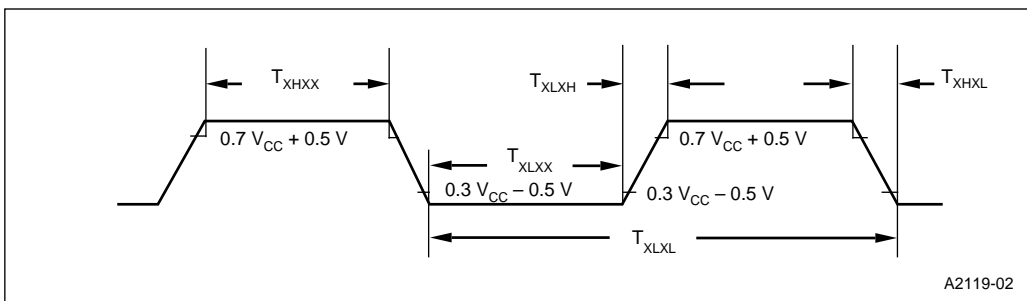


Figure 13-6. External Clock Drive Waveforms

At power-on, the interaction between the internal amplifier and its feedback capacitance (i.e., the Miller effect) may cause a load of up to 100 pF at the XTAL1 pin if the signal at XTAL1 is weak (such as might be the case during start-up of the external oscillator). This situation will go away when the XTAL1 input signal meets the V_{IL} and V_{IH} specifications (listed in the datasheet). If these specifications are met, the XTAL1 pin capacitance will not exceed 20 pF.

13.5 RESETTING THE DEVICE

Reset forces the device into a known state. As soon as RESET# is asserted, the I/O pins, the control pins, and the registers are driven to their reset states. (Tables in Appendix B list the reset states of the pins (see Table B-8 on page B-20 for the 8XC196Kx, Table B-9 on page B-21 for the 8XC196Jx, or Table B-10 on page B-22 for the 87C196CA). See Table C-2 on page C-2 for the reset values of the SFRs.) The device remains in its reset state until RESET# is deasserted. When RESET# is deasserted, the bus controller fetches the chip configuration bytes (CCBs), loads them into the chip configuration registers (CCRs), and then fetches the first instruction.

Figure 13-7 shows the reset-sequence timing. Depending upon when RESET# is brought high, the CLKOUT signal may become out of phase with the PH1 internal clock. When this occurs, the clock generator immediately resynchronizes CLKOUT as shown in Case 2.

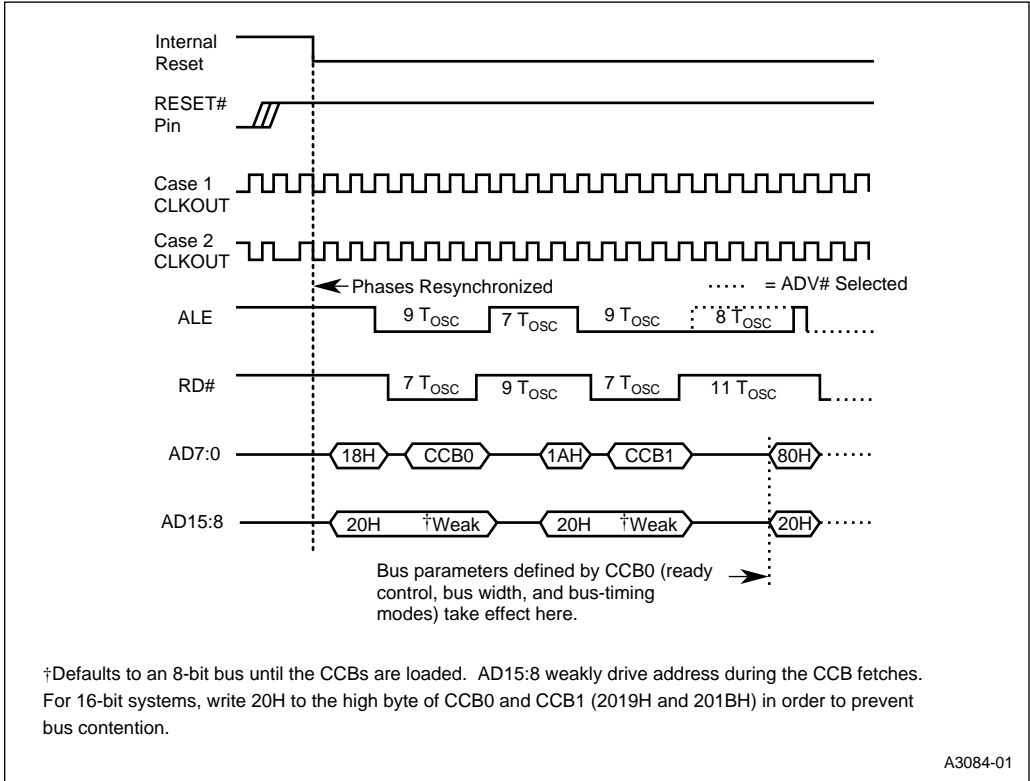


Figure 13-7. Reset Timing Sequence

The following events will reset the device (see Figure 13-8):

- an external device pulls the RESET# pin low
- the CPU issues the reset (RST) instruction
- the CPU issues an idle/powerdown (IDLPD) instruction with an illegal key operand
- the watchdog timer (WDT) overflows
- the oscillator fail detect (OFD) circuitry is enabled and an oscillator failure occurs

The following paragraphs describe each of these reset methods in more detail.

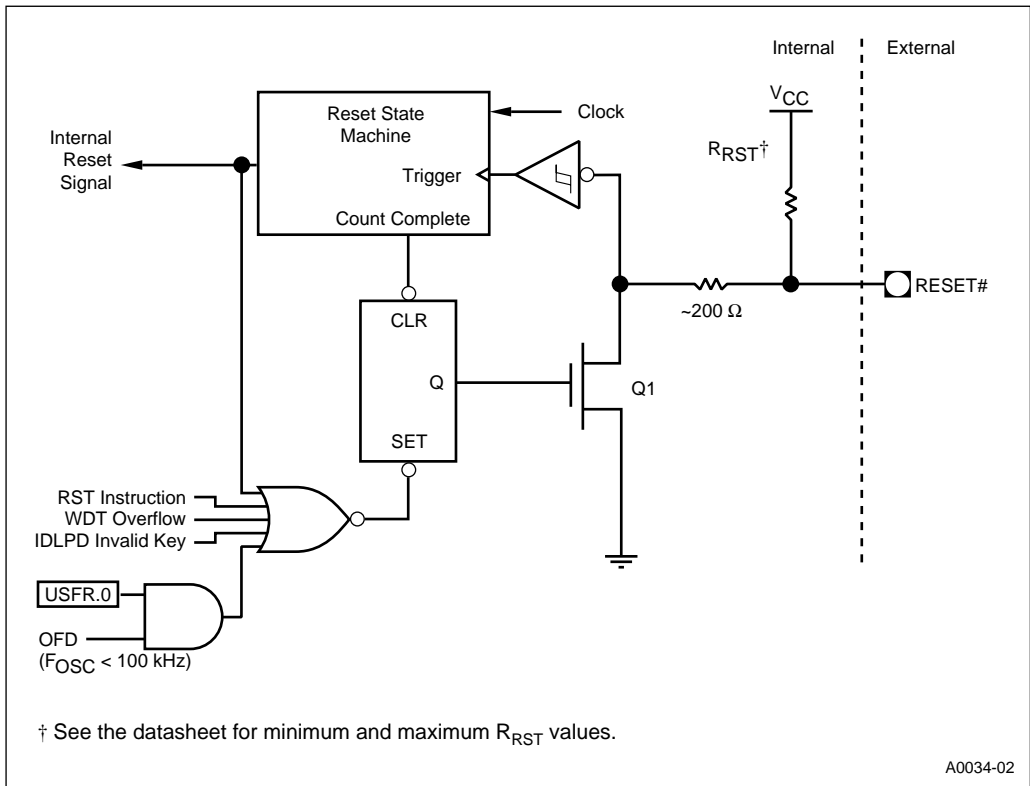


Figure 13-8. Internal Reset Circuitry

13.5.1 Generating an External Reset

To reset the device, hold the RESET# pin low for at least one state time after the power supply is within tolerance and the oscillator has stabilized. When RESET# is first asserted, the device turns on a pull-down transistor (Q1) for 16 state times. This enables the RESET# signal to function as the system reset.

The simplest way to reset the device is to insert a capacitor between the RESET# pin and V_{SS} , as shown in Figure 13-9. The device has an internal pull-up (R_{RST}) (Figure 13-8). RESET# should remain asserted for at least one state time after V_{CC} and XTAL1 have stabilized and met the operating conditions specified in the datasheet. A capacitor of 4.7 μF or greater should provide sufficient reset time, as long as V_{CC} rises quickly.

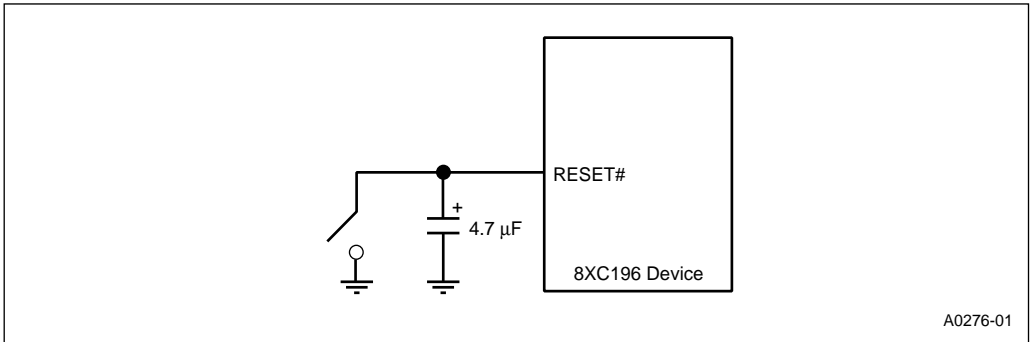


Figure 13-9. Minimum Reset Circuit

The other devices may not be reset because the capacitor will keep the voltage above V_{IL} . Since RESET# is asserted for only 16 state times, it may be necessary to lengthen and buffer the system-reset pulse. Figure 13-10 shows an example of a system-reset circuit. In this example, D2 creates a wired-OR gate connection to the reset pin. An internal reset, system power-up, or SW1 closing will generate the system-reset signal.

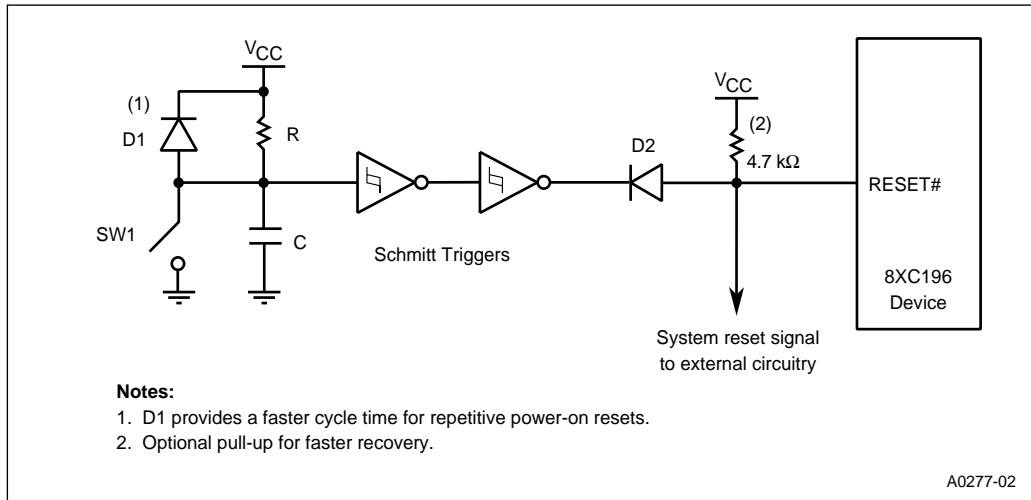


Figure 13-10. Example System Reset Circuit

13.5.2 Issuing the Reset (RST) Instruction

The RST instruction (opcode FFH) resets the device by pulling RESET# low for 16 state times. It also clears the processor status word (PSW), sets the master program counter (PC) to 2080H, and resets the special function registers (SFRs). See Table C-2 on page C-2 for the reset values of the SFRs.

Putting pull-ups on the address/data bus causes unimplemented areas of memory to be read as FFH. If unused internal OTPROM memory is set to FFH, then execution from any unused memory locations will reset the device.

13.5.3 Issuing an Illegal IDLPD Key Operand

The device resets itself if an illegal key operand is used with the idle/powerdown (IDLPD) command. The legal keys are “1” for idle mode and “2” for powerdown mode. If any other value is used, the device executes a reset sequence. (See Appendix A for a description of the IDLPD command.)

13.5.4 Enabling the Watchdog Timer

The watchdog timer (WDT) is a 16-bit counter that resets the device when the counter overflows (every 64K state times). The WDE bit (bit 3) of CCR1 controls whether the watchdog is enabled immediately or is disabled until the first time it is cleared. Clearing WDE activates the watchdog. Setting WDE makes the watchdog timer inactive, but you can activate it by clearing the watchdog register. Once the watchdog is activated, only a reset can disable it.

You must write two consecutive bytes to the watchdog register (location 0AH) to clear it. The first byte must be 1EH and the second must be E1H. We recommend that you disable interrupts before writing to the watchdog register. If an interrupt occurs between the two writes, the watchdog register will not be cleared.

If enabled, the watchdog continues to run in idle mode. The device must be awakened within 64K state times to clear the watchdog; otherwise, the watchdog will reset the device, which causes it to exit idle mode.

13.5.5 Detecting Oscillator Failure

The ability to sense an oscillator failure is important in safety-sensitive applications. This device provides a feature that can detect a failed oscillator and reset itself. Low-frequency oscillation, typically 100 KHz or below, is sensed as a failure. If enabled, the oscillator fail detect (OFD) circuitry resets the device in the event of an oscillator failure. This feature is enabled by programming the OFD bit (bit 0) in the USFR. (See “Enabling the Oscillator Failure Detection Circuitry” on page 16-8 for details.)



14

Special Operating Modes



CHAPTER 14

SPECIAL OPERATING MODES

The 8XC196Kx, Jx, and CA have two power saving modes: idle and powerdown. They also provide an on-circuit emulation (ONCE) mode that electrically isolates the device from the other system components. This chapter describes each mode and explains how to enter and exit each. (Refer to Appendix A for descriptions of the instructions discussed in this chapter, to Appendix B for descriptions of signal status during each mode, and to Appendix C for details about the registers.)

14.1 SPECIAL OPERATING MODE SIGNALS AND REGISTERS

Table 14-1 lists the signals and Table 14-2 lists the registers that are mentioned in this chapter.

Table 14-1. Operating Mode Control Signals

Port Pin	Signal Name	Type	Description
P2.7	CLKOUT	O	Clock Output NOTE: Output of the internal clock generator. The CLKOUT frequency is ½ the oscillator input frequency (XTAL1). CLKOUT has a 50% duty cycle.
P2.2	EXTINT	I	External Interrupt In normal operating mode, a rising edge on EXTINT sets the EXTINT interrupt pending bit. EXTINT is sampled during phase 2 (CLKOUT high). The minimum high time is one state time. If the chip is in idle mode and if EXTINT is enabled, a rising edge on EXTINT brings the chip back to normal operation, where the first action is to execute the EXTINT service routine. After completion of the service routine, execution resumes at the the IDLPD instruction following the one that put the device into idle mode. In powerdown mode, asserting EXTINT causes the chip to return to normal operating mode. If EXTINT is enabled, the EXTINT service routine is executed. Otherwise, execution continues at the instruction following the IDLPD instruction that put the device into powerdown mode.
P5.4 (KR, KQ) P2.6 (Jx, CA, KT, KS)	ONCE#	I	On-circuit Emulation Holding ONCE# low during the rising edge of RESET# places the device into on-circuit emulation (ONCE) mode. This mode puts all pins into a high-impedance state, thereby isolating the device from other components in the system. The value of ONCE# is latched when the RESET# pin goes inactive. While the device is in ONCE mode, you can debug the system using a clip-on emulator. To exit ONCE mode, reset the device by pulling the RESET# signal low. To prevent inadvertent entry into ONCE mode, configure this pin as an output.

Table 14-1. Operating Mode Control Signals (Continued)

Port Pin	Signal Name	Type	Description
P5.4 (CA, KT, KS) P2.6 (KR, KQ)	Test-mode entry	I/O	Test-mode entry If this pin is held low during reset, the device will enter a reserved test mode, so exercise caution if you use this pin for input. If you choose to configure this pin as an input, always hold it high during reset and ensure that your system meets the V_{IH} specification (see datasheet) to prevent inadvertent entry into a test mode.
—	RESET#	I/O	Reset A level-sensitive reset input to and open-drain system reset output from the microcontroller. Either a falling edge on RESET# or an internal reset turns on a pull-down transistor connected to the RESET pin for 16 state times. In the powerdown and idle modes, asserting RESET# causes the chip to reset and return to normal operating mode. The microcontroller resets to 2080H.
—	V_{PP}	PWR	Programming Voltage During programming, the V_{PP} pin is typically at +12.5 V (V_{PP} voltage). Exceeding the maximum V_{PP} voltage specification can damage the device. V_{PP} also causes the device to exit powerdown mode when it is driven low for at least 50 ns. Use this method to exit powerdown only when using an external clock source because it enables the internal phase clocks, but not the internal oscillator. On devices with no internal nonvolatile memory, connect V_{PP} to V_{CC} .

Table 14-2. Operating Mode Control and Status Registers

Mnemonic	Address	Description
CCR0	2018H	Chip Configuration 0 Register Bit 0 of this register enables and disables powerdown mode.
INT_MASK1	0013H	Interrupt Mask 1 Bit 6 of this 8-bit register enables and disables (masks) the external interrupt (EXTINT).
INT_PEND1	0012H	Interrupt Pending 1 When set, bit 6 of this register indicates a pending external interrupt.
P2_DIR P5_DIR	1FCBH 1FF3H	Port x Direction Each bit of Px_DIR controls the direction of the corresponding pin. Clearing a bit configures a pin as a complementary output; setting a bit configures a pin as an input or open-drain output. (Open-drain outputs require external pull-ups.)
P2_MODE P5_MODE	1FC9H 1FF1H	Port x Mode Each bit of Px_MODE controls whether the corresponding pin functions as a standard I/O port pin or as a special-function signal. Setting a bit configures a pin as a special-function signal; clearing a bit configures a pin as a standard I/O port pin.

14.2 REDUCING POWER CONSUMPTION

Both power-saving modes conserve power by disabling portions of the internal clock circuitry (Figure 14-1). The following paragraphs describe both modes in detail.

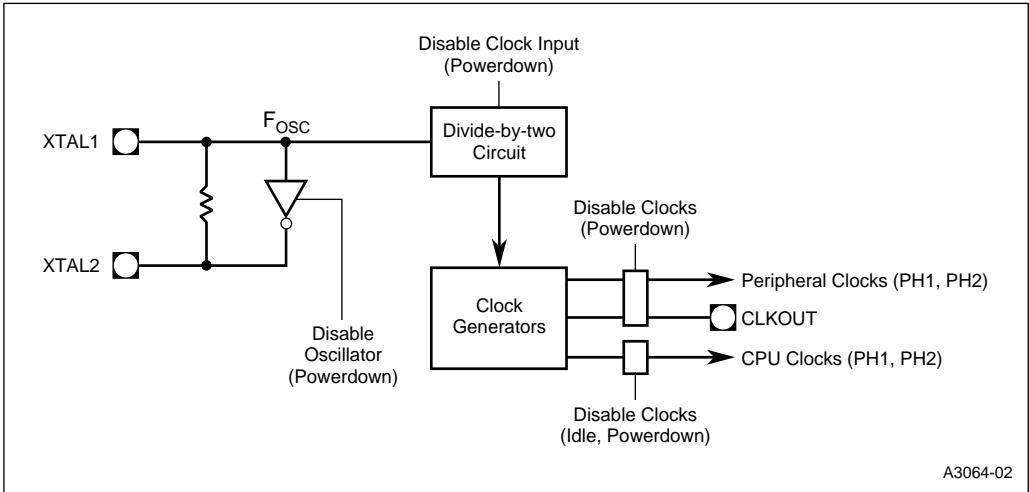


Figure 14-1. Clock Control During Power-saving Modes

14.3 IDLE MODE

In idle mode, the device’s power consumption decreases to approximately 40% of normal consumption. Internal logic holds the CPU clocks at logic zero, causing the CPU to stop executing instructions. Neither the peripheral clocks nor CLKOUT are affected, so the special-function registers (SFRs) and register RAM retain their data and the peripherals and interrupt system remain active. Tables in Appendix B list the values of the pins during idle mode (see Table B-8 on page B-20 for the 8XC196Kx, Table B-9 on page B-21 for the 8XC196Jx, or Table B-10 on page B-22 for the 87C196CA).

The device enters idle mode after executing the IDLPD #1 instruction. Either an interrupt or a hardware reset will cause the device to exit idle mode. Any enabled interrupt source, either internal or external, can cause the device to exit idle mode. When an interrupt occurs, the CPU clocks restart and the CPU executes the corresponding interrupt service or PTS routine. When the routine is complete, the CPU fetches and then executes the instruction that follows the IDLPD #1 instruction.

NOTE

If enabled, the watchdog timer continues to run in idle mode. The device must be awakened within every 64K state times to clear the WATCHDOG register; otherwise, the timer will reset the device.

To prevent an accidental return to full power, hold the external interrupt pin (EXTINT) low while the device is in idle mode.

14.4 POWERDOWN MODE

Powerdown mode places the device into a very low power state by disabling the internal oscillator and clock generators. Internal logic holds the CPU and peripheral clocks at logic zero, which causes the CPU to stop executing instructions, the system bus-control signals to become inactive, the CLKOUT signal to become high, and the peripherals to turn off. Power consumption drops into the microwatt range (refer to the datasheet for exact specifications). I_{CC} is reduced to device leakage. Tables in Appendix B list the values of the pins during powerdown mode (see Table B-8 on page B-20 for the 8XC196Kx, Table B-9 on page B-21 for the 8XC196Jx, or Table B-10 on page B-22 for the 87C196CA). If V_{CC} is maintained above the minimum specification, the special-function registers (SFRs) and register RAM retain their data.

14.4.1 Enabling and Disabling Powerdown Mode

Setting the PD bit in the chip-configuration register 0 (CCR0.0) enables powerdown mode. Clearing it disables powerdown. CCR0 is loaded from the chip configuration byte (CCB0) when the device is reset.

14.4.2 Entering Powerdown Mode

Before entering powerdown, complete the following tasks:

- Complete all serial port transmissions or receptions. Otherwise, when the device exits powerdown, the serial port activity will continue where it left off and incorrect data may be transmitted or received.
- Complete all analog conversions. If powerdown occurs during the conversion, the result will be incorrect.
- If the watchdog timer (WDT) is enabled, clear the WATCHDOG register just before issuing the powerdown instruction. This ensures that the device can exit powerdown cleanly. Otherwise, the WDT could reset the device before the oscillator stabilizes. (The WDT cannot reset the device during powerdown because the clock is stopped.)
- Put all other peripherals into an inactive state.
- **8XC196Kx**: To allow other devices to control the bus while the microcontroller is in powerdown, assert HLDA#. Do this only if the routines for entering and exiting powerdown do not require access to external memory.

After completing these tasks, execute the IDLPD #2 instruction to enter powerdown mode.

NOTE

To prevent an accidental return to full power, hold the external interrupt pin (EXTINT) low while the device is in powerdown mode.

14.4.3 Exiting Powerdown Mode

The device will exit powerdown mode when one of the following events occurs:

- an external device drives the V_{pp} pin low for at least 50 ns,
- a hardware reset is generated,
- or a transition occurs on the external interrupt pin.

14.4.3.1 Driving the V_{pp} Pin Low

If the design uses an external clock input signal rather than the on-chip oscillator, the fastest way to exit powerdown mode is to drive the V_{pp} pin low for at least 50 ns. Use this method **only** when using an external clock input because the internal CPU and peripheral clocks will be enabled, but not the internal oscillator.

14.4.3.2 Generating a Hardware Reset

The device will exit powerdown if RESET# is asserted. If the design uses an external clock input signal rather than the on-chip oscillator, RESET# must remain low for at least 16 state times. If the design uses the on-chip oscillator, then RESET# must be held low until the oscillator has stabilized.

14.4.3.3 Asserting the External Interrupt Signal

The final way to exit powerdown mode is to assert the external interrupt signal (EXTINT) for at least 50 ns. Although EXTINT is normally a sampled input, the powerdown circuitry uses it as a level-sensitive input. The interrupt need not be enabled to bring the device out of powerdown, but the pin must be configured as a special-function input (see “Bidirectional Port Pin Configurations” on page 6-10). Figure 14-2 shows the power-up and powerdown sequence when using an external interrupt to exit powerdown.

When an external interrupt brings the device out of powerdown mode, the corresponding pending bit is set in the interrupt pending register. If the interrupt is enabled, the device executes the interrupt service routine, then fetches and executes the instruction following the IDLPD #2 instruction. If the interrupt is disabled (masked), the device fetches and executes the instruction following the IDLPD #2 instruction and the pending bit remains set until the interrupt is serviced or software clears the pending bit.

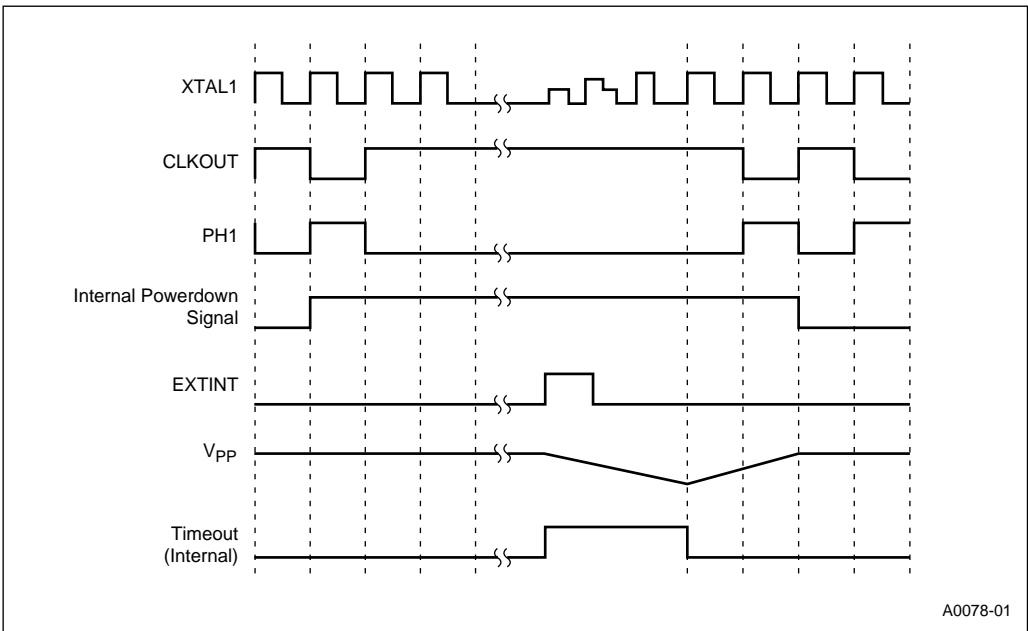


Figure 14-2. Power-up and Powerdown Sequence When Using an External Interrupt

When using an external interrupt signal to exit powerdown mode, we recommend that you connect the external RC circuit shown in Figure 14-3 to the V_{PP} pin. The discharging of the capacitor causes a delay that allows the oscillator to stabilize before the internal CPU and peripheral clocks are enabled.

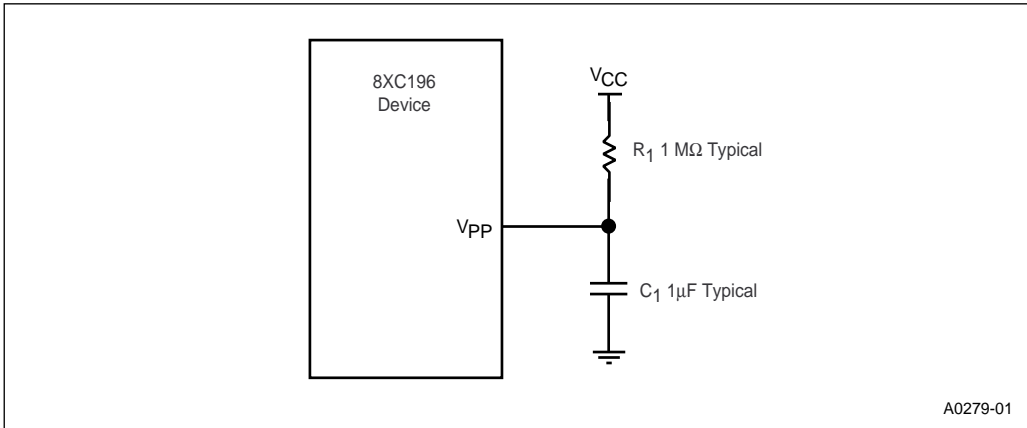


Figure 14-3. External RC Circuit

During normal operation (before entering powerdown mode), an internal pull-up holds the V_{PP} pin at V_{CC} . When an external interrupt signal is asserted, the internal oscillator circuitry is enabled and turns on a weak internal pull-down. This weak pull-down causes the external capacitor (C_1) to begin discharging at a typical rate of 200 μA . When the V_{PP} pin voltage drops below the threshold voltage (about 2.5 V), the internal phase clocks are enabled and the device resumes code execution.

At this time, the internal pull-up transistor turns on and quickly pulls the pin back up to about 3.5 V. The pull-up becomes ineffective and the external resistor (R_1) takes over and pulls the voltage up to V_{CC} (see recovery time in Figure 14-4). The time constant follows an exponential charging curve. If $C_1 = 1 \mu\text{F}$ and $R_1 = 1 \text{M}\Omega$, the recovery time will be one second.

14.4.3.4 Selecting R_1 and C_1

The values of R_1 and C_1 are not critical. Select components that produce a sufficient discharge time to permit the internal oscillator circuitry to stabilize. Because many factors can influence the discharge time requirement, you should always fully characterize your design under worst-case conditions to verify proper operation.

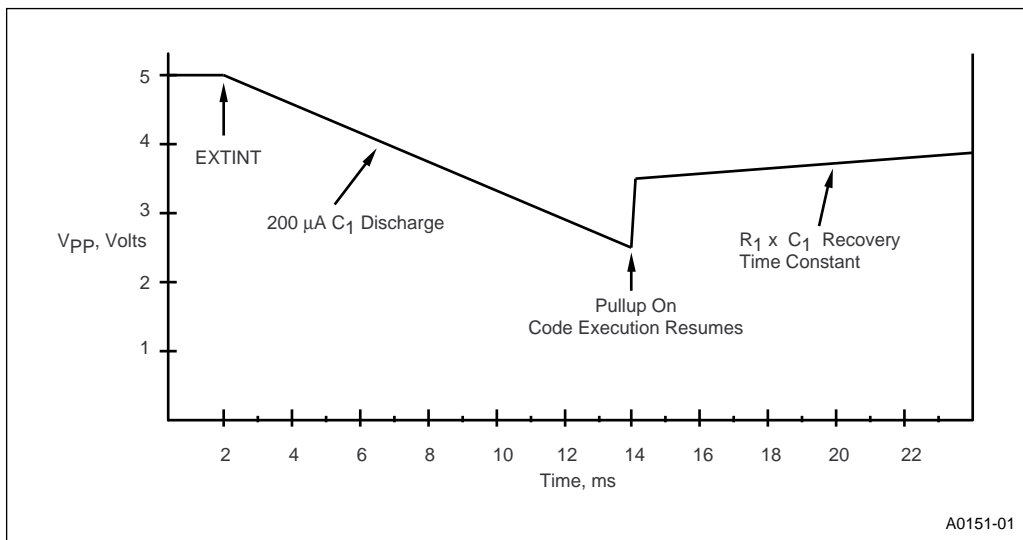


Figure 14-4. Typical Voltage on the V_{PP} Pin While Exiting Powerdown

Select a resistor that will not interfere with the discharge current. In most cases, values between 200 k Ω and 1 M Ω should perform satisfactorily. When selecting the capacitor, determine the worst-case discharge time needed for the oscillator to stabilize, then use this formula to calculate an appropriate value for C₁.

$$C_1 = \frac{T_{DIS} \times I}{V_t}$$

where:

C ₁	is the capacitor value, in farads
T _{DIS}	is the worst-case discharge time, in seconds
I	is the discharge current, in amperes
V _t	is the threshold voltage

NOTE

If powerdown is re-entered and exited before C₁ charges to V_{CC}, it will take less time for the voltage to ramp down to the threshold. Therefore, the device will take less time to exit powerdown.

For example, assume that the oscillator needs at least 12.5 ms to discharge ($T_{DIS} = 12.5 \text{ ms}$), V_t is 2.5 V, and the discharge current is 200 μA . The minimum C_1 capacitor size is 1 μF .

$$C_1 = \frac{0.0125 \times 0.0002}{2.5} = 1 \mu\text{F}$$

When using an external oscillator, the value of C_1 can be very small, allowing rapid recovery from powerdown. For example, a 100 pF capacitor discharges in 1.25 μs .

$$T_{DIS} = \frac{C_1 \times V_t}{I} = \frac{1.0 \times 10^{-10} \times 2.5}{0.0002} = 1.25 \mu\text{s}$$

14.5 ONCE MODE

On-circuit emulation (ONCE) mode isolates the device from other components in the system to allow printed-circuit-board testing or debugging with a clip-on emulator. During ONCE mode, all pins except XTAL1, XTAL2, V_{SS} , and V_{CC} are weakly pulled high or low. During ONCE mode, RESET# must be held high or the device will exit ONCE mode and enter the reset state. Tables in Appendix B list the reset states of the pins (see Table B-8 on page B-20 for the 8XC196Kx, Table B-9 on page B-21 for the 8XC196Jx, or Table B-10 on page B-22 for the 87C196CA).

14.5.1 Entering and Exiting ONCE Mode

Holding the ONCE# signal low during the rising edge of RESET# causes the device to enter ONCE mode. To prevent accidental entry into ONCE mode, we highly recommend configuring this pin as an output. If you choose to configure this pin as an input, always hold it high during reset and ensure that your system meets the V_{IH} specification (see datasheet) to prevent inadvertent entry into ONCE mode. Table 14-3 shows the ONCE# pin multiplexing for each device in the 8XC196Kx, Jx, and CA product families.

Table 14-3. ONCE# Pin Alternate Functions

Device	ONCE# Alternate Functions
8XC196CA	P2.6/HLDA#
8XC196Jx	P2.6/HLDA#
8XC196KQ, KR	P5.4/SLPINT
8XC196KS, KT	P2.6/HLDA#

Exit ONCE mode by asserting the RESET# signal and allowing the ONCE# pin to float or be pulled high. Normal operations resume when RESET# goes high.

14.6 RESERVED TEST MODES

A special test-mode-entry pin (Table 14-4) is provided for Intel's in-house testing only. These test modes can be entered accidentally if you configure the test-mode-entry pin as an input and hold it low during the rising edge of RESET#. To prevent accidental entry into an unsupported test mode, we highly recommend configuring the test-mode-entry pin as an output. If you choose to configure this pin as an input, always hold it high during reset and ensure that your system meets the V_{IH} specification (see datasheet) to prevent inadvertent entry into an unsupported test mode.

Table 14-4. Test-mode-entry Pins

Device	Test-Mode-Entry Pin
8XC196CA	P5.4
8XC196Jx	Not implemented
8XC196KQ, KR	P2.6
8XC196KS, KT	P5.4



15

Interfacing with External Memory



CHAPTER 15

INTERFACING WITH EXTERNAL MEMORY

The device can interface with a variety of external memory devices. It supports either a fixed 8-bit bus width, a fixed 16-bit bus width, or a dynamic 8-bit/16-bit bus width; internal control of wait states for slow external memory devices; a bus-hold protocol that enables external devices to take over the bus; and several bus-control modes. These features provide a great deal of flexibility when interfacing with external memory devices.

In addition to describing the signals and registers related to external memory, this chapter discusses the process of fetching the chip configuration bytes and configuring the external bus. It also provides examples of external memory configurations.

15.1 EXTERNAL MEMORY INTERFACE SIGNALS

Table 15-1 describes the external memory interface signals. For some signals, the pin has an alternate function (shown in the *Multiplexed With* column). In some cases the alternate function is a port signal (e.g., P2.7). Chapter 6, “I/O Ports,” describes how to configure a pin for its I/O port function and for its special function. In other cases, the signal description includes instructions for selecting the alternate function.

Table 15-1. External Memory Interface Signals

Function Name	Type	Description	Multiplexed With
AD15:0	I/O	Address/Data Lines These pins provide a multiplexed address and data bus. During the address phase of the bus cycle, address bits 0–15 are presented on the bus and can be latched using ALE or ADV#. During the data phase, 8- or 16-bit data is transferred. When a bus access is not occurring, these pins revert to their I/O port function.	P4.7:0 P3.7:0
ADV#	O	Address Valid This active-low output signal is asserted only during external memory accesses. ADV# indicates that valid address information is available on the system address/data bus. The signal remains low while a valid bus cycle is in progress and is returned high as soon as the bus cycle completes. An external latch can use this signal to demultiplex the address from the address/data bus. A decoder can also use this signal to generate chip selects for external memory.	ALE/P5.0

Table 15-1. External Memory Interface Signals (Continued)

Function Name	Type	Description	Multiplexed With																				
ALE	O	<p>Address Latch Enable</p> <p>This active-high output signal is asserted only during external memory cycles. ALE signals the start of an external bus cycle and indicates that valid address information is available on the system address/data bus. ALE differs from ADV# in that it does not remain active during the entire bus cycle.</p> <p>An external latch can use this signal to demultiplex the address from the address/data bus.</p>	ADV#/P5.0																				
BHE# [†]	O	<p>Byte High Enable</p> <p>The chip configuration register 0 (CCR0) determines whether this pin functions as BHE# or WRH#. CCR0.2=1 selects BHE#; CCR0.2=0 selects WRH#.</p> <p>During 16-bit bus cycles, this active-low output signal is asserted for word reads and writes and high-byte reads and writes to external memory. BHE# indicates that valid data is being transferred over the upper half of the system data bus. BHE#, in conjunction with AD0, indicates the memory byte that is being transferred over the system bus:</p> <table border="1"> <thead> <tr> <th>BHE#</th> <th>AD0</th> <th>Byte(s) Accessed</th> </tr> </thead> <tbody> <tr> <td>0</td> <td>0</td> <td>both bytes</td> </tr> <tr> <td>0</td> <td>1</td> <td>high byte only</td> </tr> <tr> <td>1</td> <td>0</td> <td>low byte only</td> </tr> </tbody> </table> <p>[†] This pin is not implemented on the 8XC196Jx device.</p>	BHE#	AD0	Byte(s) Accessed	0	0	both bytes	0	1	high byte only	1	0	low byte only	P5.5/WRH#								
BHE#	AD0	Byte(s) Accessed																					
0	0	both bytes																					
0	1	high byte only																					
1	0	low byte only																					
BREQ# [†]	O	<p>Bus Request</p> <p>This active-low output signal is asserted during a hold cycle when the bus controller has a pending external memory cycle.</p> <p>The device can assert BREQ# at the same time as or after it asserts HLDA#. Once it is asserted, BREQ# remains asserted until HOLD# is removed.</p> <p>You must enable the bus-hold protocol before using this signal (see "Enabling the Bus-hold Protocol (8XC196Kx Only)" on page 15-18).</p> <p>[†] This pin is not implemented on the 87C196CA, 8XC196Jx devices.</p>	P2.3																				
BUSWIDTH [†]	I	<p>Bus Width</p> <p>The chip configuration register bits, CCR0.1 and CCR1.2, along with the BUSWIDTH pin, control the data bus width. When both CCR bits are set, the BUSWIDTH signal selects the external data bus width. When only one CCR bit is set, the bus width is fixed at either 16 or 8 bits, and the BUSWIDTH signal has no effect.</p> <table border="1"> <thead> <tr> <th>CCR0.1</th> <th>CCR1.2</th> <th>BUSWIDTH</th> <th></th> </tr> </thead> <tbody> <tr> <td>0</td> <td>1</td> <td>N/A</td> <td>fixed 8-bit data bus</td> </tr> <tr> <td>1</td> <td>0</td> <td>N/A</td> <td>fixed 16-bit data bus</td> </tr> <tr> <td>1</td> <td>1</td> <td>high</td> <td>16-bit data bus</td> </tr> <tr> <td>1</td> <td>1</td> <td>low</td> <td>8-bit data bus</td> </tr> </tbody> </table> <p>[†] This pin is not implemented on the 87C196CA, 8XC196Jx devices.</p>	CCR0.1	CCR1.2	BUSWIDTH		0	1	N/A	fixed 8-bit data bus	1	0	N/A	fixed 16-bit data bus	1	1	high	16-bit data bus	1	1	low	8-bit data bus	P5.7
CCR0.1	CCR1.2	BUSWIDTH																					
0	1	N/A	fixed 8-bit data bus																				
1	0	N/A	fixed 16-bit data bus																				
1	1	high	16-bit data bus																				
1	1	low	8-bit data bus																				

Table 15-1. External Memory Interface Signals (Continued)

Function Name	Type	Description	Multiplexed With
CLKOUT	O	<p>Clock Output</p> <p>Output of the internal clock generator. The CLKOUT frequency is ½ the oscillator frequency input (XTAL1). CLKOUT has a 50% duty cycle.</p>	P2.7
EA#	I	<p>External Access</p> <p>EA# is sampled and latched only on the rising edge of RESET#. Changing the level of EA# after reset has no effect. Accesses to special-purpose and program memory partitions are directed to internal memory if EA# is held high and to external memory if EA# is held low. (See Table 4-1 on page 4-2 for address ranges of special-purpose and program memory partitions.)</p> <p>EA# also controls program mode entry. If EA# is at V_{pp} voltage (typically +12.5 V) on the rising edge of RESET#, the device enters programming mode.</p> <p>NOTE: When EA# is active, ports 3 and 4 will function only as the address/data bus. They cannot be used for standard I/O.</p> <p>On devices with no internal nonvolatile memory, always connect EA# to V_{SS}.</p>	—
HLDA# [†]	O	<p>Bus Hold Acknowledge</p> <p>This active-low output indicates that the CPU has released the bus as the result of an external device asserting HOLD#.</p> <p>[†] The P2.6 pin does not function as HLDA# on the 87C196CA, 8XC196Jx devices.</p>	P2.6
HOLD# [†]	I	<p>Bus Hold Request</p> <p>An external device uses this active-low input signal to request control of the bus. This pin functions as HOLD# only if the pin is configured for its special function (see “Bidirectional Port Pin Configurations” on page 6-10) and the bus-hold protocol is enabled. Setting bit 7 of the window selection register enables the bus-hold protocol.</p> <p>[†] This pin is not implemented on the 87C196CA, 8XC196Jx devices.</p>	P2.5
INTOUT# [†]	O	<p>Interrupt Output</p> <p>This active-low output indicates that a pending interrupt requires use of the external bus.</p> <p>[†] This pin is not implemented on the 87C196CA, 8XC196Jx devices.</p>	AINC#/P2.4
INST [†]	O	<p>Instruction Fetch</p> <p>This active-high output signal is valid only during external memory bus cycles. When high, INST indicates that an instruction is being fetched from external memory. The signal remains high during the entire bus cycle of an external instruction fetch. INST is low for data accesses, including interrupt vector fetches and chip configuration byte reads. INST is low during internal memory fetches.</p> <p>[†] This pin is not implemented on the 87C196CA, 8XC196Jx devices.</p>	P5.1
RD#	O	<p>Read</p> <p>Read-signal output to external memory. RD# is asserted only during external memory reads.</p>	P5.3

Table 15-1. External Memory Interface Signals (Continued)

Function Name	Type	Description	Multiplexed With
READY [†]	I	Ready Input This active-high input signal is used to lengthen external memory cycles for slow memory by generating wait states in addition to the wait states that are generated internally. When READY is high, CPU operation continues in a normal manner with wait states inserted as programmed in the chip configuration registers. READY is ignored for all internal memory accesses. [†] This pin is not implemented on the 8XC196Jx device.	P5.6
WR#	O	Write The chip configuration register 0 (CCR0) determines whether this pin functions as WR# or WRL#. CCR0.2=1 selects WR#; CCR0.2=0 selects WRL#. This active-low output indicates that an external write is occurring. This signal is asserted only during external memory writes.	P5.2/WRL#
WRH# [†]	O	Write High The chip configuration register 0 (CCR0) determines whether this pin functions as BHE# or WRH#. CCR0.2=1 selects BHE; CCR0.2=0 selects WRH#. During 16-bit bus cycles, this active-low output signal is asserted for high-byte writes and word writes to external memory. During 8-bit bus cycles, WRH# is asserted for all write operations. [†] This pin is not implemented on the 87C196CA, 8XC196Jx devices.	P5.5/BHE#
WRL#	O	Write Low The chip configuration register 0 (CCR0) determines whether this pin functions as WR# or WRL#. CCR0.2=1 selects WR#; CCR0.2=0 selects WRL#. During 16-bit bus cycles, this active-low output signal is asserted for low-byte writes and word writes. During 8-bit bus cycles, WRL# is asserted for all write operations.	P5.2/WR#

15.2 CHIP CONFIGURATION REGISTERS AND CHIP CONFIGURATION BYTES

Two chip configuration registers (CCRs) have bits that set parameters for chip operation and external bus cycles. The CCRs cannot be accessed by code. They are loaded from the chip configuration bytes (CCBs), which have addresses 2018H (CCB0) and 201AH (CCB1).

When the device returns from reset, the bus controller fetches the CCBs and loads them into the CCRs. From this point, these CCR bit values define the chip configuration until the device is reset again. The CCR bits are described in Figures 15-1 and 15-2.

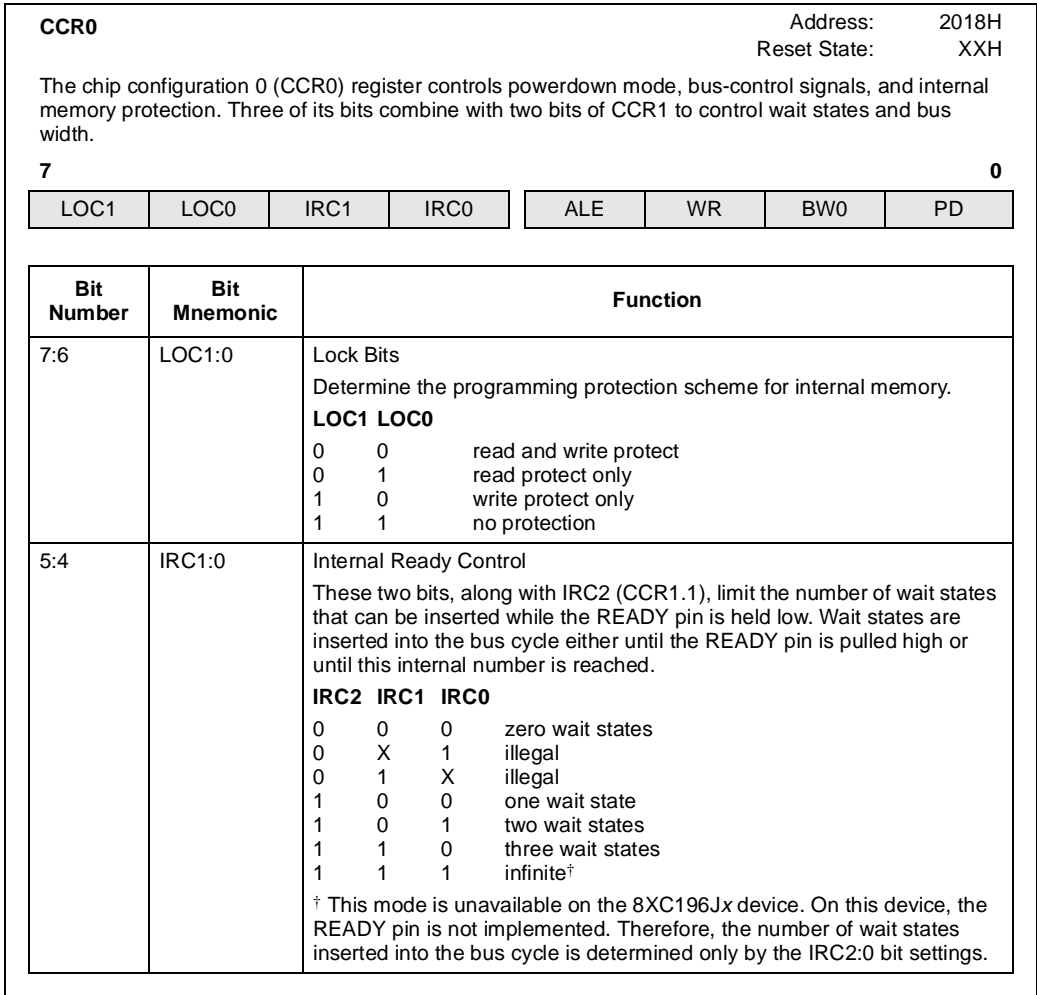


Figure 15-1. Chip Configuration 0 (CCR0) Register

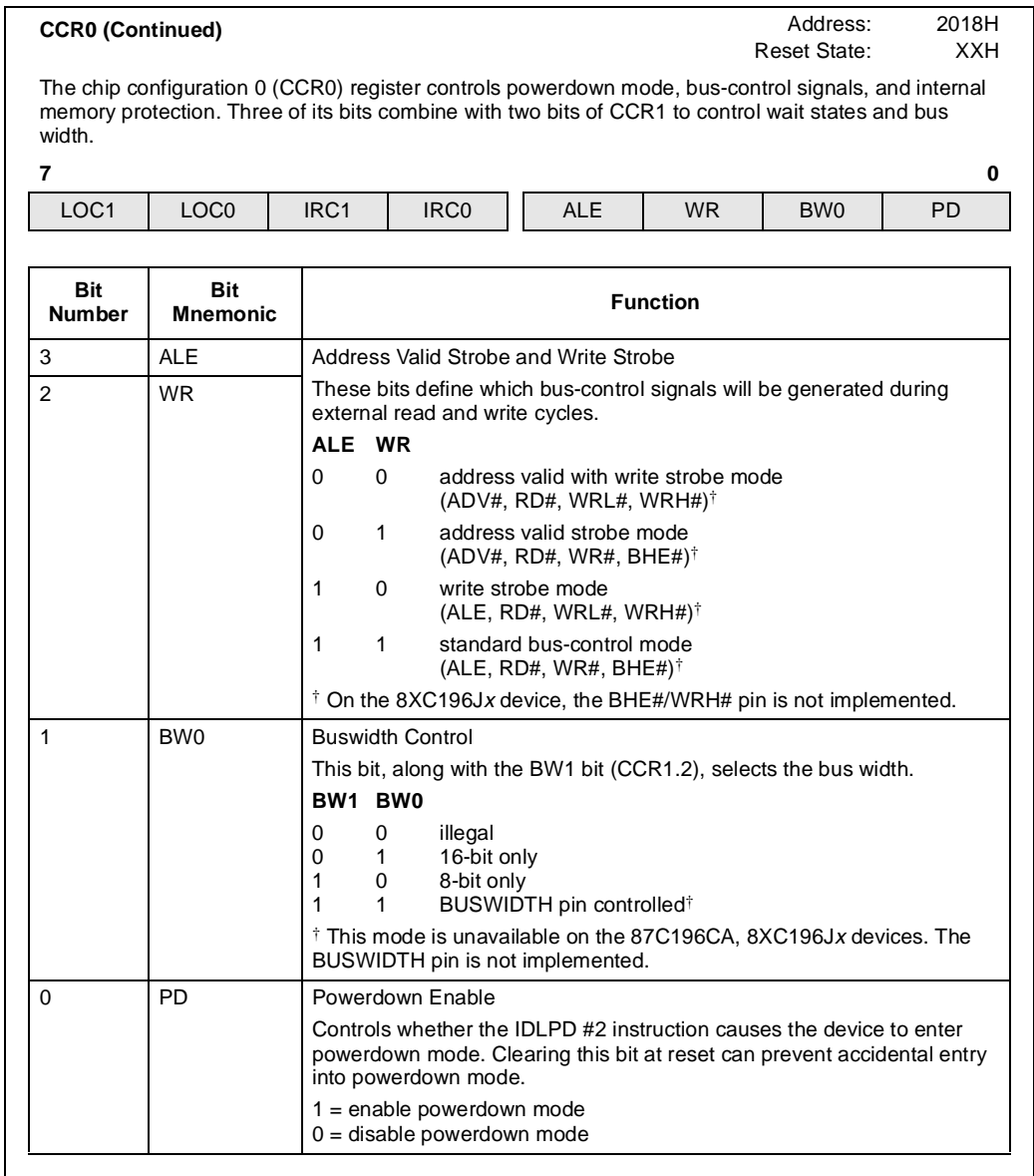


Figure 15-1. Chip Configuration 0 (CCR0) Register (Continued)

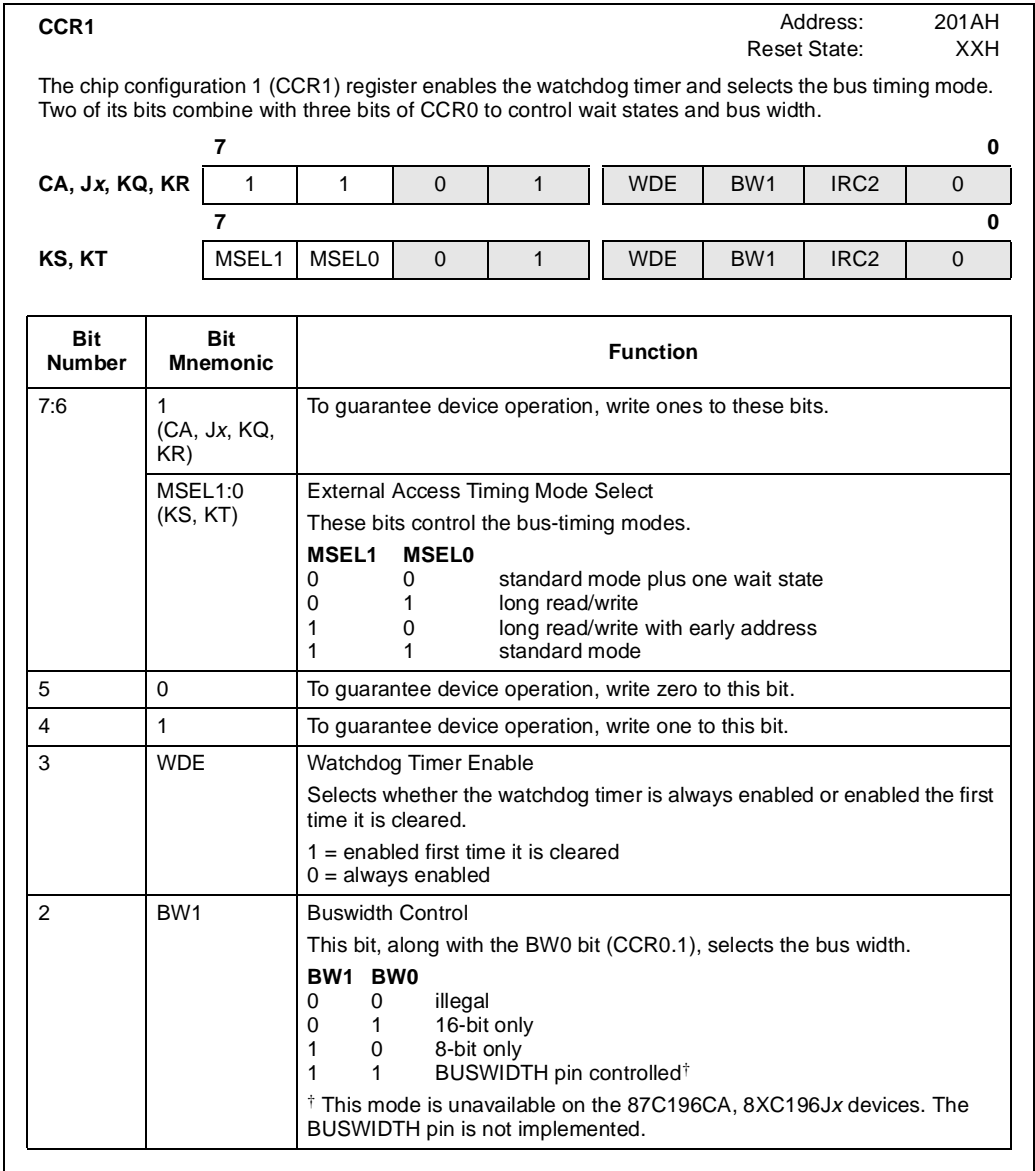


Figure 15-2. Chip Configuration 1 (CCR1) Register

CCR1 (Continued)		Address: 201AH								
		Reset State: XXH								
<p>The chip configuration 1 (CCR1) register enables the watchdog timer and selects the bus timing mode. Two of its bits combine with three bits of CCR0 to control wait states and bus width.</p>										
7	0									
CA, Jx, KQ, KR	<table border="1" style="display: inline-table; border-collapse: collapse;"> <tr> <td style="width: 20px; text-align: center;">1</td> <td style="width: 20px; text-align: center;">1</td> <td style="width: 20px; text-align: center;">0</td> <td style="width: 20px; text-align: center;">1</td> </tr> </table>	1	1	0	1	<table border="1" style="display: inline-table; border-collapse: collapse;"> <tr> <td style="width: 40px; text-align: center;">WDE</td> <td style="width: 40px; text-align: center;">BW1</td> <td style="width: 40px; text-align: center;">IRC2</td> <td style="width: 40px; text-align: center;">0</td> </tr> </table>	WDE	BW1	IRC2	0
1	1	0	1							
WDE	BW1	IRC2	0							
7	0									
KS, KT	<table border="1" style="display: inline-table; border-collapse: collapse;"> <tr> <td style="width: 20px; text-align: center;">MSEL1</td> <td style="width: 20px; text-align: center;">MSEL0</td> <td style="width: 20px; text-align: center;">0</td> <td style="width: 20px; text-align: center;">1</td> </tr> </table>	MSEL1	MSEL0	0	1	<table border="1" style="display: inline-table; border-collapse: collapse;"> <tr> <td style="width: 40px; text-align: center;">WDE</td> <td style="width: 40px; text-align: center;">BW1</td> <td style="width: 40px; text-align: center;">IRC2</td> <td style="width: 40px; text-align: center;">0</td> </tr> </table>	WDE	BW1	IRC2	0
MSEL1	MSEL0	0	1							
WDE	BW1	IRC2	0							

Bit Number	Bit Mnemonic	Function																																
1	IRC2	Ready Control This bit, along with IRC0 (CCR0.4) and IRC1 (CCR0.5), limits the number of wait states that can be inserted while the READY pin is held low. Wait states are inserted into the bus cycle either until the READY pin is pulled high or until this internal number is reached. <table border="1" style="margin-top: 5px; border-collapse: collapse;"> <thead> <tr> <th style="width: 10%;">IRC2</th> <th style="width: 10%;">IRC1</th> <th style="width: 10%;">IRC0</th> <th style="width: 70%;">Function</th> </tr> </thead> <tbody> <tr> <td style="text-align: center;">0</td> <td style="text-align: center;">0</td> <td style="text-align: center;">0</td> <td>zero wait states</td> </tr> <tr> <td style="text-align: center;">0</td> <td style="text-align: center;">X</td> <td style="text-align: center;">1</td> <td>illegal</td> </tr> <tr> <td style="text-align: center;">0</td> <td style="text-align: center;">1</td> <td style="text-align: center;">X</td> <td>illegal</td> </tr> <tr> <td style="text-align: center;">1</td> <td style="text-align: center;">0</td> <td style="text-align: center;">0</td> <td>one wait state</td> </tr> <tr> <td style="text-align: center;">1</td> <td style="text-align: center;">0</td> <td style="text-align: center;">1</td> <td>two wait states</td> </tr> <tr> <td style="text-align: center;">1</td> <td style="text-align: center;">1</td> <td style="text-align: center;">0</td> <td>three wait states</td> </tr> <tr> <td style="text-align: center;">1</td> <td style="text-align: center;">1</td> <td style="text-align: center;">1</td> <td>infinite[†]</td> </tr> </tbody> </table> <p>[†] This mode is unavailable on the 8XC196Jx device. On this device, the READY pin is not implemented. Therefore, the number of wait states inserted into the bus cycle is determined only by the IRC2:0 bit settings.</p>	IRC2	IRC1	IRC0	Function	0	0	0	zero wait states	0	X	1	illegal	0	1	X	illegal	1	0	0	one wait state	1	0	1	two wait states	1	1	0	three wait states	1	1	1	infinite [†]
IRC2	IRC1	IRC0	Function																															
0	0	0	zero wait states																															
0	X	1	illegal																															
0	1	X	illegal																															
1	0	0	one wait state																															
1	0	1	two wait states																															
1	1	0	three wait states																															
1	1	1	infinite [†]																															
0	—	Reserved; always write as zero.																																

Figure 15-2. Chip Configuration 1 (CCR1) Register (Continued)

15.3 BUS WIDTH AND MULTIPLEXING

The external bus can operate as either a 16-bit multiplexed address/data bus or as a multiplexed 16-bit address/8-bit data bus (Figure 15-3).

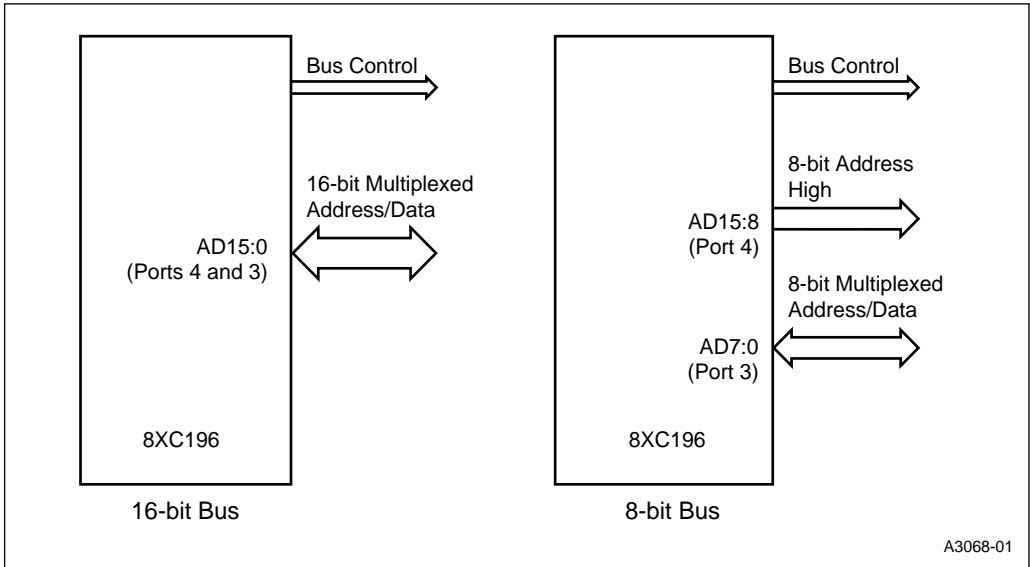


Figure 15-3. Multiplexing and Bus Width Options

After reset, but before the CCB fetch, the device is configured for 8-bit bus mode, regardless of the BUSWIDTH input. The upper address lines (AD15:8) are weakly driven throughout the CCB0 and CCB1 bus cycles. To prevent bus contention, neither pull-ups nor pull-downs should be used on AD15:8. Also, the upper bytes of the CCB words (locations 2019H and 201BH) should be loaded with 20H. If the external memory outputs 20H on its high byte, there will be no bus contention.

After the CCBs are loaded into the CCRs, the values of BW0 and BW1 define the data bus width as either a fixed 8-bit, a fixed 16-bit, or a dynamic 16-bit/8-bit bus width controlled by the BUSWIDTH signal (The BW0 and BW1 bits are defined in Figures 15-1 and 15-2).

If BW0 is clear and BW1 is set, the bus controller is locked into an 8-bit bus mode. In comparing an 8-bit bus system to a 16-bit bus system, expect some performance degradation. In a 16-bit bus system, a word fetch is done with a single word fetch. However, in an 8-bit bus system, a word fetch takes an additional bus cycle because it must be done with two byte fetches.

If BW0 is set and BW1 is clear, the bus controller is locked into a 16-bit bus mode. If both BW0 and BW1 are set, the BUSWIDTH signal controls the bus width. The bus is 16 bits wide when BUSWIDTH is high and 8 bits wide when BUSWIDTH is low. The BUSWIDTH signal is sampled after the address is on the bus, as shown in Figure 15-4.

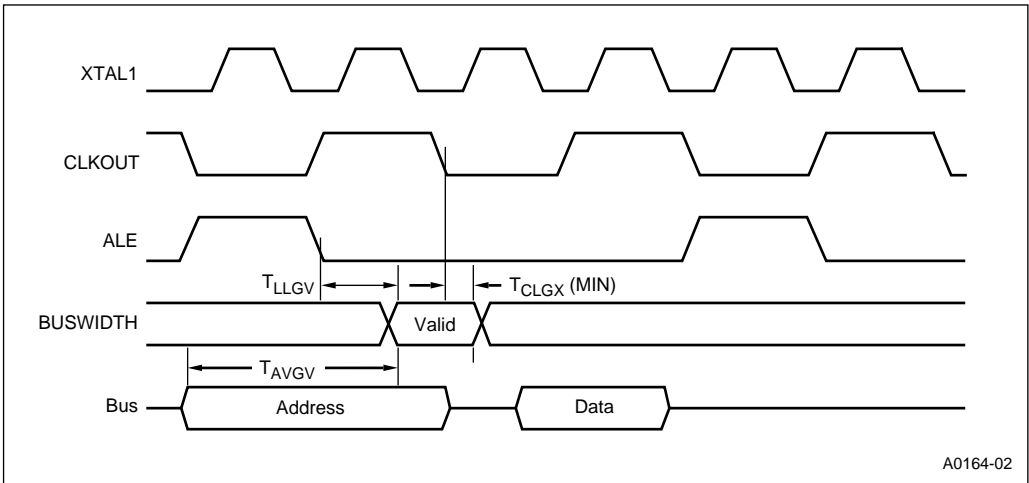


Figure 15-4. BUSWIDTH Timing Diagram

The BUSWIDTH signal can be used in numerous applications. For example, a system could store code in a 16-bit memory device and data in an 8-bit memory device. The BUSWIDTH signal could be tied to the chip-select input of the 8-bit memory device (shown in Figure 15-12 on page 15-23). When BUSWIDTH is low, it enables 8-bit bus mode and selects the 8-bit memory device. When BUSWIDTH is high, it enables 16-bit bus mode and deselects the 8-bit memory device.

15.3.1 Timing Requirements for BUSWIDTH

When using BUSWIDTH to dynamically change between 8-bit and 16-bit bus widths, setup and hold timings must be met for proper operation (see Figure 15-4). Because a decoded, valid address is used to generate the BUSWIDTH signal, the setup time is specified relative to the address being valid. This specification, T_{AVGV} , indicates how much time one has to decode the valid address and generate a valid BUSWIDTH signal.

BUSWIDTH must be held valid until the minimum hold specification, T_{CLGX} , has been met. Typically this hold time is 0 ns minimum after CLKOUT goes low. In all cases, refer to the data sheet for current specifications for T_{AVGV} and T_{CLGX} .

NOTE

Earlier HMOS devices used a BUSWIDTH setup timing that was referenced to the falling edge of ALE (T_{LLGV}). This specification is not meaningful for CMOS devices, which use an internal two-phase clock; it is included for comparison only.

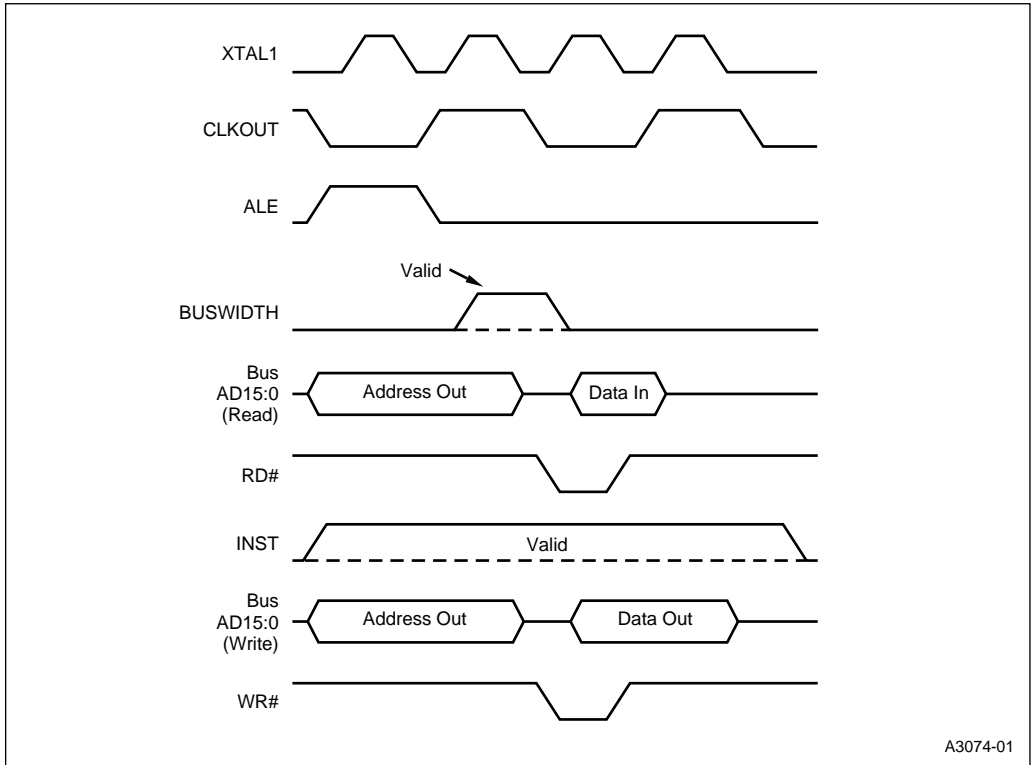
15.3.2 16-bit Bus Timings

When the device is configured to operate in the 16-bit bus-width mode, lines AD15:0 form a 16-bit multiplexed address/data bus. Figure 15-5 shows an idealized timing diagram for the external read and write cycles. (Comprehensive timing specifications are shown in Figure 15-24).

The rising edge of the address latch enable (ALE) indicates that the device is driving an address onto the bus (AD15:0). The device presents a valid address before ALE falls. The ALE signal is used to strobe a transparent latch (such as a 74AC373), which captures the address from AD15:0 and holds it while the bus controller puts data onto AD15:0.

For 16-bit read cycles, the bus controller floats the bus and then drives RD# low so that it can receive data. The external memory must put data (Data In) onto the bus before the rising edge of RD#. The data sheet specifies the maximum time the memory device has to output valid data after RD# is asserted. When INST is asserted, it indicates that the read operation is an instruction fetch.

For 16-bit write cycles, the bus controller drives WR# low, then puts data onto the bus. The rising edge of WR# signifies that data is valid. At this time, the external system must latch the data.



A3074-01

Figure 15-5. Timings for 16-bit Buses

15.3.3 8-bit Bus Timings

When the device is configured to operate in the 8-bit bus mode, lines AD7:0 form a multiplexed lower address and data bus. Lines AD15:8 are not multiplexed; the upper address is latched and remains valid throughout the bus cycle. Figure 15-6 shows an idealized timing diagram for the external read and write cycles. One cycle is required for an 8-bit read or write. A 16-bit access requires two cycles. The first cycle accesses the lower byte, and the second cycle accesses the upper byte. Except for requiring an extra cycle to write the bytes separately, the timings are the same as on the 16-bit bus.

The ALE signal is used to demultiplex the lower address by strobing a transparent latch (such as a 74AC373).

For 8-bit bus read cycles, after ALE falls, the bus controller floats the bus and drives the RD# signal low. The external memory then must put its data on the bus. That data must be valid at the rising edge of the RD# signal. To read a data word, the bus controller performs two consecutive reads, reading the low byte first, followed by the high byte.

For 8-bit bus write cycles, after ALE falls, the bus controller outputs data on AD7:0 and then drives WR# low. The external memory must latch the data by the time WR# goes high. That data will be valid on the bus until slightly after WR# goes high. To write a data word, the bus controller performs two consecutive writes, writing the low byte first, followed by the high byte.

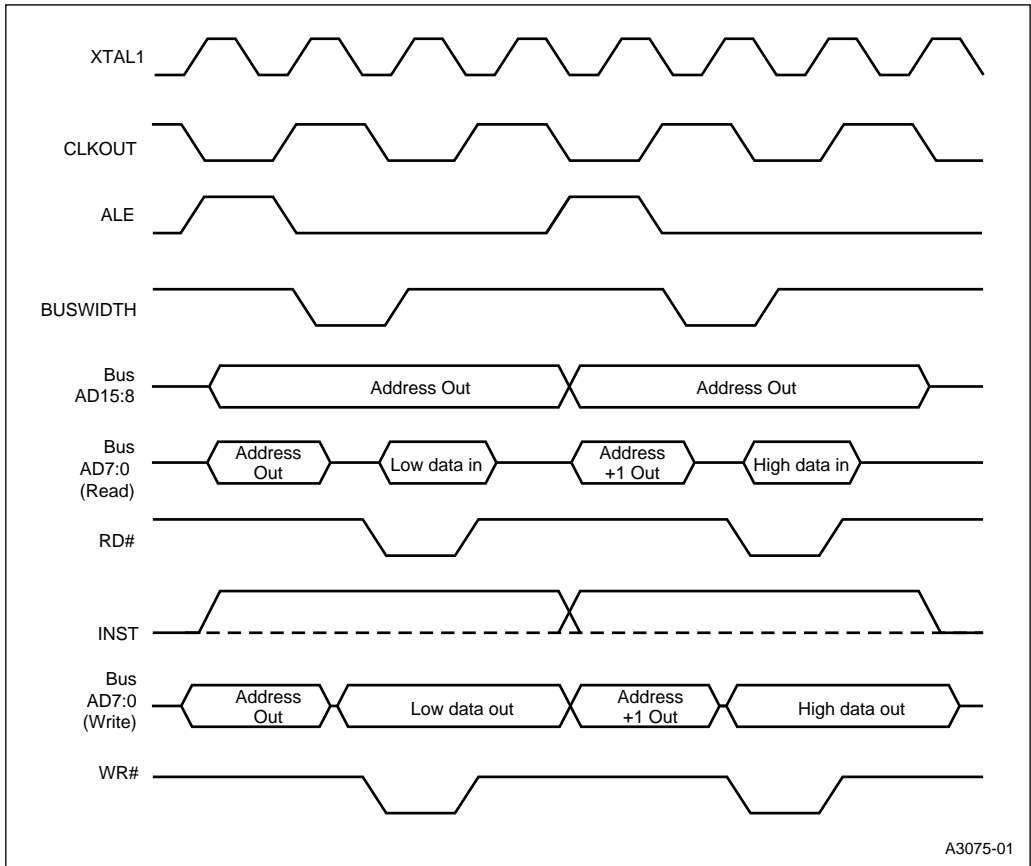


Figure 15-6. Timings for 8-bit Buses

15.4 WAIT STATES (READY CONTROL)

An external device can use the READY input to request wait states in addition to the wait states that are generated internally by the 87C196CA, 8XC196Jx, Kx device. When an address is placed on the bus for an external bus cycle, the external device can pull the READY signal low to indicate it is not ready. In response, the bus controller inserts wait states to lengthen the bus cycle until the external device raises the READY signal. Each wait state adds one CLKOUT period (i.e., one state time or $2T_{OSC}$) to the bus cycle.

After reset and until CCB1 is read, the bus controller always inserts three wait states into bus cycles. Then, until P5.6 has been configured to operate as the READY signal, the internal ready control bits (IRC2:0) control the wait states. If IRC2:0 are all set during CCB0 and CCB1 fetch, READY (P5.6) is configured as a special-function input. **If port 5 is initialized after reset, you must ensure that P5.6 remains configured as the READY input.** If P5.6 is configured as a port pin, the READY input to the device is equal to zero. This will cause an infinite number of wait states to be inserted into bus cycles and the chip to lock up.

After the CCB1 fetch, the internal ready control circuitry allows slow external memory devices to increase the length of the read and write bus cycles. If the external memory device is not ready for access, it pulls the READY signal low and holds it low until it is ready to complete the operation, at which time it releases READY. While READY is low, the bus controller inserts wait states into the bus cycle.

The internal ready control bits (IRC2:0) define the maximum number of wait states that will be inserted. (The IRC2:0 bits are defined in Figures 15-1 and 15-2.) When all three bits are set, the bus controller inserts wait states until the external memory device releases the READY signal. Otherwise, the bus controller inserts wait states until either the external memory device releases the READY signal or the number of wait states equals the number (0, 1, 2, or 3) specified by the CCB bit settings.

When selecting infinite wait states, be sure to add external hardware to count wait states and release READY within a specified period of time. Otherwise, a defective external device could tie up the address/data bus indefinitely.

NOTE

Ready control is valid only for external memory; you cannot add wait states when accessing internal ROM.

Setup and hold timings must be met when using the READY signal to insert wait states into a bus cycle (see Table 15-2 and Figure 15-7). Because a decoded, valid address is used to generate the READY signal, the setup time is specified relative to the address being valid. This specification, T_{AVYV} , indicates how much time one has to decode the address and assert READY after the address is valid. The READY signal must be held valid until the T_{CLYX} timing specification is met. Typically, this is a minimum of 0 ns from the time CLKOUT goes low. Do not exceed the maximum T_{CLYX} specification or additional (unwanted) wait states might be added. In all cases, refer to the data sheets for the current specifications for T_{AVYV} and T_{CLYX} .

Table 15-2. READY Signal Timing Definitions

Symbol	Definition
T_{CLYX}	READY Hold after CLKOUT Low Minimum hold time is typically 0 ns. If maximum specification is exceeded, additional wait states will occur.
T_{AVVY}	Address Valid to READY Setup Maximum time the memory system has to assert READY after the device outputs the address to guarantee that at least one wait state will occur.

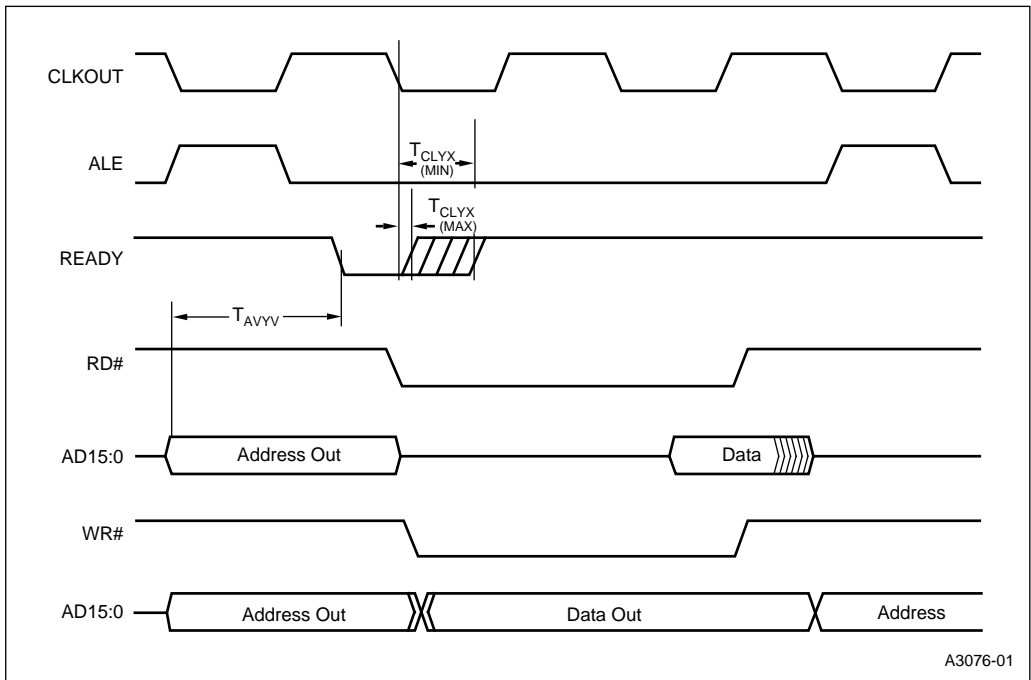


Figure 15-7. READY Timing Diagram

A3076-01

15.5 BUS-HOLD PROTOCOL (8XC196KQ, KR, KS, KT ONLY)

The 8XC196Kx device supports a bus-hold protocol that allows external devices to gain control of the address/data bus. The protocol uses three signals, all of which are port 2 special functions: HOLD#/P2.5 (hold request), HLDA#/P2.6 (hold acknowledge), and BREQ#/P2.3 (bus request). When an external device wants to use the device bus, it asserts the HOLD# signal. HOLD# is sampled while CLKOUT is low. The device responds by releasing the bus and asserting HLDA#. During this hold time, the address/data bus floats, and signals ALE, RD#, WR#/WRL#, BHE#/WRH#, and INST are weakly held in their inactive states. Figure 15-8 shows the timing for bus-hold protocol, and Table 15-3 on page 15-18 lists the timing parameters and their definitions. Refer to the data sheet for timing parameter values.

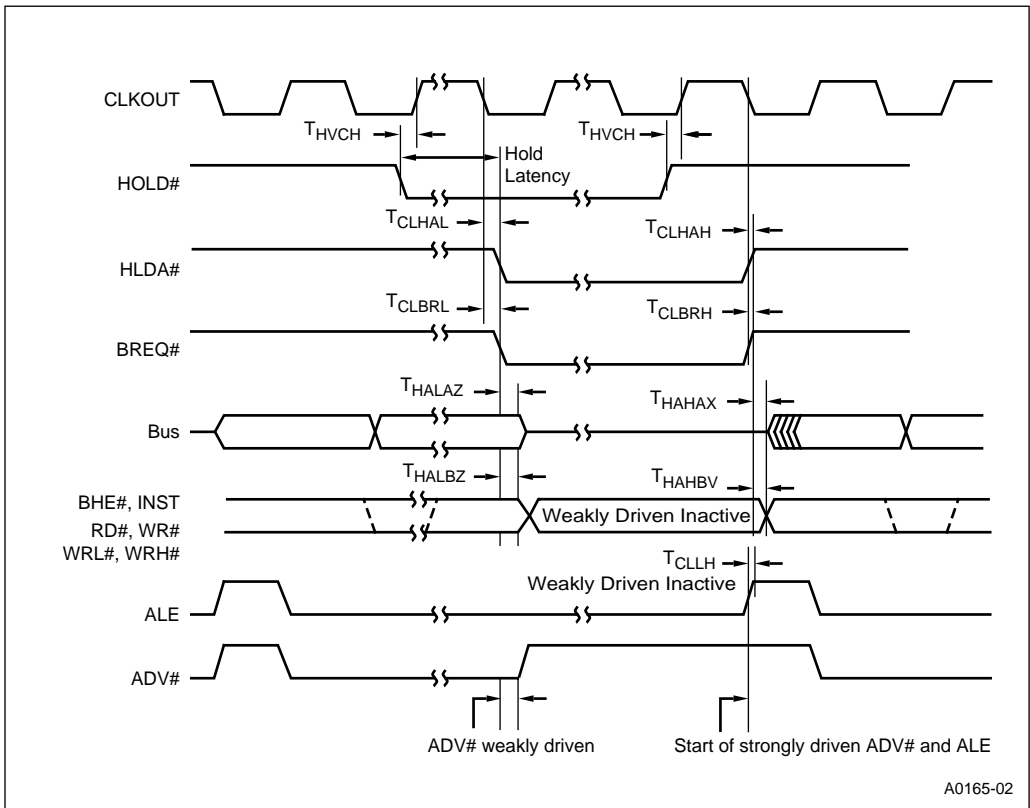


Figure 15-8. HOLD#, HLDA# Timing

Table 15-3. HOLD#, HLDA# Timing Definitions

Symbol	Parameter
T_{HVCH}	HOLD# Setup Time
T_{CLHAL}	CLKOUT Low to HLDA# Low
T_{CLHAH}	CLKOUT Low to HLDA# High
T_{CLBRL}	CLKOUT Low to BREQ# Low
T_{CLBRH}	CLKOUT Low to BREQ# High
T_{HALAZ}	HLDA# Low to Address Float
T_{HAHAX}	HLDA# High to Address No Longer Float
T_{HALBZ}	HLDA# Low to BHE#, INST, RD#, WR#, WRL#, WRH# Weakly Driven
T_{HAHBV}	HLDA# High to BHE#, INST, RD#, WR#, WRL#, WRH# valid
T_{CLLH}	Clock Falling to ALE Rising; Use to derive other timings.

When the external device is finished with the bus, it relinquishes control by driving HOLD# high. In response, the 8XC196Kx drives HLDA# high and assumes control of the bus.

If the 8XC196Kx has a pending external bus cycle while it is in hold, it asserts BREQ# to request control of the bus. After the external device responds by driving HOLD# high, the 8XC196Kx exits hold and then deasserts BREQ# and HLDA#.

NOTE

If the 8XC196Kx receives an interrupt request while it is in hold, the 8XC196Kx asserts INTOUT# only if it is executing from internal memory. If the 8XC196Kx needs to access external memory, it asserts BREQ# and waits until the external device deasserts HOLD# to assert INTOUT#. If the 8XC196Kx receives an interrupt request as it is going into hold (between the time that an external device asserts HOLD# and the time that the 8XC196Kx responds with HLDA#), the 8XC196Kx asserts INTOUT# and keeps it asserted until the external device deasserts HOLD#.

15.5.1 Enabling the Bus-hold Protocol (8XC196Kx Only)

To use the bus-hold protocol, you must configure P2.3/BREQ#, P2.5/HOLD#, and P2.6/HLDA# to operate as special-function signals. BREQ# and HLDA# are active-low outputs; HOLD# is an active-low input.

You must also set the hold enable bit (HLDEN) in the window selection register (WSR.7) to enable the bus-hold protocol. Once the bus-hold protocol has been selected, the port functions of P2.3, P2.5, and P2.6 cannot be selected without resetting the device. (During the time that the pins are configured to operate as special-function signals, their special-function values can be read from the P2_PIN.x bits.) However, the hold function can be dynamically enabled and disabled as described in “Disabling the Bus-hold Protocol (8XC196Kx Only).”

15.5.2 Disabling the Bus-hold Protocol (8XC196Kx Only)

To disable hold requests, clear WSR.7. The device does not take over the bus immediately after HLDEN is cleared. Instead, it waits for the current HOLD# request to finish and then disables the bus-hold feature and ignores any new requests until the bit is set again.

Sometimes it is important to prevent another device from taking control of the bus while a block of code is executing. One way to protect a code segment is to clear WSR.7 and then execute a JBC instruction to check the status of the HLDA# signal. The JBC instruction prevents the RALU from executing the protected block until current HOLD# requests are serviced and the hold feature is disabled. This is illustrated in the following code:

```

DI                                ;Disable interrupts to prevent
                                ;code interruption
PUSH WSR                          ;Disable hold requests and
LDB WSR,#1FH                       ;window Port 2
WAIT: JBC P2_PIN,6, WAIT           ;Check the HLDA# signal. If set,
                                ;add protected instruction here
POP WSR                            ;Enable hold requests
EI                                ;Enable interrupts

```

15.5.3 Hold Latency (8XC196Kx Only)

When an external device asserts HOLD#, the device finishes the current bus cycle and then asserts HLDA#. The time it takes the device to assert HLDA# after the external device asserts HOLD# is called *hold latency* (see Figure 15-8). Table 15-4 lists the maximum hold latency for each type of bus cycle.

Table 15-4. Maximum Hold Latency

Bus Cycle Type	Maximum Hold Latency (state times)
Internal execution or idle mode	1.5
16-bit external execution	2.5 + 1 per wait state
8-bit external execution	2.5 + 2 per wait state

15.5.4 Regaining Bus Control (8XC196Kx Only)

While HOLD# is asserted, the device continues executing code until it needs to access the external bus. If executing from internal memory, it continues until it needs to perform an external memory cycle. If executing from external memory, it continues executing until the queue is empty or until it needs to perform an external data cycle. As soon as it needs to access the external bus, the device asserts BREQ# and waits for the external device to deassert HOLD#. After asserting BREQ#, the device cannot respond to any interrupt requests, including NMI, until the external device deasserts HOLD#. One state time after HOLD# goes high, the device deasserts HLDA# and, with no delay, resumes control of the bus.

If the device is reset while in hold, bus contention can occur. For example, a CPU-only device would try to fetch the chip configuration byte from external memory after RESET# was brought high. Bus contention would occur because both the external device and the device would attempt to access memory. One solution is to use the RESET# signal as the system reset; then all bus masters (including the device) are reset at once. Chapter 13, "Minimum Hardware Considerations," shows system reset circuit examples.

15.6 BUS-CONTROL MODES

The ALE and WR bits (CCR0.3 and CCR0.2) define which bus-control signals will be generated during external read and write cycles. Table 15-5 lists the four bus-control modes and shows the CCR0.3 and CCR0.2 settings for each.

Table 15-5. Bus-control Mode

Bus-control Mode	Bus-control Signals	CCR0.3 (ALE)	CCR0.2 (WR)
Standard Bus-control Mode	ALE, RD#, WR#, BHE# [†]	1	1
Write Strobe Mode	ALE, RD#, WRL#, WRH# [†]	1	0
Address Valid Strobe Mode	ADV#, RD#, WR#, BHE# [†]	0	1
Address Valid with Write Strobe Mode	ADV#, RD#, WRL#, WRH# [†]	0	0

[†] The BHE# and WRH# pins are not implemented on the 87C196CA, 8XC196Jx devices.

15.6.1 Standard Bus-control Mode

In the standard bus-control mode, the device generates the standard bus-control signals: ALE, RD#, WR#, and BHE# (see Figure 15-9). ALE is asserted while the address is driven, and it can be used to latch the address externally. RD# is asserted for every external memory read, and WR# is asserted for every external memory write. When asserted, BHE# selects the bank of memory that is addressed by the high byte of the data bus.

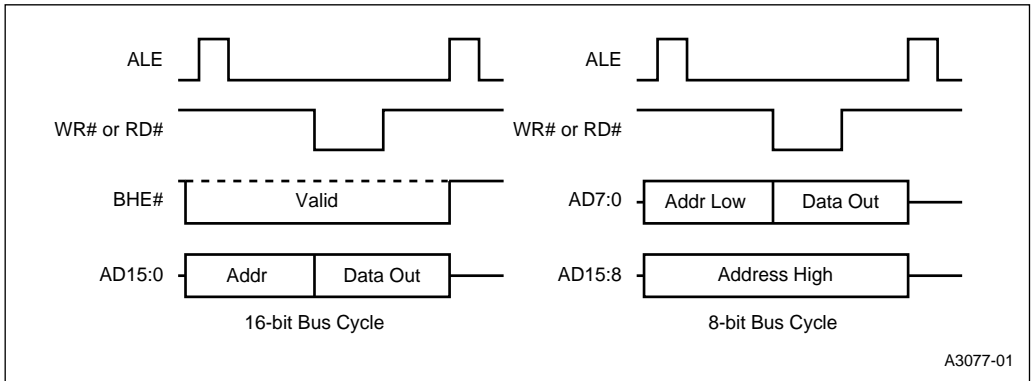


Figure 15-9. Standard Bus Control

When the device is configured to use a 16-bit bus, separate low- and high-byte write signals must be generated for single-byte writes. Figure 15-10 shows a sample circuit that combines BHE# and AD0 to produce these signals (WRL# and WRH#). A similar pair of signals for read is unnecessary. For a single-byte read with the 16-bit bus, both bytes are placed on the data bus and the processor discards the unwanted byte.

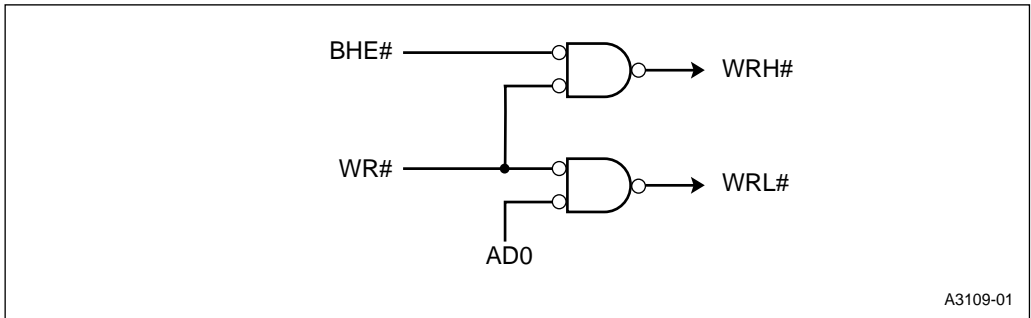


Figure 15-10. Decoding WRL# and WRH#

Figure 15-11 shows an 8-bit system with both flash and RAM. The flash is the lower half of memory, and the RAM is the upper half. This system configuration uses the most-significant address bit (AD15) as the chip-select signal and ALE as the address-latch signal.

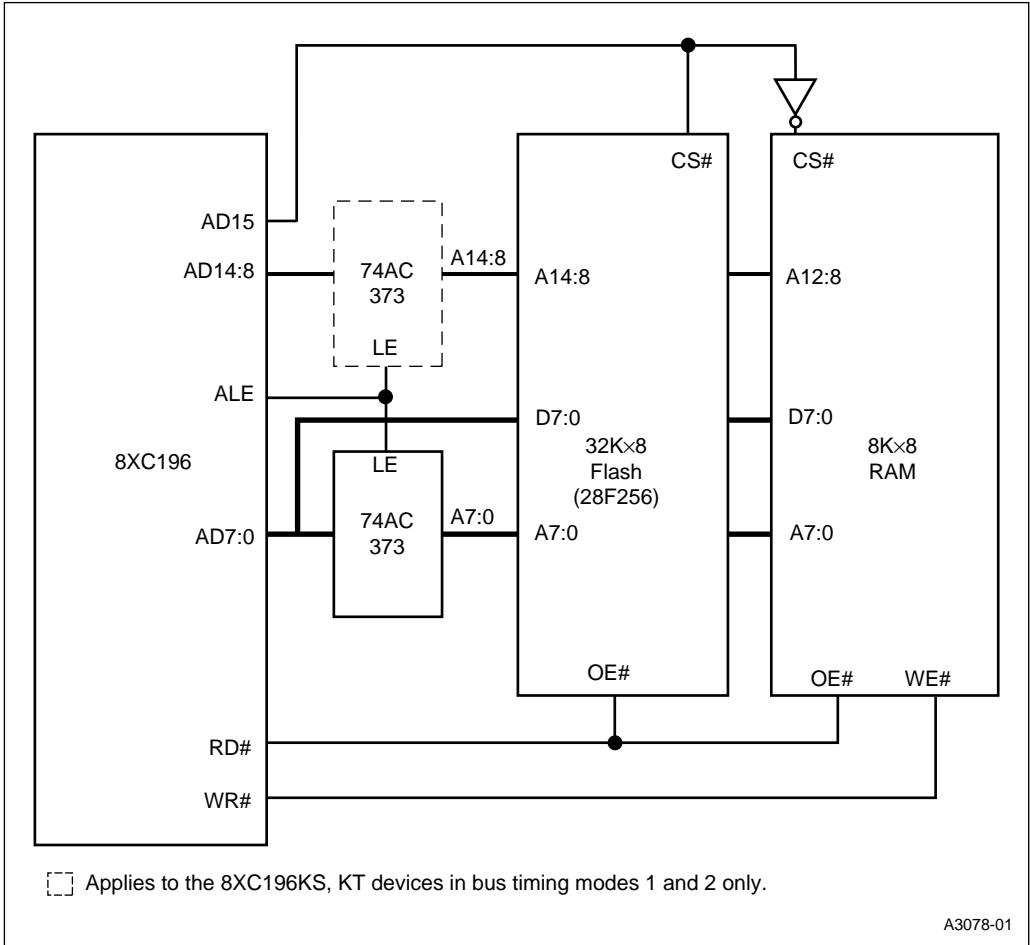


Figure 15-11. 8-bit System with Flash and RAM

Figure 15-12 shows a system that uses the dynamic bus-width feature. (The CCR bits, BW0 and BW1, are set.) Code is executed from the two EPROMs and data is stored in the byte-wide RAM. The RAM is in high memory. It is selected by driving AD15 high, which also selects the 8-bit bus width mode by driving the BUSWIDTH signal low.

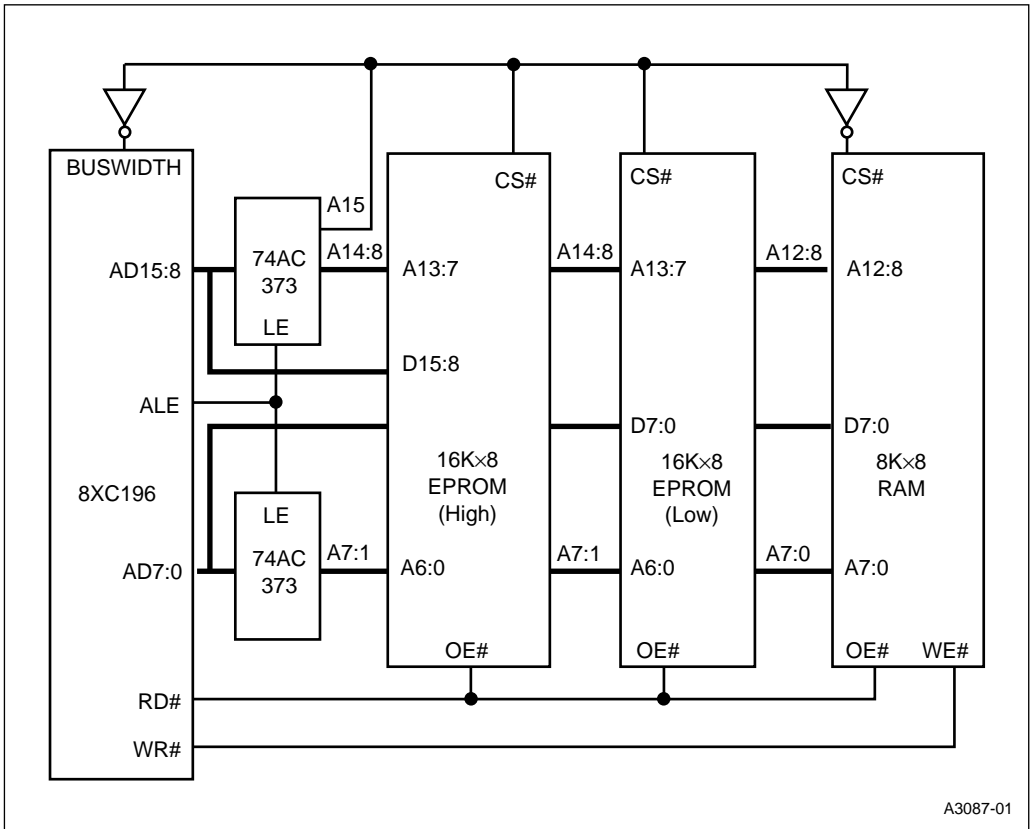


Figure 15-12. 16-bit System with Dynamic Bus Width

15.6.2 Write Strobe Mode

The write strobe mode eliminates the need to externally decode high- and low-byte writes to external 16-bit RAM in 16-bit bus mode. When the write strobe mode is selected, the device generates WRL# and WRH# instead of WR# and BHE#. WRL# is asserted for all low byte writes (even addresses) and all word writes. WRH# is asserted for all high byte writes (odd addresses) and all word writes. In the 8-bit bus mode, WRH# and WRL# are asserted for both even and odd addresses. Figure 15-13 shows write strobe mode timing.

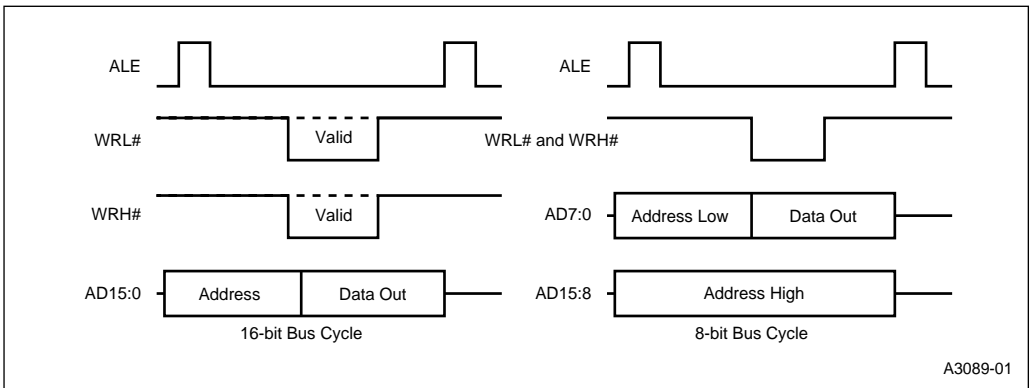


Figure 15-13. Write Strobe Mode

Figure 15-14 shows a 16-bit system with two EPROMs and two RAMs. It is configured to use the write strobe mode. ALE latches the address; AD15 is the chip-select signal for the EPROMs and RAMs. WRL# is asserted during low byte writes and word writes. WRH# is asserted during high byte writes and word writes. Note that RAM devices do not use AD0. WRL# and WRH# determine whether the low byte (AD0=0) or high byte (AD0=1) is selected.

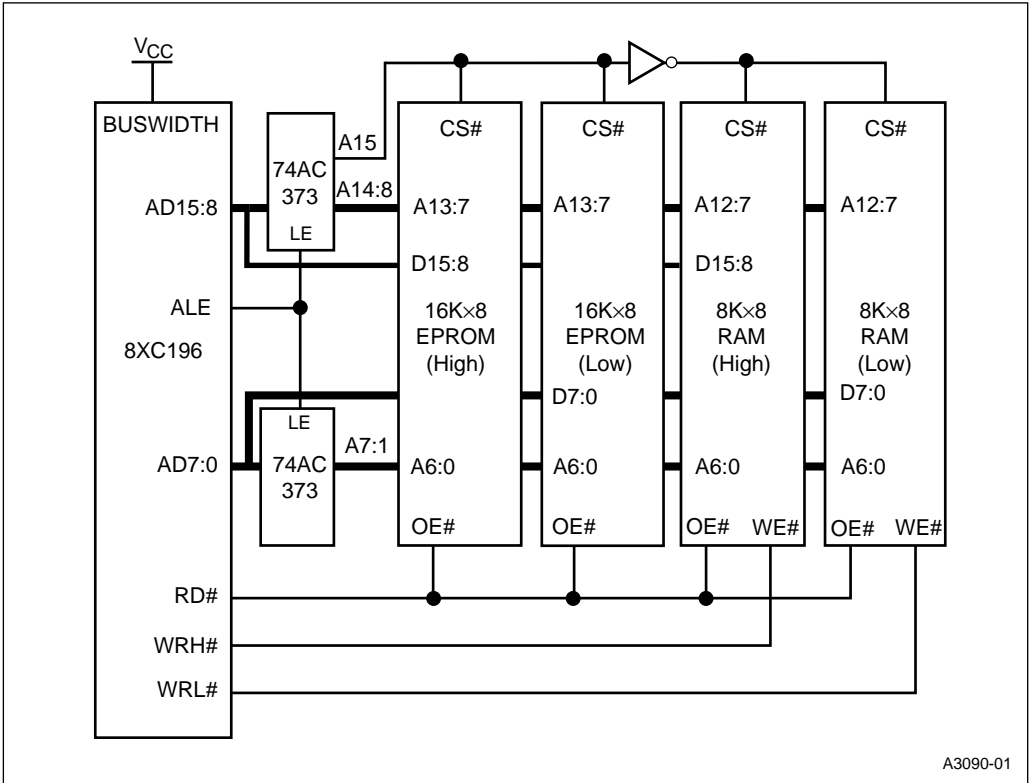


Figure 15-14. 16-bit System with Single-byte Writes to RAM

15.6.3 Address Valid Strobe Mode

When the address valid strobe mode is selected, the device generates the address valid signal (ADV#) instead of the address latch enable signal (ALE). ADV# is asserted after an external address is valid (see Figure 15-15). This signal can be used to latch the valid address and simultaneously enable an external memory device.

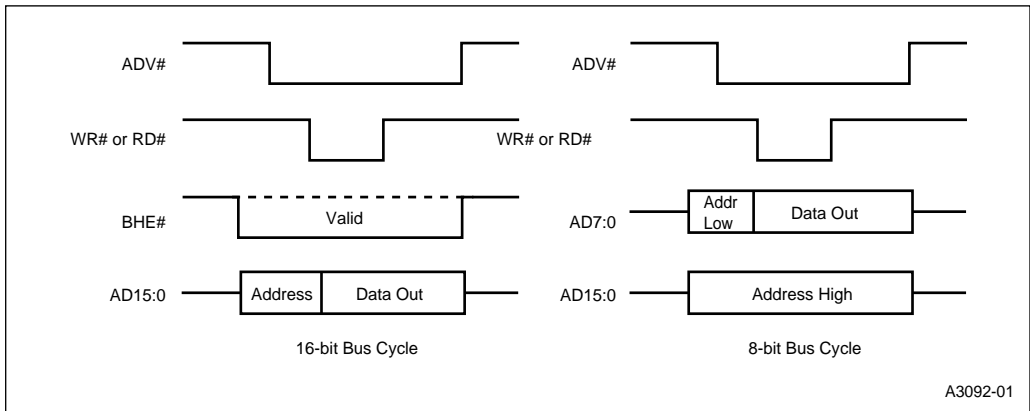


Figure 15-15. Address Valid Strobe Mode

The difference between ALE and ADV# is that ADV# is asserted for the entire bus cycle, not just to latch the address. Figure 15-16 shows the difference between ALE and ADV# for a single read or write cycle. Note that for back-to-back bus access, the ADV# function will look identical to the ALE function. The difference becomes apparent only when the bus is idle. Because ADV# is high during these periods, external memory will be disabled, thus saving power.

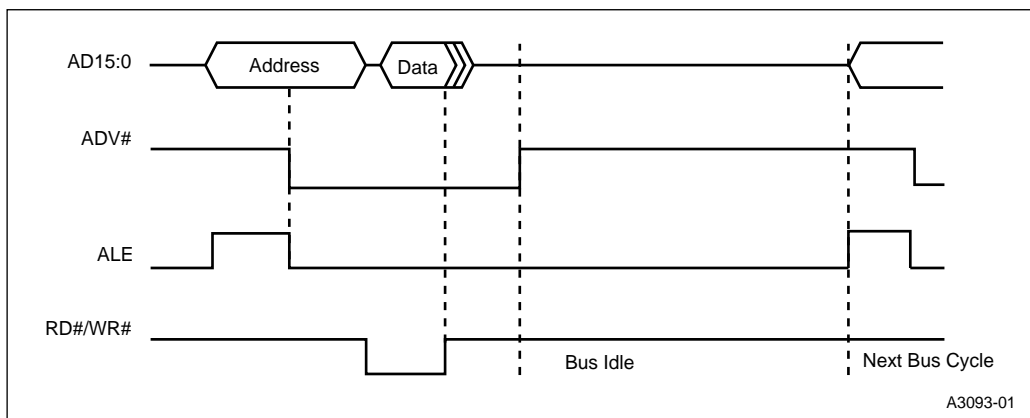


Figure 15-16. Comparison of ALE and ADV# Bus Cycles

Figure 15-17 and Figure 15-18 show sample circuits that use address valid strobe mode. Figure 15-17 shows a simple 8-bit system with a single flash. It is configured for the address valid strobe mode. This system configuration uses the ADV# signal as both the flash chip-select signal and the address-latch signal.

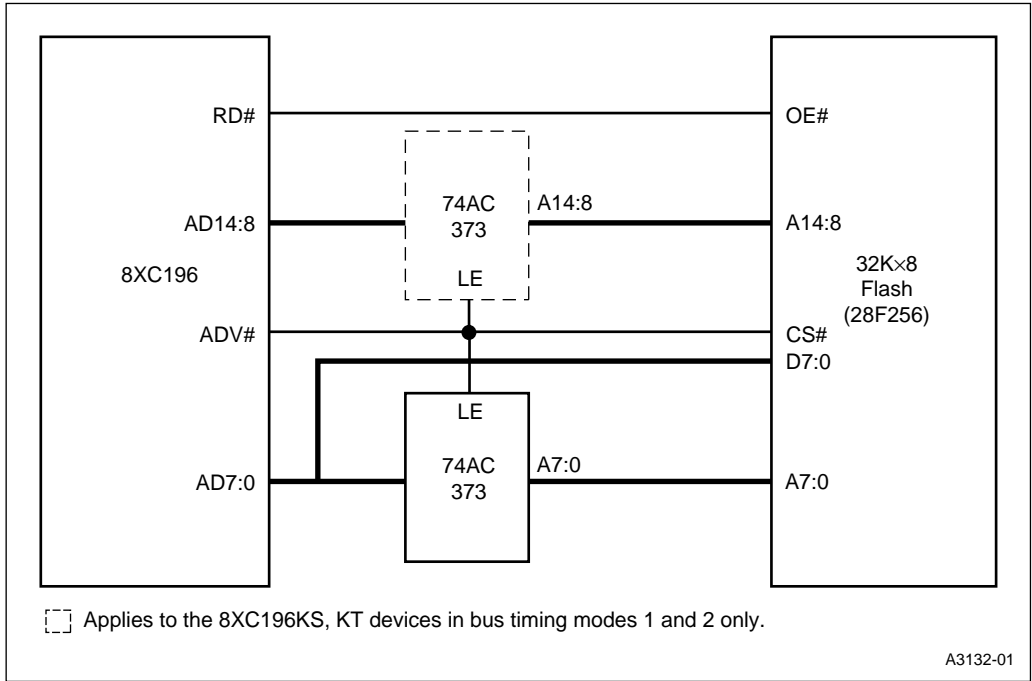


Figure 15-17. 8-bit System with Flash

Figure 15-18 shows a 16-bit system with two EPROMs. This system configuration uses the ADV# signal as both the EPROM chip-select signal and the address-latch signal.

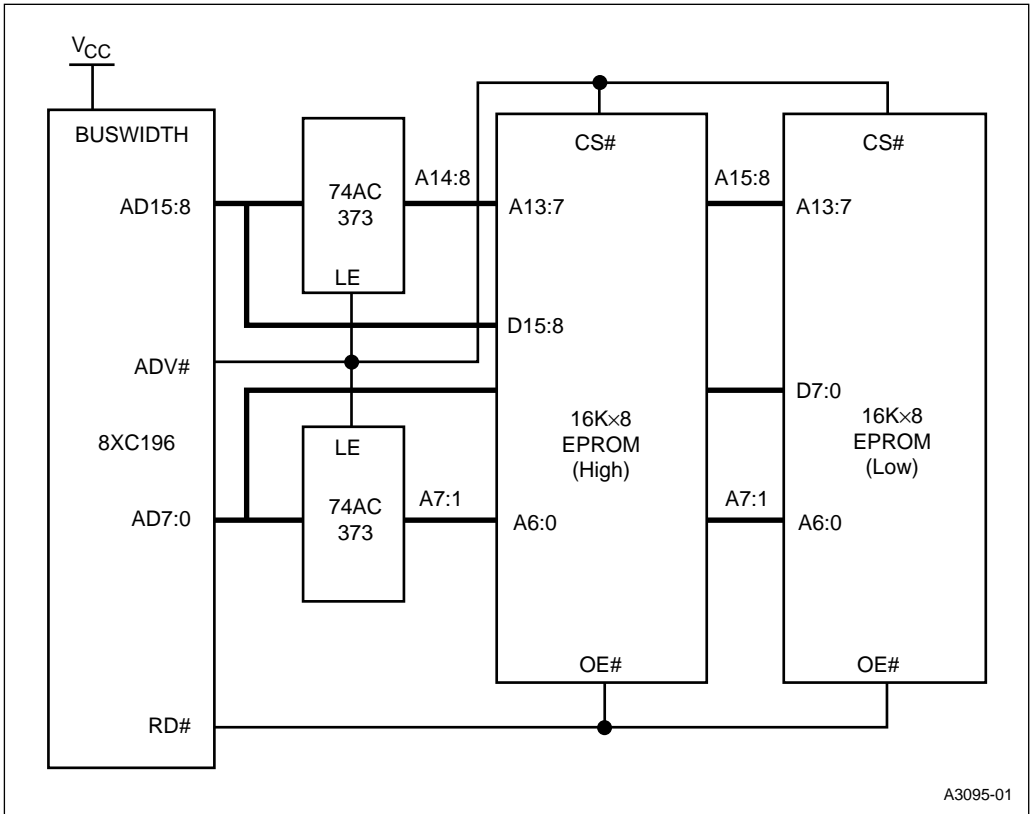


Figure 15-18. 16-bit System with EPROM

15.6.4 Address Valid with Write Strobe Mode

When the address valid with write strobe mode is selected, the device generates the ADV#, WRL#, and WRH# bus-control signals. This mode is used for a simple system using external 16-bit RAM. Figure 15-19 shows the timing. The RD# signal (not shown) is similar to WRL#, WRH#, and WR#. The example system of Figure 15-20 uses address valid with write strobe.

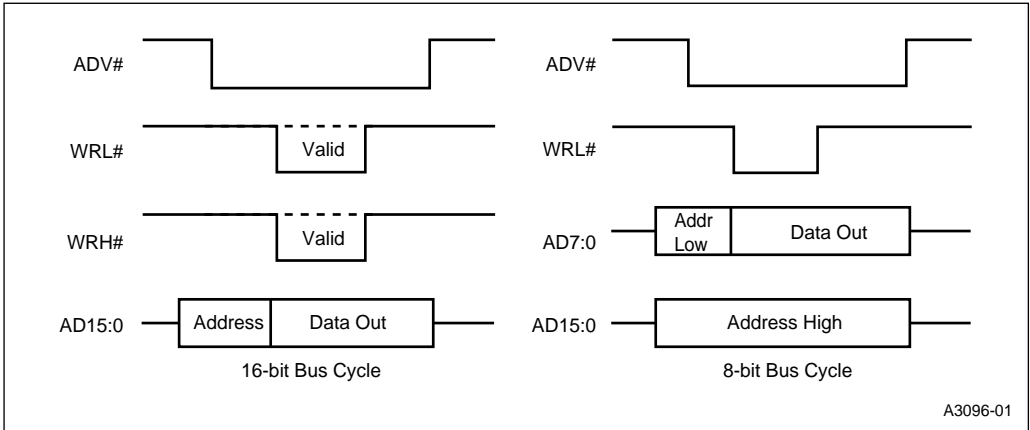


Figure 15-19. Timings of Address Valid with Write Strobe Mode

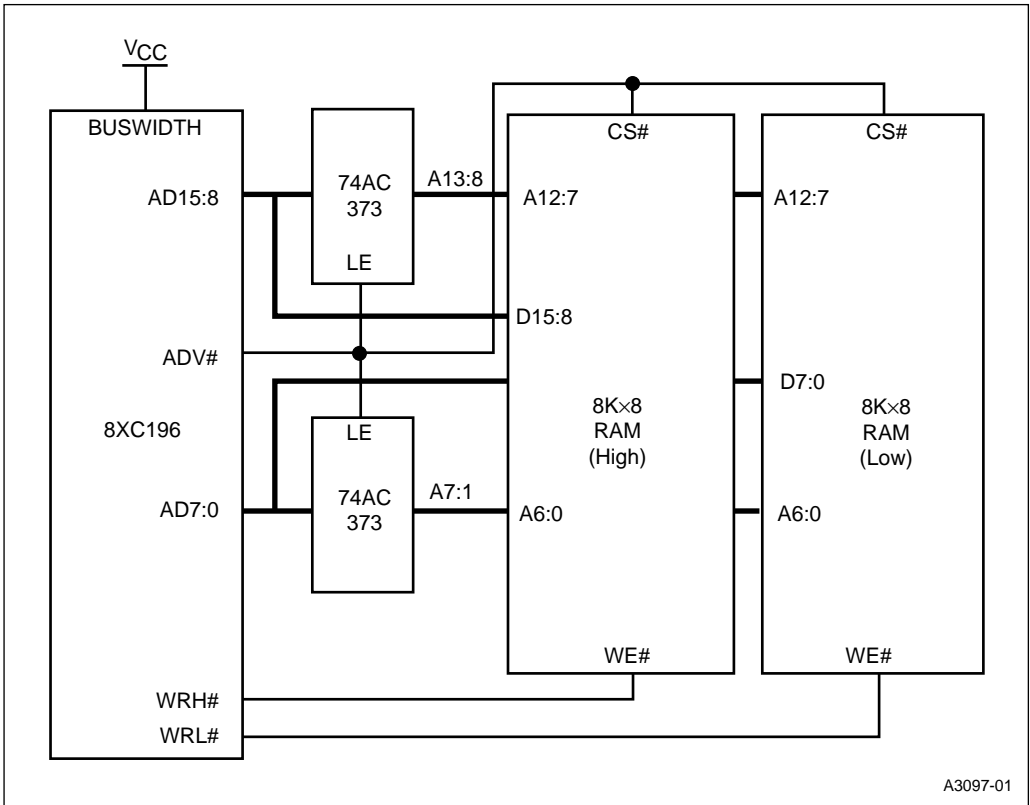


Figure 15-20. 16-bit System with RAM

15.7 BUS TIMING MODES (8XC196KS, KT ONLY)

The 8XC196KS, KT devices have selectable bus timing modes controlled by the MSEL0 and MSEL1 bits (bits 6 and 7) of CCR1. Figure 15-2 on page 15-7 defines these bit settings. The remainder of this section describes each mode. Figure 15-21 illustrates the modes together and Table 15-6 summarizes the differences in their timings.

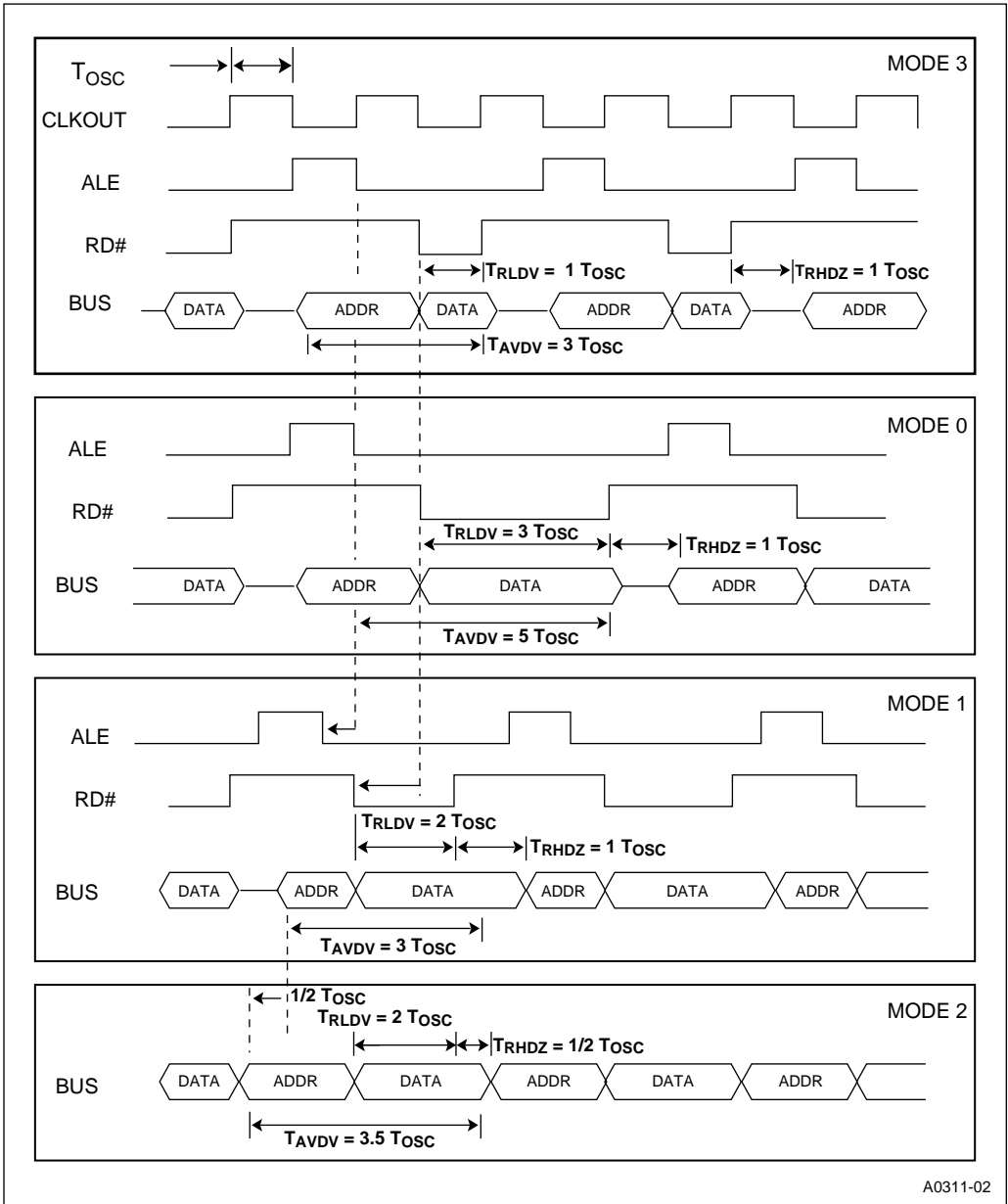


Figure 15-21. Modes 0, 1, 2, and 3 Timings

Table 15-6. Modes 0, 1, 2, and 3 Timing Comparisons

Mode	Timing Specifications (in T_{OSC}) Note 1						
	T_{CLLH}	T_{CHLH}	T_{AVLL}	T_{AVDV}	T_{RLRH}	T_{RHDZ}	T_{RLDV}
Mode 3	0	N/A	1	3	1	1	1
Mode 0	0	N/A	1	5	3	1	3
Mode 1	N/A	0.5	0.5	3	2	1	2
Mode 2	N/A	0.5	1	3.5	2	0.5	2

NOTES:

1. These are ideal timing values for purposes of comparison only. They do not include internal device delays. Consult the data sheet for current device specifications.
2. N/A = This timing specification is not applicable in this mode.

15.7.1 Mode 3, Standard Mode

Mode 3 is the standard timing mode. Use this mode for systems that need to emulate the 8XC196KR.

15.7.2 Mode 0, Standard Timing with One Automatic Wait State

Mode 0 is the standard timing mode with a minimum of one wait state added to each bus cycle. The READY signal can be used to insert additional wait states, if necessary. The T_{RLDV} and T_{AVDV} timings are each $2 T_{OSC}$ longer in mode 0 than in mode 3. The T_{RHDZ} timing in mode 0 is the same as in mode 3.

15.7.3 Mode 1, Long Read/Write Mode

Mode 1 is the long read/write mode (Figure 15-22). In this mode, RD#, WR#, and ALE begin $\frac{1}{2} T_{OSC}$ earlier in the bus cycle and the width of RD# and WR# are $1 T_{OSC}$ longer than in mode 3. The T_{RLDV} timing is $1 T_{OSC}$ longer in mode 1 than in mode 3, allowing the memory more time to get its data on the bus without the wait-state penalty of mode 0. The T_{AVDV} and T_{RHDZ} timing in mode 1 is the same as in mode 3.

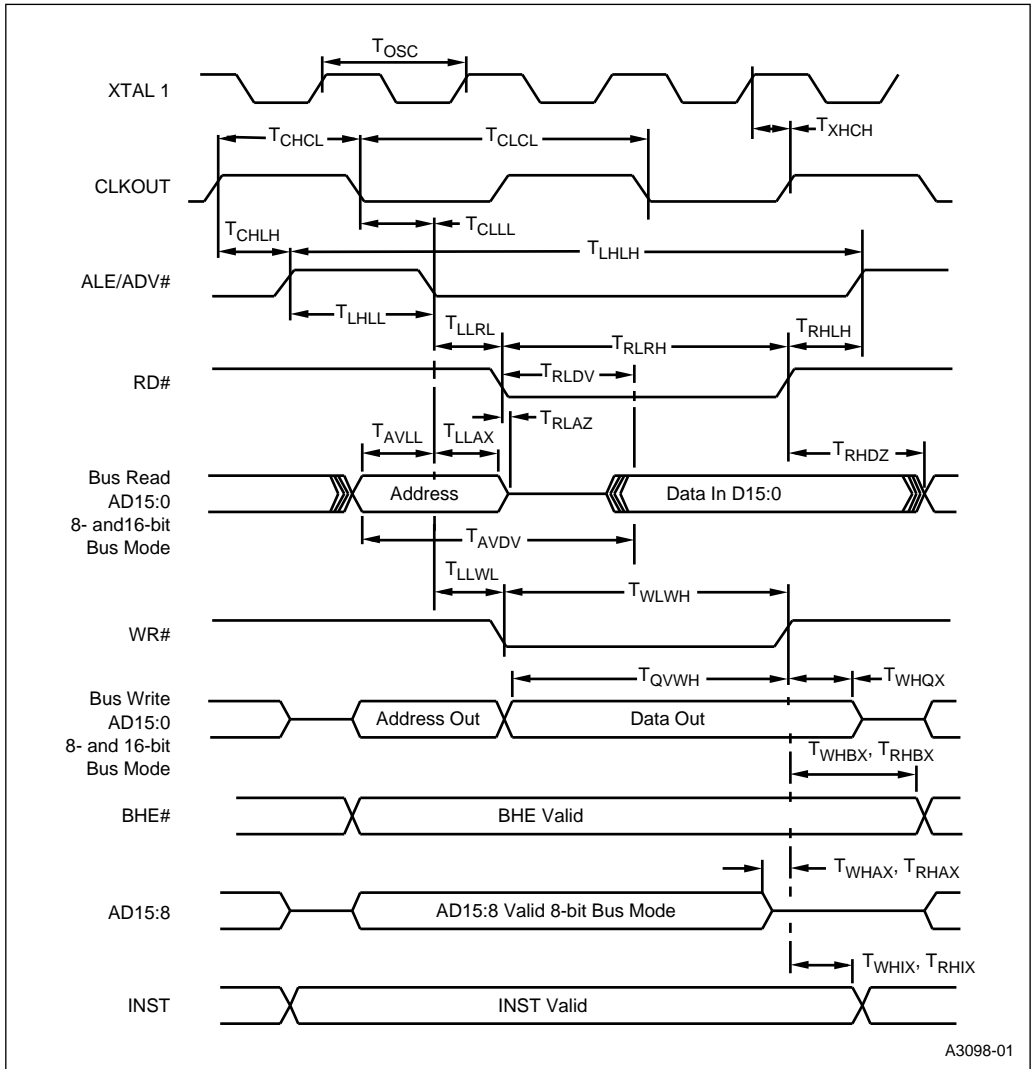


Figure 15-22. Mode 1 System Bus Timing

15.7.4 Mode 2, Long Read/Write with Early Address

Mode 2 (Figure 15-23) is similar to mode 1 in that RD#, WR#, and ALE begin $\frac{1}{2} T_{OSC}$ earlier in the bus cycle and the widths of RD# and WR# are $1 T_{OSC}$ longer than in mode 3. It differs from mode 1 in that the address is also placed onto the bus $\frac{1}{2} T_{OSC}$ earlier in the bus cycle. The T_{RLDV} timing is $1 T_{OSC}$ longer, the T_{AVDV} timing is $\frac{1}{2} T_{OSC}$ longer, and T_{RHDZ} is $\frac{1}{2} T_{OSC}$ shorter in mode 2 than in mode 3. This mode trades a longer T_{AVDV} for a shorter T_{RHDZ} .

15.7.5 Design Considerations

In all bus timing modes, for 16-bit bus-width operation, latch the upper and lower address/data lines. In modes 1 and 2, for 8-bit bus-width operation, also latch the upper and lower address/data lines; the upper address lines are not driven throughout the entire bus cycle (see Figures 15-22 and 15-23). In modes 0 and 3, for 8-bit bus-width operation, latch only the lower address/data lines. In these modes, it is not necessary to latch the upper address lines because these lines are driven throughout the entire bus cycle.

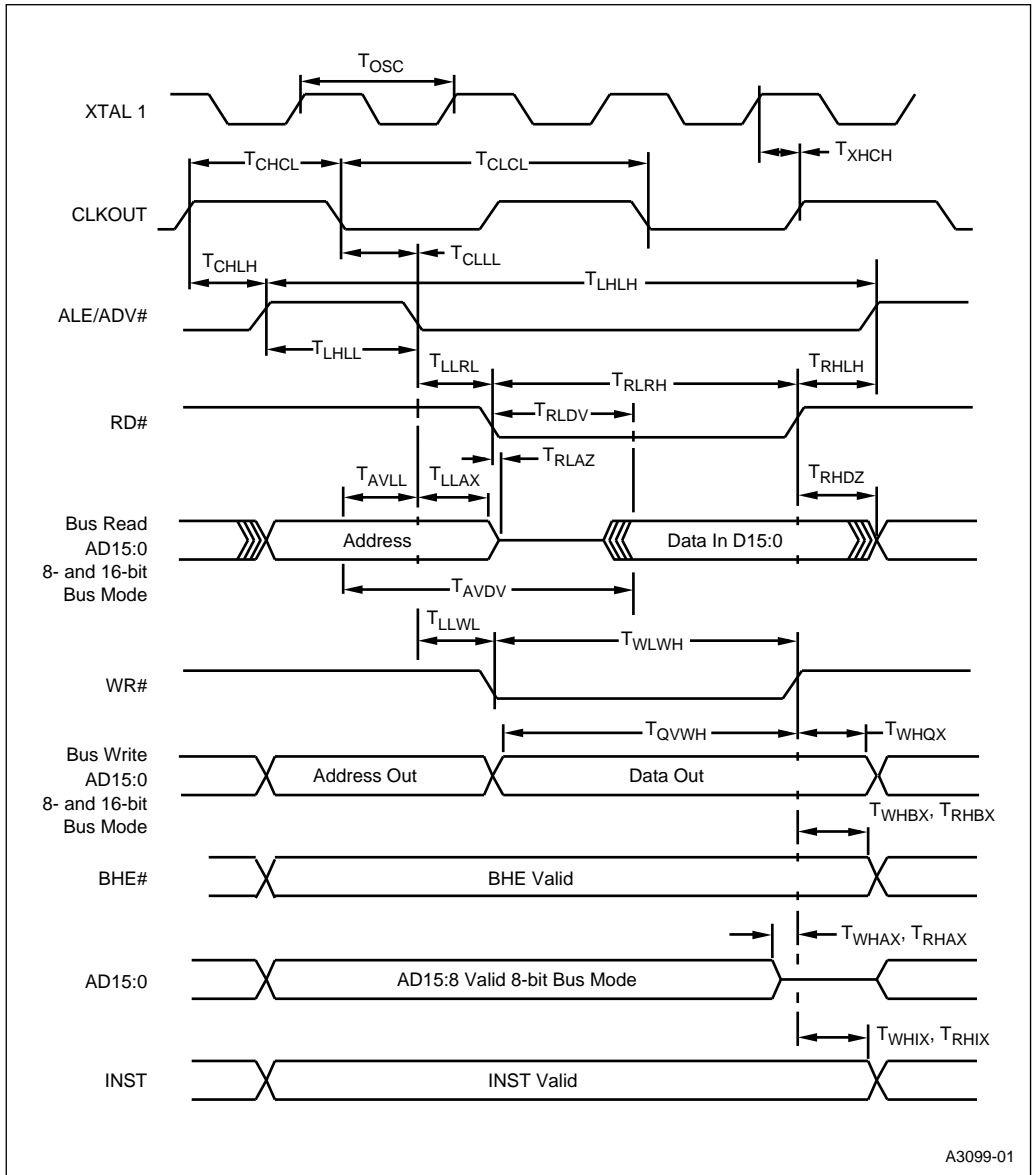


Figure 15-23. Mode 2 System Bus Timing

15.8 SYSTEM BUS AC TIMING SPECIFICATIONS

Refer to the latest data sheet for the AC timings to make sure your system meets specifications. The major external bus timing specifications are shown in Figure 15-24.

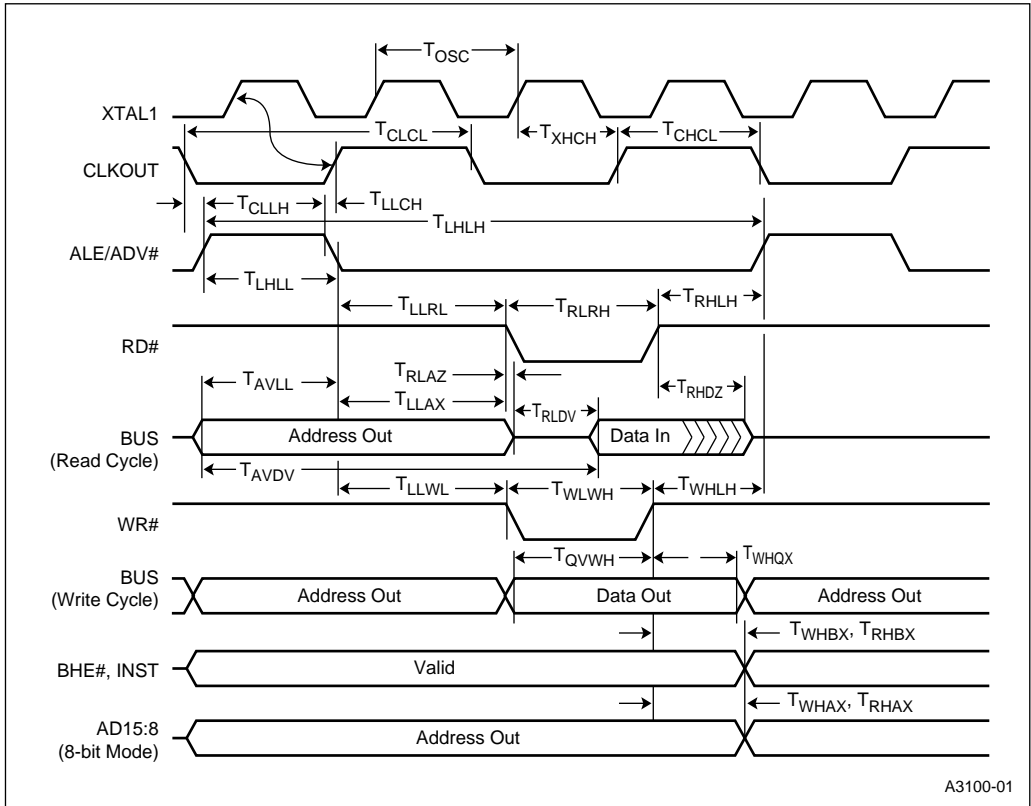


Figure 15-24. System Bus Timing

Each symbol consists of two pairs of letters prefixed by “T” (for time). The characters in a pair indicate a signal and its condition, respectively. Symbols represent the time between the two signal/condition points. For example, T_{CLDV} is the time between signal C (CLKOUT) condition L (Low) and signal D (Input Data) condition V (Valid). Table 15-7 defines the signal and condition codes.

Table 15-7. AC Timing Symbol Definitions

Signals				Conditions	
A	Address	G	BUSWIDTH	R	RD#
B	BHE#	H	HOLD#	W	WR#, WRH#, WRL#
BR	BREQ#	HA	HLDA#	X	XTAL1
C	CLKOUT	L	ALE/ADV#	Y	READY
D	DATA	Q	Data Out		
				H	High
				L	Low
				V	Valid
				X	No Longer Valid
				Z	Floating

Table 15-8 defines the AC timing specifications that the memory system must meet and those that the device will provide.

Table 15-8. AC Timing Definitions

Symbol	Definition
The External Memory System Must Meet These Specifications	
T_{AVDV}	Address Valid to Input Data Valid Maximum time the memory device has to output valid data after the 87C196CA, 8XC196Jx, Kx outputs a valid address.
T_{AVGV}	Address Valid to BUSWIDTH [†] Valid Maximum time after address is valid until BUSWIDTH must be valid. If this specification is exceeded, the 8XC196Kx may not respond with the specified bus cycle.
T_{AVYV}	Address Valid to READY ^{††} Setup Maximum time the memory system has to assert READY after the 87C196CA, 8XC196Kx outputs the address to guarantee that at least one wait state will occur.
T_{CLDV}	CLKOUT Low to Input Data Valid Maximum time the memory system has to output valid data after CLKOUT falls.
T_{CLGX}	BUSWIDTH [†] Hold after CLKOUT Low Minimum time BUSWIDTH must be held valid after CLKOUT falls. Always 0 ns on the 8XC196Kx.
T_{CLYX}	READY ^{††} Hold after CLKOUT Low Minimum hold time is always 0 ns. If maximum specification is exceeded, additional wait states will occur.

[†] 8XC196Kx only; the BUSWIDTH and BHE# pins are not implemented on the 87C196CA, 8XC196Jx.

^{††} 8XC196Kx, 87C196CA only; the READY and INST pins are not implemented on the 8XC196Jx.

Table 15-8. AC Timing Definitions (Continued)

Symbol	Definition
The External Memory System Must Meet These Specifications (Continued)	
T_{LLGV}	ALE Low to BUSWIDTH [†] Valid Maximum time after ALE/ADV# falls until BUSWIDTH must be valid. If this specification is exceeded, the 8XC196Kx may not respond with the specified bus cycle.
T_{LLYH}	ALE Low to READY ^{††} Setup Maximum time the memory system has to assert READY after ALE falls to guarantee that at least one wait state will occur. (This specification is included only for comparison with HMOS device timings.)
T_{LLYX}	READY ^{††} Hold after ALE Low Minimum time the level of the READY signal must be valid after ALE falls. If the maximum value is exceeded, additional wait states will occur.
T_{RHDx}	Data Hold after RD# High Time after RD# is inactive that the memory system must hold data on the bus. Always 0 ns.
T_{RHDZ}	RD# High to Input Data Float Time after RD# is inactive until the memory system must float the bus. If this timing is not met, bus contention will occur.
T_{RLDV}	RD# Low to Input Data Valid Maximum time the memory system has to output valid data after the 87C196CA, 8XC196Jx, Kx asserts RD#.
The 87C196CA, 8XC196Jx, Kx Meets These Specifications	
F_{XTAL}	Frequency on XTAL Frequency of the signal input on the XTAL1 input. The internal bus speed of the 87C196CA, 8XC196Jx, Kx device is $\frac{1}{2} F_{XTAL}$.
T_{OSC}	$1/F_{XTAL}$ All AC Timings are referenced to T_{OSC} .
T_{AVLL}	Address Setup to ALE/ADV# Low: Length of time address is valid before ALE/ADV# falls. Use this specification when designing the external latch.
T_{CHCL}	CLKOUT High Period Needed in systems that use CLKOUT as clock for external devices.
T_{CHLH}	CLKOUT High to ALE/ADV# High (8XC196KS, KT, modes 1 and 2 only) Time between CLKOUT going high and ALE/ADV# going high. Use to derive other timings.
T_{CHWH}	CLKOUT High to WR# High Time between CLKOUT going high and WR# going inactive.
T_{CLCL}	CLKOUT Cycle Time Normally $2 T_{OSC}$.
T_{CLLH}	CLKOUT Falling to ALE/ADV# Rising Use to derive other timings.

[†] 8XC196Kx only; the BUSWIDTH and BHE# pins are not implemented on the 87C196CA, 8XC196Jx.

^{††} 8XC196Kx, 87C196CA only; the READY and INST pins are not implemented on the 8XC196Jx.

Table 15-8. AC Timing Definitions (Continued)

Symbol	Definition
The 87C196CA, 8XC196Jx, Kx Meets These Specifications (Continued)	
T_{CLLL}	CLKOUT Low to ALE/ADV# Low (8XC196KS, KT, modes 1 and 2 only) Time between CLKOUT going low and ALE/ADV# going low. Use to derive other timings.
T_{CLWL}	CLKOUT Low to WR# Low Time between CLKOUT going low and WR# being asserted.
T_{LHLH}	ALE Cycle Time Minimum time between ALE pulses.
T_{LHLL}	ALE/ADV# High Period Use this specification when designing the external latch.
T_{LLAX}	Address Hold after ALE/ADV# Low Length of time address is valid after ALE/ADV# falls. Use this specification when designing the external latch.
T_{LLCH}	ALE/ADV# Falling to CLKOUT Rising Use to derive other timings.
T_{LLRL}	ALE/ADV# Low to RD# Low Length of time after ALE/ADV# falls before RD# is asserted. Could be needed to ensure proper memory decoding takes place before a device is enabled.
T_{LLWL}	ALE/ADV# Low to WR# Low Length of time after ALE/ADV# falls before WR# is asserted. Could be needed to ensure proper memory decoding takes place before a device is enabled.
T_{QVWH}	Data Valid to WR# High Time between data being valid on the bus and WR# going inactive. Memory devices must meet this specification.
T_{RHAX}	AD15:8 Hold after RD# High Minimum time the high byte of the address in 8-bit mode will be valid after RD# inactive.
T_{RHBX}	BHE# [†] , INST ^{††} Hold after RD# High Minimum time these signals will be valid after RD# inactive.
T_{RHLH}	RD# High to ALE/ADV# Asserted Time between RD# going inactive and the next ALE/ADV#. Useful in calculating time between inactive and next address valid.
T_{RLAZ}	RD# Low to Address Float Used to calculate when the 87C196CA, 8XC196Jx, Kx stops driving address on the bus.
T_{RLCL}	RD# Low to CLKOUT Low Length of time from RD# asserted to CLKOUT falling edge.
T_{RLRH}	RD# Low to RD# High RD# pulse width.

[†] 8XC196Kx only; the BUSWIDTH and BHE# pins are not implemented on the 87C196CA, 8XC196Jx.

^{††} 8XC196Kx, 87C196CA only; the READY and INST pins are not implemented on the 8XC196Jx.

Table 15-8. AC Timing Definitions (Continued)

Symbol	Definition
The 87C196CA, 8XC196Jx, Kx Meets These Specifications (Continued)	
T_{WHAX}	AD15:8 Hold after WR# High Minimum time the high byte of the address in 8-bit mode will be valid after WR# inactive.
T_{WHBX}	BHE# [†] , INST ^{††} Hold after WR# High Minimum time these signals will be valid after WR# inactive. (8XC196Kx only)
T_{WHLH}	WR# High to ALE/ADV# High Time between WR# going inactive and next ALE/ADV#. Also used to calculate WR# inactive and next address valid.
T_{WHQX}	Data Hold after WR# High Length of time after WR# rises that the data stays valid on the bus. Memory devices must meet this specification.
T_{WLWH}	WR# Low to WR# High WR# pulse width.
T_{XHCH}	XTAL1 High to CLKOUT High or Low

[†] 8XC196Kx only; the BUSWIDTH and BHE# pins are not implemented on the 87C196CA, 8XC196Jx.

^{††} 8XC196Kx, 87C196CA only; the READY and INST pins are not implemented on the 8XC196Jx.



16

Programming the Nonvolatile Memory



CHAPTER 16

PROGRAMMING THE NONVOLATILE MEMORY

The 87C196Kx devices contain from 12 Kbytes to 48 Kbytes of one-time-programmable read-only memory (OTPROM). Table 16-1 lists the devices and OTPROM sizes. OTPROM is similar to EPROM, but it comes in an unwindowed package and cannot be erased. You can either program the OTPROM yourself or have the factory program it as a quick-turn ROM product (this option may not be available for all devices). This chapter provides procedures and guidelines to help you program the device. The information is organized as follows.

- overview of programming methods (page 16-2)
- OTPROM memory map (page 16-2)
- security features (page 16-3)
- programming pulse width (page 16-8)
- modified quick-pulse algorithm (page 16-10)
- programming mode pins (page 16-11)
- entering programming modes (page 16-14)
- slave programming (page 16-15)
- auto programming (page 16-26)
- serial port programming (page 16-32)
- run-time programming (page 16-44)

NOTE

Some devices may also be available in windowed EPROM packages. In this manual, *OTPROM* refers to the device's internal read-only memory, whether it is EPROM or OTPROM, and *EPROM* refers specifically to EPROM devices.

Table 16-1. OTPROM Sizes for 87C196Kx, Jx, CA Devices

87C196JQ, KQ	87C196JR, KR	87C196KS[†]	87C196CA, JT[†], KT	87C196JV[†]
12 Kbytes (2000–4FFFH)	16 Kbytes (2000–5FFFH)	24 Kbytes (2000–7FFFH)	32 Kbytes (2000–9FFFH)	48 Kbytes (2000–DFFFH)

[†]The 8XC196JT, JV, and KS are offered in automotive temperature ranges only. The 8XC196CA, JQ, JR, KQ, KR, and KT are offered in both automotive and commercial temperature ranges.

16.1 PROGRAMMING METHODS

You can program the OTPROM by configuring a circuit that allows the device to enter a programming mode. In programming modes, the device executes an algorithm that resides in the internal test ROM.

- Slave programming mode allows you to use an EPROM programmer as a master to program 8XC196 devices (the slaves). The code and data to be programmed into the nonvolatile memory typically resides on a diskette. The EPROM programmer transfers the code and data from the diskette to its memory, then manipulates the slave's pins to define the addresses to be programmed and the contents to be written to those addresses. Using this mode, you can program and verify single or multiple words in the OTPROM. This is the only mode that allows you to read the signature word and programming voltages and to program the PCCBs and unerasable PROM (UPROM) bits. Programming vendors and Intel distributors typically use this mode to program a large number of microcontrollers with a customer's code and data.
- Auto programming mode enables the 8XC196 device to act as a master to program itself with code and data that reside in an external memory device. Using this mode, you can program the entire OTPROM array except the UPROM bits and PCCBs. After programming, you can use the ROM-dump mode to write the entire OTPROM array to an external memory device to verify its contents. Customers typically use this low-cost method to program a small number of microcontrollers after development and testing are complete.
- Serial port programming mode enables you to download code and data (usually from a personal computer or workstation) to an 8XC196 device (the slave) through the serial I/O port. You can write data to the OTPROM asynchronously via the TXD (P2.0) pin and read the data via the RXD (P2.1) pin. Customers typically use this mode to download large sections of code to the microcontroller during software development and testing.

You can also program individual OTPROM locations without entering a programming mode. With this method, called run-time programming, your software controls the number and duration of programming pulses. Customers typically use this mode to download small sections of code to the microcontroller during software development and testing.

16.2 OTPROM MEMORY MAP

The OTPROM contains customer-specified special-purpose and program memory (Table 16-2). The 128-byte special-purpose memory partition is used for interrupt vectors, the chip configuration bytes (CCBs), and the security key. Several locations are reserved for testing or for use in future products. Write the value (20H or FFH) indicated in Table 16-2 to each reserved location. The remainder of the OTPROM is available for code storage.

Table 16-2. 87C196Kx OTPROM Memory Map

Address Range (Hex)	Description
DFFF (JV) 2080	Program memory
9FFF (KT, JT, CA) 2080	Program memory
7FFF (KS) 2080	Program memory
5FFF (KR, JR) 2080	Program memory
4FFF (KQ, JQ) 2080	Program memory
207F 205E	Reserved (each location must contain FFH)
205D 2040	PTS vectors
203F 2030	Upper interrupt vectors
202F 2020	Security key
201F 201C	Reserved (each location must contain FFH)
201B	Reserved (must contain 20H)
201A	CCB1
2019	Reserved (must contain 20H)
2018	CCB0
2017 2016	OFD flag for QROM or MROM codes [†]
2015 2014	Reserved (each location must contain FFH)
2013 2000	Lower interrupt vectors

[†]Intel manufacturing uses this location to determine whether to program the OFD bit. Customers with QROM or MROM codes who desire oscillator failure detection should equate this location to the value 0CDEH.

16.3 SECURITY FEATURES

Several security features enable you to control access to both internal and external memory. Read and write protection bits in the chip configuration register (CCR0), combined with a security key, allow various levels of internal memory protection. Two UPROM bits disable fetches of instructions and data from external memory. An additional bit enables circuitry that can detect an oscillator failure and cause a device reset. (See Figure 16-1 on page 16-7 for more information.)

16.3.1 Controlling Access to Internal Memory

The lock bits in the chip configuration register (CCR0) control access to the OTPROM. The reset sequence loads the CCRs from the CCBs for normal operation and from the PCCBs when entering programming modes. You can program the CCBs using any of the programming methods, but only slave programming mode allows you to program the PCCBs.

NOTE

The developers have made a substantial effort to provide an adequate program protection scheme. However, Intel cannot and does not guarantee that these protection methods will always prevent unauthorized access.

16.3.1.1 Controlling Access to the OTPROM During Normal Operation

During normal operation, the lock bits in CCB0 control read and write accesses to the OTPROM. Table 16-3 describes the options. You can program the CCBs using any of the programming methods.

Table 16-3. Memory Protection for Normal Operating Mode

Read Protect LOC1 (CCR0.7)	Write Protect LOC0 (CCR0.6)	Protection Status
1	1	No protection. Run-time programming is permitted, and the entire OTPROM array can be read.
1	0	Write protection only. Run-time programming is disabled, but the entire OTPROM array can be read.
0	1	Read protection. Run-time programming is disabled. If program execution is external, only the interrupt vectors and CCBs can be read. The security key is write protected.
0	0	Read and write protection. Run-time programming is disabled. If program execution is external, only the interrupt vectors and CCBs can be read.

Clearing CCB0.6 enables write protection. With write protection enabled, a write attempt causes the bus controller to cycle through the write sequence, but it does not enable V_{PP} or write data to the OTPROM. This protects the entire OTPROM array from inadvertent or unauthorized programming.

Clearing CCB0.7 enables read protection and also **write** protects the security key to protect it from being overwritten. With read protection enabled, the bus controller will not read from protected areas of OTPROM. An attempt to load the slave program counter with an external address causes the device to reset itself. Because the slave program counter can be as much as four bytes ahead of the CPU program counter, the bus controller might prevent code execution from the last four bytes of internal memory. The interrupt vectors and CCBs are **not** read protected because interrupts can occur even when executing from external memory.

16.3.1.2 Controlling Access to the OTPROM During Programming Modes

For programming modes, three levels of protection are available:

- prohibit all programming
- prohibit all programming, but permit authorized ROM dumps
- prohibit serial port programming, but permit authorized ROM dumps, auto programming, and slave programming

These protection levels are provided by the PCCB0 lock bits, the CCB0 lock bits, and the internal security key (Table 16-4). When entering programming modes, the reset sequence loads the PCCBs into the chip configuration registers. It also loads CCB0 into internal RAM to provide an additional level of security.

You can program the CCBs using any of the programming methods, but only slave programming mode permits access to the PCCBs, and only slave and auto programming allow you to program the internal security key.

Table 16-4. Memory Protection Options for Programming Modes

LOC1 (CCR0.7)		LOC0 (CCR0.6)		Security Key Programmed ?	Protection Status
PCCB	CCB	PCCB	CCB		
1	1	1	1	No	No protection. All programming modes allowed.
1	X	0	X	Yes	All programming disabled. ROM-dump permitted with matching security key.
X	X	X	X	Yes	Serial programming disabled.
1	0	1	0	Yes	Serial programming disabled. Auto and slave programming permitted with matching security key.
0	X	0	X	X	All programming unconditionally disabled.

If you want to prohibit all programming, clear both PCCB0 lock bits. If these bits are cleared, they prevent the device from entering any programming mode.

If you want to prevent programming, but allow ROM dumps, leave the PCCB0 read-protection bit (PCCB0.7) unprogrammed and clear the PCCB0 write-protection lock bit (PCCB0.6). To protect against unauthorized reads, program an internal security key. The ROM-dump mode compares the internal security key location with an externally supplied security key regardless of the CCB0 lock bits. If the security keys match, the routine continues; otherwise, the device enters an endless internal loop.

If you want to allow slave and auto programming as well as ROM dumps, leave both PCCB0 lock bits unprogrammed. To protect against unauthorized programming, clear the CCB0 lock bits and program an internal security key. After the device enters either slave or auto programming mode, the corresponding test ROM routine reads the CCB0 lock bits. If either CCB0 lock bit is enabled, the routine compares the internal security key location with an externally supplied security key. If the security keys match, the routine continues; otherwise, the device enters an endless internal loop.

You can program the internal security key in either auto or slave programming mode. Once the security key is programmed, you must provide a matching key to gain access to any programming mode. For auto programming and ROM-dump modes, a matching security key must reside in external memory. For slave programming mode, you must “program” a matching security key into the appropriate OTPROM locations with the program word command. The locations are not actually programmed, but the data is compared to the internal security key.

The serial programming mode checks the internal security key regardless of the CCB0 lock bits. This mode has no provision for security key verification. If the security key is blank (FFFFH), serial programming continues. If any word contains a value other than FFFFH, the device enters an endless internal loop.

WARNING

If you leave the internal security key locations unprogrammed (filled with FFFFH), an unauthorized person could gain access to the OTPROM by using an external EPROM with an unprogrammed external security key location or by using slave or serial port programming mode.

16.3.2 Controlling Fetches from External Memory

Two UPROM bits disable external instruction fetches and external data fetches. If you program the UPROM bits, an attempt to fetch data or instructions from external memory causes a device reset. Another bit enables circuitry that can detect an oscillator failure and cause a device reset. You can program the UPROM bits using slave programming mode.

Programming the DEI bit prevents the bus controller from executing external instruction fetches. An attempt to load the slave program counter with an external address causes the device to reset itself. Because the slave program counter can be as much as four bytes ahead of the CPU program counter, the bus controller might prevent code execution from the last four bytes of internal memory. The automatic reset also gives extra protection against runaway code.

Programming the DED bit prevents the bus controller from executing external data reads and writes. An attempt to access data through the bus controller causes the device to reset itself. Setting this bit disables ROM-dump mode.

To program these bits, write the correct value to the location shown in Table 16-5 on page 16-8 using slave programming mode. During normal operation, you can determine the values of these bits by reading the UPROM special-function register (Figure 16-1).

USFR		Address: 1FF6H	
		Reset State: XXH	
<p>The unerasable PROM (USFR) register contains two bits that disable external fetches of data and instructions and another that detects a failed oscillator. These bits can be programmed, but cannot be erased.</p> <p>WARNING: These bits can be programmed, but can never be erased. Programming these bits makes dynamic failure analysis impossible. For this reason, devices with programmed UPROM bits cannot be returned to Intel for failure analysis.</p>			
7			0
—	—	—	—
—	DEI	DED	— OFD

Bit Number	Bit Mnemonic	Function
7:4	—	Reserved; always write as zeros.
3	DEI	Disable External Instruction Fetch Setting this bit prevents the bus controller from executing external instruction fetches. Any attempt to load an external address initiates a reset.
2	DED	Disable External Data Fetch Setting this bit prevents the bus controller from executing external data reads and writes. Any attempt to access data through the bus controller initiates a reset.
1	—	Reserved; always write as zero.
0	OFD	Oscillator Fail Detect Setting this bit enables the device to detect a failed oscillator and reset itself. (In EPROM packages, this bit can be erased.)

Figure 16-1. Unerasable PROM (USFR) Register

You can verify a UPROM bit to make sure it programmed, but you cannot erase it. For this reason, Intel cannot test the bits before shipment. However, Intel does test the features that the UPROM bits enable, so the only undetectable defects are (unlikely) defects within the UPROM cells themselves.

16.3.3 Enabling the Oscillator Failure Detection Circuitry

Programming the OFD bit enables circuitry that resets the device when it detects a failed oscillator. (See “Detecting Oscillator Failure” on page 13-12 for details.) To program this bit, you must write the correct value to the location shown in Table 16-5, using slave programming mode. During normal operation, you can determine the value of this bit by reading the USFR (Figure 16-1 on page 16-7). In EPROM packages, the OFD bit can be erased.

Table 16-5. UPROM Programming Values and Locations for Slave Mode

To set this bit	Write this value	To this location
DEI	08H	0718H
DED	04H	0758H
OFD [†]	01H	0778H

[†]Intel manufacturing uses location 2016H to determine whether to program the OFD bit. Customers with QROM or MROM codes who desire the OFD feature should equate location 2016H to the value 0CDEH.

16.4 PROGRAMMING PULSE WIDTH

The programming pulse width is controlled in different ways depending on the programming mode. In all cases, the pulse width must be at least 100 µs for successful programming. In slave programming mode, the pulse width is controlled by the PALE# signal. In auto programming mode, it is loaded from the external EPROM into the PPW register. In serial port programming mode, it is loaded from the test ROM into the SP_PPW register. In run-time programming mode, your software controls the pulse width.

The PPW and SP_PPW registers (Figure 16-2) are identical except for their locations and default values. Both are word registers and both require that the most-significant bit always be set; the remaining bits constitute the PPW_VALUE. To determine the correct PPW_VALUE for the frequency of the device, use the following formula and round the result to the next higher integer.

$$\text{PPW_VALUE} = \frac{F_{\text{osc}} \times \text{Time}}{144} - 1$$

where:

PPW_VALUE	is a 15-bit word
F _{osc}	is the input frequency on XTAL1, in MHz
Time	is the duration of the programming pulse, in µs

The following two examples calculate the PPW_VALUE for a 100-μs pulse width with an 8-MHz and a 16-MHz crystal, respectively.

$$PPW_VALUE = \frac{8 \times 100}{144} - 1 = \frac{800}{144} - 1 = 4.5552 \approx 5 = 05H$$

$$PPW_VALUE = \frac{16 \times 100}{144} - 1 = \frac{1600}{144} - 1 = 10.11 \approx 11 = 0BH$$

You can use the following simplified equation to calculate the PPW_VALUE for a 100-μs pulse width at various frequencies:

$$PPW_VALUE = (0.6944 \times F_{osc}) - 1$$

PPW (or SP_PPW)								no direct access
<p>The PPW register is loaded from the external EPROM (locations 14H and 15H) in auto programming mode. The SP_PPW register is loaded from the internal test ROM in serial port programming mode. The default pulse width for serial port programming is longer than required, so you should change the value before beginning to program the device. (See “Changing Serial Port Programming Defaults” on page 16-34.) The PPW_VALUE determines the programming pulse width, which must be at least 100 μs for successful programming.</p>								
15								8
1	PPW14	PPW13	PPW12	PPW11	PPW10	PPW9	PPW8	
7								0
PPW7	PPW6	PPW5	PPW4	PPW3	PPW2	PPW1	PPW0	

Bit Number	Bit Mnemonic	Function
15	1	Set this bit for proper device operation.
14:0	PPW14:0	PPW_VALUE. This value establishes the programming pulse width for auto programming or serial port programming. For a 100-μs pulse width, use the following formula and round the result to the next higher integer. For auto programming, write this value to the external EPROM (see “Auto Programming Procedure” on page 16-30). For serial port programming, write this value to the internal memory (see “Changing Serial Port Programming Defaults” on page 16-34). $PPW_VALUE = (0.6944 \times F_{osc}) - 1$

Figure 16-2. Programming Pulse Width Register (PPW or SP_PPW)

16.5 MODIFIED QUICK-PULSE ALGORITHM

Both the slave and auto programming routines use the modified quick-pulse algorithm (Figure 16-3). The modified quick-pulse algorithm sends programming pulses to each OTPROM word location. After the required number of programming pulses, a verification routine compares the contents of the programmed location to the input data. A verification error deasserts the PVER signal, but does not stop the programming routine. This process repeats until each OTPROM word has been programmed and verified. Intel guarantees lifetime data retention for a device programmed with the modified quick-pulse algorithm.

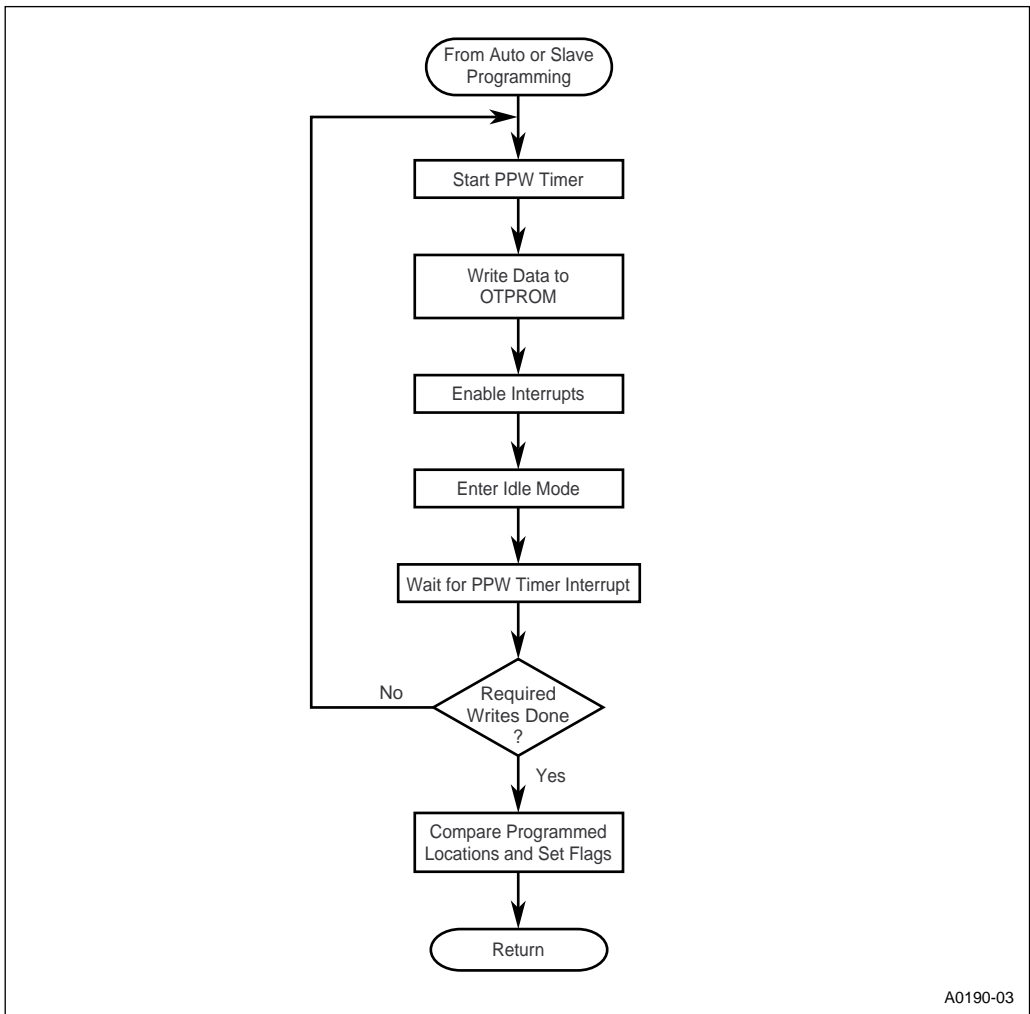


Figure 16-3. Modified Quick-pulse Algorithm

Auto programming repeats the pulse five times, using the pulse width you specify in the external EPROM. Slave mode repeats the pulse until PROG# is deasserted. In slave programming mode, the PALE# signal controls the pulse width. In all cases, the pulse width must be at least 100 μ s for successful programming.

16.6 PROGRAMMING MODE PINS

Figure 16-4 illustrates the signals used in programming and Table 16-6 describes them. The EA#, V_{PP}, and PMODE pins combine to control entry into programming modes. You must configure the PMODE (P0.7:4) pins to select the desired programming mode (see Table 16-7 on page 16-14). Each programming routine configures the port 2 pins to operate as the appropriate special-function signals. Ports 3 and 4 automatically serve as the PBUS during programming.

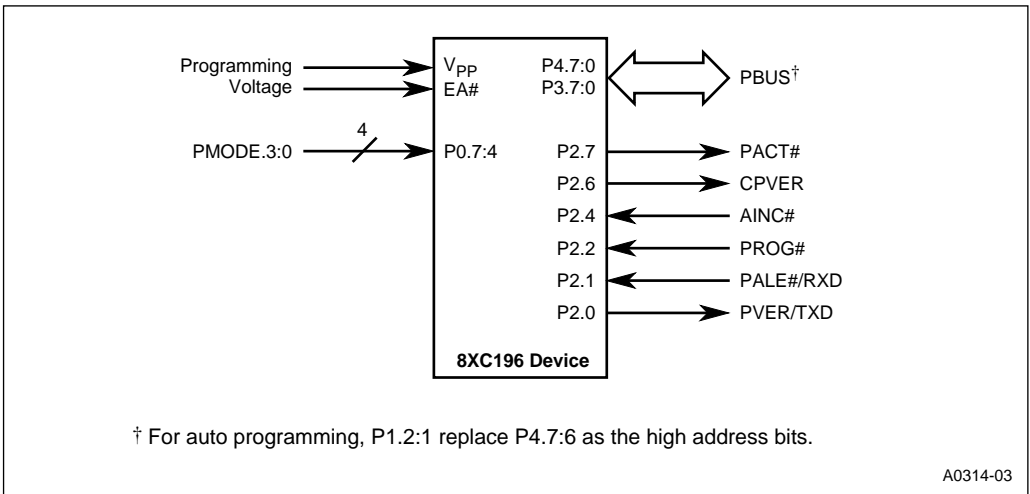


Figure 16-4. Pin Functions in Programming Modes

Table 16-6. Pin Descriptions

Port Pin	Special Function Signal	Type	Program- ing Mode	Description
P0.7:4	PMODE.3: PMODE.0	I	All	Programming Mode Select Determines the programming mode. PMODE is sampled after a device reset and must be static while the part is operating. (Table 16-7 on page 16-14 lists the PMODE values and programming modes.)

Table 16-6. Pin Descriptions (Continued)

Port Pin	Special Function Signal	Type	Program- ming Mode	Description
P2.0	PVER	O	Slave Auto	Programming Verification During slave or auto programming, PVER is updated after each programming pulse. A high output signal indicates successful programming of a location, while a low signal indicates a detected error.
	TXD	O	Serial	Transmit Serial Data During serial port programming, TXD transmits data from the OTPROM to an external device.
P2.1	PALE#	I	Slave	Programming ALE Input During slave programming, a falling edge causes the device to read a command and address from the PBUS.
	RXD	I	Serial	Receive Serial Data During serial port programming, RXD receives data from an external device.
P2.2	PROG#	I	Slave	Programming During programming, a falling edge latches data on the PBUS and begins programming, while a rising edge ends programming. The current location is programmed with the same data as long as PROG# remains asserted, so the data on the PBUS must remain stable while PROG# is active. During a word dump, a falling edge causes the contents of an OTPROM location to be output on the PBUS, while a rising edge ends the data transfer.
P2.4	AINC#	I	Slave	Auto-increment During slave programming, this active-low input enables the auto-increment feature. (Auto increment allows reading or writing of sequential OTPROM locations, without requiring address transactions across the PBUS for each read or write.) AINC# is sampled after each location is programmed or dumped. If AINC# is asserted, the address is incremented and the next data word is programmed or dumped.
P2.6	CPVER	O	Slave	Cumulative Program Verification During slave programming, a high signal indicates that all locations programmed correctly, while a low signal indicates that an error occurred during one of the programming operations.
P2.7	PACT#	O	Auto ROM- dump	Programming Active During auto programming or ROM-dump, a low signal indicates that programming or dumping is in progress, while a high signal indicates that the operation is complete.

Table 16-6. Pin Descriptions (Continued)

Port Pin	Special Function Signal	Type	Program- ing Mode	Description
P4.7:0, P3.7:0	PBUS	I/O	Slave	Address/Command/Data Bus During slave programming, ports 3 and 4 serve as a bidirectional port with open-drain outputs to pass commands, addresses, and data to or from the device. Slave programming requires external pull-up resistors.
P1.2:1 P4.7:5, P3.7:0	PBUS	I/O	Auto ROM-dump	Address/Command/Data Bus During auto programming and ROM-dump, ports 3 and 4 serve as a regular system bus to access external memory. P4.6 and P4.7 are left unconnected; P1.2 and P1.1 serve as the upper address lines.
—	EA#	I	All	External Access Controls program mode entry. If EA# is at V_{PP} voltage on the rising edge of RESET#, the device enters programming mode. EA# is sampled and latched only on the rising edge of RESET#. Changing the level of EA# after reset has no effect.
—	V_{PP}	I	All	Programming Voltage During programming, the V_{PP} pin is typically at +12.5V (V_{PP} voltage). Exceeding the maximum V_{PP} voltage specification can damage the device.

16.7 ENTERING PROGRAMMING MODES

To execute programs properly, the device must have these minimum hardware connections: XTAL1 driven, unused input pins strapped, and power and grounds applied. Follow the operating conditions specified in the datasheet. Place the device into programming mode by applying V_{PP} voltage (+12.5 V) to EA# during the rising edge of RESET#.

16.7.1 Selecting the Programming Mode

The PMODE (P0.7:4) value controls the programming mode. PMODE is sampled on the rising edge of RESET#. You must reset the device to switch programming modes. Table 16-7 lists the PMODE value for each programming mode. All other PMODE values are reserved.

Table 16-7. PMODE Values

PMODE Value (Hex)	Programming Mode
0	Serial port programming
5	Slave programming
6	ROM-dump
C	Auto programming

16.7.2 Power-up and Power-down Sequences

When you are ready to begin programming, follow these power-up and power-down procedures.

WARNING

Failure to observe these warnings will cause permanent device damage.

- Voltage must **not** be applied to V_{PP} while V_{CC} is low.
- The V_{PP} voltage must be within 1 volt of V_{CC} while V_{CC} is less than 4.5 volts. V_{PP} must not go above 4.5 volts until V_{CC} is at least 4.5 volts.
- The V_{PP} maximum voltage must **not** be exceeded.
- EA# must reach programming voltage before V_{PP} does so.
- The PMODE pins (P0.7:4) must be in their desired states before RESET# rises.
- All voltages must be within the ranges specified in the datasheet and the oscillator must be stable before RESET# rises.
- The power supplies to the V_{CC} , V_{PP} , EA# and RESET# pins must be well regulated and free of glitches and spikes.
- All V_{SS} pins must be well grounded.

16.7.2.1 Power-up Sequence

1. Hold the RESET# pin low while V_{CC} stabilizes. Allow V_{PP} and EA# to float during this time.
2. After V_{CC} and the oscillator stabilize, continue to hold the device in reset and apply V_{PP} voltage to EA#.
3. After EA# stabilizes, apply V_{PP} voltage (+12.5V) to the V_{PP} pin.
4. Set the PMODE value to select a programming algorithm.
5. Bring the RESET# pin high.
6. Complete the selected programming algorithm.

16.7.2.2 Power-down Sequence

1. Assert the RESET# signal and hold it low throughout the powerdown sequence.
2. Remove the V_{PP} voltage from the V_{PP} pin and allow the pin to float.
3. Remove the V_{PP} voltage from the EA# pin and allow the pin to float.
4. Turn off the V_{CC} supply and allow time for it to reach 0 volts.

16.8 SLAVE PROGRAMMING MODE

Slave programming mode allows you to program and verify the entire OTPROM array, including the PCCBs and UPROM bits, by using an EPROM programmer.

In this mode, ports 3 and 4 serve as the PBUS, transferring commands, addresses, and data. The least-significant bit of the PBUS (P3.0) controls the command (1 = program word; 0 = dump word) and the remaining 15 bits contain the address of the word to be programmed or dumped. Some port 2 pins provide handshaking signals. The AINC# signal controls whether the address is automatically incremented, enabling programming or dumping sequential OTPROM locations. This speeds up the programming process, since it eliminates the need to generate and decode each sequential address.

NOTE

If a glitch or reset occurs during programming of the security key, an unknown security key might accidentally be written, rendering the device inaccessible for further programming. To prevent this possibility during slave programming, program the rest of the OTPROM array before you program the CCB security-lock bits (CCB0.6 and CCB0.7).

16.8.1 Reading the Signature Word and Programming Voltages

The signature word identifies the device; the programming voltages specify the V_{PP} and V_{CC} voltages required for programming. This information resides in the test ROM at locations 2070H, 2072H, and 2073H; however, these locations are remapped to 007xH. You can use the dump word command in slave programming mode to read the signature word and programming voltages at the locations shown in Table 16-8. The external programmer can use this information to determine the device type and operating conditions. You should **never** write to these locations. The voltages are calculated by using the following equation (after converting the test ROM value to decimal).

$$\text{Voltage} = \frac{20 \times \text{test ROM value}}{256}$$

$$V_{CC} (40H) = \frac{20 \times 64}{256} = 5 \text{ volts}$$

$$V_{PP} (0A0H) = \frac{20 \times 160}{256} = 12.5 \text{ volts}$$

Table 16-8. Device Signature Word and Programming Voltages

Device	Signature Word		Programming V_{CC}		Programming V_{PP}	
	Location	Value	Location	Value	Location	Value
8XC196CA	0070H	87ACH	0072H	40H	0073H	0A0H
8XC196KR, JR, KQ, JQ – C step	0070H	8797H	0073H	40H	0072H	0A0H
8XC196JR, JQ – D step	0070H	8797H	0073H	40H	0072H	0A0H
8XC196JT	0070H	87AFH	0073H	40H	0072H	0A0H
8XC196KT, KS	0070H	87AFH	0072H	40H	0073H	0A0H
8XC196JV	0070H	87BEH	0073H	40H	0072H	0A0H

16.8.2 Slave Programming Circuit and Memory Map

Figure 16-5 shows the circuit diagram and Table 16-9 shows the memory map for slave programming mode. The external clock signal can be supplied by either a clock or a crystal. Refer to the device datasheet for acceptable clock frequencies.

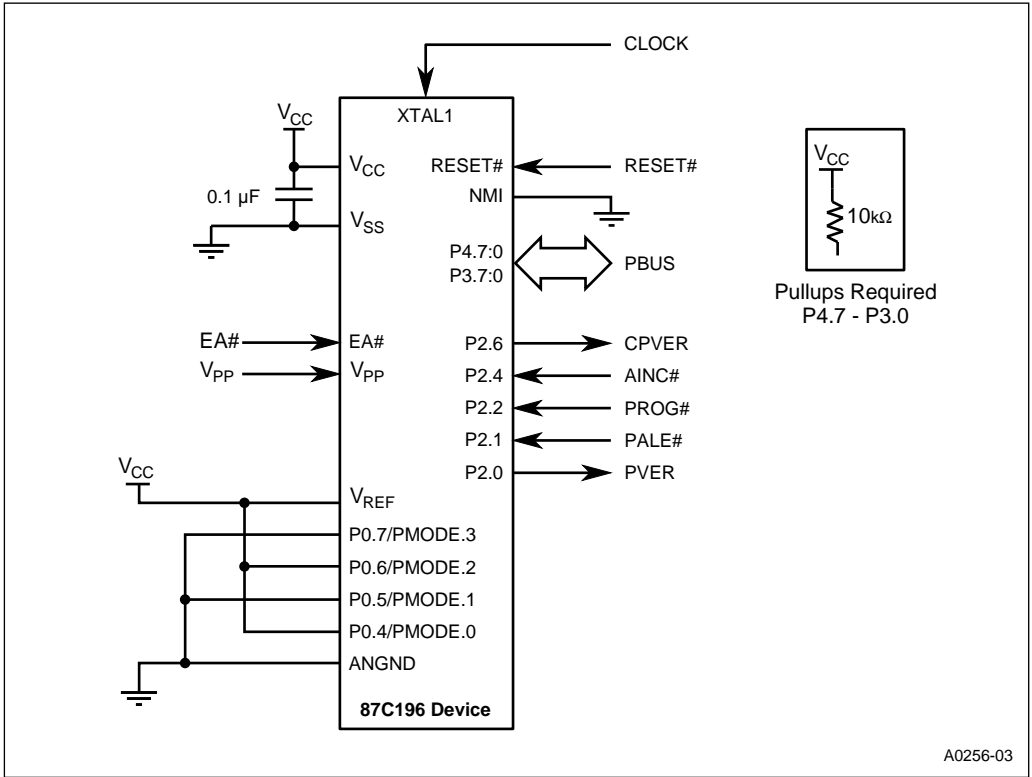


Figure 16-5. Slave Programming Circuit

Table 16-9. Slave Programming Mode Memory Map

Description	Address	Comments
OTPROM	(JV) 2000–DFFFH (CA, JT, KT) 2000–9FFFH (KS) 2000–7FFFH (JR, KR) 2000–5FFFH (JQ, KQ) 2000–4FFFH	OTPROM Cells
OFD	0778H	OTPROM Cell
DED†	0758H	UPROM Cell
DEI†	0718H	UPROM Cell
PCCB	0218H	Test EPROM
Programming voltages (see Table 16-8 on page 16-16)	0072H, 0073H	Read Only
Signature word	0070H	Read Only

†These bits program the UPROM cells. Once these bits are programmed, they cannot be erased and dynamic failure analysis of the device is impossible.

NOTE (8XC196JV Only)

The 8XC196JV, which has 48Kbytes of OTPROM, requires an additional step for programming or verifying the entire array. The OTPROM array is treated as two 24-Kbyte pages, page 0 and page 1. Bit 7 of the byte register at test ROM location 1FF9H selects the active page (initially page 0). After programming and verifying page 0, set the bit to select page 1. The following instruction selects the upper 24-Kbyte page (page 1) of OTPROM.

```
orb tmr, #80h
```

16.8.3 Operating Environment

The chip configuration registers (CCRs) define the system environment. Since the programming environment is not necessarily the same as the application environment, the device provides a means for specifying different configurations. Specify your application environment in the chip configuration bytes (CCBs) located in the OTPROM. Specify your programming environment in the programming chip configuration bytes (PCCBs) located in the test ROM.

Figure 16-6 shows an abbreviated description of the CCRs with the default PCCB environment settings. The reset sequence loads the CCRs from the CCBs for normal operation and from the PCCBs when entering programming modes. You can program the CCBs using any of the programming methods, but only slave mode allows you to program the PCCBs. Chapter 15, “Interfacing with External Memory,” describes the system configuration options, and “Controlling Access to Internal Memory” on page 16-4 describes the memory protection options.

CCR1, CCR0

Address: 201AH, 2018H
 Reset State: from CCBs XXH, XXH
 Reset State: see bit descriptions

The chip configuration registers (CCRs) control bus-control signals, bus width, wait states, powerdown mode, and internal memory protection. These registers are loaded from the PCCBs during programming modes and from the CCBs for normal operation.

7 0

MSEL1	MSEL0	—	—	WDE	BW1	IRC2	—
-------	-------	---	---	-----	-----	------	---

7 0

LOC1	LOC0	IRC1	IRC0	ALE	WR	BW0	PD
------	------	------	------	-----	----	-----	----

Bit Mnemonic	Function
MSEL1:0 †	External Access Timing Mode Select PCCB default is standard mode.
WDE	Watchdog Timer Enable PCCB default is initially disabled (enabled the first time WDT is cleared).
BW1	Buswidth Control For the Kx, PCCB default selects BUSWIDTH pin control. For the CA, Jx, the PCCB default selects a16-bit bus.
IRC2	Internal Ready Control. For the Kx, PCCB default selects READY pin control. For the CA, Jx, the PCCB default selects zero wait states.
LOC1:0	Security Bits PCCB default selects no protection.
IRC1:0	Internal Ready Control For the Kx, PCCB default selects READY pin control. For the CA, Jx, the PCCB default selects zero wait states.
ALE	Select Address Valid Strobe Mode. PCCB default selects ALE.
WR	Select Write Strobe Mode. For the Kx, PCCB default selects WR# and BHE#. For the CA, Jx, the PCCB default selects WR# (BHE# is not implemented).
BW0	Buswidth Control For the Kx, PCCB default selects BUSWIDTH pin control. For the CA, Jx, the PCCB default selects a16-bit bus.
PD	Powerdown Enable. PCCB default enables powerdown.

† These bits are reserved on the 8XC196CA, Jx, KQ, KR. They are unique to the 8XC196KS and KT.

Figure 16-6. Chip Configuration Registers (CCRs)

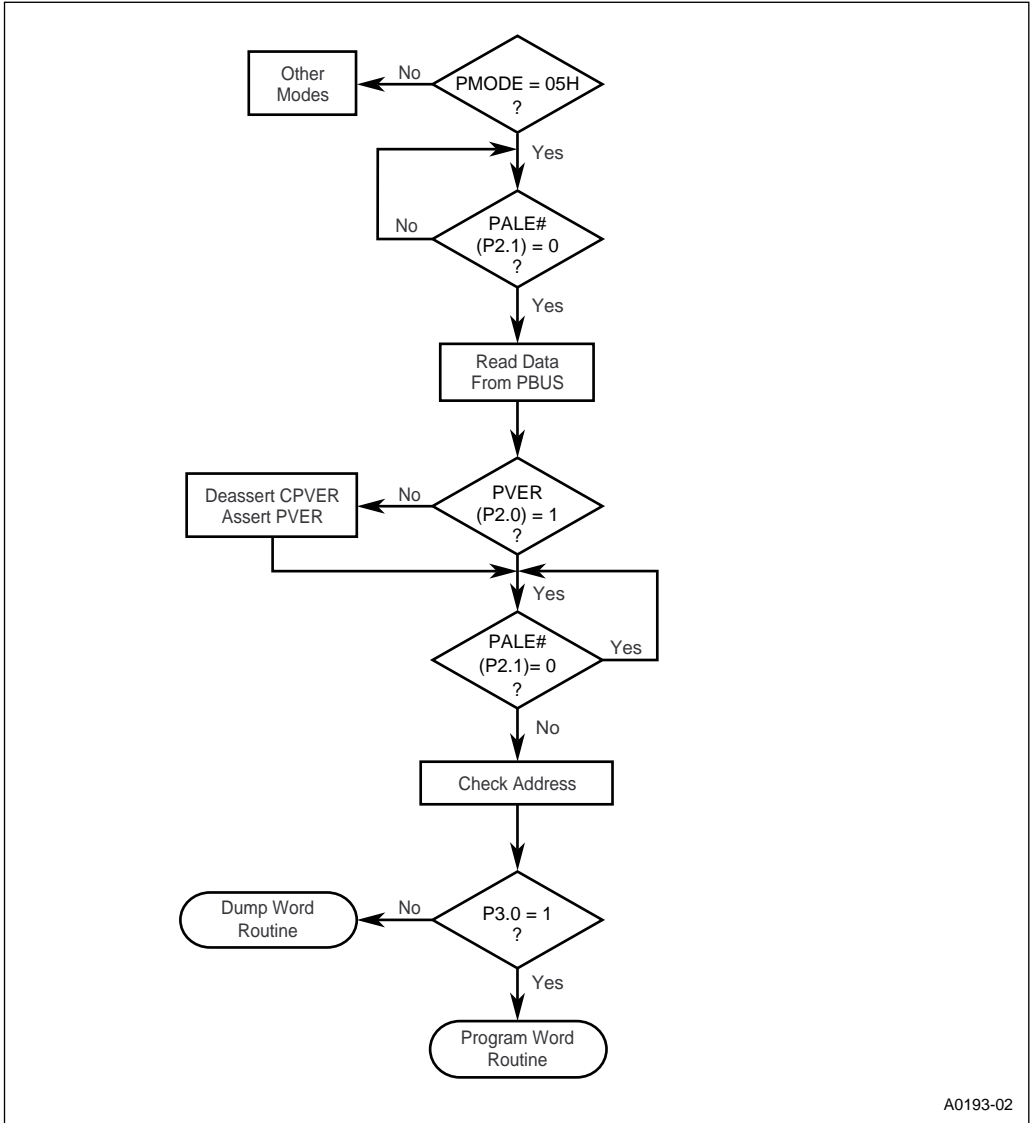
16.8.4 Slave Programming Routines

The slave programming mode algorithm consists of three routines: the address/command decoding routine, the program word routine, and the dump word routine.

The address/command decoding routine (Figure 16-7) reads the PBUS and transfers control to the program word or dump word routine based on the value of P3.0. A one on P3.0 selects the program word command and the remaining bits specify the address. For example, a PBUS value of 3501H programs a word of data at location 3500H. A zero on P3.0 selects the dump word command and the remaining bits specify the address. For example, a PBUS value of 3500H places the word at location 3500H on the PBUS.

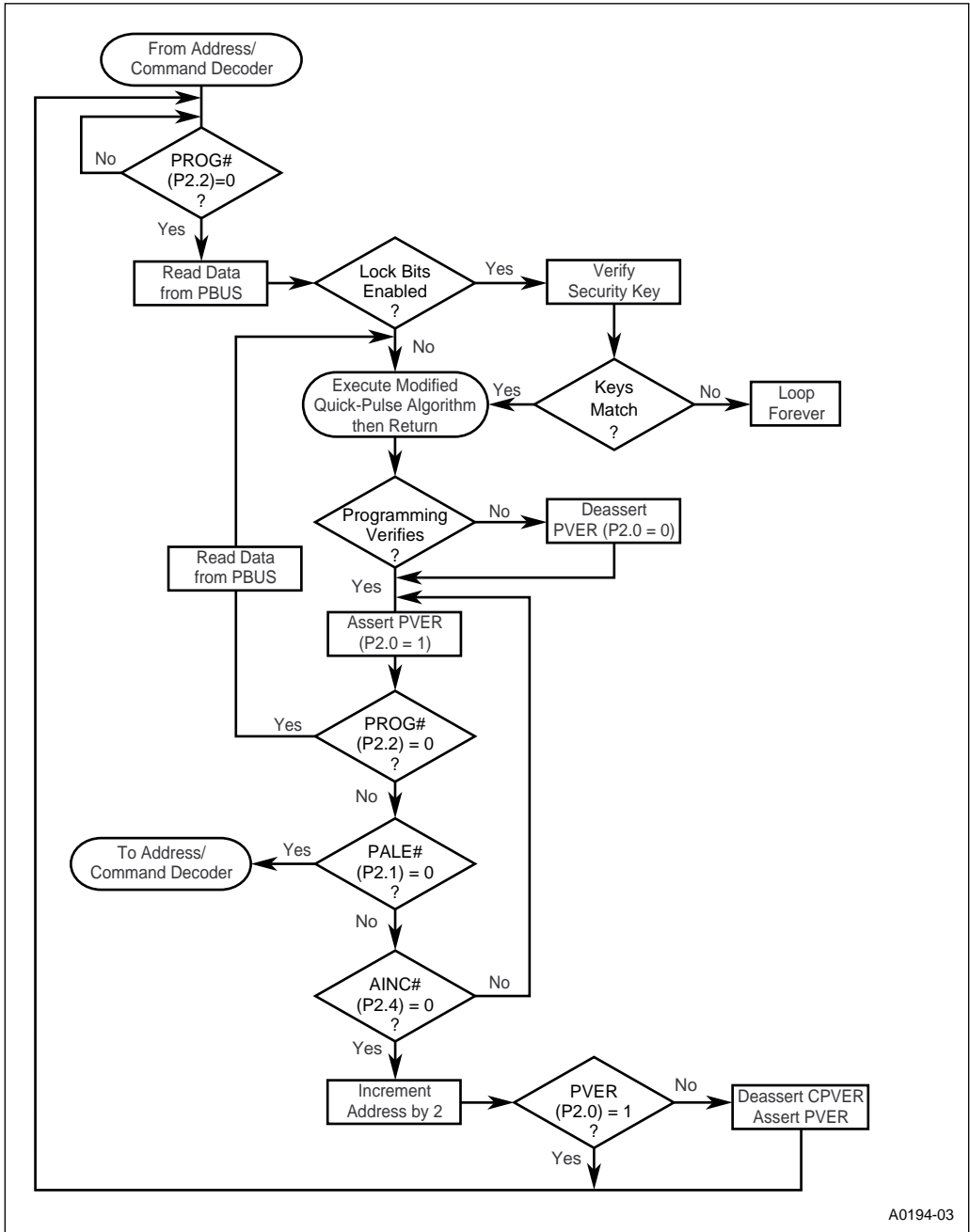
The program word routine (Figure 16-8) checks the CCB security-lock bits. If either security lock bit (CCB0.6 or CCB0.7) has been programmed, you must provide a matching security key to gain access to the device. Using the program word command, write eight consecutive words to the device, starting at location 2020H and continuing to 202FH. The routine stores these eight words in an internal register and compares their value with the internal key. If the keys match, the routine allows you to program individual or sequential OTPROM locations; otherwise, the device enters an endless loop.

The dump word routine (Figure 16-10) also checks the CCB security-lock bits, but it has no provision for security key verification. If the lock bits are unprogrammed, the routine fetches a word of data from the OTPROM and writes that data to the PBUS. If either lock bit is programmed, the routine performs a write cycle without first getting data from the OTPROM.



A0193-02

Figure 16-7. Address/Command Decoding Routine



A0194-03

Figure 16-8. Program Word Routine

Figure 16-9 shows the timings of the program word command with a repeated programming pulse and auto increment. Asserting PALE# latches the command and address on the PBUS. Asserting PROG# latches the data on the PBUS and starts the programming sequence. The PROG# signal controls the programming pulse width. (Slave programming mode does not use the PPW.) After the rising edge of PROG#, the routine verifies the contents of the location that was just programmed and asserts PVER to indicate successful programming. AINC# is optional and can automatically increment the address for the next location. If you do not use AINC#, you must send a new program word command to access the next word location.

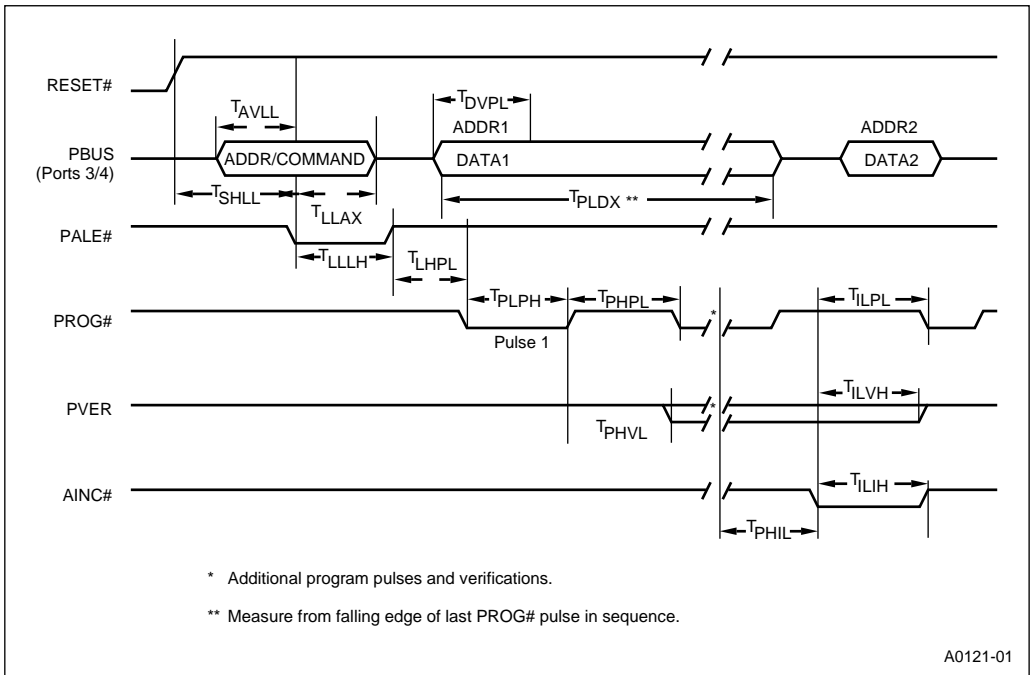
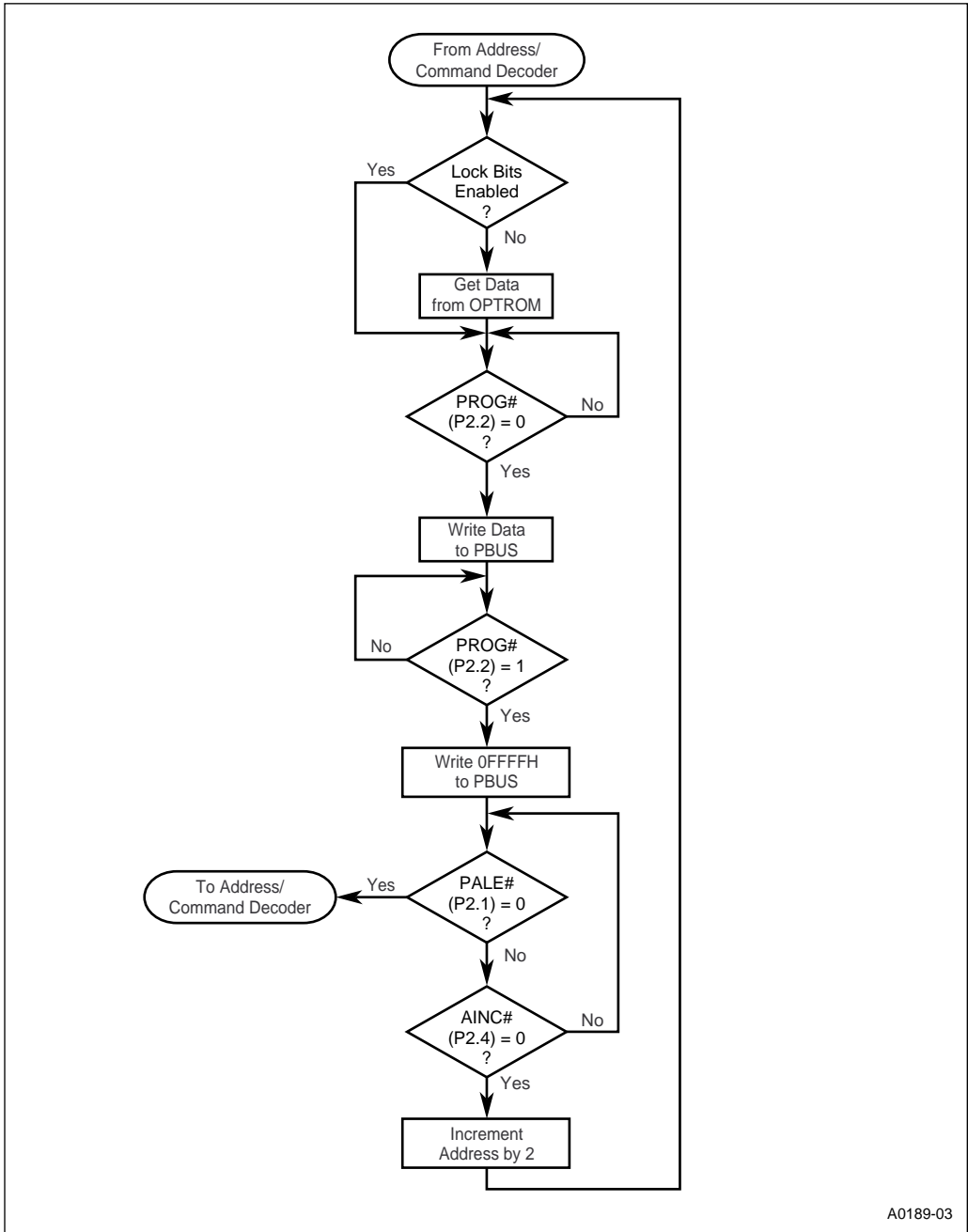


Figure 16-9. Program Word Waveform



A0189-03

Figure 16-10. Dump Word Routine

Figure 16-11 shows the timings of the dump word command. PROG# governs when the device drives the bus. The timings before the dump word command are the same as those shown in Figure 16-9. In the dump word mode, the AINC# pin can remain active and toggling. The PROG# pin automatically increments the address.

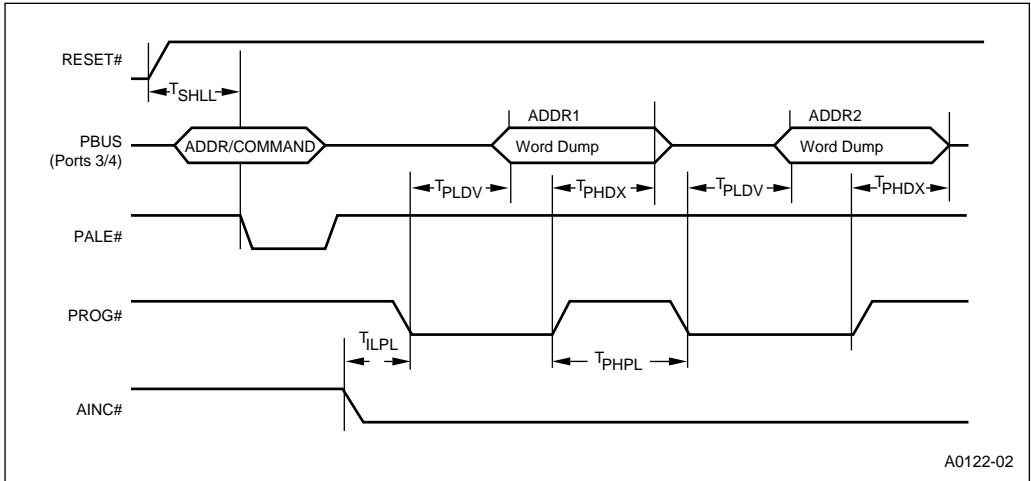


Figure 16-11. Dump Word Waveform

16.8.5 Timing Mnemonics

Table 16-10 defines the timing mnemonics used in the program word and dump word waveforms. The datasheets include timing specifications for these signals.

Table 16-10. Timing Mnemonics

Mnemonic	Description
T_{SHLL}	Reset High to First PALE# Low.
T_{LLLH}	PALE# Pulse Width.
T_{AVLL}	Address Setup Time.
T_{LLAX}	Address Hold Time.
T_{PLDV}	PROG# Low to Word Dump Valid.
T_{PHDX}	Word Dump Data Hold.
T_{DVPL}	Data Setup Time.
T_{PLDX}	Data Hold Time.
T_{PLPH}	PROG# Pulse Width.
T_{PHLL}	PROG# High to Next PALE# Low.
T_{LHPL}	PALE# High to PROG# Low.

Table 16-10. Timing Mnemonics (Continued)

Mnemonic	Description
T_{PHPL}	PROG# High to Next PROG# Low.
T_{PHIL}	PROG# High to AINC# Low.
T_{ILIH}	AINC# Pulse Width.
T_{ILVH}	PVER Hold After AINC# Low.
T_{ILPL}	AINC# Low to PROG# Low.
T_{PHVL}	PROG# High to PVER Valid.

16.9 AUTO PROGRAMMING MODE

The auto programming mode is a low-cost programming alternative. Using this programming mode, the device programs itself with data from an external EPROM (external locations 4000H and above). A bank switching mechanism supplied by P1.2 and P1.1 supports auto programming of devices with more than 16 Kbytes of internal memory.

16.9.1 Auto Programming Circuit and Memory Map

Figure 16-12 shows the recommended circuit for an 8XC196Kx device and Table 16-11 shows the memory map for auto programming mode. Auto programming is specified for a crystal frequency of 6 to 8 MHz for commercial devices and 6 to 10 MHz for automotive devices. At 8 MHz, use a 27(C)512 EPROM with $t_{ACC} = 250$ ns and $t_{OE} = 100$ ns or faster specifications. At 10 MHz, use a 27(C)512 EPROM with $t_{ACC} = 245$ ns and $t_{OE} = 100$ ns or faster specifications.

Tie the BUSWIDTH pin low to configure an 8-bit data bus. Connect P1.1 and P1.2 as shown to generate the high-order bits of the external EPROM address. Connect P0.7:4 to V_{SS} and V_{CC} to select auto programming (1100B = 0CH). PACT# and PVER are status outputs, buffered by the 74HC14s. They drive LEDs that indicate programming active (PACT#) and programming verification (PVER). Connect all unused inputs to ground (V_{SS}) and leave unused outputs floating. READY and NMI are active; connect them as indicated.

NOTE

All external EPROM addresses specified in this section are given for the circuit in Figure 16-12. If you choose a different circuit, you must adjust the addresses accordingly.

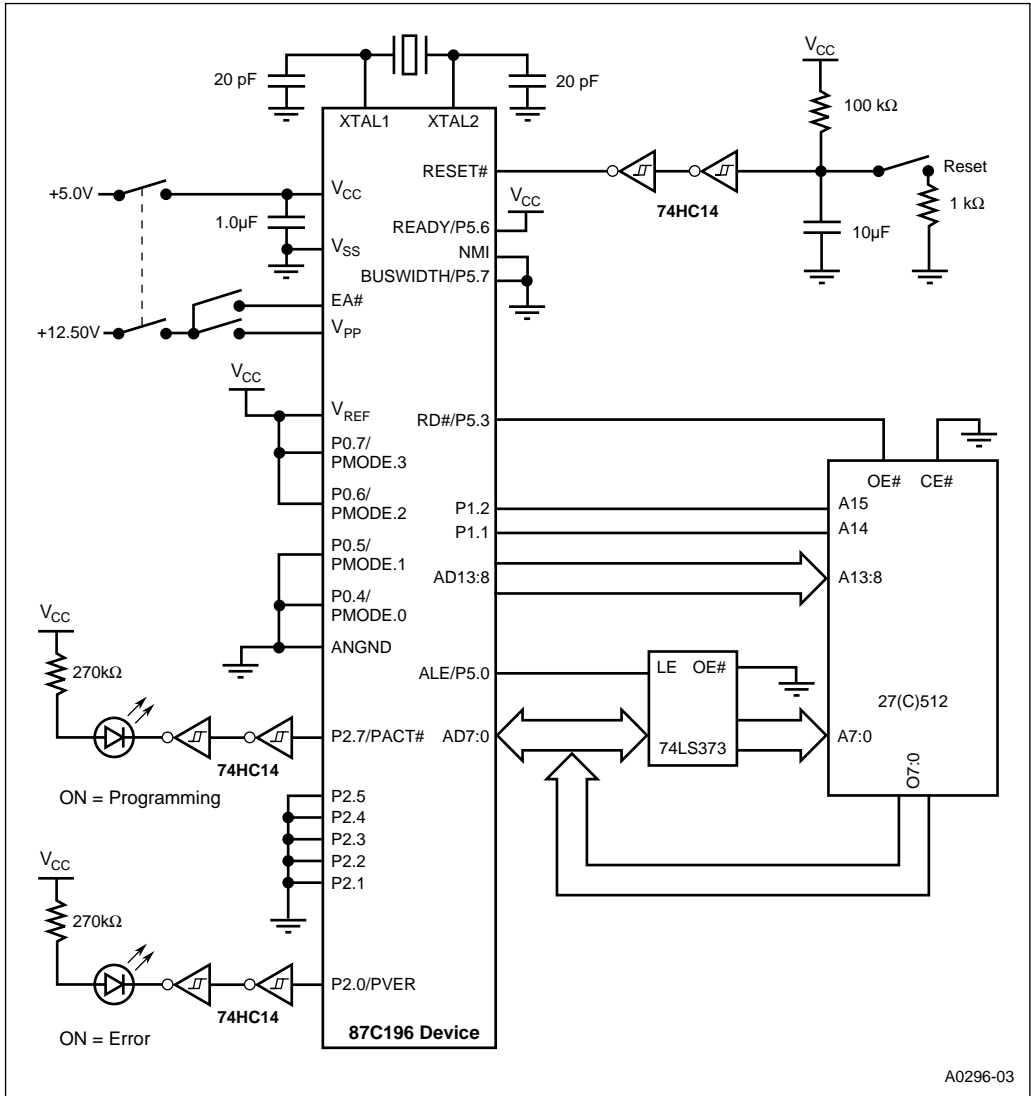


Figure 16-12. Auto Programming Circuit for 8XC196Kx Devices

NOTE

The 8XC196CA and Jx devices support only a 16-bit, zero-wait-state bus configuration for auto programming. For these devices, omit the BUSWIDTH, P2.5, and P2.3 connections (the pins are not implemented). For the 8XC196Jx, also omit the NMI connection (the pin is not implemented).

Table 16-11. Auto Programming Memory Map

Address Output from 8XC196 Device (A15:0)	Internal OTPROM Address	Address Using Circuit in Figure 16-12 (P1.2:1, A13:0)	Description
4014H	N/A	14H	Programming pulse width (PPW) LSB.
4015H	N/A	15H	Programming pulse width (PPW) MSB.
4020–402FH	2020–202FH	0020–002FH	Security key for verification.
4000–6FFFH	2000–4FFFH	4000–6FFFH	Code, data, and reserved locations. (KQ, JQ)
4000–7FFFH	2000–5FFFH	4000–7FFFH	Code, data, and reserved locations. (KR, JR)
4000–7FFFH	2000–7FFFH	4000–9FFFH	Code, data, and reserved locations. (KS)
4000–7FFFH	2000–9FFFH	4000–BFFFH	Code, data, and reserved locations. (KT, JT, CA)
A000–FFFEH 8000–DFFEH	2000–7FFEH 8000–DFFEH	2000–4FFFH 5000–7FFFH	Code, data, and reserved locations. (JV)

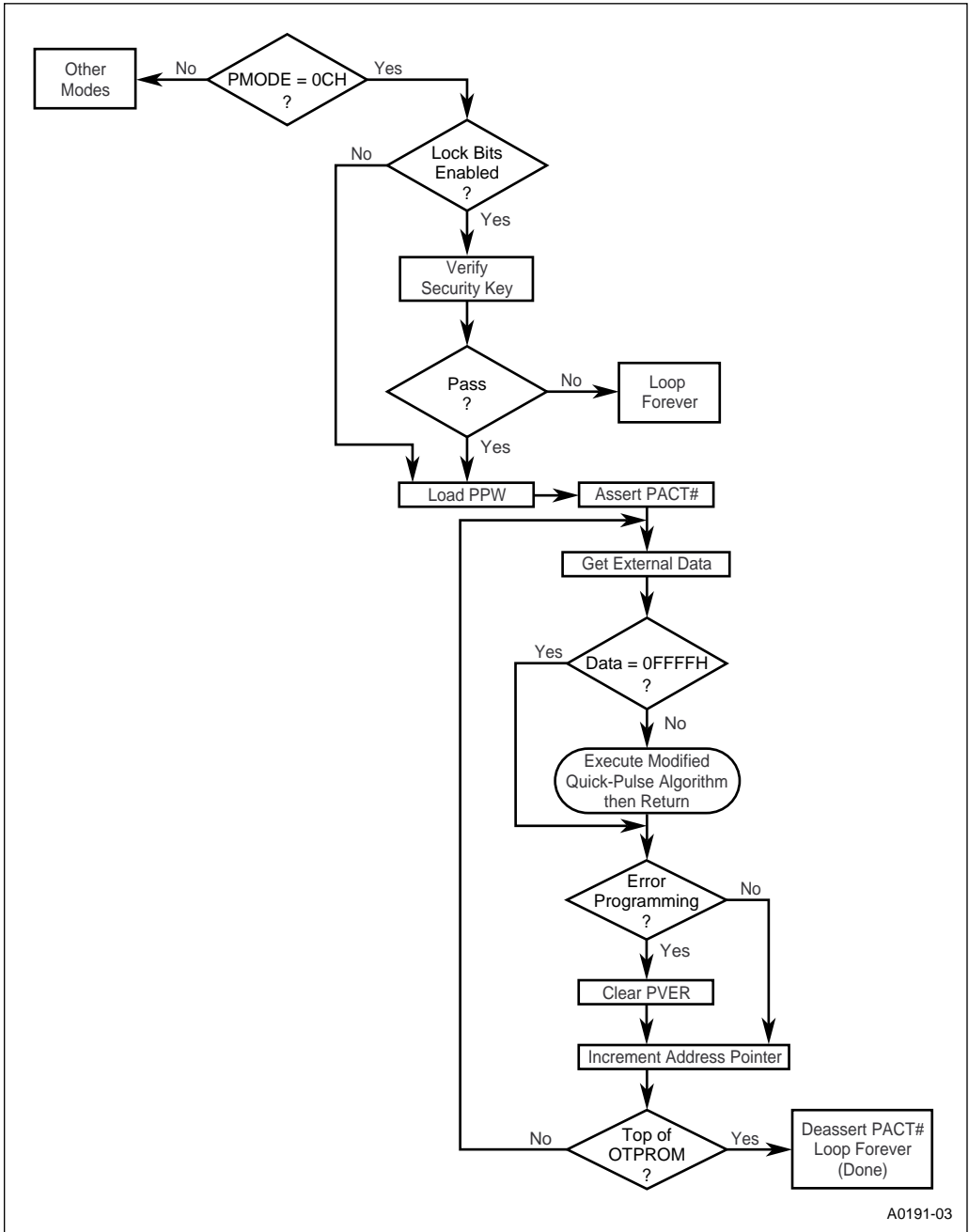
16.9.2 Operating Environment

In the auto programming mode, the PCCBs are loaded into the chip configuration registers. Since the device gets programming data through the external bus, the memory device in the programming system must correspond to the default configuration (Figure 16-6 on page 16-19). Auto programming requires an 8-bit bus configuration, so the circuit must tie the BUSWIDTH pin low. The PCCB defaults allow you to use any standard EPROM that satisfies the AC specifications listed in the device datasheet.

The auto programming mode also loads CCB0 into an internal RAM location and checks the lock bits. If either lock bit is programmed, the auto programming routine compares the internal security key to the external security key location. If the verification fails, the device enters an endless internal loop. If the security keys match, the routine continues. The auto programming routine uses the modified quick-pulse algorithm and the pulse width value programmed into the external EPROM (locations 14H and 15H).

16.9.3 Auto Programming Routine

Figure 16-13 illustrates the auto programming routine. This routine checks the security lock bits in CCB0; if either bit is programmed, it compares the internal security key to the external security key locations. If the security keys match, the routine continues; otherwise, the device enters an endless loop.



A0191-03

Figure 16-13. Auto Programming Routine

If the security key verification is successful, the routine loads the programming pulse width (PPW) value from the external EPROM into the internal PPW register. It then asserts PACT#, indicating that programming has begun. (PACT# is also active during reset, although no programming is in progress.) PVER is initially asserted and remains asserted unless an error is detected, in which case it is deasserted.

The routine then reads the contents of the external EPROM, beginning at 4000H. It skips any word that contains FFFFH (unprogrammed state). When it reads a word that contains any value other than FFFFH, the routine calls the modified quick-pulse algorithm, which writes that value to the OTPROM, using the appropriate number of pulses for the device, then verifies the result. The routine repeats this activity until the entire OTPROM is programmed, then deasserts PACT# and enters an endless loop. It takes approximately 40 seconds to program 16 Kbytes of OTPROM.

16.9.4 Auto Programming Procedure

If a glitch or reset occurs while programming the security key and lock bits, an unknown security key might accidentally be written, rendering the device inaccessible for further programming. To minimize this possibility, follow this recommended programming procedure.

NOTE

All addresses are given for the circuit shown in Figure 16-12 on page 16-27. If you choose a different circuit, you must adjust the addresses accordingly.

1. Using a blank EPROM device, follow these steps to skip programming of CCB0 and program the rest of the OTPROM array, including the security key.
 - Place the programming pulse width (PPW) in external EPROM locations 14H–15H.
 - Leave the external CCB0 location (4018H) unprogrammed (0FFFFH).
 - Place the appropriate CCB1 value at external location 401AH.
 - Place the security key to be programmed in external EPROM locations 4020H–402FH.
 - Place the value 20H in external EPROM locations 4019H and 401BH (for the reserved OTPROM locations that require this value).
 - Place the desired code in the remaining external EPROM locations 4000H and above (see Table 16-11 on page 16-28).
 - Execute the power-up sequence (page 16-15) to initiate auto programming.
 - When programming is complete, execute the powerdown sequence (page 16-15) before continuing to step 2.

2. Using another blank EPROM device, follow these steps to program only CCB0.
 - Place the programming pulse width (PPW) in external locations 14H–15H.
 - Place the appropriate CCB0 value in external location 4018H.
 - Place the security key to be verified in external EPROM locations 0020H–002FH. This value must match the security key programmed in step 1.
 - Leave the remaining EPROM locations unprogrammed (0FFFFH).
 - Execute the power-up sequence (page 16-15) to initiate auto programming.
 - When programming is complete, follow the powerdown sequence (page 16-15).

At this point, you can modify the circuit, then use ROM-dump mode to write the entire OTPROM array to an external memory device and verify its contents. (See “ROM-dump Mode” for details.)

16.9.5 ROM-dump Mode

The ROM-dump mode provides an easy way to verify the contents of the OTPROM array after auto programming. Use the same circuit as for auto programming, but change the connections of the PMODE (P0.7:4) pins. To select ROM-dump mode (PMODE=6H), connect P0.6 and P0.5 to V_{CC} and connect P0.7 and P0.4 to ground. The same bank switching mechanism is used and the memory map is the same as that for auto programming. The example circuit (Figure 16-12 on page 16-27) does not show the necessary $WR\#$ and V_{pp} connections to allow writing to the EPROM. And although the example uses an EPROM, you could also use a RAM device. Alternatively, you could dump the OTPROM contents to any 16-bit parallel port.

For the 8XC196JV, which has 48 Kbytes of OTPROM, use a word-wide memory device or a 16-bit parallel port for the ROM dump. The internal algorithm dumps the first 24 Kbytes of OTPROM (2000–7FFFH) to the 12 Kwords at 2000–4FFFH and the remaining 24 Kbytes (8000–DFFFH) to the 12 Kwords at external locations 5000–7FFFH.

NOTE

If you have programmed the DED bit (USFR.2), ROM-dump mode is disabled. (See “Controlling Fetches from External Memory” on page 16-6).

To enter ROM-dump mode, follow the power-up sequence on page 16-15. The ROM-dump mode checks the security key regardless of the CCR security-lock bits. If you have programmed a security key, a matching key must reside in the external memory; otherwise, the device enters an endless loop. If the security key verifies, ROM-dump mode fetches the PPW, then writes the entire OTPROM array to external memory. PACT# remains low while the dump is in progress, then goes high to indicate that the dump is complete.

16.10 SERIAL PORT PROGRAMMING MODE

The serial port programming mode enables the serial I/O (SIO) port to write data to the OTPROM through the TXD (P2.0) pin and read it through the RXD (P2.1) pin. In this mode, the device executes a program from its internal test ROM. This program is a modified version of the reduced instruction set monitor (RISM) that exists on all 8X9X evaluation boards. The simple hardware setup of this mode makes it useful for in-module testing, programming, and in-line diagnostics. Special software, called IBSP196, simplifies communication between the device and a smart terminal. This software is available free of charge through the Intel BBS. (See “Bulletin Board System (BBS)” on page 1-9.)

NOTE

Serial port programming mode has no provision for security-key verification. If a security key has been programmed, an attempt to enter serial port programming mode causes the device to enter an endless loop.

Entering serial port programming mode with V_{PP} at +12.5 volts allows you to modify code in OTPROM or to program small segments of OTPROM to customize code for a particular module. (Programming more than 2 Kbytes of OTPROM is not recommended in this mode because of its relatively long programming time.)

Entering serial port programming mode with V_{PP} at +5.0 volts enables you to perform these functions:

- download a module-testing program into internal RAM and execute it without altering nonvolatile memory or using dedicated OTPROM software space
- run a segment of code in OTPROM and monitor its performance during execution
- examine the code programmed into the OTPROM
- examine the contents of any register
- manipulate RAM, SFRs, or pin states

16.10.1 Serial Port Programming Circuit and Memory Map

Figure 16-14 shows the recommended circuit for serial port programming. In this mode, data is transmitted and received through the TXD (P2.0) and RXD (P2.1) pins. Connect these pins to any smart terminal capable of communicating with the RISM. Any host that requires an RS-232C interface (such as a PC) must be connected through an RS-232C driver/receiver such as the one shown within the dashed line in Figure 16-14. XTAL1 and XTAL2 can be connected to a crystal with a frequency between 3.5 MHz and 16 MHz. The frequency must correspond to the value in the SP_BAUD register (see “Changing Serial Port Programming Defaults” on page 16-34).

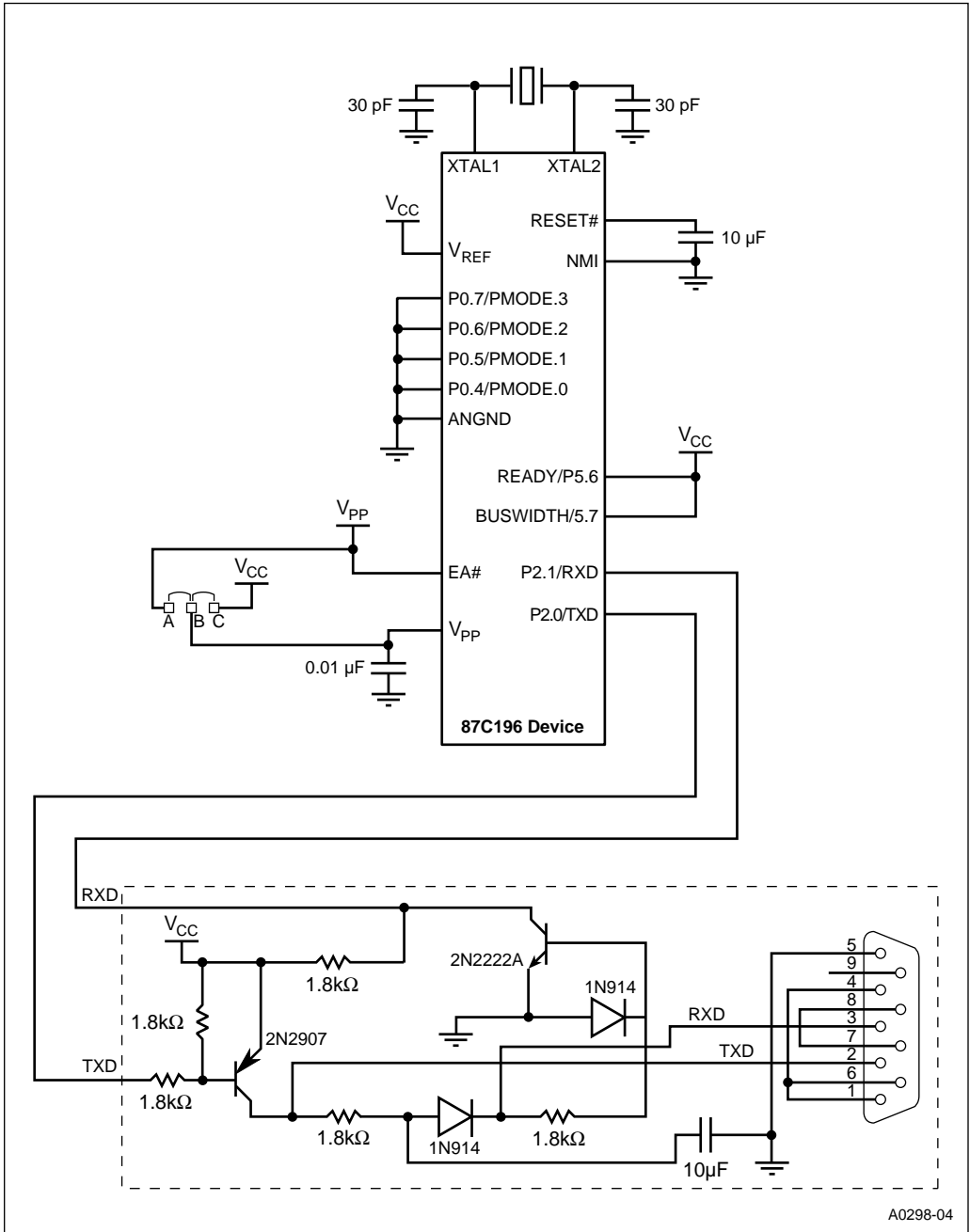


Figure 16-14. Serial Port Programming Mode Circuit

Because the RISM begins at location 2000H in serial port programming mode, the OTPROM locations are automatically remapped as shown in Table 16-12. For example, to access OTPROM location 2000H in serial port programming mode, you must address it as A000H.

Table 16-12. Serial Port Programming Mode Memory Map

Description	Device	Address Range (Hex)	
		Normal Operation	Serial Port Programming Mode
Internal OTPROM	87C196JV	2000–DFFF	A000–FFFF, 8000–DFFF [†]
	87C196CA, JT, KT	2000–9FFF	A000–FFFF, 8000–9FFF ^{††}
	87C196KS	2000–7FFF	A000–FFFF
	87C196JR, KR	2000–5FFF	A000–DFFF
	87C196JQ, KQ	2000–4FFF	A000–CFFF
External memory	87C196CA, JT, KT, JV	—	4000–7FFF
	87C196JQ, KQ, JR, KR, KS	—	4000–9FFF
Do not address	All	—	2400–3FFF
Test ROM and RISM	All	—	2000–23FF

[†]For the 87C196JV, the lower 24 Kbytes of internal OTPROM (2000–7FFFH) are remapped to A000–FFFFH. The upper 24 Kbytes must be addressed as 8000–DFFFH. A bank switching mechanism differentiates between the two address ranges. To program the upper 24 Kbytes of the internal OTPROM, execute this instruction: orb tmr, #80h.

^{††}For the 87C196CA, JT, and KT, the lower 24 Kbytes of internal OTPROM (2000–7FFFH) are remapped to A000–FFFFH. The upper 8 Kbytes must be addressed as 8000–9FFFH.

16.10.2 Changing Serial Port Programming Defaults

Several locations in test ROM are used to control operating parameters. The test ROM routine establishes the default values shown in Table 16-13. To change the default values, write the desired values to the test ROM addresses shown in the table. (Refer to the SP_BAUD, SP_CON, and SP_PPW register descriptions in Appendix C.) After you write the new values to the test ROM locations, the RISM writes the programmed values into the associated registers.

The default programming pulse width is longer than required. To avoid unnecessarily long programming times, change the default value before beginning to program the device. For a 100- μ s pulse width, use the following formula to determine the required PPW_VALUE and write that value to the test ROM location listed in Table 16-13.

$$\text{PPW_VALUE} = (0.6944 \times F_{\text{osc}}) - 1$$

Table 16-13. Serial Port Programming Default Values and Locations

Parameter	RISM Default	Test ROM Address (CA, JQ, JR, JT, JV, KQ, KR)	Test ROM Address (KS, KT)	SFR
Mode	09H; mode 1, receiver enabled	2213H	2215H	SP_CON
Baud rate	8067H; 9600 baud at 16 MHz	2214H	2216H	SP_BAUD
Pulse width	80FFH; 2.30ms per pulse at 16 MHz	2216–2217H	221C–221DH	SP_PPW

16.10.3 Executing Programs from Internal RAM

For those wanting to execute user programs from internal RAM while in serial port programming mode, the RISM allows you to initialize the user program counter (PC), window selection register (WSR), and processor status word (PSW). Table 16-14 lists the registers, the default assumed by the RISM, and the test ROM address to which you may write new values.

Before attempting to execute a program from internal RAM or OTPROM, write the beginning address of the program to the PC at the test ROM address shown in Table 16-14. You need not change the WSR and PSW unless other flags need to be set for the program you are executing. After writing the PC value, issue the GO command, which automatically initializes the PC and begins code execution. When the RISM interrupts or halts the program, it writes the user PC, WSR (which includes INT_MASK1), and PSW (which includes INT_MASK) to the test ROM locations.

Internal RAM locations 4EH–63H are used as registers for serial port programming mode. Programs executing from internal RAM should not alter these locations.

Table 16-14. User Program Register Values and Test ROM Locations

User Program Register	RISM Default	Test ROM Address
PC	2080H	5EH
WSR	1000H	60H
PSW	0200H	62H

16.10.4 Reduced Instruction Set Monitor (RISM)

When you enter serial port programming mode, the device begins executing its RISM program. You communicate with the device by sending RISM commands from any smart terminal across the TXD and RXD pins at a fixed baud rate.

Upon entering serial port programming mode, the device enters a waiting loop, called `Monitor_Pause`, in which it waits for RISM commands to arrive across the serial port. The commands are each one byte in length and have values between 00H and 1FH. A value between 00H and 1FH is considered a command unless it follows a data latch enable (`SET_DLE_FLAG`) command. The `SET_DLE_FLAG` command sets the DLE flag in the MODE register (57H). The DLE flag alerts the RISM to store the next byte in the DATA register, a 32-bit first-in-last-out (FILO) register located at 58H.

When a receive interrupt occurs, the RISM checks the data value and the DLE flag. If the data value is greater than 1FH or if the DLE flag is set, the received byte is considered data and is stored in the DATA register (58H). Each time new data is received, the DATA register is shifted left by eight bits. If the value is between 00H and 1FH and the DLE flag is clear, the received byte is considered a command. Commands are stored in the CHAR register (56H). After it executes each command, the RISM resumes `Monitor_Pause`, except where otherwise noted.

To access a particular address, you must first send the address across the serial port as data. Send it one byte at a time, with the high byte first (the address is always assumed to be 16 bits). The RISM stores the address data in the DATA register. Now you must transfer the address from the DATA register to the ADDR register (5CH) by sending the `DATA_TO_ADDR` command (0AH).

16.10.5 RISM Command Descriptions

Table 16-15 lists and describes the RISM commands. The following sections provide examples.

Table 16-15. RISM Command Descriptions

Value	Command	Description																						
00H	SET_DLE_FLAG	Sets the DLE flag in bit 0 of the MODE register (57H) to tell the RISM that the next byte on the serial port is data that should be loaded into the DATA register (58H). The flag is cleared as soon as the byte is read.																						
02H	TRANSMIT	Transmits the low byte of the DATA register to the serial port through the CHAR register, shifts the DATA register right (long) by eight bits, and increments ADDR by one. <div style="text-align: center; margin-top: 10px;"> <table style="margin: auto; border-collapse: collapse;"> <thead> <tr> <th style="padding: 0 10px;"></th> <th style="border: none; padding: 0 5px;">ADDR</th> <th style="border: none; padding: 0 10px;"></th> <th style="border: none; padding: 0 5px;">DATA</th> <th style="border: none; padding: 0 10px;"></th> <th style="border: none; padding: 0 5px;">SBUF_TX</th> </tr> </thead> <tbody> <tr> <td style="padding: 5px;">Before command</td> <td style="border: 1px solid black; padding: 2px 5px;">22</td> <td style="border: 1px solid black; padding: 2px 5px;">14</td> <td style="border: 1px solid black; padding: 2px 5px;">7A</td> <td style="border: 1px solid black; padding: 2px 5px;">2F</td> <td style="border: 1px solid black; padding: 2px 5px;">80</td> <td style="border: 1px solid black; padding: 2px 5px;">67</td> <td style="border: 1px solid black; width: 40px; height: 20px;"></td> </tr> <tr> <td style="padding: 5px;">After command</td> <td style="border: 1px solid black; padding: 2px 5px;">22</td> <td style="border: 1px solid black; padding: 2px 5px;">15</td> <td style="border: 1px solid black; padding: 2px 5px;">00</td> <td style="border: 1px solid black; padding: 2px 5px;">7A</td> <td style="border: 1px solid black; padding: 2px 5px;">2F</td> <td style="border: 1px solid black; padding: 2px 5px;">80</td> <td style="border: 1px solid black; width: 40px; height: 20px; text-align: center;">67</td> </tr> </tbody> </table> </div>		ADDR		DATA		SBUF_TX	Before command	22	14	7A	2F	80	67		After command	22	15	00	7A	2F	80	67
	ADDR		DATA		SBUF_TX																			
Before command	22	14	7A	2F	80	67																		
After command	22	15	00	7A	2F	80	67																	

Table 16-15. RISM Command Descriptions (Continued)

Value	Command	Description															
04H	READ_BYTE	<p>Puts the contents of the (byte) memory address pointed to by the ADDR register into the low byte of the DATA register.</p> <p style="text-align: right;">Memory Addr.</p> <table style="width: 100%; border-collapse: collapse;"> <thead> <tr> <th style="width: 15%;"></th> <th style="width: 15%; text-align: center;">ADDR</th> <th style="width: 30%; text-align: center;">DATA</th> <th style="width: 15%; text-align: center;">2215</th> <th style="width: 15%; text-align: center;">2214</th> </tr> </thead> <tbody> <tr> <td>Before command</td> <td style="border: 1px solid black; text-align: center;">22 14</td> <td style="border: 1px solid black; text-align: center;"> </td> <td style="border: 1px solid black; text-align: center;">80</td> <td style="border: 1px solid black; text-align: center;">67</td> </tr> <tr> <td>After command</td> <td style="border: 1px solid black; text-align: center;">22 14</td> <td style="border: 1px solid black; text-align: center;"> 67</td> <td style="border: 1px solid black; text-align: center;">80</td> <td style="border: 1px solid black; text-align: center;">67</td> </tr> </tbody> </table>		ADDR	DATA	2215	2214	Before command	22 14		80	67	After command	22 14	67	80	67
	ADDR	DATA	2215	2214													
Before command	22 14		80	67													
After command	22 14	67	80	67													
05H	READ_WORD	<p>Puts the contents of the (word) memory address pointed to by the ADDR register into the low byte of the DATA register.</p> <p style="text-align: right;">Memory Addr.</p> <table style="width: 100%; border-collapse: collapse;"> <thead> <tr> <th style="width: 15%;"></th> <th style="width: 15%; text-align: center;">ADDR</th> <th style="width: 30%; text-align: center;">DATA</th> <th style="width: 15%; text-align: center;">2215</th> <th style="width: 15%; text-align: center;">2214</th> </tr> </thead> <tbody> <tr> <td>Before command</td> <td style="border: 1px solid black; text-align: center;">22 14</td> <td style="border: 1px solid black; text-align: center;"> </td> <td style="border: 1px solid black; text-align: center;">80</td> <td style="border: 1px solid black; text-align: center;">67</td> </tr> <tr> <td>After command</td> <td style="border: 1px solid black; text-align: center;">22 14</td> <td style="border: 1px solid black; text-align: center;"> 80 67</td> <td style="border: 1px solid black; text-align: center;">80</td> <td style="border: 1px solid black; text-align: center;">67</td> </tr> </tbody> </table>		ADDR	DATA	2215	2214	Before command	22 14		80	67	After command	22 14	80 67	80	67
	ADDR	DATA	2215	2214													
Before command	22 14		80	67													
After command	22 14	80 67	80	67													
07H	WRITE_BYTE	<p>Puts the low byte of the DATA register into the memory address pointed to by the ADDR register and increments ADDR by one.</p> <p style="text-align: right;">Memory Addr.</p> <table style="width: 100%; border-collapse: collapse;"> <thead> <tr> <th style="width: 15%;"></th> <th style="width: 15%; text-align: center;">ADDR</th> <th style="width: 30%; text-align: center;">DATA</th> <th style="width: 15%; text-align: center;">2217</th> <th style="width: 15%; text-align: center;">2216</th> </tr> </thead> <tbody> <tr> <td>Before command</td> <td style="border: 1px solid black; text-align: center;">22 16</td> <td style="border: 1px solid black; text-align: center;">2E 11 80 09</td> <td style="border: 1px solid black; text-align: center;">FF</td> <td style="border: 1px solid black; text-align: center;">FF</td> </tr> <tr> <td>After command</td> <td style="border: 1px solid black; text-align: center;">22 17</td> <td style="border: 1px solid black; text-align: center;">2E 11 80 09</td> <td style="border: 1px solid black; text-align: center;">FF</td> <td style="border: 1px solid black; text-align: center;">09</td> </tr> </tbody> </table> <p>NOTE: To write to an OTPROM location, V_{pp} must be at +12.5 volts. To write to an internal RAM location, V_{pp} can be at either +5.0 volts or +12.5 volts.</p>		ADDR	DATA	2217	2216	Before command	22 16	2E 11 80 09	FF	FF	After command	22 17	2E 11 80 09	FF	09
	ADDR	DATA	2217	2216													
Before command	22 16	2E 11 80 09	FF	FF													
After command	22 17	2E 11 80 09	FF	09													
08H	WRITE_WORD	<p>Puts the low word of the DATA register into the memory address pointed to by the ADDR register and increments ADDR by two.</p> <p style="text-align: right;">Memory Addr.</p> <table style="width: 100%; border-collapse: collapse;"> <thead> <tr> <th style="width: 15%;"></th> <th style="width: 15%; text-align: center;">ADDR</th> <th style="width: 30%; text-align: center;">DATA</th> <th style="width: 15%; text-align: center;">2217</th> <th style="width: 15%; text-align: center;">2216</th> </tr> </thead> <tbody> <tr> <td>Before command</td> <td style="border: 1px solid black; text-align: center;">22 16</td> <td style="border: 1px solid black; text-align: center;">2E 11 80 09</td> <td style="border: 1px solid black; text-align: center;">FF</td> <td style="border: 1px solid black; text-align: center;">FF</td> </tr> <tr> <td>After command</td> <td style="border: 1px solid black; text-align: center;">22 18</td> <td style="border: 1px solid black; text-align: center;">2E 11 80 09</td> <td style="border: 1px solid black; text-align: center;">80</td> <td style="border: 1px solid black; text-align: center;">09</td> </tr> </tbody> </table> <p style="text-align: center;">NOTE</p> <p>To write to an OTPROM location, V_{pp} must be at +12.5 volts. To write to an internal RAM location, V_{pp} can be at either +5.0 volts or +12.5 volts.</p>		ADDR	DATA	2217	2216	Before command	22 16	2E 11 80 09	FF	FF	After command	22 18	2E 11 80 09	80	09
	ADDR	DATA	2217	2216													
Before command	22 16	2E 11 80 09	FF	FF													
After command	22 18	2E 11 80 09	80	09													

Table 16-15. RISM Command Descriptions (Continued)

Value	Command	Description																					
0AH	DATA_TO_ADDR	<p>Puts the low word of the DATA register into the ADDR register.</p> <table style="margin-left: auto; margin-right: auto;"> <thead> <tr> <th></th> <th colspan="2">ADDR</th> <th colspan="4">DATA</th> </tr> </thead> <tbody> <tr> <td>Before command</td> <td style="border: 1px solid black; width: 20px; height: 20px;"></td> <td style="border: 1px solid black; width: 20px; height: 20px;"></td> <td style="border: 1px solid black; width: 20px; height: 20px; text-align: center;">F1</td> <td style="border: 1px solid black; width: 20px; height: 20px; text-align: center;">05</td> <td style="border: 1px solid black; width: 20px; height: 20px; text-align: center;">22</td> <td style="border: 1px solid black; width: 20px; height: 20px; text-align: center;">16</td> </tr> <tr> <td>After command</td> <td style="border: 1px solid black; width: 20px; height: 20px; text-align: center;">22</td> <td style="border: 1px solid black; width: 20px; height: 20px; text-align: center;">16</td> <td style="border: 1px solid black; width: 20px; height: 20px; text-align: center;">F1</td> <td style="border: 1px solid black; width: 20px; height: 20px; text-align: center;">05</td> <td style="border: 1px solid black; width: 20px; height: 20px; text-align: center;">22</td> <td style="border: 1px solid black; width: 20px; height: 20px; text-align: center;">16</td> </tr> </tbody> </table>		ADDR		DATA				Before command			F1	05	22	16	After command	22	16	F1	05	22	16
	ADDR		DATA																				
Before command			F1	05	22	16																	
After command	22	16	F1	05	22	16																	
0BH	INDIRECT	<p>Puts the word from the memory address pointed to by the ADDR register into the ADDR register.</p> <table style="margin-left: auto; margin-right: auto;"> <thead> <tr> <th></th> <th colspan="2">ADDR</th> <th colspan="2">Memory Addr.</th> </tr> <tr> <th></th> <th colspan="2"></th> <th>2217</th> <th>2216</th> </tr> </thead> <tbody> <tr> <td>Before command</td> <td style="border: 1px solid black; width: 20px; height: 20px; text-align: center;">22</td> <td style="border: 1px solid black; width: 20px; height: 20px; text-align: center;">16</td> <td style="border: 1px solid black; width: 20px; height: 20px; text-align: center;">80</td> <td style="border: 1px solid black; width: 20px; height: 20px; text-align: center;">09</td> </tr> <tr> <td>After command</td> <td style="border: 1px solid black; width: 20px; height: 20px; text-align: center;">80</td> <td style="border: 1px solid black; width: 20px; height: 20px; text-align: center;">09</td> <td style="border: 1px solid black; width: 20px; height: 20px; text-align: center;">80</td> <td style="border: 1px solid black; width: 20px; height: 20px; text-align: center;">09</td> </tr> </tbody> </table>		ADDR		Memory Addr.					2217	2216	Before command	22	16	80	09	After command	80	09	80	09	
	ADDR		Memory Addr.																				
			2217	2216																			
Before command	22	16	80	09																			
After command	80	09	80	09																			
12H	GO	<p>PUSHes the user PC, PSW, and WSR onto the stack and starts your program from the location contained in the user PC. The RISM PC, PSW, and WSR will also be in the stack, so allow enough room on the stack for all six words. Your program must not directly alter memory locations 56H–5CH; the RISM uses these locations if your program reads from or writes to any memory.</p> <p>You can interrogate memory locations while your program is running. The RISM interrupts your program to process the command, then returns execution to your program.</p>																					
13H	HALT	<p>Stops executing your program, POPs the user PC, PSW, and WSR from the stack, and PUSHes the RISM PC, PSW, and WSR back onto the stack. The RISM PC contains the location of the Monitor_Pause routine, so the RISM returns to Monitor_Pause.</p>																					
14H	REPORT	<p>Loads a value into the DATA register. This value indicates the status of your program:</p> <table style="margin-left: auto; margin-right: auto;"> <thead> <tr> <th>Value</th> <th>Status</th> </tr> </thead> <tbody> <tr> <td>00</td> <td>halted</td> </tr> <tr> <td>01</td> <td>running</td> </tr> <tr> <td>02</td> <td>trapped</td> </tr> </tbody> </table>	Value	Status	00	halted	01	running	02	trapped													
Value	Status																						
00	halted																						
01	running																						
02	trapped																						

16.10.6 RISM Command Examples

This section provides examples of ways in which you might use the RISM commands.

16.10.6.1 Example 1 — Programming the PPW

You should specify the programming pulse width before you do any programming or write to any memory locations. This example assumes an 87C196KT device. It loads the SP_PPW register (221CH/221DH) with 8010H, the minimum value for 16-MHz operation. (See “Programming Pulse Width” on page 16-8 to determine the correct PPW for other frequencies.)

Before this programming step takes place, the SP_PPW register contains its default value, 80FFH. The PPW is equal to 2.30 ms, so this program step will take 11.52 ms per word to complete (5 pulses of 2.30ms each). After the PPW value is changed, subsequent programming operations will take only 500 μs per word (5 pulses of 100 μs each).

Because an OTPROM location is being altered, V_{pp} must be at +12.5 volts. RISM commands must be sent across the serial port one byte at a time, and a SET_DLE_FLAG command must precede any data byte that is less than 1FH. The address being modified must first be loaded into the DATA register, then transferred to the ADDR register.

Send	Comments (Example 1)	DATA	ADDR							
22	Data. High byte of address to DATA register.	<table border="1"><tr><td></td><td></td><td></td><td>22</td></tr></table>				22	<table border="1"><tr><td></td><td></td></tr></table>			
			22							
00	SET_DLE_FLAG. The next data byte is < 1FH.	<table border="1"><tr><td></td><td></td><td></td><td>22</td></tr></table>				22	<table border="1"><tr><td></td><td></td></tr></table>			
			22							
1C	Data. Low byte of address to DATA register.	<table border="1"><tr><td></td><td></td><td>22</td><td>1C</td></tr></table>			22	1C	<table border="1"><tr><td></td><td></td></tr></table>			
		22	1C							
0A	DATA_TO_ADDR. Move address to ADDR.	<table border="1"><tr><td></td><td></td><td>22</td><td>1C</td></tr></table>			22	1C	<table border="1"><tr><td>22</td><td>1C</td></tr></table>	22	1C	
		22	1C							
22	1C									
80	Data. High byte of data to DATA register.	<table border="1"><tr><td></td><td>22</td><td>1C</td><td>80</td></tr></table>		22	1C	80	<table border="1"><tr><td>22</td><td>1C</td></tr></table>	22	1C	
	22	1C	80							
22	1C									
00	SET_DLE_FLAG. The next data byte is < 1FH.	<table border="1"><tr><td></td><td>22</td><td>1C</td><td>80</td></tr></table>		22	1C	80	<table border="1"><tr><td>22</td><td>1C</td></tr></table>	22	1C	
	22	1C	80							
22	1C									
10	Data. Low byte of data to DATA register.	<table border="1"><tr><td>22</td><td>1C</td><td>80</td><td>10</td></tr></table>	22	1C	80	10	<table border="1"><tr><td>22</td><td>1C</td></tr></table>	22	1C	
22	1C	80	10							
22	1C									
08	WRITE_WORD. Low word of DATA to memory location 221C (contents of ADDR). Increment ADDR by two.	<table border="1"><tr><td>22</td><td>1C</td><td>80</td><td>10</td></tr></table>	22	1C	80	10	<table border="1"><tr><td>22</td><td>1C</td></tr></table>	22	1C	
22	1C	80	10							
22	1C									
		Memory Addresses								
		<table border="1"> <tr> <td style="text-align: center;">221D</td> <td style="text-align: center;">221C</td> </tr> <tr> <td style="text-align: center;">80</td> <td style="text-align: center;">10</td> </tr> </table>		221D	221C	80	10	<table border="1"> <tr> <td>22</td> <td>1E</td> </tr> </table>	22	1E
221D	221C									
80	10									
22	1E									

Any write operation can be done in this manner.

16.10.6.2 Example 2 — Reading OTPROM Contents

This example reads the contents of OTPROM address A080H. Because the OTPROM is remapped from 2000H to A000H, the location read is actually 2080H of the program in OTPROM. This example assumes that the word at location 2080H is 8067H, the assembled hex value of the code. No OTPROM locations are changed, so V_{PP} can be either +12.5 volts or +5 volts.

Send	Comments (Example 2)	DATA	ADDR						
A0	Data. High byte of address to DATA register.	<table border="1"><tr><td></td><td></td><td></td><td>A0</td></tr></table>				A0	<table border="1"><tr><td></td><td></td></tr></table>		
			A0						
80	Data. Low byte of address to DATA register.	<table border="1"><tr><td></td><td></td><td>A0</td><td>80</td></tr></table>			A0	80	<table border="1"><tr><td></td><td></td></tr></table>		
		A0	80						
0A	DATA_TO_ADDR. Move address to DATA register.	<table border="1"><tr><td></td><td></td><td>A0</td><td>80</td></tr></table>			A0	80	<table border="1"><tr><td>A0</td><td>80</td></tr></table>	A0	80
		A0	80						
A0	80								
05	READ_WORD. Put word at A080H into DATA.	<table border="1"><tr><td>A0</td><td>80</td><td>80</td><td>67</td></tr></table>	A0	80	80	67	<table border="1"><tr><td>A0</td><td>80</td></tr></table>	A0	80
A0	80	80	67						
A0	80								
02	TRANSMIT. Transmit low byte of DATA across the serial port, increment ADDR by one, and shift DATA right long by eight bits.	<table border="1"><tr><td>00</td><td>A0</td><td>80</td><td>80</td></tr></table>	00	A0	80	80	<table border="1"><tr><td>A0</td><td>81</td></tr></table>	A0	81
00	A0	80	80						
A0	81								
02	TRANSMIT. Transmit low byte of DATA across the serial port, increment ADDR by one, and shift DATA right long by eight bits.	<table border="1"><tr><td>00</td><td>00</td><td>A0</td><td>80</td></tr></table>	00	00	A0	80	<table border="1"><tr><td>A0</td><td>82</td></tr></table>	A0	82
00	00	A0	80						
A0	82								

Any address can be read in this manner, including register RAM, internal RAM, and SFRs.

16.10.6.3 Example 3 — Loading a Program into Internal RAM

This example loads a program into internal RAM. No OTPROM locations are changed, so V_{PP} can be either +12.5 volts or +5 volts. The following program is to be loaded:

```
400 A1221180 LD 80H, #1122H ;Puts 1122H into register RAM location 80H
404 27FE SJMP 0404H ;Jumps to itself to keep program running
;indefinitely
```

The hex file must be loaded one byte at a time using the RISM commands.

Send	Comments (Example 3)	DATA	ADDR						
00	SET_DLE_FLAG. Next data byte is < 1FH.	<table border="1"><tr><td> </td><td> </td><td> </td><td> </td></tr></table>					<table border="1"><tr><td> </td><td> </td></tr></table>		
04	Data. High byte of address 0400H.	<table border="1"><tr><td> </td><td> </td><td> </td><td>04</td></tr></table>				04	<table border="1"><tr><td> </td><td> </td></tr></table>		
			04						
00	SET_DLE_FLAG. Next data byte is < 1FH.	<table border="1"><tr><td> </td><td> </td><td> </td><td>04</td></tr></table>				04	<table border="1"><tr><td> </td><td> </td></tr></table>		
			04						
00	Data. Low byte of address 0400H.	<table border="1"><tr><td> </td><td> </td><td>04</td><td>00</td></tr></table>			04	00	<table border="1"><tr><td> </td><td> </td></tr></table>		
		04	00						
0A	DATA_TO_ADDR. Move address to ADDR.	<table border="1"><tr><td> </td><td> </td><td>04</td><td>00</td></tr></table>			04	00	<table border="1"><tr><td>04</td><td>00</td></tr></table>	04	00
		04	00						
04	00								
A1	Data. High byte of hex file for location 0401H.	<table border="1"><tr><td> </td><td>04</td><td>00</td><td>A1</td></tr></table>		04	00	A1	<table border="1"><tr><td>04</td><td>00</td></tr></table>	04	00
	04	00	A1						
04	00								
22	Data. Low byte of hex file for location 0400H.	<table border="1"><tr><td>04</td><td>00</td><td>A1</td><td>22</td></tr></table>	04	00	A1	22	<table border="1"><tr><td>04</td><td>00</td></tr></table>	04	00
04	00	A1	22						
04	00								
08	WRITE_WORD. Low word of DATA to memory location 0400 (contents of ADDR). Increment ADDR by two.	<table border="1"><tr><td>04</td><td>00</td><td>A1</td><td>22</td></tr></table>	04	00	A1	22	<table border="1"><tr><td>04</td><td>00</td></tr></table>	04	00
04	00	A1	22						
04	00								
		Memory Addresses <table border="1"> <tr> <td style="text-align: center;">0401</td> <td style="text-align: center;">0400</td> </tr> <tr> <td style="text-align: center;">A1</td> <td style="text-align: center;">22</td> </tr> </table>		0401	0400	A1	22		
0401	0400								
A1	22								
00	SET_DLE_FLAG. Next data byte is < 1FH.	<table border="1"><tr><td>04</td><td>00</td><td>A1</td><td>22</td></tr></table>	04	00	A1	22	<table border="1"><tr><td>04</td><td>02</td></tr></table>	04	02
04	00	A1	22						
04	02								
11	Data. High byte of hex file for location 0403H.	<table border="1"><tr><td>00</td><td>A1</td><td>22</td><td>11</td></tr></table>	00	A1	22	11	<table border="1"><tr><td>04</td><td>02</td></tr></table>	04	02
00	A1	22	11						
04	02								
00	SET_DLE_FLAG. Next data byte is < 1FH.	<table border="1"><tr><td>00</td><td>A1</td><td>22</td><td>11</td></tr></table>	00	A1	22	11	<table border="1"><tr><td>04</td><td>02</td></tr></table>	04	02
00	A1	22	11						
04	02								
80	Data. Low byte of hex file for location 0402H.	<table border="1"><tr><td>A1</td><td>22</td><td>11</td><td>80</td></tr></table>	A1	22	11	80	<table border="1"><tr><td>04</td><td>02</td></tr></table>	04	02
A1	22	11	80						
04	02								
08	WRITE_WORD. Low word of DATA to memory location 0402 (contents of ADDR). Increment ADDR by two.	<table border="1"><tr><td>A1</td><td>22</td><td>11</td><td>80</td></tr></table>	A1	22	11	80	<table border="1"><tr><td>04</td><td>02</td></tr></table>	04	02
A1	22	11	80						
04	02								
		Memory Addresses <table border="1"> <tr> <td style="text-align: center;">0403</td> <td style="text-align: center;">0402</td> </tr> <tr> <td style="text-align: center;">11</td> <td style="text-align: center;">80</td> </tr> </table>		0403	0402	11	80		
0403	0402								
11	80								
		<table border="1"><tr><td>11</td><td>80</td></tr></table>	11	80	<table border="1"><tr><td>04</td><td>04</td></tr></table>	04	04		
11	80								
04	04								



Send	Comments (Example 3)	DATA	ADDR
27	Data. High byte of hex file for location 0405H.	22 11 80 27	04 04
FE	Data. Low byte of hex file for location 0404H.	11 80 27 FE	04 04
08	WRITE_WORD. Low word of DATA to memory location 0404 (contents of ADDR). Increment ADDR by two.	11 80 27 FE	04 04
		Memory Addresses	
		0405	0404
		27 FE	04 06

16.10.6.4 Example 4 — Setting the PC and Executing the Program

This example sets the PC and begins executing the program loaded in example 3. The PC (at location 5EH) must be set at 400H to tell the RISM where to begin execution of the program. The WSR and PSW are automatically set to their default values (1000H and 200H, respectively), but can be changed in this same manner. No OTPROM locations are changed, so V_{pp} can be either +12.5 volts or +5 volts.

Send	Comments (Example 4)	DATA	ADDR
00	SET_DLE_FLAG. Next data byte is < 1FH.		
00	Data. High byte of PC address 005EH.		00
5E	Data. Low byte of PC address 005EH.	00 5E	
0A	DATA_TO_ADDR. Move address to ADDR.	00 5E	00 5E
00	SET_DLE_FLAG. Next data byte is < 1FH.	00 5E	00 5E
04	Data. High byte of program address 0400H.	00 5E 04	00 5E
00	SET_DLE_FLAG. Next data byte is < 1FH.	00 5E 04	00 5E
00	Data. Low byte of program address 0400H.	00 5E 04 00	00 5E

Send	Comments (Example 4)	DATA	ADDR
08	WRITE_WORD. Low word of DATA to PC location 005EH (contents of ADDR). Increment ADDR by two.	00 5E 04 00	00 5E
Memory Addresses			
		005F 005E	
		04 00	00 60
12	GO. PUSHes the user PC onto the stack and begins program execution at 0400H. (Had they been changed, GO would also PUSH the PSW and WSR.)	00 5E 04 00	00 60

You can now interrogate memory locations using RISM commands. Reading location 80H using the method shown in example 2 will return 1122H (the value that the executing program loaded into that location). A REPORT command (14H) will place “01” into the DATA register, indicating that a program is running. A HALT command (13H) will stop execution of the program. The PC will be reset to the Monitor_Pause location. At this point, a REPORT command (14H) will place “00” into the DATA register, indicating that the program is halted.

16.10.6.5 Writing to OTPROM with Examples 3 and 4

If a program writes to OTPROM or if it is to be loaded into an OTPROM location, +12.5 volts must be applied to V_{pp} . There are other considerations, as well.

Assume that the program in examples 3 and 4 attempted to write OTPROM location A500H with the value 1122H. Changing the contents of location A500H alters any code programmed at 2500H because that location has been remapped to A500H. Any bits at 2500H that are zero cannot be changed to one.

Assume that the program is loaded into OTPROM locations A000–A004H. Changing the contents of those locations alters any code programmed at 2000–2004H because those locations have been remapped to A000–A004H. Any bits in those locations that are zero cannot be changed to one, so you may get unexpected results. (Internal RAM can always be altered to any value.)

16.11 RUN-TIME PROGRAMMING

You can program an OTPROM location during normal code execution. To make the OTPROM array accessible, apply V_{CC} voltage to EA# while you reset the device. Apply V_{PP} voltage to the V_{PP} pin during the entire programming process. Then simply write to the location to be programmed.

NOTE

Programming either security-lock bit in CCB0 disables run-time programming. (For details, see “Controlling Access to the OTPROM During Normal Operation” on page 16-4.)

Immediately after writing to the OTPROM, the device must either enter idle mode or execute code from external memory. An access to OTPROM would abort the current programming cycle. Each programming cycle begins when a word is written to the OTPROM and ends when the next OTPROM access occurs. Each word requires a total of five programming cycles, each of which must be approximately 100 μ s in duration.

Figure 16-15 is a run-time programming example. It performs five programming cycles for each word. After each programming cycle, the code causes the device to enter idle mode. EPA0 causes the device to exit idle mode at the appropriate time. To ensure that the device does not exit idle mode prematurely, all other interrupts are disabled.

The routine assumes that the following conditions are true:

- the EPA is dedicated to run-time programming
- timer 1 is configured to use an internal clock
- EPA0_ISR is assigned as the EPA0 interrupt vector.

It also assumes that the following constants and registers are assigned:

CLEAR_EPA0	constant (0EFH) that clears the EPA0 interrupt pending bit
ENABLE_EPA0	constant (10H) that enables only the EPA0 interrupt
EPA0_TIMER	constant (40H) that sets up EPA0 as a software timer using timer 1
PGM_PULSE	constant that determines programming pulse width
ADDR_TEMP	register that contains the address to be programmed
COUNT	count register
DATA_TEMP	register that contains the data to be programmed
TEMP0	temporary register

The calling routine must pass two parameters to this routine — the data to be programmed (in DATA_TEMP) and the address (in ADDR_TEMP).

```
PROGRAM:
    PUSHA                                ;clear PSW, WSR, INT_MASK, INT_MASK1
    LD  WSR,#7BH                          ;select 32-byte window with EPA0_CON
    LD  COUNT,#5                          ;set up for 5 programming cycles
    ANDB INT_PEND,#CLEAR_EPA0             ;clear EPA0 pending bit
    LDB INT_MASK,#ENABLE_EPA0            ;enable EPA0 interrupt
    LDB EPA0_CON,#EPA0_TIMER              ;set up EPA0 as software timer
LOOP:
    LD  TEMP0,TIMER1                      ;load TIMER1 value into TEMP0
    ADD  EPA0_TIME,TEMP0,#PGM_PULSE       ;load EPA0_TIME with TIMER1 + PGM_PULSE
    EI                                       ;enable unmasked interrupt(EPA0)
    ST  DATA_TEMP,[ADDR_TEMP]           ;store passed data at passed address
    IDLPD #1                               ;enter idle mode
    DJNZ COUNT,LOOP                       ;decrement COUNT and loop if not 0
                                           ;to complete 5 programming cycles
    POPA                                    ;restore PSW, WSR, and INT_MASKs
    RET
EPA0_ISR:
    RET
```

Figure 16-15. Run-time Programming Code Example



Instruction Set Reference



APPENDIX A

INSTRUCTION SET REFERENCE

This appendix provides reference information for the instruction set of the family of MCS[®] 96 microcontrollers. It defines the processor status word (PSW) flags, describes each instruction, shows the relationships between instructions and processor status word (PSW) flags, and shows hexadecimal opcodes, instruction lengths, and execution times. It includes the following tables.

- Table A-1 on page A-2 is a map of the opcodes.
- Table A-2 on page A-4 defines the processor status word (PSW) flags.
- Table A-3 on page A-5 shows the effect of the PSW flags or a specified register bit on conditional jump instructions.
- Table A-4 on page A-5 defines the symbols used in Table A-6.
- Table A-5 on page A-6 defines the variables used in Table A-6 to represent instruction operands.
- Table A-6 on page A-7 lists the instructions alphabetically, describes each of them, and shows the effect of each instruction on the PSW flags.
- Table A-7 beginning on page A-42 lists the instruction opcodes, in hexadecimal order, along with the corresponding instruction mnemonics.
- Table A-8 on page A-48 lists instruction lengths and opcodes for each applicable addressing mode.
- Table A-9 on page A-54 lists instruction execution times, expressed in state times.

NOTE

The # symbol prefixes an immediate value in immediate addressing mode. Chapter 3, “Programming Considerations,” describes the operand types and addressing modes.

Table A-1. Opcode Map (Left Half)

Opcode	x0	x1	x2	x3	x4	x5	x6	x7
0x	SKIP	CLR	NOT	NEG	XCH di	DEC	EXT	INC
1x		CLRB	NOTB	NEGB	XCHB di	DECB	EXTB	INCB
2x	SJMP							
3x	JBC							
	bit 0	bit 1	bit 2	bit 3	bit 4	bit 5	bit 6	bit 7
4x	AND 3op				ADD 3op			
	di	im	in	ix	di	im	in	ix
5x	ANDB 3op				ADDB 3op			
	di	im	in	ix	di	im	in	ix
6x	AND 2op				ADD 2op			
	di	im	in	ix	di	im	in	ix
7x	ANDB 2op				ADDB 2op			
	di	im	in	ix	di	im	in	ix
8x	OR				XOR			
	di	im	in	ix	di	im	in	ix
9x	ORB				XORB			
	di	im	in	ix	di	im	in	ix
Ax	LD				ADDC			
	di	im	in	ix	di	im	in	ix
Bx	LDB				ADDCB			
	di	im	in	ix	di	im	in	ix
Cx	ST di	BMOV	ST in	ix	STB di	CMPL	STB in	ix
Dx	JNST	JNH	JGT	JNC	JNVT	JNV	JGE	JNE
Ex	DJNZ	DJNZW	TIJMP	BR in				LJMP
Fx	RET		PUSHF	POPF	PUSHA	POPA	IDLDP	TRAP

NOTE: The first digit of the opcode is listed vertically, and the second digit is listed horizontally. The related instruction mnemonic is shown at the intersection of the two digits. Shading indicates reserved opcodes. If the CPU attempts to execute an unimplemented opcode, an interrupt occurs. For more information, see "Unimplemented Opcode" on page 5-6.

Table A-1. Opcode Map (Right Half)

Opcode	x8	x9	xA	xB	xC	xD	xE	xF
0x	SHR	SHL	SHRA	XCH ix	SHRL	SHLL	SHRAL	NORML
1x	SHRB	SHLB	SHRAB	XCHB ix	(Note 1)	(Note 1)	(Note 1)	(Note 1)
2x	SCALL							
3x	JBS							
	bit 0	bit 1	bit 2	bit 3	bit 4	bit 5	bit 6	bit 7
4x	SUB 3op				MULU 3op (Note 2)			
	di	im	in	ix	di	im	in	ix
5x	SUBB 3op				MULUB 3op (Note 2)			
	di	im	in	ix	di	im	in	ix
6x	SUB 2op				MULU 2op (Note 2)			
	di	im	in	ix	di	im	in	ix
7x	SUBB 2op				MULUB 2op (Note 2)			
	di	im	in	ix	di	im	in	ix
8x	CMP				DIVU (Note 2)			
	di	im	in	ix	di	im	in	ix
9x	CMPB				DIVUB (Note 2)			
	di	im	in	ix	di	im	in	ix
Ax	SUBC				LDBZE			
	di	im	in	ix	di	im	in	ix
Bx	SUBCB				LDBSE			
	di	im	in	ix	di	im	in	ix
Cx	PUSH				POP	BMOVI	POP	
	di	im	in	ix	di		in	ix
Dx	JST	JH	JLE	JC	JVT	JV	JLT	JE
Ex	(Note 1)	(Note 1)	(Note 1)	(Note 1)	DPTS	(Note 1)	(Note 1)	LCALL
Fx	CLRC	SETC	DI	EI	CLRVT	NOP	signed MUL/DIV (Note 2)	RST

NOTES:

1. For the 8XC196KS and KT only, this opcode is reserved, but it does not generate an unimplemented opcode interrupt.
2. Signed multiplication and division are two-byte instructions. The first byte is "FE" and the second is the opcode of the corresponding unsigned instruction.

Table A-2. Processor Status Word (PSW) Flags

Mnemonic	Description
C	<p>The carry flag is set to indicate an arithmetic carry from the MSB of the ALU or the state of the last bit shifted out of an operand. If a subtraction operation generates a borrow, the carry flag is cleared.</p> <p>C Value of Bits Shifted Off</p> <p>0 < ½ LSB</p> <p>1 ≥ ½ LSB</p> <p>Normally, the result is rounded up if the carry flag is set. The sticky bit flag allows a finer resolution in the rounding decision.</p> <p>C ST Value of Bits Shifted Off</p> <p>0 0 = 0</p> <p>0 1 > 0 and < ½ LSB</p> <p>1 0 = ½ LSB</p> <p>1 1 > ½ LSB and < 1 LSB</p>
N	<p>The negative flag is set to indicate that an operation generated a negative result. It is correct even if an overflow occurs. For all shift operations and the NORML instruction, the flag is set or cleared to equal the most-significant bit of the result, even if the shift count is zero.</p>
ST	<p>The sticky bit flag is set to indicate that, during a right shift, a “1” has been shifted into the carry flag and then shifted out. This bit is undefined after a multiply operation. The sticky bit flag can be used with the carry flag to allow finer resolution in rounding decisions. See the description of the carry (C) flag for details.</p>
V	<p>The overflow flag is set to indicate that the result of an operation is too large to be represented correctly in the available space.</p> <p>For shift operations, the flag is set if the most-significant bit of the operand changes during the shift.</p> <p>For divide operations, the quotient is stored in the low-order half of the destination operand and the remainder is stored in the high-order half. The overflow flag is set if the quotient is outside the range for the low-order half of the destination operand. (Chapter 3, “Programming ConsiderAtions,” defines the operands and possible values for each.)</p> <p>Instruction Quotient Stored in: V Flag Set if Quotient is:</p> <p>DIVB Short-Integer < -128 (81H) or > +127 (7FH)</p> <p>DIV Integer < -32768 (8001H) or > +32767 (7FFFH)</p> <p>DIVUB Byte > 255 (0FFH)</p> <p>DIVU Word > 65535 (0FFFFH)</p>
VT	<p>The overflow-trap flag is set when the overflow flag is set, but it is cleared only by the CLRVT, JVT, and JNVT instructions. This allows testing for a possible overflow at the end of a sequence of related arithmetic operations, which is generally more efficient than testing the overflow flag after each operation.</p>
Z	<p>The zero flag is set to indicate that the result of an operation was zero. For add-with-carry and subtract-with-borrow operations, the flag is never set, but it is cleared if the result is other than zero. Therefore, the zero flag indicates the correct zero or non-zero result for multiple-precision calculations.</p>

Table A-3 shows the effect of the PSW flags or a specified register bit on conditional jump instructions. Table A-4 defines the symbols used in Table A-6 to show the effect of each instruction on the PSW flags.

Table A-3. Effect of PSW Flags or Specified Bits on Conditional Jump Instructions

Instruction	Jumps to Destination if	Continues if
DJNZ	decremented byte $\neq 0$	decremented byte = 0
DJNZW	decremented word $\neq 0$	decremented word = 0
JBC	specified register bit = 0	specified register bit = 1
JBS	specified register bit = 1	specified register bit = 0
JNC	C = 0	C = 1
JNH	C = 0 OR Z = 1	C = 1 AND Z = 0
JC	C = 1	C = 0
JH	C = 1 AND Z = 0	C = 0 OR Z = 1
JGE	N = 0	N = 1
JGT	N = 0 AND Z = 0	N = 1 OR Z = 1
JLT	N = 1	N = 0
JLE	N = 1 OR Z = 1	N = 0 AND Z = 0
JNST	ST = 0	ST = 1
JST	ST = 1	ST = 0
JNV	V = 0	V = 1
JV	V = 1	V = 0
JNVT	VT = 0	VT = 1 (clears VT)
JVT	VT = 1 (clears VT)	VT = 0
JNE	Z = 0	Z = 1
JE	Z = 1	Z = 0

Table A-4. PSW Flag Setting Symbols

Symbol	Description
✓	The instruction sets or clears the flag, as appropriate.
—	The instruction does not modify the flag.
↓	The instruction may clear the flag, if it is appropriate, but cannot set it.
↑	The instruction may set the flag, if it is appropriate, but cannot clear it.
1	The instruction sets the flag.
0	The instruction clears the flag.
?	The instruction leaves the flag in an indeterminate state.

Table A-5 defines the variables that are used in Table A-6 to represent the instruction operands.

Table A-5. Operand Variables

Variable	Description
aa	A 2-bit field within an opcode that selects the basic addressing mode used. This field is present only in those opcodes that allow addressing mode options. The field is encoded as follows: 00 register-direct 01 immediate 10 indirect 11 indexed
baop	A byte operand that is addressed by any addressing mode.
bbb	A 3-bit field within an opcode that selects a specific bit within a register.
bitno	A 3-bit field within an opcode that selects one of the eight bits in a byte.
breg	A byte register in the internal register file. When it could be unclear whether this variable refers to a source or a destination register, it is prefixed with an <i>S</i> or a <i>D</i> . The value must be in the range of 00–FFH.
cadd	An address in the program code.
Dbreg [†]	A byte register in the lower register file that serves as the destination of the instruction operation.
disp	Displacement. The distance between the end of an instruction and the target label.
Dlreg [†]	A 32-bit register in the lower register file that serves as the destination of the instruction operation. Must be aligned on an address that is evenly divisible by 4. The value must be in the range of 00–FCH.
Dwreg [†]	A word register in the lower register file that serves as the destination of the instruction operation. Must be aligned on an address that is evenly divisible by 2. The value must be in the range of 00–FEH.
lreg	A 32-bit register in the lower register file. Must be aligned on an address that is evenly divisible by 4. The value must be in the range of 00–FCH.
preg	A pointer register. Must be aligned on an address that is evenly divisible by 4. The value must be in the range of 00–FCH.
Sbreg [†]	A byte register in the lower register file that serves as the source of the instruction operation.
Slreg [†]	A 32-bit register in the lower register file that serves as the source of the instruction operation. Must be aligned on an address that is evenly divisible by 4. The value must be in the range of 00–FCH.
Swreg [†]	A word register in the lower register file that serves as the source of the instruction operation. Must be aligned on an address that is evenly divisible by 2. The value must be in the range of 00–FEH.
waop	A word operand that is addressed by any addressing mode.
w2_reg	A double-word register in the lower register file. Must be aligned on an address that is evenly divisible by 4. The value must be in the range of 00–FCH. Although <i>w2_reg</i> is similar to <i>lreg</i> , there is a distinction: <i>w2_reg</i> consists of two halves, each containing a 16-bit address; <i>lreg</i> is indivisible and contains a 32-bit number.
wreg	A word register in the lower register file. When it could be unclear whether this variable refers to a source or a destination register, it is prefixed with an <i>S</i> or a <i>D</i> . Must be aligned on an address that is evenly divisible by 2. The value must be in the range of 00–FEH.
xxx	The three high-order bits of displacement.

[†] The *D* or *S* prefix is used only when it could be unclear whether a variable refers to a destination or a source register.

Table A-6. Instruction Set

Mnemonic	Operation	Instruction Format																		
ADD (2 operands)	ADD WORDS. Adds the source and destination word operands and stores the sum into the destination operand. $(DEST) \leftarrow (DEST) + (SRC)$ <table border="1" data-bbox="325 447 646 543"> <thead> <tr> <th colspan="6">PSW Flag Settings</th> </tr> <tr> <th>Z</th> <th>N</th> <th>C</th> <th>V</th> <th>VT</th> <th>ST</th> </tr> </thead> <tbody> <tr> <td>✓</td> <td>✓</td> <td>✓</td> <td>✓</td> <td>↑</td> <td>—</td> </tr> </tbody> </table>	PSW Flag Settings						Z	N	C	V	VT	ST	✓	✓	✓	✓	↑	—	DEST, SRC ADD wreg, waop (011001aa) (waop) (wreg)
PSW Flag Settings																				
Z	N	C	V	VT	ST															
✓	✓	✓	✓	↑	—															
ADD (3 operands)	ADD WORDS. Adds the two source word operands and stores the sum into the destination operand. $(DEST) \leftarrow (SRC1) + (SRC2)$ <table border="1" data-bbox="325 694 646 789"> <thead> <tr> <th colspan="6">PSW Flag Settings</th> </tr> <tr> <th>Z</th> <th>N</th> <th>C</th> <th>V</th> <th>VT</th> <th>ST</th> </tr> </thead> <tbody> <tr> <td>✓</td> <td>✓</td> <td>✓</td> <td>✓</td> <td>↑</td> <td>—</td> </tr> </tbody> </table>	PSW Flag Settings						Z	N	C	V	VT	ST	✓	✓	✓	✓	↑	—	DEST, SRC1, SRC2 ADD Dwreg, Swreg, waop (010001aa) (waop) (Swreg) (Dwreg)
PSW Flag Settings																				
Z	N	C	V	VT	ST															
✓	✓	✓	✓	↑	—															
ADDB (2 operands)	ADD BYTES. Adds the source and destination byte operands and stores the sum into the destination operand. $(DEST) \leftarrow (DEST) + (SRC)$ <table border="1" data-bbox="325 942 646 1038"> <thead> <tr> <th colspan="6">PSW Flag Settings</th> </tr> <tr> <th>Z</th> <th>N</th> <th>C</th> <th>V</th> <th>VT</th> <th>ST</th> </tr> </thead> <tbody> <tr> <td>✓</td> <td>✓</td> <td>✓</td> <td>✓</td> <td>↑</td> <td>—</td> </tr> </tbody> </table>	PSW Flag Settings						Z	N	C	V	VT	ST	✓	✓	✓	✓	↑	—	DEST, SRC ADDB breg, baop (011101aa) (baop) (breg)
PSW Flag Settings																				
Z	N	C	V	VT	ST															
✓	✓	✓	✓	↑	—															
ADDB (3 operands)	ADD BYTES. Adds the two source byte operands and stores the sum into the destination operand. $(DEST) \leftarrow (SRC1) + (SRC2)$ <table border="1" data-bbox="325 1192 646 1288"> <thead> <tr> <th colspan="6">PSW Flag Settings</th> </tr> <tr> <th>Z</th> <th>N</th> <th>C</th> <th>V</th> <th>VT</th> <th>ST</th> </tr> </thead> <tbody> <tr> <td>✓</td> <td>✓</td> <td>✓</td> <td>✓</td> <td>↑</td> <td>—</td> </tr> </tbody> </table>	PSW Flag Settings						Z	N	C	V	VT	ST	✓	✓	✓	✓	↑	—	DEST, SRC1, SRC2 ADDB Dbreg, Sbreg, baop (010101aa) (baop) (Sbreg) (Dbreg)
PSW Flag Settings																				
Z	N	C	V	VT	ST															
✓	✓	✓	✓	↑	—															
ADDC	ADD WORDS WITH CARRY. Adds the source and destination word operands and the carry flag (0 or 1) and stores the sum into the destination operand. $(DEST) \leftarrow (DEST) + (SRC) + C$ <table border="1" data-bbox="325 1463 646 1558"> <thead> <tr> <th colspan="6">PSW Flag Settings</th> </tr> <tr> <th>Z</th> <th>N</th> <th>C</th> <th>V</th> <th>VT</th> <th>ST</th> </tr> </thead> <tbody> <tr> <td>↓</td> <td>✓</td> <td>✓</td> <td>✓</td> <td>↑</td> <td>—</td> </tr> </tbody> </table>	PSW Flag Settings						Z	N	C	V	VT	ST	↓	✓	✓	✓	↑	—	DEST, SRC ADDC wreg, waop (101001aa) (waop) (wreg)
PSW Flag Settings																				
Z	N	C	V	VT	ST															
↓	✓	✓	✓	↑	—															

Table A-6. Instruction Set (Continued)

Mnemonic	Operation	Instruction Format																		
ADDCB	<p>ADD BYTES WITH CARRY. Adds the source and destination byte operands and the carry flag (0 or 1) and stores the sum into the destination operand.</p> $(DEST) \leftarrow (DEST) + (SRC) + C$ <table border="1" data-bbox="325 418 646 513"> <thead> <tr> <th colspan="6">PSW Flag Settings</th> </tr> <tr> <th>Z</th> <th>N</th> <th>C</th> <th>V</th> <th>VT</th> <th>ST</th> </tr> </thead> <tbody> <tr> <td>↓</td> <td>✓</td> <td>✓</td> <td>✓</td> <td>↑</td> <td>—</td> </tr> </tbody> </table>	PSW Flag Settings						Z	N	C	V	VT	ST	↓	✓	✓	✓	↑	—	<p>DEST, SRC</p> <p>ADDCB breg, baop (101101aa) (baop) (breg)</p>
PSW Flag Settings																				
Z	N	C	V	VT	ST															
↓	✓	✓	✓	↑	—															
AND (2 operands)	<p>LOGICAL AND WORDS. ANDs the source and destination word operands and stores the result into the destination operand. The result has ones in only the bit positions in which both operands had a "1" and zeros in all other bit positions.</p> $(DEST) \leftarrow (DEST) \text{ AND } (SRC)$ <table border="1" data-bbox="325 739 646 835"> <thead> <tr> <th colspan="6">PSW Flag Settings</th> </tr> <tr> <th>Z</th> <th>N</th> <th>C</th> <th>V</th> <th>VT</th> <th>ST</th> </tr> </thead> <tbody> <tr> <td>✓</td> <td>✓</td> <td>0</td> <td>0</td> <td>—</td> <td>—</td> </tr> </tbody> </table>	PSW Flag Settings						Z	N	C	V	VT	ST	✓	✓	0	0	—	—	<p>DEST, SRC</p> <p>AND wreg, waop (011000aa) (waop) (wreg)</p>
PSW Flag Settings																				
Z	N	C	V	VT	ST															
✓	✓	0	0	—	—															
AND (3 operands)	<p>LOGICAL AND WORDS. ANDs the two source word operands and stores the result into the destination operand. The result has ones in only the bit positions in which both operands had a "1" and zeros in all other bit positions.</p> $(DEST) \leftarrow (SRC1) \text{ AND } (SRC2)$ <table border="1" data-bbox="325 1060 646 1156"> <thead> <tr> <th colspan="6">PSW Flag Settings</th> </tr> <tr> <th>Z</th> <th>N</th> <th>C</th> <th>V</th> <th>VT</th> <th>ST</th> </tr> </thead> <tbody> <tr> <td>✓</td> <td>✓</td> <td>0</td> <td>0</td> <td>—</td> <td>—</td> </tr> </tbody> </table>	PSW Flag Settings						Z	N	C	V	VT	ST	✓	✓	0	0	—	—	<p>DEST, SRC1, SRC2</p> <p>AND Dwreg, Swreg, waop (010000aa) (waop) (Swreg) (Dwreg)</p>
PSW Flag Settings																				
Z	N	C	V	VT	ST															
✓	✓	0	0	—	—															
ANDB (2 operands)	<p>LOGICAL AND BYTES. ANDs the source and destination byte operands and stores the result into the destination operand. The result has ones in only the bit positions in which both operands had a "1" and zeros in all other bit positions.</p> $(DEST) \leftarrow (DEST) \text{ AND } (SRC)$ <table border="1" data-bbox="325 1381 646 1477"> <thead> <tr> <th colspan="6">PSW Flag Settings</th> </tr> <tr> <th>Z</th> <th>N</th> <th>C</th> <th>V</th> <th>VT</th> <th>ST</th> </tr> </thead> <tbody> <tr> <td>✓</td> <td>✓</td> <td>0</td> <td>0</td> <td>—</td> <td>—</td> </tr> </tbody> </table>	PSW Flag Settings						Z	N	C	V	VT	ST	✓	✓	0	0	—	—	<p>DEST, SRC</p> <p>ANDB breg, baop (011100aa) (baop) (breg)</p>
PSW Flag Settings																				
Z	N	C	V	VT	ST															
✓	✓	0	0	—	—															

Table A-6. Instruction Set (Continued)

Mnemonic	Operation	Instruction Format																		
ANDB (3 operands)	<p>LOGICAL AND BYTES. ANDs the two source byte operands and stores the result into the destination operand. The result has ones in only the bit positions in which both operands had a “1” and zeros in all other bit positions.</p> <p>(DEST) ← (SRC1) AND (SRC2)</p> <table border="1" style="margin-left: auto; margin-right: auto;"> <thead> <tr> <th colspan="6">PSW Flag Settings</th> </tr> <tr> <th>Z</th> <th>N</th> <th>C</th> <th>V</th> <th>VT</th> <th>ST</th> </tr> </thead> <tbody> <tr> <td>✓</td> <td>✓</td> <td>0</td> <td>0</td> <td>—</td> <td>—</td> </tr> </tbody> </table>	PSW Flag Settings						Z	N	C	V	VT	ST	✓	✓	0	0	—	—	<p>DEST, SRC1, SRC2</p> <p>ANDB Dbreg, Sbreg, baop (010100aa) (baop) (Sbreg) (Dbreg)</p>
PSW Flag Settings																				
Z	N	C	V	VT	ST															
✓	✓	0	0	—	—															
BMOV	<p>BLOCK MOVE. Moves a block of word data from one location in memory to another. The source and destination addresses are calculated using the indirect with autoincrement addressing mode. A long register (PTRS) addresses the source and destination pointers, which are stored in adjacent word registers. The source pointer (SRCPTR) is the low word and the destination pointer (DSTPTR) is the high word of PTRS. A word register (CNTREG) specifies the number of transfers. The blocks of data can be located anywhere in register RAM, but should not overlap.</p> <p>COUNT ← (CNTREG) LOOP: SRCPTR ← (PTRS) DSTPTR ← (PTRS + 2) (DSTPTR) ← (SRCPTR) (PTRS) ← SRCPTR + 2 (PTRS + 2) ← DSTPTR + 2 COUNT ← COUNT – 1 if COUNT ≠ 0 then go to LOOP</p> <table border="1" style="margin-left: auto; margin-right: auto;"> <thead> <tr> <th colspan="6">PSW Flag Settings</th> </tr> <tr> <th>Z</th> <th>N</th> <th>C</th> <th>V</th> <th>VT</th> <th>ST</th> </tr> </thead> <tbody> <tr> <td>—</td> <td>—</td> <td>—</td> <td>—</td> <td>—</td> <td>—</td> </tr> </tbody> </table>	PSW Flag Settings						Z	N	C	V	VT	ST	—	—	—	—	—	—	<p>PTRS, CNTREG</p> <p>BMOV lreg, wreg (11000001) (wreg) (lreg)</p> <p>NOTE: The pointers are autoincremented during this instruction. However, CNTREG is not decremented. Therefore, it is easy to unintentionally create a long, uninterruptible operation with the BMOV instruction. Use the BMOVI instruction for an interruptible operation.</p>
PSW Flag Settings																				
Z	N	C	V	VT	ST															
—	—	—	—	—	—															

Table A-6. Instruction Set (Continued)

Mnemonic	Operation	Instruction Format																		
BMOVI	<p>INTERRUPTIBLE BLOCK MOVE. Moves a block of word data from one location in memory to another. The instruction is identical to BMOV, except that BMOVI is interruptible. The source and destination addresses are calculated using the indirect with autoincrement addressing mode. A long register (PTRS) addresses the source and destination pointers, which are stored in adjacent word registers. The source pointer (SRCPTR) is the low word and the destination pointer (DSTPTR) is the high word of PTRS. A word register (CNTREG) specifies the number of transfers. The blocks of data can be located anywhere in register RAM, but should not overlap.</p> <p>COUNT ← (CNTREG) LOOP: SRCPTR ← (PTRS) DSTPTR ← (PTRS + 2) (DSTPTR) ← (SRCPTR) (PTRS) ← SRCPTR + 2 (PTRS + 2) ← DSTPTR + 2 COUNT ← COUNT - 1 if COUNT ≠ 0 then go to LOOP</p> <table border="1" data-bbox="325 894 645 991"> <thead> <tr> <th colspan="6">PSW Flag Settings</th> </tr> <tr> <th>Z</th> <th>N</th> <th>C</th> <th>V</th> <th>VT</th> <th>ST</th> </tr> </thead> <tbody> <tr> <td>—</td> <td>—</td> <td>—</td> <td>—</td> <td>—</td> <td>—</td> </tr> </tbody> </table>	PSW Flag Settings						Z	N	C	V	VT	ST	—	—	—	—	—	—	<p>PTRS, CNTREG</p> <p>BMOVI lreg, wreg (11001101) (wreg) (lreg)</p> <p>NOTE: The pointers are autoincremented during this instruction. However, CNTREG is decremented only when the instruction is interrupted. When BMOVI is interrupted, CNTREG is updated to store the interim word count at the time of the interrupt. For this reason, you should always reload CNTREG before starting a BMOVI.</p>
PSW Flag Settings																				
Z	N	C	V	VT	ST															
—	—	—	—	—	—															
BR	<p>BRANCH INDIRECT. Continues execution at the address specified in the operand word register.</p> <p>PC ← (DEST)</p> <table border="1" data-bbox="325 1142 645 1239"> <thead> <tr> <th colspan="6">PSW Flag Settings</th> </tr> <tr> <th>Z</th> <th>N</th> <th>C</th> <th>V</th> <th>VT</th> <th>ST</th> </tr> </thead> <tbody> <tr> <td>—</td> <td>—</td> <td>—</td> <td>—</td> <td>—</td> <td>—</td> </tr> </tbody> </table>	PSW Flag Settings						Z	N	C	V	VT	ST	—	—	—	—	—	—	<p>DEST</p> <p>BR [wreg] (11100011) (wreg)</p>
PSW Flag Settings																				
Z	N	C	V	VT	ST															
—	—	—	—	—	—															
CLR	<p>CLEAR WORD. Clears the value of the operand.</p> <p>(DEST) ← 0</p> <table border="1" data-bbox="325 1367 645 1465"> <thead> <tr> <th colspan="6">PSW Flag Settings</th> </tr> <tr> <th>Z</th> <th>N</th> <th>C</th> <th>V</th> <th>VT</th> <th>ST</th> </tr> </thead> <tbody> <tr> <td>1</td> <td>0</td> <td>0</td> <td>0</td> <td>—</td> <td>—</td> </tr> </tbody> </table>	PSW Flag Settings						Z	N	C	V	VT	ST	1	0	0	0	—	—	<p>DEST</p> <p>CLR wreg (00000001) (wreg)</p>
PSW Flag Settings																				
Z	N	C	V	VT	ST															
1	0	0	0	—	—															

Table A-6. Instruction Set (Continued)

Mnemonic	Operation	Instruction Format																		
CLRB	CLEAR BYTE. Clears the value of the operand. $(\text{DEST}) \leftarrow 0$ <table border="1" data-bbox="325 371 645 470"> <thead> <tr> <th colspan="6">PSW Flag Settings</th> </tr> <tr> <th>Z</th> <th>N</th> <th>C</th> <th>V</th> <th>VT</th> <th>ST</th> </tr> </thead> <tbody> <tr> <td>1</td> <td>0</td> <td>0</td> <td>0</td> <td>—</td> <td>—</td> </tr> </tbody> </table>	PSW Flag Settings						Z	N	C	V	VT	ST	1	0	0	0	—	—	DEST CLRB breg (00010001) (breg)
PSW Flag Settings																				
Z	N	C	V	VT	ST															
1	0	0	0	—	—															
CLRC	CLEAR CARRY FLAG. Clears the carry flag. $C \leftarrow 0$ <table border="1" data-bbox="325 574 645 673"> <thead> <tr> <th colspan="6">PSW Flag Settings</th> </tr> <tr> <th>Z</th> <th>N</th> <th>C</th> <th>V</th> <th>VT</th> <th>ST</th> </tr> </thead> <tbody> <tr> <td>—</td> <td>—</td> <td>0</td> <td>—</td> <td>—</td> <td>—</td> </tr> </tbody> </table>	PSW Flag Settings						Z	N	C	V	VT	ST	—	—	0	—	—	—	CLRC (11111000)
PSW Flag Settings																				
Z	N	C	V	VT	ST															
—	—	0	—	—	—															
CLRVT	CLEAR OVERFLOW-TRAP FLAG. Clears the overflow-trap flag. $VT \leftarrow 0$ <table border="1" data-bbox="325 800 645 899"> <thead> <tr> <th colspan="6">PSW Flag Settings</th> </tr> <tr> <th>Z</th> <th>N</th> <th>C</th> <th>V</th> <th>VT</th> <th>ST</th> </tr> </thead> <tbody> <tr> <td>—</td> <td>—</td> <td>—</td> <td>—</td> <td>0</td> <td>—</td> </tr> </tbody> </table>	PSW Flag Settings						Z	N	C	V	VT	ST	—	—	—	—	0	—	CLRVT (11111100)
PSW Flag Settings																				
Z	N	C	V	VT	ST															
—	—	—	—	0	—															
CMP	COMPARE WORDS. Subtracts the source word operand from the destination word operand. The flags are altered, but the operands remain unaffected. If a borrow occurs, the carry flag is cleared; otherwise, it is set. $(\text{DEST}) - (\text{SRC})$ <table border="1" data-bbox="325 1117 645 1216"> <thead> <tr> <th colspan="6">PSW Flag Settings</th> </tr> <tr> <th>Z</th> <th>N</th> <th>C</th> <th>V</th> <th>VT</th> <th>ST</th> </tr> </thead> <tbody> <tr> <td>✓</td> <td>✓</td> <td>✓</td> <td>✓</td> <td>↑</td> <td>—</td> </tr> </tbody> </table>	PSW Flag Settings						Z	N	C	V	VT	ST	✓	✓	✓	✓	↑	—	DEST, SRC CMP wreg, waop (100010aa) (waop) (wreg)
PSW Flag Settings																				
Z	N	C	V	VT	ST															
✓	✓	✓	✓	↑	—															
CMPB	COMPARE BYTES. Subtracts the source byte operand from the destination byte operand. The flags are altered, but the operands remain unaffected. If a borrow occurs, the carry flag is cleared; otherwise, it is set. $(\text{DEST}) - (\text{SRC})$ <table border="1" data-bbox="325 1437 645 1536"> <thead> <tr> <th colspan="6">PSW Flag Settings</th> </tr> <tr> <th>Z</th> <th>N</th> <th>C</th> <th>V</th> <th>VT</th> <th>ST</th> </tr> </thead> <tbody> <tr> <td>✓</td> <td>✓</td> <td>✓</td> <td>✓</td> <td>↑</td> <td>—</td> </tr> </tbody> </table>	PSW Flag Settings						Z	N	C	V	VT	ST	✓	✓	✓	✓	↑	—	DEST, SRC CMPB breg, baop (100110aa) (baop) (breg)
PSW Flag Settings																				
Z	N	C	V	VT	ST															
✓	✓	✓	✓	↑	—															

Table A-6. Instruction Set (Continued)

Mnemonic	Operation	Instruction Format																		
CMPL	<p>COMPARE LONG. Compares the magnitudes of two double-word (long) operands. The operands are specified using the direct addressing mode. The flags are altered, but the operands remain unaffected. If a borrow occurs, the carry flag is cleared; otherwise, it is set.</p> <p>(DEST) – (SRC)</p> <table border="1"> <thead> <tr> <th colspan="6">PSW Flag Settings</th> </tr> <tr> <th>Z</th> <th>N</th> <th>C</th> <th>V</th> <th>VT</th> <th>ST</th> </tr> </thead> <tbody> <tr> <td>✓</td> <td>✓</td> <td>✓</td> <td>✓</td> <td>✓</td> <td>—</td> </tr> </tbody> </table>	PSW Flag Settings						Z	N	C	V	VT	ST	✓	✓	✓	✓	✓	—	<p>DEST, SRC</p> <p>CMPL Dreg, Sreg (11000101) (Sreg) (Dreg)</p>
PSW Flag Settings																				
Z	N	C	V	VT	ST															
✓	✓	✓	✓	✓	—															
DEC	<p>DECREMENT WORD. Decrements the value of the operand by one.</p> <p>(DEST) ← (DEST) – 1</p> <table border="1"> <thead> <tr> <th colspan="6">PSW Flag Settings</th> </tr> <tr> <th>Z</th> <th>N</th> <th>C</th> <th>V</th> <th>VT</th> <th>ST</th> </tr> </thead> <tbody> <tr> <td>✓</td> <td>✓</td> <td>✓</td> <td>✓</td> <td>↑</td> <td>—</td> </tr> </tbody> </table>	PSW Flag Settings						Z	N	C	V	VT	ST	✓	✓	✓	✓	↑	—	<p>DEST</p> <p>DEC wreg (00000101) (wreg)</p>
PSW Flag Settings																				
Z	N	C	V	VT	ST															
✓	✓	✓	✓	↑	—															
DECB	<p>DECREMENT BYTE. Decrements the value of the operand by one.</p> <p>(DEST) ← (DEST) – 1</p> <table border="1"> <thead> <tr> <th colspan="6">PSW Flag Settings</th> </tr> <tr> <th>Z</th> <th>N</th> <th>C</th> <th>V</th> <th>VT</th> <th>ST</th> </tr> </thead> <tbody> <tr> <td>✓</td> <td>✓</td> <td>✓</td> <td>✓</td> <td>↑</td> <td>—</td> </tr> </tbody> </table>	PSW Flag Settings						Z	N	C	V	VT	ST	✓	✓	✓	✓	↑	—	<p>DEST</p> <p>DECB breg (00010101) (breg)</p>
PSW Flag Settings																				
Z	N	C	V	VT	ST															
✓	✓	✓	✓	↑	—															
DI	<p>DISABLE INTERRUPTS. Disables interrupts. Interrupt-calls cannot occur after this instruction.</p> <p>Interrupt Enable (PSW.1) ← 0</p> <table border="1"> <thead> <tr> <th colspan="6">PSW Flag Settings</th> </tr> <tr> <th>Z</th> <th>N</th> <th>C</th> <th>V</th> <th>VT</th> <th>ST</th> </tr> </thead> <tbody> <tr> <td>—</td> <td>—</td> <td>—</td> <td>—</td> <td>—</td> <td>—</td> </tr> </tbody> </table>	PSW Flag Settings						Z	N	C	V	VT	ST	—	—	—	—	—	—	<p>DI (11111010)</p>
PSW Flag Settings																				
Z	N	C	V	VT	ST															
—	—	—	—	—	—															

Table A-6. Instruction Set (Continued)

Mnemonic	Operation	Instruction Format																		
DIV	<p>DIVIDE INTEGERS. Divides the contents of the destination long-integer operand by the contents of the source integer word operand, using signed arithmetic. It stores the quotient into the low-order word of the destination (i.e., the word with the lower address) and the remainder into the high-order word. The following two statements are performed concurrently.</p> <p>(low word DEST) ← (DEST) / (SRC) (high word DEST) ← (DEST) MOD (SRC)</p> <table border="1" style="margin-left: auto; margin-right: auto;"> <thead> <tr> <th colspan="6">PSW Flag Settings</th> </tr> <tr> <th>Z</th> <th>N</th> <th>C</th> <th>V</th> <th>VT</th> <th>ST</th> </tr> </thead> <tbody> <tr> <td>—</td> <td>—</td> <td>—</td> <td>✓</td> <td>↑</td> <td>—</td> </tr> </tbody> </table>	PSW Flag Settings						Z	N	C	V	VT	ST	—	—	—	✓	↑	—	<p>DEST, SRC</p> <p>DIV lreg, waop (11111110) (100011aa) (waop) (lreg)</p>
PSW Flag Settings																				
Z	N	C	V	VT	ST															
—	—	—	✓	↑	—															
DIVB	<p>DIVIDE SHORT-INTEGERS. Divides the contents of the destination integer operand by the contents of the source short-integer operand, using signed arithmetic. It stores the quotient into the low-order byte of the destination (i.e., the word with the lower address) and the remainder into the high-order byte. The following two statements are performed concurrently.</p> <p>(low byte DEST) ← (DEST) / (SRC) (high byte DEST) ← (DEST) MOD (SRC)</p> <table border="1" style="margin-left: auto; margin-right: auto;"> <thead> <tr> <th colspan="6">PSW Flag Settings</th> </tr> <tr> <th>Z</th> <th>N</th> <th>C</th> <th>V</th> <th>VT</th> <th>ST</th> </tr> </thead> <tbody> <tr> <td>—</td> <td>—</td> <td>—</td> <td>✓</td> <td>↑</td> <td>—</td> </tr> </tbody> </table>	PSW Flag Settings						Z	N	C	V	VT	ST	—	—	—	✓	↑	—	<p>DEST, SRC</p> <p>DIVB wreg, baop (11111110) (100111aa) (baop) (wreg)</p>
PSW Flag Settings																				
Z	N	C	V	VT	ST															
—	—	—	✓	↑	—															
DIVU	<p>DIVIDE WORDS, UNSIGNED. Divides the contents of the destination double-word operand by the contents of the source word operand, using unsigned arithmetic. It stores the quotient into the low-order word (i.e., the word with the lower address) of the destination operand and the remainder into the high-order word. The following two statements are performed concurrently.</p> <p>(low word DEST) ← (DEST) / (SRC) (high word DEST) ← (DEST) MOD (SRC)</p> <table border="1" style="margin-left: auto; margin-right: auto;"> <thead> <tr> <th colspan="6">PSW Flag Settings</th> </tr> <tr> <th>Z</th> <th>N</th> <th>C</th> <th>V</th> <th>VT</th> <th>ST</th> </tr> </thead> <tbody> <tr> <td>—</td> <td>—</td> <td>—</td> <td>✓</td> <td>↑</td> <td>—</td> </tr> </tbody> </table>	PSW Flag Settings						Z	N	C	V	VT	ST	—	—	—	✓	↑	—	<p>DEST, SRC</p> <p>DIVU lreg, waop (100011aa) (waop) (lreg)</p>
PSW Flag Settings																				
Z	N	C	V	VT	ST															
—	—	—	✓	↑	—															

Table A-6. Instruction Set (Continued)

Mnemonic	Operation	Instruction Format																		
DIVUB	<p>DIVIDE BYTES, UNSIGNED. This instruction divides the contents of the destination word operand by the contents of the source byte operand, using unsigned arithmetic. It stores the quotient into the low-order byte (i.e., the byte with the lower address) of the destination operand and the remainder into the high-order byte. The following two statements are performed concurrently.</p> <p>(low byte DEST) ← (DEST) / (SRC) (high byte DEST) ← (DEST) MOD (SRC)</p> <table border="1"> <thead> <tr> <th colspan="6">PSW Flag Settings</th> </tr> <tr> <th>Z</th> <th>N</th> <th>C</th> <th>V</th> <th>VT</th> <th>ST</th> </tr> </thead> <tbody> <tr> <td>—</td> <td>—</td> <td>—</td> <td>✓</td> <td>↑</td> <td>—</td> </tr> </tbody> </table>	PSW Flag Settings						Z	N	C	V	VT	ST	—	—	—	✓	↑	—	<p>DEST, SRC</p> <p>DIVUB wreg, baop (100111aa) (baop) (wreg)</p>
PSW Flag Settings																				
Z	N	C	V	VT	ST															
—	—	—	✓	↑	—															
DJNZ	<p>DECREMENT AND JUMP IF NOT ZERO. Decrements the value of the byte operand by 1. If the result is 0, control passes to the next sequential instruction. If the result is not 0, the instruction adds to the program counter the offset between the end of this instruction and the target label, effecting the jump. The offset must be in the range of –128 to +127.</p> <p>(COUNT) ← (COUNT) – 1 if (COUNT) ≠ 0 then PC ← PC + 8-bit disp end_if</p> <table border="1"> <thead> <tr> <th colspan="6">PSW Flag Settings</th> </tr> <tr> <th>Z</th> <th>N</th> <th>C</th> <th>V</th> <th>VT</th> <th>ST</th> </tr> </thead> <tbody> <tr> <td>—</td> <td>—</td> <td>—</td> <td>—</td> <td>—</td> <td>—</td> </tr> </tbody> </table>	PSW Flag Settings						Z	N	C	V	VT	ST	—	—	—	—	—	—	<p>DJNZ breg, cadd (11100000) (breg) (disp)</p> <p>NOTE: The displacement (disp) is sign-extended to 16 bits.</p>
PSW Flag Settings																				
Z	N	C	V	VT	ST															
—	—	—	—	—	—															
DJNZW	<p>DECREMENT AND JUMP IF NOT ZERO WORD. Decrements the value of the word operand by 1. If the result is 0, control passes to the next sequential instruction. If the result is not 0, the instruction adds to the program counter the offset between the end of this instruction and the target label, effecting the jump. The offset must be in the range of –128 to +127</p> <p>(COUNT) ← (COUNT) – 1 if (COUNT) ≠ 0 then PC ← PC + 8-bit disp end_if</p> <table border="1"> <thead> <tr> <th colspan="6">PSW Flag Settings</th> </tr> <tr> <th>Z</th> <th>N</th> <th>C</th> <th>V</th> <th>VT</th> <th>ST</th> </tr> </thead> <tbody> <tr> <td>—</td> <td>—</td> <td>—</td> <td>—</td> <td>—</td> <td>—</td> </tr> </tbody> </table>	PSW Flag Settings						Z	N	C	V	VT	ST	—	—	—	—	—	—	<p>DJNZW wreg, cadd (11100001) (wreg) (disp)</p> <p>NOTE: The displacement (disp) is sign-extended to 16 bits.</p>
PSW Flag Settings																				
Z	N	C	V	VT	ST															
—	—	—	—	—	—															

Table A-6. Instruction Set (Continued)

Mnemonic	Operation	Instruction Format																		
DPTS	<p>DISABLE PERIPHERAL TRANSACTION SERVER (PTS). Disables the peripheral transaction server (PTS). PTS Disable (PSW.2) ← 0</p> <table border="1" data-bbox="325 395 645 491"> <thead> <tr> <th colspan="6">PSW Flag Settings</th> </tr> <tr> <th>Z</th> <th>N</th> <th>C</th> <th>V</th> <th>VT</th> <th>ST</th> </tr> </thead> <tbody> <tr> <td>—</td> <td>—</td> <td>—</td> <td>—</td> <td>—</td> <td>—</td> </tr> </tbody> </table>	PSW Flag Settings						Z	N	C	V	VT	ST	—	—	—	—	—	—	<p>DPTS (11101100)</p>
PSW Flag Settings																				
Z	N	C	V	VT	ST															
—	—	—	—	—	—															
EI	<p>ENABLE INTERRUPTS. Enables interrupts following the execution of the next statement. Interrupt calls cannot occur immediately following this instruction. Interrupt Enable (PSW.1) ← 1</p> <table border="1" data-bbox="325 670 645 765"> <thead> <tr> <th colspan="6">PSW Flag Settings</th> </tr> <tr> <th>Z</th> <th>N</th> <th>C</th> <th>V</th> <th>VT</th> <th>ST</th> </tr> </thead> <tbody> <tr> <td>—</td> <td>—</td> <td>—</td> <td>—</td> <td>—</td> <td>—</td> </tr> </tbody> </table>	PSW Flag Settings						Z	N	C	V	VT	ST	—	—	—	—	—	—	<p>EI (11111011)</p>
PSW Flag Settings																				
Z	N	C	V	VT	ST															
—	—	—	—	—	—															
EPTS	<p>ENABLE PERIPHERAL TRANSACTION SERVER (PTS). Enables the peripheral transaction server (PTS). PTS Enable (PSW.2) ← 1</p> <table border="1" data-bbox="325 916 645 1012"> <thead> <tr> <th colspan="6">PSW Flag Settings</th> </tr> <tr> <th>Z</th> <th>N</th> <th>C</th> <th>V</th> <th>VT</th> <th>ST</th> </tr> </thead> <tbody> <tr> <td>—</td> <td>—</td> <td>—</td> <td>—</td> <td>—</td> <td>—</td> </tr> </tbody> </table>	PSW Flag Settings						Z	N	C	V	VT	ST	—	—	—	—	—	—	<p>EPTS (11101101)</p>
PSW Flag Settings																				
Z	N	C	V	VT	ST															
—	—	—	—	—	—															
EXT	<p>SIGN-EXTEND INTEGER INTO LONG-INTEGGER. Sign-extends the low-order word of the operand throughout the high-order word of the operand. if DEST.15 = 1 then (high word DEST) ← 0FFFFH else (high word DEST) ← 0 end_if</p> <table border="1" data-bbox="325 1286 645 1381"> <thead> <tr> <th colspan="6">PSW Flag Settings</th> </tr> <tr> <th>Z</th> <th>N</th> <th>C</th> <th>V</th> <th>VT</th> <th>ST</th> </tr> </thead> <tbody> <tr> <td>✓</td> <td>✓</td> <td>0</td> <td>0</td> <td>—</td> <td>—</td> </tr> </tbody> </table>	PSW Flag Settings						Z	N	C	V	VT	ST	✓	✓	0	0	—	—	<p>EXT lreg (00000110) (lreg)</p>
PSW Flag Settings																				
Z	N	C	V	VT	ST															
✓	✓	0	0	—	—															

Table A-6. Instruction Set (Continued)

Mnemonic	Operation	Instruction Format																																				
EXTB	<p>SIGN-EXTEND SHORT-INTEGER INTO INTEGER. Sign-extends the low-order byte of the operand throughout the high-order byte of the operand.</p> <p>if DEST.7 = 1 then (high byte DEST) ← 0FFH else (high byte DEST) ← 0 end_if</p> <table border="1" style="margin-left: auto; margin-right: auto;"> <thead> <tr> <th colspan="6">PSW Flag Settings</th> </tr> <tr> <th>Z</th> <th>N</th> <th>C</th> <th>V</th> <th>VT</th> <th>ST</th> </tr> </thead> <tbody> <tr> <td>✓</td> <td>✓</td> <td>0</td> <td>0</td> <td>—</td> <td>—</td> </tr> </tbody> </table>	PSW Flag Settings						Z	N	C	V	VT	ST	✓	✓	0	0	—	—	<p>EXTB wreg (00010110) (wreg)</p>																		
PSW Flag Settings																																						
Z	N	C	V	VT	ST																																	
✓	✓	0	0	—	—																																	
IDLPD	<p>IDLE/POWERDOWN. Depending on the 8-bit value of the KEY operand, this instruction causes the device</p> <ul style="list-style-type: none"> to enter idle mode, KEY=1, to enter powerdown mode, KEY=2, to execute a reset sequence, KEY = any value other than 1 or 2. <p>The bus controller completes any prefetch cycle in progress before the CPU stops or resets.</p> <p>if KEY = 1 then enter idle else if KEY = 2 then enter powerdown else execute reset</p> <table border="1" style="margin-left: auto; margin-right: auto;"> <thead> <tr> <th colspan="6">PSW Flag Settings</th> </tr> <tr> <th>Z</th> <th>N</th> <th>C</th> <th>V</th> <th>VT</th> <th>ST</th> </tr> </thead> <tbody> <tr> <td colspan="6" style="text-align: center;">KEY = 1 or 2</td> </tr> <tr> <td>—</td> <td>—</td> <td>—</td> <td>—</td> <td>—</td> <td>—</td> </tr> <tr> <td colspan="6" style="text-align: center;">KEY = any value other than 1 or 2</td> </tr> <tr> <td>0</td> <td>0</td> <td>0</td> <td>0</td> <td>0</td> <td>0</td> </tr> </tbody> </table>	PSW Flag Settings						Z	N	C	V	VT	ST	KEY = 1 or 2						—	—	—	—	—	—	KEY = any value other than 1 or 2						0	0	0	0	0	0	<p>IDLPD #key (11110110) (key)</p>
PSW Flag Settings																																						
Z	N	C	V	VT	ST																																	
KEY = 1 or 2																																						
—	—	—	—	—	—																																	
KEY = any value other than 1 or 2																																						
0	0	0	0	0	0																																	
INC	<p>INCREMENT WORD. Increments the value of the word operand by 1.</p> <p>(DEST) ← (DEST) + 1</p> <table border="1" style="margin-left: auto; margin-right: auto;"> <thead> <tr> <th colspan="6">PSW Flag Settings</th> </tr> <tr> <th>Z</th> <th>N</th> <th>C</th> <th>V</th> <th>VT</th> <th>ST</th> </tr> </thead> <tbody> <tr> <td>✓</td> <td>✓</td> <td>✓</td> <td>✓</td> <td>↑</td> <td>0</td> </tr> </tbody> </table>	PSW Flag Settings						Z	N	C	V	VT	ST	✓	✓	✓	✓	↑	0	<p>INC wreg (00000111) (wreg)</p>																		
PSW Flag Settings																																						
Z	N	C	V	VT	ST																																	
✓	✓	✓	✓	↑	0																																	

Table A-6. Instruction Set (Continued)

Mnemonic	Operation	Instruction Format																		
INCB	<p>INCREMENT BYTE. Increments the value of the byte operand by 1.</p> $(DEST) \leftarrow (DEST) + 1$ <table border="1" style="margin: 10px auto;"> <thead> <tr> <th colspan="6">PSW Flag Settings</th> </tr> <tr> <th>Z</th> <th>N</th> <th>C</th> <th>V</th> <th>VT</th> <th>ST</th> </tr> </thead> <tbody> <tr> <td>✓</td> <td>✓</td> <td>✓</td> <td>✓</td> <td>↑</td> <td>—</td> </tr> </tbody> </table>	PSW Flag Settings						Z	N	C	V	VT	ST	✓	✓	✓	✓	↑	—	<p>INCB breg (00010111) (breg)</p>
PSW Flag Settings																				
Z	N	C	V	VT	ST															
✓	✓	✓	✓	↑	—															
JBC	<p>JUMP IF BIT IS CLEAR. Tests the specified bit. If the bit is set, control passes to the next sequential instruction. If the bit is clear, this instruction adds to the program counter the offset between the end of this instruction and the target label, effecting the jump. The offset must be in the range of -128 to $+127$.</p> <p>if (specified bit) = 0 then $PC \leftarrow PC + 8\text{-bit disp}$</p> <table border="1" style="margin: 10px auto;"> <thead> <tr> <th colspan="6">PSW Flag Settings</th> </tr> <tr> <th>Z</th> <th>N</th> <th>C</th> <th>V</th> <th>VT</th> <th>ST</th> </tr> </thead> <tbody> <tr> <td>—</td> <td>—</td> <td>—</td> <td>—</td> <td>—</td> <td>—</td> </tr> </tbody> </table>	PSW Flag Settings						Z	N	C	V	VT	ST	—	—	—	—	—	—	<p>JBC breg,bitno,cadd (00110bbb) (breg) (disp)</p> <p>NOTE: The displacement (disp) is sign-extended to 16 bits.</p>
PSW Flag Settings																				
Z	N	C	V	VT	ST															
—	—	—	—	—	—															
JBS	<p>JUMP IF BIT IS SET. Tests the specified bit. If the bit is clear, control passes to the next sequential instruction. If the bit is set, this instruction adds to the program counter the offset between the end of this instruction and the target label, effecting the jump. The offset must be in the range of -128 to $+127$.</p> <p>if (specified bit) = 1 then $PC \leftarrow PC + 8\text{-bit disp}$</p> <table border="1" style="margin: 10px auto;"> <thead> <tr> <th colspan="6">PSW Flag Settings</th> </tr> <tr> <th>Z</th> <th>N</th> <th>C</th> <th>V</th> <th>VT</th> <th>ST</th> </tr> </thead> <tbody> <tr> <td>—</td> <td>—</td> <td>—</td> <td>—</td> <td>—</td> <td>—</td> </tr> </tbody> </table>	PSW Flag Settings						Z	N	C	V	VT	ST	—	—	—	—	—	—	<p>JBS breg,bitno,cadd (00111bbb) (breg) (disp)</p> <p>NOTE: The displacement (disp) is sign-extended to 16 bits.</p>
PSW Flag Settings																				
Z	N	C	V	VT	ST															
—	—	—	—	—	—															

Table A-6. Instruction Set (Continued)

Mnemonic	Operation	Instruction Format																		
JC	<p>JUMP IF CARRY FLAG IS SET. Tests the carry flag. If the carry flag is clear, control passes to the next sequential instruction. If the carry flag is set, this instruction adds to the program counter the offset between the end of this instruction and the target label, effecting the jump. The offset must be in the range of -128 to $+127$.</p> <p>if C = 1 then $PC \leftarrow PC + 8\text{-bit disp}$</p> <table border="1" style="margin-left: auto; margin-right: auto;"> <thead> <tr> <th colspan="6">PSW Flag Settings</th> </tr> <tr> <th>Z</th> <th>N</th> <th>C</th> <th>V</th> <th>VT</th> <th>ST</th> </tr> </thead> <tbody> <tr> <td>—</td> <td>—</td> <td>—</td> <td>—</td> <td>—</td> <td>—</td> </tr> </tbody> </table>	PSW Flag Settings						Z	N	C	V	VT	ST	—	—	—	—	—	—	<p>JC cadd (11011011) (disp)</p> <p>NOTE: The displacement (disp) is sign-extended to 16 bits.</p>
PSW Flag Settings																				
Z	N	C	V	VT	ST															
—	—	—	—	—	—															
JE	<p>JUMP IF EQUAL. Tests the zero flag. If the flag is clear, control passes to the next sequential instruction. If the zero flag is set, this instruction adds to the program counter the offset between the end of this instruction and the target label, effecting the jump. The offset must be in the range of -128 to $+127$.</p> <p>if Z = 1 then $PC \leftarrow PC + 8\text{-bit disp}$</p> <table border="1" style="margin-left: auto; margin-right: auto;"> <thead> <tr> <th colspan="6">PSW Flag Settings</th> </tr> <tr> <th>Z</th> <th>N</th> <th>C</th> <th>V</th> <th>VT</th> <th>ST</th> </tr> </thead> <tbody> <tr> <td>—</td> <td>—</td> <td>—</td> <td>—</td> <td>—</td> <td>—</td> </tr> </tbody> </table>	PSW Flag Settings						Z	N	C	V	VT	ST	—	—	—	—	—	—	<p>JE cadd (11011111) (disp)</p> <p>NOTE: The displacement (disp) is sign-extended to 16 bits.</p>
PSW Flag Settings																				
Z	N	C	V	VT	ST															
—	—	—	—	—	—															
JGE	<p>JUMP IF SIGNED GREATER THAN OR EQUAL. Tests the negative flag. If the negative flag is set, control passes to the next sequential instruction. If the negative flag is clear, this instruction adds to the program counter the offset between the end of this instruction and the target label, effecting the jump. The offset must be in the range of -128 to $+127$.</p> <p>if N = 0 then $PC \leftarrow PC + 8\text{-bit disp}$</p> <table border="1" style="margin-left: auto; margin-right: auto;"> <thead> <tr> <th colspan="6">PSW Flag Settings</th> </tr> <tr> <th>Z</th> <th>N</th> <th>C</th> <th>V</th> <th>VT</th> <th>ST</th> </tr> </thead> <tbody> <tr> <td>—</td> <td>—</td> <td>—</td> <td>—</td> <td>—</td> <td>—</td> </tr> </tbody> </table>	PSW Flag Settings						Z	N	C	V	VT	ST	—	—	—	—	—	—	<p>JGE cadd (11010110) (disp)</p> <p>NOTE: The displacement (disp) is sign-extended to 16 bits.</p>
PSW Flag Settings																				
Z	N	C	V	VT	ST															
—	—	—	—	—	—															

Table A-6. Instruction Set (Continued)

Mnemonic	Operation	Instruction Format																		
JGT	<p>JUMP IF SIGNED GREATER THAN. Tests both the zero flag and the negative flag. If either flag is set, control passes to the next sequential instruction. If both flags are clear, this instruction adds to the program counter the offset between the end of this instruction and the target label, effecting the jump. The offset must be in the range of -128 to +127.</p> <p>if N = 0 AND Z = 0 then $PC \leftarrow PC + 8\text{-bit disp}$</p> <table border="1" style="margin-left: auto; margin-right: auto;"> <thead> <tr> <th colspan="6">PSW Flag Settings</th> </tr> <tr> <th>Z</th> <th>N</th> <th>C</th> <th>V</th> <th>VT</th> <th>ST</th> </tr> </thead> <tbody> <tr> <td>—</td> <td>—</td> <td>—</td> <td>—</td> <td>—</td> <td>—</td> </tr> </tbody> </table>	PSW Flag Settings						Z	N	C	V	VT	ST	—	—	—	—	—	—	<p>JGT cadd (11010010) (disp)</p> <p>NOTE: The displacement (disp) is sign-extended to 16 bits.</p>
PSW Flag Settings																				
Z	N	C	V	VT	ST															
—	—	—	—	—	—															
JH	<p>JUMP IF HIGHER (UNSIGNED). Tests both the zero flag and the carry flag. If either the carry flag is clear or the zero flag is set, control passes to the next sequential instruction. If the carry flag is set and the zero flag is clear, this instruction adds to the program counter the offset between the end of this instruction and the target label, effecting the jump. The offset must be in range of -128 to +127.</p> <p>if C = 1 AND Z = 0 then $PC \leftarrow PC + 8\text{-bit disp}$</p> <table border="1" style="margin-left: auto; margin-right: auto;"> <thead> <tr> <th colspan="6">PSW Flag Settings</th> </tr> <tr> <th>Z</th> <th>N</th> <th>C</th> <th>V</th> <th>VT</th> <th>ST</th> </tr> </thead> <tbody> <tr> <td>—</td> <td>—</td> <td>—</td> <td>—</td> <td>—</td> <td>—</td> </tr> </tbody> </table>	PSW Flag Settings						Z	N	C	V	VT	ST	—	—	—	—	—	—	<p>JH cadd (11011001) (disp)</p> <p>NOTE: The displacement (disp) is sign-extended to 16 bits.</p>
PSW Flag Settings																				
Z	N	C	V	VT	ST															
—	—	—	—	—	—															
JLE	<p>JUMP IF SIGNED LESS THAN OR EQUAL. Tests both the negative flag and the zero flag. If both flags are clear, control passes to the next sequential instruction. If either flag is set, this instruction adds to the program counter the offset between the end of this instruction and the target label, effecting the jump. The offset must be in the range of -128 to +127.</p> <p>if N = 1 OR Z = 1 then $PC \leftarrow PC + 8\text{-bit disp}$</p> <table border="1" style="margin-left: auto; margin-right: auto;"> <thead> <tr> <th colspan="6">PSW Flag Settings</th> </tr> <tr> <th>Z</th> <th>N</th> <th>C</th> <th>V</th> <th>VT</th> <th>ST</th> </tr> </thead> <tbody> <tr> <td>—</td> <td>—</td> <td>—</td> <td>—</td> <td>—</td> <td>—</td> </tr> </tbody> </table>	PSW Flag Settings						Z	N	C	V	VT	ST	—	—	—	—	—	—	<p>JLE cadd (11011010) (disp)</p> <p>NOTE: The displacement (disp) is sign-extended to 16 bits.</p>
PSW Flag Settings																				
Z	N	C	V	VT	ST															
—	—	—	—	—	—															

Table A-6. Instruction Set (Continued)

Mnemonic	Operation	Instruction Format																		
JLT	<p>JUMP IF SIGNED LESS THAN. Tests the negative flag. If the flag is clear, control passes to the next sequential instruction. If the negative flag is set, this instruction adds to the program counter the offset between the end of this instruction and the target label, effecting the jump. The offset must be in the range of -128 to +127.</p> <p>if N = 1 then $PC \leftarrow PC + 8\text{-bit disp}$</p> <table border="1" style="margin-left: auto; margin-right: auto;"> <thead> <tr> <th colspan="6">PSW Flag Settings</th> </tr> <tr> <th>Z</th> <th>N</th> <th>C</th> <th>V</th> <th>VT</th> <th>ST</th> </tr> </thead> <tbody> <tr> <td>—</td> <td>—</td> <td>—</td> <td>—</td> <td>—</td> <td>—</td> </tr> </tbody> </table>	PSW Flag Settings						Z	N	C	V	VT	ST	—	—	—	—	—	—	<p>JLT cadd (11011110) (disp)</p> <p>NOTE: The displacement (disp) is sign-extended to 16 bits.</p>
PSW Flag Settings																				
Z	N	C	V	VT	ST															
—	—	—	—	—	—															
JNC	<p>JUMP IF CARRY FLAG IS CLEAR. Tests the carry flag. If the flag is set, control passes to the next sequential instruction. If the carry flag is clear, this instruction adds to the program counter the offset between the end of this instruction and the target label, effecting the jump. The offset must be in the range of -128 to +127.</p> <p>if C = 0 then $PC \leftarrow PC + 8\text{-bit disp}$</p> <table border="1" style="margin-left: auto; margin-right: auto;"> <thead> <tr> <th colspan="6">PSW Flag Settings</th> </tr> <tr> <th>Z</th> <th>N</th> <th>C</th> <th>V</th> <th>VT</th> <th>ST</th> </tr> </thead> <tbody> <tr> <td>—</td> <td>—</td> <td>—</td> <td>—</td> <td>—</td> <td>—</td> </tr> </tbody> </table>	PSW Flag Settings						Z	N	C	V	VT	ST	—	—	—	—	—	—	<p>JNC cadd (11010011) (disp)</p> <p>NOTE: The displacement (disp) is sign-extended to 16 bits.</p>
PSW Flag Settings																				
Z	N	C	V	VT	ST															
—	—	—	—	—	—															
JNE	<p>JUMP IF NOT EQUAL. Tests the zero flag. If the flag is set, control passes to the next sequential instruction. If the zero flag is clear, this instruction adds to the program counter the offset between the end of this instruction and the target label, effecting the jump. The offset must be in the range of -128 to +127.</p> <p>if Z = 0 then $PC \leftarrow PC + 8\text{-bit disp}$</p> <table border="1" style="margin-left: auto; margin-right: auto;"> <thead> <tr> <th colspan="6">PSW Flag Settings</th> </tr> <tr> <th>Z</th> <th>N</th> <th>C</th> <th>V</th> <th>VT</th> <th>ST</th> </tr> </thead> <tbody> <tr> <td>—</td> <td>—</td> <td>—</td> <td>—</td> <td>—</td> <td>—</td> </tr> </tbody> </table>	PSW Flag Settings						Z	N	C	V	VT	ST	—	—	—	—	—	—	<p>JNE cadd (11010111) (disp)</p> <p>NOTE: The displacement (disp) is sign-extended to 16 bits.</p>
PSW Flag Settings																				
Z	N	C	V	VT	ST															
—	—	—	—	—	—															

Table A-6. Instruction Set (Continued)

Mnemonic	Operation	Instruction Format																		
JNH	<p>JUMP IF NOT HIGHER (UNSIGNED). Tests both the zero flag and the carry flag. If the carry flag is set and the zero flag is clear, control passes to the next sequential instruction. If either the carry flag is clear or the zero flag is set, this instruction adds to the program counter the offset between the end of this instruction and the target label, effecting the jump. The offset must be in range of -128 to +127.</p> <p>if C = 0 OR Z = 1 then $PC \leftarrow PC + 8\text{-bit disp}$</p> <table border="1" style="margin-left: auto; margin-right: auto;"> <thead> <tr> <th colspan="6">PSW Flag Settings</th> </tr> <tr> <th>Z</th> <th>N</th> <th>C</th> <th>V</th> <th>VT</th> <th>ST</th> </tr> </thead> <tbody> <tr> <td>—</td> <td>—</td> <td>—</td> <td>—</td> <td>—</td> <td>—</td> </tr> </tbody> </table>	PSW Flag Settings						Z	N	C	V	VT	ST	—	—	—	—	—	—	<p>JNH cadd (11010001) (disp)</p> <p>NOTE: The displacement (disp) is sign-extended to 16 bits.</p>
PSW Flag Settings																				
Z	N	C	V	VT	ST															
—	—	—	—	—	—															
JNST	<p>JUMP IF STICKY BIT FLAG IS CLEAR. Tests the sticky bit flag. If the flag is set, control passes to the next sequential instruction. If the sticky bit flag is clear, this instruction adds to the program counter the offset between the end of this instruction and the target label, effecting the jump. The offset must be in range of -128 to +127.</p> <p>if ST = 0 then $PC \leftarrow PC + 8\text{-bit disp}$</p> <table border="1" style="margin-left: auto; margin-right: auto;"> <thead> <tr> <th colspan="6">PSW Flag Settings</th> </tr> <tr> <th>Z</th> <th>N</th> <th>C</th> <th>V</th> <th>VT</th> <th>ST</th> </tr> </thead> <tbody> <tr> <td>—</td> <td>—</td> <td>—</td> <td>—</td> <td>—</td> <td>—</td> </tr> </tbody> </table>	PSW Flag Settings						Z	N	C	V	VT	ST	—	—	—	—	—	—	<p>JNST cadd (11010000) (disp)</p> <p>NOTE: The displacement (disp) is sign-extended to 16 bits.</p>
PSW Flag Settings																				
Z	N	C	V	VT	ST															
—	—	—	—	—	—															
JNV	<p>JUMP IF OVERFLOW FLAG IS CLEAR. Tests the overflow flag. If the flag is set, control passes to the next sequential instruction. If the overflow flag is clear, this instruction adds to the program counter the offset between the end of this instruction and the target label, effecting the jump. The offset must be in range of -128 to +127.</p> <p>if V = 0 then $PC \leftarrow PC + 8\text{-bit disp}$</p> <table border="1" style="margin-left: auto; margin-right: auto;"> <thead> <tr> <th colspan="6">PSW Flag Settings</th> </tr> <tr> <th>Z</th> <th>N</th> <th>C</th> <th>V</th> <th>VT</th> <th>ST</th> </tr> </thead> <tbody> <tr> <td>—</td> <td>—</td> <td>—</td> <td>—</td> <td>—</td> <td>—</td> </tr> </tbody> </table>	PSW Flag Settings						Z	N	C	V	VT	ST	—	—	—	—	—	—	<p>JNV cadd (11010101) (disp)</p> <p>NOTE: The displacement (disp) is sign-extended to 16 bits.</p>
PSW Flag Settings																				
Z	N	C	V	VT	ST															
—	—	—	—	—	—															

Table A-6. Instruction Set (Continued)

Mnemonic	Operation	Instruction Format																		
JNVT	<p>JUMP IF OVERFLOW-TRAP FLAG IS CLEAR. Tests the overflow-trap flag. If the flag is set, this instruction clears the flag and passes control to the next sequential instruction. If the overflow-trap flag is clear, this instruction adds to the program counter the offset between the end of this instruction and the target label, effecting the jump. The offset must be in range of -128 to +127.</p> <p>if VT = 0 then $PC \leftarrow PC + 8\text{-bit disp}$</p> <table border="1" style="margin-left: auto; margin-right: auto;"> <thead> <tr> <th colspan="6">PSW Flag Settings</th> </tr> <tr> <th>Z</th> <th>N</th> <th>C</th> <th>V</th> <th>VT</th> <th>ST</th> </tr> </thead> <tbody> <tr> <td>—</td> <td>—</td> <td>—</td> <td>—</td> <td>0</td> <td>—</td> </tr> </tbody> </table>	PSW Flag Settings						Z	N	C	V	VT	ST	—	—	—	—	0	—	<p>JNVT cadd (11010100) (disp)</p> <p>NOTE: The displacement (disp) is sign-extended to 16 bits.</p>
PSW Flag Settings																				
Z	N	C	V	VT	ST															
—	—	—	—	0	—															
JST	<p>JUMP IF STICKY BIT FLAG IS SET. Tests the sticky bit flag. If the flag is clear, control passes to the next sequential instruction. If the sticky bit flag is set, this instruction adds to the program counter the offset between the end of this instruction and the target label, effecting the jump. The offset must be in range of -128 to +127.</p> <p>if ST = 1 then $PC \leftarrow PC + 8\text{-bit disp}$</p> <table border="1" style="margin-left: auto; margin-right: auto;"> <thead> <tr> <th colspan="6">PSW Flag Settings</th> </tr> <tr> <th>Z</th> <th>N</th> <th>C</th> <th>V</th> <th>VT</th> <th>ST</th> </tr> </thead> <tbody> <tr> <td>—</td> <td>—</td> <td>—</td> <td>—</td> <td>—</td> <td>—</td> </tr> </tbody> </table>	PSW Flag Settings						Z	N	C	V	VT	ST	—	—	—	—	—	—	<p>JST cadd (11011000) (disp)</p> <p>NOTE: The displacement (disp) is sign-extended to 16 bits.</p>
PSW Flag Settings																				
Z	N	C	V	VT	ST															
—	—	—	—	—	—															
JV	<p>JUMP IF OVERFLOW FLAG IS SET. Tests the overflow flag. If the flag is clear, control passes to the next sequential instruction. If the overflow flag is set, this instruction adds to the program counter the offset between the end of this instruction and the target label, effecting the jump. The offset must be in range of -128 to +127.</p> <p>if V = 1 then $PC \leftarrow PC + 8\text{-bit disp}$</p> <table border="1" style="margin-left: auto; margin-right: auto;"> <thead> <tr> <th colspan="6">PSW Flag Settings</th> </tr> <tr> <th>Z</th> <th>N</th> <th>C</th> <th>V</th> <th>VT</th> <th>ST</th> </tr> </thead> <tbody> <tr> <td>—</td> <td>—</td> <td>—</td> <td>—</td> <td>—</td> <td>—</td> </tr> </tbody> </table>	PSW Flag Settings						Z	N	C	V	VT	ST	—	—	—	—	—	—	<p>JV cadd (11011101) (disp)</p> <p>NOTE: The displacement (disp) is sign-extended to 16 bits.</p>
PSW Flag Settings																				
Z	N	C	V	VT	ST															
—	—	—	—	—	—															

Table A-6. Instruction Set (Continued)

Mnemonic	Operation	Instruction Format																		
JVT	<p>JUMP IF OVERFLOW-TRAP FLAG IS SET. Tests the overflow-trap flag. If the flag is clear, control passes to the next sequential instruction. If the overflow-trap flag is set, this instruction clears the flag and adds to the program counter the offset between the end of this instruction and the target label, effecting the jump. The offset must be in range of -128 to +127.</p> <p>if VT = 1 then $PC \leftarrow PC + 8\text{-bit disp}$</p> <table border="1" style="margin-left: auto; margin-right: auto;"> <thead> <tr> <th colspan="6">PSW Flag Settings</th> </tr> <tr> <th>Z</th> <th>N</th> <th>C</th> <th>V</th> <th>VT</th> <th>ST</th> </tr> </thead> <tbody> <tr> <td>—</td> <td>—</td> <td>—</td> <td>—</td> <td>0</td> <td>—</td> </tr> </tbody> </table>	PSW Flag Settings						Z	N	C	V	VT	ST	—	—	—	—	0	—	<p>JVT cadd (11011100) (disp)</p> <p>NOTE: The displacement (disp) is sign-extended to 16 bits.</p>
PSW Flag Settings																				
Z	N	C	V	VT	ST															
—	—	—	—	0	—															
LCALL	<p>LONG CALL. Pushes the contents of the program counter (the return address) onto the stack, then adds to the program counter the offset between the end of this instruction and the target label, effecting the call. The offset must be in the range of -32,768 to +32,767.</p> <p>$SP \leftarrow SP - 2$ $(SP) \leftarrow PC$ $PC \leftarrow PC + 16\text{-bit disp}$</p> <table border="1" style="margin-left: auto; margin-right: auto;"> <thead> <tr> <th colspan="6">PSW Flag Settings</th> </tr> <tr> <th>Z</th> <th>N</th> <th>C</th> <th>V</th> <th>VT</th> <th>ST</th> </tr> </thead> <tbody> <tr> <td>—</td> <td>—</td> <td>—</td> <td>—</td> <td>—</td> <td>—</td> </tr> </tbody> </table>	PSW Flag Settings						Z	N	C	V	VT	ST	—	—	—	—	—	—	<p>LCALL cadd (11101111) (disp-low) (disp-high)</p>
PSW Flag Settings																				
Z	N	C	V	VT	ST															
—	—	—	—	—	—															
LD	<p>LOAD WORD. Loads the value of the source word operand into the destination operand. $(DEST) \leftarrow (SRC)$</p> <table border="1" style="margin-left: auto; margin-right: auto;"> <thead> <tr> <th colspan="6">PSW Flag Settings</th> </tr> <tr> <th>Z</th> <th>N</th> <th>C</th> <th>V</th> <th>VT</th> <th>ST</th> </tr> </thead> <tbody> <tr> <td>—</td> <td>—</td> <td>—</td> <td>—</td> <td>—</td> <td>—</td> </tr> </tbody> </table>	PSW Flag Settings						Z	N	C	V	VT	ST	—	—	—	—	—	—	<p>DEST, SRC LD wreg, waop (101000aa) (waop) (wreg)</p>
PSW Flag Settings																				
Z	N	C	V	VT	ST															
—	—	—	—	—	—															
LDB	<p>LOAD BYTE. Loads the value of the source byte operand into the destination operand. $(DEST) \leftarrow (SRC)$</p> <table border="1" style="margin-left: auto; margin-right: auto;"> <thead> <tr> <th colspan="6">PSW Flag Settings</th> </tr> <tr> <th>Z</th> <th>N</th> <th>C</th> <th>V</th> <th>VT</th> <th>ST</th> </tr> </thead> <tbody> <tr> <td>—</td> <td>—</td> <td>—</td> <td>—</td> <td>—</td> <td>—</td> </tr> </tbody> </table>	PSW Flag Settings						Z	N	C	V	VT	ST	—	—	—	—	—	—	<p>DEST, SRC LDB breg, baop (101100aa) (baop) (breg)</p>
PSW Flag Settings																				
Z	N	C	V	VT	ST															
—	—	—	—	—	—															

Table A-6. Instruction Set (Continued)

Mnemonic	Operation	Instruction Format																		
LDBSE	<p>LOAD BYTE SIGN-EXTENDED. Sign-extends the value of the source short-integer operand and loads it into the destination integer operand.</p> <p>(low byte DEST) ← (SRC)</p> <p>if DEST.15 = 1 then (high word DEST) ← 0FFH else (high word DEST) ← 0 end_if</p> <table border="1" style="margin-left: auto; margin-right: auto;"> <thead> <tr> <th colspan="6">PSW Flag Settings</th> </tr> <tr> <th>Z</th> <th>N</th> <th>C</th> <th>V</th> <th>VT</th> <th>ST</th> </tr> </thead> <tbody> <tr> <td>—</td> <td>—</td> <td>—</td> <td>—</td> <td>—</td> <td>—</td> </tr> </tbody> </table>	PSW Flag Settings						Z	N	C	V	VT	ST	—	—	—	—	—	—	<p>DEST, SRC</p> <p>LDBSE wreg, baop (101111aa) (baop) (wreg)</p>
PSW Flag Settings																				
Z	N	C	V	VT	ST															
—	—	—	—	—	—															
LDBZE	<p>LOAD BYTE ZERO-EXTENDED. Zero-extends the value of the source byte operand and loads it into the destination word operand.</p> <p>(low byte DEST) ← (SRC) (high byte DEST) ← 0</p> <table border="1" style="margin-left: auto; margin-right: auto;"> <thead> <tr> <th colspan="6">PSW Flag Settings</th> </tr> <tr> <th>Z</th> <th>N</th> <th>C</th> <th>V</th> <th>VT</th> <th>ST</th> </tr> </thead> <tbody> <tr> <td>—</td> <td>—</td> <td>—</td> <td>—</td> <td>—</td> <td>—</td> </tr> </tbody> </table>	PSW Flag Settings						Z	N	C	V	VT	ST	—	—	—	—	—	—	<p>DEST, SRC</p> <p>LDBZE wreg, baop (101011aa) (baop) (wreg)</p>
PSW Flag Settings																				
Z	N	C	V	VT	ST															
—	—	—	—	—	—															
LJMP	<p>LONG JUMP. Adds to the program counter the offset between the end of this instruction and the target label, effecting the jump. The offset must be in the range of -32,768 to +32,767.</p> <p>PC ← PC + 16-bit disp</p> <table border="1" style="margin-left: auto; margin-right: auto;"> <thead> <tr> <th colspan="6">PSW Flag Settings</th> </tr> <tr> <th>Z</th> <th>N</th> <th>C</th> <th>V</th> <th>VT</th> <th>ST</th> </tr> </thead> <tbody> <tr> <td>—</td> <td>—</td> <td>—</td> <td>—</td> <td>—</td> <td>?</td> </tr> </tbody> </table>	PSW Flag Settings						Z	N	C	V	VT	ST	—	—	—	—	—	?	<p>LJMP cadd (11100111) (disp-low) (disp-high)</p>
PSW Flag Settings																				
Z	N	C	V	VT	ST															
—	—	—	—	—	?															
MUL (2 operands)	<p>MULTIPLY INTEGERS. Multiplies the source and destination integer operands, using signed arithmetic, and stores the 32-bit result into the destination long-integer operand. The sticky bit flag is undefined after the instruction is executed.</p> <p>(DEST) ← (DEST) × (SRC)</p> <table border="1" style="margin-left: auto; margin-right: auto;"> <thead> <tr> <th colspan="6">PSW Flag Settings</th> </tr> <tr> <th>Z</th> <th>N</th> <th>C</th> <th>V</th> <th>VT</th> <th>ST</th> </tr> </thead> <tbody> <tr> <td>—</td> <td>—</td> <td>—</td> <td>—</td> <td>—</td> <td>?</td> </tr> </tbody> </table>	PSW Flag Settings						Z	N	C	V	VT	ST	—	—	—	—	—	?	<p>DEST, SRC</p> <p>MUL lreg, waop (11111110) (011011aa) (waop) (lreg)</p>
PSW Flag Settings																				
Z	N	C	V	VT	ST															
—	—	—	—	—	?															

Table A-6. Instruction Set (Continued)

Mnemonic	Operation	Instruction Format																		
MUL (3 operands)	<p>MULTIPLY INTEGERS. Multiplies the two source integer operands, using signed arithmetic, and stores the 32-bit result into the destination long-integer operand. The sticky bit flag is undefined after the instruction is executed.</p> $(DEST) \leftarrow (SRC1) \times (SRC2)$ <table border="1" style="margin-left: auto; margin-right: auto;"> <thead> <tr> <th colspan="6">PSW Flag Settings</th> </tr> <tr> <th>Z</th> <th>N</th> <th>C</th> <th>V</th> <th>VT</th> <th>ST</th> </tr> </thead> <tbody> <tr> <td>—</td> <td>—</td> <td>—</td> <td>—</td> <td>—</td> <td>?</td> </tr> </tbody> </table>	PSW Flag Settings						Z	N	C	V	VT	ST	—	—	—	—	—	?	<p>DEST, SRC1, SRC2</p> <p>MUL Ireg, wreg, waop (11111110) (010011aa) (waop) (wreg) (Ireg)</p>
PSW Flag Settings																				
Z	N	C	V	VT	ST															
—	—	—	—	—	?															
MULB (2 operands)	<p>MULTIPLY SHORT-INTEGERS. Multiplies the source and destination short-integer operands, using signed arithmetic, and stores the 16-bit result into the destination integer operand. The sticky bit flag is undefined after the instruction is executed.</p> $(DEST) \leftarrow (DEST) \times (SRC)$ <table border="1" style="margin-left: auto; margin-right: auto;"> <thead> <tr> <th colspan="6">PSW Flag Settings</th> </tr> <tr> <th>Z</th> <th>N</th> <th>C</th> <th>V</th> <th>VT</th> <th>ST</th> </tr> </thead> <tbody> <tr> <td>—</td> <td>—</td> <td>—</td> <td>—</td> <td>—</td> <td>?</td> </tr> </tbody> </table>	PSW Flag Settings						Z	N	C	V	VT	ST	—	—	—	—	—	?	<p>DEST, SRC</p> <p>MULB wreg, baop (11111110) (011111aa) (baop) (wreg)</p>
PSW Flag Settings																				
Z	N	C	V	VT	ST															
—	—	—	—	—	?															
MULB (3 operands)	<p>MULTIPLY SHORT-INTEGERS. Multiplies the two source short-integer operands, using signed arithmetic, and stores the 16-bit result into the destination integer operand. The sticky bit flag is undefined after the instruction is executed.</p> $(DEST) \leftarrow (SRC1) \times (SRC2)$ <table border="1" style="margin-left: auto; margin-right: auto;"> <thead> <tr> <th colspan="6">PSW Flag Settings</th> </tr> <tr> <th>Z</th> <th>N</th> <th>C</th> <th>V</th> <th>VT</th> <th>ST</th> </tr> </thead> <tbody> <tr> <td>—</td> <td>—</td> <td>—</td> <td>—</td> <td>—</td> <td>?</td> </tr> </tbody> </table>	PSW Flag Settings						Z	N	C	V	VT	ST	—	—	—	—	—	?	<p>DEST, SRC1, SRC2</p> <p>MULB wreg, breg, baop (11111110) (010111aa) (baop) (breg) (wreg)</p>
PSW Flag Settings																				
Z	N	C	V	VT	ST															
—	—	—	—	—	?															
MULU (2 operands)	<p>MULTIPLY WORDS, UNSIGNED. Multiplies the source and destination word operands, using unsigned arithmetic, and stores the 32-bit result into the destination double-word operand. The sticky bit flag is undefined after the instruction is executed.</p> $(DEST) \leftarrow (DEST) \times (SRC)$ <table border="1" style="margin-left: auto; margin-right: auto;"> <thead> <tr> <th colspan="6">PSW Flag Settings</th> </tr> <tr> <th>Z</th> <th>N</th> <th>C</th> <th>V</th> <th>VT</th> <th>ST</th> </tr> </thead> <tbody> <tr> <td>—</td> <td>—</td> <td>—</td> <td>—</td> <td>—</td> <td>?</td> </tr> </tbody> </table>	PSW Flag Settings						Z	N	C	V	VT	ST	—	—	—	—	—	?	<p>DEST, SRC</p> <p>MULU Ireg, waop (011011aa) (waop) (Ireg)</p>
PSW Flag Settings																				
Z	N	C	V	VT	ST															
—	—	—	—	—	?															

Table A-6. Instruction Set (Continued)

Mnemonic	Operation	Instruction Format																		
MULU (3 operands)	<p>MULTIPLY WORDS, UNSIGNED. Multiplies the two source word operands, using unsigned arithmetic, and stores the 32-bit result into the destination double-word operand. The sticky bit flag is undefined after the instruction is executed.</p> $(DEST) \leftarrow (SRC1) \times (SRC2)$ <table border="1" style="margin-left: auto; margin-right: auto;"> <thead> <tr> <th colspan="6">PSW Flag Settings</th> </tr> <tr> <th>Z</th> <th>N</th> <th>C</th> <th>V</th> <th>VT</th> <th>ST</th> </tr> </thead> <tbody> <tr> <td>—</td> <td>—</td> <td>—</td> <td>—</td> <td>—</td> <td>?</td> </tr> </tbody> </table>	PSW Flag Settings						Z	N	C	V	VT	ST	—	—	—	—	—	?	<p>DEST, SRC1, SRC2</p> <p>MULU lreg, wreg, waop (010011aa) (waop) (wreg) (lreg)</p>
PSW Flag Settings																				
Z	N	C	V	VT	ST															
—	—	—	—	—	?															
MULUB (2 operands)	<p>MULTIPLY BYTES, UNSIGNED. Multiplies the source and destination operands, using unsigned arithmetic, and stores the word result into the destination operand. The sticky bit flag is undefined after the instruction is executed.</p> $(DEST) \leftarrow (DEST) \times (SRC)$ <table border="1" style="margin-left: auto; margin-right: auto;"> <thead> <tr> <th colspan="6">PSW Flag Settings</th> </tr> <tr> <th>Z</th> <th>N</th> <th>C</th> <th>V</th> <th>VT</th> <th>ST</th> </tr> </thead> <tbody> <tr> <td>—</td> <td>—</td> <td>—</td> <td>—</td> <td>—</td> <td>?</td> </tr> </tbody> </table>	PSW Flag Settings						Z	N	C	V	VT	ST	—	—	—	—	—	?	<p>DEST, SRC</p> <p>MULUB wreg, baop (011111aa) (baop) (wreg)</p>
PSW Flag Settings																				
Z	N	C	V	VT	ST															
—	—	—	—	—	?															
MULUB (3 operands)	<p>MULTIPLY BYTES, UNSIGNED. Multiplies the two source byte operands, using unsigned arithmetic, and stores the word result into the destination operand. The sticky bit flag is undefined after the instruction is executed.</p> $(DEST) \leftarrow (SRC1) \times (SRC2)$ <table border="1" style="margin-left: auto; margin-right: auto;"> <thead> <tr> <th colspan="6">PSW Flag Settings</th> </tr> <tr> <th>Z</th> <th>N</th> <th>C</th> <th>V</th> <th>VT</th> <th>ST</th> </tr> </thead> <tbody> <tr> <td>—</td> <td>—</td> <td>—</td> <td>—</td> <td>—</td> <td>?</td> </tr> </tbody> </table>	PSW Flag Settings						Z	N	C	V	VT	ST	—	—	—	—	—	?	<p>DEST, SRC1, SRC2</p> <p>MULUB wreg, breg, baop (010111aa) (baop) (breg) (wreg)</p>
PSW Flag Settings																				
Z	N	C	V	VT	ST															
—	—	—	—	—	?															
NEG	<p>NEGATE INTEGER. Negates the value of the integer operand.</p> $(DEST) \leftarrow -(DEST)$ <table border="1" style="margin-left: auto; margin-right: auto;"> <thead> <tr> <th colspan="6">PSW Flag Settings</th> </tr> <tr> <th>Z</th> <th>N</th> <th>C</th> <th>V</th> <th>VT</th> <th>ST</th> </tr> </thead> <tbody> <tr> <td>✓</td> <td>✓</td> <td>✓</td> <td>✓</td> <td>↑</td> <td>—</td> </tr> </tbody> </table>	PSW Flag Settings						Z	N	C	V	VT	ST	✓	✓	✓	✓	↑	—	<p>NEG wreg (00000011) (wreg)</p>
PSW Flag Settings																				
Z	N	C	V	VT	ST															
✓	✓	✓	✓	↑	—															

Table A-6. Instruction Set (Continued)

Mnemonic	Operation	Instruction Format																		
NEGB	<p>NEGATE SHORT-INTEGGER. Negates the value of the short-integer operand. $(DEST) \leftarrow -(DEST)$</p> <table border="1" style="margin-left: auto; margin-right: auto;"> <thead> <tr> <th colspan="6">PSW Flag Settings</th> </tr> <tr> <th>Z</th> <th>N</th> <th>C</th> <th>V</th> <th>VT</th> <th>ST</th> </tr> </thead> <tbody> <tr> <td>✓</td> <td>✓</td> <td>✓</td> <td>✓</td> <td>↑</td> <td>—</td> </tr> </tbody> </table>	PSW Flag Settings						Z	N	C	V	VT	ST	✓	✓	✓	✓	↑	—	<p>NEGB breg (00010011) (breg)</p>
PSW Flag Settings																				
Z	N	C	V	VT	ST															
✓	✓	✓	✓	↑	—															
NOP	<p>NO OPERATION. Does nothing. Control passes to the next sequential instruction.</p> <table border="1" style="margin-left: auto; margin-right: auto;"> <thead> <tr> <th colspan="6">PSW Flag Settings</th> </tr> <tr> <th>Z</th> <th>N</th> <th>C</th> <th>V</th> <th>VT</th> <th>ST</th> </tr> </thead> <tbody> <tr> <td>—</td> <td>—</td> <td>—</td> <td>—</td> <td>—</td> <td>—</td> </tr> </tbody> </table>	PSW Flag Settings						Z	N	C	V	VT	ST	—	—	—	—	—	—	<p>NOP (11111101)</p>
PSW Flag Settings																				
Z	N	C	V	VT	ST															
—	—	—	—	—	—															
NORML	<p>NORMALIZE LONG-INTEGGER. Normalizes the source (leftmost) long-integer operand. (That is, it shifts the operand to the left until its most significant bit is "1" or until it has performed 31 shifts). If the most significant bit is still "0" after 31 shifts, the instruction stops the process and sets the zero flag. The instruction stores the actual number of shifts performed in the destination (rightmost) operand. $(COUNT) \leftarrow 0$ do while $(MSB(DEST) = 0) \text{ AND } (COUNT) < 31$ $(DEST) \leftarrow (DEST) \times 2$ $(COUNT) \leftarrow (COUNT) + 1$ end_while</p> <table border="1" style="margin-left: auto; margin-right: auto;"> <thead> <tr> <th colspan="6">PSW Flag Settings</th> </tr> <tr> <th>Z</th> <th>N</th> <th>C</th> <th>V</th> <th>VT</th> <th>ST</th> </tr> </thead> <tbody> <tr> <td>✓</td> <td>?</td> <td>0</td> <td>—</td> <td>—</td> <td>—</td> </tr> </tbody> </table>	PSW Flag Settings						Z	N	C	V	VT	ST	✓	?	0	—	—	—	<p>SRC, DEST NORML lreg, breg (00001111) (breg) (lreg)</p>
PSW Flag Settings																				
Z	N	C	V	VT	ST															
✓	?	0	—	—	—															
NOT	<p>COMPLEMENT WORD. Complements the value of the word operand (replaces each "1" with a "0" and each "0" with a "1"). $(DEST) \leftarrow \text{NOT}(DEST)$</p> <table border="1" style="margin-left: auto; margin-right: auto;"> <thead> <tr> <th colspan="6">PSW Flag Settings</th> </tr> <tr> <th>Z</th> <th>N</th> <th>C</th> <th>V</th> <th>VT</th> <th>ST</th> </tr> </thead> <tbody> <tr> <td>✓</td> <td>✓</td> <td>0</td> <td>0</td> <td>—</td> <td>—</td> </tr> </tbody> </table>	PSW Flag Settings						Z	N	C	V	VT	ST	✓	✓	0	0	—	—	<p>NOT wreg (00000010) (wreg)</p>
PSW Flag Settings																				
Z	N	C	V	VT	ST															
✓	✓	0	0	—	—															

Table A-6. Instruction Set (Continued)

Mnemonic	Operation	Instruction Format																		
NOTB	<p>COMPLEMENT BYTE. Complements the value of the byte operand (replaces each "1" with a "0" and each "0" with a "1").</p> <p>(DEST) ← NOT (DEST)</p> <table border="1" style="margin-left: auto; margin-right: auto;"> <thead> <tr> <th colspan="6">PSW Flag Settings</th> </tr> <tr> <th>Z</th> <th>N</th> <th>C</th> <th>V</th> <th>VT</th> <th>ST</th> </tr> </thead> <tbody> <tr> <td>✓</td> <td>✓</td> <td>0</td> <td>0</td> <td>—</td> <td>—</td> </tr> </tbody> </table>	PSW Flag Settings						Z	N	C	V	VT	ST	✓	✓	0	0	—	—	<p>NOTB breg (00010010) (breg)</p>
PSW Flag Settings																				
Z	N	C	V	VT	ST															
✓	✓	0	0	—	—															
OR	<p>LOGICAL OR WORDS. ORs the source word operand with the destination word operand and replaces the original destination operand with the result. The result has a "1" in each bit position in which either the source or destination operand had a "1".</p> <p>(DEST) ← (DEST) OR (SRC)</p> <table border="1" style="margin-left: auto; margin-right: auto;"> <thead> <tr> <th colspan="6">PSW Flag Settings</th> </tr> <tr> <th>Z</th> <th>N</th> <th>C</th> <th>V</th> <th>VT</th> <th>ST</th> </tr> </thead> <tbody> <tr> <td>✓</td> <td>✓</td> <td>0</td> <td>0</td> <td>—</td> <td>—</td> </tr> </tbody> </table>	PSW Flag Settings						Z	N	C	V	VT	ST	✓	✓	0	0	—	—	<p>DEST, SRC OR wreg, waop (10000aa) (waop) (wreg)</p>
PSW Flag Settings																				
Z	N	C	V	VT	ST															
✓	✓	0	0	—	—															
ORB	<p>LOGICAL OR BYTES. ORs the source byte operand with the destination byte operand and replaces the original destination operand with the result. The result has a "1" in each bit position in which either the source or destination operand had a "1".</p> <p>(DEST) ← (DEST) OR (SRC)</p> <table border="1" style="margin-left: auto; margin-right: auto;"> <thead> <tr> <th colspan="6">PSW Flag Settings</th> </tr> <tr> <th>Z</th> <th>N</th> <th>C</th> <th>V</th> <th>VT</th> <th>ST</th> </tr> </thead> <tbody> <tr> <td>✓</td> <td>✓</td> <td>0</td> <td>0</td> <td>—</td> <td>—</td> </tr> </tbody> </table>	PSW Flag Settings						Z	N	C	V	VT	ST	✓	✓	0	0	—	—	<p>DEST, SRC ORB breg, baop (100100aa) (baop) (breg)</p>
PSW Flag Settings																				
Z	N	C	V	VT	ST															
✓	✓	0	0	—	—															
POP	<p>POP WORD. Pops the word on top of the stack and places it at the destination operand.</p> <p>(DEST) ← (SP) SP ← SP + 2</p> <table border="1" style="margin-left: auto; margin-right: auto;"> <thead> <tr> <th colspan="6">PSW Flag Settings</th> </tr> <tr> <th>Z</th> <th>N</th> <th>C</th> <th>V</th> <th>VT</th> <th>ST</th> </tr> </thead> <tbody> <tr> <td>—</td> <td>—</td> <td>—</td> <td>—</td> <td>—</td> <td>—</td> </tr> </tbody> </table>	PSW Flag Settings						Z	N	C	V	VT	ST	—	—	—	—	—	—	<p>POP waop (110011aa) (waop)</p>
PSW Flag Settings																				
Z	N	C	V	VT	ST															
—	—	—	—	—	—															

Table A-6. Instruction Set (Continued)

Mnemonic	Operation	Instruction Format																		
POPA	<p>POP ALL. This instruction is used instead of POPF, to support the eight additional interrupts. It pops two words off the stack and places the first word into the INT_MASK1/WSR register pair and the second word into the PSW/INT_MASK register-pair. This instruction increments the SP by 4. Interrupt-calls cannot occur immediately following this instruction.</p> <p>INT_MASK1/WSR ← (SP) SP ← SP + 2 PSW/INT_MASK ← (SP) SP ← SP + 2</p> <table border="1" data-bbox="325 609 646 704"> <thead> <tr> <th colspan="6">PSW Flag Settings</th> </tr> <tr> <th>Z</th> <th>N</th> <th>C</th> <th>V</th> <th>VT</th> <th>ST</th> </tr> </thead> <tbody> <tr> <td>✓</td> <td>✓</td> <td>✓</td> <td>✓</td> <td>✓</td> <td>✓</td> </tr> </tbody> </table>	PSW Flag Settings						Z	N	C	V	VT	ST	✓	✓	✓	✓	✓	✓	<p>POPA (11110101)</p>
PSW Flag Settings																				
Z	N	C	V	VT	ST															
✓	✓	✓	✓	✓	✓															
POPF	<p>POP FLAGS. Pops the word on top of the stack and places it into the PSW. Interrupt-calls cannot occur immediately following this instruction.</p> <p>(PSW) ← (SP) SP ← SP + 2</p> <table border="1" data-bbox="325 904 646 999"> <thead> <tr> <th colspan="6">PSW Flag Settings</th> </tr> <tr> <th>Z</th> <th>N</th> <th>C</th> <th>V</th> <th>VT</th> <th>ST</th> </tr> </thead> <tbody> <tr> <td>✓</td> <td>✓</td> <td>✓</td> <td>✓</td> <td>✓</td> <td>✓</td> </tr> </tbody> </table>	PSW Flag Settings						Z	N	C	V	VT	ST	✓	✓	✓	✓	✓	✓	<p>POPF (11110011)</p>
PSW Flag Settings																				
Z	N	C	V	VT	ST															
✓	✓	✓	✓	✓	✓															
PUSH	<p>PUSH WORD. Pushes the word operand onto the stack.</p> <p>SP ← SP – 2 (SP) ← (DEST)</p> <table border="1" data-bbox="325 1156 646 1251"> <thead> <tr> <th colspan="6">PSW Flag Settings</th> </tr> <tr> <th>Z</th> <th>N</th> <th>C</th> <th>V</th> <th>VT</th> <th>ST</th> </tr> </thead> <tbody> <tr> <td>—</td> <td>—</td> <td>—</td> <td>—</td> <td>—</td> <td>—</td> </tr> </tbody> </table>	PSW Flag Settings						Z	N	C	V	VT	ST	—	—	—	—	—	—	<p>PUSH waop (110010aa) (waop)</p>
PSW Flag Settings																				
Z	N	C	V	VT	ST															
—	—	—	—	—	—															

Table A-6. Instruction Set (Continued)

Mnemonic	Operation	Instruction Format																		
PUSHA	<p>PUSH ALL. This instruction is used instead of PUSHF, to support the eight additional interrupts. It pushes two words — PSW/INT_MASK and INT_MASK1/WSR — onto the stack.</p> <p>This instruction clears the PSW, INT_MASK, and INT_MASK1 registers and decrements the SP by 4. Interrupt-calls cannot occur immediately following this instruction.</p> <p>$SP \leftarrow SP - 2$ $(SP) \leftarrow PSW/INT_MASK$ $PSW/INT_MASK \leftarrow 0$ $SP \leftarrow SP - 2$ $(SP) \leftarrow INT_MASK1/WSR$ $INT_MASK1 \leftarrow 0$</p> <table border="1"> <thead> <tr> <th colspan="6">PSW Flag Settings</th> </tr> <tr> <th>Z</th> <th>N</th> <th>C</th> <th>V</th> <th>VT</th> <th>ST</th> </tr> </thead> <tbody> <tr> <td>0</td> <td>0</td> <td>0</td> <td>0</td> <td>0</td> <td>0</td> </tr> </tbody> </table>	PSW Flag Settings						Z	N	C	V	VT	ST	0	0	0	0	0	0	<p>PUSHA (11110100)</p>
PSW Flag Settings																				
Z	N	C	V	VT	ST															
0	0	0	0	0	0															
PUSHF	<p>PUSH FLAGS. Pushes the PSW onto the top of the stack, then clears it. Clearing the PSW disables interrupt servicing. Interrupt-calls cannot occur immediately following this instruction.</p> <p>$SP \leftarrow SP - 2$ $(SP) \leftarrow PSW/INT_MASK$ $PSW/INT_MASK \leftarrow 0$</p> <table border="1"> <thead> <tr> <th colspan="6">PSW Flag Settings</th> </tr> <tr> <th>Z</th> <th>N</th> <th>C</th> <th>V</th> <th>VT</th> <th>ST</th> </tr> </thead> <tbody> <tr> <td>0</td> <td>0</td> <td>0</td> <td>0</td> <td>0</td> <td>0</td> </tr> </tbody> </table>	PSW Flag Settings						Z	N	C	V	VT	ST	0	0	0	0	0	0	<p>PUSHF (11110010)</p>
PSW Flag Settings																				
Z	N	C	V	VT	ST															
0	0	0	0	0	0															
RET	<p>RETURN FROM SUBROUTINE. Pops the PC off the top of the stack.</p> <p>$PC \leftarrow (SP)$ $SP \leftarrow SP + 2$</p> <table border="1"> <thead> <tr> <th colspan="6">PSW Flag Settings</th> </tr> <tr> <th>Z</th> <th>N</th> <th>C</th> <th>V</th> <th>VT</th> <th>ST</th> </tr> </thead> <tbody> <tr> <td>—</td> <td>—</td> <td>—</td> <td>—</td> <td>—</td> <td>—</td> </tr> </tbody> </table>	PSW Flag Settings						Z	N	C	V	VT	ST	—	—	—	—	—	—	<p>RET (11110000)</p>
PSW Flag Settings																				
Z	N	C	V	VT	ST															
—	—	—	—	—	—															

Table A-6. Instruction Set (Continued)

Mnemonic	Operation	Instruction Format																		
RST	<p>RESET SYSTEM. Initializes the PSW to zero, the PC to 2080H, and the pins and SFRs to their reset values. Executing this instruction causes the RESET# pin to be pulled low for 16 state times.</p> <p>SFR ← Reset Status Pin ← Reset Status PSW ← 0 PC ← 2080H</p> <table border="1" data-bbox="325 517 646 612"> <thead> <tr> <th colspan="6">PSW Flag Settings</th> </tr> <tr> <th>Z</th> <th>N</th> <th>C</th> <th>V</th> <th>VT</th> <th>ST</th> </tr> </thead> <tbody> <tr> <td>0</td> <td>0</td> <td>0</td> <td>0</td> <td>0</td> <td>0</td> </tr> </tbody> </table>	PSW Flag Settings						Z	N	C	V	VT	ST	0	0	0	0	0	0	<p>RST (11111111)</p>
PSW Flag Settings																				
Z	N	C	V	VT	ST															
0	0	0	0	0	0															
SCALL	<p>SHORT CALL. Pushes the contents of the program counter (the return address) onto the stack, then adds to the program counter the offset between the end of this instruction and the target label, effecting the call. The offset must be in the range of -1024 to +1023.</p> <p>SP ← SP - 2 (SP) ← PC PC ← PC + 11-bit disp</p> <table border="1" data-bbox="325 907 646 1003"> <thead> <tr> <th colspan="6">PSW Flag Settings</th> </tr> <tr> <th>Z</th> <th>N</th> <th>C</th> <th>V</th> <th>VT</th> <th>ST</th> </tr> </thead> <tbody> <tr> <td>—</td> <td>—</td> <td>—</td> <td>—</td> <td>—</td> <td>—</td> </tr> </tbody> </table>	PSW Flag Settings						Z	N	C	V	VT	ST	—	—	—	—	—	—	<p>SCALL cadd (00101xxx) (disp-low)</p> <p>NOTE: The displacement (disp) is sign-extended to 16-bits.</p>
PSW Flag Settings																				
Z	N	C	V	VT	ST															
—	—	—	—	—	—															
SETC	<p>SET CARRY FLAG. Sets the carry flag.</p> <p>C ← 1</p> <table border="1" data-bbox="325 1107 646 1203"> <thead> <tr> <th colspan="6">PSW Flag Settings</th> </tr> <tr> <th>Z</th> <th>N</th> <th>C</th> <th>V</th> <th>VT</th> <th>ST</th> </tr> </thead> <tbody> <tr> <td>—</td> <td>—</td> <td>1</td> <td>—</td> <td>—</td> <td>—</td> </tr> </tbody> </table>	PSW Flag Settings						Z	N	C	V	VT	ST	—	—	1	—	—	—	<p>SETC (11111001)</p>
PSW Flag Settings																				
Z	N	C	V	VT	ST															
—	—	1	—	—	—															

Table A-6. Instruction Set (Continued)

Mnemonic	Operation	Instruction Format																		
SHL	<p>SHIFT WORD LEFT. Shifts the destination word operand to the left as many times as specified by the count operand. The count may be specified either as an immediate value in the range of 0 to 15 (0FH), inclusive, or as the content of any register (10H – 0FFH) with a value in the range of 0 to 31 (1FH), inclusive. The right bits of the result are filled with zeroes. The last bit shifted out is saved in the carry flag.</p> <p>Temp ← (COUNT) do while Temp ≠ 0 C ← High order bit of (DEST) (DEST) ← (DEST) × 2 Temp ← Temp – 1 end_while</p> <table border="1" data-bbox="325 682 646 777"> <thead> <tr> <th colspan="6">PSW Flag Settings</th> </tr> <tr> <th>Z</th> <th>N</th> <th>C</th> <th>V</th> <th>VT</th> <th>ST</th> </tr> </thead> <tbody> <tr> <td>✓</td> <td>✓</td> <td>✓</td> <td>✓</td> <td>↑</td> <td>—</td> </tr> </tbody> </table>	PSW Flag Settings						Z	N	C	V	VT	ST	✓	✓	✓	✓	↑	—	<p>SHL wreg,#count (00001001) (count) (wreg) or SHL wreg,breg (00001001) (breg) (wreg)</p>
PSW Flag Settings																				
Z	N	C	V	VT	ST															
✓	✓	✓	✓	↑	—															
SHLB	<p>SHIFT BYTE LEFT. Shifts the destination byte operand to the left as many times as specified by the count operand. The count may be specified either as an immediate value in the range of 0 to 15 (0FH), inclusive, or as the content of any register (10H – 0FFH) with a value in the range of 0 to 31 (1FH), inclusive. The right bits of the result are filled with zeroes. The last bit shifted out is saved in the carry flag.</p> <p>Temp ← (COUNT) do while Temp ≠ 0 C ← High order bit of (DEST) (DEST) ← (DEST) × 2 Temp ← Temp – 1 end_while</p> <table border="1" data-bbox="325 1216 646 1312"> <thead> <tr> <th colspan="6">PSW Flag Settings</th> </tr> <tr> <th>Z</th> <th>N</th> <th>C</th> <th>V</th> <th>VT</th> <th>ST</th> </tr> </thead> <tbody> <tr> <td>✓</td> <td>✓</td> <td>✓</td> <td>✓</td> <td>↑</td> <td>—</td> </tr> </tbody> </table>	PSW Flag Settings						Z	N	C	V	VT	ST	✓	✓	✓	✓	↑	—	<p>SHLB breg,#count (00011001) (count) (breg) or SHLB breg,breg (00011001) (breg) (breg)</p>
PSW Flag Settings																				
Z	N	C	V	VT	ST															
✓	✓	✓	✓	↑	—															

Table A-6. Instruction Set (Continued)

Mnemonic	Operation	Instruction Format																		
SHLL	<p>SHIFT DOUBLE-WORD LEFT. Shifts the destination double-word operand to the left as many times as specified by the count operand. The count may be specified either as an immediate value in the range of 0 to 15 (0FH), inclusive, or as the content of any register (10H – 0FFH) with a value in the range of 0 to 31 (1FH), inclusive. The right bits of the result are filled with zeroes. The last bit shifted out is saved in the carry flag.</p> <p>Temp ← (COUNT) do while Temp ≠ 0 C ← High order bit of (DEST) (DEST) ← (DEST) × 2 Temp ← Temp – 1 end_while</p> <table border="1" data-bbox="325 682 646 777"> <thead> <tr> <th colspan="6">PSW Flag Settings</th> </tr> <tr> <th>Z</th> <th>N</th> <th>C</th> <th>V</th> <th>VT</th> <th>ST</th> </tr> </thead> <tbody> <tr> <td>✓</td> <td>✓</td> <td>✓</td> <td>✓</td> <td>↑</td> <td>—</td> </tr> </tbody> </table>	PSW Flag Settings						Z	N	C	V	VT	ST	✓	✓	✓	✓	↑	—	<p>SHLL Ireg,#count (00001101) (count) (breg)</p> <p>or</p> <p>SHLL Ireg,breg (00001101) (breg) (Ireg)</p>
PSW Flag Settings																				
Z	N	C	V	VT	ST															
✓	✓	✓	✓	↑	—															
SHR	<p>LOGICAL RIGHT SHIFT WORD. Shifts the destination word operand to the right as many times as specified by the count operand. The count may be specified either as an immediate value in the range of 0 to 15 (0FH), inclusive, or as the content of any register (10H – 0FFH) with a value in the range of 0 to 31 (1FH), inclusive. The left bits of the result are filled with zeroes. The last bit shifted out is saved in the carry flag.</p> <p>Temp ← (COUNT) do while Temp ≠ 0 C ← Low order bit of (DEST) (DEST) ← (DEST)/2 Temp ← Temp – 1 end_while</p> <table border="1" data-bbox="325 1225 646 1321"> <thead> <tr> <th colspan="6">PSW Flag Settings</th> </tr> <tr> <th>Z</th> <th>N</th> <th>C</th> <th>V</th> <th>VT</th> <th>ST</th> </tr> </thead> <tbody> <tr> <td>✓</td> <td>0</td> <td>✓</td> <td>0</td> <td>—</td> <td>✓</td> </tr> </tbody> </table>	PSW Flag Settings						Z	N	C	V	VT	ST	✓	0	✓	0	—	✓	<p>SHR wreg,#count (00001000) (count) (wreg)</p> <p>or</p> <p>SHR wreg,breg (00001000) (breg) (wreg)</p> <p>NOTES: This instruction clears the sticky bit flag at the beginning of the instruction. If at any time during the shift a “1” is shifted into the carry flag and another shift cycle occurs, the instruction sets the sticky bit flag.</p> <p>In this operation, DEST/2 represents unsigned division.</p>
PSW Flag Settings																				
Z	N	C	V	VT	ST															
✓	0	✓	0	—	✓															

Table A-6. Instruction Set (Continued)

Mnemonic	Operation	Instruction Format																		
SHRA	<p>ARITHMETIC RIGHT SHIFT WORD. Shifts the destination word operand to the right as many times as specified by the count operand. The count may be specified either as an immediate value in the range of 0 to 15 (0FH), inclusive, or as the content of any register (10H – 0FFH) with a value in the range of 0 to 31 (1FH), inclusive. If the original high order bit value was “0,” zeroes are shifted in. If the value was “1,” ones are shifted in. The last bit shifted out is saved in the carry flag.</p> <p>Temp ← (COUNT) do while Temp ≠ 0 C ← Low order bit of (DEST) (DEST) ← (DEST)/2 Temp ← Temp – 1 end_while</p> <table border="1" data-bbox="325 725 645 822"> <thead> <tr> <th colspan="6">PSW Flag Settings</th> </tr> <tr> <th>Z</th> <th>N</th> <th>C</th> <th>V</th> <th>VT</th> <th>ST</th> </tr> </thead> <tbody> <tr> <td>✓</td> <td>✓</td> <td>✓</td> <td>0</td> <td>—</td> <td>✓</td> </tr> </tbody> </table>	PSW Flag Settings						Z	N	C	V	VT	ST	✓	✓	✓	0	—	✓	<p>SHRA wreg,#count (00001010) (count) (wreg) or SHRA wreg,breg (00001010) (breg) (wreg)</p> <p>NOTE: This instruction clears the sticky bit flag at the beginning of the instruction. If at any time during the shift a “1” is shifted into the carry flag and another shift cycle occurs, the instruction sets the sticky bit flag.</p> <p>In this operation, DEST/2 represents signed division.</p>
PSW Flag Settings																				
Z	N	C	V	VT	ST															
✓	✓	✓	0	—	✓															
SHRAB	<p>ARITHMETIC RIGHT SHIFT BYTE. Shifts the destination byte operand to the right as many times as specified by the count operand. The count may be specified either as an immediate value in the range of 0 to 15 (0FH), inclusive, or as the content of any register (10H – 0FFH) with a value in the range of 0 to 31 (1FH), inclusive. If the original high order bit value was “0,” zeroes are shifted in. If the value was “1,” ones are shifted in. The last bit shifted out is saved in the carry flag.</p> <p>Temp ← (COUNT) do while Temp ≠ 0 C = Low order bit of (DEST) (DEST) ← (DEST)/2 Temp ← Temp – 1 end_while</p> <table border="1" data-bbox="325 1308 645 1406"> <thead> <tr> <th colspan="6">PSW Flag Settings</th> </tr> <tr> <th>Z</th> <th>N</th> <th>C</th> <th>V</th> <th>VT</th> <th>ST</th> </tr> </thead> <tbody> <tr> <td>✓</td> <td>✓</td> <td>✓</td> <td>0</td> <td>—</td> <td>✓</td> </tr> </tbody> </table>	PSW Flag Settings						Z	N	C	V	VT	ST	✓	✓	✓	0	—	✓	<p>SHRAB breg,#count (00011010) (count) (breg) or SHRAB breg,breg (00011010) (breg) (breg)</p> <p>NOTES: This instruction clears the sticky bit flag at the beginning of the instruction. If at any time during the shift a “1” is shifted into the carry flag and another shift cycle occurs, the instruction sets the sticky bit flag.</p> <p>In this operation, DEST/2 represents signed division.</p>
PSW Flag Settings																				
Z	N	C	V	VT	ST															
✓	✓	✓	0	—	✓															

Table A-6. Instruction Set (Continued)

Mnemonic	Operation	Instruction Format																		
SHRAL	<p>ARITHMETIC RIGHT SHIFT DOUBLE-WORD. Shifts the destination double-word operand to the right as many times as specified by the count operand. The count may be specified either as an immediate value in the range of 0 to 15 (0FH), inclusive, or as the content of any register (10H – 0FFH) with a value in the range of 0 to 31 (1FH), inclusive. If the original high order bit value was “0,” zeroes are shifted in. If the value was “1,” ones are shifted in.</p> <p>Temp ← (COUNT) do while Temp ≠ 0 C ← Low order bit of (DEST) (DEST) ← (DEST)/2 Temp ← Temp – 1 end_while</p> <table border="1" data-bbox="325 704 646 800"> <thead> <tr> <th colspan="6">PSW Flag Settings</th> </tr> <tr> <th>Z</th> <th>N</th> <th>C</th> <th>V</th> <th>VT</th> <th>ST</th> </tr> </thead> <tbody> <tr> <td>✓</td> <td>✓</td> <td>✓</td> <td>0</td> <td>—</td> <td>✓</td> </tr> </tbody> </table>	PSW Flag Settings						Z	N	C	V	VT	ST	✓	✓	✓	0	—	✓	<p>SHRAL <i>ireg</i>,#count (00001110) (count) (<i>ireg</i>)</p> <p>or</p> <p>SHRAL <i>ireg</i>,<i>breg</i> (00001110) (<i>breg</i>) (<i>ireg</i>)</p> <p>NOTES: This instruction clears the sticky bit flag at the beginning of the instruction. If at any time during the shift a “1” is shifted into the carry flag and another shift cycle occurs, the instruction sets the sticky bit flag.</p> <p>In this operation, DEST/2 represents signed division.</p>
PSW Flag Settings																				
Z	N	C	V	VT	ST															
✓	✓	✓	0	—	✓															
SHRB	<p>LOGICAL RIGHT SHIFT BYTE. Shifts the destination byte operand to the right as many times as specified by the count operand. The count may be specified either as an immediate value in the range of 0 to 15 (0FH), inclusive, or as the content of any register (10H – 0FFH) with a value in the range of 0 to 31 (1FH), inclusive. The left bits of the result are filled with zeroes. The last bit shifted out is saved in the carry flag.</p> <p>Temp ← (COUNT) do while Temp ≠ 0 C ← Low order bit of (DEST) (DEST) ← (DEST)/2 Temp ← Temp – 1 end_while</p> <table border="1" data-bbox="325 1239 646 1334"> <thead> <tr> <th colspan="6">PSW Flag Settings</th> </tr> <tr> <th>Z</th> <th>N</th> <th>C</th> <th>V</th> <th>VT</th> <th>ST</th> </tr> </thead> <tbody> <tr> <td>✓</td> <td>0</td> <td>✓</td> <td>0</td> <td>—</td> <td>✓</td> </tr> </tbody> </table>	PSW Flag Settings						Z	N	C	V	VT	ST	✓	0	✓	0	—	✓	<p>SHRB <i>breg</i>,#count (00011000) (count) (<i>breg</i>)</p> <p>or</p> <p>SHRB <i>breg</i>,<i>breg</i> (00011000) (<i>breg</i>) (<i>breg</i>)</p> <p>NOTES: This instruction clears the sticky bit flag at the beginning of the instruction. If at any time during the shift a “1” is shifted into the carry flag and another shift cycle occurs, the instruction sets the sticky bit flag.</p> <p>In this operation, DEST/2 represents unsigned division.</p>
PSW Flag Settings																				
Z	N	C	V	VT	ST															
✓	0	✓	0	—	✓															

Table A-6. Instruction Set (Continued)

Mnemonic	Operation	Instruction Format																		
SHRL	<p>LOGICAL RIGHT SHIFT DOUBLE-WORD. Shifts the destination double-word operand to the right as many times as specified by the count operand. The count may be specified either as an immediate value in the range of 0 to 15 (0FH), inclusive, or as the content of any register (10H – 0FFH) with a value in the range of 0 to 31 (1FH), inclusive. The left bits of the result are filled with zeroes. The last bit shifted out is saved in the carry flag.</p> <p>Temp ← (COUNT) do while Temp ≠ 0 C ← Low order bit of (DEST) (DEST) ← (DEST)/2 Temp ← Temp – 1 end_while</p> <table border="1" style="margin-left: auto; margin-right: auto;"> <thead> <tr> <th colspan="6">PSW Flag Settings</th> </tr> <tr> <th>Z</th> <th>N</th> <th>C</th> <th>V</th> <th>VT</th> <th>ST</th> </tr> </thead> <tbody> <tr> <td>✓</td> <td>0</td> <td>✓</td> <td>0</td> <td>—</td> <td>✓</td> </tr> </tbody> </table>	PSW Flag Settings						Z	N	C	V	VT	ST	✓	0	✓	0	—	✓	<p>SHRL ireg,#count (00001100) (count) (ireg)</p> <p>or</p> <p>SHRL ireg,breg (00001100) (breg) (ireg)</p> <p>NOTES: This instruction clears the sticky bit flag at the beginning of the instruction. If at any time during the shift a “1” is shifted into the carry flag and another shift cycle occurs, the instruction sets the sticky bit flag.</p> <p>In this operation, DEST/2 represents unsigned division.</p>
PSW Flag Settings																				
Z	N	C	V	VT	ST															
✓	0	✓	0	—	✓															
SJMP	<p>SHORT JUMP. Adds to the program counter the offset between the end of this instruction and the target label, effecting the jump. The offset must be in the range of –1024 to +1023, inclusive.</p> <p>PC ← PC + 11-bit disp</p> <table border="1" style="margin-left: auto; margin-right: auto;"> <thead> <tr> <th colspan="6">PSW Flag Settings</th> </tr> <tr> <th>Z</th> <th>N</th> <th>C</th> <th>V</th> <th>VT</th> <th>ST</th> </tr> </thead> <tbody> <tr> <td>—</td> <td>—</td> <td>—</td> <td>—</td> <td>—</td> <td>—</td> </tr> </tbody> </table>	PSW Flag Settings						Z	N	C	V	VT	ST	—	—	—	—	—	—	<p>SJMP cadd (00100xxx) (disp-low)</p> <p>NOTE: The displacement (disp) is sign-extended to 16 bits.</p>
PSW Flag Settings																				
Z	N	C	V	VT	ST															
—	—	—	—	—	—															
SKIP	<p>TWO BYTE NO-OPERATION. Does nothing. Control passes to the next sequential instruction. This is actually a two-byte NOP in which the second byte can be any value and is simply ignored.</p> <table border="1" style="margin-left: auto; margin-right: auto;"> <thead> <tr> <th colspan="6">PSW Flag Settings</th> </tr> <tr> <th>Z</th> <th>N</th> <th>C</th> <th>V</th> <th>VT</th> <th>ST</th> </tr> </thead> <tbody> <tr> <td>—</td> <td>—</td> <td>—</td> <td>—</td> <td>—</td> <td>—</td> </tr> </tbody> </table>	PSW Flag Settings						Z	N	C	V	VT	ST	—	—	—	—	—	—	<p>SKIP breg (00000000) (breg)</p>
PSW Flag Settings																				
Z	N	C	V	VT	ST															
—	—	—	—	—	—															

Table A-6. Instruction Set (Continued)

Mnemonic	Operation	Instruction Format																		
ST	<p>STORE WORD. Stores the value of the source (leftmost) word operand into the destination (rightmost) operand.</p> <p>(DEST) ← (SRC)</p> <table border="1" data-bbox="325 395 646 491"> <thead> <tr> <th colspan="6">PSW Flag Settings</th> </tr> <tr> <th>Z</th> <th>N</th> <th>C</th> <th>V</th> <th>VT</th> <th>ST</th> </tr> </thead> <tbody> <tr> <td>—</td> <td>—</td> <td>—</td> <td>—</td> <td>—</td> <td>—</td> </tr> </tbody> </table>	PSW Flag Settings						Z	N	C	V	VT	ST	—	—	—	—	—	—	<p>SRC, DEST</p> <p>ST wreg, waop (110000aa) (waop) (wreg)</p>
PSW Flag Settings																				
Z	N	C	V	VT	ST															
—	—	—	—	—	—															
STB	<p>STORE BYTE. Stores the value of the source (leftmost) byte operand into the destination (rightmost) operand.</p> <p>(DEST) ← (SRC)</p> <table border="1" data-bbox="325 644 646 739"> <thead> <tr> <th colspan="6">PSW Flag Settings</th> </tr> <tr> <th>Z</th> <th>N</th> <th>C</th> <th>V</th> <th>VT</th> <th>ST</th> </tr> </thead> <tbody> <tr> <td>—</td> <td>—</td> <td>—</td> <td>—</td> <td>—</td> <td>—</td> </tr> </tbody> </table>	PSW Flag Settings						Z	N	C	V	VT	ST	—	—	—	—	—	—	<p>SRC, DEST</p> <p>STB breg, baop (110001aa) (baop) (breg)</p>
PSW Flag Settings																				
Z	N	C	V	VT	ST															
—	—	—	—	—	—															
SUB (2 operands)	<p>SUBTRACT WORDS. Subtracts the source word operand from the destination word operand, stores the result in the destination operand, and sets the carry flag as the complement of borrow.</p> <p>(DEST) ← (DEST) – (SRC)</p> <table border="1" data-bbox="325 939 646 1034"> <thead> <tr> <th colspan="6">PSW Flag Settings</th> </tr> <tr> <th>Z</th> <th>N</th> <th>C</th> <th>V</th> <th>VT</th> <th>ST</th> </tr> </thead> <tbody> <tr> <td>✓</td> <td>✓</td> <td>✓</td> <td>✓</td> <td>↑</td> <td>—</td> </tr> </tbody> </table>	PSW Flag Settings						Z	N	C	V	VT	ST	✓	✓	✓	✓	↑	—	<p>DEST, SRC</p> <p>SUB wreg, waop (011010aa) (waop) (wreg)</p>
PSW Flag Settings																				
Z	N	C	V	VT	ST															
✓	✓	✓	✓	↑	—															
SUB (3 operands)	<p>SUBTRACT WORDS. Subtracts the first source word operand from the second, stores the result in the destination operand, and sets the carry flag as the complement of borrow.</p> <p>(DEST) ← (SRC1) – (SRC2)</p> <table border="1" data-bbox="325 1211 646 1307"> <thead> <tr> <th colspan="6">PSW Flag Settings</th> </tr> <tr> <th>Z</th> <th>N</th> <th>C</th> <th>V</th> <th>VT</th> <th>ST</th> </tr> </thead> <tbody> <tr> <td>✓</td> <td>✓</td> <td>✓</td> <td>✓</td> <td>↑</td> <td>—</td> </tr> </tbody> </table>	PSW Flag Settings						Z	N	C	V	VT	ST	✓	✓	✓	✓	↑	—	<p>DEST, SRC1, SRC2</p> <p>SUB Dwreg, Swreg, waop (010010aa) (waop) (Swreg) (Dwreg)</p>
PSW Flag Settings																				
Z	N	C	V	VT	ST															
✓	✓	✓	✓	↑	—															

Table A-6. Instruction Set (Continued)

Mnemonic	Operation	Instruction Format																		
SUBB (2 operands)	<p>SUBTRACT BYTES. Subtracts the source byte operand from the destination byte operand, stores the result in the destination operand, and sets the carry flag as the complement of borrow.</p> $(DEST) \leftarrow (DEST) - (SRC)$ <table border="1" style="margin-left: auto; margin-right: auto;"> <thead> <tr> <th colspan="6">PSW Flag Settings</th> </tr> <tr> <th>Z</th> <th>N</th> <th>C</th> <th>V</th> <th>VT</th> <th>ST</th> </tr> </thead> <tbody> <tr> <td>✓</td> <td>✓</td> <td>✓</td> <td>✓</td> <td>↑</td> <td>—</td> </tr> </tbody> </table>	PSW Flag Settings						Z	N	C	V	VT	ST	✓	✓	✓	✓	↑	—	<p>DEST, SRC</p> <p>SUBB breg, baop (011110aa) (baop) (breg)</p>
PSW Flag Settings																				
Z	N	C	V	VT	ST															
✓	✓	✓	✓	↑	—															
SUBB (3 operands)	<p>SUBTRACT BYTES. Subtracts the first source byte operand from the second, stores the result in the destination operand, and sets the carry flag as the complement of borrow.</p> $(DEST) \leftarrow (SRC1) - (SRC2)$ <table border="1" style="margin-left: auto; margin-right: auto;"> <thead> <tr> <th colspan="6">PSW Flag Settings</th> </tr> <tr> <th>Z</th> <th>N</th> <th>C</th> <th>V</th> <th>VT</th> <th>ST</th> </tr> </thead> <tbody> <tr> <td>✓</td> <td>✓</td> <td>✓</td> <td>✓</td> <td>↑</td> <td>—</td> </tr> </tbody> </table>	PSW Flag Settings						Z	N	C	V	VT	ST	✓	✓	✓	✓	↑	—	<p>DEST, SRC1, SRC2</p> <p>SUBB Dbreg, Sbreg, baop (010110aa) (baop) (Sbreg) (Dbreg)</p>
PSW Flag Settings																				
Z	N	C	V	VT	ST															
✓	✓	✓	✓	↑	—															
SUBC	<p>SUBTRACT WORDS WITH BORROW. Subtracts the source word operand from the destination word operand. If the carry flag was clear, SUBC subtracts 1 from the result. It stores the result in the destination operand and sets the carry flag as the complement of borrow.</p> $(DEST) \leftarrow (DEST) - (SRC) - (1-C)$ <table border="1" style="margin-left: auto; margin-right: auto;"> <thead> <tr> <th colspan="6">PSW Flag Settings</th> </tr> <tr> <th>Z</th> <th>N</th> <th>C</th> <th>V</th> <th>VT</th> <th>ST</th> </tr> </thead> <tbody> <tr> <td>↓</td> <td>✓</td> <td>✓</td> <td>✓</td> <td>↑</td> <td>—</td> </tr> </tbody> </table>	PSW Flag Settings						Z	N	C	V	VT	ST	↓	✓	✓	✓	↑	—	<p>DEST, SRC</p> <p>SUBC wreg, waop (101010aa) (waop) (wreg)</p>
PSW Flag Settings																				
Z	N	C	V	VT	ST															
↓	✓	✓	✓	↑	—															
SUBCB	<p>SUBTRACT BYTES WITH BORROW. Subtracts the source byte operand from the destination byte operand. If the carry flag was clear, SUBCB subtracts 1 from the result. It stores the result in the destination operand and sets the carry flag as the complement of borrow.</p> $(DEST) \leftarrow (DEST) - (SRC) - (1-C)$ <table border="1" style="margin-left: auto; margin-right: auto;"> <thead> <tr> <th colspan="6">PSW Flag Settings</th> </tr> <tr> <th>Z</th> <th>N</th> <th>C</th> <th>V</th> <th>VT</th> <th>ST</th> </tr> </thead> <tbody> <tr> <td>↓</td> <td>✓</td> <td>✓</td> <td>✓</td> <td>↑</td> <td>—</td> </tr> </tbody> </table>	PSW Flag Settings						Z	N	C	V	VT	ST	↓	✓	✓	✓	↑	—	<p>DEST, SRC</p> <p>SUBCB breg, baop (101110aa) (baop) (breg)</p>
PSW Flag Settings																				
Z	N	C	V	VT	ST															
↓	✓	✓	✓	↑	—															

Table A-6. Instruction Set (Continued)

Mnemonic	Operation	Instruction Format																		
TIJMP	<p>TABLE INDIRECT JUMP. Causes execution to continue at an address selected from a table of addresses.</p> <p>The TIJMP instruction reduces the interrupt response time associated with servicing multiple interrupt sources that are multiplexed into a single interrupt request line (a single vector). It is typically used in conjunction with the EPAIPV register to determine the source of multiplexed EPA interrupts. ("Servicing the Multiplexed EPA Interrupt with Software" on page 10-29 discusses the use of TIJMP with the EPA.)</p> <p>The first word register, TBASE, contains the 16-bit address of the beginning of the jump table. TBASE can be located in RAM up to 0FEH without windowing or above 0FFH with windowing. The jump table itself can be placed at any nonreserved memory location on a word boundary.</p> <p>The second word register, INDEX, contains the 16-bit address that points to a register containing a 7-bit value. This value is used to calculate the offset into the jump table. Like TBASE, INDEX can be located in RAM up to 0FEH without windowing or above 0FFH with windowing. Note that the 16-bit address contained in INDEX is absolute; it disregards any windowing that may be in effect when the TIJMP instruction is executed.</p> <p>The byte operand, #MASK, is 7-bit immediate data to mask INDEX. #MASK is ANDed with INDEX to determine the offset (OFFSET). OFFSET is multiplied by two, then added to the base address (TBASE) to determine the destination address (DEST X).</p> <p>[INDEX] AND #MASK = OFFSET $(2 \times \text{OFFSET}) + \text{TBASE} = \text{DEST X}$ PC ← (DEST X)</p> <table border="1" data-bbox="325 1260 646 1355"> <thead> <tr> <th colspan="6">PSW Flag Settings</th> </tr> <tr> <th>Z</th> <th>N</th> <th>C</th> <th>V</th> <th>VT</th> <th>ST</th> </tr> </thead> <tbody> <tr> <td>—</td> <td>—</td> <td>—</td> <td>—</td> <td>—</td> <td>—</td> </tr> </tbody> </table>	PSW Flag Settings						Z	N	C	V	VT	ST	—	—	—	—	—	—	<p>TIJMP TBASE, [INDEX], #MASK (11100010) [INDEX] (#MASK) (TBASE)</p> <p>NOTE: TIJMP multiplies OFFSET by two to provide for word alignment of the jump table. This must be considered when decoding the EPAIPV register and when setting up the jump table.</p>
PSW Flag Settings																				
Z	N	C	V	VT	ST															
—	—	—	—	—	—															

Table A-6. Instruction Set (Continued)

Mnemonic	Operation	Instruction Format																		
TRAP	<p>SOFTWARE TRAP. This instruction causes an interrupt-call that is vectored through location 2010H. The operation of this instruction is not affected by the state of the interrupt enable flag (I) in the PSW. Interrupt-calls cannot occur immediately following this instruction.</p> <p>SP ← SP – 2 (SP) ← PC PC ← (2010H)</p> <table border="1" data-bbox="325 569 646 664"> <thead> <tr> <th colspan="6">PSW Flag Settings</th> </tr> <tr> <th>Z</th> <th>N</th> <th>C</th> <th>V</th> <th>VT</th> <th>ST</th> </tr> </thead> <tbody> <tr> <td>—</td> <td>—</td> <td>—</td> <td>—</td> <td>—</td> <td>—</td> </tr> </tbody> </table>	PSW Flag Settings						Z	N	C	V	VT	ST	—	—	—	—	—	—	<p>TRAP (11110111)</p> <p>NOTE: This instruction is not supported by assemblers. The TRAP instruction is intended for use by development tools. These tools may not support user-application of this instruction.</p>
PSW Flag Settings																				
Z	N	C	V	VT	ST															
—	—	—	—	—	—															
XCH	<p>EXCHANGE WORD. Exchanges the value of the source word operand with that of the destination word operand.</p> <p>(DEST) ↔ (SRC)</p> <table border="1" data-bbox="325 817 646 913"> <thead> <tr> <th colspan="6">PSW Flag Settings</th> </tr> <tr> <th>Z</th> <th>N</th> <th>C</th> <th>V</th> <th>VT</th> <th>ST</th> </tr> </thead> <tbody> <tr> <td>—</td> <td>—</td> <td>—</td> <td>—</td> <td>—</td> <td>—</td> </tr> </tbody> </table>	PSW Flag Settings						Z	N	C	V	VT	ST	—	—	—	—	—	—	<p>DEST, SRC</p> <p>XCH wreg, waop (00000100) (waop) (wreg) direct (00001011) (waop) (wreg) indexed</p>
PSW Flag Settings																				
Z	N	C	V	VT	ST															
—	—	—	—	—	—															
XCHB	<p>EXCHANGE BYTE. Exchanges the value of the source byte operand with that of the destination byte operand.</p> <p>(DEST) ↔ (SRC)</p> <table border="1" data-bbox="325 1065 646 1161"> <thead> <tr> <th colspan="6">PSW Flag Settings</th> </tr> <tr> <th>Z</th> <th>N</th> <th>C</th> <th>V</th> <th>VT</th> <th>ST</th> </tr> </thead> <tbody> <tr> <td>—</td> <td>—</td> <td>—</td> <td>—</td> <td>—</td> <td>—</td> </tr> </tbody> </table>	PSW Flag Settings						Z	N	C	V	VT	ST	—	—	—	—	—	—	<p>DEST, SRC</p> <p>XCHB breg, baop (00010100) (baop) (breg) direct (00011011) (baop) (breg) indexed</p>
PSW Flag Settings																				
Z	N	C	V	VT	ST															
—	—	—	—	—	—															
XOR	<p>LOGICAL EXCLUSIVE-OR WORDS. XORs the source word operand with the destination word operand and stores the result in the destination operand. The result has ones in the bit positions in which either operand (but not both) had a "1" and zeros in all other bit positions.</p> <p>(DEST) ← (DEST) XOR (SRC)</p> <table border="1" data-bbox="325 1409 646 1505"> <thead> <tr> <th colspan="6">PSW Flag Settings</th> </tr> <tr> <th>Z</th> <th>N</th> <th>C</th> <th>V</th> <th>VT</th> <th>ST</th> </tr> </thead> <tbody> <tr> <td>✓</td> <td>✓</td> <td>0</td> <td>0</td> <td>—</td> <td>—</td> </tr> </tbody> </table>	PSW Flag Settings						Z	N	C	V	VT	ST	✓	✓	0	0	—	—	<p>DEST, SRC</p> <p>XOR wreg, waop (100001aa) (waop) (wreg)</p>
PSW Flag Settings																				
Z	N	C	V	VT	ST															
✓	✓	0	0	—	—															

Table A-6. Instruction Set (Continued)

Mnemonic	Operation	Instruction Format																		
XORB	<p>LOGICAL EXCLUSIVE-OR BYTES. XORs the source byte operand with the destination byte operand and stores the result in the destination operand. The result has ones in the bit positions in which either operand (but not both) had a "1" and zeros in all other bit positions.</p> <p>(DEST) ← (DEST) XOR (SRC)</p> <table border="1" data-bbox="325 493 646 586"> <thead> <tr> <th colspan="6">PSW Flag Settings</th> </tr> <tr> <th>Z</th> <th>N</th> <th>C</th> <th>V</th> <th>VT</th> <th>ST</th> </tr> </thead> <tbody> <tr> <td>✓</td> <td>✓</td> <td>0</td> <td>0</td> <td>—</td> <td>—</td> </tr> </tbody> </table>	PSW Flag Settings						Z	N	C	V	VT	ST	✓	✓	0	0	—	—	<p>DEST, SRC</p> <p>XORB breg, baop (100101aa) (baop) (breg)</p>
PSW Flag Settings																				
Z	N	C	V	VT	ST															
✓	✓	0	0	—	—															

Table A-7 lists the instruction opcodes, in hexadecimal order, along with the corresponding instruction mnemonics.

Table A-7. Instruction Opcodes

Hex Code	Instruction Mnemonic
00	SKIP
01	CLR
02	NOT
03	NEG
04	XCH Direct
05	DEC
06	EXT
07	INC
08	SHR
09	SHL
0A	SHRA
0B	XCH Indexed
0C	SHRL
0D	SHLL
0E	SHRAL
0F	NORML
10	Reserved
11	CLRB
12	NOTB
13	NEGB
14	XCHB Direct
15	DECB
16	EXTB
17	INCB
18	SHRB
19	SHLB
1A	SHRAB
1B	XCHB Indexed
1C–1F	Reserved (Note 1)
20–27	SJMP
28–2F	SCALL
30–37	JBC
38–3F	JBS
40	AND Direct (3 ops)
41	AND Immediate (3 ops)
42	AND Indirect (3 ops)
43	AND Indexed (3 ops)
44	ADD Direct (3 ops)
45	ADD Immediate (3 ops)
46	ADD Indirect (3 ops)

Table A-7. Instruction Opcodes (Continued)

Hex Code	Instruction Mnemonic
47	ADD Indexed (3 ops)
48	SUB Direct (3 ops)
49	SUB Immediate (3 ops)
4A	SUB Indirect (3 ops)
4B	SUB Indexed (3 ops)
4C	MULU Direct (3 ops)
4D	MULU Immediate (3 ops)
4E	MULU Indirect (3 ops)
4F	MULU Indexed (3 ops)
50	ANDB Direct (3 ops)
51	ANDB Immediate (3 ops)
52	ANDB Indirect (3 ops)
53	ANDB Indexed (3 ops)
54	ADDB Direct (3 ops)
55	ADDB Immediate (3 ops)
56	ADDB Indirect (3 ops)
57	ADDB Indexed (3 ops)
58	SUBB Direct (3 ops)
59	SUBB Immediate (3 ops)
5A	SUBB Indirect (3 ops)
5B	SUBB Indexed (3 ops)
5C	MULUB Direct (3 ops)
5D	MULUB Immediate (3 ops)
5E	MULUB Indirect (3 ops)
5F	MULUB Indexed (3 ops)
60	AND Direct (2 ops)
61	AND Immediate (2 ops)
62	AND Indirect (2 ops)
63	AND Indexed (2 ops)
64	ADD Direct (2 ops)
65	ADD Immediate (2 ops)
66	ADD Indirect (2 ops)
67	ADD Indexed (2 ops)
68	SUB Direct (2 ops)
69	SUB Immediate (2 ops)
6A	SUB Indirect (2 ops)
6B	SUB Indexed (2 ops)
6C	MULU Direct (2 ops)
6D	MULU Immediate (2 ops)
6E	MULU Indirect (2 ops)
6F	MULU Indexed (2 ops)

Table A-7. Instruction Opcodes (Continued)

Hex Code	Instruction Mnemonic
70	ANDB Direct (2 ops)
71	ANDB Immediate (2 ops)
72	ANDB Indirect (2 ops)
73	ANDB Indexed (2 ops)
74	ADDB Direct (2 ops)
75	ADDB Immediate (2 ops)
76	ADDB Indirect (2 ops)
77	ADDB Indexed (2 ops)
78	SUBB Direct (2 ops)
79	SUBB Immediate (2 ops)
7A	SUBB Indirect (2 ops)
7B	SUBB Indexed (2 ops)
7C	MULUB Direct (2 ops)
7D	MULUB Immediate (2 ops)
7E	MULUB Indirect (2 ops)
7F	MULUB Indexed (2 ops)
80	OR Direct
81	OR Immediate
82	OR Indirect
83	OR Indexed
84	XOR Direct
85	XOR Immediate
86	XOR Indirect
87	XOR Indexed
88	CMP Direct
89	CMP Immediate
8A	CMP Indirect
8B	CMP Indexed
8C	DIVU Direct
8E	DIVU Indirect
8F	DIVU Indexed
90	ORB Direct
91	ORB Immediate
92	ORB Indirect
93	ORB Indexed
94	XORB Direct
95	XORB Immediate
96	XORB Indirect
97	XORB Indexed
98	CMPB Direct
99	CMPB Immediate

Table A-7. Instruction Opcodes (Continued)

Hex Code	Instruction Mnemonic
9A	CMPB Indirect
9B	CMPB Indexed
9C	DIVUB Direct
9D	DIVUB Immediate
9E	DIVUB Indirect
9F	DIVUB Indexed
A0	LD Direct
A1	LD Immediate
A2	LD Indirect
A3	LD Indexed
A4	ADDC Direct
A5	ADDC Immediate
A6	ADDC Indirect
A7	ADDC Indexed
A8	SUBC Direct
A9	SUBC Immediate
AA	SUBC Indirect
AB	SUBC Indexed
AC	LDBZE Direct
AD	LDBZE Immediate
AE	LDBZE Indirect
AF	LDBZE Indexed
B0	LDB Direct
B1	LDB Immediate
B2	LDB Indirect
B3	LDB Indexed
B4	ADDCB Direct
B5	ADDCB Immediate
B6	ADDCB Indirect
B7	ADDCB Indexed
B8	SUBCB Direct
B9	SUBCB Immediate
BA	SUBCB Indirect
BB	SUBCB Indexed
BC	LDBSE Direct
BD	LDBSE Immediate
BE	LDBSE Indirect
BF	LDBSE Indexed
C0	ST Direct
C1	BMOV
C2	ST Indirect

Table A-7. Instruction Opcodes (Continued)

Hex Code	Instruction Mnemonic
C3	ST Indexed
C4	STB Direct
C5	CMPL
C6	STB Indirect
C7	STB Indexed
C8	PUSH Direct
C9	PUSH Immediate
CA	PUSH Indirect
CB	PUSH Indexed
CC	POP Direct
CD	BMOVI
CE	POP Indirect
CF	POP Indexed
D0	JNST
D1	JNH
D2	JGT
D3	JNC
D4	JNVT
D5	JNV
D4	JNVT
D5	JNV
D6	JGE
D7	JNE
D8	JST
D9	JH
DA	JLE
DB	JC
DC	JVT
DD	JV
DE	JLT
DF	JE
E0	DJNZ
E1	DJNZW
E2	TIJMP
E3	BR Indirect
E4–EB	Reserved (Note 1)
EC	DPTS
ED	EPTS
EE	Reserved (Note 1)
EF	LCALL
F0	RET

Table A-7. Instruction Opcodes (Continued)

Hex Code	Instruction Mnemonic
F2	PUSHF
F3	POPF
F4	PUSHA
F5	POPA
F6	IDLDP
F7	TRAP
F8	CLRC
F9	SETC
FA	DI
FB	EI
FC	CLRVT
FD	NOP
FE	DIV/DIVB/MUL/MULB (Note 2)
FF	RST

NOTES:

1. For the 8XC196KS and KT only, this opcode is reserved, but it does not generate an unimplemented opcode interrupt.
2. Signed multiplication and division are two-byte instructions. For each signed instruction, the first byte is "FE" and the second is the opcode of the corresponding unsigned instruction. For example, the opcode for MULU (3 operands) direct is "4C," so the opcode for MUL (3 operands) direct is "FE 4C."

Table A-8 lists instructions along with their lengths and opcodes for each applicable addressing mode. A dash (—) in any column indicates "not applicable."

Table A-8. Instruction Lengths and Hexadecimal Opcodes

Arithmetic (Group I)								
Mnemonic	Direct		Immediate		Indirect (Note 1)		Indexed (Notes 1, 2)	
	Length	Opcode	Length	Opcode	Length	Opcode	Length S/L	Opcode
ADD (2 ops)	3	64	4	65	3	66	4/5	67
ADD (3 ops)	4	44	5	45	4	46	5/6	47
ADDB (2 ops)	3	74	3	75	3	76	4/5	77
ADDB (3 ops)	4	54	4	55	4	56	5/6	57
ADDC	3	A4	4	A5	3	A6	4/5	A7
ADDCB	3	B4	3	B5	3	B6	4/5	B7
CLR	2	01	—	—	—	—	—	—
CLRB	2	11	—	—	—	—	—	—
CMP	3	88	4	89	3	8A	4/5	8B
CMPB	3	98	3	99	3	9A	4/5	9B
CMPL	3	C5	—	—	—	—	—	—
DEC	2	05	—	—	—	—	—	—
DECB	2	15	—	—	—	—	—	—
EXT	2	06	—	—	—	—	—	—
EXTB	2	16	—	—	—	—	—	—
INC	2	07	—	—	—	—	—	—
INCB	2	17	—	—	—	—	—	—
SUB (2 ops)	3	68	4	69	3	6A	4/5	6B
SUB (3 ops)	4	48	5	49	4	4A	5/6	4B
SUBB (2 ops)	3	78	3	79	3	7A	4/5	7B
SUBB (3 ops)	4	58	4	59	4	5A	5/6	5B
SUBC	3	A8	4	A9	3	AA	4/5	AB
SUBCB	3	B8	3	B9	3	BA	4/5	BB

NOTES:

1. Indirect normal and indirect autoincrement share the same opcodes, as do short- and long-indexed modes. Because word registers always have even addresses, the address can be expressed in the upper seven bits; the least-significant bit determines the addressing mode. Indirect normal and short-indexed modes make the second byte of the instruction even (LSB = 0). Indirect autoincrement and long-indexed modes make the second byte odd (LSB = 1).
2. For indexed instructions, the first column lists instruction lengths as *S/L*, where *S* is the short-indexed instruction length and *L* is the long-indexed instruction length.
3. For the SCALL and SJMP instructions, the three least-significant bits of the opcode are concatenated with the eight bits to form an 11-bit, 2's complement offset.

Table A-8. Instruction Lengths and Hexadecimal Opcodes (Continued)

Arithmetic (Group II)								
Mnemonic	Direct		Immediate		Indirect (Note 1)		Indexed (Notes 1, 2)	
	Length	Opcode	Length	Opcode	Length	Opcode	Length S/L	Opcode
DIV	4	FE 8C	5	FE 8D	4	FE 8E	5/6	FE 8F
DIVB	4	FE 9C	4	FE 9D	4	FE 9E	5/6	FE 9F
DIVU	3	8C	4	8D	3	8E	4/5	8F
DIVUB	3	9C	3	9D	3	9E	4/5	9F
MUL (2 ops)	4	FE 6C	5	FE 6D	4	FE 6E	5/6	FE 6F
MUL (3 ops)	5	FE 4C	6	FE 4D	5	FE 4E	6/7	FE 4F
MULB (2 ops)	4	FE 7C	4	FE 7D	4	FE 7E	5/6	FE 7F
MULB (3 ops)	5	FE 5C	5	FE 5D	5	FE 5E	6/7	FE 5F
MULU (2 ops)	3	6C	4	6D	3	6E	4/5	6F
MULU (3 ops)	4	4C	5	4D	4	4E	5/6	4F
MULUB (2 ops)	3	7C	3	7D	3	7E	4/5	7F
MULUB (3 ops)	4	5C	4	5D	4	5E	5/6	5F
Logical								
Mnemonic	Direct		Immediate		Indirect (Note 1)		Indexed (Notes 1, 2)	
	Length	Opcode	Length	Opcode	Length	Opcode	Length S/L	Opcode
AND (2 ops)	3	60	4	61	3	62	4/5	63
AND (3 ops)	4	40	5	41	4	42	5/6	43
ANDB (2 ops)	3	70	3	71	3	72	4/5	73
ANDB (3 ops)	4	50	4	51	4	52	5/6	53
NEG	2	03	—	—	—	—	—	—
NEGB	2	13	—	—	—	—	—	—
NOT	2	02	—	—	—	—	—	—
NOTB	2	12	—	—	—	—	—	—
OR	3	80	4	81	3	82	4/5	83
ORB	3	90	3	91	3	92	4/5	93
XOR	3	84	4	85	3	86	4/5	87
XORB	3	94	3	95	3	96	4/5	97

NOTES:

1. Indirect normal and indirect autoincrement share the same opcodes, as do short- and long-indexed modes. Because word registers always have even addresses, the address can be expressed in the upper seven bits; the least-significant bit determines the addressing mode. Indirect normal and short-indexed modes make the second byte of the instruction even (LSB = 0). Indirect autoincrement and long-indexed modes make the second byte odd (LSB = 1).
2. For indexed instructions, the first column lists instruction lengths as *S/L*, where *S* is the short-indexed instruction length and *L* is the long-indexed instruction length.
3. For the SCALL and SJMP instructions, the three least-significant bits of the opcode are concatenated with the eight bits to form an 11-bit, 2's complement offset.

Table A-8. Instruction Lengths and Hexadecimal Opcodes (Continued)

Stack								
Mnemonic	Direct		Immediate		Indirect (Note 1)		Indexed (Notes 1, 2)	
	Length	Opcode	Length	Opcode	Length	Opcode	Length S/L	Opcode
POP	2	CC	—	—	2	CE	3/4	CF
POPA	1	F5	—	—	—	—	—	—
POPF	1	F3	—	—	—	—	—	—
PUSH	2	C8	3	C9	2	CA	3/4	CB
PUSHA	1	F4	—	—	—	—	—	—
PUSHF	1	F2	—	—	—	—	—	—
Data								
Mnemonic	Length	Opcode	Length	Opcode	Length	Opcode	Length	Opcode
	Direct		Immediate		Indirect (Note 1)		Indexed (Notes 1, 2)	
	Length	Opcode	Length	Opcode	Length	Opcode	Length S/L	Opcode
BMOV	—	—	—	—	3	C1	—	—
BMOVI	—	—	—	—	3	CD	—	—
LD	3	A0	4	A1	3	A2	4/5	A3
LDB	3	B0	3	B1	3	B2	4/5	B3
LDBSE	3	BC	3	BD	3	BE	4/5	BF
LDBZE	3	AC	3	AD	3	AE	4/5	AF
ST	3	C0	—	—	3	C2	4/5	C3
STB	3	C4	—	—	3	C6	4/5	C7
XCH	3	04	—	—	—	—	4/5	0B
XCHB	3	14	—	—	—	—	4/5	1B

NOTES:

1. Indirect normal and indirect autoincrement share the same opcodes, as do short- and long-indexed modes. Because word registers always have even addresses, the address can be expressed in the upper seven bits; the least-significant bit determines the addressing mode. Indirect normal and short-indexed modes make the second byte of the instruction even (LSB = 0). Indirect autoincrement and long-indexed modes make the second byte odd (LSB = 1).
2. For indexed instructions, the first column lists instruction lengths as *S/L*, where *S* is the short-indexed instruction length and *L* is the long-indexed instruction length.
3. For the SCALL and SJMP instructions, the three least-significant bits of the opcode are concatenated with the eight bits to form an 11-bit, 2's complement offset.

Table A-8. Instruction Lengths and Hexadecimal Opcodes (Continued)

Jump								
	Length	Opcode	Length	Opcode	Length	Opcode	Length	Opcode
Mnemonic	Direct		Immediate		Indirect (Note 1)		Indexed (Notes 1, 2)	
	Length	Opcode	Length	Opcode	Length	Opcode	Length S/L	Opcode
BR	—	—	—	—	2	E3	—	—
LJMP	—	—	—	—	—	—	—/3	E7
SJMP (Note 3)	—	—	—	—	—	—	2/—	20–27
TIJMP	4	E2	4	E2	—	—	—/4	E2
Call								
	Length	Opcode	Length	Opcode	Length	Opcode	Length	Opcode
Mnemonic	Direct		Immediate		Indirect (Note 1)		Indexed (Note 1)	
	Length	Opcode	Length	Opcode	Length	Opcode	Length	Opcode
LCALL	—	—	—	—	—	—	3	EF
RET	—	—	—	—	1	F0	—	—
SCALL (Note 3)	—	—	—	—	—	—	2	28–2F
TRAP	1	F7	—	—	—	—	—	—

NOTES:

1. Indirect normal and indirect autoincrement share the same opcodes, as do short- and long-indexed modes. Because word registers always have even addresses, the address can be expressed in the upper seven bits; the least-significant bit determines the addressing mode. Indirect normal and short-indexed modes make the second byte of the instruction even (LSB = 0). Indirect autoincrement and long-indexed modes make the second byte odd (LSB = 1).
2. For indexed instructions, the first column lists instruction lengths as *S/L*, where *S* is the short-indexed instruction length and *L* is the long-indexed instruction length.
3. For the SCALL and SJMP instructions, the three least-significant bits of the opcode are concatenated with the eight bits to form an 11-bit, 2's complement offset.

Table A-8. Instruction Lengths and Hexadecimal Opcodes (Continued)

Conditional Jump								
Mnemonic	Direct		Immediate		Indirect		Indexed (Notes 1, 2)	
	Length	Opcode	Length	Opcode	Length	Opcode	Length S/L	Opcode
DJNZ	—	—	—	—	—	—	3/—	E0
DJNZW	—	—	—	—	—	—	3/—	E1
JBC	—	—	—	—	—	—	3/—	30–37
JBS	—	—	—	—	—	—	3/—	38–3F
JC	—	—	—	—	—	—	2/—	DB
JE	—	—	—	—	—	—	2/—	DF
JGE	—	—	—	—	—	—	2/—	D6
JGT	—	—	—	—	—	—	2/—	D2
JH	—	—	—	—	—	—	2/—	D9
JLE	—	—	—	—	—	—	2/—	DA
JLT	—	—	—	—	—	—	2/—	DE
JNC	—	—	—	—	—	—	2/—	D3
JNE	—	—	—	—	—	—	2/—	D7
JNH	—	—	—	—	—	—	2/—	D1
JNST	—	—	—	—	—	—	2/—	D0
JNV	—	—	—	—	—	—	2/—	D5
JNVT	—	—	—	—	—	—	2/—	D4
JST	—	—	—	—	—	—	2/—	D8
JV	—	—	—	—	—	—	2/—	DD
JVT	—	—	—	—	—	—	2/—	DC

NOTES:

1. Indirect normal and indirect autoincrement share the same opcodes, as do short- and long-indexed modes. Because word registers always have even addresses, the address can be expressed in the upper seven bits; the least-significant bit determines the addressing mode. Indirect normal and short-indexed modes make the second byte of the instruction even (LSB = 0). Indirect autoincrement and long-indexed modes make the second byte odd (LSB = 1).
2. For indexed instructions, the first column lists instruction lengths as *S/L*, where *S* is the short-indexed instruction length and *L* is the long-indexed instruction length.
3. For the SCALL and SJMP instructions, the three least-significant bits of the opcode are concatenated with the eight bits to form an 11-bit, 2's complement offset.

Table A-8. Instruction Lengths and Hexadecimal Opcodes (Continued)

Shift								
Mnemonic	Direct		Immediate		Indirect		Indexed	
	Length	Opcode	Length	Opcode	Length	Opcode	Length	Opcode
NORML	3	0F	—	—	—	—	—	—
SHL	3	09	—	—	—	—	—	—
SHLB	3	19	—	—	—	—	—	—
SHLL	3	0D	—	—	—	—	—	—
SHR	3	08	—	—	—	—	—	—
SHRA	3	0A	—	—	—	—	—	—
SHRAB	3	1A	—	—	—	—	—	—
SHRAL	3	0E	—	—	—	—	—	—
SHRB	3	18	—	—	—	—	—	—
SHRL	3	0C	—	—	—	—	—	—
Special								
Mnemonic	Direct		Immediate		Indirect		Indexed	
	Length	Opcode	Length	Opcode	Length	Opcode	Length	Opcode
CLRC	1	F8	—	—	—	—	—	—
CLRVT	1	FC	—	—	—	—	—	—
DI	1	FA	—	—	—	—	—	—
EI	1	FB	—	—	—	—	—	—
IDLDPD	—	—	1	F6	—	—	—	—
NOP	1	FD	—	—	—	—	—	—
RST	1	FF	—	—	—	—	—	—
SETC	1	F9	—	—	—	—	—	—
SKIP	2	00	—	—	—	—	—	—
PTS								
Mnemonic	Direct		Immediate		Indirect		Indexed	
	Length	Opcode	Length	Opcode	Length	Opcode	Length	Opcode
DPTS	1	EC	—	—	—	—	—	—
EPTS	1	ED	—	—	—	—	—	—

NOTES:

1. Indirect normal and indirect autoincrement share the same opcodes, as do short- and long-indexed modes. Because word registers always have even addresses, the address can be expressed in the upper seven bits; the least-significant bit determines the addressing mode. Indirect normal and short-indexed modes make the second byte of the instruction even (LSB = 0). Indirect autoincrement and long-indexed modes make the second byte odd (LSB = 1).
2. For indexed instructions, the first column lists instruction lengths as *S/L*, where *S* is the short-indexed instruction length and *L* is the long-indexed instruction length.
3. For the SCALL and SJMP instructions, the three least-significant bits of the opcode are concatenated with the eight bits to form an 11-bit, 2's complement offset.

Table A-9 lists instructions alphabetically within groups, along with their execution times, expressed in state times.

Table A-9. Instruction Execution Times (in State Times)

Arithmetic (Group I)										
Mnemonic	Direct	Immed.	Indirect				Indexed			
			Normal		Autoinc.		Short		Long	
			Reg.	Mem.	Reg.	Mem.	Reg.	Mem.	Reg.	Mem.
ADD (2 ops)	4	5	6	8	7	9	6	8	7	9
ADD (3 ops)	5	6	7	10	8	11	7	10	8	11
ADDB (2 ops)	4	4	6	8	7	9	6	8	7	9
ADDB (3 ops)	5	5	7	10	8	11	7	10	8	11
ADDC	4	5	6	8	7	9	6	8	7	9
ADDCB	4	4	6	8	7	9	6	8	7	9
CLR	3	—	—		—		—		—	
CLRB	3	—	—		—		—		—	
CMP	4	5	6	8	7	9	6	8	7	9
CMPB	4	4	6	8	7	9	6	8	7	9
CMPL	7	—	—		—		—		—	
DEC	3	—	—		—		—		—	
DECB	3	—	—		—		—		—	
EXT	4	—	—		—		—		—	
EXTB	4	—	—		—		—		—	
INC	3	—	—		—		—		—	
INCB	3	—	—		—		—		—	
SUB (2 ops)	4	5	6	8	7	9	6	8	7	9
SUB (3 ops)	5	6	7	10	8	11	7	10	8	11
SUBB (2 ops)	4	4	6	8	7	9	6	8	7	9
SUBB (3 ops)	5	5	7	10	8	11	7	10	8	11
SUBC	4	5	6	8	7	9	6	8	7	9
SUBCB	4	4	6	8	7	9	6	8	7	9

NOTE: The column entitled "Reg." lists the instruction execution times for accesses to the register file or peripheral SFRs. The column entitled "Mem." lists the instruction execution times for accesses to all memory-mapped registers, I/O, or memory. See Table 4-1 on page 4-2 for address information.

Table A-9. Instruction Execution Times (in State Times) (Continued)

Arithmetic (Group II)										
Mnemonic	Direct	Immed.	Indirect				Indexed			
			Normal		Autoinc.		Short		Long	
			Reg.	Mem.	Reg.	Mem.	Reg.	Mem.	Reg.	Mem.
DIV	26	27	28	31	29	32	29	32	30	33
DIVB	18	18	20	23	21	24	21	24	22	25
DIVU	24	25	26	29	27	30	27	30	28	31
DIVUB	16	16	18	21	19	22	19	22	20	23
MUL (2 ops)	16	17	18	21	19	22	19	22	20	23
MUL (3 ops)	16	17	18	21	19	22	19	22	20	23
MULB (2 ops)	12	12	14	17	15	18	15	18	16	19
MULB (3 ops)	12	12	14	17	15	18	15	18	16	19
MULU (2 ops)	14	15	16	19	17	19	17	20	18	21
MULU (3 ops)	14	15	16	19	17	19	17	20	18	21
MULUB (2 ops)	10	10	12	15	13	15	12	16	14	17
MULUB (3 ops)	10	10	12	15	13	15	12	16	14	17
Logical										
Mnemonic	Direct	Immed.	Indirect				Indexed			
			Normal		Autoinc.		Short		Long	
			Reg.	Mem.	Reg.	Mem.	Reg.	Mem.	Reg.	Mem.
AND (2 ops)	4	5	6	8	7	9	6	8	7	9
AND (3 ops)	5	6	7	10	8	11	7	10	8	11
ANDB (2 ops)	4	4	6	8	7	9	6	8	7	9
ANDB (3 ops)	5	5	7	10	8	11	7	10	8	11
NEG	3	—	—	—	—	—	—	—	—	—
NEGB	3	—	—	—	—	—	—	—	—	—
NOT	3	—	—	—	—	—	—	—	—	—
NOTB	3	—	—	—	—	—	—	—	—	—
OR	4	5	6	8	7	9	6	8	7	9
ORB	4	4	6	8	7	9	6	8	7	9
XOR	4	5	6	8	7	9	6	8	7	9
XORB	4	4	6	8	7	9	6	8	7	9

NOTE: The column entitled “Reg.” lists the instruction execution times for accesses to the register file or peripheral SFRs. The column entitled “Mem.” lists the instruction execution times for accesses to all memory-mapped registers, I/O, or memory. See Table 4-1 on page 4-2 for address information.

Table A-9. Instruction Execution Times (in State Times) (Continued)

Stack (Register)										
Mnemonic	Direct	Immed.	Indirect				Indexed			
			Normal		Autoinc.		Short		Long	
			Reg.	Mem.	Reg.	Mem.	Reg.	Mem.	Reg.	Mem.
POP	8	—	10	12	11	13	11	13	12	14
POPA	12	—	—	—	—	—	—	—	—	—
POPF	7	—	—	—	—	—	—	—	—	—
PUSH	6	7	9	12	10	13	10	13	11	14
PUSHA	12	—	—	—	—	—	—	—	—	—
PUSHF	6	—	—	—	—	—	—	—	—	—
Stack (Memory)										
Mnemonic	Direct	Immed.	Indirect				Indexed			
			Normal		Autoinc.		Short		Long	
			Reg.	Mem.	Reg.	Mem.	Reg.	Mem.	Reg.	Mem.
POP	11	—	13	15	14	16	14	16	15	17
POPA	18	—	—	—	—	—	—	—	—	—
POPF	10	—	—	—	—	—	—	—	—	—
PUSH	8	9	11	14	12	15	12	15	13	16
PUSHA	18	—	—	—	—	—	—	—	—	—
PUSHF	8	—	—	—	—	—	—	—	—	—

NOTE: The column entitled "Reg." lists the instruction execution times for accesses to the register file or peripheral SFRs. The column entitled "Mem." lists the instruction execution times for accesses to all memory-mapped registers, I/O, or memory. See Table 4-1 on page 4-2 for address information.

Table A-9. Instruction Execution Times (in State Times) (Continued)

Data										
Mnemonic	Indirect									
BMOV	register/register	6 + 8 per word								
	memory/register	6 + 11 per word								
	memory/memory	6 + 14 per word								
BMOVI	register/register	7 + 8 per word + 14 per interrupt								
	memory/register	7 + 11 per word + 14 per interrupt								
	memory/memory	7 + 14 per word + 14 per interrupt								
Mnemonic	Direct	Immed.	Indirect				Indexed			
			Normal		Autoinc.		Short		Long	
			Reg.	Mem.	Reg.	Mem.	Reg.	Mem.	Reg.	Mem.
LD	4	5	5	8	6	8	6	9	7	10
LDB	4	4	5	8	6	8	6	9	7	10
LDBSE	4	4	5	8	6	8	6	9	7	10
LDBZE	4	4	5	8	6	8	6	9	7	10
ST	4	—	5	8	6	9	6	9	7	10
STB	4	—	5	8	6	8	6	9	7	10
XCH	5	—	—	—	—	—	8	13	9	14
XCHB	5	—	—	—	—	—	8	13	9	14
Jump										
Mnemonic	Direct	Immed.	Indirect				Indexed			
			Normal		Autoinc.		Short		Long	
			Reg.	Mem.	Reg.	Mem.	Reg.	Mem.	Reg.	Mem.
BR	—	—	7		7		—		—	
LJMP	—	—	—		—		—		7	
SJMP	—	—	—		—		7		—	
TIJMP	—	—	15		—		—		—	
register/register			18		—		—		—	
memory/register			21		—		—		—	
memory/memory	—		—		—		—		—	
Call (Register)										
Mnemonic	Direct	Immed.	Indirect				Indexed			
			Normal		Autoinc.		Short		Long	
			Reg.	Mem.	Reg.	Mem.	Reg.	Mem.	Reg.	Mem.
LCALL	—	—	—		—		—		11	
RET	—	—	11		—		—		—	
SCALL	—	—	—		—		—		11	
TRAP	16	—	—		—		—		—	

NOTE: The column entitled “Reg.” lists the instruction execution times for accesses to the register file or peripheral SFRs. The column entitled “Mem.” lists the instruction execution times for accesses to all memory-mapped registers, I/O, or memory. See Table 4-1 on page 4-2 for address information.

Table A-9. Instruction Execution Times (in State Times) (Continued)

Call (Memory)						
Mnemonic	Direct	Immed.	Indirect		Indexed	
			Normal	Autoinc.	Short	Long
LCALL	—	—	—	—	—	13
RET	—	—	14	—	—	—
SCALL	—	—	—	—	—	13
TRAP	18	—	—	—	—	—
Conditional Jump						
Mnemonic	Short-Indexed					
DJNZ	5 (jump not taken), 9 (jump taken)					
DJNZW	6 (jump not taken), 10 (jump taken)					
JBC	5 (jump not taken), 9 (jump taken)					
JBS	5 (jump not taken), 9 (jump taken)					
JC	4 (jump not taken), 8 (jump taken)					
JE	4 (jump not taken), 8 (jump taken)					
JGE	4 (jump not taken), 8 (jump taken)					
JGT	4 (jump not taken), 8 (jump taken)					
JH	4 (jump not taken), 8 (jump taken)					
JLE	4 (jump not taken), 8 (jump taken)					
JLT	4 (jump not taken), 8 (jump taken)					
JNC	4 (jump not taken), 8 (jump taken)					
JNE	4 (jump not taken), 8 (jump taken)					
JNH	4 (jump not taken), 8 (jump taken)					
JNST	4 (jump not taken), 8 (jump taken)					
JNV	4 (jump not taken), 8 (jump taken)					
JNVT	4 (jump not taken), 8 (jump taken)					
JST	4 (jump not taken), 8 (jump taken)					
JV	4 (jump not taken), 8 (jump taken)					
JVT	4 (jump not taken), 8 (jump taken)					

NOTE: The column entitled "Reg." lists the instruction execution times for accesses to the register file or peripheral SFRs. The column entitled "Mem." lists the instruction execution times for accesses to all memory-mapped registers, I/O, or memory. See Table 4-1 on page 4-2 for address information.

Table A-9. Instruction Execution Times (in State Times) (Continued)

Shift						
Mnemonic	Direct					
NORML	8 + 1 per shift (9 for 0 shift)					
SHL	6 + 1 per shift (7 for 0 shift)					
SHLB	6 + 1 per shift (7 for 0 shift)					
SHLL	7 + 1 per shift (8 for 0 shift)					
SHR	6 + 1 per shift (7 for 0 shift)					
SHRA	6 + 1 per shift (7 for 0 shift)					
SHRAB	6 + 1 per shift (7 for 0 shift)					
SHRAL	7 + 1 per shift (8 for 0 shift)					
SHRB	6 + 1 per shift (7 for 0 shift)					
SHRL	7 + 1 per shift (8 for 0 shift)					
Special						
Mnemonic	Direct	Immed.	Indirect		Indexed	
			Normal	Autoinc.	Short	Long
CLRC	2	—	—	—	—	—
CLRVT	2	—	—	—	—	—
DI	2	—	—	—	—	—
EI	2	—	—	—	—	—
IDLDP	—	12	—	—	—	—
Valid key	—	28	—	—	—	—
Invalid key	—	—	—	—	—	—
NOP	2	—	—	—	—	—
RST	4	—	—	—	—	—
SETC	2	—	—	—	—	—
SKIP	3	—	—	—	—	—
PTS						
Mnemonic	Direct	Immed.	Indirect		Indexed	
			Normal	Autoinc.	Short	Long
DPTS	2	—	—	—	—	—
EPTS	2	—	—	—	—	—

NOTE: The column entitled "Reg." lists the instruction execution times for accesses to the register file or peripheral SFRs. The column entitled "Mem." lists the instruction execution times for accesses to all memory-mapped registers, I/O, or memory. See Table 4-1 on page 4-2 for address information.



B

Signal Descriptions





APPENDIX B SIGNAL DESCRIPTIONS

This appendix provides reference information for the pin functions of the 8XC196Kx, 8XC196Jx, and 87C196CA.

B.1 SIGNAL NAME CHANGES

The names of some 8XC196Kx and 8XC196Jx signals have been changed for consistency with other MCS[®] 96 microcontrollers. Table B-1 lists the old and new names.

Table B-1. Signal Name Changes

Name in 8XC196Kx User's Manual	New Name
BUSW	BUSWIDTH
INTINTOUT#	INTOUT#

B.2 FUNCTIONAL GROUPINGS OF SIGNALS

Tables B-2, B-3, and B-4 list the signals for the 8XC196Kx, 8XC196Jx, and 87C196CA, respectively, grouped by function. A diagram of each package that is currently available shows the pin location of each signal.

NOTE

As new packages are supported, they will be added to the datasheets first. If your package type is not shown in this appendix, refer to the latest datasheet to find the pin locations.

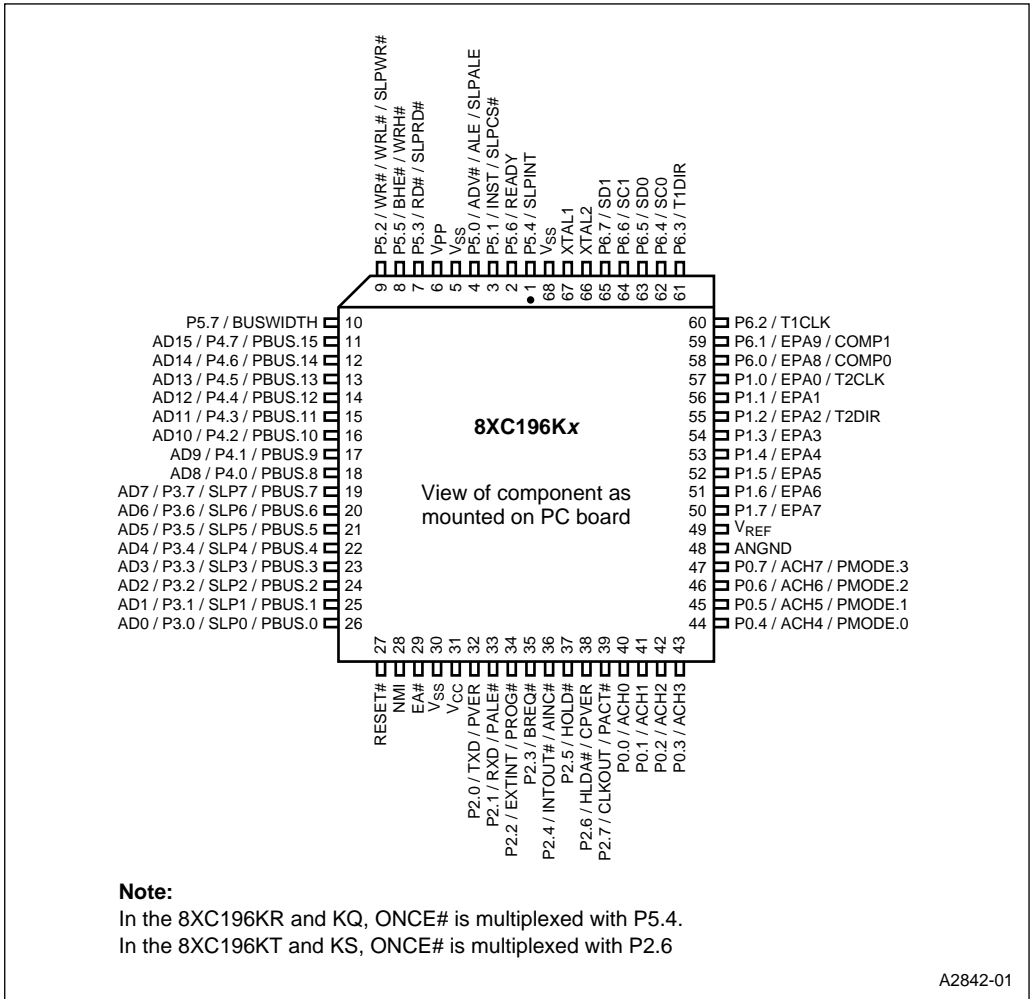
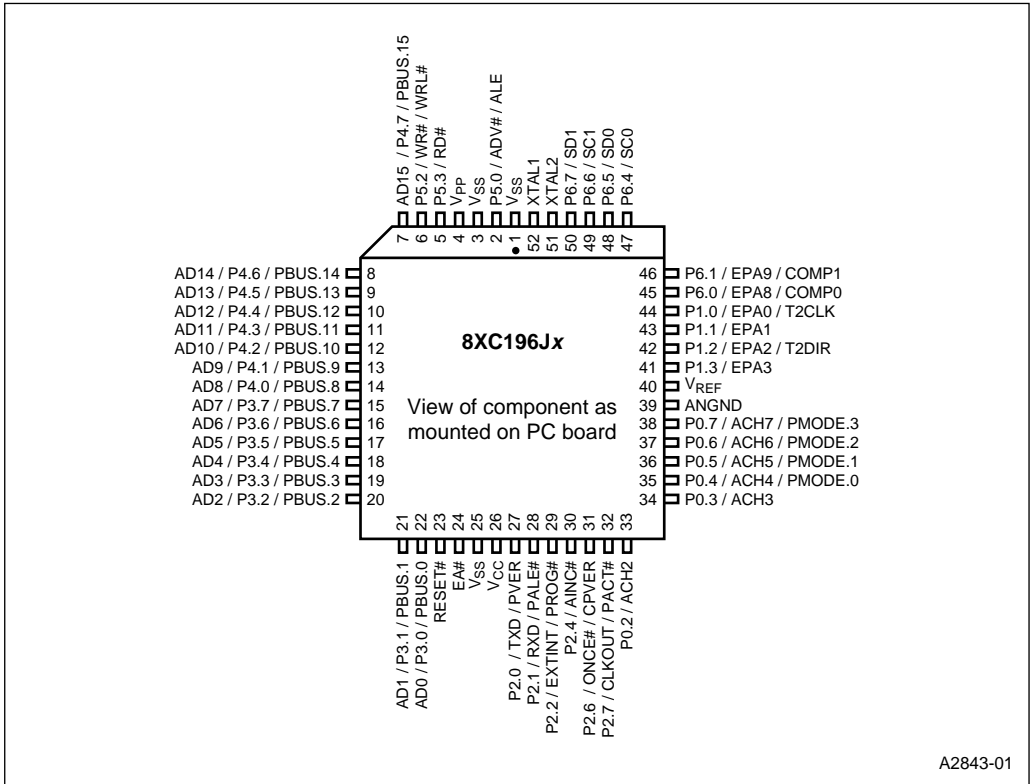
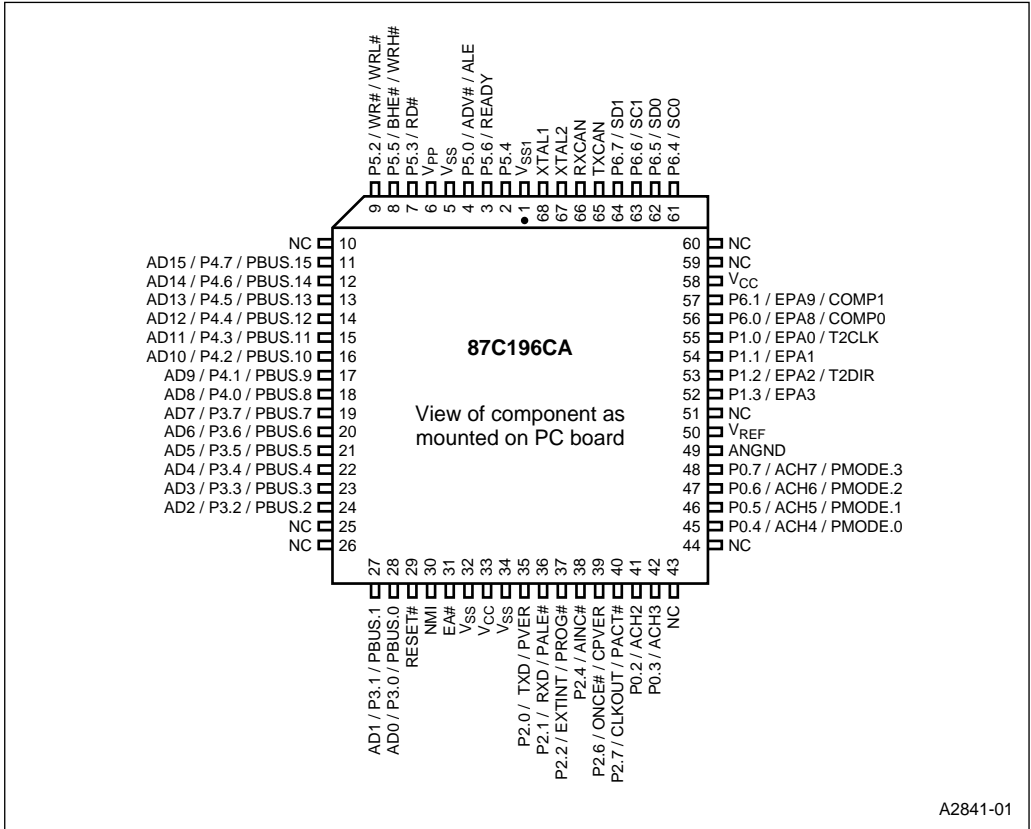


Figure B-1. 8XC196Kx 68-lead PLCC Package



A2843-01

Figure B-2. 8XC196Jx 52-lead PLCC Package



A2841-01

Figure B-3. 87C196CA 68-lead PLCC Package

B.3 SIGNAL DESCRIPTIONS

Table B-5 defines the columns used in Table B-6, which describes the signals.

Table B-5. Description of Columns of Table B-6

Column Heading	Description
Name	Lists the signals, arranged alphabetically. Many pins have two functions, so there are more entries in this column than there are pins. Every signal is listed in this column.
Type	Identifies the pin function listed in the <i>Name</i> column as an input (I), output (O), bidirectional (I/O), power (PWR), or ground (GND). Note that all inputs except RESET# are <i>sampled inputs</i> . RESET# is a level-sensitive input. During powerdown mode, the powerdown circuitry uses EXTINT as a level-sensitive input.
Description	Briefly describes the function of the pin for the specific signal listed in the <i>Name</i> column. Also lists the alternate function that are multiplexed with the signal (if applicable).

Table B-6. Signal Descriptions

Name	Type	Description
ACH7:0 (Kx) ACH7:2 (CA/Jx)	I	<p>Analog Channels</p> <p>These pins are analog inputs to the A/D converter.</p> <p>These pins may individually be used as analog inputs (ACHx) or digital inputs (P0.x). While it is possible for the pins to function simultaneously as analog and digital inputs, this is not recommended because reading port 0 while a conversion is in process can produce unreliable conversion results.</p> <p>The ANGND and V_{REF} pins must be connected for the A/D converter and port 0 to function.</p> <p>NOTE: On the 8XC196Jx and 87C196CA, ACH0 and ACH1 are tied to V_{REF} internally. The result of reading these channels is 3FFH (full-scale).</p> <p>On the 8XC196Kx, ACH7:0 are multiplexed as follows: ACH0/P0.0, ACH1/P0.1, ACH2/P0.2, ACH3/P0.3, ACH4/P0.4/PMODE.0, ACH5/P0.5/PMODE.1, ACH6/P0.6/PMODE.2, and ACH7/P0.7/PMODE.3.</p> <p>On the 8XC196Jx and 87C196CA, ACH7:2 are multiplexed as follows: ACH2/P0.2, ACH3/P0.3, ACH4/P0.4/PMODE.0, ACH5/P0.5/PMODE.1, ACH6/P0.6/PMODE.2, and ACH7/P0.7/PMODE.3.</p> <p>ACH1:0 are not implemented on the 8XC196Jx and 87C196CA.</p>

†This signal is not implemented on the 8XC196Jx or 87C196CA (see “Design Considerations for 8XC196JQ, JR, JT, and JV Devices” on page 2-14 or “Design Considerations for 87C196CA Devices” on page 2-13).

††This signal is not implemented on the 8XC196Jx (see “Design Considerations for 8XC196JQ, JR, JT, and JV Devices” on page 2-14).

Table B-6. Signal Descriptions (Continued)

Name	Type	Description
AD15:0	I/O	<p>Address/Data Lines</p> <p>These pins provide a multiplexed address and data bus. During the address phase of the bus cycle, address bits 0–15 are presented on the bus and can be latched using ALE or ADV#. During the data phase, 8- or 16-bit data is transferred.</p> <p>AD7:0 are multiplexed with SLP7:0^{††}, P3.7:0 and PBUS.7:0. AD15:8 are multiplexed with P4.7:0 and PBUS.15:8.</p>
ADV#	O	<p>Address Valid</p> <p>This active-low output signal is asserted only during external memory accesses. ADV# indicates that valid address information is available on the system address/data bus. The signal remains low while a valid bus cycle is in progress and is returned high as soon as the bus cycle completes.</p> <p>An external latch can use this signal to demultiplex the address from the address/data bus. A decoder can also use this signal to generate chip selects for external memory.</p> <p>On the 8XC196Kx, ADV# is multiplexed with P5.0, SLPALe, and ALE.</p> <p>On the 8XC196Jx and 87C196CA, ADV# is multiplexed with P5.0 and ALE.</p>
AINC#	I	<p>Auto Increment</p> <p>During slave programming, this active-low input enables the auto-increment feature. (Auto increment allows reading or writing of sequential OTPROM locations, without requiring address transactions across the PBUS for each read or write.) AINC# is sampled after each location is programmed or dumped. If AINC# is asserted, the address is incremented and the next data word is programmed or dumped.</p> <p>On the 8XC196Kx, AINC# is multiplexed with P2.4 and INTOUT#.</p> <p>On the 8XC196Jx and 87C196CA, AINC# is multiplexed with P2.4.</p>
ALE	O	<p>Address Latch Enable</p> <p>This active-high output signal is asserted only during external memory cycles. ALE signals the start of an external bus cycle and indicates that valid address information is available on the system address/data bus. ALE differs from ADV# in that it does not remain active during the entire bus cycle.</p> <p>An external latch can use this signal to demultiplex the address from the address/data bus.</p> <p>On the 8XC196Kx, ALE is multiplexed with P5.0, SLPALe, and ADV#.</p> <p>On the 8XC196Jx and 87C196CA, ALE is multiplexed with P5.0 and ADV#.</p>
ANGND	GND	<p>Analog Ground</p> <p>ANGND must be connected for A/D converter and port 0 operation. ANGND and V_{SS} should be nominally at the same potential.</p>

[†]This signal is not implemented on the 8XC196Jx or 87C196CA (see “Design Considerations for 8XC196JQ, JR, JT, and JV Devices” on page 2-14 or “Design Considerations for 87C196CA Devices” on page 2-13).

^{††}This signal is not implemented on the 8XC196Jx (see “Design Considerations for 8XC196JQ, JR, JT, and JV Devices” on page 2-14).

Table B-6. Signal Descriptions (Continued)

Name	Type	Description																				
BHE# ^{††}	O	<p>Byte High Enable</p> <p>The chip configuration register 0 (CCR0) determines whether this pin functions as BHE# or WRH#. CCR0.2=1 selects BHE#; CCR0.2=0 selects WRH#.</p> <p>During 16-bit bus cycles, this active-low output signal is asserted for word reads and writes and high-byte reads and writes to external memory. BHE# indicates that valid data is being transferred over the upper half of the system data bus. Use BHE#, in conjunction with AD0, to determine which memory byte is being transferred over the system bus:</p> <table border="1"> <thead> <tr> <th>BHE#</th> <th>AD0</th> <th>Byte(s) Accessed</th> </tr> </thead> <tbody> <tr> <td>0</td> <td>0</td> <td>both bytes</td> </tr> <tr> <td>0</td> <td>1</td> <td>high byte only</td> </tr> <tr> <td>1</td> <td>0</td> <td>low byte only</td> </tr> </tbody> </table> <p>BHE# is multiplexed with P5.5 and WRH#.</p>	BHE#	AD0	Byte(s) Accessed	0	0	both bytes	0	1	high byte only	1	0	low byte only								
BHE#	AD0	Byte(s) Accessed																				
0	0	both bytes																				
0	1	high byte only																				
1	0	low byte only																				
BREQ# [†]	O	<p>Bus Request</p> <p>This active-low output signal is asserted during a hold cycle when the bus controller has a pending external memory cycle.</p> <p>The device can assert BREQ# at the same time as or after it asserts HLDA#. Once it is asserted, BREQ# remains asserted until HOLD# is removed.</p> <p>You must enable the bus-hold protocol before using this signal (see "Enabling the Bus-hold Protocol (8XC196Kx Only)" on page 15-18).</p> <p>BREQ# is multiplexed with P2.3.</p>																				
BUSWIDTH [†]	I	<p>Bus Width</p> <p>The chip configuration register bits, CCR0.1 and CCR1.2, along with the BUSWIDTH pin, control the data bus width. When both CCR bits are set, the BUSWIDTH signal selects the external data bus width. When only one CCR bit is set, the bus width is fixed at either 16 or 8 bits, and the BUSWIDTH signal has no effect.</p> <table border="1"> <thead> <tr> <th>CCR0.1</th> <th>CCR1.2</th> <th>BUSWIDTH</th> <th></th> </tr> </thead> <tbody> <tr> <td>0</td> <td>1</td> <td>N/A</td> <td>fixed 8-bit data bus</td> </tr> <tr> <td>1</td> <td>0</td> <td>N/A</td> <td>fixed 16-bit data bus</td> </tr> <tr> <td>1</td> <td>1</td> <td>high</td> <td>16-bit data bus</td> </tr> <tr> <td>1</td> <td>1</td> <td>low</td> <td>8-bit data bus</td> </tr> </tbody> </table> <p>BUSWIDTH is multiplexed with P5.7.</p>	CCR0.1	CCR1.2	BUSWIDTH		0	1	N/A	fixed 8-bit data bus	1	0	N/A	fixed 16-bit data bus	1	1	high	16-bit data bus	1	1	low	8-bit data bus
CCR0.1	CCR1.2	BUSWIDTH																				
0	1	N/A	fixed 8-bit data bus																			
1	0	N/A	fixed 16-bit data bus																			
1	1	high	16-bit data bus																			
1	1	low	8-bit data bus																			
CLKOUT	O	<p>Clock Output</p> <p>Output of the internal clock generator. The CLKOUT frequency is ½ the oscillator input frequency (XTAL1). CLKOUT has a 50% duty cycle.</p> <p>CLKOUT is multiplexed with P2.7 and PACT#.</p>																				
COMP1:0	O	<p>Event Processor Array (EPA) Compare Pins</p> <p>These signals are the output of the EPA compare-only channels. These pins are multiplexed with other signals and may be configured as standard I/O.</p> <p>COMP1:0 are multiplexed as follows: COMP0/P6.0/EPA8 and COMP1/P6.1/EPA9.</p>																				

[†]This signal is not implemented on the 8XC196Jx or 87C196CA (see "Design Considerations for 8XC196JQ, JR, JT, and JV Devices" on page 2-14 or "Design Considerations for 87C196CA Devices" on page 2-13).

^{††}This signal is not implemented on the 8XC196Jx (see "Design Considerations for 8XC196JQ, JR, JT, and JV Devices" on page 2-14).

Table B-6. Signal Descriptions (Continued)

Name	Type	Description
CPVER	O	<p>Cumulative Program Verification</p> <p>During slave programming, a high signal indicates that all locations programmed correctly, while a low signal indicates that an error occurred during one of the programming operations.</p> <p>On the 8XC196Kx, CPVER is multiplexed with P2.6 and HLDA#.</p> <p>On the 8XC196Jx and 87C196CA, CPVER is multiplexed with P2.6 and ONCE#.</p>
EA#	I	<p>External Access</p> <p>EA# is sampled and latched only on the rising edge of RESET#. Changing the level of EA# after reset has no effect. Accesses to special-purpose and program memory partitions are directed to internal memory if EA# is held high and to external memory if EA# is held low. (See Table 4-1 on page 4-2 for address ranges of special-purpose and program memory partitions.)</p> <p>EA# also controls program mode entry. If EA# is at V_{pp} voltage (typically +12.5 V) on the rising edge of RESET#, the device enters programming mode.</p> <p>NOTE: When EA# is active, ports 3 and 4 will function only as the address/data bus. They cannot be used for standard I/O.</p> <p>On devices with no internal nonvolatile memory, always connect EA# to V_{SS}.</p>
EPA9:0 (Kx) EPA9:8, EPA3:0 (Jx, CA)	I/O	<p>Event Processor Array (EPA) Input/Output pins</p> <p>These are the high-speed input/output pins for the EPA capture/compare channels. For high-speed PWM applications, the outputs of two EPA channels (either EPA0 and EPA1 or EPA2 and EPA3) can be remapped to produce a PWM waveform on a shared output pin (see “Generating a High-speed PWM Output” on page 10-16).</p> <p>EPA9:0 are multiplexed as follows: EPA0/P1.0/T2CLK, EPA1/P1.1, EPA2/P1.2/T2DIR, EPA3/P1.3, EPA4/P1.4, EPA5/P1.5, EPA6/P1.6, EPA7/P1.7, EPA8/P6.0/COMP0, and EPA9/P6.1/COMP1.</p> <p>EPA7:4 are not implemented on the 8XC196Jx or 87C196CA.</p>

†This signal is not implemented on the 8XC196Jx or 87C196CA (see “Design Considerations for 8XC196JQ, JR, JT, and JV Devices” on page 2-14 or “Design Considerations for 87C196CA Devices” on page 2-13).

††This signal is not implemented on the 8XC196Jx (see “Design Considerations for 8XC196JQ, JR, JT, and JV Devices” on page 2-14).

Table B-6. Signal Descriptions (Continued)

Name	Type	Description
EXTINT	I	<p>External Interrupt</p> <p>In normal operating mode, a rising edge on EXTINT sets the EXTINT interrupt pending flag. EXTINT is sampled during phase 2 (CLKOUT high). The minimum high time is one state time.</p> <p>If the chip is in idle mode and if EXTINT is enabled, a rising edge on EXTINT brings the chip back to normal operation, where the first action is to execute the EXTINT service routine. After completion of the service routine, execution resumes at the the IDLPD instruction following the one that put the device into idle mode.</p> <p>In powerdown mode, asserting EXTINT causes the chip to return to normal operating mode. If EXTINT is enabled, the EXTINT service routine is executed. Otherwise, execution continues at the instruction following the IDLPD instruction that put the device into powerdown mode.</p> <p>EXTINT is multiplexed with P2.2 and PROG#.</p>
HLDA# [†]	O	<p>Bus Hold Acknowledge</p> <p>This active-low output indicates that the CPU has released the bus as the result of an external device asserting HOLD#.</p> <p>HLDA# is multiplexed with P2.6 and CPVER.</p>
HOLD# [†]	I	<p>Bus Hold Request</p> <p>An external device uses this active-low input signal to request control of the bus. This pin functions as HOLD# only if the pin is configured for its special function (see "Bidirectional Port Pin Configurations" on page 6-10) and the bus-hold protocol is enabled. Setting bit 7 of the window selection register enables the bus-hold protocol.</p> <p>HOLD# is multiplexed with P2.5.</p>
INST [†]	O	<p>Instruction Fetch</p> <p>This active-high output signal is valid only during external memory bus cycles. When high, INST indicates that an instruction is being fetched from external memory. The signal remains high during the entire bus cycle of an external instruction fetch. INST is low for data accesses, including interrupt vector fetches and chip configuration byte reads. INST is low during internal memory fetches.</p> <p>INST is multiplexed with P5.1 and SLPCS#.</p>
INTOUT# ^{††}	O	<p>Interrupt Output</p> <p>This active-low output indicates that a pending interrupt requires use of the external bus. If the 8XC196Kx receives an interrupt request while it is in hold, the 8XC196Kx asserts INTOUT# only if it is executing from internal memory. If the 8XC196Kx needs to access external memory, it asserts BREQ# and waits until the external device deasserts HOLD# to assert INTOUT#. If the 8XC196Kx receives an interrupt request as it is going into hold (between the time that an external device asserts HOLD# and the time that the 8XC196Kx responds with HLDA#), the 8XC196Kx asserts INTOUT# and keeps it asserted until the external device deasserts HOLD#.</p> <p>INTOUT is multiplexed with P2.4 and AINC#.</p>

[†]This signal is not implemented on the 8XC196Jx or 87C196CA (see "Design Considerations for 8XC196JQ, JR, JT, and JV Devices" on page 2-14 or "Design Considerations for 87C196CA Devices" on page 2-13).

^{††}This signal is not implemented on the 8XC196Jx (see "Design Considerations for 8XC196JQ, JR, JT, and JV Devices" on page 2-14).

Table B-6. Signal Descriptions (Continued)

Name	Type	Description
NMI ^{††}	I	<p>Nonmaskable Interrupt</p> <p>In normal operating mode, a rising edge on NMI causes a vector through the NMI interrupt at location 203EH. NMI must be asserted for greater than one state time to guarantee that it is recognized.</p> <p>In idle mode, a rising edge on the NMI pin causes the device to return to normal operation, where the first action is to execute the NMI service routine. After completion of the service routine, execution resumes at the instruction following the IDLPD instruction that put the device into idle mode.</p> <p>In powerdown mode, a rising edge on the NMI pin does not cause the device to exit powerdown.</p>
ONCE#	I	<p>On-circuit Emulation</p> <p>Holding ONCE# low during the rising edge of RESET# places the device into on-circuit emulation (ONCE) mode. This mode puts all pins into a high-impedance state, thereby isolating the device from other components in the system. The value of ONCE# is latched when the RESET# pin goes inactive. While the device is in ONCE mode, you can debug the system using a clip-on emulator. To exit ONCE mode, reset the device by pulling the RESET# signal low. To prevent inadvertent entry into ONCE mode, either configure this pin as an output or hold it high during reset and ensure that your system meets the V_{IH} specification (see datasheet).</p> <p>On the 8XC196KR and KQ, ONCE# is multiplexed with P5.4 and SLPINT.</p> <p>On the 8XC196KT and KS, ONCE# is multiplexed with P2.6 and H LDA#.</p> <p>On the 8XC196Jx and CA, ONCE# is multiplexed with P2.6.</p>
P0.7:0 (Kx) P0.7:2 (Jx, CA)	I	<p>Port 0</p> <p>This is a high-impedance, input-only port. Port 0 pins should not be left floating. These pins may individually be used as analog inputs (ACHx) or digital inputs (P0.x). While it is possible for the pins to function simultaneously as analog and digital inputs, this is not recommended because reading port 0 while a conversion is in process can produce unreliable conversion results.</p> <p>ANGND and V_{REF} must be connected for port 0 to function.</p> <p>On the 8XC196Kx, P0.3:0 are multiplexed with ACH3:0 and P0.7:4 are multiplexed with ACH7:4 and PMODE.3:0.</p> <p>On the 8XC196Jx and 87C196CA, P0.3:2 are multiplexed with ACH3:2 and P0.7:4 are multiplexed with ACH7:4 and PMODE.3:0.</p> <p>P0.1:0 are not implemented on the 8XC196Jx and 87C196CA.</p>
P1.7:0 (Kx) P1.3:0 (Jx, CA)	I/O	<p>Port 1</p> <p>This is a standard, bidirectional port that is multiplexed with individually selectable special-function signals.</p> <p>Port 1 is multiplexed as follows: P1.0/EPA0/T2CLK, P1.1/EPA1, P1.2/EPA2/T2DIR, P1.3/EPA3, P1.4/EPA4, P1.5/EPA5, P1.6/EPA6, and P1.7/EPA7.</p> <p>P1.7:4 are not implemented on the 8XC196Jx and 87C196CA.</p>

[†]This signal is not implemented on the 8XC196Jx or 87C196CA (see “Design Considerations for 8XC196JQ, JR, JT, and JV Devices” on page 2-14 or “Design Considerations for 87C196CA Devices” on page 2-13).

^{††}This signal is not implemented on the 8XC196Jx (see “Design Considerations for 8XC196JQ, JR, JT, and JV Devices” on page 2-14).

Table B-6. Signal Descriptions (Continued)

Name	Type	Description
P2.7:0 (Kx) P2.7:6, P2.4, P2.2:0 (Jx, CA)	I/O	<p>Port 2</p> <p>This is a standard bidirectional port that is multiplexed with individually selectable special-function signals.</p> <p>P2.6 is multiplexed with the ONCE# function (CA, JR, JT, JV, KS, KT) or a special test-mode-entry function (KR, KQ). If this pin is held low during reset, the device will enter ONCE mode or a reserved test mode, so exercise caution if you use this pin for input. If you choose to configure this pin as an input, always hold it high during reset and ensure that your system meets the V_{IH} specification (see datasheet) to prevent inadvertent entry into ONCE mode or a test mode.</p> <p>On the 8XC196Kx, port 2 is multiplexed as follows: P2.0/TXD/PVER, P2.1/RXD/PALE#, P2.2/EXTINT/PROG#, P2.3/BREQ#, P2.4/INTOUT#/AINC#, P2.5/HOLD#, P2.6/HLDA#/ONCE#(KT, KS)/CPVER, P2.7/CLKOUT/PACT#.</p> <p>On the 8XC196Jx and 87C196CA, port 2 is multiplexed as follows: P2.0/TXD/PVER, P2.1/RXD/PALE#, P2.2/EXTINT/PROG#, P2.4/AINC#, P2.6/ONCE#/CPVER, P2.7/CLKOUT/PACT#. P2.3 and P2.5 are not implemented.</p>
P3.7:0	I/O	<p>Port 3</p> <p>This is an 8-bit, bidirectional, memory-mapped I/O port with open-drain outputs. The pins are shared with the multiplexed address/data bus, which has complementary drivers.</p> <p>P3.7:0 are multiplexed with AD7:0, SLP7:0 (Kx only), and PBUS.7:0.</p>
P4.7:0	I/O	<p>Port 4</p> <p>This is an 8-bit, bidirectional, memory-mapped I/O port with open-drain outputs. P4.7:0 are multiplexed with AD15:8 and PBUS15:8.</p>
P5.7:0	I/O	<p>Port 5</p> <p>This is an 8-bit, bidirectional, memory-mapped I/O port.</p> <p>P5.4 is multiplexed with the ONCE# function (KR, KQ) or a special test-mode-entry function (CA, KS, KT). If this pin is held low during reset, the device will enter ONCE mode or a reserved test mode, so exercise caution if you use this pin for input. If you choose to configure this pin as an input, always hold it high during reset and ensure that your system meets the V_{IH} specification (see datasheet) to prevent inadvertent entry into ONCE mode or a test mode.</p> <p>On the 8XC196Kx, port 5 is multiplexed as follows: P5.0/ALE/ADV#/SLPALE, P5.1/INST/SLPCS#, P5.2/WR#/WRL#/SLPWR#, P5.3/RD#/SLPRD#, P5.4/ONCE# (KR, KQ)/SLPINT, P5.5/BHE#/WRH#, P5.6/READY, and P5.7/BUSWIDTH.</p> <p>On the 8XC196Jx, port 5 is multiplexed as follows: P5.0/ADV#/ALE, P5.2/WR#/WRL#, and P5.3/RD#. P5.1 and P5.7:4 are not implemented.</p> <p>On the 87C196CA, port 5 is multiplexed as follows: P5.0/ADV#/ALE, P5.2/WR#/WRL#, P5.3/RD#, P5.5/BHE#/WRH#, and P5.6/READY. P5.4 is not multiplexed; P5.1 and P5.7 are not implemented.</p>

† This signal is not implemented on the 8XC196Jx or 87C196CA (see “Design Considerations for 8XC196JQ, JR, JT, and JV Devices” on page 2-14 or “Design Considerations for 87C196CA Devices” on page 2-13).

†† This signal is not implemented on the 8XC196Jx (see “Design Considerations for 8XC196JQ, JR, JT, and JV Devices” on page 2-14).

Table B-6. Signal Descriptions (Continued)

Name	Type	Description
P6.7:0	I/O	Port 6 This is a standard 8-bit bidirectional port. Port 6 is multiplexed as follows: P6.0/EPA8/COMP0, P6.1/EPA9/COMP1, P6.2/T1CLK, P6.3/T1DIR, P6.4/SC0, P6.5/SD0, P6.6/SC1, and P6.7/SD1. P6.2 and P6.3 are not implemented on the 8XC196Jx and 87C196CA.
PACT#	O	Programming Active During auto programming or ROM-dump, a low signal indicates that programming or dumping is in progress, while a high signal indicates that the operation is complete. PACT# is multiplexed with P2.7 and CLKOUT.
PALE#	I	Programming ALE During slave programming, a falling edge causes the device to read a command and address from the PBUS. PALE# is multiplexed with P2.1 and RXD.
PBUS.15:0	I/O	Address/Command/Data Bus During slave programming, ports 3 and 4 serve as a bidirectional port with open-drain outputs to pass commands, addresses, and data to or from the device. Slave programming requires external pull-up resistors. During auto programming and ROM-dump, ports 3 and 4 serve as a regular system bus to access external memory. P4.6 and P4.7 are left unconnected; P1.1 and P1.2 serve as the upper address lines. Slave programming: PBUS.7:0 are multiplexed with AD7:0, SLP7:0 (Kx only), and P3.7:0. PBUS.15:8 are multiplexed with AD15:8 and P4.7:0. Auto programming: PBUS.7:0 are multiplexed with AD7:0, SLP7:0 (Kx only), and P3.7:0. PBUS.13:8 are multiplexed with AD13:8 and P4.5:0; PBUS15:14 are multiplexed with P1.2:1.
PMODE.3:0	I	Programming Mode Select Determines the programming mode. PMODE is sampled after a device reset and must be static while the part is operating. (Table 16-7 on page 16-14 lists the PMODE values and programming modes.) PMODE.3:0 are multiplexed with P0.7:4 and ACH7:4.
PROG#	I	Programming Start During programming, a falling edge latches data on the PBUS and begins programming, while a rising edge ends programming. The current location is programmed with the same data as long as PROG# remains asserted, so the data on the PBUS must remain stable while PROG# is active. During a word dump, a falling edge causes the contents of an OTPROM location to be output on the PBUS, while a rising edge ends the data transfer. PROG# is multiplexed with P2.2 and EXTINT.

†This signal is not implemented on the 8XC196Jx or 87C196CA (see “Design Considerations for 8XC196JQ, JR, JT, and JV Devices” on page 2-14 or “Design Considerations for 87C196CA Devices” on page 2-13).

††This signal is not implemented on the 8XC196Jx (see “Design Considerations for 8XC196JQ, JR, JT, and JV Devices” on page 2-14).

Table B-6. Signal Descriptions (Continued)

Name	Type	Description
PVER	O	Program Verification During slave or auto programming, PVER is updated after each programming pulse. A high output signal indicates successful programming of a location, while a low signal indicates a detected error. PVER is multiplexed with P2.0 and TXD.
RD#	O	Read Read-signal output to external memory. RD# is asserted only during external memory reads. RD# is multiplexed with P5.3 and SLPRD#.
READY	I	Ready Input This active-high input signal is used to lengthen external memory cycles for slow memory by generating wait states in addition to the wait states that are generated internally. When READY is high, CPU operation continues in a normal manner with wait states inserted as programmed in the chip configuration registers. READY is ignored for all internal memory accesses. READY is multiplexed with P5.6.
RESET#	I/O	Reset A level-sensitive reset input to and open-drain system reset output from the microcontroller. Either a falling edge on RESET# or an internal reset turns on a pull-down transistor connected to the RESET# pin for 16 state times. In the powerdown and idle modes, asserting RESET# causes the chip to reset and return to normal operating mode. The microcontroller resets to 2080H.
RXCAN (CA only)	I	Receive This signal carries messages from other nodes on the CAN bus to the integrated CAN controller.
RXD	I/O	Receive Serial Data In modes 1, 2, and 3, RXD receives serial port input data. In mode 0, it functions as either an input or an open-drain output for data. RXD is multiplexed with P2.1 and PALE#.
SC1:0	I/O	Clock Pins for SSIO0 and 1 For handshaking mode, configure SC1:0 as open-drain outputs. This pin carries a signal only during receptions and transmissions. When the SSIO port is idle, the pin remains either high (with handshaking) or low (without handshaking). SC0 is multiplexed with P6.4. SC1 is multiplexed with P6.6.
SD1:0	I/O	Data Pins for SSIO0 and 1 SD0 is multiplexed with P6.5. SD1 is multiplexed with P6.7.

†This signal is not implemented on the 8XC196Jx or 87C196CA (see “Design Considerations for 8XC196JQ, JR, JT, and JV Devices” on page 2-14 or “Design Considerations for 87C196CA Devices” on page 2-13).

††This signal is not implemented on the 8XC196Jx (see “Design Considerations for 8XC196JQ, JR, JT, and JV Devices” on page 2-14).

Table B-6. Signal Descriptions (Continued)

Name	Type	Description
SLP7:0 [†]	I/O	Slave Port Address/Data bus Slave port address/data bus in multiplexed mode and slave port data bus in demultiplexed mode. In multiplexed mode, SLP1 is the source of the internal control signal, SLP_ADDR. SLP7:0 are multiplexed with AD7:0, P3.7:0, and PBUS.7:0.
SLPALE [†]	I	Slave Port Address Latch Enable Functions as either a latch enable input to latch the value on SLP1 (with a multiplexed address/data bus) or as the source of the internal control signal, SLP_ADDR (with a demultiplexed address/data bus). SLPALE is multiplexed with P5.0, ADV#, and ALE.
SLPCS# [†]	I	Slave Port Chip Select SLPCS# must be held low to enable slave port operation. SLPCS# is multiplexed with P5.1 and INST.
SLPINT [†]	O	Slave Port Interrupt This active-high slave port output signal can be used to interrupt the master processor. SLPINT is multiplexed with P5.4 and the ONCE# function (KR, KQ) or a special test-mode-entry pin (KS, KT). See P5.7:0 for special considerations.
SLPRD# [†]	I	Slave Port Read Control Input This active-low signal is an input to the slave. Data from the P3_REG or SLP_STAT register is valid after the falling edge of SLPRD#. SLPRD# is multiplexed with P5.3 and RD#.
SLPWR# [†]	I	Slave Port Write Control Input This active-low signal is an input to the slave. The rising edge of SLPWR# latches data on port 3 into the P3_PIN or SLP_CMD register. SLPWR# is multiplexed with P5.2, WR#, and WRL#.
T1CLK [†]	I	Timer 1 External Clock External clock for timer 1. Timer 1 increments (or decrements) on both rising and falling edges of T1CLK. Also used in conjunction with T1DIR for quadrature counting mode. and External clock for the serial I/O baud-rate generator input (program selectable). T1CLK is multiplexed with P6.2.
T2CLK	I	Timer 2 External Clock External clock for timer 2. Timer 2 increments (or decrements) on both rising and falling edges of T2CLK. Also used in conjunction with T2DIR for quadrature counting mode. T2CLK is multiplexed with P1.0 and EPA0.

[†]This signal is not implemented on the 8XC196Jx or 87C196CA (see “Design Considerations for 8XC196JQ, JR, JT, and JV Devices” on page 2-14 or “Design Considerations for 87C196CA Devices” on page 2-13).

^{††}This signal is not implemented on the 8XC196Jx (see “Design Considerations for 8XC196JQ, JR, JT, and JV Devices” on page 2-14).

Table B-6. Signal Descriptions (Continued)

Name	Type	Description
T1DIR [†]	I	Timer 1 External Direction External direction (up/down) for timer 1. Timer 1 increments when T1DIR is high and decrements when it is low. Also used in conjunction with T1CLK for quadrature counting mode. T1DIR is multiplexed with P6.3.
T2DIR	I	Timer 2 External Direction External direction (up/down) for timer 2. Timer 2 increments when T2DIR is high and decrements when it is low. Also used in conjunction with T2CLK for quadrature counting mode. T2DIR is multiplexed with P1.2 and EPA2.
TXCAN (CA only)	O	Transmit This signal carries messages from the integrated CAN controller to other nodes on the CAN bus.
TXD	O	Transmit Serial Data In serial I/O modes 1, 2, and 3, TXD transmits serial port output data. In mode 0, it is the serial clock output. TXD is multiplexed with P2.0 and PVER.
V _{CC}	PWR	Digital Supply Voltage Connect each V _{CC} pin to the digital supply voltage.
V _{PP}	PWR	Programming Voltage During programming, the V _{PP} pin is typically at +12.5 V (V _{PP} voltage). Exceeding the maximum V _{PP} voltage specification can damage the device. V _{PP} also causes the device to exit powerdown mode when it is driven low for at least 50 ns. Use this method to exit powerdown only when using an external clock source because it enables the internal phase clocks, but not the internal oscillator. See "Driving the Vpp Pin Low" on page 14-5. On devices with no internal nonvolatile memory, connect V _{PP} to V _{CC} .
V _{REF}	PWR	Reference Voltage for the A/D Converter This pin also supplies operating voltage to both the analog portion of the A/D converter and the logic used to read Port 0.
V _{SS}	GND	Digital Circuit Ground Connect each V _{SS} pin to ground through the lowest possible impedance path.
WR#	O	Write The chip configuration register 0 (CCR0) determines whether this pin functions as WR# or WRL#. CCR0.2=1 selects WR#; CCR0.2=0 selects WRL#. This active-low output indicates that an external write is occurring. This signal is asserted only during external memory writes. WR# is multiplexed with P5.2, SLPWR#, and WRL#.

[†]This signal is not implemented on the 8XC196Jx or 87C196CA (see "Design Considerations for 8XC196JQ, JR, JT, and JV Devices" on page 2-14 or "Design Considerations for 87C196CA Devices" on page 2-13).

^{††}This signal is not implemented on the 8XC196Jx (see "Design Considerations for 8XC196JQ, JR, JT, and JV Devices" on page 2-14).

Table B-6. Signal Descriptions (Continued)

Name	Type	Description
WRH# [†]	O	<p>Write High</p> <p>The chip configuration register 0 (CCR0) determines whether this pin functions as BHE# or WRH#. CCR0.2=1 selects BHE#; CCR0.2=0 selects WRH#.</p> <p>During 16-bit bus cycles, this active-low output signal is asserted for high-byte writes and word writes to external memory. During 8-bit bus cycles, WRH# is asserted for all write operations.</p> <p>WRH# is multiplexed with P5.5 and BHE#.</p>
WRL#	O	<p>Write Low</p> <p>The chip configuration register 0 (CCR0) determines whether this pin functions as WR# or WRL#. CCR0.2=1 selects WR#; CCR0.2=0 selects WRL#.</p> <p>During 16-bit bus cycles, this active-low output signal is asserted for low-byte writes and word writes. During 8-bit bus cycles, WRL# is asserted for all write operations.</p> <p>WRL# is multiplexed with P5.2, SLPWR#, and WR#.</p>
XTAL1	I	<p>Input Crystal/Resonator or External Clock Input</p> <p>Input to the on-chip oscillator and the internal clock generators. The internal clock generators provide the peripheral clocks, CPU clock, and CLKOUT signal. When using an external clock source instead of the on-chip oscillator, connect the clock input to XTAL1. The external clock signal must meet the V_{IH} specification for XTAL1 (see datasheet).</p>
XTAL2	O	<p>Inverted Output for the Crystal/Resonator</p> <p>Output of the on-chip oscillator inverter. Leave XTAL2 floating when the design uses an external clock source instead of the on-chip oscillator.</p>

[†]This signal is not implemented on the 8XC196Jx or 87C196CA (see “Design Considerations for 8XC196JQ, JR, JT, and JV Devices” on page 2-14 or “Design Considerations for 87C196CA Devices” on page 2-13).

^{††}This signal is not implemented on the 8XC196Jx (see “Design Considerations for 8XC196JQ, JR, JT, and JV Devices” on page 2-14).

B.4 DEFAULT CONDITIONS

Table B-8 lists the default functions of the I/O and control pins of the 8XC196Kx with their values during various operating conditions. Tables B-9 and B-10 list the same information for the 8XC196Jx and 87C196CA, respectively. Table B-7 defines the symbols used to represent the pin status. Refer to the DC Characteristics table in the datasheet for actual specifications for V_{OL} , V_{IL} , V_{OH} , and V_{IH} .

Table B-7. Definition of Status Symbols

Symbol	Definition	Symbol	Definition
0	Voltage less than or equal to V_{OL} , V_{IL}	MD0	Medium pull-down
1	Voltage greater than or equal to V_{OH} , V_{IH}	MD1	Medium pull-up
HiZ	High impedance	WK0	Weak pull-down
LoZ0	Low impedance; strongly driven low	WK1	Weak pull-up
LoZ1	Low impedance; strongly driven high	ODIO	Open-drain I/O

Table B-8. 8XC196Kx Pin Status

Pins	Multiplexed With	During RESET# Active	Upon RESET# Inactive (Note 9)	Idle	Power-down
P0.7:0	ACH7:0	HiZ	HiZ	HiZ	HiZ
P1.0	EPA0/T2CLK	WK1	WK1	(Note 3)	(Note 3)
P1.1	EPA1	WK1	WK1	(Note 3)	(Note 3)
P1.2	EPA2/T2DIR	WK1	WK1	(Note 3)	(Note 3)
P1.7:3	EPA7:3	WK1	WK1	(Note 3)	(Note 3)
P2.0	TXD	WK1	WK1	(Note 3)	(Note 3)
P2.1	RXD	WK1	WK1	(Note 3)	(Note 3)
P2.2	EXTINT	WK1	WK1	(Note 3)	(Note 3)
P2.3	BREQ#	WK1	WK1	(Note 3)	(Note 3)
P2.4	INTOUT#	WK1	WK1	(Note 3)	(Note 3)
P2.5	HOLD#	WK1	WK1	(Note 3)	(Note 3)
P2.6	HLDA# & ONCE# (KT, KS)	MD1	MD1	(Note 3)	(Note 3)
P2.7	CLKOUT	CLKOUT active, LoZ0/1 (Note 7)	CLKOUT active, LoZ0/1	(Note 3)	(Note 4)
P3.7:0	AD7:0	WK1	HiZ	(Note 6)	(Note 6)
P4.7:0	AD15:8	WK1	HiZ	(Note 6)	(Note 6)
P5.0	ALE/ADV#/SLPALE	WK1	WK1	(Note 1)	(Note 1)
P5.1	INST/SLPCS#	WK0	WK0	(Note 1)	(Note 1)
P5.2	WR#/WRL# /SLPWR#	WK1	WK1	(Note 3)	(Note 3)
P5.3	RD#/SLPRD#	WK1	WK1	(Note 3)	(Note 3)
P5.4	SLPINT & ONCE# (KR, KQ)	MD1	MD1	(Note 3)	(Note 3)
P5.5	BHE#/WRH#	WK1	WK1	(Note 1)	(Note 1)
P5.6	READY	WK1	WK1	(Note 2)	(Note 2)
P5.7	BUSWIDTH	WK1	WK1	(Note 2)	(Note 2)
P6.0	EPA8/COMP0	WK1	WK1	(Note 3)	(Note 3)
P6.1	EPA9/COMP1	WK1	WK1	(Note 3)	(Note 3)
P6.2	T1CLK	WK1	WK1	(Note 3)	(Note 3)
P6.3	T1DIR	WK1	WK1	(Note 3)	(Note 3)
P6.4	SC0	WK1	WK1	(Note 3)	(Note 3)
P6.5	SD0	WK1	WK1	(Note 3)	(Note 3)
P6.6	SC1	WK1	WK1	(Note 3)	(Note 3)
P6.7	SD1	WK1	WK1	(Note 3)	(Note 3)
EA#	—	WK1 (Note 8)	WK1	WK1	WK1
NMI	—	WK0 (Note 8)	WK0	WK0	WK0
RESET#	—	LoZ0	MD1	MD1	MD1
V _{PP}	—	HiZ	HiZ	LoZ1	LoZ1

Table B-8. 8XC196Kx Pin Status (Continued)

Pins	Multiplexed With	During RESET# Active	Upon RESET# Inactive (Note 9)	Idle	Power-down
XTAL1	—	Osc input, HiZ	Osc input, HiZ	Osc input, HiZ	Osc input, HiZ
XTAL2	—	Osc output, LoZ0/1	Osc output, LoZ0/1	Osc output, LoZ0/1	(Note 5)

NOTES:

1. If P5_MODE.x = 0, port is as programmed.
If P5_MODE.x = 1 and HLDA# = 1, P5.0 and P5.1 are LoZ0; P5.5 is LoZ1.
If P5_MODE.x = 1 and HLDA# = 0, port is HiZ.
2. If P5_MODE.x = 0, port is as programmed. If P5_MODE.x = 1, port is HiZ.
3. If Px_MODE.x = 0, port is as programmed.
If Px_MODE.x = 1, pin is as specified by Px_DIR and the associated peripheral.
4. If P2_MODE.7 = 0, pin is as programmed. If P2_MODE.7 = 1, pin is LoZ0.
5. If XTAL1 = 0, pin is LoZ1. If XTAL1 = 1, pin is LoZ0.
6. If EA# = 0, port is HiZ. If EA# = 1, port is open-drain I/O.
7. On the 8XC196KS and KT, CLKOUT is HiZ during RESET# active.
8. Although these signals are weakly pulled high or low, do not allow them to float. Always tie these signals to their inactive state (V_{CC} or V_{SS}) if they are not connected to an external device.
9. The values in this column are valid until user code configures the specific signal (i.e., until Px_MODE is written).

Table B-9. 8XC196Jx Pin Status

Pins	Multiplexed With	During RESET# Active	Upon RESET# Inactive (Note 8)	Idle	Power-down
P0.7:2	ACH7:2	HiZ	HiZ	HiZ	HiZ
P1.0	EPA0/T2CLK	WK1	WK1	(Note 3)	(Note 3)
P1.1	EPA1	WK1	WK1	(Note 3)	(Note 3)
P1.2	EPA2/T2DIR	WK1	WK1	(Note 3)	(Note 3)
P1.3	EPA3	WK1	WK1	(Note 3)	(Note 3)
P2.0	TXD	WK1	WK1	(Note 3)	(Note 3)
P2.1	RXD	WK1	WK1	(Note 3)	(Note 3)
P2.2	EXTINT	WK1	WK1	(Note 3)	(Note 3)
P2.4	—	WK1	WK1	(Note 3)	(Note 3)
P2.6	ONCE#	MD1	MD1	(Note 3)	(Note 3)
P2.7	CLKOUT	CLKOUT active, LoZ0/1 (Note 9)	CLKOUT active, LoZ0/1	(Note 3)	(Note 4)
P3.7:0	AD7:0	WK1	HiZ	(Note 6)	(Note 6)
P4.7:0	AD15:8	WK1	HiZ	(Note 6)	(Note 6)
P5.0	ALE/ADV#	WK1	WK1	(Note 1)	(Note 1)
P5.2	WR#/WRL#	WK1	WK1	(Note 3)	(Note 3)
P5.3	RD#	WK1	WK1	(Note 3)	(Note 3)
P6.0	EPA8/COMP0	WK1	WK1	(Note 3)	(Note 3)
P6.1	EPA9/COMP1	WK1	WK1	(Note 3)	(Note 3)

Table B-9. 8XC196Jx Pin Status (Continued)

Pins	Multiplexed With	During RESET# Active	Upon RESET# Inactive (Note 8)	Idle	Power-down
P6.4	SC0	WK1	WK1	(Note 3)	(Note 3)
P6.5	SD0	WK1	WK1	(Note 3)	(Note 3)
P6.6	SC1	WK1	WK1	(Note 3)	(Note 3)
P6.7	SD1	WK1	WK1	(Note 3)	(Note 3)
EA#	—	WK1 (Note 7)	WK1	WK1	WK1
RESET#	—	LoZ0	MD1	MD1	MD1
V _{PP}	—	HiZ	HiZ	LoZ1	LoZ1
XTAL1	—	Osc input, HiZ	Osc input, HiZ	Osc input, HiZ	Osc input, HiZ
XTAL2	—	Osc output, LoZ0/1	Osc output, LoZ0/1	Osc output, LoZ0/1	(Note 5)

NOTES:

1. If P5_MODE.x = 0, port is as programmed.
If P5_MODE.x = 1 and HLDA# = 1, P5.0 and P5.1 are LoZ0; P5.5 is LoZ1.
If P5_MODE.x = 1 and HLDA# = 0, port is HiZ.
2. If P5_MODE.x = 0, port is as programmed. If P5_MODE.x = 1, port is HiZ.
3. If P_x_MODE.x = 0, port is as programmed.
If P_x_MODE.x = 1, pin is as specified by P_x_DIR and the associated peripheral.
4. If P2_MODE.7 = 0, pin is as programmed. If P2_MODE.7 = 1, pin is LoZ0.
5. If XTAL1 = 0, pin is LoZ1. If XTAL1 = 1, pin is LoZ0.
6. If EA# = 0, port is HiZ. If EA# = 1, port is open-drain I/O.
7. Although EA# is weakly pulled high, do not allow it to float. Always tie EA# to V_{CC} if it is not connected to an external device.
8. The values in this column are valid until user code configures the specific signal (i.e., until P_x_MODE is written).
9. On the 8XC196JT, CLKOUT is HiZ during RESET# active.

Table B-10. 87C196CA Pin Status

Pins	Multiplexed With	During RESET# Active	Upon RESET# Inactive (Note 9)	Idle	Power-down
P0.7:2	ACH7:2	HiZ	HiZ	HiZ	HiZ
P1.0	EPA0/T2CLK	WK1	WK1	(Note 3)	(Note 3)
P1.1	EPA1	WK1	WK1	(Note 3)	(Note 3)
P1.2	EPA2/T2DIR	WK1	WK1	(Note 3)	(Note 3)
P1.3	EPA3	WK1	WK1	(Note 3)	(Note 3)
P2.0	TXD	WK1	WK1	(Note 3)	(Note 3)
P2.1	RXD	WK1	WK1	(Note 3)	(Note 3)
P2.2	EXTINT	WK1	WK1	(Note 3)	(Note 3)
P2.4	—	WK1	WK1	(Note 3)	(Note 3)
P2.6	ONCE#	MD1	MD1	(Note 3)	(Note 3)
P2.7	CLKOUT	CLKOUT active, LoZ0/1	CLKOUT active, LoZ0/1	(Note 3)	(Note 4)
P3.7:0	AD7:0	WK1	HiZ	(Note 6)	(Note 6)

Table B-10. 87C196CA Pin Status (Continued)

Pins	Multiplexed With	During RESET# Active	Upon RESET# Inactive (Note 9)	Idle	Power-down
P4.7:0	AD15:8	WK1	HiZ	(Note 6)	(Note 6)
P5.0	ALE/ADV#	WK1	WK1	(Note 1)	(Note 1)
P5.2	WR#/WRL#	WK1	WK1	(Note 3)	(Note 3)
P5.3	RD#	WK1	WK1	(Note 3)	(Note 3)
P5.4	—	MD1	MD1	(Note 3)	(Note 3)
P5.5	BHE#/WRH#	WK1	WK1	(Note 1)	(Note 1)
P5.6	READY	WK1	WK1	(Note 2)	(Note 2)
P6.0	EPA8/COMP0	WK1	WK1	(Note 3)	(Note 3)
P6.1	EPA9/COMP1	WK1	WK1	(Note 3)	(Note 3)
P6.4	SC0	WK1	WK1	(Note 3)	(Note 3)
P6.5	SD0	WK1	WK1	(Note 3)	(Note 3)
P6.6	SC1	WK1	WK1	(Note 3)	(Note 3)
P6.7	SD1	WK1	WK1	(Note 3)	(Note 3)
EA#	—	WK1 (Note 8)	WK1	WK1	WK1
NMI	—	WK0 (Note 8)	WK0	WK0	WK0
RESET#	—	LoZ0	MD1	MD1	MD1
RXCAN	—	WK1	WK1	WK1	WK1
TXCAN	—	LoZ1	LoZ1	LoZ1 (Note 7)	LoZ1
V _{PP}	—	HiZ	HiZ	LoZ1	LoZ1
XTAL1	—	Osc input, HiZ	Osc input, HiZ	Osc input, HiZ	Osc input, HiZ
XTAL2	—	Osc output, LoZ0/1	Osc output, LoZ0/1	Osc output, LoZ0/1	(Note 5)

NOTES:

- If P5_MODE.x = 0, port is as programmed.
If P5_MODE.x = 1 and HLDA# = 1, P5.0 and P5.1 are LoZ0; P5.5 is LoZ1.
If P5_MODE.x = 1 and HLDA# = 0, port is HiZ.
- If P5_MODE.x = 0, port is as programmed. If P5_MODE.x = 1, port is HiZ.
- If Px_MODE.x = 0, port is as programmed.
If Px_MODE.x = 1, pin is as specified by Px_DIR and the associated peripheral.
- If P2_MODE.7 = 0, pin is as programmed. If P2_MODE.7 = 1, pin is LoZ0.
- If XTAL1 = 0, pin is LoZ1. If XTAL1 = 1, pin is LoZ0.
- If EA# = 0, port is HiZ. If EA# = 1, port is open-drain I/O.
- If CAN_MSGxCON1.5:4 = 01, TXCAN is LoZ1.
If CAN_MSGxCON1.5:4 = 10, TXCAN is transmitting information.
- Although these signals are weakly pulled high or low, do not allow them to float. Always tie these signals to their inactive state (V_{CC} or V_{SS}) if they are not connected to an external device.
- The values in this column are valid until user code configures the specific signal (i.e., until Px_MODE is written).

intel[®]

C

Registers



APPENDIX C REGISTERS

This appendix provides reference information about the device registers. Table C-1 lists the modules and major components of the device with their related configuration and status registers. Table C-2 lists the registers, arranged alphabetically by mnemonic, along with their names, addresses, and reset values. Following the tables, individual descriptions of the registers are arranged alphabetically by mnemonic.

Table C-1. Modules and Related Registers

A/D Converter	CAN (87C196CA, x = 0–15)	Chip Configuration	CPU
AD_COMMAND AD_RESULT AD_TEST AD_TIME	CAN_BTIME0–1 CAN_CON CAN_EGMSK CAN_INT CAN_MSGxCFG CAN_MSGxCON0–1 CAN_MSGx_DATA0–7 CAN_MSGx_ID0–3 CAN_MSG15 CAN_SGMSK CAN_STAT	CCR0 CCR1 PPW (or SP_PPW) USFR	ONES_REG PSW SP ZERO_REG
EPA	I/O Ports	Interrupts and PTS	Memory Control
COMP _x _CON (x = 0–1) COMP _x _TIME (x = 0–1) EPA_MASK EPA_MASK1 EPA_PEND EPA_PEND1 EPAIPV EPA _x _CON (Kx, x = 0–9) EPA _x _CON (CA, Jx, x = 0–3, 8, 9) EPA _x _TIME (Kx, x = 0–9) EPA _x _TIME (CA, Jx, x = 0–3, 8, 9)	P _x _DIR (x = 1, 2, 5, 6) P _x _MODE (x = 1, 2, 5, 6) P _x _PIN (x = 0–6) P _x _REG (x = 1–6) P34_DRV	INT_MASK INT_MASK1 INT_PEND INT_PEND1 PTSSEL PTSSRV	WSR

Table C-1. Modules and Related Registers (Continued)

Serial Port	Slave Port (8XC196Kx)	Synch. Serial Port (x = 0–1)	Timers (x = 1–2)
SBUF_RX	SLP_CMD	SSIO_BAUD	TIMERx
SBUF_TX	SLP_CON	SSIOx_BUF	TxCONTROL
SP_BAUD	SLP_STAT	SSIOx_CON	WATCHDOG
SP_CON			
SP_STATUS			

Table C-2. Register Name, Address, and Reset Status

Register Mnemonic	Register Name	Hex Address	Binary Reset Value	
			High	Low
AD_COMMAND	A/D Command	1FACH	1100	0000
AD_RESULT	A/D Result	1FAAH	0111 1111	1000 0000
AD_TEST	A/D Test	1FAEH	1100	0000
AD_TIME	A/D Time	1FAFH	1111	1111
CAN_BTIME0 (CA)	CAN Bit Timing 0	1E3FH	Unchanged ^{††}	
CAN_BTIME1 (CA)	CAN Bit Timing 1	1E4FH	Unchanged ^{††}	
CAN_CON (CA)	CAN Control	1E00H	0000	0001
CAN_EGMSK (CA)	CAN Extended Global Mask	1E08H 1E09H 1E0AH 1E0BH	Unchanged ^{††}	
CAN_INT (CA)	CAN Interrupt Pending	1E5FH	0000	0000
CAN_MSGxCFG (CA) [†]	CAN Message Object x Config	1Ey6H	Unchanged ^{††}	
CAN_MSGxCON0 (CA) [†]	CAN Message Object x Control 0	1Ey0H	Unchanged ^{††}	
CAN_MSGxCON1 (CA) [†]	CAN Message Object x Control 1	1Ey1H	Unchanged ^{††}	
CAN_MSGxDATA0 (CA) [†]	CAN Message Object Data 0	1Ey7H	Unchanged ^{††}	
CAN_MSGxDATA1 (CA) [†]	CAN Message Object Data 1	1Ey8H	Unchanged ^{††}	
CAN_MSGxDATA2 (CA) [†]	CAN Message Object Data 2	1Ey9H	Unchanged ^{††}	
CAN_MSGxDATA3 (CA) [†]	CAN Message Object Data 3	1EyAH	Unchanged ^{††}	
CAN_MSGxDATA4 (CA) [†]	CAN Message Object Data 4	1EyBH	Unchanged ^{††}	
CAN_MSGxDATA5 (CA) [†]	CAN Message Object Data 5	1EyCH	Unchanged ^{††}	
CAN_MSGxDATA6 (CA) [†]	CAN Message Object Data 6	1EyDH	Unchanged ^{††}	
CAN_MSGxDATA7 (CA) [†]	CAN Message Object Data 7	1EyEH	Unchanged ^{††}	
CAN_MSGxD0 (CA) [†]	CAN Message Object Ident 0	1Ey2H	Unchanged ^{††}	

[†] x = 1–15; y = 1–F

^{††} After reset, this register contains the value that was written to it before reset.

Table C-2. Register Name, Address, and Reset Status (Continued)

Register Mnemonic	Register Name	Hex Address	Binary Reset Value			
			High		Low	
CAN_MSGxID1 (CA) [†]	CAN Message Object Ident 1	1Ey3H	Unchanged ^{††}			
CAN_MSGxID2 (CA) [†]	CAN Message Object Ident 2	1Ey4H	Unchanged ^{††}			
CAN_MSGxID3 (CA) [†]	CAN Message Object Ident 3	1Ey5H	Unchanged ^{††}			
CAN_MSK15 (CA)	CAN Message 15 Mask	1E0CH 1E0DH 1E0EH 1E0FH	Unchanged ^{††}			
CAN_SGMSK (CA)	CAN Standard Global Mask	1E06H	Unchanged ^{††}			
CAN_STAT (CA)	CAN Status	1E01H	XXXX XXXX			
CCR0	Chip Configuration 0	2018H	XXXX XXXX			
CCR1	Chip Configuration 1	201AH	XXXX XXXX			
COMP0_CON	EPA Compare 0 Control	1F88H	0000 0000			
COMP0_TIME	EPA Compare 0 Time	1F8AH	XXXX XXXX	XXXX XXXX		
COMP1_CON	EPA Compare 1 Control	1F8CH	0000 0000			
COMP1_TIME	EPA Compare 1 Time	1F8EH	XXXX XXXX	XXXX XXXX		
EPA_MASK	EPA Mask	1FA0H	0000 0000	0000 0000		
EPA_MASK1	EPA Mask 1	1FA4H	0000 0000			
EPA_PEND	EPA Pending	1FA2H	0000 0000	0000 0000		
EPA_PEND1	EPA Pending 1	1FA6H	0000 0000			
EPA0_CON	EPA Capture/Comp 0 Control	1F60H	0000 0000			
EPA0_TIME	EPA Capture/Comp 0 Time	1F62H	XXXX XXXX	XXXX XXXX		
EPA1_CON	EPA Capture/Comp 1 Control	1F64H	1111 1110	0000 0000		
EPA1_TIME	EPA Capture/Comp 1 Time	1F66H	XXXX XXXX	XXXX XXXX		
EPA2_CON	EPA Capture/Comp 2 Control	1F68H	0000 0000			
EPA2_TIME	EPA Capture/Comp 2 Time	1F6AH	XXXX XXXX	XXXX XXXX		
EPA3_CON	EPA Capture/Comp 3 Control	1F6CH	1111 1110	0000 0000		
EPA3_TIME	EPA Capture/Comp 3 Time	1F6EH	XXXX XXXX	XXXX XXXX		
EPA4_CON (Kx)	EPA Capture/Comp 4 Control	1F70H	0000 0000			
EPA4_TIME (Kx)	EPA Capture/Comp 4 Time	1F72H	XXXX XXXX	XXXX XXXX		
EPA5_CON (Kx)	EPA Capture/Comp 5 Control	1F74H	0000 0000			
EPA5_TIME (Kx)	EPA Capture/Comp 5 Time	1F76H	XXXX XXXX	XXXX XXXX		
EPA6_CON (Kx)	EPA Capture/Comp 6 Control	1F78H	0000 0000			
EPA6_TIME (Kx)	EPA Capture/Comp 6 Time	1F7AH	XXXX XXXX	XXXX XXXX		

[†] x = 1–15; y = 1–F

^{††} After reset, this register contains the value that was written to it before reset.

Table C-2. Register Name, Address, and Reset Status (Continued)

Register Mnemonic	Register Name	Hex Address	Binary Reset Value			
			High		Low	
EPA7_CON (Kx)	EPA Capture/Comp 7 Control	1F7CH			0000	0000
EPA7_TIME (Kx)	EPA Capture/Comp 7 Time	1F7EH	XXXX	XXXX	XXXX	XXXX
EPA8_CON	EPA Capture/Comp 8 Control	1F80H			0000	0000
EPA8_TIME	EPA Capture/Comp 8 Time	1F82H	XXXX	XXXX	XXXX	XXXX
EPA9_CON	EPA Capture/Comp 9 Control	1F84H			0000	0000
EPA9_TIME	EPA Capture/Comp 9 Time	1F86H	XXXX	XXXX	XXXX	XXXX
EPAIPV	EPA Interrupt Priority Vector	1FA8H			0000	0000
INT_MASK	Interrupt Mask	0008H			0000	0000
INT_MASK1	Interrupt Mask 1	0013H			0000	0000
INT_PEND	Interrupt Pending	0009H			0000	0000
INT_PEND1	Interrupt Pending 1	0012H			0000	0000
ONES_REG	Ones Register	0002H	1111	1111	1111	1111
P0_PIN	Port 0 Pin Input	1FDAH			XXXX	XXXX
P1_DIR	Port 1 I/O Direction	1FD2H			1111	1111
P1_MODE	Port 1 Mode	1FD0H			0000	0000
P1_PIN	Port 1 Pin Input	1FD6H			XXXX	XXXX
P1_REG	Port 1 Data Output	1FD4H			1111	1111
P2_DIR	Port 2 I/O Direction	1FCBH			0111	1111
P2_MODE	Port 2 Mode	1FC9H			1000	0000
P2_PIN	Port 2 Pin Input	1FCFH			1XXX	XXXX
P2_REG	Port 2 Data Output	1FCDH			0111	1111
P3_PIN	Port 3 Pin Input	1FFEH			XXXX	XXXX
P3_REG	Port 3 Data Output	1FFCH			1111	1111
P34_DRV	Port 3/4 Push-pull Enable	1FF4H			0000	0000
P4_PIN	Port 4 Pin Input	1FFFH			XXXX	XXXX
P4_REG	Port 4 Data Output	1FFDH			1111	1111
P5_DIR	Port 5 I/O Direction	1FF3H			1111	1111
P5_MODE	Port 5 Mode	1FF1H			1000	0000
P5_PIN	Port 5 Pin Input	1FF7H			1XXX	XXXX
P5_REG	Port 5 Data Output	1FF5H			1111	1111
P6_DIR	Port 6 I/O Direction	1FD3H			1111	1111
P6_MODE	Port 6 Mode	1FD1H			0000	0000

† x = 1–15; y = 1–F

†† After reset, this register contains the value that was written to it before reset.

Table C-2. Register Name, Address, and Reset Status (Continued)

Register Mnemonic	Register Name	Hex Address	Binary Reset Value			
			High		Low	
P6_PIN	Port 6 Pin Input	1FD7H	XXXX XXXX			
P6_REG	Port 6 Data Output	1FD5H	1111 1111			
PPW (or SP_PPW)	Programming Pulse Width					
PSW	Program Status Word					
PTSSEL	PTS Select	0004H	0000	0000	0000	0000
PTSSRV	PTS Service	0006H	0000	0000	0000	0000
SBUF_RX	Serial Port Receive Buffer	1FB8H	0000 0000			
SBUF_TX	Serial Port Transmit Buffer	1FBAH	0000 0000			
SLP_CMD (Kx)	Slave Port Command	1FFAH	0000 0000			
SLP_CON (Kx)	Slave Port Control	1FFBH	0000 0000			
SLP_STAT (Kx)	Slave Port Status	1FF8H	0000 0000			
SP	Stack Pointer	0018H	XXXX	XXXX	XXXX	XXXX
SP_BAUD	Serial Port Baud Rate	1FBCH	0000	0000	0000	0000
SP_CON	Serial Port Control	1FBBH	0000 0000			
SP_STATUS	Serial Port Status	1FB9H	0000 1011			
SSIO_BAUD	Syn Serial Port Baud Rate	1FB4H	0XXX XXXX			
SSIO0_BUF	Syn Serial Port 0 Buffer	1FB0H	0000 0000			
SSIO0_CON	Syn Serial Port 0 Control	1FB1H	0000 0000			
SSIO1_BUF	Syn Serial Port 1 Buffer	1FB2H	0000 0000			
SSIO1_CON	Syn Serial Port 1 Control	1FB3H	0000 0000			
T1CONTROL	Timer 1 Control	1F98H	0000 0000			
T2CONTROL	Timer 2 Control	1F9CH	0000 0000			
TIMER1	Timer 1 Value	1F9AH	0000	0000	0000	0000
TIMER2	Timer 2 Value	1F9EH	0000	0000	0000	0000
USFR	UPROM Special Function Reg	1FF6H	XXXX XXXX			
WATCHDOG	Watchdog Timer	000AH	0000 0000			
WSR	Window Selection	0014H	0000 0000			
ZERO_REG	Zero Register	0000H	0000	0000	0000	0000

† x = 1–15; y = 1–F

†† After reset, this register contains the value that was written to it before reset.

AD_COMMAND

AD_COMMAND

Address: 1FACH
Reset State: C0H

The A/D command (AD_COMMAND) register selects the A/D channel number to be converted, controls whether the A/D converter starts immediately or with an EPA command, and selects the conversion mode.

7

0

—	—	M1	M0	GO	ACH2	ACH1	ACH0
---	---	----	----	----	------	------	------

Bit Number	Bit Mnemonic	Function
7:6	—	Reserved; for compatibility with future devices, write zeros to these bits.
5:4	M1:0	A/D Mode (Note 1) These bits determine the A/D mode. M1 M0 Mode 0 0 10-bit conversion 0 1 8-bit conversion 1 0 threshold detect high 1 1 threshold detect low
3	GO	A/D Conversion Trigger (Note 2) Writing this bit arms the A/D converter. The value that you write to it determines at what point a conversion is to start. 1 = start immediately 0 = EPA initiates conversion
2:0	ACH2:0	A/D Channel Selection Write the A/D conversion channel number to these bits. The 87C196CA, 8XC196Jx devices have six A/D channels, numbered 2–7. The 8XC196Kx devices have eight channels, numbered 0–7.

NOTES:

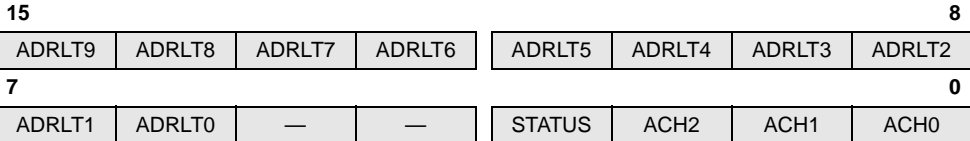
- While a threshold-detection mode is selected for an analog input pin, no other conversion can be started. If another value is loaded into AD_COMMAND, the threshold-detection mode is disabled and the new command is executed.
- It is the act of writing to the GO bit, rather than its value, that starts a conversion. Even if the GO bit has the desired value, you must set it again to start a conversion immediately or clear it again to arm it for an EPA-initiated conversion.

AD_RESULT (Read)

AD_RESULT (Read)

Address: 1FAAH
Reset State: 7F80H

The A/D result (AD_RESULT) register consists of two bytes. The high byte contains the eight most-significant bits from the A/D converter. The low byte contains the two least-significant bits from a ten-bit A/D conversion, indicates the A/D channel number that was used for the conversion, and indicates whether a conversion is currently in progress.



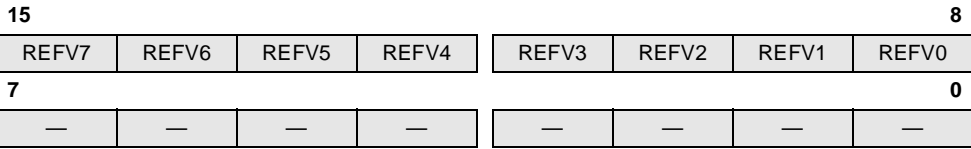
Bit Number	Bit Mnemonic	Function
15:6	ADRLT9:0	A/D Result These bits contain the A/D conversion result.
5:4	—	Reserved. These bits are undefined.
3	STATUS	A/D Status Indicates the status of the A/D converter. Up to 8 state times are required to set this bit following a start command. When testing this bit, wait at least the 8 state times. 1 = A/D conversion is in progress 0 = A/D is idle
2:0	ACH2:0	A/D Channel Number These bits indicate the A/D channel number that was used for the conversion. The 87C196CA, 8XC196Jx devices have six channel inputs. These channels are numbered 2–7. The 8XC196Kx devices have eight channels, numbered 0–7.

AD_RESULT (Write)

AD_RESULT (Write)

Address: 1FAAH
Reset State: 7F80H

The high byte of the A/D result (AD_RESULT) register can be written to set the reference voltage for the A/D threshold-detection modes.



Bit Number	Bit Mnemonic	Function
15:8	REFV7:0	<p>Reference Voltage</p> <p>These bits specify the threshold value. This selects a reference voltage which is compared with an analog input pin. When the voltage on the analog input pin crosses over (detect high) or under (detect low) the threshold value, the A/D conversion complete interrupt flag is set.</p> <p>Use the following formula to determine the value to write this register for a given threshold voltage.</p> $\text{reference voltage} = \frac{\text{desired threshold voltage} \times 256}{V_{\text{REF}} - \text{ANGND}}$
7:0	—	Reserved; for compatibility with future devices, write zeros to these bits.

AD_TEST

AD_TEST

Address: 1FAEH
Reset State: C0H

The A/D test (AD_TEST) register enables conversions on ANGND and V_{REF} and specifies adjustments for DC offset errors. Its functions allow you to perform two conversions, one on ANGND and one on V_{REF} . With these results, a software routine can calculate the offset and gain errors.

7

0

—	—	—	—	OFF1	OFF0	TV	TE
---	---	---	---	------	------	----	----

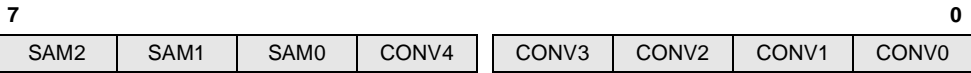
Bit Number	Bit Mnemonic	Function
7:4	—	Reserved; for compatibility with future devices, write zeros to these bits.
3:2	OFF1:0	Offset These bits allows you to set the zero offset point. OFF1 OFF0 0 0 no adjustment 0 1 add 2.5 mV 1 0 subtract 2.5 mV 1 1 subtract 5.0 mV
1	TV	Test Voltage This bit selects the test voltage for a test mode conversion. 1 = V_{REF} 0 = ANGND
0	TE	Test Enable This bit determines whether normal or test mode conversions will be performed. A normal conversion converts the analog signal input on one of the analog input channels. A test conversion allows you to perform a conversion on ANGND or V_{REF} . 1 = test 0 = normal

AD_TIME

AD_TIME

Address: 1FAFH
Reset State: FFH

The A/D time (AD_TIME) register programs the sample window time and the conversion time for each bit.



Bit Number	Bit Mnemonic	Function
7:5	SAM2:0	<p>A/D Sample Time</p> <p>These bits specify the sample time. Use the following formula to compute the sample time.</p> $SAM = \frac{T_{SAM} \times F_{OSC} - 2}{8}$ <p>where:</p> <p>SAM = 1 to 7</p> <p>T_{SAM} = the sample time, in μsec, from the data sheet</p> <p>F_{OSC} = the XTAL1 frequency, in MHz</p>
4:0	CONV4:0	<p>A/D Convert Time</p> <p>These bits specify the conversion time. Use the following formula to compute the conversion time.</p> $CONV = \left[\frac{T_{CONV} \times F_{OSC} - 3}{2 \times B} \right] - 1$ <p>where:</p> <p>CONV = 2 to 31</p> <p>T_{CONV} = the conversion time, in μsec, from the data sheet</p> <p>F_{OSC} = the XTAL1 frequency, in MHz</p> <p>B = the number of bits to be converted (8 or 10)</p>

NOTES:

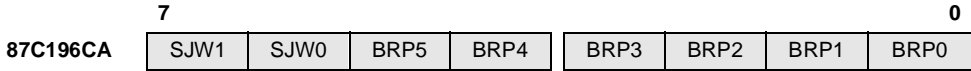
1. The register programs the speed at which the A/D can run — not the speed at which it can convert correctly. Consult the data sheet for recommended values.
2. Initialize the AD_TIME register before initializing the AD_COMMAND register.
3. Do not write to this register while a conversion is in progress; the results are unpredictable.

CAN_BTIME0

CAN_BTIME0
(87C196CA)

Address: 1E3FH
Reset State: Unchanged

Program the CAN bit timing 0 (CAN_BTIME0) register to define the length of one time quantum and the maximum number of time quanta by which a bit time can be modified for resynchronization.



Bit Number	Bit Mnemonic	Function
7:6	SJW1:0	<p>Synchronization Jump Width</p> <p>This field defines the maximum number of time quanta by which a resynchronization can modify t_{TSEG1} and t_{TSEG2}. Valid programmed values are 0–3. The hardware adds 1 to the programmed value, so a “1” value causes the CAN peripheral to add or subtract 2 time quanta, for example. This adjustment has no effect on the total bit time; if t_{TSEG1} is increased by 2 tq, t_{TSEG2} is decreased by 2 tq, and vice versa.</p>
5:0	BRP5:0	<p>Baud-rate Prescaler</p> <p>This field defines the length of one time quantum (tq), using the following formula, where t_{XTAL1} is the input clock period on XTAL1. Valid programmed values are 0–63.</p> $tq = 2t_{XTAL1} \times (BRP + 1)$ <p>For example, at 20 MHz operation, the system clock period is 50 ns. Writing 3 to BRP achieves a time quanta of 400 ns; writing 1 to BRP achieves a time quanta of 200 ns.</p> $tq = (2 \times 50) \times (3 + 1) = 400 \text{ ns}$ $tq = (2 \times 50) \times (1 + 1) = 200 \text{ ns}$

NOTE: The CCE bit (CAN_CON.6) must be set to enable write access to this register.

CAN_BTME1

CAN_BTME1
(87C196CA)Address: 1E4FH
Reset State: Unchanged

Program the CAN bit timing 1 (CAN_BTME1) register to define the sample time and the sample mode. The CAN controller samples the bus during the last one (in single-sample mode) or three (in three-sample mode) time quanta of t_{TSEG1} , and initiates a transmission at the end of t_{TSEG2} . Therefore, specifying the lengths of t_{TSEG1} and t_{TSEG2} defines both the sample point and the transmission point.

7

0

87C196CA	SPL	TSEG2.2	TSEG2.1	TSEG2.0	TSEG1.3	TSEG1.2	TSEG1.1	TSEG1.0
----------	-----	---------	---------	---------	---------	---------	---------	---------

Bit Number	Bit Mnemonic	Function
7	SPL	Sampling Mode This bit determines how many samples are taken to determine a valid bit value. 1 = 3 samples, using majority logic 0 = 1 sample
6:4	TSEG2	Time Segment 2 This field determines the length of time that follows the sample point within a bit time. Valid programmed values are 1–7; the hardware adds 1 to this value. (Note 2)
3:0	TSEG1	Time Segment 1 This field defines the length of time that precedes the sample point within a bit time. Valid programmed values are 2–15; the hardware adds 1 to this value. In three-sample mode, the hardware adds 2 time quanta to allow time for the two additional samples. (Note 2)

NOTES:

1. The CCE bit (CAN_CON.6) must be set to enable write access to this register.
2. For correct operation according to the CAN protocol, the total bit time length must be at least 8 time quanta, so the sum of the programmed values of TSEG1 and TSEG2 must be at least 5. (The total bit time is the sum of $t_{SYNC_SEG} + t_{TSEG1} + t_{TSEG2}$. The length of t_{SYNC_SEG} is 1 time quanta, and the hardware adds 1 to both TSEG1 and TSEG2. Therefore, if $TSEG1 + TSEG2 = 5$, the total bit length will be equal to 8 (1+5+1+1)).

CAN_CON

CAN_CON
(87C196CA)

Address: 1E00H
Reset State: 01H

Program the CAN control (CAN_CON) register to control write access to the bit timing registers, to enable and disable CAN interrupts, and to control access to the CAN bus.



Bit Number	Bit Mnemonic	Function
7	—	Reserved; for compatibility with future devices, write zero to this bit.
6	CCE	Change Configuration Enable This bit controls whether software can write to the bit timing registers. 1 = allow write access 0 = prohibit write access
5:4	—	Reserved; for compatibility with future devices, write zeros to these bits.
3	EIE	Error Interrupt Enable This bit enables and disables the bus-off and warn interrupts. 1 = enable bus-off and warn interrupts 0 = disable bus-off and warn interrupts
2	SIE	Status-change Interrupt Enable This bit enables and disables the successful reception (RXOK), successful transmission (TXOK), and error code change (LEC2:0) interrupts. 1 = enable status-change interrupt 0 = disable status-change interrupt When the SIE bit is set, the CAN controller generates a successful reception (RXOK) interrupt request each time it receives a valid message, even if no message object accepts it.

CAN_CON

CAN_CON (Continued)
(87C196CA)

Address: 1E00H
Reset State: 01H

Program the CAN control (CAN_CON) register to control write access to the bit timing registers, to enable and disable CAN interrupts, and to control access to the CAN bus.

7	—	CCE	—	—	EIE	SIE	IE	INIT	0
---	---	-----	---	---	-----	-----	----	------	---

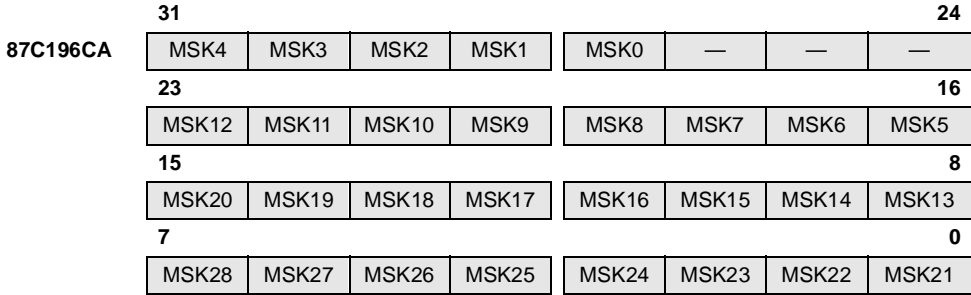
Bit Number	Bit Mnemonic	Function
1	IE	<p>Interrupt Enable</p> <p>This bit globally enables and disables interrupts (error, status-change, and message object transmit and receive interrupts).</p> <p>1 = enable interrupts 0 = disable interrupts</p> <p>When the IE bit is set, an interrupt is generated only if the corresponding interrupt source's enable bit (EIE or SIE in CAN_CON; TXIE or RXIE in CAN_MSGx_CON0) is also set. If the IE bit is clear, an interrupt request updates the CAN interrupt pending register, but does not generate an interrupt.</p>
0	INIT	<p>Software Initialization Enable</p> <p>Setting this bit isolates the CAN bus from the system. (If a transfer is in progress, it completes, but no additional transfers are allowed.)</p> <p>1 = software initialization enabled 0 = software initialization disabled</p> <p>A hardware reset sets this bit, enabling you to configure the RAM without allowing any CAN bus activity. After a hardware reset or software initialization, clearing this bit completes the initialization. The CAN peripheral waits for a bus idle state (11 consecutive recessive bits) before participating in bus activities.</p> <p>Software can set this bit to stop all receptions and transmissions on the CAN bus. (To prevent transmission of a specific message object while its contents are being updated, set the CPUUPD bit in the individual message object's control register 1. See "Configuring Message Objects" on page 12-20.)</p> <p>Entering powerdown mode stops an in-progress CAN transmission immediately. To avoid stopping a CAN transmission while it is sending a dominant bit on the CAN bus, set the INIT bit before executing the IDLPD instruction.</p> <p>The CAN peripheral also sets this bit to isolate the CAN bus when an error counter reaches 256. This isolation is called a <i>bus-off</i> condition. After a bus-off condition, clearing this bit initiates a bus-off recovery sequence, which clears the error counters. The CAN peripheral waits for 128 bus idle states (128 packets of 11 consecutive recessive bits), then resumes normal operation. (See "Bus-off State" on page 12-41.)</p>

CAN_EGMSK

**CAN_EGMSK
(87C196CA)**

Address: Table C-3
Reset State:

Program the CAN extended global mask (CAN_EGMSK) register to mask (“don’t care”) specific message identifier bits for extended message objects.



Bit Number	Bit Mnemonic	Function
31:27	MSK4:0	ID Mask These bits individually mask incoming message identifier (ID) bits. 0 = mask the ID bit (accept either “0” or “1”) 1 = accept only an exact match
26:24	—	Reserved; for compatibility with future devices, write zeros to these bits.
23:16 15:8 7:0	MSK12:5 MSK20:13 MSK28:21	ID Mask These bits individually mask incoming message identifier (ID) bits. 0 = mask the ID bit (accept either “0” or “1”) 1 = accept only an exact match

Table C-3. CAN_EGMSK Addresses and Reset Values

Register	Address	Reset Value
CAN_EGMSK (bits 0–7)	1E08H	Unchanged††
CAN_EGMSK (bits 8–15)	1E09H	Unchanged
CAN_EGMSK (bits 16–23)	1E0AH	Unchanged
CAN_EGMSK (bits 24–31)	1E0BH	Unchanged

† This register can be accessed as a byte, word, or double word.

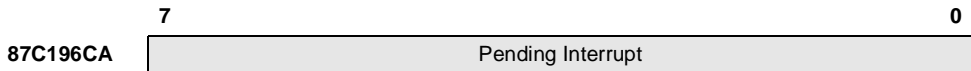
†† After reset, this register contains the value that was written to it before reset.

CAN_INT

CAN_INT
read-only (87C196CA)

Address: 1E5FH
 Reset State: 00H

The CAN interrupt pending (CAN_INT) register indicates the source of the highest priority pending interrupt. If a status change generated the interrupt request, software can read the status register (CAN_STAT) to determine whether the interrupt request was caused by an abnormal error rate, a successful reception, a successful transmission, or a new error. If an individual message object generated the interrupt request, software can read the associated message object control 0 register (CAN_MSGxCON0). The INT_PND bit-pair will be set, indicating that a receive or transmit interrupt request is pending.

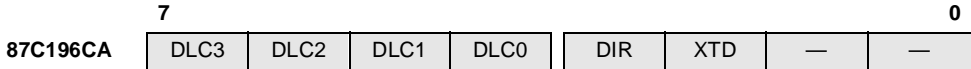


Bit Number	Function																																																						
7:0	Pending Interrupt This field indicates the source of the highest priority pending interrupt. <table border="1" style="margin-left: 20px;"> <thead> <tr> <th style="text-align: left;">Value</th> <th style="text-align: left;">Pending Interrupt</th> <th style="text-align: left;">Priority (15 is highest; 0 is lowest)</th> </tr> </thead> <tbody> <tr><td>00H</td><td>none</td><td>—</td></tr> <tr><td>01H</td><td>status register</td><td>15</td></tr> <tr><td>02H</td><td>message object 15</td><td>14</td></tr> <tr><td>03H</td><td>message object 1</td><td>13</td></tr> <tr><td>04H</td><td>message object 2</td><td>12</td></tr> <tr><td>05H</td><td>message object 3</td><td>11</td></tr> <tr><td>06H</td><td>message object 4</td><td>10</td></tr> <tr><td>07H</td><td>message object 5</td><td>9</td></tr> <tr><td>08H</td><td>message object 6</td><td>8</td></tr> <tr><td>09H</td><td>message object 7</td><td>7</td></tr> <tr><td>0AH</td><td>message object 8</td><td>6</td></tr> <tr><td>0BH</td><td>message object 9</td><td>5</td></tr> <tr><td>0CH</td><td>message object 10</td><td>4</td></tr> <tr><td>0DH</td><td>message object 11</td><td>3</td></tr> <tr><td>0EH</td><td>message object 12</td><td>2</td></tr> <tr><td>0FH</td><td>message object 13</td><td>1</td></tr> <tr><td>10H</td><td>message object 14</td><td>0</td></tr> </tbody> </table>	Value	Pending Interrupt	Priority (15 is highest; 0 is lowest)	00H	none	—	01H	status register	15	02H	message object 15	14	03H	message object 1	13	04H	message object 2	12	05H	message object 3	11	06H	message object 4	10	07H	message object 5	9	08H	message object 6	8	09H	message object 7	7	0AH	message object 8	6	0BH	message object 9	5	0CH	message object 10	4	0DH	message object 11	3	0EH	message object 12	2	0FH	message object 13	1	10H	message object 14	0
Value	Pending Interrupt	Priority (15 is highest; 0 is lowest)																																																					
00H	none	—																																																					
01H	status register	15																																																					
02H	message object 15	14																																																					
03H	message object 1	13																																																					
04H	message object 2	12																																																					
05H	message object 3	11																																																					
06H	message object 4	10																																																					
07H	message object 5	9																																																					
08H	message object 6	8																																																					
09H	message object 7	7																																																					
0AH	message object 8	6																																																					
0BH	message object 9	5																																																					
0CH	message object 10	4																																																					
0DH	message object 11	3																																																					
0EH	message object 12	2																																																					
0FH	message object 13	1																																																					
10H	message object 14	0																																																					

CAN_MSGxCFG
CAN_MSGxCFG
x = 1–15 (87C196CA)

 Address: Table C-4
 Reset State:

Program the CAN message object x configuration (CAN_MSGxCFG) register to specify a message object's data length, transfer direction, and identifier type.



Bit Number	Bit Mnemonic	Function
7:4	DLC3:0	Data Length Code Specify the number of data bytes this message object contains. Valid values are 0–8. The CAN controller updates a receive message object's data length code after each reception to reflect the number of data bytes in the current message.
3	DIR	Direction Specify whether this message object is to be transmitted or is to receive a message object from a remote node. 0 = receive 1 = transmit
2	XTD	Extended Identifier Used Specify whether this message object's identification registers contain an extended (29-bit) or a standard (11-bit) identifier. 0 = standard identifier 1 = extended identifier
1:0	—	Reserved; for compatibility with future devices, write zeros to these bits.

Table C-4. CAN_MSGxCFG Addresses and Reset Values

Register	Address	Reset Value	Register	Address	Reset Value
CAN_MSG1CFG	1E16H	Unchanged [†]	CAN_MSG9CFG	1E96H	Unchanged
CAN_MSG2CFG	1E26H	Unchanged	CAN_MSG10CFG	1EA6H	Unchanged
CAN_MSG3CFG	1E36H	Unchanged	CAN_MSG11CFG	1EB6H	Unchanged
CAN_MSG4CFG	1E46H	Unchanged	CAN_MSG12CFG	1EC6H	Unchanged
CAN_MSG5CFG	1E56H	Unchanged	CAN_MSG13CFG	1ED6H	Unchanged
CAN_MSG6CFG	1E66H	Unchanged	CAN_MSG14CFG	1EE6H	Unchanged
CAN_MSG7CFG	1E76H	Unchanged	CAN_MSG15CFG	1EF6H	Unchanged
CAN_MSG8CFG	1E86H	Unchanged			

[†] After reset, this register contains the value that was written to it before reset.

CAN_MSGxCON0

CAN_MSGxCON0
x = 1–15 (87C196CA)

Address: Table C-5
 Reset State:

Program the CAN message object x control 0 (CAN_MSGxCON0) register to indicate whether the message object is ready to transmit and to control whether a successful transmission or reception generates an interrupt. The least-significant bit-pair indicates whether an interrupt is pending.

This register consists of four bit-pairs — the most-significant bit of each pair is in true form and the least-significant bit is in complement form. This format allows software to set or clear any bit with a single write operation, without affecting the remaining bits.



Bit Number	Bit Mnemonic	Function
7:6	MSGVAL	Message Object Valid Set this bit-pair to indicate that a message object is valid (configured and ready for transmission or reception). bit 7 bit 6 0 1 not ready 1 0 message object is valid The CAN peripheral will access a message object only if this bit-pair indicates that the message is valid. If multiple message objects have the same identifier, only one can be valid at any given time. During initialization, software should clear this bit for any unused message objects. Software can clear this bit if a message is no longer needed or if you need to change a message object's contents or identifier.
5:4	TXIE	Transmit Interrupt Enable Receive message objects do not use this bit-pair. For transmit message objects, set this bit-pair to enable the CAN peripheral to initiate a transmit (TX) interrupt after a successful transmission. You must also set the interrupt enable bit (CAN_CON.1) to enable the interrupt. bit 5 bit 4 0 1 no interrupt 1 0 generate an interrupt

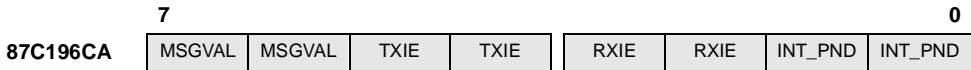
CAN_MSGxCON0

CAN_MSGxCON0 (Continued)
x = 1–15 (87C196CA)

Address: Table C-5
 Reset State:

Program the CAN message object x control 0 (CAN_MSGxCON0) register to indicate whether the message object is ready to transmit and to control whether a successful transmission or reception generates an interrupt. The least-significant bit-pair indicates whether an interrupt is pending.

This register consists of four bit-pairs — the most-significant bit of each pair is in true form and the least-significant bit is in complement form. This format allows software to set or clear any bit with a single write operation, without affecting the remaining bits.



Bit Number	Bit Mnemonic	Function
3:2	RXIE	Receive Interrupt Enable Transmit message objects do not use this bit-pair. For a receive message object, set this bit-pair to enable this message object to initiate a receive (RX) interrupt after a successful reception. You must also set the interrupt enable bit (CAN_CON.1) to enable the interrupt. bit 3 bit 2 0 1 no interrupt 1 0 generate an interrupt
1:0	INT_PND	Interrupt Pending This bit-pair indicates that this message object has initiated a transmit (TX) or receive (RX) interrupt. Software must clear this bit when it services the interrupt. bit 1 bit 0 0 1 no interrupt 1 0 an interrupt was generated

Table C-5. CAN_MSGxCON0 Addresses and Reset Values

Register	Address	Reset Value	Register	Address	Reset Value
CAN_MSG1CON0	1E10H	Unchanged [†]	CAN_MSG9CON0	1E90H	Unchanged
CAN_MSG2CON0	1E20H	Unchanged	CAN_MSG10CON0	1EA0H	Unchanged
CAN_MSG3CON0	1E30H	Unchanged	CAN_MSG11CON0	1EB0H	Unchanged
CAN_MSG4CON0	1E40H	Unchanged	CAN_MSG12CON0	1EC0H	Unchanged
CAN_MSG5CON0	1E50H	Unchanged	CAN_MSG13CON0	1ED0H	Unchanged
CAN_MSG6CON0	1E60H	Unchanged	CAN_MSG14CON0	1EE0H	Unchanged
CAN_MSG7CON0	1E70H	Unchanged	CAN_MSG15CON0	1EF0H	Unchanged
CAN_MSG8CON0	1E80H	Unchanged			

[†] After reset, this register contains the value that was written to it before reset.

CAN_MSGxCON1

CAN_MSGxCON1
x = 1–15 (87C196CA)

Address: Table C-6
 Reset State:

The CAN message object x control 1 (CAN_MSGxCON1) register indicates whether a message object has been updated, whether a message has been overwritten, whether the CPU is updating the message, and whether a transmission or reception is pending.

This register consists of four bit-pairs — the most-significant bit of each pair is in true form and the least-significant bit is in complement form. This format allows software to set or clear any bit with a single write operation, without affecting the remaining bits.

7

0

87C196CA

RMTPNB	RMTPNB	TX_REQ	TX_REQ	MSGLST CPUUPD	MSGLST CPUUPD	NEWDAT	NEWDAT
--------	--------	--------	--------	------------------	------------------	--------	--------

Bit Number	Bit Mnemonic	Function
7:6	RMTPNB	Remote Request Pending Receive message objects do not use this bit-pair. The CAN controller sets this bit-pair to indicate that a remote frame has requested the transmission of a transmit message object. If the CPUUPD bit-pair is clear, the CAN controller transmits the message object, then clears RMTPNB. Setting RMTPNB does not cause a transmission; it only indicates that a transmission is pending. bit 7 bit 6 0 1 no pending request 1 0 a remote request is pending
5:4	TX_REQ	Transmission Request Set this bit-pair to cause a receive message object to transmit a remote frame (a request for transmission) or to cause a transmit object to transmit a data frame. Read this bit-pair to determine whether a transmission is in progress. bit 5 bit 4 0 1 no pending request; no transmission in progress 1 0 transmission request; transmission in progress
3:2	MSGLST or CPUUPD	Message Lost (receive) For a receive message object, the CAN controller sets this bit-pair to indicate that it stored a new message while the NEWDAT bit-pair was still set, overwriting the previous message. bit 3 bit 2 0 1 no overwrite occurred 1 0 a message was lost (overwritten) CPU Updating (transmit) For a transmit message object, software should set this bit-pair to indicate that it is in the process of updating the message contents. This prevents a remote frame from triggering a transmission that would contain invalid data. bit 3 bit 2 0 1 the message is valid 1 0 software is updating data

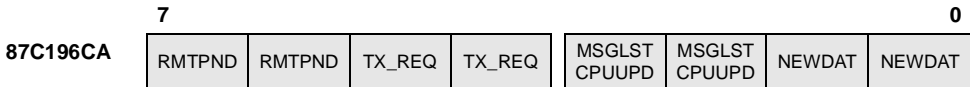
CAN_MSGxCON1

CAN_MSGxCON1 (Continued)
x = 1–15 (87C196CA)

Address: Table C-6
 Reset State:

The CAN message object x control 1 (CAN_MSGxCON1) register indicates whether a message object has been updated, whether a message has been overwritten, whether the CPU is updating the message, and whether a transmission or reception is pending.

This register consists of four bit-pairs — the most-significant bit of each pair is in true form and the least-significant bit is in complement form. This format allows software to set or clear any bit with a single write operation, without affecting the remaining bits.



Bit Number	Bit Mnemonic	Function
1:0	NEWDAT	<p>New Data</p> <p>This bit-pair indicates whether a message object is valid (configured and ready for transmission).</p> <p>bit 1 bit 2</p> <p>0 1 not ready</p> <p>1 0 message object is valid</p> <p>For receive message objects, the CAN peripheral sets this bit-pair when it stores new data into the message object.</p> <p>For transmit message objects, set this bit-pair and clear the CPUUPD bit-pair to indicate that the message contents have been updated. Clearing CPUUPD prevents a remote frame from triggering a transmission that would contain invalid data.</p> <p>During initialization, clear this bit for any unused message objects.</p>

Table C-6. CAN_MSGxCON1 Addresses and Reset Values

Register	Address	Reset Value	Register	Address	Reset Value
CAN_MSG1CON1	1E11H	Unchanged [†]	CAN_MSG9CON1	1E91H	Unchanged
CAN_MSG2CON1	1E21H	Unchanged	CAN_MSG10CON1	1EA1H	Unchanged
CAN_MSG3CON1	1E31H	Unchanged	CAN_MSG11CON1	1EB1H	Unchanged
CAN_MSG4CON1	1E41H	Unchanged	CAN_MSG12CON1	1EC1H	Unchanged
CAN_MSG5CON1	1E51H	Unchanged	CAN_MSG13CON1	1ED1H	Unchanged
CAN_MSG6CON1	1E61H	Unchanged	CAN_MSG14CON1	1EE1H	Unchanged
CAN_MSG7CON1	1E71H	Unchanged	CAN_MSG15CON1	1EF1H	Unchanged
CAN_MSG8CON1	1E81H	Unchanged			

[†] After reset, this register contains the value that was written to it before reset.

CAN_MSGxDATA0-7

CAN_MSGxDATA0-7
x = 1-15 (87C196CA)

Address: Table C-7
 Reset State:

The CAN message object data (CAN_MSGxDATA0-7) registers contain data to be transmitted or data received. Any unused data bytes have random values that change during operation.

87C196CA	7	0
CAN_MSGxDATA7	Data 7	
	7	0
CAN_MSGxDATA6	Data 6	
	7	0
CAN_MSGxDATA5	Data 5	
	7	0
CAN_MSGxDATA4	Data 4	
	7	0
CAN_MSGxDATA3	Data 3	
	7	0
CAN_MSGxDATA2	Data 2	
	7	0
CAN_MSGxDATA1	Data 1	
	7	0
CAN_MSGxDATA0	Data 0	

Bit Number	Function
7:0	<p>Data</p> <p>Each message object can use from zero to eight data registers to hold data to be transmitted or data received.</p> <p>For receive message objects, these registers accept data during a reception.</p> <p>For transmit message objects, write the data that is to be transmitted to these registers. The number of data bytes must match the DLC field in the CAN_MSGxCFG register. (For example, if CAN_MSG1DATA0, CAN_MSG1DATA1, CAN_MSG1DATA2, and CAN_MSG1DATA3 contain data, the DLC field in CAN_MSG1CFG must contain 04H.)</p>

CAN_MSGxDATA0-7
Table C-7. CAN_MSGxDATA0-7 Addresses

Register	Address	Register	Address	Register	Address
CAN_MSG1DATA0	1E17H	CAN_MSG6DATA0	1E67H	CAN_MSG11DATA0	1EB7H
CAN_MSG1DATA1	1E18H	CAN_MSG6DATA1	1E68H	CAN_MSG11DATA1	1EB8H
CAN_MSG1DATA2	1E19H	CAN_MSG6DATA2	1E69H	CAN_MSG11DATA2	1EB9H
CAN_MSG1DATA3	1E1AH	CAN_MSG6DATA3	1E6AH	CAN_MSG11DATA3	1EBAH
CAN_MSG1DATA4	1E1BH	CAN_MSG6DATA4	1E6BH	CAN_MSG11DATA4	1EBBH
CAN_MSG1DATA5	1E1CH	CAN_MSG6DATA5	1E6CH	CAN_MSG11DATA5	1EBCH
CAN_MSG1DATA6	1E1DH	CAN_MSG6DATA6	1E6DH	CAN_MSG11DATA6	1EBDH
CAN_MSG1DATA7	1E1EH	CAN_MSG6DATA7	1E6EH	CAN_MSG11DATA7	1EBEH
CAN_MSG2DATA0	1E27H	CAN_MSG7DATA0	1E77H	CAN_MSG12DATA0	1EC7H
CAN_MSG2DATA1	1E28H	CAN_MSG7DATA1	1E78H	CAN_MSG12DATA1	1EC8H
CAN_MSG2DATA2	1E29H	CAN_MSG7DATA2	1E79H	CAN_MSG12DATA2	1EC9H
CAN_MSG2DATA3	1E2AH	CAN_MSG7DATA3	1E7AH	CAN_MSG12DATA3	1ECAH
CAN_MSG2DATA4	1E2BH	CAN_MSG7DATA4	1E7BH	CAN_MSG12DATA4	1ECBH
CAN_MSG2DATA5	1E2CH	CAN_MSG7DATA5	1E7CH	CAN_MSG12DATA5	1ECCH
CAN_MSG2DATA6	1E2DH	CAN_MSG7DATA6	1E7DH	CAN_MSG12DATA6	1ECDH
CAN_MSG2DATA7	1E2EH	CAN_MSG7DATA7	1E7EH	CAN_MSG12DATA7	1ECEH
CAN_MSG3DATA0	1E37H	CAN_MSG8DATA0	1E87H	CAN_MSG13DATA0	1ED7H
CAN_MSG3DATA1	1E38H	CAN_MSG8DATA1	1E88H	CAN_MSG13DATA1	1ED8H
CAN_MSG3DATA2	1E39H	CAN_MSG8DATA2	1E89H	CAN_MSG13DATA2	1ED9H
CAN_MSG3DATA3	1E3AH	CAN_MSG8DATA3	1E8AH	CAN_MSG13DATA3	1EDAH
CAN_MSG3DATA4	1E3BH	CAN_MSG8DATA4	1E8BH	CAN_MSG13DATA4	1EDBH
CAN_MSG3DATA5	1E3CH	CAN_MSG8DATA5	1E8CH	CAN_MSG13DATA5	1EDCH
CAN_MSG3DATA6	1E3DH	CAN_MSG8DATA6	1E8DH	CAN_MSG13DATA6	1EDDH
CAN_MSG3DATA7	1E3EH	CAN_MSG8DATA7	1E8EH	CAN_MSG13DATA7	1EDEH
CAN_MSG4DATA0	1E47H	CAN_MSG9DATA0	1E97H	CAN_MSG14DATA0	1EE7H
CAN_MSG4DATA1	1E48H	CAN_MSG9DATA1	1E98H	CAN_MSG14DATA1	1EE8H
CAN_MSG4DATA2	1E49H	CAN_MSG9DATA2	1E99H	CAN_MSG14DATA2	1EE9H
CAN_MSG4DATA3	1E4AH	CAN_MSG9DATA3	1E9AH	CAN_MSG14DATA3	1EEAH
CAN_MSG4DATA4	1E4BH	CAN_MSG9DATA4	1E9BH	CAN_MSG14DATA4	1EEBH
CAN_MSG4DATA5	1E4CH	CAN_MSG9DATA5	1E9CH	CAN_MSG14DATA5	1EECH
CAN_MSG4DATA6	1E4DH	CAN_MSG9DATA6	1E9DH	CAN_MSG14DATA6	1EEDH
CAN_MSG4DATA7	1E4EH	CAN_MSG9DATA7	1E9EH	CAN_MSG14DATA7	1EEEH
CAN_MSG5DATA0	1E57H	CAN_MSG10DATA0	1EA7H	CAN_MSG15DATA0	1EF7H
CAN_MSG5DATA1	1E58H	CAN_MSG10DATA1	1EA8H	CAN_MSG15DATA1	1EF8H
CAN_MSG5DATA2	1E59H	CAN_MSG10DATA2	1EA9H	CAN_MSG15DATA2	1EF9H
CAN_MSG5DATA3	1E5AH	CAN_MSG10DATA3	1EAAH	CAN_MSG15DATA3	1EFAH
CAN_MSG5DATA4	1E5BH	CAN_MSG10DATA4	1EABH	CAN_MSG15DATA4	1EFBH
CAN_MSG5DATA5	1E5CH	CAN_MSG10DATA5	1EACH	CAN_MSG15DATA5	1EFCH
CAN_MSG5DATA6	1E5DH	CAN_MSG10DATA6	1EADH	CAN_MSG15DATA6	1EFDH
CAN_MSG5DATA7	1E5EH	CAN_MSG10DATA7	1EAEH	CAN_MSG15DATA7	1EFEH

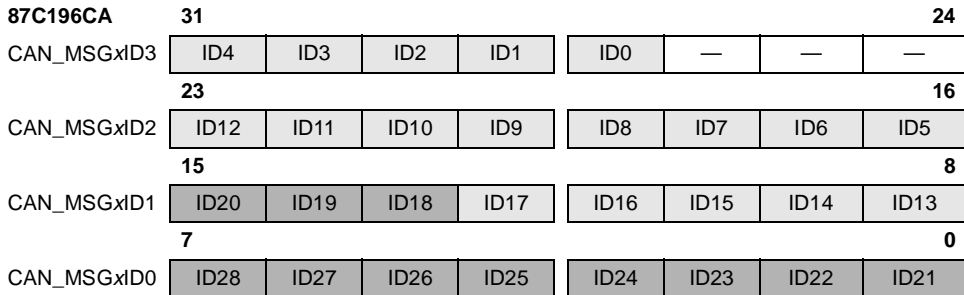
NOTE: After reset, these register contain the values that were written to them before reset (i.e. their values remain unchanged after resetting the device).

CAN_MSGxID0-3

CAN_MSGxID0-3
x = 1-15 (87C196CA)

Address: Table C-8
 Reset State:

Write the message object's identifier to the CAN message object x identifier (CAN_MSGxID0-3) register. Software can change the identifier during normal operation. Clear the MSGVAL bit in the corresponding CAN_MSGxCON0 register to prevent the CPU from accessing the message object, change the identifier in CAN_MSGxID0-3, then set the MSGVAL bit to allow access.



Bit Number	Bit Mnemonic	Function
31:27 23:16 12:8	ID4:0 ID12:5 ID17:13	Message Identifier 17:0 These bits hold the 18 least-significant bits of an extended identifier. If you write an extended identifier to these bits, but specify a standard identifier (XTD = 0) in the corresponding message object's configuration register (CAN_MSGxCFG), the CPU clears these bits (ID17:0).
26:24	—	Reserved; for compatibility with future devices, write zeros to these bits.
15:13 7:0	ID20:18 ID28:21	Message Identifier 28:18 These bits hold either an entire standard identifier or the 11 most-significant bits of an extended identifier.

NOTE: This register is the same as the arbitration register in the standalone 82527 CAN peripheral.

CAN_MSGxID0–3

Table C-8. CAN_MSGxID0–3 Addresses

Register	Address	Register	Address	Register	Address
CAN_MSG1ID0	1E12H	CAN_MSG6ID0	1E62H	CAN_MSG11ID0	1EB2H
CAN_MSG1ID1	1E13H	CAN_MSG6ID1	1E63H	CAN_MSG11ID1	1EB3H
CAN_MSG1ID2	1E14H	CAN_MSG6ID2	1E64H	CAN_MSG11ID2	1EB4H
CAN_MSG1ID3	1E15H	CAN_MSG6ID3	1E65H	CAN_MSG11ID3	1EB5H
CAN_MSG2ID0	1E22H	CAN_MSG7ID0	1E72H	CAN_MSG12ID0	1EC2H
CAN_MSG2ID1	1E23H	CAN_MSG7ID1	1E73H	CAN_MSG12ID1	1EC3H
CAN_MSG2ID2	1E24H	CAN_MSG7ID2	1E74H	CAN_MSG12ID2	1EC4H
CAN_MSG2ID3	1E25H	CAN_MSG7ID3	1E75H	CAN_MSG12ID3	1EC5H
CAN_MSG3ID0	1E32H	CAN_MSG8ID0	1E82H	CAN_MSG13ID0	1ED2H
CAN_MSG3ID1	1E33H	CAN_MSG8ID1	1E83H	CAN_MSG13ID1	1ED3H
CAN_MSG3ID2	1E34H	CAN_MSG8ID2	1E84H	CAN_MSG13ID2	1ED4H
CAN_MSG3ID3	1E35H	CAN_MSG8ID3	1E85H	CAN_MSG13ID3	1ED5H
CAN_MSG4ID0	1E42H	CAN_MSG9ID0	1E92H	CAN_MSG14ID0	1EE2H
CAN_MSG4ID1	1E43H	CAN_MSG9ID1	1E93H	CAN_MSG14ID1	1EE3H
CAN_MSG4ID2	1E44H	CAN_MSG9ID2	1E94H	CAN_MSG14ID2	1EE4H
CAN_MSG4ID3	1E45H	CAN_MSG9ID3	1E95H	CAN_MSG14ID3	1EE5H
CAN_MSG5ID0	1E52H	CAN_MSG10ID0	1EA2H	CAN_MSG15ID0	1EF2H
CAN_MSG5ID1	1E53H	CAN_MSG10ID1	1EA3H	CAN_MSG15ID1	1EF3H
CAN_MSG5ID2	1E54H	CAN_MSG10ID2	1EA4H	CAN_MSG15ID2	1EF4H
CAN_MSG5ID3	1E55H	CAN_MSG10ID3	1EA5H	CAN_MSG15ID3	1EF5H

NOTE: After reset, these register contain the values that were written to them before reset.

CAN_MSK15

CAN_MSK15 (87C196CA)	Address:	Table C-9
	Reset State:	
Program the CAN message 15 mask (CAN_MSK15) register to mask (“don't care”) specific message identifier bits for message 15 in addition to those bits masked by a global mask (CAN_EGMSK or CAN_SGMSK).		
	31	24
87C196CA	MSK4 MSK3 MSK2 MSK1	MSK0 — — —
	23	16
	MSK12 MSK11 MSK10 MSK9	MSK8 MSK7 MSK6 MSK5
	15	8
	MSK20 MSK19 MSK18 MSK17	MSK16 MSK15 MSK14 MSK13
	7	0
	MSK28 MSK27 MSK26 MSK25	MSK24 MSK23 MSK22 MSK21

Bit Number	Function	
31:27	MSK4:0	ID Mask These bits individually mask incoming message identifier (ID) bits. 0 = mask the ID bit (accept either “0” or “1”) 1 = accept only an exact match
26:24	—	Reserved. These bits are undefined; for compatibility with future devices, do not modify these bits.
23:16 15:8 7:0	MSK12:5 MSK20:13 MSK28:21	ID Mask These bits individually mask incoming message identifier (ID) bits. 0 = mask the ID bit (accept either “0” or “1”) 1 = accept only an exact match

NOTE: Setting a CAN_MSK15 bit in any position that is cleared in the global mask register has no effect. The message 15 mask is ANDed with the global mask, so any “don't care” bits defined in a global mask are also “don't care” bits for message 15.

Table C-9. CAN_MSK15 Addresses and Reset Values

Register	Address	Reset Value
CAN_MSK15 (bits 0–7)	1E0CH	Unchanged ^{††}
CAN_MSK15 (bits 8–15)	1E0DH	Unchanged
CAN_MSK15 (bits 16–23)	1E0EH	Unchanged
CAN_MSK15 (bits 24–31)	1E0FH	Unchanged

[†] This register can be accessed as a byte, word, or double word.

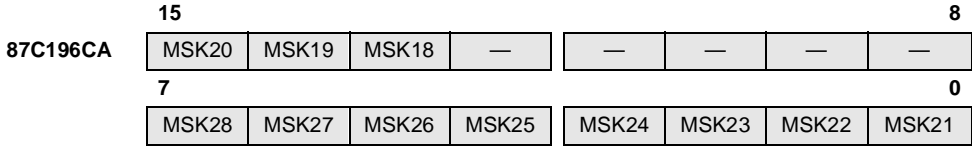
^{††} After reset, this register contains the value that was written to it before reset.

CAN_SGMSK

CAN_SGMSK
(87C196CA)

Address: 1E07H, 1E06H
Reset State: Unchanged

Program the CAN standard global mask (CAN_SGMSK) register to mask (“don’t care”) specific message identifier bits for standard message objects.



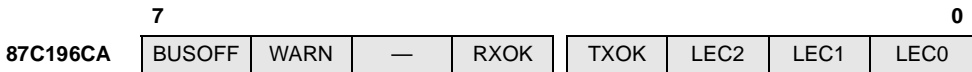
Bit Number	Bit Mnemonic	Function
15:13	MSK20:18	ID Mask These bits individually mask incoming message identifier (ID) bits. 0 = mask the ID bit (accept either “0” or “1”) 1 = accept only an exact match
12:8	—	Reserved; for compatibility with future devices, write zeros to these bits.
7:0	MSK28:21	ID Mask These bits individually mask incoming message identifier (ID) bits. 0 = mask the ID bit (accept either “0” or “1”) 1 = accept only an exact match

CAN_STAT

CAN_STAT
(87C196CA)

Address: 1E01H
Reset State: XXH

The CAN status (CAN_STAT) register reflects the current status of the CAN peripheral.



Bit Number	Bit Mnemonic	Function																																				
7	BUSOFF	<p>Bus-off Status</p> <p>The CAN peripheral sets this read-only bit to indicate that it has isolated itself from the CAN bus (floated the TX pin) because an error counter has reached 256. A bus-off recovery sequence clears this bit and clears the error counters. (See “Bus-off State” on page 12-41.)</p>																																				
6	WARN	<p>Warning Status</p> <p>The CAN peripheral sets this read-only bit to indicate that an error counter has reached 96, indicating an abnormal rate of errors on the CAN bus.</p>																																				
5	—	Reserved. This bit is undefined.																																				
4	RXOK	<p>Reception Successful</p> <p>The CAN peripheral sets this bit to indicate that a message has been successfully received (error free, regardless of acknowledgment) since the bit was last cleared. Software must clear this bit when it services the interrupt.</p>																																				
3	TXOK	<p>Transmission Successful</p> <p>The CAN peripheral sets this bit to indicate that a message has been successfully transmitted (error free and acknowledged by at least one other node) since the bit was last cleared. Software must clear this bit when it services the interrupt.</p>																																				
2:0	LEC2:0	<p>Last Error Code</p> <p>This field indicates the error type of the first error that occurs in a message frame on the CAN bus. (“Error Detection and Management Logic” on page 12-9 describes the error types.)</p> <table border="1" style="width: 100%; border-collapse: collapse;"> <thead> <tr> <th>LEC2</th> <th>LEC1</th> <th>LEC0</th> <th>Error Type</th> </tr> </thead> <tbody> <tr><td>0</td><td>0</td><td>0</td><td>no error</td></tr> <tr><td>0</td><td>0</td><td>1</td><td>stuff error</td></tr> <tr><td>0</td><td>1</td><td>0</td><td>form error</td></tr> <tr><td>0</td><td>1</td><td>1</td><td>acknowledgment error</td></tr> <tr><td>1</td><td>0</td><td>0</td><td>bit 1 error</td></tr> <tr><td>1</td><td>0</td><td>1</td><td>bit 0 error</td></tr> <tr><td>1</td><td>1</td><td>0</td><td>CRC error</td></tr> <tr><td>1</td><td>1</td><td>1</td><td>unused</td></tr> </tbody> </table>	LEC2	LEC1	LEC0	Error Type	0	0	0	no error	0	0	1	stuff error	0	1	0	form error	0	1	1	acknowledgment error	1	0	0	bit 1 error	1	0	1	bit 0 error	1	1	0	CRC error	1	1	1	unused
LEC2	LEC1	LEC0	Error Type																																			
0	0	0	no error																																			
0	0	1	stuff error																																			
0	1	0	form error																																			
0	1	1	acknowledgment error																																			
1	0	0	bit 1 error																																			
1	0	1	bit 0 error																																			
1	1	0	CRC error																																			
1	1	1	unused																																			

CCR0
CCR0

 Address: 2018H
 Reset State: XXH

The chip configuration 0 (CCR0) register controls powerdown mode, bus-control signals, and internal memory protection. Three of its bits combine with two bits of CCR1 to control wait states and bus width.

7
0

LOC1	LOC0	IRC1	IRC0	ALE	WR	BW0	PD
------	------	------	------	-----	----	-----	----

Bit Number	Bit Mnemonic	Function
7:6	LOC1:0	Lock Bits Determine the programming protection scheme for internal memory. LOC1 LOC0 0 0 read and write protect 0 1 read protect only 1 0 write protect only 1 1 no protection
5:4	IRC1:0	Internal Ready Control These two bits, along with IRC2 (CCR1.1), limit the number of wait states that can be inserted while the READY pin is held low. Wait states are inserted into the bus cycle either until the READY pin is pulled high or until this internal number is reached. IRC2 IRC1 IRC0 0 0 0 zero wait states 0 X 1 illegal 0 1 X illegal 1 0 0 one wait state 1 0 1 two wait states 1 1 0 three wait states 1 1 1 infinite [†] [†] This mode is unavailable on the 8XC196Jx device. On this device, the READY pin is not implemented. Therefore, the number of wait states inserted into the bus cycle is determined only by the IRC2:0 bit settings.
3	ALE	Address Valid Strobe and Write Strobe
2	WR	These bits define which bus-control signals will be generated during external read and write cycles. ALE WR 0 0 address valid with write strobe mode (ADV#, RD#, WRL#, WRH#) [†] 0 1 address valid strobe mode (ADV#, RD#, WR#, BHE#) [†] 1 0 write strobe mode (ALE, RD#, WRL#, WRH#) [†] 1 1 standard bus-control mode (ALE, RD#, WR#, BHE#) [†] [†] On the 8XC196Jx device, the BHE#/WRH# pin is not implemented.

CCRO

CCRO (Continued)

Address: 2018H
Reset State: XXH

The chip configuration 0 (CCRO) register controls powerdown mode, bus-control signals, and internal memory protection. Three of its bits combine with two bits of CCR1 to control wait states and bus width.

7 0

LOC1	LOC0	IRC1	IRC0	ALE	WR	BW0	PD
------	------	------	------	-----	----	-----	----

Bit Number	Bit Mnemonic	Function												
1	BW0	<p>Buswidth Control</p> <p>This bit, along with the BW1 bit (CCR1.2), selects the bus width.</p> <p>BW1 BW0</p> <table> <tr> <td>0</td> <td>0</td> <td>illegal</td> </tr> <tr> <td>0</td> <td>1</td> <td>16-bit only</td> </tr> <tr> <td>1</td> <td>0</td> <td>8-bit only</td> </tr> <tr> <td>1</td> <td>1</td> <td>BUSWIDTH pin controlled[†]</td> </tr> </table> <p>[†] This mode is unavailable on the 87C196CA, Jx devices. The BUSWIDTH pin is not implemented.</p>	0	0	illegal	0	1	16-bit only	1	0	8-bit only	1	1	BUSWIDTH pin controlled [†]
0	0	illegal												
0	1	16-bit only												
1	0	8-bit only												
1	1	BUSWIDTH pin controlled [†]												
0	PD	<p>Powerdown Enable</p> <p>Controls whether the IDLPD #2 instruction causes the device to enter powerdown mode. Clearing this bit at reset can prevent accidental entry into powerdown mode.</p> <p>1 = enable powerdown mode 0 = disable powerdown mode</p>												

CCR1

CCR1

Address: 201AH
Reset State: XXH

The chip configuration 1 (CCR1) register enables the watchdog timer and selects the bus timing mode. Two of its bits combine with three bits of CCR0 to control wait states and bus width.

	7							0
CA, Jx, KQ, KR	1	1	0	1	WDE	BW1	IRC2	0

	7							0
KS, KT	MSEL1	MSEL0	0	1	WDE	BW1	IRC2	0

Bit Number	Bit Mnemonic	Function
7:6	1 (CA, Jx, KQ, KR)	To guarantee device operation, write ones to these bits.
	MSEL1:0 (KS, KT)	External Access Timing Mode Select These bits control the bus-timing modes. MSEL1 MSEL0 0 0 standard mode plus one wait state 0 1 long read/write 1 0 long read/write with early address 1 1 standard mode
5	0	To guarantee device operation, write zero to this bit.
4	1	To guarantee device operation, write one to this bit.
3	WDE	Watchdog Timer Enable Selects whether the watchdog timer is always enabled or enabled the first time it is cleared. 1 = enabled first time it is cleared 0 = always enabled
2	BW1	Buswidth Control This bit, along with the BW0 bit (CCR0.1), selects the bus width. BW1 BW0 0 0 illegal 0 1 16-bit only 1 0 8-bit only 1 1 BUSWIDTH pin controlled [†] [†] This mode is unavailable on the 87C196CA, 8XC196Jx devices. The BUSWIDTH pin is not implemented.

CCR1

CCR1 (Continued)

Address: 201AH
Reset State: XXH

The chip configuration 1 (CCR1) register enables the watchdog timer and selects the bus timing mode. Two of its bits combine with three bits of CCR0 to control wait states and bus width.

	7						0	
CA, Jx, KQ, KR	1	1	0	1	WDE	BW1	IRC2	0
	7							0
KS, KT	MSEL1	MSEL0	0	1	WDE	BW1	IRC2	0

Bit Number	Bit Mnemonic	Function																																
1	IRC2	<p>Ready Control</p> <p>This bit, along with IRC0 (CCR0.4) and IRC1 (CCR0.5), limits the number of wait states that can be inserted while the READY pin is held low. Wait states are inserted into the bus cycle either until the READY pin is pulled high or until this internal number is reached.</p> <table border="1"> <thead> <tr> <th>IRC2</th> <th>IRC1</th> <th>IRC0</th> <th></th> </tr> </thead> <tbody> <tr> <td>0</td> <td>0</td> <td>0</td> <td>zero wait states</td> </tr> <tr> <td>0</td> <td>X</td> <td>1</td> <td>illegal</td> </tr> <tr> <td>0</td> <td>1</td> <td>X</td> <td>illegal</td> </tr> <tr> <td>1</td> <td>0</td> <td>0</td> <td>one wait state</td> </tr> <tr> <td>1</td> <td>0</td> <td>1</td> <td>two wait states</td> </tr> <tr> <td>1</td> <td>1</td> <td>0</td> <td>three wait states</td> </tr> <tr> <td>1</td> <td>1</td> <td>1</td> <td>infinite[†]</td> </tr> </tbody> </table> <p>[†] This mode is unavailable on the 8XC196Jx device. On this device, the READY pin is not implemented. Therefore, the number of wait states inserted into the bus cycle is determined only by the IRC2:0 bit settings.</p>	IRC2	IRC1	IRC0		0	0	0	zero wait states	0	X	1	illegal	0	1	X	illegal	1	0	0	one wait state	1	0	1	two wait states	1	1	0	three wait states	1	1	1	infinite [†]
IRC2	IRC1	IRC0																																
0	0	0	zero wait states																															
0	X	1	illegal																															
0	1	X	illegal																															
1	0	0	one wait state																															
1	0	1	two wait states																															
1	1	0	three wait states																															
1	1	1	infinite [†]																															
0	—	Reserved; always write as zero.																																

COMP_x_CON

COMP_x_CON
x = 0–1

Address: Table C-10
 Reset State:

The EPA compare control (COMP_x_CON) registers determine the function of the EPA compare channels.

7	0						
TB	CE	M1	M0	RE	AD	ROT	RT

Bit Number	Bit Mnemonic	Function															
7	TB	Time Base Select Specifies the reference timer. 1 = timer 2 is the reference timer and timer 1 is the opposite timer 0 = timer 1 is the reference timer and timer 2 is the opposite timer A compare event (start of an A/D conversion; clearing, setting, or toggling an output pin; and/or resetting either timer) occurs when the reference timer matches the time programmed in the event-time register.															
6	CE	Compare Enable This bit enables the compare function. 1 = compare function enabled 0 = compare function disabled															
5:4	M1:0	EPA Mode Select Specifies the type of compare event. <table border="0"> <tr> <td>M1</td> <td>M0</td> <td></td> </tr> <tr> <td>0</td> <td>0</td> <td>no output</td> </tr> <tr> <td>0</td> <td>1</td> <td>clear output pin</td> </tr> <tr> <td>1</td> <td>0</td> <td>set output pin</td> </tr> <tr> <td>1</td> <td>1</td> <td>toggle output pin</td> </tr> </table>	M1	M0		0	0	no output	0	1	clear output pin	1	0	set output pin	1	1	toggle output pin
M1	M0																
0	0	no output															
0	1	clear output pin															
1	0	set output pin															
1	1	toggle output pin															
3	RE	Re-enable Allows a compare event to continue to execute each time the event-time register (COMP _x _TIME) matches the reference timer rather than only upon the first time match. 1 = compare function always enabled 0 = compare function will drive the output only once.															
2	AD	A/D Conversion Allows the EPA to start an A/D conversion that has been previously set up in the A/D control registers. To use this feature, you must select the EPA as the conversion source in the AD_CONTROL register. 1 = EPA compare event triggers an A/D conversion 0 = causes no A/D action															

COMP_x_CONCOMP_x_CON
(Continued)Address: Table C-10
Reset State:

The EPA compare control (COMP_x_CON) registers determine the function of the EPA compare channels.

7

0

TB	CE	M1	M0	RE	AD	ROT	RT
----	----	----	----	----	----	-----	----

Bit Number	Bit Mnemonic	Function
1	ROT	Reset Opposite Timer and Reset Timer These bits control whether an EPA compare event resets the reference timer or the opposite timer. ROT RT X 0 reset function disabled 0 1 resets reference timer 1 1 resets opposite timer The state of the TB bit (COMP _x _CON.7) determines which timer is the reference timer and which timer is the opposite timer.
0	RT	Reset Timer This bit controls whether the timer selected by the ROT bit will be reset 1 = resets the timer selected by the ROT bit 0 = disables the reset function

Table C-10. COMP_x_CON Addresses and Reset Values

Register	Address	Reset Value
COMP0_CON	1F88H	00H
COMP1_CON	1F8CH	00H

COMP_x_TIME

<p>COMP_x_TIME x = 0–1</p> <p>The EPA compare <i>x</i> time (COMP_x_TIME) registers are the event-time registers for the EPA compare channels; they are functionally identical to the EPA_x_TIME registers. The EPA triggers a compare event when the reference timer matches the value in COMP_x_TIME.</p>	<p>Address: Table C-11 Reset State:</p>				
<p>15 8</p> <div style="border: 1px solid black; background-color: #f0f0f0; padding: 2px; text-align: center;">EPA Event Time Value (high byte)</div>					
<p>7 0</p> <div style="border: 1px solid black; background-color: #f0f0f0; padding: 2px; text-align: center;">EPA Event Time Value (low byte)</div>					
<table border="1" style="width: 100%; border-collapse: collapse;"> <thead> <tr> <th style="width: 15%;">Bit Number</th> <th>Function</th> </tr> </thead> <tbody> <tr> <td style="text-align: center;">15:0</td> <td>EPA Event Time Value Write the desired compare event time to this register.</td> </tr> </tbody> </table>		Bit Number	Function	15:0	EPA Event Time Value Write the desired compare event time to this register.
Bit Number	Function				
15:0	EPA Event Time Value Write the desired compare event time to this register.				

Table C-11. COMP_x_TIME Addresses and Reset Values

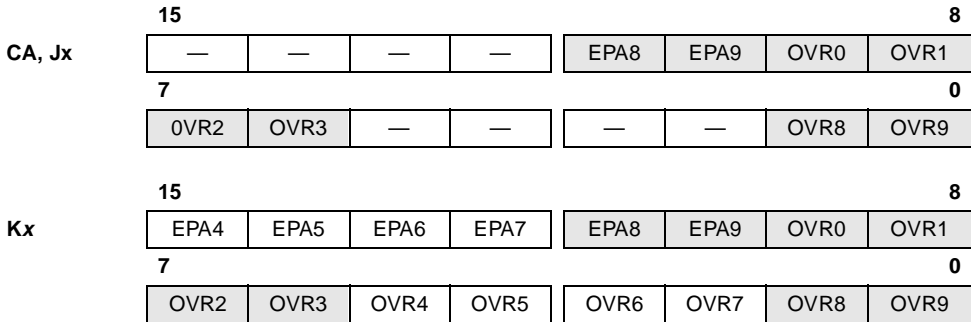
Register	Address	Reset Value
COMP0_TIME	1F8AH	XXXXH
COMP1_TIME	1F8EH	XXXXH

EPA_MASK

EPA_MASK

Address: 1FA0H
Reset State: 0000H

The EPA interrupt mask (EPA_MASK) register enables or disables (masks) interrupts associated with the multiplexed EPAx interrupt.



Bit Number	Function
15:0 [†]	Setting a bit enables the corresponding interrupt as a multiplexed EPAx interrupt source. The multiplexed EPAx interrupt is enabled by setting its interrupt enable bit in the interrupt mask register (INT_MASK.0 = 1).

[†] Bits 2–5 and 12–15 are reserved on the 8XC196CA, Jx devices. For compatibility with future devices, write zeros to these bits.

EPA_MASK1

EPA_MASK1

Address: 1FA4H
Reset State: 00H

The EPA interrupt mask 1 (EPA_MASK1) register enables or disables (masks) interrupts associated with the EPAX interrupt.



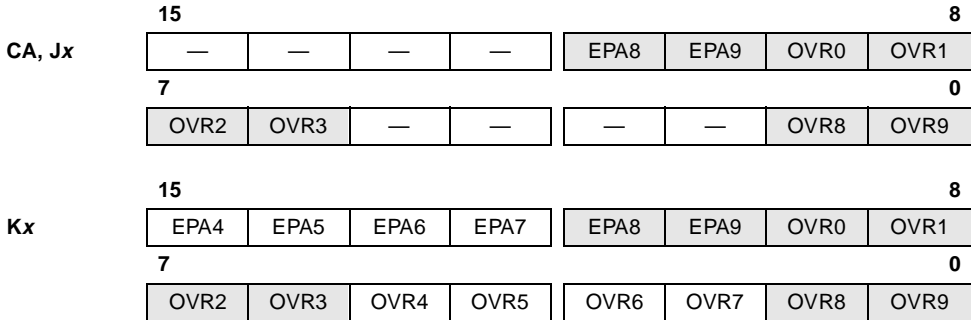
Bit Number	Function
7:4	Reserved; for compatibility with future devices, write zeros to these bits.
3:0	Setting a bit enables the corresponding interrupt as a multiplexed EPAX interrupt source. The multiplexed EPAX interrupt is enabled by setting its interrupt enable bit in the interrupt mask register (INT_MASK.0 = 1).

EPA_PEND

EPA_PEND

Address: 1FA2H
Reset State: 0000H

When hardware detects a pending EPAn interrupt, it sets the corresponding bit in EPA interrupt pending (EPA_PEND or EPA_PEND1) registers. The EPAIPV register contains a number that identifies the highest priority, active, multiplexed interrupt source. When EPAIPV is read, the EPA interrupt pending bit associated with the EPAIPV priority value is cleared.



Bit Number	Function
15:0†	Any set bit indicates that the corresponding EPAn interrupt source is pending. The bit is cleared when the EPA interrupt priority vector register (EPAIPV) is read.

† Bits 2–5 and 12–15 are reserved on the 8XC196CA, Jx devices. For compatibility with future devices, write zeros to these bits.

EPA_PEND1

EPA_PEND1

Address: 1FA6H
 Reset State: 00H

When hardware detects a pending EPAn interrupt, it sets the corresponding bit in EPA interrupt pending (EPA_PEND or EPA_PEND1) registers. The EPAIPV register contains a number that identifies the highest priority, active, multiplexed interrupt source. When EPAIPV is read, the EPA interrupt pending bit associated with the EPAIPV priority value is cleared.



Bit Number	Function
7:4	Reserved; always write as zeros.
3:0	Any set bit indicates that the corresponding EPAn interrupt source is pending. The bit is cleared when the EPA interrupt priority vector register (EPAIPV) is read.

EPAx_CON

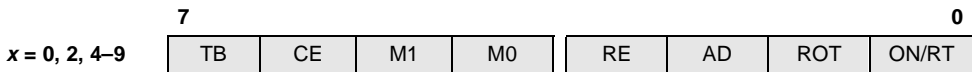
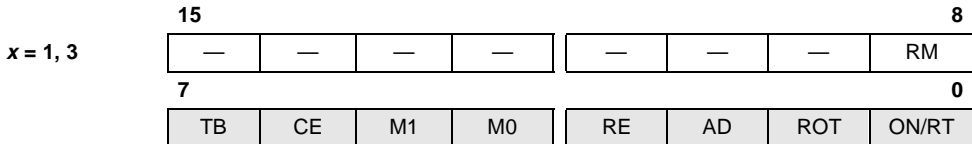
EPAx_CON

x = 0–9 (8XC196Kx)

x = 0–3, 8, 9 (8XC196CA, Jx)

Address: Table C-12
Reset State:

The EPA control (EPAx_CON) registers control the functions of their assigned capture/compare channels. The registers for EPA0, EPA2, and EPA4–9 are identical. The registers for EPA1 and EPA3 have an additional bit, the remap bit. This added bit (bit 8) requires an additional byte, so EPA1_CON and EPA3_CON must be addressed as words, while the others can be addressed as bytes.



Bit Number	Bit Mnemonic	Function
15:9†	—	Reserved; always write as zeros.
8†	RM	Remap Feature The Remap feature applies to the compare mode of the EPA1 and EPA3 only. When the remap feature of EPA1 is enabled, EPA capture/compare channel 0 shares output pin EPA1 with EPA capture/compare channel 1. When the remap feature of EPA3 is enabled, EPA capture/compare channel 2 shares output pin EPA3 with EPA capture/compare channel 3. 0 = remap feature disabled 1 = remap feature enabled
7	TB	Time Base Select Specifies the reference timer. 0 = Timer 2 is the reference timer and Timer 1 is the opposite timer 1 = Timer 1 is the reference timer and Timer 2 is the opposite timer A compare event (start of an A/D conversion; clearing, setting, or toggling an output pin; and/or resetting either timer) occurs when the reference timer matches the time programmed in the event-time register. When a capture event (falling edge, rising edge, or an edge change on the EPAx pin) occurs, the reference timer value is saved in the EPA event-time register (EPAx_TIME).
6	CE	Compare Enable Determines whether the EPA channel operates in capture or compare mode. 0 = capture mode 1 = compare mode

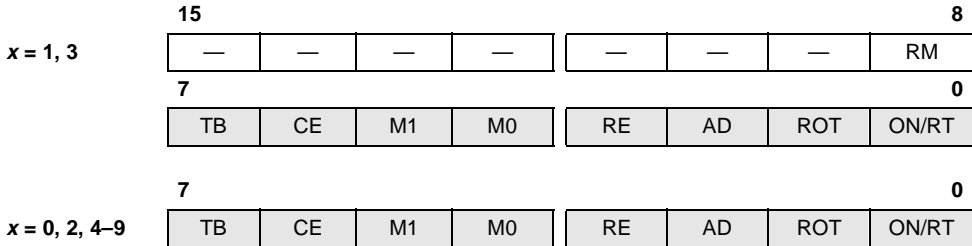
† These bits apply to the EPA1_CON and EPA3_CON registers only.

EPA_x_CON

EPA_x_CON (Continued)
x = 0–9 (8XC196Kx)
x = 0–3, 8, 9 (8XC196CA, Jx)

Address: Table C-12
 Reset State:

The EPA control (EPA_x_CON) registers control the functions of their assigned capture/compare channels. The registers for EPA0, EPA2, and EPA4–9 are identical. The registers for EPA1 and EPA3 have an additional bit, the remap bit. This added bit (bit 8) requires an additional byte, so EPA1_CON and EPA3_CON must be addressed as words, while the others can be addressed as bytes.



Bit Number	Bit Mnemonic	Function																														
5:4	M1:0	EPA Mode Select In capture mode, specifies the type of event that triggers an input capture. In compare mode, specifies the action that the EPA executes when the reference timer matches the event time. <table style="margin-left: 20px; border: none;"> <tr> <td style="text-align: right;">M1</td> <td style="text-align: right;">M0</td> <td>Capture Mode Event</td> </tr> <tr> <td>0</td> <td>0</td> <td>no capture</td> </tr> <tr> <td>0</td> <td>1</td> <td>capture on falling edge</td> </tr> <tr> <td>1</td> <td>0</td> <td>capture on rising edge</td> </tr> <tr> <td>1</td> <td>1</td> <td>capture on either edge</td> </tr> <tr> <td style="text-align: right;">M1</td> <td style="text-align: right;">M0</td> <td>Compare Mode Action</td> </tr> <tr> <td>0</td> <td>0</td> <td>no output</td> </tr> <tr> <td>0</td> <td>1</td> <td>clear output pin</td> </tr> <tr> <td>1</td> <td>0</td> <td>set output pin</td> </tr> <tr> <td>1</td> <td>1</td> <td>toggle output pin</td> </tr> </table>	M1	M0	Capture Mode Event	0	0	no capture	0	1	capture on falling edge	1	0	capture on rising edge	1	1	capture on either edge	M1	M0	Compare Mode Action	0	0	no output	0	1	clear output pin	1	0	set output pin	1	1	toggle output pin
M1	M0	Capture Mode Event																														
0	0	no capture																														
0	1	capture on falling edge																														
1	0	capture on rising edge																														
1	1	capture on either edge																														
M1	M0	Compare Mode Action																														
0	0	no output																														
0	1	clear output pin																														
1	0	set output pin																														
1	1	toggle output pin																														
3	RE	Re-enable Re-enable applies to the compare mode only. It allows a compare event to continue to execute each time the event-time register (EPA _x _TIME) matches the reference timer rather than only upon the first time match. 0 = compare function is disabled after a single event 1 = compare function always enabled																														
2	AD	A/D Conversion Allows the EPA to start an A/D conversion that has been previously set up in the A/D control registers. To use this feature, you must select the EPA as the conversion source in the AD_CONTROL register. 0 = causes no A/D action 1 = EPA capture or compare event triggers an A/D conversion																														

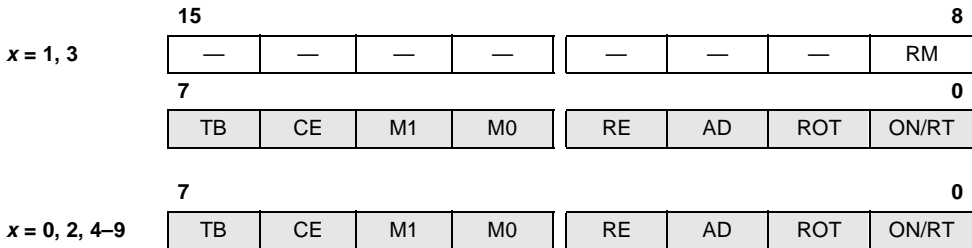
† These bits apply to the EPA1_CON and EPA3_CON registers only.

EPAx_CON

EPAx_CON (Continued)
x = 0–9 (8XC196Kx)
x = 0–3, 8, 9 (8XC196CA, Jx)

Address: Table C-12
 Reset State:

The EPA control (EPAx_CON) registers control the functions of their assigned capture/compare channels. The registers for EPA0, EPA2, and EPA4–9 are identical. The registers for EPA1 and EPA3 have an additional bit, the remap bit. This added bit (bit 8) requires an additional byte, so EPA1_CON and EPA3_CON must be addressed as words, while the others can be addressed as bytes.



Bit Number	Bit Mnemonic	Function
1	ROT	Reset Opposite Timer Controls different functions for capture and compare modes. In Capture Mode: 0 = causes no action 1 = resets the opposite timer In Compare Mode: ROT selects the timer that is to be reset if the RT bit is set: 0 = selects base timer 1 = selects opposite timer The TB bit (bit 7) selects which timer is the reference timer and which timer is the opposite timer.
0	ON/RT	Overwrite New/Reset Timer The ON/RT bit functions as overwrite new in capture mode and reset timer in compare mode. In Capture Mode (ON): An overrun error is generated when an input capture occurs while the event-time register (EPAx_TIME) and its buffer are both full. When an overrun occurs, the ON bit determines whether old data is overwritten or new data is ignored: 0 = ignores new data 1 = overwrites old data in the buffer In Compare Mode (RT): 0 = disables the reset function 1 = resets the ROT-selected timer

† These bits apply to the EPA1_CON and EPA3_CON registers only.

EPAx_CON

Table C-12. EPAx_CON Addresses and Reset Values

Register	Address	Reset Value	Register	Address	Reset Value
EPA0_CON	1F60H	00H	EPA5_CON†	1F74H	00H
EPA1_CON	1F64H	F700H	EPA6_CON†	1F78H	00H
EPA2_CON	1F68H	00H	EPA7_CON	1F7CH	00H
EPA3_CON	1F6CH	F700H	EPA8_CON	1F80H	00H
EPA4_CON†	1F70H	00H	EPA9_CON	1F84H	00H

† These registers are available on the 8XC196Kx devices only.

EPAx_TIME

EPAx_TIME		Address: Table C-13
x = 0–9 (8XC196Kx)		Reset State:
x = 0–3, 8, 9 (87C196CA, 8XC196Jx)		
<p>The EPA time (EPAx_TIME) registers are the event-time registers for the EPA channels. In capture mode, the value of the reference timer is captured in EPAx_TIME when an input transition occurs. Each event-time register is buffered, allowing the storage of two capture events at once. In compare mode, the EPA triggers a compare event when the reference timer matches the value in EPAx_TIME. EPAx_TIME is not buffered for compare mode.</p>		
15		8
EPA Timer Value (high byte)		
7		0
EPA Timer Value (low byte)		
Bit Number	Function	
15:0	<p>EPA Time Value</p> <p>When an EPA channel is configured for capture mode, this register contains the value of the reference timer when the specified event occurred.</p> <p>When an EPA channel is configured for compare mode, write the compare event time to this register.</p>	

Table C-13. EPAx_TIME Addresses and Reset Values

Register	Address	Reset Value	Register	Address	Reset Value
EPA0_TIME	1F62H	XXXXH	EPA5_TIME†	1F76H	XXXXH
EPA1_TIME	1F66H	XXXXH	EPA6_TIME†	1F7AH	XXXXH
EPA2_TIME	1F6AH	XXXXH	EPA7_TIME†	1F7EH	XXXXH
EPA3_TIME	1F6EH	XXXXH	EPA8_TIME	1F82H	XXXXH
EPA4_TIME†	1F72H	XXXXH	EPA9_TIME	1F86H	XXXXH

† These registers are available on the 8XC196Kx devices only.

EPAIPV

EPAIPV

Address: 1FA8H
Reset State: 00H

When an EPAX interrupt occurs, the EPA interrupt priority vector register (EPAIPV) contains a number that identifies the highest priority, active, multiplexed interrupt source (see Table C-14).

EPAIPV allows software to branch via the TIJMP instruction to the correct interrupt service routine when EPAX is activated. Reading EPAIPV clears the EPA pending bit for the interrupt associated with the value in EPAIPV. When all the EPA pending bits are cleared, the EPAX pending bit is also cleared.

7 0



Bit Number	Bit Mnemonic	Function
5:7	—	Reserved; always write as zeros.
4:0	PV4:0	Priority Vector These bits contain a number from 01H to 14H corresponding to the highest-priority active interrupt source. This value, when used with the TIJMP instruction, allows software to branch to the correct interrupt service routine.

Table C-14. EPA Interrupt Priority Vectors

Value	Interrupt	Value	Interrupt	Value	Interrupt
14H	EPA4 [†]	0DH	OVR1	06H	OVR8
13H	EPA5 [†]	0CH	OVR2	05H	OVR9
12H	EPA6 [†]	0BH	OVR3	04H	COMP0
11H	EPA7 [†]	0AH	OVR4 [†]	03H	COMP1
10H	EPA8	09H	OVR5 [†]	02H	OVRTM1
0FH	EPA9	08H	OVR6 [†]	01H	OVRTM2
0EH	OVR0	07H	OVR7 [†]	00H	None

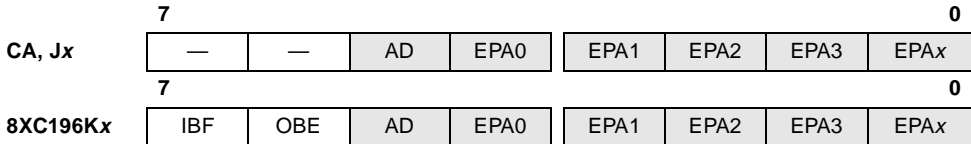
[†] These interrupts apply to the 8XC196Kx devices only.

INT_MASK

INT_MASK

Address: 08H
Reset State: 00H

The interrupt mask (INT_MASK) register enables or disables (masks) individual interrupts. (The EI and DI instructions enable and disable servicing of all maskable interrupts.) INT_MASK is the low byte of the program status word (PSW). PUSHF or PUSHA saves the contents of this register onto the stack and then clears this register. Interrupt calls cannot occur immediately following this instruction. POPF or POPA restores it.



Bit Number	Function																											
7:0 [†]	<p>Setting this bit enables the corresponding interrupt. The standard interrupt vector locations are as follows:</p> <table style="width: 100%; border-collapse: collapse;"> <thead> <tr> <th style="text-align: left;">Bit Mnemonic</th> <th style="text-align: left;">Interrupt</th> <th style="text-align: left;">Standard Vector</th> </tr> </thead> <tbody> <tr> <td>IBF (Kx)</td> <td>Slave Port Input Buffer Full</td> <td>200EH</td> </tr> <tr> <td>OBE (Kx)</td> <td>Slave Port Output Buffer Empty</td> <td>200CH</td> </tr> <tr> <td>AD</td> <td>A/D Conversion Complete</td> <td>200AH</td> </tr> <tr> <td>EPA0</td> <td>EPA Capture/Compare Channel 0</td> <td>2008H</td> </tr> <tr> <td>EPA1</td> <td>EPA Capture/Compare Channel 1</td> <td>2006H</td> </tr> <tr> <td>EPA2</td> <td>EPA Capture/Compare Channel 2</td> <td>2004H</td> </tr> <tr> <td>EPA3</td> <td>EPA Capture/Compare Channel 3</td> <td>2002H</td> </tr> <tr> <td>EPAx^{††}</td> <td>Multiplexed EPA</td> <td>2000H</td> </tr> </tbody> </table> <p>^{††} EPA 4–9 capture/compare channel events, EPA 0–1 compare channel events, EPA 0–9 capture/compare overruns, and timer overflows can generate this multiplexed interrupt. The EPA mask and pending registers decode the EPAx interrupt. Write the EPA mask registers (EPA_MASK and EPA_MASK1) to enable the interrupt sources; read the EPA pending registers (EPA_PEND and EPA_PEND1) to determine which source caused the interrupt.</p>	Bit Mnemonic	Interrupt	Standard Vector	IBF (Kx)	Slave Port Input Buffer Full	200EH	OBE (Kx)	Slave Port Output Buffer Empty	200CH	AD	A/D Conversion Complete	200AH	EPA0	EPA Capture/Compare Channel 0	2008H	EPA1	EPA Capture/Compare Channel 1	2006H	EPA2	EPA Capture/Compare Channel 2	2004H	EPA3	EPA Capture/Compare Channel 3	2002H	EPAx ^{††}	Multiplexed EPA	2000H
Bit Mnemonic	Interrupt	Standard Vector																										
IBF (Kx)	Slave Port Input Buffer Full	200EH																										
OBE (Kx)	Slave Port Output Buffer Empty	200CH																										
AD	A/D Conversion Complete	200AH																										
EPA0	EPA Capture/Compare Channel 0	2008H																										
EPA1	EPA Capture/Compare Channel 1	2006H																										
EPA2	EPA Capture/Compare Channel 2	2004H																										
EPA3	EPA Capture/Compare Channel 3	2002H																										
EPAx ^{††}	Multiplexed EPA	2000H																										

[†] Bits 6–7 are reserved on the 87C196CA and 8XC196Jx devices. For compatibility with future devices, write zeros to these bits.

INT_MASK1

INT_MASK1

Address: 13H
Reset State: 00H

The interrupt mask 1 (INT_MASK1) register enables or disables (masks) individual interrupts. (The EI and DI instructions enable and disable servicing of all maskable interrupts.) INT_MASK1 can be read from or written to as a byte register. PUSHA saves this register on the stack and POPA restores it.

	7								0
87C196CA	NMI	EXTINT	CAN	RI	TI	SSIO1	SSIO0	—	
	7								0
8XC196Jx	—	EXTINT	—	RI	TI	SSIO1	SSIO0	—	
	7								0
8XC196Kx	NMI	EXTINT	—	RI	TI	SSIO1	SSIO0	CBF	

Bit Number	Function																											
7:0 [†]	<p>Setting this bit enables the corresponding interrupt.</p> <p>The standard interrupt vector locations are as follows:</p> <table border="1"> <thead> <tr> <th>Bit Mnemonic</th> <th>Interrupt</th> <th>Standard Vector</th> </tr> </thead> <tbody> <tr> <td>NMI^{††}</td> <td>Nonmaskable Interrupt</td> <td>203EH</td> </tr> <tr> <td>EXTINT</td> <td>EXTINT Pin</td> <td>203CH</td> </tr> <tr> <td>CAN (CA)</td> <td>CAN Peripheral</td> <td>203AH</td> </tr> <tr> <td>RI</td> <td>SIO Receive</td> <td>2038H</td> </tr> <tr> <td>TI</td> <td>SIO Transmit</td> <td>2036H</td> </tr> <tr> <td>SSIO1</td> <td>SSIO 1 Transfer</td> <td>2034H</td> </tr> <tr> <td>SSIO0</td> <td>SSIO 0 Transfer</td> <td>2032H</td> </tr> <tr> <td>CBF (Kx)</td> <td>Slave Port Command Buffer Full</td> <td>2030H</td> </tr> </tbody> </table>	Bit Mnemonic	Interrupt	Standard Vector	NMI ^{††}	Nonmaskable Interrupt	203EH	EXTINT	EXTINT Pin	203CH	CAN (CA)	CAN Peripheral	203AH	RI	SIO Receive	2038H	TI	SIO Transmit	2036H	SSIO1	SSIO 1 Transfer	2034H	SSIO0	SSIO 0 Transfer	2032H	CBF (Kx)	Slave Port Command Buffer Full	2030H
Bit Mnemonic	Interrupt	Standard Vector																										
NMI ^{††}	Nonmaskable Interrupt	203EH																										
EXTINT	EXTINT Pin	203CH																										
CAN (CA)	CAN Peripheral	203AH																										
RI	SIO Receive	2038H																										
TI	SIO Transmit	2036H																										
SSIO1	SSIO 1 Transfer	2034H																										
SSIO0	SSIO 0 Transfer	2032H																										
CBF (Kx)	Slave Port Command Buffer Full	2030H																										

[†] Bit 5 is reserved on the 8XC196Jx, Kx devices and bit 0 is reserved on the 87C196CA, 8XC196Jx devices. For compatibility with future devices, always write zeros to these bits.

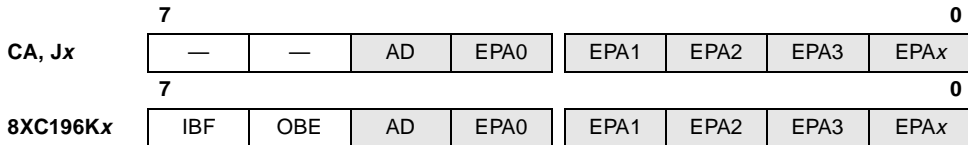
^{††} NMI is always enabled. This nonfunctional mask bit exists for design symmetry with the INT_PEND1 register. Always write zero to this bit.

INT_PEND

INT_PEND

Address: 09H
Reset State: 00H

When hardware detects an interrupt request, it sets the corresponding bit in the interrupt pending (INT_PEND or INT_PEND1) registers. When the vector is taken, the hardware clears the pending bit. Software can generate an interrupt by setting the corresponding interrupt pending bit.



Bit Number	Function																											
7:0 [†]	<p>When set, this bit indicates that the corresponding interrupt is pending. The interrupt bit is cleared when processing transfers to the corresponding interrupt vector.</p> <p>The standard interrupt vector locations are as follows:</p> <table border="1" style="width: 100%; border-collapse: collapse; margin-top: 10px;"> <thead> <tr> <th style="text-align: left;">Bit Mnemonic</th> <th style="text-align: left;">Interrupt</th> <th style="text-align: left;">Standard Vector</th> </tr> </thead> <tbody> <tr> <td>IBF (Kx)</td> <td>Slave Port Input Buffer Full</td> <td>200EH</td> </tr> <tr> <td>OBE (Kx)</td> <td>Slave Port Output Buffer Empty</td> <td>200CH</td> </tr> <tr> <td>AD</td> <td>A/D Conversion Complete</td> <td>200AH</td> </tr> <tr> <td>EPA0</td> <td>EPA Capture/Compare Channel 0</td> <td>2008H</td> </tr> <tr> <td>EPA1</td> <td>EPA Capture/Compare Channel 1</td> <td>2006H</td> </tr> <tr> <td>EPA2</td> <td>EPA Capture/Compare Channel 2</td> <td>2004H</td> </tr> <tr> <td>EPA3</td> <td>EPA Capture/Compare Channel 3</td> <td>2002H</td> </tr> <tr> <td>EPAx^{††}</td> <td>Multiplexed EPA</td> <td>2000H</td> </tr> </tbody> </table> <p>^{††} EPA 4–9 capture/compare channel events, EPA 0–1 compare channel events, EPA 0–9 capture/compare overruns, and timer overflows can generate this multiplexed interrupt. The EPA mask and pending registers decode the EPAx interrupt. Write the EPA mask registers to enable the interrupt sources; read the EPA pending registers (EPA_PEND and EPA_PEND1) to determine which source caused the interrupt.</p>	Bit Mnemonic	Interrupt	Standard Vector	IBF (Kx)	Slave Port Input Buffer Full	200EH	OBE (Kx)	Slave Port Output Buffer Empty	200CH	AD	A/D Conversion Complete	200AH	EPA0	EPA Capture/Compare Channel 0	2008H	EPA1	EPA Capture/Compare Channel 1	2006H	EPA2	EPA Capture/Compare Channel 2	2004H	EPA3	EPA Capture/Compare Channel 3	2002H	EPAx ^{††}	Multiplexed EPA	2000H
Bit Mnemonic	Interrupt	Standard Vector																										
IBF (Kx)	Slave Port Input Buffer Full	200EH																										
OBE (Kx)	Slave Port Output Buffer Empty	200CH																										
AD	A/D Conversion Complete	200AH																										
EPA0	EPA Capture/Compare Channel 0	2008H																										
EPA1	EPA Capture/Compare Channel 1	2006H																										
EPA2	EPA Capture/Compare Channel 2	2004H																										
EPA3	EPA Capture/Compare Channel 3	2002H																										
EPAx ^{††}	Multiplexed EPA	2000H																										

[†] Bits 6–7 are reserved on the 87C196CA, 8XC196Jx devices. For compatibility with future devices, write zeros to these bits.

INT_PEND1

INT_PEND1

Address: 12H
Reset State: 00H

When hardware detects a pending interrupt, it sets the corresponding bit in the interrupt pending (INT_PEND or INT_PEND1) registers. When the vector is taken, the hardware clears the pending bit. Software can generate an interrupt by setting the corresponding interrupt pending bit.

	7							8
87C196CA	NMI	EXTINT	CAN	RI	TI	SSIO1	SSIO0	—
	7							0
8XC196Jx	—	EXTINT	—	RI	TI	SSIO1	SSIO0	—
	7							0
8XC196Kx	NMI	EXTINT	—	RI	TI	SSIO1	SSIO0	CBF

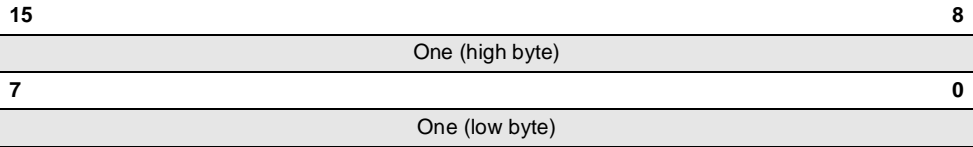
Bit Number	Function																											
7:0 [†]	<p>When set, this bit indicates that the corresponding interrupt is pending. The interrupt bit is cleared when processing transfers to the corresponding interrupt vector.</p> <p>The standard interrupt vector locations are as follows:</p> <table border="1" style="width: 100%; border-collapse: collapse;"> <thead> <tr> <th style="text-align: left;">Bit Mnemonic</th> <th style="text-align: left;">Interrupt</th> <th style="text-align: left;">Standard Vector</th> </tr> </thead> <tbody> <tr> <td>NMI</td> <td>Nonmaskable Interrupt</td> <td>203EH</td> </tr> <tr> <td>EXTINT</td> <td>EXTINT Pin</td> <td>203CH</td> </tr> <tr> <td>CAN (CA)^{††}</td> <td>CAN Peripheral</td> <td>203AH</td> </tr> <tr> <td>RI</td> <td>SIO Receive</td> <td>2038H</td> </tr> <tr> <td>TI</td> <td>SIO Transmit</td> <td>2036H</td> </tr> <tr> <td>SSIO1</td> <td>SSIO 1 Transfer</td> <td>2034H</td> </tr> <tr> <td>SSIO0</td> <td>SSIO 0 Transfer</td> <td>2032H</td> </tr> <tr> <td>CBF (Kx)</td> <td>Slave Port Command Buffer Full</td> <td>2030H</td> </tr> </tbody> </table> <p>^{††} All CAN-controller interrupts are multiplexed into the single CAN interrupt input (INT13). The interrupt service routine associated with INT13 must read the CAN interrupt pending register (CAN_INT) to determine the source of the interrupt request.</p>	Bit Mnemonic	Interrupt	Standard Vector	NMI	Nonmaskable Interrupt	203EH	EXTINT	EXTINT Pin	203CH	CAN (CA) ^{††}	CAN Peripheral	203AH	RI	SIO Receive	2038H	TI	SIO Transmit	2036H	SSIO1	SSIO 1 Transfer	2034H	SSIO0	SSIO 0 Transfer	2032H	CBF (Kx)	Slave Port Command Buffer Full	2030H
Bit Mnemonic	Interrupt	Standard Vector																										
NMI	Nonmaskable Interrupt	203EH																										
EXTINT	EXTINT Pin	203CH																										
CAN (CA) ^{††}	CAN Peripheral	203AH																										
RI	SIO Receive	2038H																										
TI	SIO Transmit	2036H																										
SSIO1	SSIO 1 Transfer	2034H																										
SSIO0	SSIO 0 Transfer	2032H																										
CBF (Kx)	Slave Port Command Buffer Full	2030H																										

[†] Bit 7 is reserved on the 8XC196Jx devices, bit 5 is reserved on the 8XC196Jx, Kx devices, and bit 0 is reserved on the 87C196CA, 8XC196Jx devices. For compatibility with future devices, always write zeros to these bits.

ONES_REG**ONES_REG**

Address: 02H
 Reset State: FFFFH

The two-byte ones register (ONES_REG) is always equal to FFFFH. It is useful as a fixed source of all ones for comparison operations.

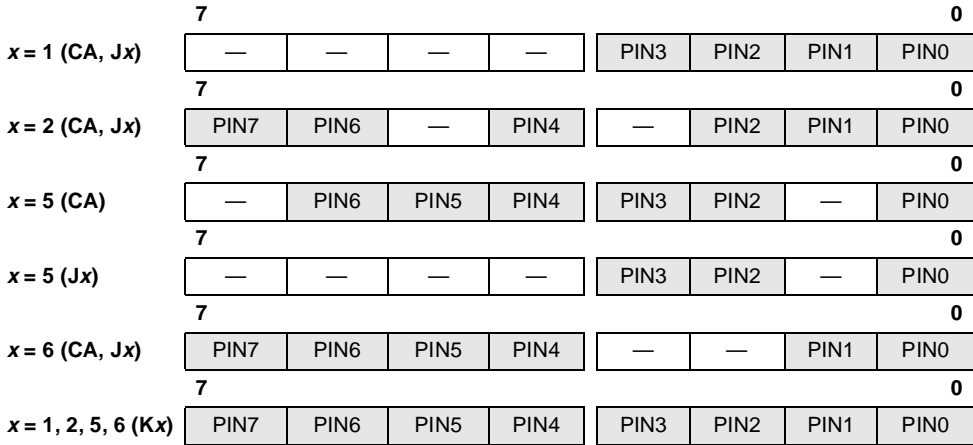


Bit Number	Function
15:0	One These bits are always equal to FFFFH.

Px_DIR
Px_DIR
x = 1, 2, 5, 6

 Address: Table C-15
 Reset State:

Each pin of port *x* can operate in any of the standard I/O modes of operation: complementary output, open-drain output, or high-impedance input. The port *x* I/O direction (Px_DIR) register determines the I/O mode for each port *x* pin. The register settings for an open-drain output or a high-impedance input are identical. An open-drain output configuration requires an external pull-up. A high-impedance input configuration requires that the corresponding bit in Px_REG be set.



Bit Number	Bit Mnemonic	Function
7:0	PIN7:0	Port <i>x</i> Pin <i>y</i> Direction This bit selects the Px.y direction: 1 = input/open-drain output (input, output, or bidirectional) 0 = complementary output (output only)

Table C-15. Px_DIR Addresses and Reset Values

Register	Address	Reset Value
P1_DIR	1FD2H	FFH
P2_DIR	1FCBH	7FH
P5_DIR	1FF3H	FFH
P6_DIR	1FD3H	FFH

Px_MODE

Px_MODE	x = 1, 2, 5, 6	Address: Table C-16 Reset State:																			
<p>Each bit in the port x mode (Px_MODE) register determines whether the corresponding pin functions as a standard I/O port pin or is used for a special-function signal.</p>																					
x = 1 (CA, Jx)	<table style="width: 100%; border-collapse: collapse;"> <tr> <td style="text-align: center; border: none;">7</td> <td colspan="8" style="border: none;"></td> <td style="text-align: center; border: none;">0</td> </tr> <tr> <td style="border: none;"></td> <td style="border: 1px solid black; width: 25px; height: 20px; text-align: center;">—</td> <td style="border: 1px solid black; width: 25px; height: 20px; text-align: center;">—</td> <td style="border: 1px solid black; width: 25px; height: 20px; text-align: center;">—</td> <td style="border: 1px solid black; width: 25px; height: 20px; text-align: center;">—</td> <td style="border: 1px solid black; width: 25px; height: 20px; text-align: center;">PIN3</td> <td style="border: 1px solid black; width: 25px; height: 20px; text-align: center;">PIN2</td> <td style="border: 1px solid black; width: 25px; height: 20px; text-align: center;">PIN1</td> <td style="border: 1px solid black; width: 25px; height: 20px; text-align: center;">PIN0</td> <td style="border: none;"></td> </tr> </table>	7									0		—	—	—	—	PIN3	PIN2	PIN1	PIN0	
7									0												
	—	—	—	—	PIN3	PIN2	PIN1	PIN0													
x = 2 (CA, Jx)	<table style="width: 100%; border-collapse: collapse;"> <tr> <td style="text-align: center; border: none;">7</td> <td colspan="8" style="border: none;"></td> <td style="text-align: center; border: none;">0</td> </tr> <tr> <td style="border: none;"></td> <td style="border: 1px solid black; width: 25px; height: 20px; text-align: center;">PIN7</td> <td style="border: 1px solid black; width: 25px; height: 20px; text-align: center;">PIN6</td> <td style="border: 1px solid black; width: 25px; height: 20px; text-align: center;">—</td> <td style="border: 1px solid black; width: 25px; height: 20px; text-align: center;">PIN4</td> <td style="border: 1px solid black; width: 25px; height: 20px; text-align: center;">—</td> <td style="border: 1px solid black; width: 25px; height: 20px; text-align: center;">PIN2</td> <td style="border: 1px solid black; width: 25px; height: 20px; text-align: center;">PIN1</td> <td style="border: 1px solid black; width: 25px; height: 20px; text-align: center;">PIN0</td> <td style="border: none;"></td> </tr> </table>	7									0		PIN7	PIN6	—	PIN4	—	PIN2	PIN1	PIN0	
7									0												
	PIN7	PIN6	—	PIN4	—	PIN2	PIN1	PIN0													
x = 5 (CA)	<table style="width: 100%; border-collapse: collapse;"> <tr> <td style="text-align: center; border: none;">7</td> <td colspan="8" style="border: none;"></td> <td style="text-align: center; border: none;">0</td> </tr> <tr> <td style="border: none;"></td> <td style="border: 1px solid black; width: 25px; height: 20px; text-align: center;">—</td> <td style="border: 1px solid black; width: 25px; height: 20px; text-align: center;">PIN6</td> <td style="border: 1px solid black; width: 25px; height: 20px; text-align: center;">PIN5</td> <td style="border: 1px solid black; width: 25px; height: 20px; text-align: center;">PIN4</td> <td style="border: 1px solid black; width: 25px; height: 20px; text-align: center;">PIN3</td> <td style="border: 1px solid black; width: 25px; height: 20px; text-align: center;">PIN2</td> <td style="border: 1px solid black; width: 25px; height: 20px; text-align: center;">—</td> <td style="border: 1px solid black; width: 25px; height: 20px; text-align: center;">PIN0</td> <td style="border: none;"></td> </tr> </table>	7									0		—	PIN6	PIN5	PIN4	PIN3	PIN2	—	PIN0	
7									0												
	—	PIN6	PIN5	PIN4	PIN3	PIN2	—	PIN0													
x = 5 (Jx)	<table style="width: 100%; border-collapse: collapse;"> <tr> <td style="text-align: center; border: none;">7</td> <td colspan="8" style="border: none;"></td> <td style="text-align: center; border: none;">0</td> </tr> <tr> <td style="border: none;"></td> <td style="border: 1px solid black; width: 25px; height: 20px; text-align: center;">—</td> <td style="border: 1px solid black; width: 25px; height: 20px; text-align: center;">—</td> <td style="border: 1px solid black; width: 25px; height: 20px; text-align: center;">—</td> <td style="border: 1px solid black; width: 25px; height: 20px; text-align: center;">—</td> <td style="border: 1px solid black; width: 25px; height: 20px; text-align: center;">PIN3</td> <td style="border: 1px solid black; width: 25px; height: 20px; text-align: center;">PIN2</td> <td style="border: 1px solid black; width: 25px; height: 20px; text-align: center;">—</td> <td style="border: 1px solid black; width: 25px; height: 20px; text-align: center;">PIN0</td> <td style="border: none;"></td> </tr> </table>	7									0		—	—	—	—	PIN3	PIN2	—	PIN0	
7									0												
	—	—	—	—	PIN3	PIN2	—	PIN0													
x = 6 (CA, Jx)	<table style="width: 100%; border-collapse: collapse;"> <tr> <td style="text-align: center; border: none;">7</td> <td colspan="8" style="border: none;"></td> <td style="text-align: center; border: none;">0</td> </tr> <tr> <td style="border: none;"></td> <td style="border: 1px solid black; width: 25px; height: 20px; text-align: center;">PIN7</td> <td style="border: 1px solid black; width: 25px; height: 20px; text-align: center;">PIN6</td> <td style="border: 1px solid black; width: 25px; height: 20px; text-align: center;">PIN5</td> <td style="border: 1px solid black; width: 25px; height: 20px; text-align: center;">PIN4</td> <td style="border: 1px solid black; width: 25px; height: 20px; text-align: center;">—</td> <td style="border: 1px solid black; width: 25px; height: 20px; text-align: center;">—</td> <td style="border: 1px solid black; width: 25px; height: 20px; text-align: center;">PIN1</td> <td style="border: 1px solid black; width: 25px; height: 20px; text-align: center;">PIN0</td> <td style="border: none;"></td> </tr> </table>	7									0		PIN7	PIN6	PIN5	PIN4	—	—	PIN1	PIN0	
7									0												
	PIN7	PIN6	PIN5	PIN4	—	—	PIN1	PIN0													
x = 1, 2, 5, 6 (Kx)	<table style="width: 100%; border-collapse: collapse;"> <tr> <td style="text-align: center; border: none;">7</td> <td colspan="8" style="border: none;"></td> <td style="text-align: center; border: none;">0</td> </tr> <tr> <td style="border: none;"></td> <td style="border: 1px solid black; width: 25px; height: 20px; text-align: center;">PIN7</td> <td style="border: 1px solid black; width: 25px; height: 20px; text-align: center;">PIN6</td> <td style="border: 1px solid black; width: 25px; height: 20px; text-align: center;">PIN5</td> <td style="border: 1px solid black; width: 25px; height: 20px; text-align: center;">PIN4</td> <td style="border: 1px solid black; width: 25px; height: 20px; text-align: center;">PIN3</td> <td style="border: 1px solid black; width: 25px; height: 20px; text-align: center;">PIN2</td> <td style="border: 1px solid black; width: 25px; height: 20px; text-align: center;">PIN1</td> <td style="border: 1px solid black; width: 25px; height: 20px; text-align: center;">PIN0</td> <td style="border: none;"></td> </tr> </table>	7									0		PIN7	PIN6	PIN5	PIN4	PIN3	PIN2	PIN1	PIN0	
7									0												
	PIN7	PIN6	PIN5	PIN4	PIN3	PIN2	PIN1	PIN0													

Bit Number	Bit Mnemonic	Function
7:0	PIN7:0	Port x Pin y Mode This bit determines the mode of the corresponding port pin: 0 = standard I/O port pin 1 = special-function signal Table C-17 lists the special-function signals for each pin.

Table C-16. Px_MODE Addresses and Reset Values

Register	Address	Reset Value
P1_MODE	1FD0H	00H
P2_MODE	1FC9H	80H
P5_MODE	1FF1H	80H
P6_MODE	1FD1H	00H

Px_MODE
Table C-17. Special-function Signals for Ports 1, 2, 5, 6

Port 1	
Pin	Special-function Signal
P1.0	EPA0/T2CLK
P1.1	EPA1
P1.2	EPA2/T2DIR
P1.3	EPA3
P1.4	EPA4 (8XC196Kx)
P1.5	EPA5 (8XC196Kx)
P1.6	EPA6 (8XC196Kx)
P1.7	EPA7 (8XC196Kx)

Port 2	
Pin	Special-function Signal
P2.0	TXD/PVER
P2.1	RXD/PALE#
P2.2	EXTINT/PROG#
P2.3	BREQ# (8XC196Kx)
P2.4	AINC# (87C196CA, 8XC196Jx)
	INTOUT#/AINC# (8XC196Kx)
P2.5	HOLD# (8XC196Kx)
P2.6	ONCE#/CPVER (87C196CA, 8XC196Jx)
	HLDA#/ONCE#/CPVER (8XC196Kx)
P2.7	CLKOUT/PACT#

Port 5	
Pin	Special-function Signal
P5.0	ALE/ADV# (87C196CA, 8XC196Jx)
	ALE/ADV#/SLPALE (8XC196Kx)
P5.1	INST/SLPCS# (8XC196Kx)
P5.2	WR#/WRL# (87C196CA, 8XC196Jx)
	WR#/WRL#/SLPWR# (8XC196Kx)
P5.3	RD# (87C196CA, 8XC196Jx)
	RD#/SLPRD# (8XC196Kx)
P5.4	— (87C196CA)
	SLPINT (8XC196Kx)
P5.5	BHE#/WRH# (87C196CA, 8XC196Kx)
P5.6	READY (87C196CA, 8XC196Kx)
P5.7	BUSWIDTH (8XC196Kx)

Port 6	
Pin	Special-function Signal
P6.0	EPA8/COMP0
P6.1	EPA9/COMP1
P6.2	T1CLK (8XC196Kx)
P6.3	T1DIR (8XC196Kx)
P6.4	SC0
P6.5	SD0
P6.6	SC1
P6.7	SD1

Px_PIN

Px_PIN
x = 0–6

Address: Table C-18
 Reset State:

The port x pin input (Px_PIN) register contains the current state of each port pin, regardless of the pin mode setting.

	7									0
x = 0 (CA, Jx)	PIN7	PIN6	PIN5	PIN4	PIN3	PIN2	—	—		
	7									0
x = 1 (CA, Jx)	—	—	—	—	PIN3	PIN2	PIN1	PIN0		
	7									0
x = 2 (CA, Jx)	PIN7	PIN6	—	PIN4	—	PIN2	PIN1	PIN0		
	7									0
x = 3–4 (CA, Jx)	PIN7	PIN6	PIN5	PIN4	PIN3	PIN2	PIN1	PIN0		
	7									0
x = 5 (CA)	—	PIN6	PIN5	PIN4	PIN3	PIN2	—	PIN0		
	7									0
x = 5 (Jx)	—	—	—	—	PIN3	PIN2	—	PIN0		
	7									0
x = 6 (CA, Jx)	PIN7	PIN6	PIN5	PIN4	—	—	PIN1	PIN0		
	7									0
x = 0–6 (Kx)	PIN7	PIN6	PIN5	PIN4	PIN3	PIN2	PIN1	PIN0		

Bit Number	Bit Mnemonic	Function
7:0	PIN7:0	Port x Pin y Input Value This bit contains the current state of Px.y.

Table C-18. Px_PIN Addresses and Reset Values

Register	Address	Reset Value
P0_PIN	1FDAH	XXH
P1_PIN	1FD6H	XXH
P2_PIN	1FCFH	XXH
P3_PIN	1FFEh	XXH
P4_PIN	1FFFh	XXH
P5_PIN	1FF7H	XXH
P6_PIN	1FD7H	XXH

Px_REG

Px_REG
x = 1–6

Address: Table C-19
Reset State:

Px_REG contains data to be driven out by the respective pins. When a port pin is configured as an input, the corresponding bit in Px_REG must be set.

The effect of a write to Px_REG is seen on the pins only when the associated pins are configured as standard I/O port pins (Px_MODE.y = 0).

	7							0
x = 1 (CA, Jx)	—	—	—	—	PIN3	PIN2	PIN1	PIN0
	7							0
x = 2 (CA, Jx)	PIN7	PIN6	—	PIN4	—	PIN2	PIN1	PIN0
	7							0
x = 3–4 (CA, Jx)	PIN7	PIN6	PIN5	PIN4	PIN3	PIN2	PIN1	PIN0
	7							0
x = 5 (CA)	—	PIN6	PIN5	PIN4	PIN3	PIN2	—	PIN0
	7							0
x = 5 (Jx)	—	—	—	—	PIN3	PIN2	—	PIN0
	7							0
x = 6 (CA, Jx)	PIN7	PIN6	PIN5	PIN4	—	—	PIN1	PIN0
	7							0
x = 1–6 (Kx)	PIN7	PIN6	PIN5	PIN4	PIN3	PIN2	PIN1	PIN0

Bit Number	Bit Mnemonic	Function
7:0	PIN7:0	Port x Pin y Output To use Px.y for output, write the desired output data to this bit. To use Px.y for input, set this bit.

Table C-19. Px_REG Addresses and Reset Values

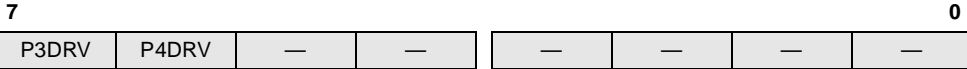
Register	Address	Reset Value
P1_REG	1FD4H	FFH
P2_REG	1FCDH	7FH
P3_REG	1FFCH	FFH
P4_REG	1FFDH	FFH
P5_REG	1FF5H	FFH
P6_REG	1FD5H	FFH

P34_DRV

P34_DRV

Address: 1FF4H
 Reset State: 00H

The port 3/4 complementary enable (P34_DRV) register controls whether the port is configured as complementary or open-drain outputs. In complementary operation, Ports 3 and 4 are driven high when a one is written to the P_x_REG (x = 3–4) register. This mode does not require ports 3 and 4 to be externally pulled high by pull-up resistors.



Bit Number	Bit Mnemonic	Function
7	P3DRV	Port 3 I/O Mode This bit controls whether port 3 is configured as complementary or open-drain outputs. 0 = selects open-drain operation 1 = selects complementary operation
6	P4DRV	Port 4 I/O Mode This bit controls whether port 4 is configured as complementary or open-drain outputs. 0 = selects open-drain operation 1 = selects complementary operation
5:0	—	Reserved; always write as zeros.

PPW (or SP_PPW)

PPW (or SP_PPW)

no direct access

The PPW register is loaded from the external EPROM (locations 14H and 15H) in auto programming mode. The SP_PPW register is loaded from the internal test ROM in serial port programming mode. The default pulse width for serial port programming is longer than required, so you should change the value before beginning to program the device. (See “Changing Serial Port Programming Defaults” on page 16-34.) The PPW_VALUE determines the programming pulse width, which must be at least 100 μs for successful programming.

15

8

1	PPW14	PPW13	PPW12	PPW11	PPW10	PPW9	PPW8
---	-------	-------	-------	-------	-------	------	------

7

0

PPW7	PPW6	PPW5	PPW4	PPW3	PPW2	PPW1	PPW0
------	------	------	------	------	------	------	------

Bit Number	Bit Mnemonic	Function
15	1	Set this bit for proper device operation.
14:0	PPW14:0	<p>PPW_VALUE.</p> <p>This value establishes the programming pulse width for auto programming or serial port programming. For a 100-μs pulse width, use the following formula and round the result to the next higher integer. For auto programming, write this value to the external EPROM (see “Auto Programming Procedure” on page 16-30). For serial port programming, write this value to the internal memory (see “Changing Serial Port Programming Defaults” on page 16-34).</p> $PPW_VALUE = (0.6944 \times F_{osc}) - 1$

PSW

PSW

no direct access

The processor status word (PSW) actually consists of two bytes. The high byte is the status word, which is described here; the low byte is the INT_MASK register. The status word contains one bit (PSW.1) that globally enables or disables servicing of all maskable interrupts, one bit (PSW.2) that enables or disables the peripheral transaction server (PTS), and six Boolean flags that reflect the state of a user's program.

The status word portion of the PSW cannot be accessed directly. To access the status word, push the value onto the stack (PUSHF), then pop the value to a register (POP *test_reg*). The PUSHF and PUSHA instructions save the PSW in the system stack and then clear it; POPF and POPA restore it.

15

8

Z	N	V	VT	C	PSE	I	ST
---	---	---	----	---	-----	---	----

7

0

See INT_MASK on page C-46

Bit Number	Bit Mnemonic	Function
7	Z	Zero Flag This flag is set to indicate that the result of an operation is zero. For add-with-carry and subtract-with-borrow operations, the flag is never set, but it is cleared if the result is non-zero. This way, the zero flag indicates the correct zero or non-zero result for multiple-precision calculations.
6	N	Negative Flag This flag is set to indicate that the result of an operation is negative. The flag is correct even if an overflow occurs. For all shift operations and the NORML instruction, the flag is set to equal the most-significant bit of the result, even if the shift count is zero.
5	V	Overflow Flag This flag is set to indicate that the result of an operation is too large to be represented correctly in the available space. For shift operations (SHL, SHLB, and SHLL), the flag is set if the most-significant bit of the operand changes during the shift.
4	VT	Overflow-trap Flag This flag is set when the overflow flag is set, but it is cleared only by the CLRVT, JVT, and JNVT instructions. This allows testing for a possible overflow condition at the end of a sequence of related arithmetic operations, which is generally more efficient than testing the overflow flag after each operation.
3	C	Carry Flag This flag is set to indicate an arithmetic carry or the last bit shifted out of an operand. It is cleared if a subtraction operation generates a borrow. Normally, the result is rounded up if the carry flag is set. The sticky bit flag allows a finer resolution in the rounding decision. (See the PSW flag descriptions in Appendix A for details.)

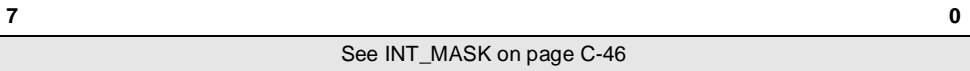
PSW

PSW (Continued)

no direct access

The processor status word (PSW) actually consists of two bytes. The high byte is the status word, which is described here; the low byte is the INT_MASK register. The status word contains one bit (PSW.1) that globally enables or disables servicing of all maskable interrupts, one bit (PSW.2) that enables or disables the peripheral transaction server (PTS), and six Boolean flags that reflect the state of a user's program.

The status word portion of the PSW cannot be accessed directly. To access the status word, push the value onto the stack (PUSHF), then pop the value to a register (POP *test_reg*). The PUSHF and PUSHA instructions save the PSW in the system stack and then clear it; POPF and POPA restore it.



Bit Number	Bit Mnemonic	Function
2	PSE	PTS Enable This bit globally enables or disables the peripheral transaction server (PTS). The EPTS instruction sets this bit; DPTS clears it. 1 = enable PTS 0 = disable PTS
1	I	Interrupt Disable (Global) This bit globally enables or disables the servicing of all <i>maskable interrupts</i> . The bits in INT_MASK and INT_MASK1 individually enable or disable the interrupts. The EI instruction sets this bit; DI clears it. 1 = enable interrupt servicing 0 = disable interrupt servicing
0	ST	Sticky Bit Flag This flag is set to indicate that, during a right shift, a "1" was shifted into the carry flag and then shifted out. It can be used with the carry flag to allow finer resolution in rounding decisions.

PTSEL

PTSEL

Address: 04H
Reset State: 0000H

The PTS select (PTSEL) register selects either a PTS microcode routine or a standard interrupt service routine for each interrupt requests. Setting a bit selects a PTS microcode routine; clearing a bit selects a standard interrupt service routine. When PTSCOUNT reaches zero, hardware clears the corresponding PTSEL bit. The PTSEL bit must be set manually to re-enable the PTS channel.

	15								8
87C196CA	—	EXTINT	CAN	RI	TI	SSIO1	SSIO0	—	
	7								0
	—	—	AD	EPA0	EPA1	EPA2	EPA3	EPA _x	
	15								8
8XC196Jx	—	EXTINT	—	RI	TI	SSIO1	SSIO0	—	
	7								0
	—	—	AD	EPA0	EPA1	EPA2	EPA3	EPA _x	
	15								8
8XC196Kx	—	EXTINT	—	RI	TI	SSIO1	SSIO0	CBF	
	7								0
	IBF	OBE	AD	EPA0	EPA1	EPA2	EPA3	EPA _x	

Bit Number	Function																																																
14:0 (Note 1)	<p>Setting this bit causes the corresponding interrupt to be handled by a PTS microcode routine.</p> <p>The PTS interrupt vector locations are as follows:</p> <table border="1"> <thead> <tr> <th>Bit Mnemonic</th> <th>Interrupt</th> <th>PTS Vector</th> </tr> </thead> <tbody> <tr> <td>EXTINT</td> <td>EXTINT pin</td> <td>205CH</td> </tr> <tr> <td>CAN (CA)[†]</td> <td>CAN Peripheral</td> <td>205AH</td> </tr> <tr> <td>RI</td> <td>SIO Receive</td> <td>2058H</td> </tr> <tr> <td>TI</td> <td>SIO Transmit</td> <td>2056H</td> </tr> <tr> <td>SSIO1</td> <td>SSIO 1 Transfer</td> <td>2054H</td> </tr> <tr> <td>SSIO0</td> <td>SSIO 0 Transfer</td> <td>2052H</td> </tr> <tr> <td>CBF (K_x)</td> <td>Slave Port Command Buffer Full</td> <td>2050H</td> </tr> <tr> <td>IBF (K_x)</td> <td>Slave Port Input Buffer Full</td> <td>204EH</td> </tr> <tr> <td>OBE (K_x)</td> <td>Slave Port Output Buffer Empty</td> <td>204CH</td> </tr> <tr> <td>AD</td> <td>A/D Conversion Complete</td> <td>204AH</td> </tr> <tr> <td>EPA0</td> <td>EPA Capture/Compare Channel 0</td> <td>2048H</td> </tr> <tr> <td>EPA1</td> <td>EPA Capture/Compare Channel 1</td> <td>2046H</td> </tr> <tr> <td>EPA2</td> <td>EPA Capture/Compare Channel 2</td> <td>2044H</td> </tr> <tr> <td>EPA3</td> <td>EPA Capture/Compare Channel 3</td> <td>2042H</td> </tr> <tr> <td>EPA_x[†]</td> <td>Multiplexed EPA</td> <td>2040H</td> </tr> </tbody> </table> <p>[†] PTS service is not recommended because the PTS cannot determine the source of multiplexed interrupts.</p>	Bit Mnemonic	Interrupt	PTS Vector	EXTINT	EXTINT pin	205CH	CAN (CA) [†]	CAN Peripheral	205AH	RI	SIO Receive	2058H	TI	SIO Transmit	2056H	SSIO1	SSIO 1 Transfer	2054H	SSIO0	SSIO 0 Transfer	2052H	CBF (K _x)	Slave Port Command Buffer Full	2050H	IBF (K _x)	Slave Port Input Buffer Full	204EH	OBE (K _x)	Slave Port Output Buffer Empty	204CH	AD	A/D Conversion Complete	204AH	EPA0	EPA Capture/Compare Channel 0	2048H	EPA1	EPA Capture/Compare Channel 1	2046H	EPA2	EPA Capture/Compare Channel 2	2044H	EPA3	EPA Capture/Compare Channel 3	2042H	EPA _x [†]	Multiplexed EPA	2040H
Bit Mnemonic	Interrupt	PTS Vector																																															
EXTINT	EXTINT pin	205CH																																															
CAN (CA) [†]	CAN Peripheral	205AH																																															
RI	SIO Receive	2058H																																															
TI	SIO Transmit	2056H																																															
SSIO1	SSIO 1 Transfer	2054H																																															
SSIO0	SSIO 0 Transfer	2052H																																															
CBF (K _x)	Slave Port Command Buffer Full	2050H																																															
IBF (K _x)	Slave Port Input Buffer Full	204EH																																															
OBE (K _x)	Slave Port Output Buffer Empty	204CH																																															
AD	A/D Conversion Complete	204AH																																															
EPA0	EPA Capture/Compare Channel 0	2048H																																															
EPA1	EPA Capture/Compare Channel 1	2046H																																															
EPA2	EPA Capture/Compare Channel 2	2044H																																															
EPA3	EPA Capture/Compare Channel 3	2042H																																															
EPA _x [†]	Multiplexed EPA	2040H																																															

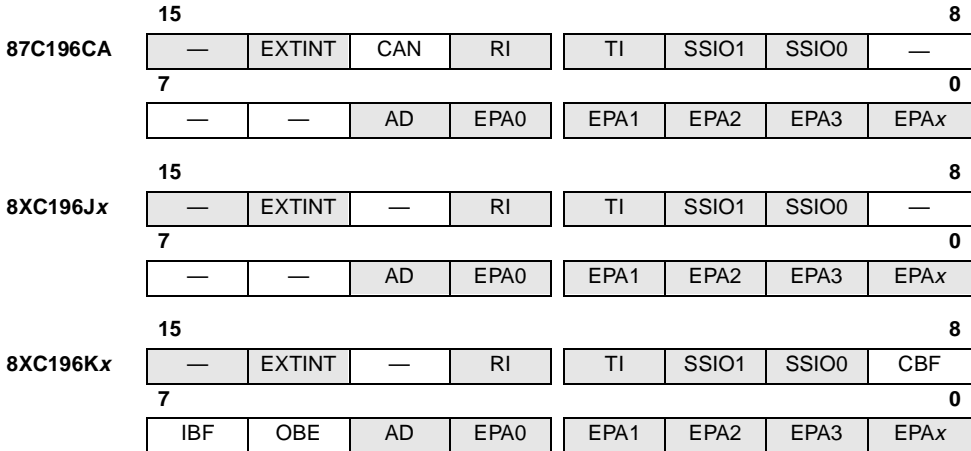
1. Bit 13 is reserved on the 8XC196Jx, Kx devices and bits 6–8 are reserved on the 87C196CA, 8XC196Jx devices. For compatibility with future devices, write zeros to these bits.

PTSSRV

PTSSRV

Address: 06H
Reset State: 0000H

The PTS service (PTSSRV) register is used by the hardware to indicate that the final PTS interrupt has been serviced by the PTS routine. When PTSCOUNT reaches zero, hardware clears the corresponding PTSEL bit and sets the PTSSRV bit, which requests the end-of-PTS interrupt. When the end-of-PTS interrupt is called, hardware clears the PTSSRV bit. The PTSEL bit must be set manually to re-enable the PTS channel.



Bit Number	Function																																																
14:0 (Note 1)	<p>This bit is set by hardware to request an end-of-PTS interrupt for the corresponding interrupt through its standard interrupt vector.</p> <p>The standard interrupt vector locations are as follows.</p> <table style="width: 100%; border-collapse: collapse;"> <thead> <tr> <th style="text-align: left;">Bit Mnemonic</th> <th style="text-align: left;">Interrupt</th> <th style="text-align: left;">Standard Vector</th> </tr> </thead> <tbody> <tr><td>EXTINT</td><td>External</td><td>203CH</td></tr> <tr><td>CAN (CA)</td><td>CAN Peripheral</td><td>203AH</td></tr> <tr><td>RI</td><td>SIO Receive</td><td>2038H</td></tr> <tr><td>TI</td><td>SIO Transmit</td><td>2036H</td></tr> <tr><td>SSIO1</td><td>SSIO1 Transfer</td><td>2034H</td></tr> <tr><td>SSIO0</td><td>SSIO0 Transfer</td><td>2032H</td></tr> <tr><td>CBF (K_x)</td><td>Slave Port Command Buffer Full</td><td>2030H</td></tr> <tr><td>IBF (K_x)</td><td>Slave Port Input Buffer Full</td><td>200EH</td></tr> <tr><td>OBE (K_x)</td><td>Slave Port Output Buffer Empty</td><td>200CH</td></tr> <tr><td>AD</td><td>A/D Conversion Complete</td><td>200AH</td></tr> <tr><td>EPA0</td><td>EPA Capture/Compare Channel 0</td><td>2008H</td></tr> <tr><td>EPA1</td><td>EPA Capture/Compare Channel 1</td><td>2006H</td></tr> <tr><td>EPA2</td><td>EPA Capture/Compare Channel 2</td><td>2004H</td></tr> <tr><td>EPA3</td><td>EPA Capture/Compare Channel 3</td><td>2002H</td></tr> <tr><td>EPA_x†</td><td>Multiplexed EPA</td><td>2000H</td></tr> </tbody> </table> <p>† This bit is cleared when all EPA interrupt pending bits (EPA_PEND and EPA_PEND1) are cleared.</p>	Bit Mnemonic	Interrupt	Standard Vector	EXTINT	External	203CH	CAN (CA)	CAN Peripheral	203AH	RI	SIO Receive	2038H	TI	SIO Transmit	2036H	SSIO1	SSIO1 Transfer	2034H	SSIO0	SSIO0 Transfer	2032H	CBF (K _x)	Slave Port Command Buffer Full	2030H	IBF (K _x)	Slave Port Input Buffer Full	200EH	OBE (K _x)	Slave Port Output Buffer Empty	200CH	AD	A/D Conversion Complete	200AH	EPA0	EPA Capture/Compare Channel 0	2008H	EPA1	EPA Capture/Compare Channel 1	2006H	EPA2	EPA Capture/Compare Channel 2	2004H	EPA3	EPA Capture/Compare Channel 3	2002H	EPA _x †	Multiplexed EPA	2000H
Bit Mnemonic	Interrupt	Standard Vector																																															
EXTINT	External	203CH																																															
CAN (CA)	CAN Peripheral	203AH																																															
RI	SIO Receive	2038H																																															
TI	SIO Transmit	2036H																																															
SSIO1	SSIO1 Transfer	2034H																																															
SSIO0	SSIO0 Transfer	2032H																																															
CBF (K _x)	Slave Port Command Buffer Full	2030H																																															
IBF (K _x)	Slave Port Input Buffer Full	200EH																																															
OBE (K _x)	Slave Port Output Buffer Empty	200CH																																															
AD	A/D Conversion Complete	200AH																																															
EPA0	EPA Capture/Compare Channel 0	2008H																																															
EPA1	EPA Capture/Compare Channel 1	2006H																																															
EPA2	EPA Capture/Compare Channel 2	2004H																																															
EPA3	EPA Capture/Compare Channel 3	2002H																																															
EPA _x †	Multiplexed EPA	2000H																																															

- Bit 13 is reserved on the 8XC196Jx, Kx devices and bits 6–8 are reserved on the 87C196CA, 8XC196Jx devices. For compatibility with future devices, write zeros to these bits.

SBUF_RX**SBUF_RX**

Address: 1FB8H
Reset State: 00H

The serial port receive buffer (SBUF_RX) register contains data received from the serial port. The serial port receiver is buffered and can begin receiving a second data byte before the first byte is read. Data is held in the receive shift register until the last data bit is received, then the data byte is loaded into SBUF_RX. If data in the shift register is loaded into SBUF_RX before the previous byte is read, the overflow error bit is set (SP_STATUS.2). The data in SBUF_RX will always be the last byte received, never a combination of the last two bytes.

7 0

Data Received

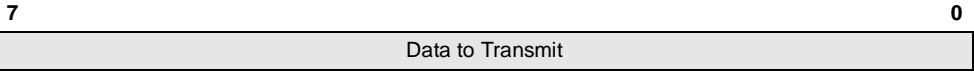
Bit Number	Function
7:0	Data Received This register contains the last byte of data received from the serial port.

SBUF_TX

SBUF_TX

Address: 1FBAH
 Reset State: 00H

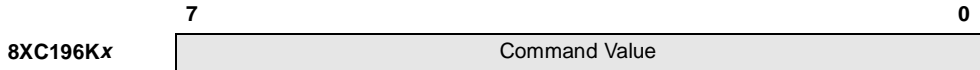
The serial port transmit buffer (SBUF_TX) register contains data that is ready for transmission. In modes 1, 2, and 3, writing to SBUF_TX starts a transmission. In mode 0, writing to SBUF_TX starts a transmission only if the receiver is disabled (SP_CON.3=0).



Bit Number	Function
7:0	Data to Transmit This register contains a byte of data to be transmitted by the serial port.

SLP_CMD**SLP_CMD**
(8XC196Kx)Address: 1FFAH
Reset State: 00H

The slave port comand (SLP_CMD) register accepts commands from the master to the slave. The commands are defined by the device software. The slave can read from and write to this register. The master can only write to it. To write to SLP_CMD (rather than P3_PIN) the master must first write "1" to the pin selected by SLP_CON.2.



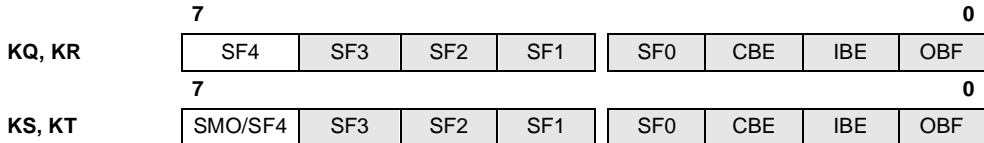
Bit Number	Function
7:0	Command Value This register is used to hold commands from the master to the slave.

SLP_STAT

SLP_STAT
(8XC196Kx)

Address: 1FF8H
Reset State: 00H

The master can read the slave port status (SLP_STAT) register to determine the status of the slave. The slave can read all bits and can write bits 3–7 for general-purpose status information. (The bits are user-defined flags.) If the master attempts to write to SLP_STAT, it actually writes to SLP_CMD. To read from this register (rather than P3_REG), the master must first write “1” to the pin selected by SLP_CON.2.



Bit Number	Bit Mnemonic	Function
7 [†] (KS, KT)	SMO/SF4	Shared Memory Operation/Status Field Bit 4 In shared memory mode bit 7 (SMO) indicates whether the bus interface logic received a read (1) or a write (0). SMO can be read but not written. In standard slave mode bit 7 (SF4) is the high bit of the status field.
7:3 (KQ, KR) 6:3 (KS, KT)	SF4:0 SF3:0	Status Field The slave can write to these bits for general-purpose status information. (The bits are user-defined flags).
2	CBE	Command Buffer Empty This flag is set after the slave reads SLP_CMD. The flag is cleared and the command buffer full (CBF) interrupt pending bit (INT_PEND1.0) is set after the master writes to SLP_CMD.
1	IBE	Input Buffer Empty This flag is set after the slave reads P3_PIN. The flag is cleared and the IBF interrupt pending bit (INT_PEND.7) is set after the master writes to P3_PIN.
0	OBF	Output Buffer Full This flag is set after the slave writes to P3_REG. The flag is cleared and the OBE interrupt pending bit (INT_PEND.6) is set after the master reads P3_REG.

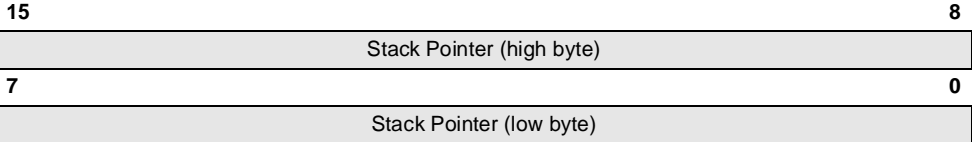
[†] On the 8XC196KQ, KR devices this bit functions only as SF4.

SP

SP

Address: 18H
Reset State: XXXXH

The system's stack pointer (SP) can point anywhere in internal or external memory; it must be word aligned and must always be initialized before use. The stack pointer is decremented before a PUSH and incremented after a POP, so the stack pointer should be initialized to two bytes above the highest stack location. If stack operations are not being performed, locations 18H and 19H may be used as standard registers.



Bit Number	Function
15:0	Stack Pointer This register makes up the system's stack pointer.

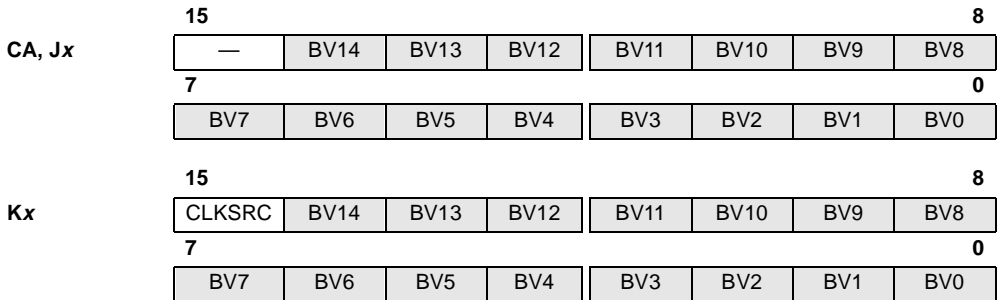
SP_BAUD

SP_BAUD

Address: 1FBCH
Reset State: 0000H

The serial port baud rate (SP_BAUD) register selects the serial port baud rate and clock source. The most-significant bit selects the clock source. The lower 15 bits represent BAUD_VALUE, an unsigned integer that determines the baud rate.

The maximum BAUD_VALUE is 32,767 (7FFFH). In asynchronous modes 1, 2, and 3, the minimum BAUD_VALUE is 0000H when using XTAL1 and 0001H when using T1CLK. In synchronous mode 0, the minimum BAUD_VALUE is 0001H for transmissions and 0002H for receptions.



Bit Number	Bit Mnemonic	Function
15 [†]	CLKSRC	Serial Port Clock Source This bit determines whether the serial port is clocked from an internal or an external source. 1 = XTAL1 (internal source) 0 = T1CLK (external source)
14:0	BV14:0	These bits constitute the BAUD_VALUE. Use the following equations to determine the BAUD_VALUE for a given baud rate. Synchronous mode 0: ^{††} $\text{BAUD_VALUE} = \frac{F_{\text{Osc}}}{\text{Baud Rate} \times 2} - 1 \quad \text{or} \quad \frac{\text{T1CLK}}{\text{Baud Rate}}$ Asynchronous modes 1, 2, and 3: $\text{BAUD_VALUE} = \frac{F_{\text{Osc}}}{\text{Baud Rate} \times 16} - 1 \quad \text{or} \quad \frac{\text{T1CLK}}{\text{Baud Rate} \times 8}$ ^{††} For mode 0 receptions, the BAUD_VALUE must be 0002H or greater. Otherwise, the resulting data in the receive shift register will be incorrect.

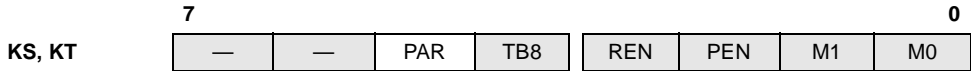
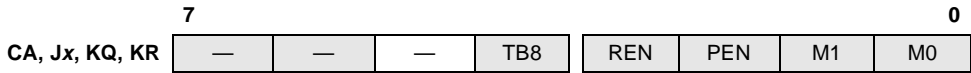
[†] On the 87C196CA, 8XC196Jx devices the T1CLK pin is not implemented; therefore, on these devices this bit is reserved and should be written as one.

SP_CON

SP_CON

Address: 1FBBH
Reset State: 00H

The serial port control (SP_CON) register selects the communications mode and enables or disables the receiver, parity checking, and nine-bit data transmission.



Bit Number	Bit Mnemonic	Function															
7:6	—	Reserved; always write as zeros.															
5 [†]	PAR	Parity Selection Bit Selects even or odd parity. 1 = odd parity 0 = even parity															
4	TB8	Transmit Ninth Data Bit This is the ninth data bit that will be transmitted in mode 2 or 3. This bit is cleared after each transmission, so it must be set before SBUF_TX is written. When SP_CON.2 is set, this bit takes on the even parity value.															
3	REN	Receive Enable Setting this bit enables the receiver function of the RXD pin. When this bit is set, a high-to-low transition on the pin starts a reception in mode 1, 2, or 3. In mode 0, this bit must be clear for transmission to begin and must be set for reception to begin. Clearing this bit stops a reception in progress and inhibits further receptions.															
2	PEN	Parity Enable In modes 1 and 3, setting this bit enables the parity function. This bit must be cleared if mode 2 is used. When this bit is set, TB8 takes the parity value on transmissions. With parity enabled, SP_STATUS.7 becomes the receive parity error bit.															
1:0	M1:0	Mode Selection These bits select the communications mode. <table style="margin-left: 20px; border: none;"> <tr> <td>M1</td> <td>M0</td> <td></td> </tr> <tr> <td>0</td> <td>0</td> <td>mode 0</td> </tr> <tr> <td>0</td> <td>1</td> <td>mode 1</td> </tr> <tr> <td>1</td> <td>0</td> <td>mode 2</td> </tr> <tr> <td>1</td> <td>1</td> <td>mode 3</td> </tr> </table>	M1	M0		0	0	mode 0	0	1	mode 1	1	0	mode 2	1	1	mode 3
M1	M0																
0	0	mode 0															
0	1	mode 1															
1	0	mode 2															
1	1	mode 3															

[†] This bit is reserved on the 87C196CA, 8XC196Jx, KQ, KR devices. For compatibility with future devices, write zero to this bit.

SP_STATUS

SP_STATUS

Address: 1FB9H
Reset State: 0BH

The serial port status (SP_STATUS) register contains bits that indicate the status of the serial port.

7

0

RPE/RB8	RI	TI	FE	TXE	OE	—	—
---------	----	----	----	-----	----	---	---

Bit Number	Bit Mnemonic	Function
7	RPE/RB8	Received Parity Error/Received Bit 8 RPE is set if parity is disabled (SP_CON.2=0) and the ninth data bit received is high. RB8 is set if parity is enabled (SP_CON.2=1) and a parity error occurred. Reading SP_STATUS clears this bit.
6	RI	Receive Interrupt This bit is set when the last data bit is sampled. Reading SP_STATUS clears this bit. This bit need not be clear for the serial port to receive data.
5	TI	Transmit Interrupt This bit is set at the beginning of the stop bit transmission. Reading SP_STATUS clears this bit.
4	FE	Framing Error This bit is set if a stop bit is not found within the appropriate period of time. Reading SP_STATUS clears this bit.
3	TXE	SBUF_TX Empty This bit is set if the transmit buffer is empty and ready to accept up to two bytes. It is cleared when a byte is written to SBUF_TX.
2	OE	Overrun Error This bit is set if data in the receive shift register is loaded into SBUF_RX before the previous bit is read. Reading SP_STATUS clears this bit.
1:0	—	Reserved. These bits are undefined.

SSIO_BAUD

SSIO_BAUD		Address: 1FB4H
		Reset State: XXH
<p>The synchronous serial port baud (SSIO_BAUD) register enables and disables the baud-rate generator and selects the SSIO baud rate. During read operations, SSIO_BAUD serves as the down-counter monitor. The down-counter is decremented once every four state times when the baud-rate generator is enabled.</p>		
7	0	
BE	BV6	BV5
BV4	BV3	BV2
BV1	BV0	

Bit Number	Bit Mnemonic	Function
7	BE	Baud-rate Generator Enable This bit enables and disables the baud-rate generator. For write operations: 0 = disable the baud-rate generator and clear BV6:0 1 = enable the baud-rate generator and start the down-counter For read operations: 0 = baud-rate generator is disabled 1 = baud-rate generator is enabled and down-counter is running
6:0	BV6:0	Baud Value For write operations: These bits represent BAUD_VALUE, an unsigned integer that determines the baud rate. The maximum value of BAUD_VALUE is 7FH; the minimum value is 0. Use the following equation to determine BAUD_VALUE for a given baud rate. $\text{BAUD_VALUE} = \frac{F_{\text{Osc}}}{\text{Baud Rate} \times 8} - 1$ For read operations: These bits contain the current value of the down-counter.

Table C-20. Common SSIO_BAUD Values at 16 MHz

Baud Rate	SSIO_BAUD Value†
(Maximum) 2.0 MHz	80H
100.0 kHz	93H
64.52 kHz	9DH
50.0 kHz	A7H
25.0 kHz	CFH
(Minimum) 15.625 kHz	FFH

† Bit 7 must be set to enable the baud-rate generator.

SSIOx_BUF (RXD, TXD)

SSIOx_BUF (RXD, TXD)
x = 0–1

Address: Table C-21
 Reset State:

The synchronous serial receive buffer *x* (SSIOx_BUF (RXD)) contains received data. Data is shifted into this register from the SD*x* pin, with the most-significant bit first.

The synchronous serial transmit buffer *x* (SSIOx_BUF (TXD)) contains data for transmission. Data is shifted from this register to the SD*x* pin, with the most-significant bit first.

	7	0
RXD	Data Received	
	7	0
TXD	Data to Transmit	

Bit Number	Function
7:0	Data Received During receptions, this register contains the last byte of data received from the synchronous serial port.
	Data to Transmit During transmissions, this register contains a byte of data to be transmitted by the synchronous serial port.

Table C-21. SSIOx_BUF Addresses and Reset Values

Register	Address	Reset Value
SSIO0_BUF	1FB0H	00H
SSIO1_BUF	1FB2H	00H

SSIO_x_CON

SSIO_x_CON
x = 0–1

Address: Table C-22
 Reset State:

The synchronous serial control *x* (SSIO_x_CON) registers control the communications mode and handshaking. The two least-significant bits indicate whether an overflow or underflow has occurred and whether the channel is ready to transmit or receive.



Bit Number	Bit Mnemonic	Function
7 [†]	M/S#	Master/Slave Select Configures the channel as either master or slave. 0 = slave; SC _x is an external clock input to SSIO _x _BUF 1 = master; SC _x is an output driven by the SSIO baud-rate generator
6 [†]	T/R#	Transmit/Receive Select Configures the channel as either transmitter or receiver. 0 = receiver; SD _x is an input to SSIO _x _BUF 1 = transmitter; SD _x is an output driven by the output of SSIO _x _BUF
5	TRT	Transmitter/Receiver Toggle Controls whether receiver and transmitter switch roles at the end of each transfer. 0 = do not switch 1 = switch; toggle T/R# and clear TRT at the end of the current transfer Setting TRT allows the channel configuration to change immediately on transfer completions, thus avoiding possible contention on the data line.
4	THS	Transceiver Handshake Select Enables and disables handshaking. The THS, STE, and ATR bits must be set for handshaking modes. 0 = disables handshaking 1 = enables handshaking
3	STE	Single Transfer Enable Enables and disables transfer of a single byte. Unless ATR is set, STE is automatically cleared at the end of a transfer. The THS, STE, and ATR bits must be set for handshaking modes. 0 = disable transfers 1 = allow transmission or reception of a single byte.
2	ATR	Automatic Transfer Re-enable Enables and disables subsequent transfers. The THS, STE, and ATR bits must be set for handshaking modes. 0 = allow automatic clearing of STE; disable subsequent transfers 1 = prevent automatic clearing of STE; allow transfer of next byte

[†] The M/S# and T/R# bits specify four possible configurations: master transmitter, master receiver, slave transmitter, or slave receiver.

SSIOx_CON

SSIOx_CON (Continued)

Address: Table C-22

x = 0–1

Reset State:

The synchronous serial control x (SSIOx_CON) registers control the communications mode and handshaking. The two least-significant bits indicate whether an overflow or underflow has occurred and whether the channel is ready to transmit or receive.

7

0

M/S#	T/R#	TRT	THS	STE	ATR	OUF	TBS
------	------	-----	-----	-----	-----	-----	-----

Bit Number	Bit Mnemonic	Function
1	OUF	<p>Overflow/Underflow Flag</p> <p>Indicates whether an overflow or underflow has occurred. An attempt to access SSIOx_BUF during a byte transfer sets this bit.</p> <p>For the master (M/S# = 1)</p> <p>0 = no overflow or underflow has occurred 1 = the core attempted to access SSIOx_BUF during the current transfer</p> <p>For the slave (M/S# = 0)</p> <p>0 = no overflow or underflow has occurred 1 = the core attempted to access SSIOx_BUF during the current transfer or the master attempted to clock data into or out of the slave's SSIOx_BUF before the buffer was available</p>
0	TBS	<p>Transceiver Buffer Status</p> <p>Indicates the status of the channel's SSIOx_BUF.</p> <p>For the transmitter (T/R# = 1)</p> <p>0 = SSIOx_BUF is full; waiting to transmit 1 = SSIOx_BUF is empty; buffer available</p> <p>For the receiver (T/R# = 0)</p> <p>0 = SSIOx_BUF is empty; waiting to receive 1 = SSIOx_BUF is full; data available</p>

† The M/S# and T/R# bits specify four possible configurations: master transmitter, master receiver, slave transmitter, or slave receiver.

Table C-22. SSIOx_CON Addresses and Reset Values

Register	Address	Reset Value
SSIO0_CON	1FB1H	00H
SSIO1_CON	1FB3H	00H

T1CONTROL

T1CONTROL

Address: 1F98H
Reset State: 00H

The timer 1 control (T1CONTROL) register determines the clock source, counting direction, and count rate for timer 1.



Bit Number	Bit Mnemonic	Function																																													
7	CE	<p>Counter Enable</p> <p>This bit enables or disables the timer. From reset, the timers are disabled and not free running.</p> <p>0 = disables timer 1 = enables timer</p>																																													
6	UD	<p>Up/Down</p> <p>This bit determines the timer counting direction, in selected modes (see mode bits, M2:0)</p> <p>0 = count down 1 = count up</p>																																													
5:3	M2:0	<p>EPA Clock Direction Mode Bits</p> <p>These bits determine the timer clocking source and direction control source.</p> <table style="width: 100%; border-collapse: collapse;"> <thead> <tr> <th style="text-align: center;">M2</th> <th style="text-align: center;">M1</th> <th style="text-align: center;">M0</th> <th style="text-align: left;">Clock Source</th> <th style="text-align: left;">Direction Source</th> </tr> </thead> <tbody> <tr> <td style="text-align: center;">0</td> <td style="text-align: center;">0</td> <td style="text-align: center;">0</td> <td>$F_{OSC}/4$</td> <td>UD bit (T1CONTROL.6)</td> </tr> <tr> <td style="text-align: center;">X</td> <td style="text-align: center;">0</td> <td style="text-align: center;">1</td> <td>T1CLK Pin[†]</td> <td>UD bit (T1CONTROL.6)^{††}</td> </tr> <tr> <td style="text-align: center;">0</td> <td style="text-align: center;">1</td> <td style="text-align: center;">0</td> <td>$F_{OSC}/4$</td> <td>T1DIR Pin^{††}</td> </tr> <tr> <td style="text-align: center;">0</td> <td style="text-align: center;">1</td> <td style="text-align: center;">1</td> <td>T1CLK Pin[†]</td> <td>T1DIR Pin^{††}</td> </tr> <tr> <td style="text-align: center;">1</td> <td style="text-align: center;">1</td> <td style="text-align: center;">1</td> <td colspan="2">quadrature clocking using T1CLK and T1DIR pins^{††}</td> </tr> </tbody> </table> <p>[†] If an external clock is selected, the timer counts on both the rising and falling edges of the clock.</p> <p>^{††} These modes are reserved on the 8XC196CA, Jx devices.</p>	M2	M1	M0	Clock Source	Direction Source	0	0	0	$F_{OSC}/4$	UD bit (T1CONTROL.6)	X	0	1	T1CLK Pin [†]	UD bit (T1CONTROL.6) ^{††}	0	1	0	$F_{OSC}/4$	T1DIR Pin ^{††}	0	1	1	T1CLK Pin [†]	T1DIR Pin ^{††}	1	1	1	quadrature clocking using T1CLK and T1DIR pins ^{††}																
M2	M1	M0	Clock Source	Direction Source																																											
0	0	0	$F_{OSC}/4$	UD bit (T1CONTROL.6)																																											
X	0	1	T1CLK Pin [†]	UD bit (T1CONTROL.6) ^{††}																																											
0	1	0	$F_{OSC}/4$	T1DIR Pin ^{††}																																											
0	1	1	T1CLK Pin [†]	T1DIR Pin ^{††}																																											
1	1	1	quadrature clocking using T1CLK and T1DIR pins ^{††}																																												
2:0	P2:0	<p>EPA Clock Prescaler Bits</p> <p>These bits determine the clock prescaler value.</p> <table style="width: 100%; border-collapse: collapse;"> <thead> <tr> <th style="text-align: center;">P2</th> <th style="text-align: center;">P1</th> <th style="text-align: center;">P0</th> <th style="text-align: left;">Prescaler</th> <th style="text-align: left;">Resolution (at 16 MHz)</th> </tr> </thead> <tbody> <tr> <td style="text-align: center;">0</td> <td style="text-align: center;">0</td> <td style="text-align: center;">0</td> <td>divide by 1 (disabled)</td> <td>250 ns</td> </tr> <tr> <td style="text-align: center;">0</td> <td style="text-align: center;">0</td> <td style="text-align: center;">1</td> <td>divide by 2</td> <td>500 ns</td> </tr> <tr> <td style="text-align: center;">0</td> <td style="text-align: center;">1</td> <td style="text-align: center;">0</td> <td>divide by 4</td> <td>1 μs</td> </tr> <tr> <td style="text-align: center;">0</td> <td style="text-align: center;">1</td> <td style="text-align: center;">1</td> <td>divide by 8</td> <td>2 μs</td> </tr> <tr> <td style="text-align: center;">1</td> <td style="text-align: center;">0</td> <td style="text-align: center;">0</td> <td>divide by 16</td> <td>4 μs</td> </tr> <tr> <td style="text-align: center;">1</td> <td style="text-align: center;">0</td> <td style="text-align: center;">1</td> <td>divide by 32</td> <td>8 μs</td> </tr> <tr> <td style="text-align: center;">1</td> <td style="text-align: center;">1</td> <td style="text-align: center;">0</td> <td>divide by 64</td> <td>16 μs</td> </tr> <tr> <td style="text-align: center;">1</td> <td style="text-align: center;">1</td> <td style="text-align: center;">1</td> <td>reserved</td> <td>—</td> </tr> </tbody> </table>	P2	P1	P0	Prescaler	Resolution (at 16 MHz)	0	0	0	divide by 1 (disabled)	250 ns	0	0	1	divide by 2	500 ns	0	1	0	divide by 4	1 μ s	0	1	1	divide by 8	2 μ s	1	0	0	divide by 16	4 μ s	1	0	1	divide by 32	8 μ s	1	1	0	divide by 64	16 μ s	1	1	1	reserved	—
P2	P1	P0	Prescaler	Resolution (at 16 MHz)																																											
0	0	0	divide by 1 (disabled)	250 ns																																											
0	0	1	divide by 2	500 ns																																											
0	1	0	divide by 4	1 μ s																																											
0	1	1	divide by 8	2 μ s																																											
1	0	0	divide by 16	4 μ s																																											
1	0	1	divide by 32	8 μ s																																											
1	1	0	divide by 64	16 μ s																																											
1	1	1	reserved	—																																											

T2CONTROL

T2CONTROL

Address: 1F9CH
Reset State: 00H

The timer 2 control (T2CONTROL) register determines the clock source, counting direction, and count rate for timer 2.

7 0

CE	UD	M2	M1	M0	P2	P1	P0
----	----	----	----	----	----	----	----

Bit Number	Bit Mnemonic	Function																																													
7	CE	<p>Counter Enable</p> <p>This bit enables or disables the timer. From reset, the timers are disabled and not free running.</p> <p>0 = disables timer 1 = enables timer</p>																																													
6	UD	<p>Up/Down</p> <p>This bit determines the timer counting direction, in selected modes (see mode bits, M2:0).</p> <p>0 = count down 1 = count up</p>																																													
5:3	M2:0	<p>EPA Clock Direction Mode Bits.</p> <p>These bits determine the timer clocking source and direction source</p> <table border="1"> <thead> <tr> <th>M2</th> <th>M1</th> <th>M0</th> <th>Clock Source</th> <th>Direction Source</th> </tr> </thead> <tbody> <tr> <td>0</td> <td>0</td> <td>0</td> <td>$F_{OSC}/4$</td> <td>UD bit (T2CONTROL.6)</td> </tr> <tr> <td>X</td> <td>0</td> <td>1</td> <td>T2CLK Pin[†]</td> <td>UD bit (T2CONTROL.6)</td> </tr> <tr> <td>0</td> <td>1</td> <td>0</td> <td>$F_{OSC}/4$</td> <td>T2DIR Pin</td> </tr> <tr> <td>0</td> <td>1</td> <td>1</td> <td>T2CLK Pin[†]</td> <td>T2DIR Pin</td> </tr> <tr> <td>1</td> <td>0</td> <td>0</td> <td>timer 1 overflow</td> <td>UD bit (T2CONTROL.6)</td> </tr> <tr> <td>1</td> <td>1</td> <td>0</td> <td>timer 1</td> <td>same as timer 1</td> </tr> <tr> <td>1</td> <td>1</td> <td>1</td> <td>quadrature clocking using T2CLK and T2DIR pins[†]</td> <td></td> </tr> </tbody> </table> <p>If an external clock is selected, the timer counts on both the rising and falling edges of the clock.</p>	M2	M1	M0	Clock Source	Direction Source	0	0	0	$F_{OSC}/4$	UD bit (T2CONTROL.6)	X	0	1	T2CLK Pin [†]	UD bit (T2CONTROL.6)	0	1	0	$F_{OSC}/4$	T2DIR Pin	0	1	1	T2CLK Pin [†]	T2DIR Pin	1	0	0	timer 1 overflow	UD bit (T2CONTROL.6)	1	1	0	timer 1	same as timer 1	1	1	1	quadrature clocking using T2CLK and T2DIR pins [†]						
M2	M1	M0	Clock Source	Direction Source																																											
0	0	0	$F_{OSC}/4$	UD bit (T2CONTROL.6)																																											
X	0	1	T2CLK Pin [†]	UD bit (T2CONTROL.6)																																											
0	1	0	$F_{OSC}/4$	T2DIR Pin																																											
0	1	1	T2CLK Pin [†]	T2DIR Pin																																											
1	0	0	timer 1 overflow	UD bit (T2CONTROL.6)																																											
1	1	0	timer 1	same as timer 1																																											
1	1	1	quadrature clocking using T2CLK and T2DIR pins [†]																																												
2:0	P2:0	<p>EPA Clock Prescaler Bits</p> <p>These bits determine the clock prescaler value.</p> <table border="1"> <thead> <tr> <th>P2</th> <th>P1</th> <th>P0</th> <th>Prescaler</th> <th>Resolution (at 16 MHz)</th> </tr> </thead> <tbody> <tr> <td>0</td> <td>0</td> <td>0</td> <td>divide by 1 (disabled)</td> <td>250 ns</td> </tr> <tr> <td>0</td> <td>0</td> <td>1</td> <td>divide by 2</td> <td>500 ns</td> </tr> <tr> <td>0</td> <td>1</td> <td>0</td> <td>divide by 4</td> <td>1 μs</td> </tr> <tr> <td>0</td> <td>1</td> <td>1</td> <td>divide by 8</td> <td>2 μs</td> </tr> <tr> <td>1</td> <td>0</td> <td>0</td> <td>divide by 16</td> <td>4 μs</td> </tr> <tr> <td>1</td> <td>0</td> <td>1</td> <td>divide by 32</td> <td>8 μs</td> </tr> <tr> <td>1</td> <td>1</td> <td>0</td> <td>divide by 64</td> <td>16 μs</td> </tr> <tr> <td>1</td> <td>1</td> <td>1</td> <td>reserved</td> <td>—</td> </tr> </tbody> </table>	P2	P1	P0	Prescaler	Resolution (at 16 MHz)	0	0	0	divide by 1 (disabled)	250 ns	0	0	1	divide by 2	500 ns	0	1	0	divide by 4	1 μ s	0	1	1	divide by 8	2 μ s	1	0	0	divide by 16	4 μ s	1	0	1	divide by 32	8 μ s	1	1	0	divide by 64	16 μ s	1	1	1	reserved	—
P2	P1	P0	Prescaler	Resolution (at 16 MHz)																																											
0	0	0	divide by 1 (disabled)	250 ns																																											
0	0	1	divide by 2	500 ns																																											
0	1	0	divide by 4	1 μ s																																											
0	1	1	divide by 8	2 μ s																																											
1	0	0	divide by 16	4 μ s																																											
1	0	1	divide by 32	8 μ s																																											
1	1	0	divide by 64	16 μ s																																											
1	1	1	reserved	—																																											

TIMERx

<p>TIMERx x = 1–2</p> <p>The two bytes of the timer x register contain the value of timer x. This register can be written, allowing timer x to be initialized to a value other than zero.</p>	<p>Address: Table C-23 Reset State:</p>				
<p>15 8</p> <div style="border: 1px solid black; background-color: #f0f0f0; padding: 2px; text-align: center;">Timer Value (high byte)</div>					
<p>7 0</p> <div style="border: 1px solid black; background-color: #f0f0f0; padding: 2px; text-align: center;">Timer Value (low byte)</div>					
<table border="1" style="width: 100%; border-collapse: collapse;"> <thead> <tr> <th style="text-align: center;">Bit Number</th> <th style="text-align: center;">Function</th> </tr> </thead> <tbody> <tr> <td style="text-align: center;">15:0</td> <td>Timer Read the current timer x value from this register or write a new timer x value to this register.</td> </tr> </tbody> </table>	Bit Number	Function	15:0	Timer Read the current timer x value from this register or write a new timer x value to this register.	
Bit Number	Function				
15:0	Timer Read the current timer x value from this register or write a new timer x value to this register.				

Table C-23. TIMERx Addresses and Reset Values

Register	Address	Reset Value
TIMER1	1F9AH	0000H
TIMER2	1F9EH	0000H

USFR

USFR

Address: 1FF6H
Reset State: XXH

The unerasable PROM (USFR) register contains two bits that disable external fetches of data and instructions and another that detects a failed oscillator. These bits can be programmed, but cannot be erased.

WARNING: These bits can be programmed, but can never be erased. Programming these bits makes dynamic failure analysis impossible. For this reason, devices with programmed UPROM bits cannot be returned to Intel for failure analysis.

7

0

—	—	—	—	DEI	DED	—	OFD
---	---	---	---	-----	-----	---	-----

Bit Number	Bit Mnemonic	Function
7:4	—	Reserved; always write as zeros.
3	DEI	Disable External Instruction Fetch Setting this bit prevents the bus controller from executing external instruction fetches. Any attempt to load an external address initiates a reset.
2	DED	Disable External Data Fetch Setting this bit prevents the bus controller from executing external data reads and writes. Any attempt to access data through the bus controller initiates a reset.
1	—	Reserved; always write as zero.
0	OFD	Oscillator Fail Detect Setting this bit enables the device to detect a failed oscillator and reset itself. (In EPROM packages, this bit can be erased.)

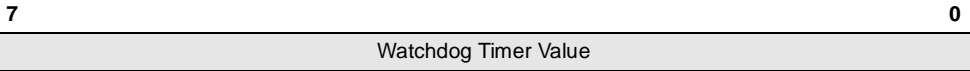
WATCHDOG

WATCHDOG

Address: 0AH
Reset State: 00H

Unless it is cleared every 64K state times, the watchdog timer resets the device. To clear the watchdog timer, send "1EH" followed immediately by "E1H" to location 0AH. Clearing this register the first time enables the watchdog with an initial value of 0000H, which is incremented once every state time. After it is enabled, the watchdog can be disabled only by a reset.

The WDE bit (bit 3) of CCR1 controls whether the watchdog is enabled immediately or is disabled until the first time it is cleared. Clearing WDE activates the watchdog. Setting WDE makes the watchdog timer inactive, but you can activate it by clearing the watchdog register. Once the watchdog is activated, only a reset can disable it.



Bit Number	Function
7:0	Watchdog Timer Value This register contains the 8 most-significant bits of the current value of the watchdog timer.

WSR

WSR	Address:	14H								
	Reset State:	00H								
<p>The window selection register (WSR) has two functions. One bit enables and disables the bus-hold protocol. The remaining bits select windows. Windows map sections of RAM into the upper section of the lower register file, in 32-, 64-, or 128-byte increments. PUSHAsaves this register on the stack and POPA restores it.</p>										
7		0								
CA, Jx	<table border="1" style="width: 100%; border-collapse: collapse;"> <tr> <td style="width: 12.5%; text-align: center;">—</td> <td style="width: 12.5%; text-align: center;">W6</td> <td style="width: 12.5%; text-align: center;">W5</td> <td style="width: 12.5%; text-align: center;">W4</td> <td style="width: 12.5%; text-align: center;">W3</td> <td style="width: 12.5%; text-align: center;">W2</td> <td style="width: 12.5%; text-align: center;">W1</td> <td style="width: 12.5%; text-align: center;">W0</td> </tr> </table>	—	W6	W5	W4	W3	W2	W1	W0	
—	W6	W5	W4	W3	W2	W1	W0			
7		0								
Kx	<table border="1" style="width: 100%; border-collapse: collapse;"> <tr> <td style="width: 12.5%; text-align: center;">HLDEN</td> <td style="width: 12.5%; text-align: center;">W6</td> <td style="width: 12.5%; text-align: center;">W5</td> <td style="width: 12.5%; text-align: center;">W4</td> <td style="width: 12.5%; text-align: center;">W3</td> <td style="width: 12.5%; text-align: center;">W2</td> <td style="width: 12.5%; text-align: center;">W1</td> <td style="width: 12.5%; text-align: center;">W0</td> </tr> </table>	HLDEN	W6	W5	W4	W3	W2	W1	W0	
HLDEN	W6	W5	W4	W3	W2	W1	W0			

Bit Number	Bit Mnemonic	Function																																
7 [†]	HLDEN	Hold Enable: This bit enables and disables the bus-hold protocol (see Chapter 15, "Enabling the Bus-hold Protocol (8XC196Kx Only)"). It has no effect on windowing. 1 = bus-hold protocol enabled 0 = bus-hold protocol disabled																																
6:0	W6:0	Window Selection: These bits specify the window size and window number: <table style="margin-left: 20px;"> <tr> <td style="text-align: right;">6</td><td style="text-align: right;">5</td><td style="text-align: right;">4</td><td style="text-align: right;">3</td><td style="text-align: right;">2</td><td style="text-align: right;">1</td><td style="text-align: right;">0</td><td></td> </tr> <tr> <td style="text-align: right;">1</td><td style="text-align: right;">x</td><td style="text-align: right;">x</td><td style="text-align: right;">x</td><td style="text-align: right;">x</td><td style="text-align: right;">x</td><td style="text-align: right;">x</td><td>32-byte window; W5:0 = window number</td> </tr> <tr> <td style="text-align: right;">0</td><td style="text-align: right;">1</td><td style="text-align: right;">x</td><td style="text-align: right;">x</td><td style="text-align: right;">x</td><td style="text-align: right;">x</td><td style="text-align: right;">x</td><td>64-byte window; W4:0 = window number</td> </tr> <tr> <td style="text-align: right;">0</td><td style="text-align: right;">0</td><td style="text-align: right;">1</td><td style="text-align: right;">x</td><td style="text-align: right;">x</td><td style="text-align: right;">x</td><td style="text-align: right;">x</td><td>128-byte window; W3:0 = window number</td> </tr> </table>	6	5	4	3	2	1	0		1	x	x	x	x	x	x	32-byte window; W5:0 = window number	0	1	x	x	x	x	x	64-byte window; W4:0 = window number	0	0	1	x	x	x	x	128-byte window; W3:0 = window number
6	5	4	3	2	1	0																												
1	x	x	x	x	x	x	32-byte window; W5:0 = window number																											
0	1	x	x	x	x	x	64-byte window; W4:0 = window number																											
0	0	1	x	x	x	x	128-byte window; W3:0 = window number																											

[†] On the 87C196CA, 8XC196Jx devices this bit is reserved; always write as zero.

Table C-24. WSR Settings and Direct Addresses for Windowable SFRs

Register Mnemonic	Memory Location	32-Byte Windows (00E0–00FFH)		64-Byte Windows (00C0–00FFH)		128-Byte Windows (0080–00FFH)	
		WSR	Direct Address	WSR	Direct Address	WSR	Direct Address
AD_COMMAND	1FACH	7DH	00ECH	3EH	00ECH	1FH	00ACH
AD_RESULT	1FAAH	7DH	00EAH	3EH	00EAH	1FH	00AAH
AD_TEST	1FAEH	7DH	00EEH	3EH	00EEH	1FH	00AEH
AD_TIME	1FAFH	7DH	00EFH	3EH	00EFH	1FH	00AFH
CAN_BTIME0 (CA)	1E3FH	71H	00FFH	38H	00FFH	1CH	00BFH
CAN_BTIME1 (CA)	1E4FH	72H	00EFH	39H	00CFH	1CH	00CFH

[†] Must be addressed as a word.

WSR
Table C-24. WSR Settings and Direct Addresses for Windowable SFRs (Continued)

Register Mnemonic	Memory Location	32-Byte Windows (00E0–00FFH)		64-Byte Windows (00C0–00FFH)		128-Byte Windows (0080–00FFH)	
		WSR	Direct Address	WSR	Direct Address	WSR	Direct Address
CAN_CON (CA)	1E00H	70H	00E0H	38H	00C0H	1CH	0080H
CAN_EGMSK (CA)	1E08H	70H	00E8H	38H	00C8H	1CH	0088H
CAN_INT (CA)	1E5FH	72H	00FFH	39H	00DFH	1CH	00DFH
CAN_MSG1CFG (CA)	1E16H	70H	00F6H	38H	00D6H	1CH	0096H
CAN_MSG2CFG (CA)	1E26H	71H	00E6H	38H	00E6H	1CH	00A6H
CAN_MSG3CFG (CA)	1E36H	71H	00F6H	38H	00F6H	1CH	00B6H
CAN_MSG4CFG (CA)	1E46H	72H	00E6H	39H	00C6H	1CH	00C6H
CAN_MSG5CFG (CA)	1E56H	72H	00F6H	39H	00D6H	1CH	00D6H
CAN_MSG6CFG (CA)	1E66H	73H	00E6H	39H	00E6H	1CH	00E6H
CAN_MSG7CFG (CA)	1E76H	73H	00F6H	39H	00F6H	1CH	00F6H
CAN_MSG8CFG (CA)	1E86H	74H	00E6H	3AH	00C6H	1DH	0086H
CAN_MSG9CFG (CA)	1E96H	74H	00F6H	3AH	00D6H	1DH	0096H
CAN_MSG10CFG (CA)	1EA6H	75H	00E6H	3AH	00E6H	1DH	00A6H
CAN_MSG11CFG (CA)	1EB6H	75H	00F6H	3AH	00F6H	1DH	00B6H
CAN_MSG12CFG (CA)	1EC6H	76H	00E6H	3BH	00C6H	1DH	00C6H
CAN_MSG13CFG (CA)	1ED6H	76H	00F6H	3BH	00D6H	1DH	00D6H
CAN_MSG14CFG (CA)	1EE6H	77H	00E6H	3BH	00E6H	1DH	00E6H
CAN_MSG15CFG (CA)	1EF6H	77H	00F6H	3BH	00F6H	1DH	00F6H
CAN_MSG1CON0 (CA)	1E10H	70H	00F0H	38H	00D0H	1CH	0090H
CAN_MSG2CON0 (CA)	1E20H	71H	00E0H	38H	00E0H	1CH	00A0H
CAN_MSG3CON0 (CA)	1E30H	71H	00F0H	38H	00F0H	1CH	00B0H
CAN_MSG4CON0 (CA)	1E40H	72H	00E0H	39H	00C0H	1CH	00C0H
CAN_MSG5CON0 (CA)	1E50H	72H	00F0H	39H	00D0H	1CH	00D0H
CAN_MSG6CON0 (CA)	1E60H	73H	00E0H	39H	00E0H	1CH	00E0H
CAN_MSG7CON0 (CA)	1E70H	73H	00F0H	39H	00F0H	1CH	00F0H
CAN_MSG8CON0 (CA)	1E80H	74H	00E0H	3AH	00C0H	1DH	0080H
CAN_MSG9CON0 (CA)	1E90H	74H	00F0H	3AH	00D0H	1DH	0090H
CAN_MSG10CON0 (CA)	1EA0H	75H	00E0H	3AH	00E0H	1DH	00A0H
CAN_MSG11CON0 (CA)	1EB0H	75H	00F0H	3AH	00F0H	1DH	00B0H
CAN_MSG12CON0 (CA)	1EC0H	76H	00E0H	3BH	00C0H	1DH	00C0H
CAN_MSG13CON0 (CA)	1ED0H	76H	00F0H	3BH	00D0H	1DH	00D0H

† Must be addressed as a word.

WSR

Table C-24. WSR Settings and Direct Addresses for Windowable SFRs (Continued)

Register Mnemonic	Memory Location	32-Byte Windows (00E0–00FFH)		64-Byte Windows (00C0–00FFH)		128-Byte Windows (0080–00FFH)	
		WSR	Direct Address	WSR	Direct Address	WSR	Direct Address
CAN_MSG14CON0 (CA)	1EE0H	77H	00E0H	3BH	00E0H	1DH	00E0H
CAN_MSG15CON0 (CA)	1EF0H	77H	00F0H	3BH	00F0H	1DH	00F0H
CAN_MSG1CON1 (CA)	1E11H	70H	00F1H	38H	00D1H	1CH	0091H
CAN_MSG2CON1 (CA)	1E21H	71H	00E1H	38H	00E1H	1CH	00A1H
CAN_MSG3CON1 (CA)	1E31H	71H	00F1H	38H	00F1H	1CH	00B1H
CAN_MSG4CON1 (CA)	1E41H	72H	00E1H	39H	00C1H	1CH	00C1H
CAN_MSG5CON1 (CA)	1E51H	72H	00F1H	39H	00D1H	1CH	00D1H
CAN_MSG6CON1 (CA)	1E61H	73H	00E1H	39H	00E1H	1CH	00E1H
CAN_MSG7CON1 (CA)	1E71H	73H	00F1H	39H	00F1H	1CH	00F1H
CAN_MSG8CON1 (CA)	1E81H	74H	00E1H	3AH	00C1H	1DH	0081H
CAN_MSG9CON1 (CA)	1E91H	74H	00F1H	3AH	00D1H	1DH	0091H
CAN_MSG10CON1 (CA)	1EA1H	75H	00E1H	3AH	00E1H	1DH	00A1H
CAN_MSG11CON1 (CA)	1EB1H	75H	00F1H	3AH	00F1H	1DH	00B1H
CAN_MSG12CON1 (CA)	1EC1H	76H	00E1H	3BH	00C1H	1DH	00C1H
CAN_MSG13CON1 (CA)	1ED1H	76H	00F1H	3BH	00D1H	1DH	00D1H
CAN_MSG14CON1 (CA)	1EE1H	77H	00E1H	3BH	00E1H	1DH	00E1H
CAN_MSG15CON1 (CA)	1EF1H	77H	00F1H	3BH	00F1H	1DH	00F1H
CAN_MSG1DATA0 (CA)	1E17H	70H	00F7H	38H	00D7H	1CH	0097H
CAN_MSG2DATA0 (CA)	1E27H	71H	00E7H	38H	00E7H	1CH	00A7H
CAN_MSG3DATA0 (CA)	1E37H	71H	00F7H	38H	00F7H	1CH	00B7H
CAN_MSG4DATA0 (CA)	1E47H	72H	00E7H	39H	00C7H	1CH	00C7H
CAN_MSG5DATA0 (CA)	1E57H	72H	00F7H	39H	00D7H	1CH	00D7H
CAN_MSG6DATA0 (CA)	1E67H	73H	00E7H	39H	00E7H	1CH	00E7H
CAN_MSG7DATA0 (CA)	1E77H	73H	00F7H	39H	00F7H	1CH	00F7H
CAN_MSG8DATA0 (CA)	1E87H	74H	00E7H	3AH	00C7H	1DH	0087H
CAN_MSG9DATA0 (CA)	1E97H	74H	00F7H	3AH	00D7H	1DH	0097H
CAN_MSG10DATA0 (CA)	1EA7H	75H	00E7H	3AH	00E7H	1DH	00A7H
CAN_MSG11DATA0 (CA)	1EB7H	75H	00F7H	3AH	00F7H	1DH	00B7H
CAN_MSG12DATA0 (CA)	1EC7H	76H	00E7H	3BH	00C7H	1DH	00C7H
CAN_MSG13DATA0 (CA)	1ED7H	76H	00F7H	3BH	00D7H	1DH	00D7H
CAN_MSG14DATA0 (CA)	1EE7H	77H	00E7H	3BH	00E7H	1DH	00E7H

† Must be addressed as a word.

WSR
Table C-24. WSR Settings and Direct Addresses for Windowable SFRs (Continued)

Register Mnemonic	Memory Location	32-Byte Windows (00E0–00FFH)		64-Byte Windows (00C0–00FFH)		128-Byte Windows (0080–00FFH)	
		WSR	Direct Address	WSR	Direct Address	WSR	Direct Address
CAN_MSG15DATA0 (CA)	1EF7H	77H	00F7H	3BH	00F7H	1DH	00F7H
CAN_MSG1DATA1 (CA)	1E18H	70H	00F8H	38H	00D8H	1CH	0098H
CAN_MSG2DATA1 (CA)	1E28H	71H	00E8H	38H	00E8H	1CH	00A8H
CAN_MSG3DATA1 (CA)	1E38H	71H	00F8H	38H	00F8H	1CH	00B8H
CAN_MSG4DATA1 (CA)	1E48H	72H	00E8H	39H	00C8H	1CH	00C8H
CAN_MSG5DATA1 (CA)	1E58H	72H	00F8H	39H	00D8H	1CH	00D8H
CAN_MSG6DATA1 (CA)	1E68H	73H	00E8H	39H	00E8H	1CH	00E8H
CAN_MSG7DATA1 (CA)	1E78H	73H	00F8H	39H	00F8H	1CH	00F8H
CAN_MSG8DATA1 (CA)	1E88H	74H	00E8H	3AH	00C8H	1DH	0088H
CAN_MSG9DATA1 (CA)	1E98H	74H	00F8H	3AH	00D8H	1DH	0098H
CAN_MSG10DATA1 (CA)	1EA8H	75H	00E8H	3AH	00E8H	1DH	00A8H
CAN_MSG11DATA1 (CA)	1EB8H	75H	00F8H	3AH	00F8H	1DH	00B8H
CAN_MSG12DATA1 (CA)	1EC8H	76H	00E8H	3BH	00C8H	1DH	00C8H
CAN_MSG13DATA1 (CA)	1ED8H	76H	00F8H	3BH	00D8H	1DH	00D8H
CAN_MSG14DATA1 (CA)	1EE8H	77H	00E8H	3BH	00E8H	1DH	00E8H
CAN_MSG15DATA1 (CA)	1EF8H	77H	00F8H	3BH	00F8H	1DH	00F8H
CAN_MSG1DATA2 (CA)	1E19H	70H	00F9H	38H	00D9H	1CH	0099H
CAN_MSG2DATA2 (CA)	1E29H	71H	00E9H	38H	00E9H	1CH	00A9H
CAN_MSG3DATA2 (CA)	1E39H	71H	00F9H	38H	00F9H	1CH	00B9H
CAN_MSG4DATA2 (CA)	1E49H	72H	00E9H	39H	00C9H	1CH	00C9H
CAN_MSG5DATA2 (CA)	1E59H	72H	00F9H	39H	00D9H	1CH	00D9H
CAN_MSG6DATA2 (CA)	1E69H	73H	00E9H	39H	00E9H	1CH	00E9H
CAN_MSG7DATA2 (CA)	1E79H	73H	00F9H	39H	00F9H	1CH	00F9H
CAN_MSG8DATA2 (CA)	1E89H	74H	00E9H	3AH	00C9H	1DH	0089H
CAN_MSG9DATA2 (CA)	1E99H	74H	00F9H	3AH	00D9H	1DH	0099H
CAN_MSG10DATA2 (CA)	1EA9H	75H	00E9H	3AH	00E9H	1DH	00A9H
CAN_MSG11DATA2 (CA)	1EB9H	75H	00F9H	3AH	00F9H	1DH	00B9H
CAN_MSG12DATA2 (CA)	1EC9H	76H	00E9H	3BH	00C9H	1DH	00C9H
CAN_MSG13DATA2 (CA)	1ED9H	76H	00F9H	3BH	00D9H	1DH	00D9H
CAN_MSG14DATA2 (CA)	1EE9H	77H	00E9H	3BH	00E9H	1DH	00E9H
CAN_MSG15DATA2 (CA)	1EF9H	77H	00F9H	3BH	00F9H	1DH	00F9H

† Must be addressed as a word.

WSR

Table C-24. WSR Settings and Direct Addresses for Windowable SFRs (Continued)

Register Mnemonic	Memory Location	32-Byte Windows (00E0–00FFH)		64-Byte Windows (00C0–00FFH)		128-Byte Windows (0080–00FFH)	
		WSR	Direct Address	WSR	Direct Address	WSR	Direct Address
CAN_MSG1DATA3 (CA)	1E1AH	70H	00FAH	38H	00DAH	1CH	009AH
CAN_MSG2DATA3 (CA)	1E2AH	71H	00EAH	38H	00EAH	1CH	00AAH
CAN_MSG3DATA3 (CA)	1E3AH	71H	00FAH	38H	00FAH	1CH	00BAH
CAN_MSG4DATA3 (CA)	1E4AH	72H	00EAH	39H	00CAH	1CH	00CAH
CAN_MSG5DATA3 (CA)	1E5AH	72H	00FAH	39H	00DAH	1CH	00DAH
CAN_MSG6DATA3 (CA)	1E6AH	73H	00EAH	39H	00EAH	1CH	00EAH
CAN_MSG7DATA3 (CA)	1E7AH	73H	00FAH	39H	00FAH	1CH	00FAH
CAN_MSG8DATA3 (CA)	1E8AH	74H	00EAH	3AH	00CAH	1DH	008AH
CAN_MSG9DATA3 (CA)	1E9AH	74H	00FAH	3AH	00DAH	1DH	009AH
CAN_MSG10DATA3 (CA)	1EAAH	75H	00EAH	3AH	00EAH	1DH	00AAH
CAN_MSG11DATA3 (CA)	1EBAH	75H	00FAH	3AH	00FAH	1DH	00BAH
CAN_MSG12DATA3 (CA)	1ECAH	76H	00EAH	3BH	00CAH	1DH	00CAH
CAN_MSG13DATA3 (CA)	1EDAH	76H	00FAH	3BH	00DAH	1DH	00DAH
CAN_MSG14DATA3 (CA)	1EEAH	77H	00EAH	3BH	00EAH	1DH	00EAH
CAN_MSG15DATA3 (CA)	1EFAH	77H	00FAH	3BH	00FAH	1DH	00FAH
CAN_MSG1DATA4 (CA)	1E1BH	70H	00FBH	38H	00DBH	1CH	009BH
CAN_MSG2DATA4 (CA)	1E2BH	71H	00EBH	38H	00EBH	1CH	00ABH
CAN_MSG3DATA4 (CA)	1E3BH	71H	00FBH	38H	00FBH	1CH	00BBH
CAN_MSG4DATA4 (CA)	1E4BH	72H	00EBH	39H	00CBH	1CH	00CBH
CAN_MSG5DATA4 (CA)	1E5BH	72H	00FBH	39H	00DBH	1CH	00DBH
CAN_MSG6DATA4 (CA)	1E6BH	73H	00EBH	39H	00EBH	1CH	00EBH
CAN_MSG7DATA4 (CA)	1E7BH	73H	00FBH	39H	00FBH	1CH	00FBH
CAN_MSG8DATA4 (CA)	1E8BH	74H	00EBH	3AH	00CBH	1DH	008BH
CAN_MSG9DATA4 (CA)	1E9BH	74H	00FBH	3AH	00DBH	1DH	009BH
CAN_MSG10DATA4 (CA)	1EABH	75H	00EBH	3AH	00EBH	1DH	00ABH
CAN_MSG11DATA4 (CA)	1EBBH	75H	00FBH	3AH	00FBH	1DH	00BBH
CAN_MSG12DATA4 (CA)	1ECBH	76H	00EBH	3BH	00CBH	1DH	00CBH
CAN_MSG13DATA4 (CA)	1EDBH	76H	00FBH	3BH	00DBH	1DH	00DBH
CAN_MSG14DATA4 (CA)	1EEBH	77H	00EBH	3BH	00EBH	1DH	00EBH
CAN_MSG15DATA4 (CA)	1EFBH	77H	00FBH	3BH	00FBH	1DH	00FBH
CAN_MSG1DATA5 (CA)	1E1CH	70H	00FCH	38H	00DCH	1CH	009CH

† Must be addressed as a word.

WSR
Table C-24. WSR Settings and Direct Addresses for Windowable SFRs (Continued)

Register Mnemonic	Memory Location	32-Byte Windows (00E0–00FFH)		64-Byte Windows (00C0–00FFH)		128-Byte Windows (0080–00FFH)	
		WSR	Direct Address	WSR	Direct Address	WSR	Direct Address
CAN_MSG2DATA5 (CA)	1E2CH	71H	00ECH	38H	00ECH	1CH	00ACH
CAN_MSG3DATA5 (CA)	1E3CH	71H	00FCH	38H	00FCH	1CH	00BCH
CAN_MSG4DATA5 (CA)	1E4CH	72H	00ECH	39H	00CCH	1CH	00CCH
CAN_MSG5DATA5 (CA)	1E5CH	72H	00FCH	39H	00DCH	1CH	00DCH
CAN_MSG6DATA5 (CA)	1E6CH	73H	00ECH	39H	00ECH	1CH	00ECH
CAN_MSG7DATA5 (CA)	1E7CH	73H	00FCH	39H	00FCH	1CH	00FCH
CAN_MSG8DATA5 (CA)	1E8CH	74H	00ECH	3AH	00CCH	1DH	008CH
CAN_MSG9DATA5 (CA)	1E9CH	74H	00FCH	3AH	00DCH	1DH	009CH
CAN_MSG10DATA5 (CA)	1EACH	75H	00ECH	3AH	00ECH	1DH	00ACH
CAN_MSG11DATA5 (CA)	1EBCH	75H	00FCH	3AH	00FCH	1DH	00BCH
CAN_MSG12DATA5 (CA)	1ECCH	76H	00ECH	3BH	00CCH	1DH	00CCH
CAN_MSG13DATA5 (CA)	1EDCH	76H	00FCH	3BH	00DCH	1DH	00DCH
CAN_MSG14DATA5 (CA)	1EECH	77H	00ECH	3BH	00ECH	1DH	00ECH
CAN_MSG15DATA5 (CA)	1EFCH	77H	00FCH	3BH	00FCH	1DH	00FCH
CAN_MSG1DATA6 (CA)	1E1DH	70H	00FDH	38H	00DDH	1CH	009DH
CAN_MSG2DATA6 (CA)	1E2DH	71H	00EDH	38H	00EDH	1CH	00ADH
CAN_MSG3DATA6 (CA)	1E3DH	71H	00FDH	38H	00FDH	1CH	00BDH
CAN_MSG4DATA6 (CA)	1E4DH	72H	00EDH	39H	00CDH	1CH	00CDH
CAN_MSG5DATA6 (CA)	1E5DH	72H	00FDH	39H	00DDH	1CH	00DDH
CAN_MSG6DATA6 (CA)	1E6DH	73H	00EDH	39H	00EDH	1CH	00EDH
CAN_MSG7DATA6 (CA)	1E7DH	73H	00FDH	39H	00FDH	1CH	00FDH
CAN_MSG8DATA6 (CA)	1E8DH	74H	00EDH	3AH	00CDH	1DH	008DH
CAN_MSG9DATA6 (CA)	1E9DH	74H	00FDH	3AH	00DDH	1DH	009DH
CAN_MSG10DATA6 (CA)	1EADH	75H	00EDH	3AH	00EDH	1DH	00ADH
CAN_MSG11DATA6 (CA)	1EBDH	75H	00FDH	3AH	00FDH	1DH	00BDH
CAN_MSG12DATA6 (CA)	1ECDH	76H	00EDH	3BH	00CDH	1DH	00CDH
CAN_MSG13DATA6 (CA)	1EDDH	76H	00FDH	3BH	00DDH	1DH	00DDH
CAN_MSG14DATA6 (CA)	1EEDH	77H	00EDH	3BH	00EDH	1DH	00EDH
CAN_MSG15DATA6 (CA)	1EFDH	77H	00FDH	3BH	00FDH	1DH	00FDH
CAN_MSG1DATA7 (CA)	1E1EH	70H	00FEH	38H	00DEH	1CH	009EH
CAN_MSG2DATA7 (CA)	1E2EH	71H	00EEH	38H	00EEH	1CH	00AEH

† Must be addressed as a word.

WSR

Table C-24. WSR Settings and Direct Addresses for Windowable SFRs (Continued)

Register Mnemonic	Memory Location	32-Byte Windows (00E0–00FFH)		64-Byte Windows (00C0–00FFH)		128-Byte Windows (0080–00FFH)	
		WSR	Direct Address	WSR	Direct Address	WSR	Direct Address
CAN_MSG3DATA7 (CA)	1E3EH	71H	00FEH	38H	00FEH	1CH	00BEH
CAN_MSG4DATA7 (CA)	1E4EH	72H	00EEH	39H	00CEH	1CH	00CEH
CAN_MSG5DATA7 (CA)	1E5EH	72H	00FEH	39H	00DEH	1CH	00DEH
CAN_MSG6DATA7 (CA)	1E6EH	73H	00EEH	39H	00EEH	1CH	00EEH
CAN_MSG7DATA7 (CA)	1E7EH	73H	00FEH	39H	00FEH	1CH	00FEH
CAN_MSG8DATA7 (CA)	1E8EH	74H	00EEH	3AH	00CEH	1DH	008EH
CAN_MSG9DATA7 (CA)	1E9EH	74H	00FEH	3AH	00DEH	1DH	009EH
CAN_MSG10DATA7 (CA)	1EAEH	75H	00EEH	3AH	00EEH	1DH	00AEH
CAN_MSG11DATA7 (CA)	1EBEH	75H	00FEH	3AH	00FEH	1DH	00BEH
CAN_MSG12DATA7 (CA)	1ECEH	76H	00EEH	3BH	00CEH	1DH	00CEH
CAN_MSG13DATA7 (CA)	1EDEH	76H	00FEH	3BH	00DEH	1DH	00DEH
CAN_MSG14DATA7 (CA)	1EEEH	77H	00EEH	3BH	00EEH	1DH	00EEH
CAN_MSG15DATA7 (CA)	1EFEH	77H	00FEH	3BH	00FEH	1DH	00FEH
CAN_MSG1ID0 (CA)	1E12H	70H	00F2H	38H	00D2H	1CH	0092H
CAN_MSG2ID0 (CA)	1E22H	71H	00E2H	38H	00E2H	1CH	00A2H
CAN_MSG3ID0 (CA)	1E32H	71H	00F2H	38H	00F2H	1CH	00B2H
CAN_MSG4ID0 (CA)	1E42H	72H	00E2H	39H	00C2H	1CH	00C2H
CAN_MSG5ID0 (CA)	1E52H	72H	00F2H	39H	00D2H	1CH	00D2H
CAN_MSG6ID0 (CA)	1E62H	73H	00E2H	39H	00E2H	1CH	00E2H
CAN_MSG7ID0 (CA)	1E72H	73H	00F2H	39H	00F2H	1CH	00F2H
CAN_MSG8ID0 (CA)	1E82H	74H	00E2H	3AH	00C2H	1DH	0082H
CAN_MSG9ID0 (CA)	1E92H	74H	00F2H	3AH	00D2H	1DH	0092H
CAN_MSG10ID0 (CA)	1EA2H	75H	00E2H	3AH	00E2H	1DH	00A2H
CAN_MSG11ID0 (CA)	1EB2H	75H	00F2H	3AH	00F2H	1DH	00B2H
CAN_MSG12ID0 (CA)	1EC2H	76H	00E2H	3BH	00C2H	1DH	00C2H
CAN_MSG13ID0 (CA)	1ED2H	76H	00F2H	3BH	00D2H	1DH	00D2H
CAN_MSG14ID0 (CA)	1EE2H	77H	00E2H	3BH	00E2H	1DH	00E2H
CAN_MSG15ID0 (CA)	1EF2H	77H	00F2H	3BH	00F2H	1DH	00F2H
CAN_MSG1ID1 (CA)	1E13H	70H	00F3H	38H	00D3H	1CH	0093H
CAN_MSG2ID1 (CA)	1E23H	71H	00E3H	38H	00E3H	1CH	00A3H
CAN_MSG3ID1 (CA)	1E33H	71H	00F3H	38H	00F3H	1CH	00B3H

† Must be addressed as a word.

WSR
Table C-24. WSR Settings and Direct Addresses for Windowable SFRs (Continued)

Register Mnemonic	Memory Location	32-Byte Windows (00E0–00FFH)		64-Byte Windows (00C0–00FFH)		128-Byte Windows (0080–00FFH)	
		WSR	Direct Address	WSR	Direct Address	WSR	Direct Address
CAN_MSG4ID1 (CA)	1E43H	72H	00E3H	39H	00C3H	1CH	00C3H
CAN_MSG5ID1 (CA)	1E53H	72H	00F3H	39H	00D3H	1CH	00D3H
CAN_MSG6ID1 (CA)	1E63H	73H	00E3H	39H	00E3H	1CH	00E3H
CAN_MSG7ID1 (CA)	1E73H	73H	00F3H	39H	00F3H	1CH	00F3H
CAN_MSG8ID1 (CA)	1E83H	74H	00E3H	3AH	00C3H	1DH	0083H
CAN_MSG9ID1 (CA)	1E93H	74H	00F3H	3AH	00D3H	1DH	0093H
CAN_MSG10ID1 (CA)	1EA3H	75H	00E3H	3AH	00E3H	1DH	00A3H
CAN_MSG11ID1 (CA)	1EB3H	75H	00F3H	3AH	00F3H	1DH	00B3H
CAN_MSG12ID1 (CA)	1EC3H	76H	00E3H	3BH	00C3H	1DH	00C3H
CAN_MSG13ID1 (CA)	1ED3H	76H	00F3H	3BH	00D3H	1DH	00D3H
CAN_MSG14ID1 (CA)	1EE3H	77H	00E3H	3BH	00E3H	1DH	00E3H
CAN_MSG15ID1 (CA)	1EF3H	77H	00F3H	3BH	00F3H	1DH	00F3H
CAN_MSG1ID2 (CA)	1E14H	70H	00F4H	38H	00D4H	1CH	0094H
CAN_MSG2ID2 (CA)	1E24H	71H	00E4H	38H	00E4H	1CH	00A4H
CAN_MSG3ID2 (CA)	1E34H	71H	00F4H	38H	00F4H	1CH	00B4H
CAN_MSG4ID2 (CA)	1E44H	72H	00E4H	39H	00C4H	1CH	00C4H
CAN_MSG5ID2 (CA)	1E54H	72H	00F4H	39H	00D4H	1CH	00D4H
CAN_MSG6ID2 (CA)	1E64H	73H	00E4H	39H	00E4H	1CH	00E4H
CAN_MSG7ID2 (CA)	1E74H	73H	00F4H	39H	00F4H	1CH	00F4H
CAN_MSG8ID2 (CA)	1E84H	74H	00E4H	3AH	00C4H	1DH	0084H
CAN_MSG9ID2 (CA)	1E94H	74H	00F4H	3AH	00D4H	1DH	0094H
CAN_MSG10ID2 (CA)	1EA4H	75H	00E4H	3AH	00E4H	1DH	00A4H
CAN_MSG11ID2 (CA)	1EB4H	75H	00F4H	3AH	00F4H	1DH	00B4H
CAN_MSG12ID2 (CA)	1EC4H	76H	00E4H	3BH	00C4H	1DH	00C4H
CAN_MSG13ID2 (CA)	1ED4H	76H	00F4H	3BH	00D4H	1DH	00D4H
CAN_MSG14ID2 (CA)	1EE4H	77H	00E4H	3BH	00E4H	1DH	00E4H
CAN_MSG15ID2 (CA)	1EF4H	77H	00F4H	3BH	00F4H	1DH	00F4H
CAN_MSG1ID3 (CA)	1E15H	70H	00F5H	38H	00D5H	1CH	0095H
CAN_MSG2ID3 (CA)	1E25H	71H	00E5H	38H	00E5H	1CH	00A5H
CAN_MSG3ID3 (CA)	1E35H	71H	00F5H	38H	00F5H	1CH	00B5H
CAN_MSG4ID3 (CA)	1E45H	72H	00E5H	39H	00C5H	1CH	00C5H

† Must be addressed as a word.

WSR

Table C-24. WSR Settings and Direct Addresses for Windowable SFRs (Continued)

Register Mnemonic	Memory Location	32-Byte Windows (00E0–00FFH)		64-Byte Windows (00C0–00FFH)		128-Byte Windows (0080–00FFH)	
		WSR	Direct Address	WSR	Direct Address	WSR	Direct Address
CAN_MSG5ID3 (CA)	1E55H	72H	00F5H	39H	00D5H	1CH	00D5H
CAN_MSG6ID3 (CA)	1E65H	73H	00E5H	39H	00E5H	1CH	00E5H
CAN_MSG7ID3 (CA)	1E75H	73H	00F5H	39H	00F5H	1CH	00F5H
CAN_MSG8ID3 (CA)	1E85H	74H	00E5H	3AH	00C5H	1DH	0085H
CAN_MSG9ID3 (CA)	1E95H	74H	00F5H	3AH	00D5H	1DH	0095H
CAN_MSG10ID3 (CA)	1EA5H	75H	00E5H	3AH	00E5H	1DH	00A5H
CAN_MSG11ID3 (CA)	1EB5H	75H	00F5H	3AH	00F5H	1DH	00B5H
CAN_MSG12ID3 (CA)	1EC5H	76H	00E5H	3BH	00C5H	1DH	00C5H
CAN_MSG13ID3 (CA)	1ED5H	76H	00F5H	3BH	00D5H	1DH	00D5H
CAN_MSG14ID3 (CA)	1EE5H	77H	00E5H	3BH	00E5H	1DH	00E5H
CAN_MSG15ID3 (CA)	1EF5H	77H	00F5H	3BH	00F5H	1DH	00F5H
CAN_MSK15 (CA)	1E0CH	70H	00ECH	38H	00CCH	1CH	008CH
CAN_SGMSK (CA)	1E06H	70H	00E6H	38H	00C6H	1CH	0086H
CAN_STAT (CA)	1E01H	70H	00E1H	38H	00C1H	1CH	0081H
COMP0_CON	1F88H	7CH	00E8H	3EH	00C8H	1FH	0088H
COMP0_TIME†	1F8AH	7CH	00EAH	3EH	00CAH	1FH	008AH
COMP1_CON	1F8CH	7CH	00ECH	3EH	00CCH	1FH	008CH
COMP1_TIME†	1F8EH	7CH	00EEH	3EH	00CEH	1FH	008EH
EPA_MASK†	1FA0H	7DH	00E0H	3EH	00E0H	1FH	00A0H
EPA_MASK1	1FA4H	7DH	00E4H	3EH	00E4H	1FH	00A4H
EPA_PEND†	1FA2H	7DH	00E2H	3EH	00E2H	1FH	00A2H
EPA_PEND1	1FA6H	7DH	00E6H	3EH	00E6H	1FH	00A6H
EPA0_CON	1F60H	7BH	00E0H	3DH	00E0H	1EH	00E0H
EPA0_TIME†	1F62H	7BH	00E2H	3DH	00E2H	1EH	00E2H
EPA1_CON†	1F64H	7BH	00E4H	3DH	00E4H	1EH	00E4H
EPA1_TIME†	1F66H	7BH	00E6H	3DH	00E6H	1EH	00E6H
EPA2_CON	1F68H	7BH	00E8H	3DH	00E8H	1EH	00E8H
EPA2_TIME†	1F6AH	7BH	00EAH	3DH	00EAH	1EH	00EAH
EPA3_CON†	1F6CH	7BH	00ECH	3DH	00ECH	1EH	00ECH
EPA3_TIME†	1F6EH	7BH	00EEH	3DH	00EEH	1EH	00EEH
EPA4_CON (Kx)	1F70H	7BH	00F0H	3DH	00F0H	1EH	00F0H

† Must be addressed as a word.

WSR
Table C-24. WSR Settings and Direct Addresses for Windowable SFRs (Continued)

Register Mnemonic	Memory Location	32-Byte Windows (00E0–00FFH)		64-Byte Windows (00C0–00FFH)		128-Byte Windows (0080–00FFH)	
		WSR	Direct Address	WSR	Direct Address	WSR	Direct Address
EPA4_TIME† (Kx)	1F72H	7BH	00F2H	3DH	00F2H	1EH	00F2H
EPA5_CON (Kx)	1F74H	7BH	00F4H	3DH	00F4H	1EH	00F4H
EPA5_TIME† (Kx)	1F76H	7BH	00F6H	3DH	00F6H	1EH	00F6H
EPA6_CON (Kx)	1F78H	7BH	00F8H	3DH	00F8H	1EH	00F8H
EPA6_TIME† (Kx)	1F7AH	7BH	00FAH	3DH	00FAH	1EH	00FAH
EPA7_CON (Kx)	1F7CH	7BH	00FCH	3DH	00FCH	1EH	00FCH
EPA7_TIME† (Kx)	1F7EH	7BH	00FEH	3DH	00FEH	1EH	00FEH
EPA8_CON	1F80H	7CH	00E0H	3EH	00C0H	1FH	0080H
EPA8_TIME†	1F82H	7CH	00E2H	3EH	00C2H	1FH	0082H
EPA9_CON	1F84H	7CH	00E4H	3EH	00C4H	1FH	0084H
EPA9_TIME†	1F86H	7CH	00E6H	3EH	00C6H	1FH	0086H
EPAIPV	1FA8H	7DH	00E8H	3EH	00E8H	1FH	00A8H
P0_PIN	1FDAH	7EH	00FAH	3FH	00DAH	1FH	00DAH
P1_DIR	1FD2H	7EH	00F2H	3FH	00D2H	1FH	00D2H
P1_MODE	1FD0H	7EH	00F0H	3FH	00D0H	1FH	00D0H
P1_PIN	1FD6H	7EH	00F6H	3FH	00D6H	1FH	00D6H
P1_REG	1FD4H	7EH	00F4H	3FH	00D4H	1FH	00D4H
P2_DIR	1FCBH	7EH	00EBH	3FH	00CBH	1FH	00CBH
P2_MODE	1FC9H	7EH	00E9H	3FH	00C9H	1FH	00C9H
P2_PIN	1FCFH	7EH	00EFH	3FH	00CFH	1FH	00CFH
P2_REG	1FCDH	7EH	00EDH	3FH	00CDH	1FH	00CDH
P6_DIR	1FD3H	7EH	00F3H	3FH	00D3H	1FH	00D3H
P6_MODE	1FD1H	7EH	00F1H	3FH	00D1H	1FH	00D1H
P6_PIN	1FD7H	7EH	00F7H	3FH	00D7H	1FH	00D7H
P6_REG	1FD5H	7EH	00F5H	3FH	00D5H	1FH	00D5H
SBUF_RX	1FB8H	7DH	00F8H	3EH	00F8H	1FH	00B8H
SBUF_TX	1FBAH	7DH	00FAH	3EH	00FAH	1FH	00BAH
SP_BAUD†	1FBCH	7DH	00FCH	3EH	00FCH	1FH	00BCH
SP_CON	1FBBH	7DH	00FBH	3EH	00FBH	1FH	00BBH
SP_STATUS	1FB9H	7DH	00F9H	3EH	00F9H	1FH	00B9H
SSIO_BAUD	1FB4H	7DH	00F4H	3EH	00F4H	1FH	00B4H

† Must be addressed as a word.

WSR

Table C-24. WSR Settings and Direct Addresses for Windowable SFRs (Continued)

Register Mnemonic	Memory Location	32-Byte Windows (00E0–00FFH)		64-Byte Windows (00C0–00FFH)		128-Byte Windows (0080–00FFH)	
		WSR	Direct Address	WSR	Direct Address	WSR	Direct Address
SSIO0_BUF	1FB0H	7DH	00F0H	3EH	00F0H	1FH	00B0H
SSIO0_CON	1FB1H	7DH	00F1H	3EH	00F1H	1FH	00B1H
SSIO1_BUF	1FB2H	7DH	00F2H	3EH	00F2H	1FH	00B2H
SSIO1_CON	1FB3H	7DH	00F3H	3EH	00F3H	1FH	00B3H
T1CONTROL	1F98H	7CH	00F8H	3EH	00D8H	1FH	0098H
T2CONTROL	1F9CH	7CH	00FCH	3EH	00DCH	1FH	009CH
TIMER1 †	1F9AH	7CH	00FAH	3EH	00DAH	1FH	009AH
TIMER2 †	1F9EH	7CH	00FEH	3EH	00DEH	1FH	009EH

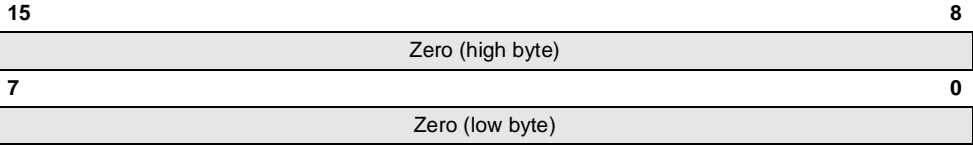
† Must be addressed as a word.

ZERO_REG

ZERO_REG

Address: 00H
Reset State: 0000H

The two-byte zero register (ZERO_REG) is always equal to zero. It is useful as a fixed source of the constant zero for comparisons and calculations. ZERO_REG can also be used as the WORD variable in a long-indexed reference. This combination of register selection and address mode enables direct addressing of any location in memory. A Cmpl (compare long) instruction with ZERO_REG forces a compare with a “generated” 32-bit zero value.



Bit Number	Function
15:0	Zero This register is always equal to zero.



ZERO_REG





Glossary



GLOSSARY

This glossary defines acronyms, abbreviations, and terms that have special meaning in this manual. (Chapter 1 discusses notational conventions and general terminology.)

absolute error	The maximum difference between corresponding actual and ideal <i>code transitions</i> . Absolute error accounts for all deviations of an actual A/D converter from an ideal converter.
accumulator	A register or storage location that forms the result of an arithmetic or logical operation.
actual characteristic	A graph of output code versus input voltage of an actual <i>A/D converter</i> . An actual characteristic may vary with temperature, supply voltage, and frequency conditions.
A/D converter	Analog-to-digital converter.
ALU	Arithmetic-logic unit. The part of the <i>RALU</i> that processes arithmetic and logical operations.
assert	The act of making a signal active (enabled). The polarity (high or low) is defined by the signal name. Active-low signals are designated by a pound symbol (#) suffix; active-high signals have no suffix. To assert RD# is to drive it low; to assert ALE is to drive it high.
attenuation	A decrease in amplitude; voltage decay.
bit	A binary digit.
BIT	A single-bit operand that can take on the Boolean values, “true” and “false.”
break-before-make	The property of a multiplexer which guarantees that a previously selected channel is deselected before a new channel is selected. (That is, break-before-make ensures that the <i>A/D converter</i> will not short inputs together.)
byte	Any 8-bit unit of data.
BYTE	An unsigned, 8-bit variable with values from 0 through 2^8-1 .

CAN	Controller area network. The 8XC196CA's integrated networking peripheral, similar to Intel's standalone 82527 CAN serial communications controller, that supports CAN specification 2.0.
CCBs	Chip configuration bytes. The chip configuration registers (<i>CCRs</i>) are loaded with the contents of the <i>CCBs</i> after a device reset, unless the device is entering programming modes, in which case the <i>PCCBs</i> is used.
CCRs	Chip configuration registers. Registers that specify the environment in which the device will be operating. The chip configuration registers are loaded with the contents of the <i>CCBs</i> after a device reset unless the device is entering programming modes, in which case the <i>PCCBs</i> are used.
channel-to-channel matching error	The difference between corresponding <i>code transitions</i> of actual characteristics taken from different <i>A/D converter</i> channels under the same temperature, voltage, and frequency conditions. This error is caused by differences in <i>DC input leakage</i> and on-channel resistance from one multiplexer channel to another.
characteristic	A graph of output code versus input voltage; the <i>transfer function</i> of an <i>A/D converter</i> .
clear	The "0" value of a bit or the act of giving it a "0" value. See also <i>set</i> .
code	1) A set of instructions that perform a specific function; a program. 2) The digital value output by the <i>A/D converter</i> .
code center	The voltage corresponding to the midpoint between two adjacent <i>code transitions</i> on the <i>A/D converter</i> .
code transition	The point at which the <i>A/D converter's</i> output code changes from "Q" to "Q+1." The input voltage corresponding to a code transition is defined as the voltage that is equally likely to produce either of two adjacent codes.

code width	The voltage change corresponding to the difference between two adjacent <i>code transitions</i> . Code width deviations cause <i>differential nonlinearity</i> and <i>nonlinearity</i> errors.
crosstalk	See <i>off-isolation</i> .
DC input leakage	Leakage current from an analog input pin to ground.
deassert	The act of making a signal inactive (disabled). The polarity (high or low) is defined by the signal name. Active-low signals are designated by a pound symbol (#) suffix; active-high signals have no suffix. To deassert RD# is to drive it high; to deassert ALE is to drive it low.
differential nonlinearity	The difference between the actual <i>code width</i> and the ideal one-LSB code width of the <i>terminal-based characteristic</i> of an A/D converter. It provides a measure of how much the input voltage may have changed in order to produce a one-count change in the conversion result. <i>Differential nonlinearity</i> is a measure of local code-width error; <i>nonlinearity</i> is a measure of overall code-transition error.
doping	The process of introducing a periodic table Group III or Group V element into a Group IV element (e.g., silicon). A Group III impurity (e.g., indium or gallium) results in a <i>p-type</i> material. A Group V impurity (e.g., arsenic or antimony) results in an <i>n-type</i> material.
double-word	Any 32-bit unit of data.
DOUBLE-WORD	An unsigned, 32-bit variable with values from 0 through $2^{32}-1$.
DPRAM	Dual-port RAM. A type of random-access memory commonly used to hold shared data when using a parallel bus for communication between two CPUs.
EPA	Event processor array. An integrated peripheral that provides high-speed input/output capability.
EPROM	Erasable, programmable read-only-memory.
ESD	Electrostatic discharge.

feedthrough	The <i>attenuation</i> from an input voltage on the selected channel to the A/D output after the <i>sample window</i> closes. The ability of the <i>A/D converter</i> to reject an input on its selected channel after the sample window closes.
FET	Field-effect transistor.
full-scale error	The difference between the ideal and actual input voltage corresponding to the final (full-scale) <i>code transition</i> of an <i>A/D converter</i> .
hold latency	The time it takes the microcontroller to assert HLDA# after an external device asserts HOLD#.
ideal characteristic	The <i>characteristic</i> of an ideal <i>A/D converter</i> . An ideal characteristic is unique: its first <i>code transition</i> occurs when the input voltage is 0.5 LSB, its full-scale (final) code transition occurs when the input voltage is 1.5 LSB less than the full-scale reference, and its code widths are all exactly 1.0 LSB. These properties result in a conversion without <i>zero offset</i> , <i>full-scale</i> , or <i>linearity</i> errors. <i>Quantizing error</i> is the only error seen in an ideal A/D converter.
input leakage	Current leakage from an input pin to power or ground.
input series resistance	The effective series resistance from an analog input pin to the <i>sample capacitor</i> of an <i>A/D converter</i> .
integer	Any member of the set consisting of the positive and negative whole numbers and zero.
INTEGER	A 16-bit, signed variable with values from -2^{15} through $+2^{15}-1$.
interrupt controller	The module responsible for handling interrupts that are to be serviced by <i>interrupt service routines</i> that you provide. Also called the <i>programmable interrupt controller (PIC)</i> .
interrupt latency	The total delay between the time that an interrupt is generated (not acknowledged) and the time that the device begins executing the <i>interrupt service routine</i> or <i>PTS routine</i> .
interrupt service routine	A software routine that you provide to service a standard interrupt. See also <i>PTS routine</i> .

interrupt vector	A location in <i>special-purpose memory</i> that holds the starting address of an <i>interrupt service routine</i> .
ISR	See <i>interrupt service routine</i> .
linearity errors	See <i>differential nonlinearity</i> and <i>nonlinearity</i> .
LONG-INTEGER	A 32-bit, signed variable with values from -2^{31} through $+2^{31}-1$.
LSB	1) Least-significant bit of a byte or least-significant byte of a word. 2) In an A/D converter, the reference voltage divided by 2^n , where n is the number of bits to be converted. For a 10-bit converter with a reference voltage of 5.12 volts, one LSB is equal to 5.0 millivolts ($5.12 \div 2^{10}$)
maskable interrupts	All interrupts except unimplemented opcode, software trap, and NMI. Maskable interrupts can be disabled (masked) by the individual mask bits in the interrupt mask registers, and their servicing can be disabled by the global interrupt enable bit. Each <i>maskable interrupt</i> can be assigned to the <i>PTS</i> for processing.
monotonic	The property of <i>successive approximation</i> converters which guarantees that increasing input voltages produce adjacent <i>codes</i> of increasing value, and that decreasing input voltages produce adjacent codes of decreasing value. (In other words, a converter is monotonic if every code change represents an input voltage change in the same direction.) Large <i>differential nonlinearity</i> errors can cause the converter to exhibit nonmonotonic behavior.
MSB	Most-significant bit of a <i>byte</i> or most-significant byte of a <i>word</i> .
<i>n</i>-channel FET	A field-effect transistor with an <i>n</i> -type conducting path (channel).
<i>n</i>-type material	Semiconductor material with introduced impurities (<i>doping</i>) causing it to have an excess of negatively charged carriers.

no missing codes	An A/D converter has <i>no missing codes</i> if, for every output code, there is a unique input voltage range which produces that code only. Large <i>differential nonlinearity</i> errors can cause the converter to miss codes.
nonlinearity	The maximum deviation of <i>code transitions</i> of the <i>terminal-based characteristic</i> from the corresponding code transitions of the <i>ideal characteristic</i> .
nonmaskable interrupts	Interrupts that cannot be masked (disabled) and cannot be assigned to the PTS for processing. The nonmaskable interrupts are unimplemented opcode, software trap, and NMI.
nonvolatile memory	Read-only memory that retains its contents when power is removed. Many MCS [®] 96 microcontrollers are available with either masked ROM, <i>EPROM</i> , or <i>OTPROM</i> . Consult the <i>Automotive Products</i> or <i>Embedded Microcontrollers</i> databook to determine which type of memory is available for a specific device.
npn transistor	A transistor consisting of one part <i>p</i> -type material and two parts <i>n</i> -type material.
off-isolation	The ability of an <i>A/D converter</i> to reject (isolate) the signal on a deselected (off) output.
OTPROM	One-time-programmable read-only memory. Similar to <i>EPROM</i> , but it comes in an unwindowed package and cannot be erased.
p-channel FET	A field-effect transistor with a <i>p</i> -type conducting path.
p-type material	Semiconductor material with introduced impurities (<i>doping</i>) causing it to have an excess of positively charged carriers.
PC	Program counter.
PCCBs	Programming chip configuration bytes, which are loaded into the chip configuration registers (<i>CCRs</i>) when the device is entering programming modes; otherwise, the <i>CCBs</i> are used.

PIC	Programmable interrupt controller. The module responsible for handling interrupts that are to be serviced by <i>interrupt service routines</i> that you provide. Also called simply the <i>interrupt controller</i> .
prioritized interrupt	Any <i>maskable interrupt</i> or nonmaskable NMI. Two of the <i>nonmaskable interrupts</i> (unimplemented opcode and software trap) are not prioritized; they vector directly to the <i>interrupt service routine</i> when executed.
program memory	A partition of memory where instructions can be stored for fetching and execution.
protected instruction	An instruction that prevents an interrupt from being acknowledged until after the next instruction executes. The protected instructions are DI, EI, DPTS, EPTS, POPA, POPF, PUSHA, and PUSHF.
PSW	Program status word. The high byte of the PSW is the status byte, which contains one bit that globally enables or disables servicing of all maskable interrupts, one bit that enables or disables the <i>PTS</i> , and six Boolean flags that reflect the state of the user's program. The low byte of the PSW is the INT_MASK register. A push or pop instruction saves or restores both bytes (PSW + INT_MASK).
PTS	Peripheral transaction server. The microcoded hardware interrupt processor.
PTSCB	See <i>PTS control block</i> .
PTS control block	A block of data required for each <i>PTS interrupt</i> . The microcode executes the proper <i>PTS routine</i> based on the contents of the PTS control block.
PTS cycle	The microcoded response to a single PTS interrupt request.
PTS interrupt	Any <i>maskable interrupt</i> that is assigned to the <i>PTS</i> for interrupt processing.
PTS mode	A microcoded response that enables the <i>PTS</i> to complete a specific task quickly. These tasks include transferring a single byte or word, transferring a block of bytes or words, managing multiple A/D conversions, and generating <i>PWM</i> outputs.

PTS routine	The entire microcoded response to multiple PTS interrupt requests. The PTS routine is controlled by the contents of the PTS control block.
PTS transfer	The movement of a single byte or word from the source memory location to the destination memory location.
PTS vector	A location in <i>special-purpose memory</i> that holds the starting address of a <i>PTS control block</i> .
PWM	Pulse-width modulated (outputs). The <i>EPA</i> can be used with or without the <i>PTS</i> to generate PWM outputs.
quantizing error	An unavoidable <i>A/D</i> conversion error that results simply from the conversion of a continuous voltage to its integer digital representation. Quantizing error is always ± 0.5 LSB and is the only error present in an ideal <i>A/D converter</i> .
RALU	Register arithmetic-logic unit. A part of the CPU that consists of the <i>ALU</i> , the <i>PSW</i> , the master <i>PC</i> , the microcode engine, a loop counter, and six registers.
repeatability error	The difference between corresponding <i>code transitions</i> from different <i>actual characteristics</i> taken from the same converter on the same channel with the same temperature, voltage, and frequency conditions. The amount of repeatability error depends on the comparator's ability to resolve very similar voltages and the extent to which random noise contributes to the error.
reserved memory	A memory location that is reserved for factory use or for future expansion. Do not use a reserved memory location except to initialize it with FFH.
resolution	The number of input voltage levels that an <i>A/D converter</i> can unambiguously distinguish between. The number of useful bits of information that the converter can return.
sample capacitor	A small (2–3 pF) capacitor used in the <i>A/D converter</i> circuitry to store the input voltage on the selected input channel.

sample delay	The time period between the time that <i>A/D converter</i> receives the “start conversion” signal and the time that the <i>sample capacitor</i> is connected to the selected channel.
sample delay uncertainty	The variation in the <i>sample delay</i> .
sample time	The period of time that the <i>sample window</i> is open. (That is, the length of time that the input channel is actually connected to the <i>sample capacitor</i> .)
sample time uncertainty	The variation in the <i>sample time</i> .
sample window	The period of time that begins when the <i>sample capacitor</i> is attached to a selected channel of an <i>A/D converter</i> and ends when the sample capacitor is disconnected from the selected channel.
sampled inputs	<p>All input pins, with the exception of RESET#, are sampled inputs. The input pin is sampled one state time before the read buffer is enabled. Sampling occurs during PH1 (while CLKOUT is low) and resolves the value (high or low) of the pin before it is presented to the internal bus. If the pin value changes during the sample time, the new value may or may not be recorded during the read.</p> <p>RESET# is a level-sensitive input. EXTINT is normally a sampled input; however, the powerdown circuitry uses EXTINT as a level-sensitive input during powerdown mode.</p>
SAR	<i>Successive approximation</i> register. A component of the <i>A/D converter</i> .
set	The “1” value of a bit or the act of giving it a “1” value. See also <i>clear</i> .
SFR	Special-function register.
SHORT-INTEGER	An 8-bit, signed variable with values from -2^7 through $+2^7-1$.
sign extension	A method for converting data to a larger format by filling the upper bit positions with the value of the sign. This conversion preserves the positive or negative value of signed integers.
sink current	Current flowing into a device to ground. Always a positive value.

source current	Current flowing out of a device from V_{CC} . Always a negative value.
SP	Stack pointer.
special interrupt	Any of the three <i>nonmaskable interrupts</i> (unimplemented opcode, software trap, or NMI).
special-purpose memory	A partition of memory used for storing the <i>interrupt vectors</i> , <i>PTS vectors</i> , chip configuration bytes, and several reserved locations. In previous documentation, this area was called <i>reserved memory</i> . In this manual, <i>reserved memory</i> refers to locations that you should not use for any purpose except to initialize them with FFH.
standard interrupt	Any <i>maskable interrupt</i> that is assigned to the <i>interrupt controller</i> for processing by an <i>interrupt service routine</i> .
state time (or state)	The basic time unit of the device; the combined period of the two internal timing signals, PH1 and PH2. (The internal clock generator produces PH1 and PH2 by halving the frequency of the signal on XTAL1. The rising edges of the active-high PH1 and PH2 signals generate CLKOUT, the output of the internal clock generator.) Because the device can operate at many frequencies, this manual defines time requirements in terms of <i>state times</i> rather than in specific units of time.
successive approximation	An A/D conversion method that uses a binary search to arrive at the best digital representation of an analog input.
temperature coefficient	Change in the stated variable for each degree Centigrade of temperature change.
temperature drift	The change in a specification due to a change in temperature. Temperature drift can be calculated by using the <i>temperature coefficient</i> for the specification.
terminal-based characteristic	An <i>actual characteristic</i> that has been translated and scaled to remove <i>zero offset error</i> and <i>full-scale error</i> . A terminal-based characteristic resembles an <i>actual characteristic</i> with zero offset error and full-scale error removed.

transfer function	A graph of output <i>code</i> versus input voltage; the <i>characteristic</i> of the <i>A/D converter</i> .
transfer function errors	Errors inherent in an analog-to-digital conversion process: <i>quantizing error</i> , <i>zero offset error</i> , <i>full-scale error</i> , <i>differential nonlinearity</i> , and <i>nonlinearity</i> . Errors that are hardware-dependent, rather than being inherent in the process itself, include <i>feedthrough</i> , <i>repeatability</i> , <i>channel-to-channel matching</i> , <i>off-isolation</i> , and <i>V_{CC} rejection</i> errors.
UART	Universal asynchronous receiver and transmitter. A part of the serial I/O port.
V_{CC} rejection	The property of an A/D converter that causes it to ignore (reject) changes in V _{CC} so that the <i>actual characteristic</i> is unaffected by those changes. The effectiveness of <i>V_{CC} rejection</i> is measured by the ratio of the change in V _{CC} to the change in the <i>actual characteristic</i> .
watchdog timer	An internal timer that resets the device if software fails to respond before the timer overflows.
WDT	See <i>watchdog timer</i> .
word	Any 16-bit unit of data.
WORD	An unsigned, 16-bit variable with values from 0 through $2^{16}-1$.
zero extension	A method for converting data to a larger format by filling the upper bit positions with zeros.
zero offset error	An ideal <i>A/D converter's</i> first <i>code transition</i> occurs when the input voltage is 0.5 LSB. Zero-offset error is the difference between 0.5 LSB and the actual input voltage that triggers an A/D converter's first code transition.





Index



#, defined, 1-3, A-1

A

A/D converter, 2-11, 11-1–11-19
 actual characteristic, 11-17
 and port 0 reads, 11-14
 and PTS, 5-26–5-31
 block diagram, 11-1
 calculating result, 11-9, 11-14
 calculating series resistance, 11-11
 characteristics, 11-16–11-19
 conversion time, 11-6
 determining status, 11-9
 errors, 11-14–11-19
 hardware considerations, 11-11–11-14
 ideal characteristic, 11-16, 11-17
 input circuit, suggested, 11-13
 input protection devices, 11-13
 interfacing with, 11-11–11-14
 interpreting results, 11-9
 interrupt, 5-28, 5-29, 5-31, 11-9
 minimizing input source resistance, 11-12
 overview, 11-3–11-4
 programming, 11-4–11-9
 sample delay, 11-3
 sample time, 11-6
 sample window, 11-3
 SFRs, 11-2
 signals, 11-2
 starting with PTS, 5-26–5-31
 successive approximation algorithm, 11-4
 successive approximation register (SAR), 11-4
 terminal-based characteristic, 11-19
 threshold-detection modes, 11-6, 11-8
 transfer function, 11-16–11-19
 zero-offset adjustment, 11-3, 11-5
 zero-offset error, 11-17
See also port 0

A/D scan mode, *See* PTS

Accumulator, RALU, 2-5

ACH0–ACH7, B-8
 idle, powerdown, reset status, B-20

ACH2–ACH7

idle, powerdown, reset status, B-21, B-22

AD0–AD15, B-9

AD_COMMAND, 11-8, C-80

ADD instruction, A-2, A-7, A-42, A-43, A-48, A-54

ADDB instruction, A-2, A-7, A-43, A-44, A-48, A-54

ADDC instruction, A-2, A-7, A-45, A-48, A-54

ADDCB instruction, A-2, A-8, A-45, A-48, A-54

Address space
See memory partitions

Address/data bus, 2-6, 15-11, 15-17
 AC timing specifications, 15-36–15-40
 multiplexing, 15-8–15-14

Addressing modes, 3-5–3-6, A-6

AD_RESULT, 5-28, 11-6, 11-10, C-80

AD_TEST, 11-5, C-80

AD_TIME, 11-7, C-80

ADV#, B-9

AINC#, 16-12, B-9

ALE, 15-2, B-9
 during bus hold, 15-17
 idle, powerdown, reset status, B-20, B-21, B-23

Analog-to-digital converter, *See* A/D converter

AND instruction, A-2, A-8, A-42, A-43, A-49, A-55

ANDB instruction, A-2, A-8, A-9, A-43, A-44, A-49, A-55

ANGND, 11-5, 13-1, B-9

ApBUILDER software, downloading, 1-10

Application notes, ordering, 1-6

Architecture
 core block diagram, 2-3
 device block diagram, 2-3
 device comparison, 2-3

Arithmetic instructions, A-48, A-49, A-54, A-55

Assert, defined, 1-3

Auto programming mode, 16-26–16-29
 algorithm, 16-29
 circuit, 16-26–16-27
 memory map, 16-28
 PCCB, 16-28
 security key programming, 16-30

B

Baud rate
 SIO port, 7-10–7-12
 SSIO port, 8-9
 Baud-rate generator
 SSIO port, 8-9
 BAUD_VALUE, 7-11, C-68
 BHE#, 15-2, B-10
 during bus hold, 15-17
 idle, powerdown, reset status, B-20, B-23
 BIT, defined, 3-2
 Bit-test instructions, A-17
 Block diagram
 A/D converter, 11-1
 CAN peripheral, 12-2
 EPA, 10-2
 SIO port, 7-1, 10-2
 slave port, 9-3
 SSIO, 8-1
 Block transfer mode, *See* PTS
 BMOV instruction, A-2, A-9, A-45, A-50
 BMOVI instruction, A-3, A-9, A-10, A-46, A-50
 BR (indirect) instruction, A-2, A-10, A-51, A-57
 BREQ#, 15-2, 15-17, B-10
 Bulletin board system (BBS), 1-9
 Bus contention, during CCB fetch, 15-9
 Bus contention, *See* address/data bus, contention
 Bus controller, 2-6, 15-15, 16-6
 read cycles, 15-11, 15-13
 write cycles, 15-11, 15-13
 Bus-control modes, 15-20–15-30
 address valid strobe, 15-26–15-28
 address valid with write strobe, 15-29–15-30
 standard, 15-20–15-23
 write strobe, 15-24–15-25
 Bus-control signals, 15-20
 Bus-hold protocol, 15-17–15-20
 and code execution, 15-20
 and interrupts, 15-20
 and reset, *See* reset
 disabling, 15-19
 enabling, 15-18
 hold latency, 15-19
 regaining bus control, 15-20
 signals, 15-17
 signals, *See also* port 2, BREQ#, HLDA#, HOLD#

 software protection, 15-19
 timing parameters, 15-17
 Bus-timing modes, 15-30–15-35
 comparison, 15-31, 15-32
 mode 0, 15-32
 mode 1, 15-32
 mode 2, 15-33
 mode 3, 15-32
 BUSWIDTH, 15-9, 15-10, 15-23, 16-26, 16-28, B-10
 and CCB fetch, 15-9
 idle, powerdown, reset status, B-20
 timing requirements, 15-10
 Bus-width
 16-bit, 15-9, 15-11, 15-21
 8- and 16-bit comparison, 15-8–15-14
 8-bit, 15-9, 15-13, 15-22, 15-24
 dynamic 16-bit/8-bit, 15-10, 15-23
 selecting, 15-9, 15-10
 BYTE, defined, 3-2

C

Call instructions, A-51, A-57, A-58
 CAN serial communications controller, 2-11, 12-1–12-42
 address map, 12-5
 bit timing, 12-10–12-12
 block diagram, 12-2
 bus-off state, 12-41
 error detection and management logic, 12-9
 message
 acceptance filtering, 12-6
 frames, 12-7
 extended, 12-8
 standard, 12-8
 identifiers, effect of masking on, 12-7
 objects, 12-5–12-6
 overview, 12-1–12-2
 programming, 12-4–12-31
 receive and transmit priorities, 12-6
 registers, 12-3–12-4
 signals, 12-3
 Carry (C) flag, 3-4, A-4, A-5, A-11, A-18, A-19, A-20, A-21, A-31
 Cascading timers, 10-7
 CBE flag, 9-15
 CCB fetch

- and BHE#, 6-14
- and bus-width, 15-9
- and P5.5, 6-14
- and P5.6, 6-14
- and READY, 6-14
- CCBs, 4-3, 13-8, 15-1, 15-4
 - fetching, 15-4
 - security-lock bits, 16-30–16-31
- CCR0, 15-20
- CCRs, 13-8, 14-4, 15-4
 - security-lock bits, 16-18
- Chip configuration bytes, *See* CCBs
- Clear, defined, 1-3
- CLKOUT, 14-1, 15-3, 15-11, B-10
 - and BUSWIDTH, 15-10
 - and HOLD#, 15-17
 - and internal timing, 2-7
 - and interrupts, 5-6
 - and READY, 15-15
 - and RESET#, 13-9
 - considerations, 6-13
 - idle, powerdown, reset status, B-20, B-21, B-22
 - reset status, 6-7
- Clock
 - external, 13-7
 - generator, 2-7, 13-7, 13-9
 - internal
 - and idle mode, 14-3, 14-4
 - phases, internal, 2-8
 - slow, 10-7
 - sources, 13-5
- CLR instruction, A-2, A-10, A-42, A-48, A-54
- CLRB instruction, A-2, A-11, A-42, A-48, A-54
- CLRC instruction, A-3, A-11, A-47, A-53, A-59
- CLRVT instruction, A-3, A-11, A-47, A-53, A-59
- CMP instruction, A-3, A-11, A-44, A-48, A-54
- CMPB instruction, A-3, A-11, A-44, A-45, A-48, A-54
- CMPL instruction, A-2, A-12, A-46, A-48, A-54
- Code execution, 2-5, 2-6
- Code RAM, 4-10
- COMP0_CON, C-88
- COMP0_TIME, C-88
- COMP1_CON, C-88
- COMP1_TIME, C-88
- CompuServe forums, 1-10
- Conditional jump instructions, A-5

- Controlling the clock source and direction, 10-18, 10-19, C-75, C-76
- CPU, 2-4
- CPVER, 16-12, B-11
- Customer service, 1-8

D

- Data instructions, A-50, A-57
- Data types, 3-1–3-4
 - addressing restrictions, 3-1
 - converting between, 3-4
 - defined, 3-1
 - iC-96, 3-1
 - PLM-96, 3-1
 - signed and unsigned, 3-1, 3-4
 - values permitted, 3-1
- Datasheets, online, 1-10
- Datasheets, ordering, 1-7
- Deassert, defined, 1-3
- DEC instruction, A-2, A-12, A-42, A-48, A-54
- DECB instruction, A-2, A-12, A-42, A-48, A-54
- DED bit, 16-6–16-8, 16-31
- DEI bit, 16-6–16-8, 16-18
- Device
 - clock sources, 13-5
 - minimum hardware configuration, 13-1
 - pin reset status, B-20, B-21, B-22
 - programming, 16-1–16-45
 - reset, 13-8, 13-9, 13-10, 13-11, 13-12, 15-20
 - signal descriptions, B-8
- DI instruction, A-3, A-12, A-47, A-53, A-59
- Direct addressing, 3-9
- DIV instruction, A-13, A-47, A-49, A-55
- DIVB instruction, A-13, A-47, A-49, A-55
- DIVU instruction, A-3, A-13, A-44, A-49, A-55
- DIVUB instruction, A-3, A-14, A-45, A-49, A-55
- DJNZ instruction, A-2, A-5, A-14, A-46, A-52, A-58
- DJNZW instruction, A-2, A-5, A-14, A-46, A-52, A-58
- DLE flag, 16-36
- Documents, related, 1-5–1-7
- DOUBLE-WORD, defined, 3-3
- DPTS instruction, A-3, A-15, A-46, A-53, A-59
- Dump-word routine, 16-25

E

EA#, 15-3, 16-13, 16-14, B-11
 and P5.0, 6-13
 and P5.3, 6-14
 and programming modes, 16-14
 idle, powerdown, reset status, B-20, B-22,
 B-23

EBR (indirect) instruction, A-2

ECALL instruction, A-2

EE opcode, and unimplemented opcode interrupt,
 A-3, A-47

EI instruction, 5-11, A-3, A-15, A-47, A-53, A-59

EJMP instruction, A-2

Enabling a timer/counter, 10-18, 10-19, C-75,
 C-76

EPA, 2-10, 10-1–10-36
 and PTS, 10-12
 block diagram, 10-2
 capture data overruns, 10-24, C-42
 capture/compare modules, 10-9
 programming, 10-20
 choosing capture or compare mode, 10-22,
 C-40
 compare modules
 programming, 10-20
 configuring pins, 10-2
 determining event status, 10-28
 enabling remapping for PWM, 10-21, C-40
 enabling the compare function, 10-25, C-33
 multiplexed interrupts, 10-29
 re-enabling the compare event, 10-22, 10-25,
 C-33, C-41
 resetting the timer in compare mode, 10-24,
 C-42
 resetting the timers, 10-23, 10-26, C-34, C-42
 selecting the capture/compare event, 10-22,
 C-41
 selecting the compare event, 10-25, C-33
 selecting the time base, 10-21, 10-25, C-33,
 C-40
 shared output pins, 10-10
 starting an A/D conversion, 10-23, 10-26,
 C-33, C-41
 using for PWM, 5-31, 5-37
See also port 1, port 6, PWM, timer/counters

EPA0–3, EPA8–9, B-11

EPA0_CON, C-88

EPA0–EPA9, 10-3, B-11

EPA0_TIME, C-88

EPA1_CON, 10-21, C-40, C-88

EPA1_TIME, C-88

EPA2_CON, C-88

EPA2_TIME, C-88

EPA3_CON, 10-21, C-40, C-88

EPA3_TIME, C-88

EPA4_CON, C-88, C-89

EPA4_TIME, C-89

EPA5_TIME, C-89

EPA6_TIME, C-89

EPA7_CON, C-89

EPA7_TIME, C-89

EPA8_CON, C-89

EPA8_TIME, C-89

EPA9_CON, C-89

EPA9_TIME, C-89

EPAIPV, 5-4, 10-4, 10-29, 10-30, C-89

EPA_MASK, 10-3, C-88

EPA_MASK1, 10-3, C-88

EPA_PEND, 10-3, C-88

EPA_PEND1, 10-4, C-88

EPA_x interrupts
 and TIJMP, 10-29, 10-31

EPA_x_CON, 10-4
 settings and operations, 10-20

EPA_x_TIME, 10-4

EPTS instruction, 5-11, A-15, A-46, A-53, A-59

ESD protection, 6-2, 6-7, 6-16, 13-5

Event, 10-1

Event processor array, *See* EPA

EXT instruction, A-2, A-15, A-42, A-48, A-54

EXTB instruction, A-2, A-16, A-42, A-48, A-54

EXTINT, 5-3, 14-1, 14-6, B-12
 and powerdown mode, 14-4, 14-5, 14-6
 hardware considerations, 14-7

F

FaxBack service, 1-8

FE opcode
 and inhibiting interrupts, 5-8

Floating point library, 3-4

Formulas
 A/D conversion result, 11-9, 11-14
 A/D error, 11-12
 A/D series resistance, 11-11

- A/D threshold voltage, 11-6
- A/D voltage drop, 11-12
- capacitor size (powerdown circuit), 14-8
- programming voltage, 16-16
- PWM duty cycle, 5-32
- PWM frequency, 5-32
- SIO baud rate, 7-11, C-68
- FPAL-96, 3-4
- Frequency
 - external crystal, 16-32
 - SSIO port baud-rate generator, 8-9

G

- GO command, RISM, 16-35

H

- Handbooks, ordering, 1-6
- Handshaking
 - SSIO, 8-6
- Hardware
 - A/D converter considerations, 11-11–11-14
 - addressing modes, 3-5
 - auto programming circuit, 16-27
 - clock sources, 13-5
 - device considerations, 13-1–13-12
 - device reset, 13-8, 13-10, 13-11, 13-12
 - interrupt processor, 2-6, 5-1
 - memory protection, 16-7, 16-18
 - minimum configuration, 13-1
 - NMI considerations, 5-6
 - noise protection, 13-4
 - oscillator failure detection, 16-8
 - pin reset status, B-20, B-21, B-22
 - programming mode requirements, 16-14
 - reset instruction, 3-11
 - serial port programming circuit, 16-33
 - SIO port considerations, 7-7
 - slave port connections, 9-6–9-7
 - slave programming circuit, 16-17
 - UPROM considerations, 16-7
- HLDA#, 15-3, 15-17, B-12
- HLDA# considerations, 6-13
- HLDEN bit, 15-19
- Hold latency, *See* bus-hold protocol
- HOLD#, 15-3, 15-17, B-12
- HOLD# considerations, 6-12

- Hypertext manuals and datasheets, downloading, 1-10

I

- I/O ports
 - unused inputs, 13-2
- I/O ports, *See* ports, SIO port, SSIO port
- IBE flag, 9-5, 9-14, 9-15
- IBSPI96, 16-32
- Idle mode, 2-12, 13-12, 14-3–14-4
 - entering, 14-4
 - exiting, 14-4
 - pin status, B-20, B-21, B-22
 - timeout control, 10-7
- IDLPD #1, 14-4
- IDLPD #2, 14-5
- IDLPD instruction, A-2, A-16, A-47, A-53, A-59
 - illegal operand, 13-9, 13-12
- Immediate addressing, 3-6
- INC instruction, A-2, A-16, A-42, A-48, A-54
- INCB instruction, A-2, A-17, A-42, A-48, A-54
- Indexed addressing, 3-9
 - and register RAM, 4-12
 - and windows, 4-23
- Indirect addressing, 3-6
 - and register RAM, 4-12
 - with autoincrement, 3-7
- Input pins
 - level-sensitive, B-8
 - sampled, B-8
- INST, 15-3
 - idle, powerdown, reset status, B-20
- Instruction set, 3-1
 - and PSW flags, A-5
 - code execution, 2-5, 2-6
 - conventions, 1-3
 - execution times, A-54–A-55
 - lengths, A-48–A-54
 - opcode map, A-2–A-3
 - opcodes, A-42–A-47
 - overview, 3-1–3-4
 - protected instructions, 5-8
 - reference, A-1–A-3
 - See also* RISM
- INTEGER, defined, 3-3
- Interrupts, 5-1–5-41
 - and bus-hold, *See* bus-hold protocol

- controller, 2-6, 5-1
- end-of-PTS, 5-19
- inhibiting, 5-8
- latency, 5-7–5-10, 5-24
 - calculating, 5-9
- multiplexed, 10-29
 - priorities, 10-30
- pending registers, *See* EPA_PEND, EPA_PEND1, INT_PEND, INT_PEND1
- priorities, 5-4, 5-5
 - modifying, 5-14–5-16
- procedures, PLM-96, 3-11
- processing, 5-2
- programming, 5-11–5-16
- selecting PTS or standard service, 5-11
- service routine
 - processing, 5-15
- sources, 5-5
- unused inputs, 13-2
- vectors, 5-1, 5-5
 - vectors, memory locations, 4-3, 4-4

INT_MASK, 10-4, 14-2

INT_MASK1, 5-4

INT_PEND, 10-4, 14-2

INT_PEND1, 5-4

Italics, defined, 1-3

J

JBC instruction, A-2, A-5, A-17, A-42, A-52, A-58

JBS instruction, A-3, A-5, A-17, A-42, A-52, A-58

JC instruction, A-3, A-5, A-18, A-46, A-52, A-58

JE instruction, A-3, A-5, A-18, A-46, A-52, A-58

JGE instruction, A-2, A-5, A-18, A-46, A-52, A-58

JGT instruction, A-2, A-5, A-19, A-46, A-52, A-58

JH instruction, A-3, A-5, A-19, A-46, A-52, A-58

JLE instruction, A-3, A-5, A-19, A-46, A-52, A-58

JLT instruction, A-3, A-5, A-20, A-46, A-52, A-58

JNC instruction, A-2, A-5, A-20, A-46, A-52, A-58

JNE instruction, A-2, A-5, A-20, A-46, A-52, A-58

JNH instruction, A-2, A-5, A-21, A-46, A-52, A-58

JNST instruction, A-2, A-5, A-21, A-46, A-52, A-58

JNV instruction, A-2, A-5, A-21, A-46, A-52, A-58

JNVT instruction, A-2, A-5, A-22, A-46, A-52, A-58

JST instruction, A-3, A-5, A-22, A-46, A-52, A-58

Jump instructions, A-57

- conditional, A-5, A-52, A-58

- unconditional, A-51

JV instruction, A-3, A-5, A-22, A-46, A-52, A-58

JVT instruction, A-3, A-5, A-23, A-46, A-52, A-58

L

Latency, *See* hold latency, interrupt latency

LCALL instruction, A-3, A-23, A-46, A-51

LD instruction, A-2, A-23, A-45, A-50, A-57

LDB instruction, A-2, A-23, A-45, A-50, A-57

LDBSE instruction, A-3, A-24, A-45, A-50, A-57

LDBZE instruction, A-3, A-24, A-45, A-50, A-57

Level-sensitive input, B-8

Literature, 1-11

LJMP instruction, A-2, A-24, A-51, A-57

Logical instructions, A-49, A-55

LONG-INTEGGER, defined, 3-4

Lookup tables, software protection, 3-11

M

Manual contents, summary, 1-1

Manuals, online, 1-10

Measurements, defined, 1-5

Memory bus, 2-6

Memory controller, 2-4, 2-6

Memory map, 4-1, 4-2, 16-1

Memory mapping

- auto programming mode, 16-28

- serial port programming mode, 16-34

Memory partitions, 4-1–4-23

- chip configuration bytes, 4-4

- chip configuration registers, 4-4

- internal (code) RAM, 4-10

- interrupt and PTS vectors, 4-4

- map, 4-2

- OTPROM, 16-2

- peripheral SFRs, 4-6

- program memory, 4-3, 16-2

- register file, 4-10

- register RAM, 4-12

- reserved memory, 4-4

- security key, 4-4

- SFRs, 4-5

- special-purpose memory, 4-3, 16-2
- Memory protection, 16-3–16-7
 - CCR security-lock bits, 16-18
 - UPROM security bits, 16-7
- Memory space, *See* memory partitions
- Memory, external, 15-1–15-40
 - interface signals, 15-1
 - See also* address/data bus, bus controller,
 - bus-control modes, bus-control signals, bus-hold protocol, bus-width, BUSWIDTH, CCRs, ready control, timing, wait states
- Microcode engine, 2-4
- Miller effect, 13-8
- Mode 0
 - bus-timing mode, 15-32
 - SIO port mode, 7-5
- Mode 1
 - bus-timing mode, 15-32
 - SIO port mode, 7-6
- Mode 2
 - bus-timing mode, 15-33
 - SIO port mode, 7-6, 7-7, 7-8
- Mode 3
 - bus-timing mode, 15-32
 - SIO port mode, 7-6, 7-7, 7-8
- Modified quick-pulse algorithm, 16-10
- MUL instruction, A-24, A-25, A-47, A-49, A-55
- MULB instruction, A-25, A-47, A-49, A-55
- Multiprocessor communications, 2-9, 2-10
 - methods, 2-10, 9-1
 - SIO port, 7-7, 7-8
 - slave port, 9-1
- MULU instruction, A-3, A-25, A-26, A-43, A-47, A-49, A-55
- MULUB instruction, A-3, A-26, A-43, A-44, A-49, A-55

N

- Naming conventions, 1-3–1-4
- NEG instruction, A-2, A-26, A-42, A-49, A-55
- Negative (N) flag, A-4, A-5, A-18, A-19, A-20
- NEGB instruction, A-2, A-27, A-42, A-49, A-55
- NMI, 5-3, 5-4, 5-6, B-13
 - and bus-hold protocol, 15-20
 - hardware considerations, 5-6
 - idle, powerdown, reset status, B-20, B-23

- Noise, reducing, 6-2, 6-3, 6-7, 11-3, 11-13, 11-14, 13-4, 13-5, 13-6
- NOP instruction, 3-11, A-3, A-27, A-47, A-53, A-59
 - two-byte, *See* SKIP instruction
- NORML instruction, 3-4, A-3, A-27, A-42, A-53, A-59
- NOT instruction, A-2, A-27, A-42, A-49, A-55
- Notational conventions, 1-3–1-4
- NOTB instruction, A-2, A-28, A-42, A-49, A-55
- Numbers, conventions, 1-4

O

- OBF flag, 9-5, 9-14, 9-15
- OFD bit, 16-8
- ONCE mode, 2-11, 14-9
 - exiting, 14-9
- Opcodes, A-42
 - EE, and unimplemented opcode interrupt, A-3, A-47
 - FE, and signed multiply and divide, A-3 map, A-2
 - reserved, A-3, A-47
- Operand types, *See* data types, 3-1
- Operands, addressing, 3-10
- Operating modes, 2-11–2-12
- OR instruction, A-2, A-28, A-44, A-49, A-55
- ORB instruction, A-2, A-28, A-44, A-49, A-55
- Oscillator
 - and powerdown mode, 14-4
 - detecting failure, 13-9, 13-12
 - external crystal, 13-7
 - on-chip, 13-5
- OTPROM
 - controlling access to internal memory, 16-4–16-6
 - controlling fetches from external memory, 16-6–16-7
 - enabling oscillator failure detection circuitry, 16-8
 - memory map, 16-2
 - programming, 16-1–16-45
 - See also* programming modes
 - ROM-dump mode, 16-31
 - verifying, 16-31
- Overflow (V) flag, A-4, A-5, A-21, A-22

Overflow-trap (VT) flag, A-4, A-5, A-11, A-22, A-23

P

P0.0–P0.7

idle, powerdown, reset status, B-20

P0.2–P0.7

idle, powerdown, reset status, B-21, B-22

P0.4–P0.7

and programming modes, 16-14

P0_PIN, C-89

P1.0–P1.3, B-13

idle, powerdown, reset status, B-21

P1.0–P1.7, B-13

idle, powerdown, reset status, B-20, B-22

P1_DIR, C-89

P1_MODE, C-89

P1_PIN, C-89

P1_REG, C-89

P2.0–P2.7, B-14

P2.2 considerations, 14-7

P2.7 reset status, 6-7

P2_DIR, C-89

P2_MODE, C-89

P2_PIN, C-89

P2_REG, C-89

P3.0–P3.7, B-14

idle, powerdown, reset status, B-20, B-21, B-22

See also port 3

P4.0–P4.7, B-14

idle, powerdown, reset status, B-20, B-21, B-22

See also port 4

P5.0–P5.7, B-14

idle, powerdown, reset status, B-20, B-21, B-23

P6.0–P6.7, B-15

idle, powerdown, reset status, B-20, B-21, B-23

P6_DIR, C-89

P6_MODE, C-89

P6_PIN, C-89

P6_REG, C-89

PACT#, B-15

PALE#, 16-8, 16-11, 16-12, B-15

Parameters, passing to subroutines, 3-10

Parity, 7-6, 7-7

PBUS, 16-13

PBUS0–PBUS15, B-15

PC (program counter), 2-4, 2-6

PD bit, 14-4

Peripherals, internal, 2-8

Pin diagrams, B-3, B-5, B-7

PLM-96

conventions, 3-9, 3-10, 3-11

interrupt procedures, 3-11

PMODE, 16-11, 16-14

and programming modes, 16-14

PMODE0–PMODE3, B-15

POP instruction, A-3, A-28, A-46, A-50, A-56

POPA instruction, A-2, A-29, A-47, A-50, A-56

POPF instruction, A-2, A-29, A-47, A-50, A-56

Port 0, 6-1, 6-2

considerations, 6-3, 11-14, 13-5

idle, reset, powerdown status, B-20

initializing, 6-10

input only pins, 6-2

overview, 6-1

pin configuration

example, 6-11

structure, 6-3

Port 1, B-13

considerations, 6-12

idle, powerdown, reset status, B-20, B-21, B-22

initializing, 6-10

input buffer, 6-7

logic tables, 6-9

operation, 6-4, 6-9

overview, 6-1

pin configuration, 6-10, 6-12

example, 6-11

SFRs, 6-5, 6-6, 10-4, 10-5

structure, 6-8

Port 2, 14-2, B-14

considerations, 6-12

initializing, 6-10

logic tables, 6-9

operation, 6-4, 6-9

overview, 6-1

pin configuration, 6-10, 6-12

example, 6-11

SFRs, 6-5, 6-6, 14-2

structure, 6-8

Port 3

- addressing, 6-15
- configuration, 6-18
- configuring for slave port, 9-14
- idle, powerdown, reset status, B-20, B-21, B-22
- operation, 6-16–6-18
- overview, 6-1
- pin configuration, 6-12, 6-15
- structure, 6-17

Port 4

- addressing, 6-15
- configuration, 6-18
- idle, powerdown, reset status, B-20, B-21, B-23
- operation, 6-16–6-18
- overview, 6-1
- pin configuration, 6-12, 6-15
- structure, 6-17

Port 5, B-14

- configuring for slave port, 9-14
- considerations, 6-13
- idle, powerdown, reset status, B-20
- initializing, 6-10
- logic tables, 6-9
- operation, 6-4, 6-9, 6-13
- overview, 6-1
- pin configuration, 6-10, 6-12, 6-13
 - example, 6-11
- SFRs, 6-5, 6-6, 10-4, 14-2
- structure, 6-8

Port 6, B-15

- considerations, 6-14
- initializing, 6-10
- logic tables, 6-9
- operation, 6-4
- overview, 6-1
- pin configuration, 6-10, 6-12
 - example, 6-11
- SFRs, 6-5, 6-6, 10-4, 10-5
- structure, 6-8

Port, serial, *See* SIO port

Port, slave, *See* slave port

Port, synchronous serial, *See* SSIO port

Ports, 2-9

Power and ground pins

- minimum hardware connections, 13-5

Power consumption, reducing, 2-12, 14-4

Powerdown mode, 2-11, 2-12, 14-4–14-7

circuitry

- external, 14-7, 14-8

disabling, 14-4

entering, 14-5

exiting with EXTINT, 14-6–14-9

exiting with V_{pp} , 14-5

pin status, B-20, B-21, B-22

Powerdown sequence, programming modes, 16-15

Power-up sequence, programming modes, 16-15

Prefetch queue, 2-6

Priority encoder, 5-4

Processor status word, *See* PSW

Product information, ordering, 1-6

PROG#, 16-11, 16-12, B-15

Program counter, *See* PC

Programming modes, 16-1–16-45

- algorithms, 16-21, 16-22, 16-24, 16-29

auto, 16-2

entering, 16-14, 16-15

exiting, 16-15

hardware requirements, 16-14

pin functions, 16-11–16-13

selecting, 16-14

serial port, 16-2

slave, 16-2

Programming voltages, 13-1, 14-2, 16-13, B-18

calculating, 16-16

Program-word routine, 16-23

PSW, 2-4, 3-11, 5-13

flags, and instructions, A-5

PTS, 2-4, 2-6, 2-11, 5-1

A/D scan mode, 5-26–5-31

and A/D converter, 5-26, 5-27

and EPA, 5-31–5-41

and SSIO handshaking, 8-6

and SSIO port, 8-5, 8-6

block transfer mode, 5-24

cycle execution time, 5-10

cycle, defined, 5-24

interrupt latency, 5-10

interrupt processing flow, 5-2

PWM modes, 5-31–5-41

PWM remap mode, 5-37

PWM toggle mode, 5-32, 10-15, 10-16

single transfer mode, 5-21

vectors, memory locations, 4-3, 4-4

See also PWM

PTS control block, *See* PTSCB
 PTS instructions, A-53, A-59
 PTSCB, 5-1, 5-4, 5-7, 5-8, 5-19, 5-24
 memory locations, 4-4
 PTSSSEL, 5-7, 5-11, 5-19
 PTSSRV, 5-7, 5-19
 PUSH instruction, A-3, A-29, A-46, A-50, A-56
 PUSHA instruction, A-2, A-30, A-47, A-50, A-56
 PUSHF instruction, A-2, A-30, A-47, A-50, A-56
 PVER, 16-10, 16-12, B-16
 PWM, 5-31
 and cascading timer/counters, 10-7
 calculating duty cycle, 5-32
 calculating frequency, 5-32
 generating, 10-16
 modes, 5-31–5-41
 remap mode, 5-37
 toggle mode, 5-32
 waveform, 5-32
 with dedicated timer/counter, 10-16
See also EPA, PTS

Q

Quick reference guides, ordering, 1-7

R

RALU, 2-4–2-6
 RAM, internal
 and serial port programming mode, 16-35
 RD#, 15-3, B-16
 considerations, 6-14
 during bus hold, 15-17
 idle, powerdown, reset status, B-20, B-21,
 B-23
 READY, 15-4, 15-14–15-16, 16-26, B-16
 and wait states, 15-15
 considerations, 6-14
 idle, powerdown, reset status, B-20, B-23
 timing requirements, 15-15
 Ready control, 15-14–15-16
 REAL variables, 3-4
 Reduced instruction set monitor, *See* RISM
 Register bits
 naming conventions, 1-4
 reserved, 1-4
 Register file, 2-4, 4-10
 and windowing, 4-10, 4-13

See also windows

Register RAM, 4-12, 5-19
 and powerdown mode, 14-3, 14-4
 Register-direct addressing, 3-6, 3-9, 4-12
 and register RAM, 4-12
 and windows, 4-13, 4-23

Registers

AD_COMMAND, 11-2
 AD_RESULT, 11-2
 AD_TEST, 11-2, 11-5
 AD_TIME, 11-2
 allocating, 3-10
 CAN_BTTIME0, 12-3
 CAN_BTTIME1, 12-3
 CAN_CON, 12-3
 CAN_EGMSK, 12-3
 CAN_INT, 5-3, 12-3
 CAN_MSGxCFG, 12-3
 CAN_MSGxCON0, 12-3
 CAN_MSGxCON1, 12-4
 CAN_MSGxDATAx, 12-4
 CAN_MSGxID, 12-4
 CAN_MSK15, 12-4
 CAN_SGMSK, 12-4
 CAN_STAT, 12-4
 INT_MASK, 5-4, 5-11, 5-15, 11-2, 16-35
 INT_MASK1, 5-4, 5-11, 5-15, 7-2, 8-2, 8-13,
 9-4, 16-35
 INT_PEND, 5-4, 5-16, 11-2
 INT_PEND1, 5-4, 5-16, 7-2, 8-3, 8-8, 9-4, 9-5
 naming conventions, 1-4
 P0_PIN, 6-2, 6-3, 11-3
 P1_MODE
 considerations, 6-12
 P2_DIR, 7-3
 P2_MODE, 7-3
 considerations, 6-12, 6-13
 P2_PIN, 7-3, 8-3
 P2_REG, 7-3
 considerations, 6-13
 P34_DRV, 6-16, 6-18
 P3_PIN, 9-2, 9-5
 P3_REG, 9-2, 9-5
 P5_MODE
 considerations, 6-13, 6-14
 P6_DIR, 7-3
 P6_MODE, 7-3
 considerations, 6-15

- P6_PIN, 7-3
 - P6_REG, 7-3
 - considerations, 6-15
 - PPW, 16-8, 16-9, 16-35
 - PSW, 5-4, 5-15
 - PTSCON, 5-21
 - PTSCOUNT, 5-19
 - PTSSEL, 5-4
 - PTSSRV, 5-4
 - Px_DIR, 6-5, 6-9, 6-10, 6-11
 - Px_MODE, 6-5, 6-9, 6-10, 6-11
 - Px_PIN, 6-5, 6-7, 6-9, 6-16, 6-18
 - Px_REG, 6-5, 6-9, 6-10, 6-11, 6-16, 6-17, 6-18
 - RALU, 2-4, 2-5, 4-12
 - SBUF_RX, 7-3
 - SBUF_TX, 7-3
 - SLP_CMD, 9-2, 9-5
 - SLP_CON, 9-5, 9-14, 9-15
 - SLP_STAT, 9-2, 9-5, 9-14, 9-15, 9-16
 - SP_BAUD, 7-4, 7-10, 16-35
 - SP_CON, 7-4, 7-9, 16-35
 - SP_PPW, 16-8, 16-9
 - SP_STATUS, 7-4, 7-13
 - SSIO0_BUF, 8-3, 8-5
 - SSIO0_CON, 8-3
 - configuring for handshaking, 8-6
 - SSIO1_BUF, 8-3
 - SSIO1_CON, 8-3
 - configuring for handshaking, 8-6
 - SSIO_BAUD, 8-3, 8-9
 - SSIOx_BUF, 8-8
 - SSIOx_CON, 8-10
 - using, 3-9
 - WSR, 4-14, 5-15
 - Reserved bits, defined, 1-4
 - Reset, 13-9, 15-4
 - and bus-hold protocol, 15-20
 - and CCB fetches, 4-4
 - circuit diagram, 13-11
 - status
 - CLKOUT/P2.7, 6-7, 6-13
 - I/O and control pins, B-20, B-21, B-22
 - with illegal IDLPD operand, 13-12
 - with RESET# pin, 13-10
 - with RST instruction, 13-9, 13-12
 - with watchdog timer, 13-12
 - RESET#, 13-1, 14-2, B-16
 - and CCB fetch, 13-8
 - and CLKOUT, 13-9
 - and device reset, 13-8, 13-9, 13-10, 15-20
 - and ONCE mode, 14-9
 - and powerdown mode, 14-6
 - and programming modes, 16-14
 - idle, powerdown, reset status, B-20, B-22, B-23
 - Resonator, ceramic, 13-7
 - RET instruction, A-2, A-30, A-46, A-51
 - RISM, 16-34, 16-35
 - defaults, 16-34, 16-35
 - examples
 - beginning execution, 16-42
 - loading program into RAM, 16-40
 - programming the PPW, 16-39
 - reading the OTPROM, 16-40
 - setting the PC, 16-42
 - writing to OTPROM, 16-43
 - ROM-dump mode, 16-31
 - security key verification, 16-31
 - RS-232C interface, 16-32
 - RST instruction, 3-11, 13-9, 13-12, A-3, A-31, A-47, A-53, A-59
 - Run-time programming, 16-44–16-45
 - code example, 16-45
 - RXCAN, B-16
 - RXD, 7-2, 16-12, B-16
 - and SIO port mode 0, 7-4
 - and SIO port modes 1, 2, and 3, 7-6
- ## S
- Sampled input, 15-9, B-8
 - SBUF_RX, C-89
 - SBUF_TX, C-89
 - SC0, 8-5, B-16
 - configuring for handshaking, 8-6
 - SC1, 8-5, B-16
 - configuring for handshaking, 8-6
 - SCALL instruction, A-3, A-31, A-42, A-48, A-51
 - SD0, 8-5, B-16
 - SD1, 8-5, B-16
 - Security key
 - and serial port programming mode, 16-32
 - verification, 16-31
 - Selecting up or down counting, 10-18, 10-19, C-75, C-76

- Serial I/O port, *See* SIO port
- Serial port programming mode, 16-32–16-43
 - circuit, 16-33
 - defaults, 16-34, 16-35
 - functions, 16-32
 - memory map, 16-34
 - operation, 16-36
 - RISM code examples, 16-38
 - using internal RAM, 16-35
 - V_{pp} voltage, 16-32
 - See also* RISM
- SETC instruction, A-3, A-31, A-47, A-53, A-59
- SFRs
 - and powerdown mode, 14-3, 14-4
 - CPU, 4-13
 - memory-mapped, 4-5
 - peripheral, 4-5, 4-6
 - and windowing, 4-13
 - reserved, 3-10, 4-5, 4-13
 - with indirect or indexed operations, 3-10, 4-5, 4-13
 - with read-modify-write instructions, 4-5
- Shift instructions, A-53, A-59
- SHL instruction, A-3, A-32, A-42, A-53, A-59
- SHLB instruction, A-3, A-32, A-42, A-53, A-59
- SHLL instruction, A-3, A-33, A-42, A-53
- SHORT-INTEGGER, defined, 3-2
- SHR instruction, A-3, A-33, A-42, A-53, A-59
- SHRA instruction, A-3, A-34, A-42, A-53, A-59
- SHRAB instruction, A-3, A-34, A-42, A-53, A-59
- SHRAL instruction, A-3, A-35, A-42, A-53, A-59
- SHRB instruction, A-3, A-35, A-42, A-53, A-59
- SHRL instruction, A-3, A-36, A-42, A-53, A-59
- Signals
 - descriptions, B-8–B-19
 - functional listings, B-2, B-4, B-6
 - name changes, B-1
 - naming conventions, 1-4
- Single transfer mode, *See* PTS
- SIO port, 2-9, 7-1
 - 9-bit data, *See* mode 2, mode 3
 - block diagram, 7-1, 10-2
 - calculating baud rate, 7-11, 7-12, C-68
 - downloading to OTPROM, *See* serial port programming mode
 - enabling interrupts, 7-12
 - enabling parity, 7-8–7-10
 - framing error, 7-14
 - half-duplex considerations, 7-7
 - interrupts, 7-6, 7-8, 7-14
 - mode 0, 7-4–7-5
 - mode 1, 7-6
 - mode 2, 7-6, 7-7
 - mode 3, 7-6, 7-7
 - multiprocessor communications, 7-7, 7-8
 - overrun error, 7-14
 - programming, 7-8
 - programming mode, *See* serial port programming mode
 - receive interrupt (RI) flag, 7-14
 - receive register, *See* registers, SBUF_RX
 - received bit 8 (RB8) flag, 7-14
 - received parity error (RPE) flag, 7-14
 - receiver, 7-1
 - selecting baud rate, 7-10–7-12
 - SFRs, 7-2
 - signals, 7-2
 - status, 7-13–7-14
 - transmit interrupt (TI) flag, 7-14
 - transmit register, *See* registers, SBUF_TX
 - transmitter, 7-1
 - transmitter empty (TXE) flag, 7-14
 - See also* mode 0, mode 1, mode 2, mode 3, port 2
- SJMP instruction, A-2, A-36, A-42, A-48, A-51, A-57
- SKIP instruction, A-2, A-36, A-42, A-53, A-59
- Slave port, 2-10, 9-1–9-16
 - address/data bus, 9-2
 - and demultiplexed bus, 9-6
 - and multiplexed bus, 9-6, 9-11
 - block diagram, 9-3
 - code examples
 - master program, 9-8, 9-11
 - Port 3 configuration, 9-14
 - Port 5 configuration, 9-14
 - SFR initialization, 9-14
 - slave program, 9-9, 9-12
 - configuring pins, 9-14
 - determining status, 9-16
 - hardware connections, 9-6–9-7
 - initializing SFRs, 9-14
 - interrupts, 9-8, 9-16
 - CBF interrupt, 9-16
 - IBF interrupt, 9-16
 - OBE interrupt, 9-16

- modes, 9-8–9-13
 - overview, 9-2–9-5
 - programming
 - SLP_CON register, 9-14–9-16
 - programming SFRs, 9-14
 - selecting data or command and status registers, 9-15, C-65
 - SFRs, 9-3
 - shared memory mode, 9-11–9-13
 - signals, 9-3
 - standard slave mode, 9-8–9-13
 - synchronizing master and slave, 9-16
 - using with external memory, 9-2
 - Slave programming mode, 16-15–16-25
 - address/command decoder routine, 16-20, 16-21
 - algorithm, 16-20–16-25
 - circuit, 16-16–16-17
 - dump-word routine, 16-20, 16-24
 - entering, 16-20
 - program-word routine, 16-20, 16-22
 - security key programming, 16-15
 - timings, 16-23, 16-25
 - SLP0–SLP7, 9-4, B-17
 - SLPALE, 9-4, B-17
 - SLPCS#, 9-2, 9-4, B-17
 - SLPINT, 9-4, B-17
 - considerations, 6-14
 - idle, powerdown, reset status, B-20
 - SLPRD#, 9-2, 9-4, B-17
 - SLPWR#, 9-4, B-17
 - Software
 - addressing modes, 3-9
 - conventions, 3-9–3-11
 - device reset, 13-12
 - IBSP196, 16-32
 - interrupt service routines, 5-15
 - linking subroutines, 3-10
 - protection, 3-11, 15-19
 - Software trap interrupt, 5-4, 5-6, 5-8
 - SP_BAUD, 7-10, 16-32, 16-35, C-89
 - SP_CON, 7-9, 16-35, C-89
 - Special instructions, A-53, A-59
 - Special operating modes
 - SFRs, 14-2
 - SP_STATUS, 7-13, C-89
 - SSIO port, 2-9
 - and PTS, 8-6
 - block diagram, 8-1
 - configuring port pins, 8-9
 - enabling interrupts, 8-13
 - handshaking, 8-6, 8-7
 - configuring, 8-6
 - flow diagram, 8-7
 - modes, 8-3–8-6
 - overview, 8-1
 - programming considerations, 8-13
 - programming example, 8-15
 - SFRs, 8-2
 - signals, 8-2
 - timing diagrams, 8-6
 - SSIO0_BUF, C-90
 - SSIO0_CON, C-90
 - SSIO1_BUF, C-90
 - SSIO1_CON, C-90
 - SSIO_BAUD, C-89
 - ST instruction, A-2, A-37, A-45, A-46, A-50, A-57
 - Stack instructions, A-50, A-56
 - Stack pointer, 4-12
 - and subroutine call, 4-12
 - initializing, 4-12
 - State time, defined, 2-8
 - STB instruction, A-2, A-37, A-46, A-50, A-57
 - Sticky bit (ST) flag, 3-4, A-4, A-5, A-21, A-22
 - SUB instruction, A-3, A-37, A-43, A-48, A-54
 - SUBB instruction, A-3, A-38, A-43, A-44, A-48, A-54
 - SUBC instruction, A-3, A-38, A-45, A-48, A-54
 - SUBCB instruction, A-3, A-38, A-45, A-48, A-54
 - Subroutines
 - linking, 3-10
 - nested, 4-12
 - Synchronous serial I/O port, *See* SSIO port
- ## T
- T1CLK, 7-2, 10-3, B-17
 - T1CONTROL, 10-5, C-90
 - T1DIR, 10-3, B-18
 - T2CLK, 10-3, B-17
 - T2CONTROL, 10-5, C-90
 - T2DIR, 10-3, B-18
 - Technical support, 1-11
 - Terminology, 1-3
 - TIJMP instruction, A-2, A-39, A-46, A-51, A-57
 - and EPAn interrupt, 10-29, 10-31

Timer, watchdog, *See* watchdog timer

Timer/counters, 2-10, 10-6, 10-7

and PWM, 10-14, 10-15, 10-16

cascading, 10-7

configuring pins, 10-2

count rate, 10-7

resolution, 10-7

SFRs, 10-3

See also EPA

TIMER1, 10-5, C-90

TIMER2, 10-5, C-90

Timing

BUSWIDTH, 15-10

dump-word routine, 16-25

HLDA#, 15-17

HOLD#, 15-17

instruction execution, A-54–A-55

internal, 2-7, 2-8

interrupt latency, 5-7–5-10, 5-24

program-word routine, 16-23

PTS cycles, 5-10

READY, 15-15

selectable bus-timing

See bus-timing modes

SIO port mode 0, 7-5

SIO port mode 1, 7-6

SIO port mode 2, 7-7

SIO port mode 3, 7-7

slave port, 9-10, 9-13

slave programming routines, 16-23, 16-25

write-strobe mode, 15-24

Training, 1-11

TRAP instruction, 5-6, A-2, A-40, A-47, A-51

TXCAN, B-18

TXD, 7-2, 16-12, B-18

and SIO port mode 0, 7-4

U

UART, 2-9, 7-1

Unimplemented opcode interrupt, 3-11, 5-4, 5-6, 5-8

Units of measure, defined, 1-5

Universal asynchronous receiver and transmitter,

See UART

UPROM, 16-6

programming, 16-6–16-7

USFR, 16-7

V

V_{CC} , 13-1, B-18

and programming modes, 16-14

V_{PP} , 13-1, 14-2, 16-13, B-18

and programming modes, 16-14

hardware considerations, 14-7

idle, powerdown, reset status, B-20, B-22,

B-23

V_{REF} , 11-5, 13-1, B-18

V_{SS} , 13-1, B-18

and programming modes, 16-14

W

Wait states, 15-14–15-16

controlling, 15-15

Watchdog timer, 2-11, 3-11, 3-12, 13-9, 13-12

and idle mode, 14-4

WDE bit, 13-12

Window selection register, *See* WSR

Windowing, 4-13–4-23

examples, 4-20–4-23

See also windows

Windows, 4-13–4-23

addressing, 4-20, 4-21

and addressing modes, 4-23

and memory-mapped SFRs, 4-18

base address, 4-17, 4-20

locations that cannot be windowed, 4-18

offset address, 4-17

selecting, 4-14

setting up with linker loader, 4-21

WSR values and direct addresses, 4-18

WORD, defined, 3-2

World Wide Web, 1-10

WR#, 15-4, B-18

during bus hold, 15-17

idle, powerdown, reset status, B-20, B-21,

B-23

WRH#, 15-2, 15-4, B-19

Write-strobe mode timing, 15-24

WRL#, 15-4, B-19

WSR, 4-14, 15-19

X

X, defined, 1-5

XCH instruction, A-2, A-3, A-40, A-42, A-50, A-57



XCHB instruction, A-2, A-3, A-40, A-42, A-50,
A-57

XOR instruction, A-2, A-40, A-44, A-49, A-55

XORB instruction, A-2, A-41, A-44, A-49, A-55

XTAL1, 13-2, B-19

- and Miller effect, 13-8

- and programming modes, 16-14, 16-32

- and SIO baud rate, 7-12

- and SSIO baud rate, 8-9

- hardware connections, 13-6, 13-7

- idle, powerdown, reset status, B-21, B-22,
B-23

XTAL2, 13-2, B-19

- and programming modes, 16-32

- hardware connections, 13-6, 13-7

- idle, powerdown, reset status, B-21, B-22,
B-23

Z

Zero (Z) flag, A-4, A-5, A-18, A-19, A-20, A-21

