

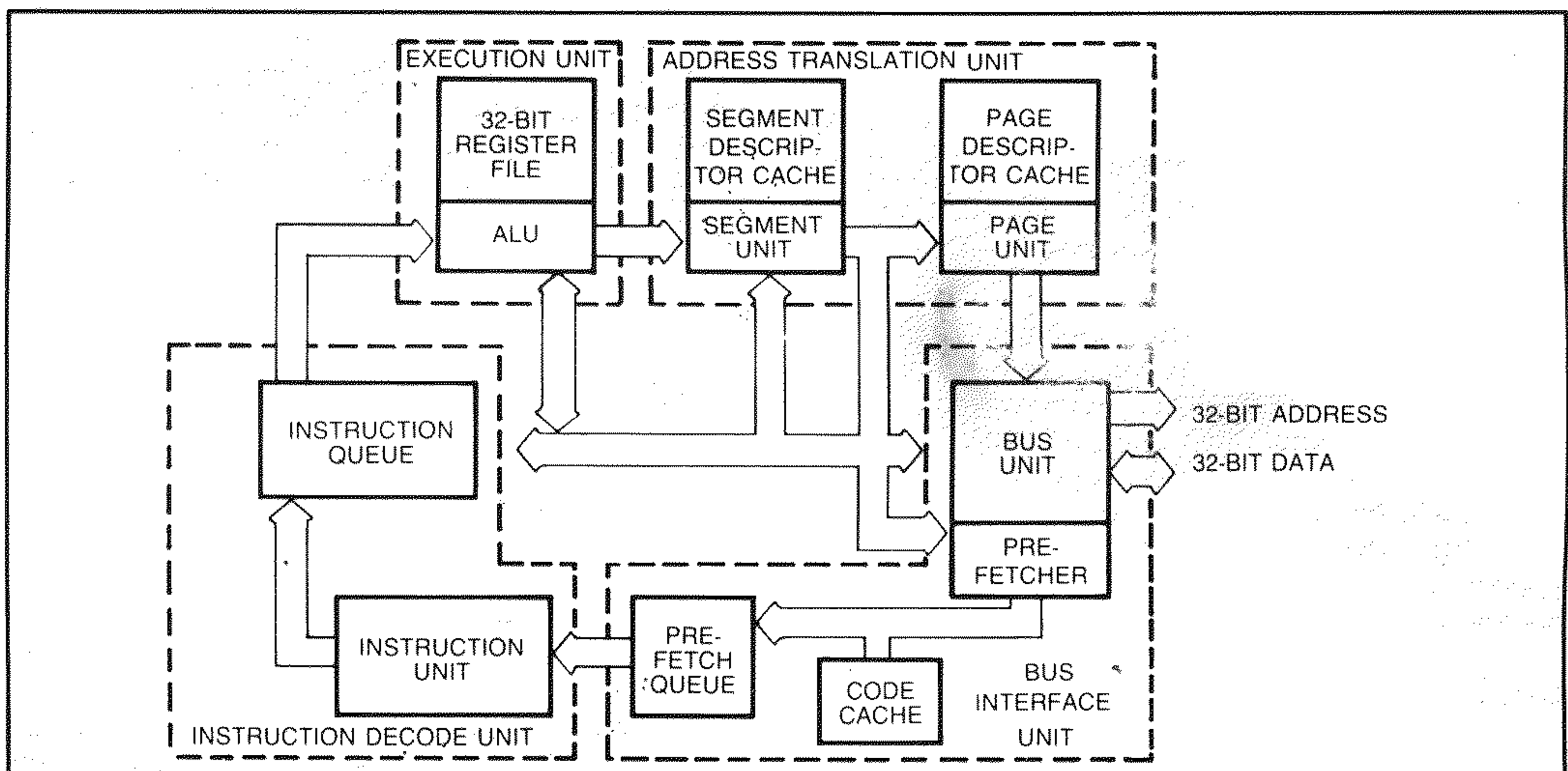
# iAPX 386

## HIGH PERFORMANCE 32-BIT MICROPROCESSOR PRODUCT PREVIEW

- **High Performance CPU**
  - 2 to 3 times iAPX 286 performance
  - Pipelined implementation
  - Multiple on-chip caches
  - High bandwidth 32-bit bus
  - 12 and 16 MHz clock
- **Software Compatible with iAPX 86, iAPX 88, iAPX 186, iAPX 188, and iAPX 286 microsystems**
- **Complete 32-bit Supermicro**
  - 8-, 16-, and 32-bit data
  - Integrated Multitasking support
  - On-chip Virtual Memory support
- **Complete Support for 32-bit Addressing**
  - $2^{32}$  bytes of physical address space
  - $2^{32}$  bytes per segment
  - $2^{46}$  bytes of virtual address space per task
- **Multiple Coprocessor Interface**
- **On-chip Memory Management and Protection**
  - Fully compatible with iAPX 286
- **Optional On-Chip Paging**
- **CHMOS III Technology**

The iAPX 386 is the first 32-bit member of the iAPX 86 family. It maintains software compatibility with the entire iAPX 86 family (8086, 8088, 80186, 80188, and 80286), while adding full 32-bit and Supermicro capabilities and significantly enhanced performance.

The iAPX 386 brings new performance standards to the microprocessor world. The combination of advanced process technology and architectural concepts which were previously found only on mainframe and large minicomputers make the iAPX 386 the highest performance microprocessor in its category. Concepts such as caching, pipelining, high performance bus, and a high-speed execution unit provide this level of performance at both CPU and system level.



**Figure 1. iAPX 386 Pipeline**

The iAPX 386 provides access to the large base of software developed for the 8086, 8088, 80186, 80188, and 80286 microprocessors. It maintains binary-level-code compatibility with these earlier generations to allow execution of existing applications without recompilation or reassembly. The user preserves his software investment and can reduce the time-to-market for new products.

The iAPX 386 provides full 32-bit Supermicro support. 32-bit architecture and internal implementation, including registers, arithmetic-and-logic unit, instruction set, addresses, address bus and data bus, provide the functionality needed to build a full, 386-based, 32-bit system.

Supermicro capabilities, such as hardware-supported multitasking and virtual memory support, provide the foundations necessary to build advanced multitasking and multiuser systems. The hardware multitasking support of the 386 automatically stores the task state and loads the new task during task switch operations. The on-chip memory management and protection mechanism performs the mapping from virtual to physical memory and provides the protection necessary for maintaining task integrity in a multitasking environment. Optional paging allows for a finer granularity of physical memory management.

The iAPX 386 supports a full family of specialized coprocessors. Coprocessors allow separation of specialized functions at the component level, so that the user can tailor the system's functionality and performance to his application while optimizing the design for cost. Multiple coprocessors are supported by the 386, such as the new numerics coprocessor for the 386, the 80387, the Ethernet Local Area Network coprocessor, the 82586, and the text coprocessor, the 82730.

## PERFORMANCE

The iAPX 386 provides two to three times the performance of the industry performance-leader, the iAPX 286. A combination of advanced technology, pipelined architecture, on-chip code and descriptor caches, high performance bus and high speed coprocessors provide this improvement. With the higher execution speed, the designer can develop more complex systems and applications, increasing the appeal of his end product to the market.

## CHMOS

Intel's advanced CHMOS III process (Complementary High Speed Metal Oxide Semiconductor) eliminates the frequency and reliability limitations of traditional CMOS processes and opens a new era in microprocessor performance. It combines the high performance capabilities of Intel's leading HMOS III technology with the high density and low power

characteristics of CMOS. Using this technology, the iAPX 386 is designed to operate at 12 and 16 MHz.

## Pipelined Microarchitecture

The iAPX 386's pipelined architecture provides parallel fetching, decoding, execution and address translation inside the CPU. Like the 286, four units are included in the pipeline. The Bus Interface Unit generates the bus transactions and keeps the prefetch queue and the code cache full and ready for access by the Decode Unit. The Decode Unit breaks each instruction into a fully decoded equivalent and places it in the instruction queue, ready for fast and efficient execution by the Execution Unit. The Address Unit performs the address calculation and the protection checks for virtual and physical memory management (see Figure 1). This highly pipelined organization eradicates instruction fetch and decode times as consumers of execution time, providing a radical improvement in performance.

Inside the pipeline, a code cache, a segment descriptor cache, and a page descriptor cache maintain instructions and memory information ready for immediate use by the CPU.

## On-Chip Code Cache

The instruction cache improves processor performance by providing an instruction fetch path that is much faster than an external bus, and which decreases the consumption of bus bandwidth for instruction fetch cycles. The instruction cache maps the most recently referenced memory locations to high-speed on-chip memory. Most programs exhibit a high degree of locality of reference, so that even though the cache memory is much smaller than the system memory, the mapping of the most recently referenced locations ensures a high hit rate in the cache. Overall system performance is typically increased by 20 to 30%.

## Segment and Page Descriptor Caches

The segment descriptor and page descriptor caches maintain information on the working set inside the CPU. This information is available for immediate access, eliminating references to memory-based segment or page tables when accessing the task's address space.

These descriptors are in the on-chip memory management unit, which provides a further increase in performance. By performing memory management on-chip, the 386 eliminates any memory access delays required by other implementations that use off-chip memory management units. The result is high performance and relaxed memory access time requirements. Address translation in parallel with the

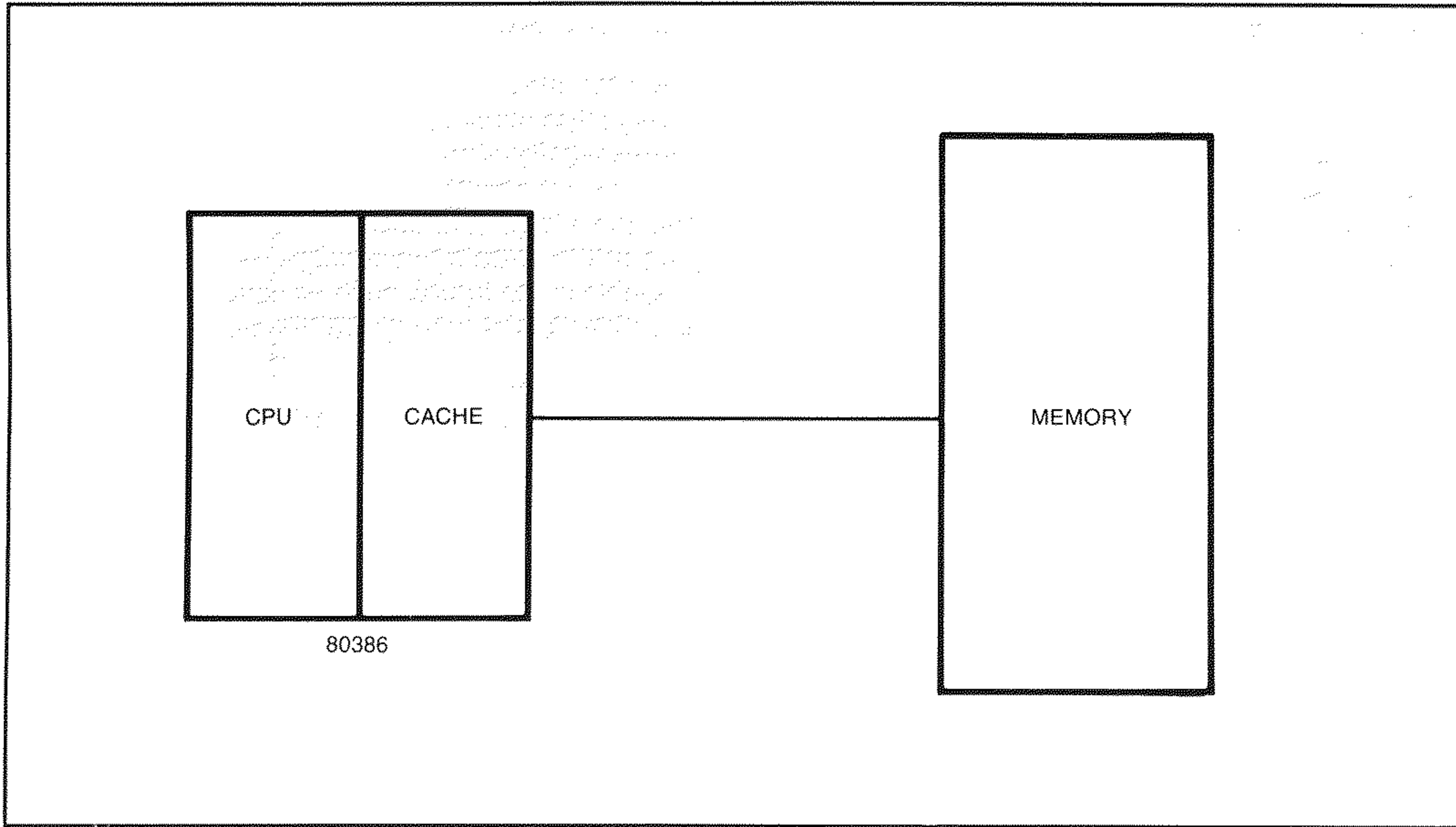


Figure 2. Cache Memory

rest of the CPU execution adds to the overall performance improvement.

**High Speed Bus**

The iAPX 386 implements a 32-bit data path and 12 MHz or 16 MHz bus clock to provide a throughput rate 2 to 4 times that of current microprocessor systems. This high speed bus increases overall system performance by insuring prompt transfers between the CPU, memory and peripherals without becoming a bottleneck for the system. An estimated system performance increment of about 20% is achieved via this high speed bus.

**Coprocessors**

To provide even higher system performance, the iAPX 386 will support advanced coprocessors. The 80387, the numerics coprocessor for the iAPX 386, is software compatible with the 8087 and 80287, and will perform numeric calculations at more than 4 times the speed of the 287. Numeric intensive applications in a 386/387 system will run significantly faster than even the performance leading 286/287 systems.

Other coprocessors will also support the iAPX 386. For example, the 82586 Ethernet LAN and the 82730 Text coprocessors will run with the 386, offloading the CPU of the functions for which these two coprocessors are specially designed, further increasing system performance.

**SUPERMICRO SUPPORT**

The iAPX 386 provides complete 32-bit support as well as Supermicro support. Data types, registers and instructions have been expanded to support 32-bit systems.

**Data Types**

The data types are the same as in the 286: arithmetic, floating point, byte string, and bit field. Table 1 presents an overview of the data types available under each category.

Table 1 - Data Types

Arithmetic	8-, 16-, 32-bit integers 8-, 16-, 32-bit ordinals Unsigned packed decimal - BCD Unsigned unpacked decimal - BCD
Floating Point	Supported in 80387 coprocessor 16-, 32-, 64-bit integer 32-, 64-, 80-bit IEEE P754 standard 80-bit decimal format
Byte String	Variable length: 0 to 4 Gigabytes
Bit Field	1 or more bits

### Instruction Set

The iAPX 386's instruction set provides for full 32-bit data manipulation and addressing, in addition to 8- and 16-bit data, and 16-bit compact addressing. The 386's instruction set is a superset of the 286's, and allows full compatibility with the iAPX 86, 186, and 286.

All existing instructions have been extended to support 32-bit addresses and operands. New bit manipulation and other instructions have been added for extra flexibility in designing complex software. Operating systems, compilers and graphics applications will benefit from these new instructions.

### Register Sets

The general registers of the 386 support 32-bit data and addressing. They also provide for 8- and 16-bit data and 16-bit compact addressing, thereby offering total software compatibility. Figure 3 shows a model of the general register set.

The segment registers of the iAPX 86 family are identical in the 386 with the addition of non-dedicated segment registers, FS and GS, for increased flexibility in simultaneously manipulating multiple data structures. Figure 4 provides a model of the segment register set.

### Memory Addressability

The iAPX 386 provides complete 32-bit addressability to very large memories. Table 2 indicates the memory addressability of the 386.

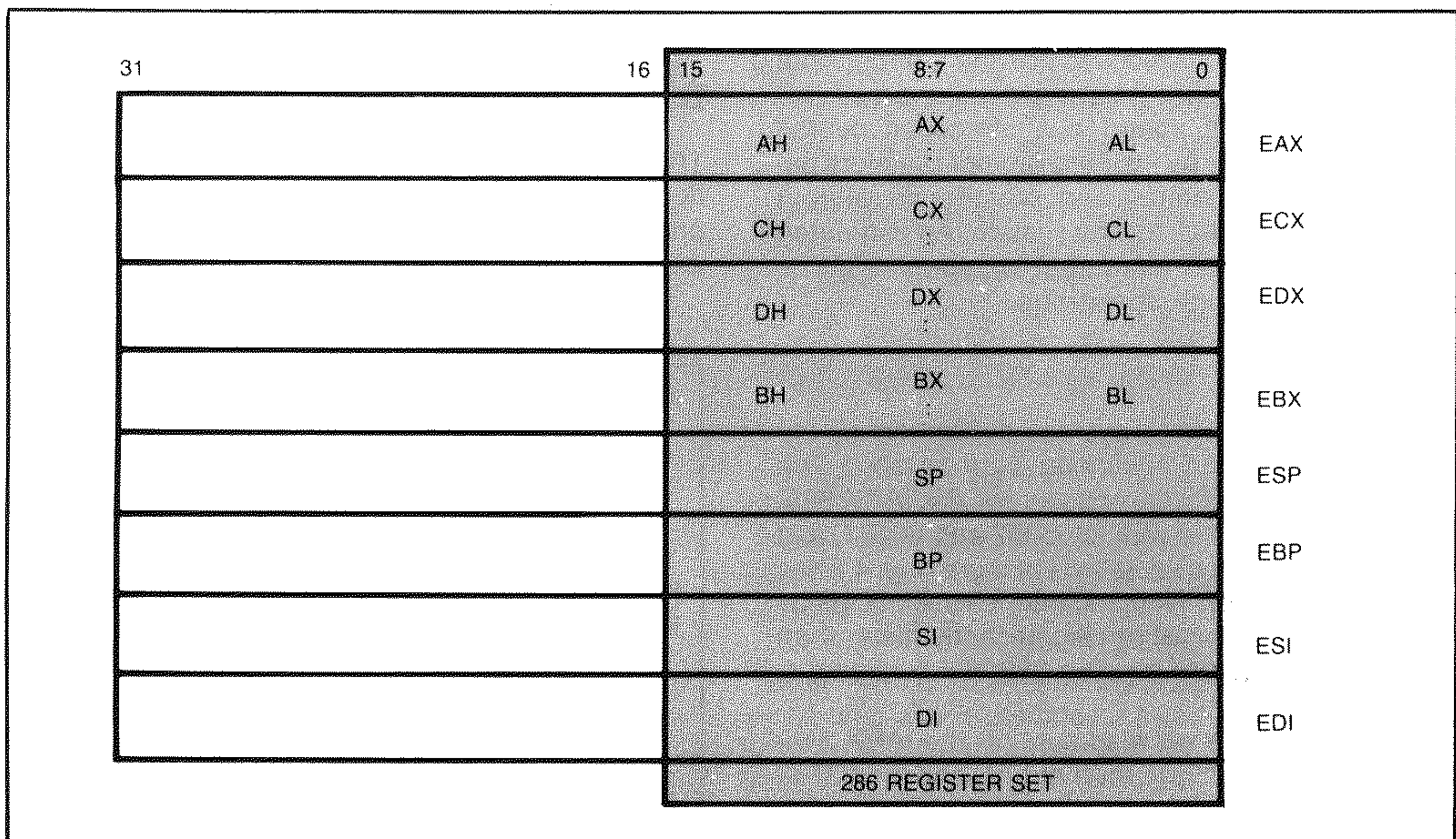
The 386's large addressability allows for direct mapping of the large mass storage devices that will be available in the future, such as advanced winchester and video disks, into virtual memory.

**Table 2 - Memory Addressability**

Physical Memory	4 Gigabytes
Segment Offset	4 Gigabytes
Virtual Memory per task	64 Terabytes

### Effective Addressing

The iAPX 386's effective addressing is an expansion of the 286 model. Just like in the 286, an optional base is added to an optional index and then to an optional displacement to provide the offset. The 386's mechanism is fully compatible with the rest of the iAPX 86 family. Table 3 indicates the choices available for address calculation.



**Figure 3. General Register Set**

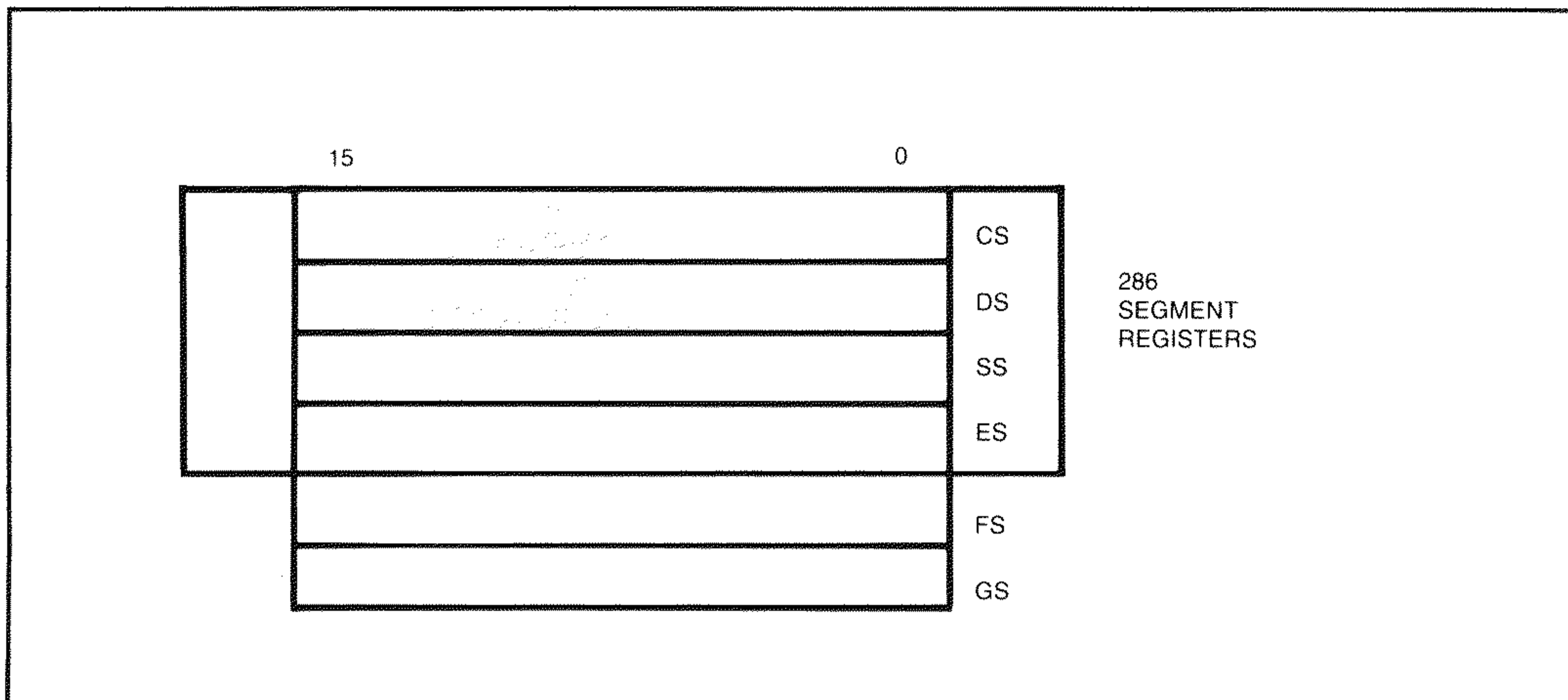


Figure 4. Segment Register Set

**Memory Management Model — Segmentation and Paging**

Memory management and protection allows designers to use system memory efficiently, while at the same time providing a mechanism to use virtual memory. Product development is simplified, both hardware and software.

The iAPX 386 offers on-chip memory management and protection to provide for the management and protection of the entire system memory. Not only does it increase performance by being on-chip, but it reduces system costs by eliminating external memory management units; by simplifying development of

memory management software; by reducing memory access requirements, and by providing complete compatibility from a 286 to a 386 system and from a 386 system to other 386 systems. Table 4 summarizes the benefits of the on-chip memory management unit.

The iAPX 386 offers segmented virtual memory and optional paging for physical memory management and swapping.

**SEGMENTATION**

Segmentation provides the management of virtual memory. To the programmer, it is a natural way of organizing programs. He can set up various segments for different types of data (file buffers, program

Table 3 - Address Calculation

16-Bit (86/186/286 Compatible)		32-Bit
CS, SS, DS, ES	SEGMENT	CS, SS, DS, ES, FS, GS
None, or 16-bit Base Register	+ OPTIONAL BASE	None, or 32-bit Base Register
None, or 16-bit Index Register	+ OPTIONAL INDEX	None, or 32-bit Index Register
None, 8, or 16-bit	+ OPTIONAL DISPLACEMENT	None, 8, or 32-bit

**Table 4 - Elimination of an External MMU**

Increases	Reduces
System Performance	System Cost
Compatibility and Upgrade Path	— Extra Hardware
Overall Memory Bandwidth	— Extra Software
System Reliability	— Faster Memories
	Development time
	System Complexity
	Risk of Incompatibility

variables, work areas, etc.). He can also break up the virtual memory according to the organization of the program routines, permitting modular compilation of the different routines at separate times.

Code and data, by nature, are of variable size. Segmentation provides the right virtual memory fit, assigning only as much memory as needed for the individual routines and data. It is a way of directly relating memory organization and usage to the code and data structures.

Segmentation also simplifies the sharing of modules. A single descriptor applies to an entire data structure to allow fast, efficient control and sharing of programs. For the operating system, it is very easy to transfer the module descriptors to another task to share a program.

Finally, segmentation provides for protection. Since an entire code module or data structure is defined by a single descriptor, this descriptor can also uniquely specify the usage and attributes of the segment. Segment limits help detect limit violations or stack overflow, allowing these errors to be automatically detected, prevented and reported to the operating system. Segmentation provides the

mechanism to protect the programmer's code and data directly as he sees it: in variable size chunks, large or small.

**PAGING**

With the advent of the potential for large multi-megabyte segments, a more granular mechanism to manage physical memory becomes necessary in swapping systems. While this is not an issue for static systems, loading and unloading segments of hundreds of kilobytes to megabytes into physical memory can be slow and cumbersome. To avoid this, the iAPX 386 offers paging to manage physical memory. Placed under segmentation, it breaks up large segments into small fixed size blocks. Instead of having to load the entire segment, the operating system can load the individual pages as needed. This simplifies the management of physical memory. It also provides for small physical memory allocation for each task. Rather than having many megabytes per task present in physical memory, the 386's operating system only needs to keep the current pages. This feature takes advantage of the locality of reference displayed by most programs and takes advantage of swapping.

Paging is optional and completely transparent to the application programmer. Its presence does not affect his programming at all; he can assume that it does not exist. Paging is a tool for the developer of the swapping system. Paging by itself, though, cannot easily provide the protection, modularity, and the sharing of programs that segmentation allows.

Paging and segmentation are complementary and together provide the best memory management and protection solution. Segmentation is optimal for the way a programmer sees and protects his program. Managing large physical memories for large code and data structures in swapping systems makes good use of paging. Table 5 summarizes this complementary nature of segmentation and paging.

**Table 5 - Segmentation and Paging  
A Complementary Pair**

SEGMENTATION	PAGING
<ul style="list-style-type: none"> <li>• Large virtual space per task</li> <li>• Variable size to match code and data structure</li> <li>• One segment may represent entire code or data structure</li> <li>• Tool for applications programmer</li> </ul>	<ul style="list-style-type: none"> <li>• Fine and regular granularity for physical memory management</li> <li>• Small working sets for large tasks                             <ul style="list-style-type: none"> <li>— Many memory resident tasks</li> </ul> </li> <li>• Swapping and physical memory management tool                             <ul style="list-style-type: none"> <li>— Invisible to applications programmer</li> </ul> </li> </ul>

## Segmentation Description

The segmentation mechanism of the iAPX 386 is identical to the iAPX 286's. This mechanism, very similar to the one used in Multics and the Burroughs B5000 computers, uses a selector held in a segment register to point to a segment of the user's address space via a descriptor. This descriptor holds the base address, limit, access rights and protection information. The base address is added to the effective address to obtain the 32-bit address. See figure 5 for details.

## Paging Description

If paging is used, the linear address generated by the segmentation mechanism is mapped through page tables to obtain the physical memory address of the desired information. See figure 6 for more details.

Paging is an optional feature. Disabling it provides a memory mechanism identical to the 286's. This means that 286 operating systems can easily migrate directly into the 386 with complete assurance that the memory management and protection will work the same. This allows simple migration of 286-based operating systems to very high performance 386 systems and quick time to market.

## Protection

As mentioned before, the iAPX 386 offers hardware enforced protection. The mechanism is the same as the 286's, insuring software compatibility. Tasks are isolated and protected from each other. This guarantees that code and data will not be damaged by bugs in other programs.

In addition, the protection mechanism offers four privilege levels to provide protection of sensitive code

and data within a task. This allows a combination of operating system, system services, shared libraries and application programs to reside in a common virtual address space, yet be protected. The highest privilege level is typically reserved for the operating system kernel, the most trusted program in the system. Other levels below the kernel can be configured to include system and application services code, as well as the application itself. Structured operating system design is encouraged by this mechanism, making operating systems simpler to implement and easier to maintain. Figure 7 represents this protection model.

Quick, controlled access to the data and routines at each level is directly provided by the 386 integrated protection. This preserves system integrity as well as the high performance of the iAPX 386.

## Multitasking

Many advanced applications require multiple activities to be in process at any given instance. This requires systems to perform task switches frequently. To improve the performance of these systems, the 386, just like the 286, offers hardware integrated multitasking. What this means is that the traditional steps involved in task switching, storing the task context, loading the next task and giving it control, are automatically performed in hardware. This simplifies operating system development by moving most of the task switch chores to the hardware, while at the same time improving performance. Hardware supported multitasking execution takes a lot less time than a software implementation. The system can switch among many tasks quickly and often, without incurring performance degradation.

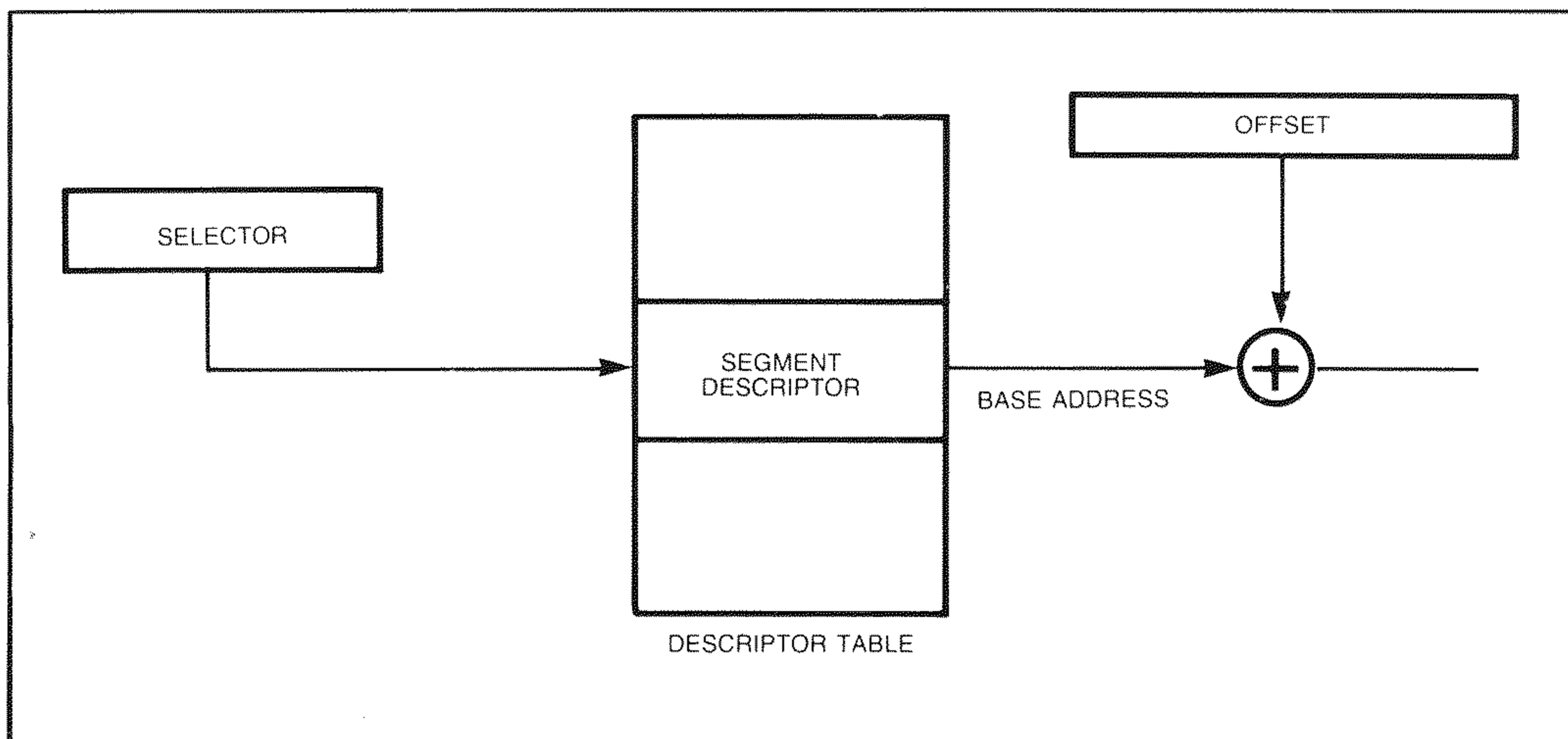


Figure 5. Segmentation Mechanism

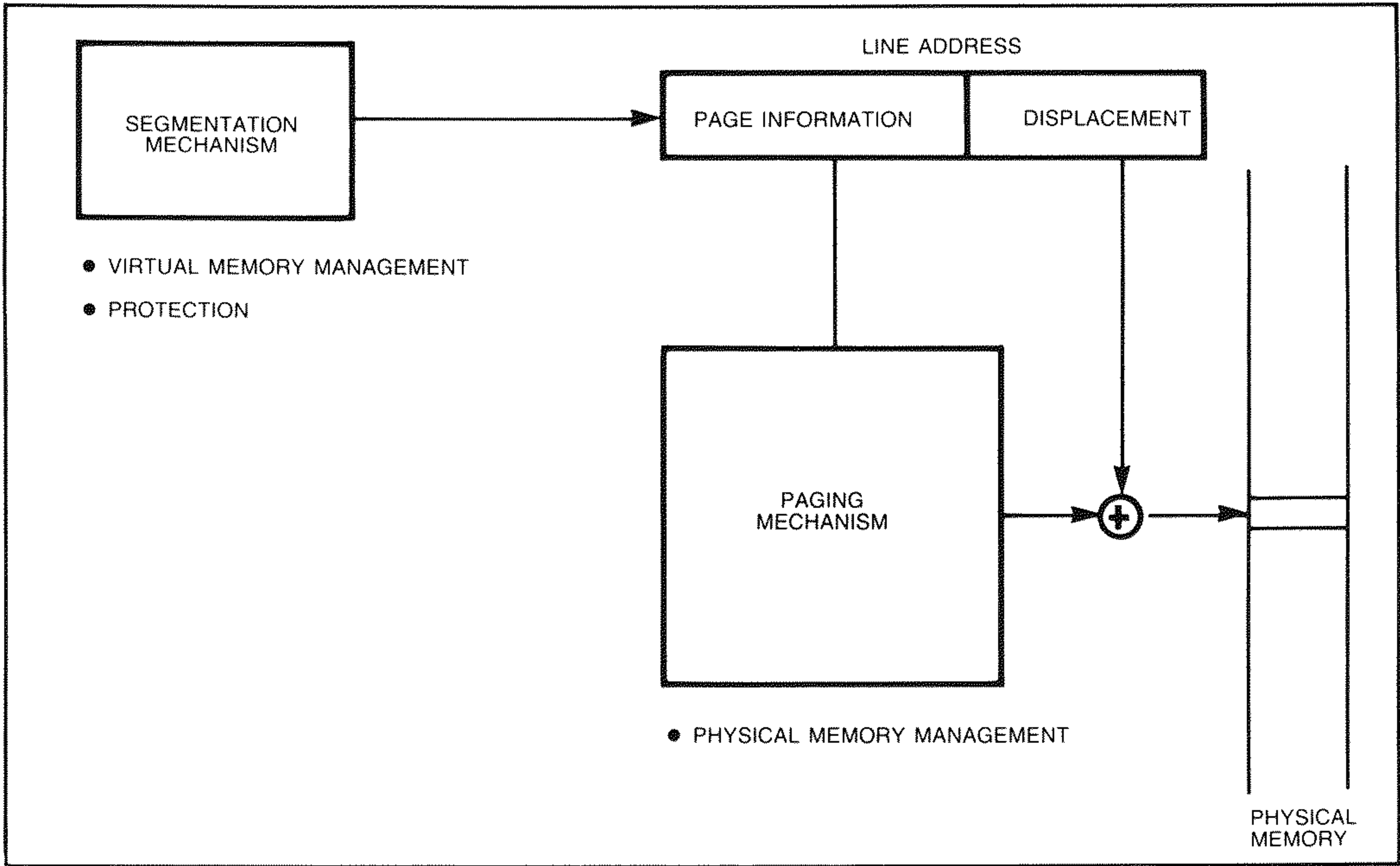


Figure 6. Paging Under Segmentation

**SOFTWARE COMPATIBILITY**

The iAPX 386 continues the evolution of the iAPX 86 family by maintaining full compatibility at the object-

code level with the 8086, 8088, 80186, 80188, and 80286 microprocessors. This compatibility provides immediate access to the largest base of 16-bit

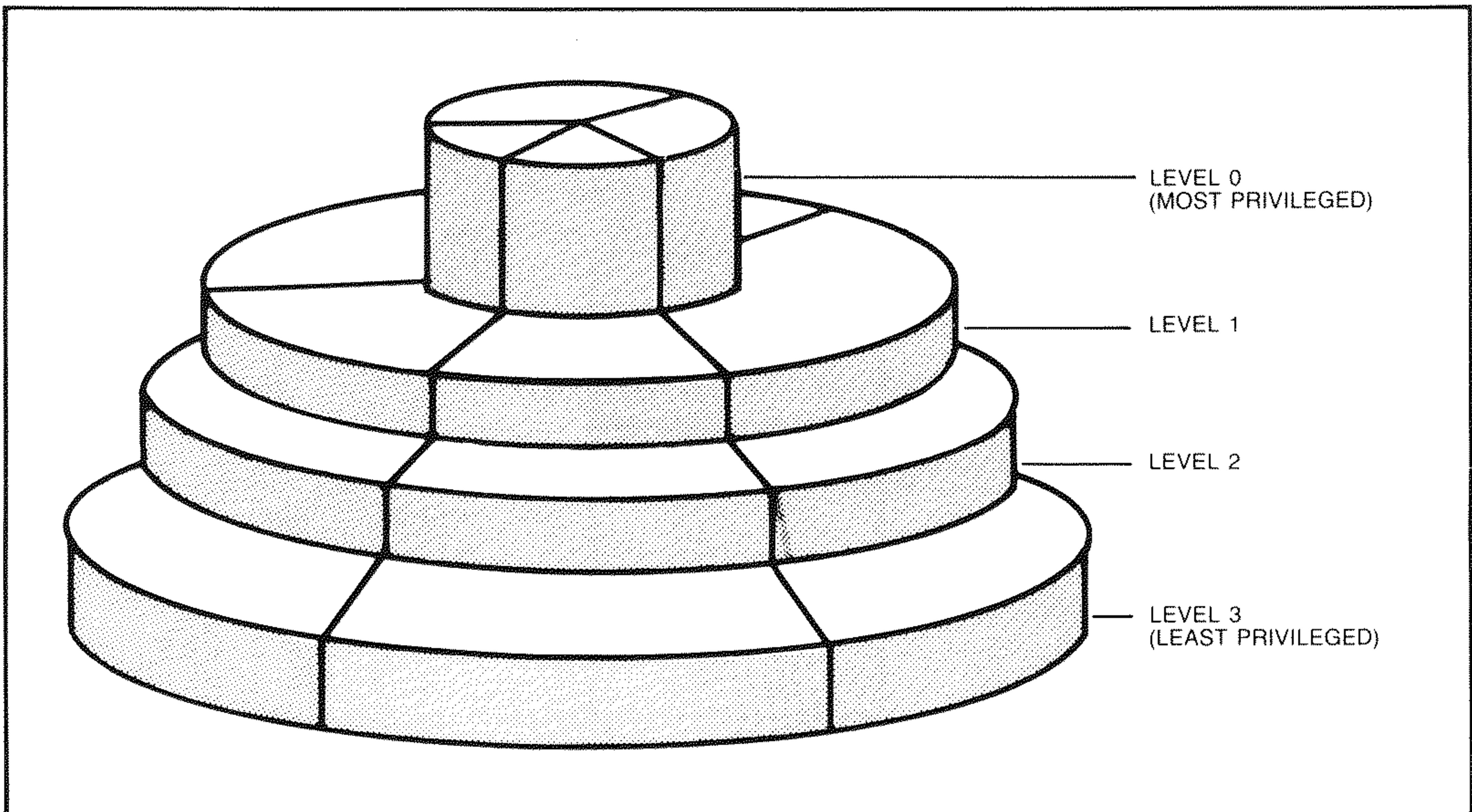


Figure 7. Protection Model



microprocessor software in existence. The designer preserves his investment in software, both applications and operating systems, and can add new software to his system quickly and efficiently.

To utilize the majority of the application software, no recompilation or reassembly is necessary. Exceptions might exist for speed or input/output configuration-dependent software, but the majority of the software will run unchanged.

The same is true of operating systems. Not only is the software compatible at the object-code level, but since the segmented memory management and protection mechanism of the 286 and 386 are identical, no changes are necessary to the operating system routines in charge of managing the memory. If paging is going to be used, routines to manage the pages can be added under the segmentation software.

In other words, iAPX 86 family software, both operating systems and applications, will run on the iAPX 386 without changes and at significantly higher speeds. Not only does the designer protect his software investment, but he can reduce his time to market by using existing 86 software in his new 386 system.

## SUMMARY

The iAPX 386 is the most advanced 32-bit microprocessor. It not only provides the highest per-

formance in the industry, but with its 32-bit Super-micro capabilities of virtual memory and multitasking support, it will serve as the standard in 32-bit processing. A full line of coprocessors insures additional performance and functionality to meet the designer's needs.

With its complete software compatibility with the iAPX 86 family, the iAPX 386 allows the designer to develop a very powerful and advanced system, while reducing his time to market. The software base available for the 386 is the largest in the industry, based on the industry standard, the iAPX 86 architecture.

With such advanced capabilities and software base, the iAPX 386 provides the designer with the most comprehensive and best supported 32-bit solution.

## DOCUMENTATION

Further information is provided in the following documents:

Introduction to the iAPX 286, #210308-001  
iAPX 286 Programmer's Reference Manual, #210498-002  
iAPX 286 Operating System Writer's Guide, #121960-001

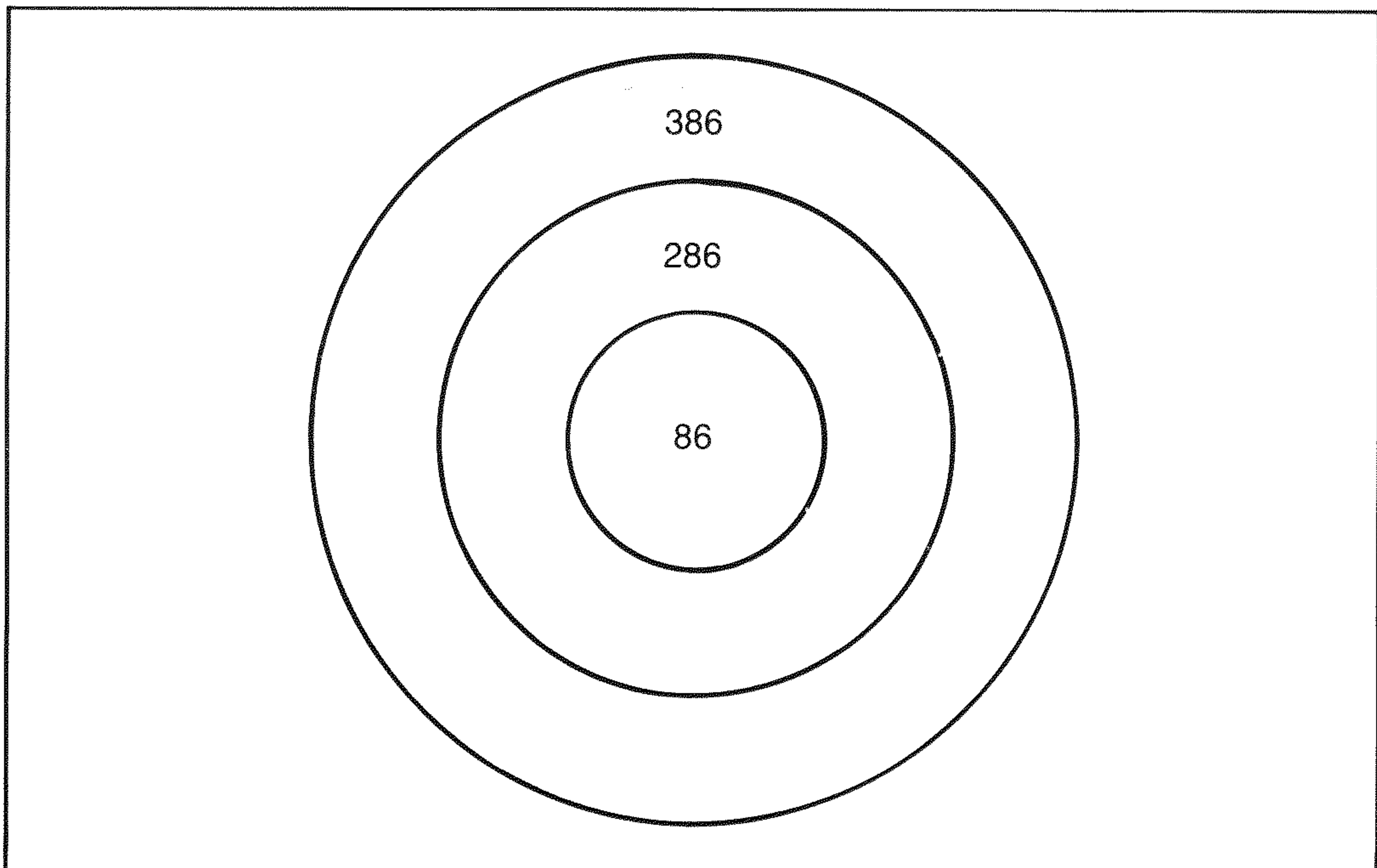


Figure 8. Software Compatibility in iAPX 86 Family



# U.S. SALES OFFICES

## ALABAMA

Intel Corp.  
303 Williams Avenue, S.W.  
Suite 1422  
Huntsville 35801  
Tel: (205) 533-9353

## ARIZONA

Intel Corp.  
11225 N. 28th Drive  
Suite 2140  
Phoenix 85029  
Tel: (602) 869-4980

## CALIFORNIA

Intel Corp.  
1010 Hurley Way  
Suite 300  
Sacramento 95825  
Tel: (916) 929-4078

Intel Corp.  
7670 Opportunity Road  
Suite 135  
San Diego 92111  
Tel: (714) 268-3563

Intel Corp.\*  
2000 East 4th Street  
Suite 100  
Santa Ana 92705  
Tel: (619) 835-9642  
TWX: 910-595-1114

Intel Corp.\*  
1350 Shorebird Way  
Mt. View 94043  
Tel: (415) 968-8086  
TWX: 910-339-9279  
910-338-0255

Intel Corp.\*  
5530 Corbin Avenue  
Suite 120  
Tarzana 91356  
Tel: (213) 708-0333  
TWX: 910-495-2045

## COLORADO

Intel Corp.  
4445 Northpark Drive  
Suite 100  
Colorado Springs 80907  
Tel: (303) 594-6622

Intel Corp.\*  
650 S. Cherry Street  
Suite 720  
Denver 80222  
Tel: (303) 321-8086  
TWX: 910-931-2289

## CONNECTICUT

Intel Corp.  
36 Padanaram Road  
Danbury 06810  
Tel: (203) 792-8366  
TWX: 710-456-1199

EMC Corp.  
393 Center Street  
Wallingford 06492  
Tel: (203) 265-6991

## FLORIDA

Intel Corp.  
1500 N.W. 62nd Street  
Suite 104  
Ft. Lauderdale 33309  
Tel: (305) 771-0600  
TWX: 510-956-9407

Intel Corp.  
500 N. Matland  
Suite 205  
Matland 32751  
Tel: (305) 628-2393  
TWX: 810-853-9219

## GEORGIA

Intel Corp.  
3300 Holcombe Bridge Road  
Suite 225  
Norcross 30092  
Tel: (404) 449-0541

## ILLINOIS

Intel Corp.  
2550 Golf Road,  
Suite 815  
Rolling Meadows 60008  
Tel: (312) 981-7200  
TWX: 910-651-5881

## INDIANA

Intel Corp.  
9100 Purdue Road  
Suite 400  
Indianapolis 46268  
Tel: (317) 875-0623

## IOWA

Intel Corp.  
St. Andrews Building  
1930 St. Andrews Drive N.E.  
Cedar Rapids 52402  
Tel: (319) 393-5510

## KANSAS

Intel Corp.  
8400 W. 110th Street  
Suite 170  
Overland Park 66210  
Tel: (913) 642-8080

## LOUISIANA

Industrial Digital Systems Corp.  
2332 Severn Avenue  
Suite 202  
Metairie, LA 70001  
Tel: (504) 831-8492

## MARYLAND

Intel Corp.\*  
7257 Parkway Drive  
Hanover 21076  
Tel: (301) 796-7500  
TWX: 710-862-1944

Intel Corp.  
1620 Elton Road  
Silver Spring 20903  
Tel: (301) 431-1200

## MASSACHUSETTS

Intel Corp.\*  
27 Industrial Avenue  
Chelmsford 01824  
Tel: (617) 256-1800  
TWX: 710-343-6333

EMC Corp.  
385 Elliot Street  
Newton 02164  
Tel: (617) 244-4740  
TWX: 922531

## MICHIGAN

Intel Corp.\*  
26500 Northwestern Hwy  
Suite 401  
Southfield 48075  
Tel: (313) 353-0920  
TWX: 810-244-4915

## MINNESOTA

Intel Corp.  
3500 W. 80th Street  
Suite 360  
Bloomington 55431  
Tel: (612) 835-6722  
TWX: 910-576-2867

## MISSOURI

Intel Corp.  
4203 Earth City Expressway  
Suite 131  
Earth City 63045  
Tel: (314) 291-1990

## NEW JERSEY

Intel Corp.\*  
Raritan Plaza III  
Raritan Center  
Edison 08837  
Tel: (201) 225-3000  
TWX: 710-480-6238

## NEW MEXICO

Intel Corp.  
1120 Juan Tabo N.E.  
Albuquerque 87112  
Tel: (505) 292-8086

## NEW YORK

Intel Corp.\*  
300 Vanderbilt Motor Parkway  
Hauppauge 11788  
Tel: (516) 231-3300  
TWX: 510-227-6236

Intel Corp.  
80 Washington Street  
Poughkeepsie 12601  
Tel: (914) 473-2303  
TWX: 510-248-0060

Intel Corp.\*  
211 White Spruce Boulevard  
Rochester 14623  
Tel: (716) 424-1050  
TWX: 510-253-7391

T-Squared  
6443 Ridings Road  
Syracuse 13206  
Tel: (315) 463-8592  
TWX: 710-541-0554

T-Squared  
7353 Pittsford  
Victor Road  
Victor 14564  
Tel: (716) 924-9101  
TWX: 510-254-8542

## NORTH CAROLINA

Intel Corp.  
2306 W. Meadowview Road  
Suite 206  
Greensboro 27407  
Tel: (919) 294-1541

## OHIO

Intel Corp.\*  
6500 Poe Avenue  
Dayton 45414  
Tel: (800) 325-4415  
TWX: 810-450-2528

Intel Corp.\*  
Chagrin-Brainard Bldg., No. 300  
28001 Chagrin Boulevard  
Cleveland 44122  
Tel: (216) 464-6915  
TWX: 810-427-9298

## OKLAHOMA

Intel Corp.  
4157 S. Harvard Avenue  
Suite 123  
Tulsa 74135  
Tel: (918) 749-8688

## OREGON

Intel Corp.  
10700 S.W. Beaverton  
Hillsdale Highway  
Suite 22  
Beaverton 97005  
Tel: (503) 641-8086  
TWX: 910-467-8741

## PENNSYLVANIA

Intel Corp.\*  
510 Pennsylvania Avenue  
Fort Washington 19034  
Tel: (215) 641-1000  
TWX: 510-661-2077

Intel Corp.\*  
201 Penn Center Boulevard  
Suite 301W  
Pittsburgh 15235  
Tel: (412) 823-4970

Q.E.D. Electronics  
300 N. York Road  
Hatboro 19040  
Tel: (215) 674-9600

## TEXAS

Intel Corp.\*  
12300 Ford Road  
Suite 380  
Dallas 75234  
Tel: (214) 241-8087  
TWX: 910-860-5617

Intel Corp.\*  
7322 S.W. Freeway  
Suite 1490  
Houston 77074  
Tel: (713) 988-8086  
TWX: 910-881-2490

Industrial Digital Systems Corp.  
5925 Sovereign  
Suite 101  
Houston 77036  
Tel: (713) 988-9421

Intel Corp.  
313 E. Anderson Lane  
Suite 314  
Austin 78752  
Tel: (512) 454-3628

## UTAH

Intel Corp.  
268 West 400 South  
Salt Lake City 84101  
Tel: (801) 533-8086

## VIRGINIA

Intel Corp.  
1603 Santa Rosa Road  
Suite 109  
Richmond 23288  
Tel: (804) 282-5668

## WASHINGTON

Intel Corp.  
110 110th Avenue N.E.  
Suite 510  
Bellevue 98004  
Tel: (206) 453-8086  
TWX: 910-443-3002

## WISCONSIN

Intel Corp.  
450 N. Sunnyslope Road  
Suite 130  
Brookfield 53005  
Tel: (414) 784-9060

\*Field Application Location



# INTEL EUROPEAN SALES OFFICES

## BELGIUM

Intel Corporation S A  
Parc Seny  
Rue du Moulin a Papier 51  
Boite 1  
B-1160 Brussels  
Tel: (02) 661 07 11  
TELEX 24814

## DENMARK

Intel Denmark A S  
Lyngbyvej 32F 2nd Floor  
DK-2100 Copenhagen East  
Tel: (01) 18 20 00  
TELEX 19567

## FINLAND

Intel Finland OY  
Hameentie 103  
SF - 00550 Helsinki 55  
Tel: 0716 955  
TELEX 123 332

## FRANCE

Intel Corporation S A R L  
5 Place de la Balance  
Sic 223  
94528 Rungis Cedex  
Tel: (01) 687 22 21  
TELEX 270475

Intel Corporation S A R L  
Immeuble BBC  
4 Quai des Etroits  
69005 Lyon  
Tel: (7) 842 40 89  
TELEX 305153

## WEST GERMANY

Intel Semiconductor GmbH  
Seidstrasse 27  
D-8000 Muenchen 2  
Tel: (89) 53891  
TELEX: 05-23177 INTL D

Intel Semiconductor GmbH  
Mainzer Strasse 75  
D-6200 Wiesbaden 1  
Tel: (6121) 70 08 74  
TELEX: 04186183 INTW D

Intel Semiconductor GmbH  
Brueckstrasse 61  
7012 Fellbach  
West Germany  
Tel: (711) 58 00 82  
TELEX: 7254826 INTS D

Intel Semiconductor GmbH  
Hohenzollern Strasse 5  
3000 Hannover 1  
Tel: (511) 34 40 81  
TELEX: 923625 INTN D

Intel Semiconductor GmbH  
Ober-Ratherstrasse 2  
D-4000 Dusseldorf 30  
Tel: (211) 65 10 54  
TELEX: 08-58977 INTL D

## ISRAEL

Intel Semiconductor Ltd  
P O Box 1659  
Haifa  
Tel: 4-524 261  
TELEX 46511

## ITALY

Intel Corporation Italia Spa  
Milanfiori, Palazzo E  
20094 Assago (Milano)  
Tel: (02) 824 00 06  
TELEX: 315183 INTMIL

## NETHERLANDS

Intel Semiconductor Nederland B V  
Alexanderpoort Building  
Marten Meesweg 93  
3068 Rotterdam  
Tel: (10) 21 33 77  
TELEX: 22283

## NORWAY

Intel Norway A/S  
P O Box 92  
Hvamveren 4  
N-2013  
Skjetten  
Tel: (2) 742 420  
TELEX 18018

## SWEDEN

Intel Sweden A B  
Box 20092  
Archimedesvagen 5  
S-16120 Bromma  
Tel: (08) 98 53 85  
TELEX: 12261

## SWITZERLAND

Intel Semiconductor A G  
Forchstrasse 95  
CH 8032 Zurich  
Tel: (01) 55 45 02  
TELEX: 57989 ICH CH

## UNITED KINGDOM

Intel Corporation (U.K.) Ltd  
5 Hospital Street  
Nantwich, Cheshire CW5 5RE  
Tel: (0270) 626 560  
TELEX: 36620

Intel Corporation (U.K.) Ltd  
Pipers Way  
Swindon, Wiltshire SN3 1RJ  
Tel: (0793) 488 388  
TELEX: 444447 INT SWN

\*Field Application Location

# EUROPEAN DISTRIBUTORS/REPRESENTATIVES

## AUSTRIA

Bacher Elektronische Gerate GmbH  
Rotemuehlgasse 26  
A 1120 Vienna  
Tel: (222) 83 63 96  
TELEX: 11532 BASAT A

## BELGIUM

Inelco Belgium S A  
Ave des Croix de Guerre 94  
B1120 Brussels  
Tel: (02) 216 01 60  
TELEX 25441

## DENMARK

MultiKomponent A/S  
Fabriksparken 31  
DK-2600 Glostrup  
Tel: (02) 45 66 45  
TX 33355

## FINLAND

Oy Fintronic AB  
Melkonkatu 24 A  
SF-00210  
Helsinki 21  
Tel: (0) 692 60 22  
TELEX: 124 224 Ftron SF

## FRANCE

GENERIM  
Z I de Courtaboeuf  
Avenue de la Baltique  
91943 Les Ulis Cedex-B P 88  
Tel: (6) 907 78 78  
TELEX: F 691700

Metrologie  
La Tour d Asnieres  
1, Avenue Laurent Cely  
92606-Asnieres  
Tel: (1) 791 44 44  
TELEX: 611 448

Tekelec Airtronic  
Cite des Bruyeres  
Rue Carle Vernet  
F-92310 Sevres  
Tel: (01) 534 75 35  
TELEX: 204552

## WEST GERMANY

Electronic 2000 Vertriebs A G  
Neumarkter Strasse 75  
D-8000 Munich 80  
Tel: (89) 43 40 61  
TELEX: 522561 EIEC D

Jermyn GmbH  
Postfach 1180  
Schulstrasse 48  
D-6277 Bad Camberg  
Tel: (06434) 231  
TELEX: 484426 JERM D

Celdis Enatechnik Systems GmbH  
Schillerstrasse 14  
D-2085 Quickborn-Hamburg  
Tel: (4106) 6121  
TELEX: 213590 ENA D

METROLOGIE GmbH  
Hansastrasse 15  
8000 Munich 80  
Tel: (89) 57 30 84  
TELEX: D 5212189

Proelectron Vertriebs GmbH  
Max Planck Strasse 1-3  
6072 Dreieich bei Frankfurt  
Tel: (6103) 33564  
TELEX: 417983

## IRELAND

Micro Marketing  
Glenageary Office Park  
Glenageary  
Co. Dublin  
Tel: (1) 85 62 88  
TELEX: 31584

## ISRAEL

Eastronics Ltd  
11 Rozanis Street  
P O Box 39300  
Tel Aviv 61390  
Tel: (3) 47 51 51  
TELEX: 33638

## ITALY

Eledra S S P A  
Viale Elvezia, 18  
I 20154 Milano  
Tel: (2) 34 97 51  
TELEX: 332332

Intesi  
Milanfiori Pal. E/5  
20090 Assago  
Milano  
Tel: (02) 82470  
TELEX: 311351

## NETHERLANDS

Koning & Hartman  
Koperwerf 30  
P O Box 43220  
2544 EN 's Gravenhage  
Tel: 31 (70) 210 101  
TELEX: 31528

## NORWAY

Nordisk Elektronik (Norge) A/S  
Postoffice Box 122  
Smedsvingen 4  
1364 Hvalstad  
Tel: (2) 786 210  
TELEX: 16963

## PORTUGAL

Ditram  
Componentes E Electronica LDA  
Av. Miguel Bombarda, 133  
P1000 Lisboa  
Tel: (19) 545 313  
TELEX: 14182 Brieks-P

## SPAIN

Interface S A  
Ronda San Pedro 22, 3  
Barcelona 10  
Tel: (3) 301 78 51  
TWX 51508

ITT SESA  
Miguel Angel 23-3  
Madrid 10  
Tel: (1) 419 54 00  
TELEX: 27707

## SWEDEN

AB Gosta Backstrom  
Box 12009  
Alstroemergatan 22  
S-10221 Stockholm 12  
Tel: (8) 541 080  
TELEX: 10135

Nordisk Elektronik AB  
Box 27301  
Sandhamnsgatan 71  
S-10254 Stockholm  
Tel: (8) 635 040  
TELEX: 10547

## SWITZERLAND

Industrade AG  
Gemsenstrasse 2  
Postcheck 80 - 21190  
CH-8021 Zurich  
Tel: (01) 363 23 20  
TELEX: 56788 INDEL CH

## UNITED KINGDOM

Bytech Ltd.  
Unit 57  
London Road  
Earley, Reading  
Berkshire  
Tel: (0734) 61031  
TELEX: 848215

Comway Microsystems Ltd.  
Market Street  
UK-Bracknell, Berkshire  
Tel: 44 (344) 55333  
TELEX: 847201

Jermyn Industries  
Vestry Estate  
Sevenoaks, Kent  
Tel: (0732) 450144  
TELEX: 95142

M E D L  
East Lane Road  
North Wembley  
Middlesex HA9 7PP  
Tel: (01) 904 93 07  
TELEX: 28817

Rapid Recall, Ltd  
Rapid House/Denmark St  
High Wycombe  
Berks, England HP11 2ER  
Tel: (0494) 26 271  
TELEX: 837931

## YUGOSLAVIA

H R Microelectronics Enterprises  
P O Box 5604  
San Jose, California 95150  
Tel: 408/978-8000  
TELEX: 278-559



INTEL CORPORATION, 3065 Bowers Ave., Santa Clara, CA 95051; Tel. (408) 987-8080.

INTEL INTERNATIONAL Ltd., Swindon, United Kingdom; Tel. (0793) 488 388.

INTEL JAPAN k.k., Ibaraki-ken; Tel. 029747-8511.