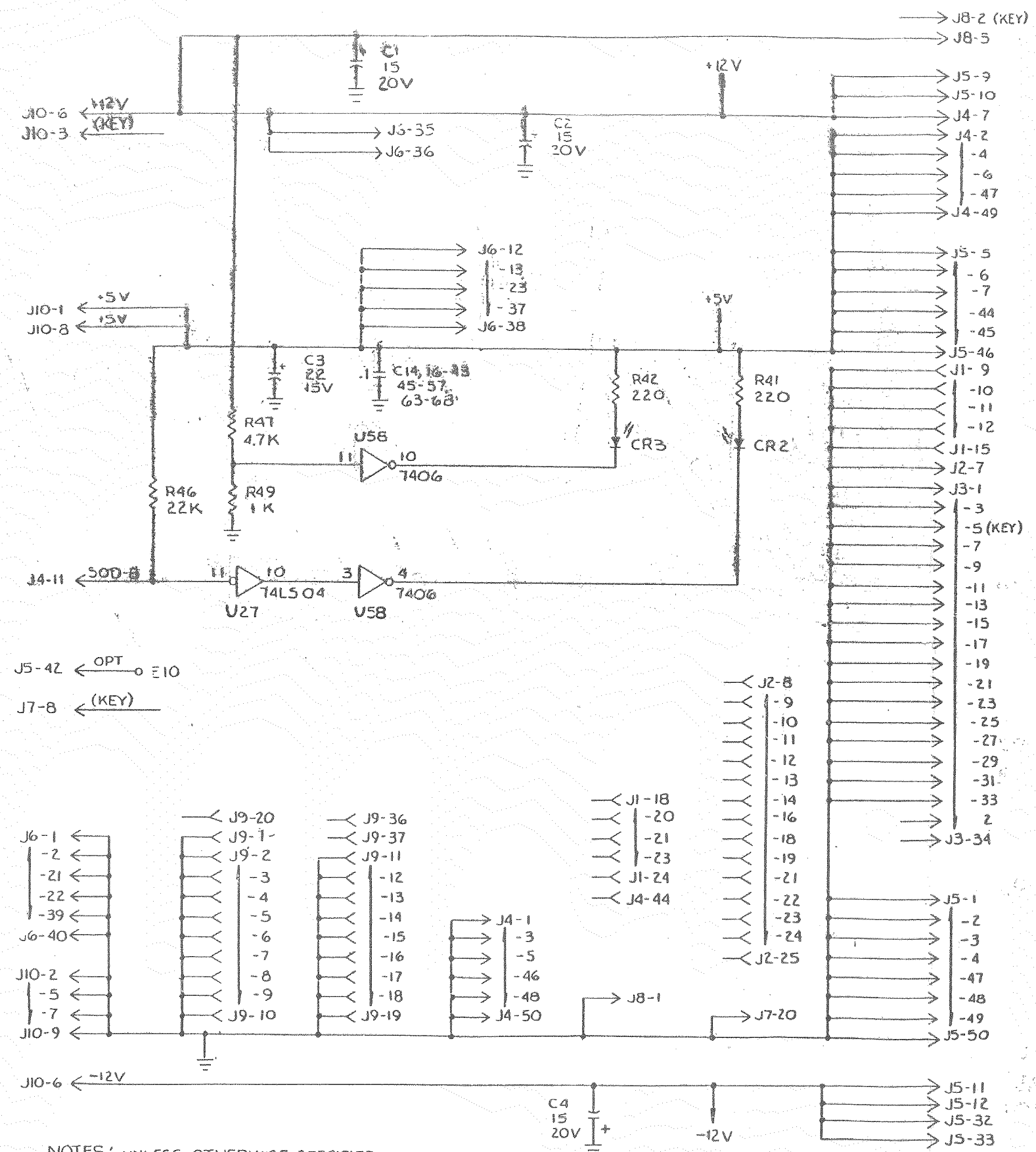


ALL INFORMATION CONTAINED HEREIN IS RECEIVED IN CONFIDENCE AND ITS DISCLOSURE IS UNLAWFUL WITHOUT THE WRITTEN CONSENT OF INTEL CORPORATION



- NOTES: UNLESS OTHERWISE SPECIFIED
1. ALL RESISTOR VALUES ARE IN OHMS, 1/4W, 5%.
 2. ALL CAPACITOR VALUES ARE IN MICROFARADS, 50V, +80% -20%
 3. ONLY ONE OF THESE THREE INSTALLED AT U24 2764 PINS IN ()

| REFERENCE DESIGNATOR | DEVICE TYPE | QTY | POWER PINS | | |
|----------------------|-------------|-----------|------------|----|---|
| U53 | 7406 | 7 | 14 | | |
| U60, 61, 79, 70 | 7438 | 7 | 14 | | |
| U51 | 7486 | 7 | 14 | | |
| U4 | 74196 | 7 | 14 | | |
| U5, 54, 62 | 74504 | 7 | 14 | | |
| U31, 39, 59 | 74LS00 | 7 | 14 | | |
| U68 | 74LS02 | 7 | 14 | | |
| U27, 48, 53, 59 | 74LS04 | 7 | 14 | | |
| U30, 52 | 74LS08 | 7 | 14 | | |
| U66 | 74LS11 | 7 | 14 | | |
| U45 | 74LS14 | 7 | 14 | | |
| U22, 36, 47, 67 | 74LS32 | 7 | 14 | | |
| U28, 65 | 74LS74 | 7 | 14 | | |
| U64 | 74LS112 | 8 | 16 | | |
| U6, 46 | 74LS125 | 7 | 14 | | |
| U29 | 74LS132 | 7 | 14 | | |
| U26 | 74LS138 | 8 | 16 | | |
| U19 | 74LS139 | 8 | 16 | | |
| U34 | 74LS153 | 8 | 16 | | |
| U21 | 74LS257 | 8 | 16 | | |
| U1, 63 | 74LS161 | 8 | 16 | | |
| U33 | 74LS166 | 8 | 16 | | |
| U35 | 74LS175 | 8 | 16 | | |
| U18 | 74LS193 | 8 | 16 | | |
| U44 | 74LS244 | 10 | 20 | | |
| U11, 37 | 74LS245 | 10 | 20 | | |
| U50 | 74LS273 | 10 | 20 | | |
| U9, 38, 55, 81 | 74LS373 | 10 | 20 | | |
| U2, 49 | 74LS393 | 7 | 14 | | |
| U17 | 75188 | 7 | 14 | 14 | 1 |
| U15, 16 | 75189A | 7 | 14 | | |
| U7, 80 | 2168 | 10 | 20 | | |
| U71-78 | 2164A | 16 | 8 | | |
| U8, 32 | 2716-1 | 12 | 24 | | |
| U24 | SEE NOTE 3 | 2716/2732 | 12 | 24 | |
| | | 2764 | 14 | 28 | |
| U3, 23 | 8085A-2 | 20 | 40 | | |
| J56 | 8202A | 20 | 40 | | |
| U14 | 8251A | 4 | 26 | | |
| U25 | 8253-5 | 12 | 24 | | |
| U12, 13, 43 | 8255A-5 | 7 | 26 | | |
| U10 | 8272 | 20 | 40 | | |
| U20 | 8275 | 20 | 40 | | |
| J41, 42, 57 | SOCKET | 7 | 14 | | |
| U40 | SOCKET | 3 | 16 | | |

| REV | DESCRIPTION | DFT | DATE | CHK | DATE | APVD | DATE |
|-----|-------------|--------|--------|-----|--------|------|--------|
| A | ECO 1A-2046 | MBATES | 7-7-83 | | 7/1/83 | | 7/1/83 |

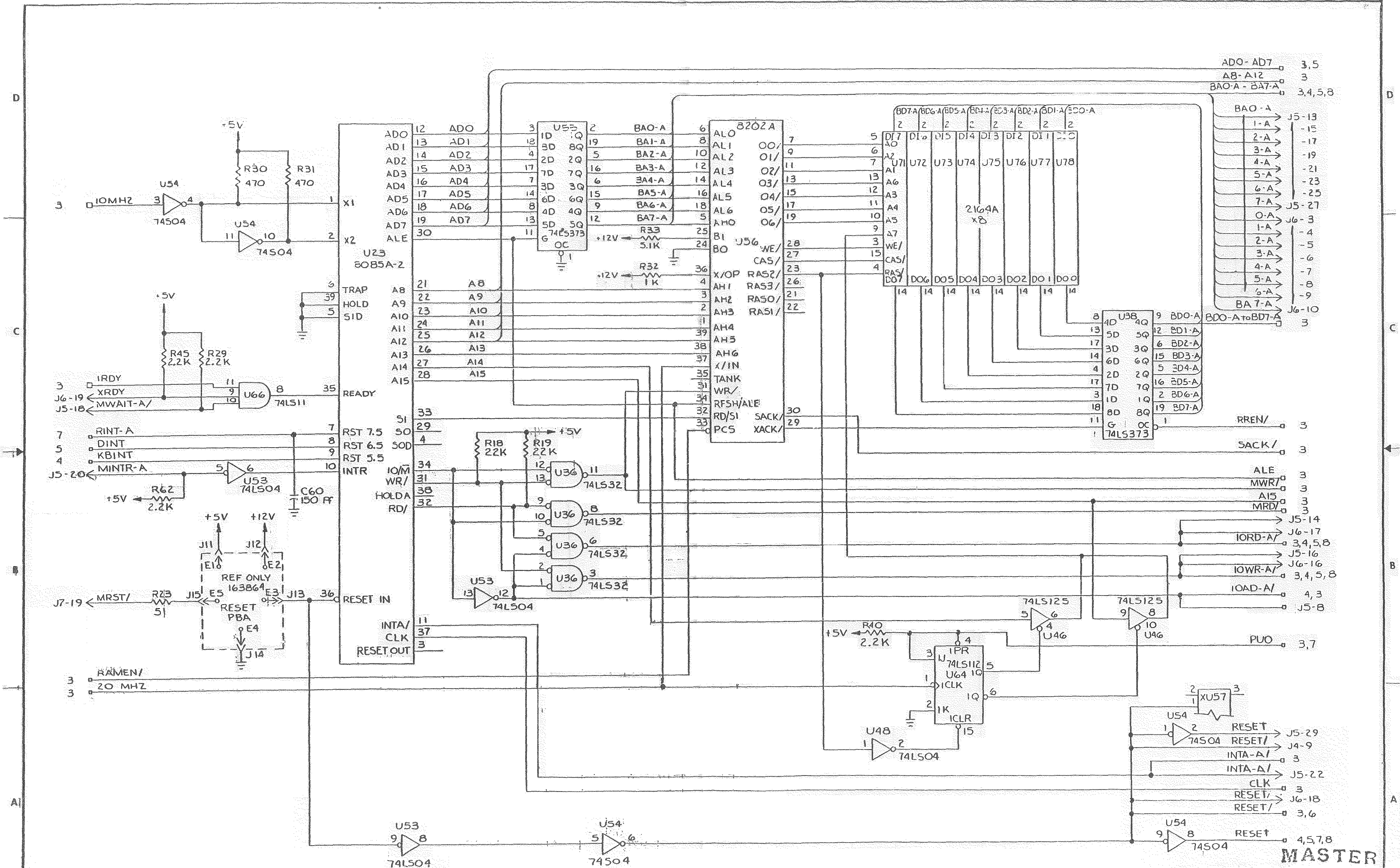
| REF DESIGNATOR | TYPE | REF DES | QTY |
|--------------------|------------------------|---------|-----|
| B1 | | | |
| W9 | | | |
| J15 | | | |
| E37 | E 32, 33, 34, 35 | | |
| CR6 | CR1 | | |
| Y2 | | | |
| C68 | C12, 13, 15, 44, 5, 59 | | |
| RP3 | | | |
| R71 | R6, 11, 54, 64 | | |
| U81 | | | |
| LAST USED NOT USED | | | |

| REF DESIGNATOR | TYPE | REF DES | QTY |
|----------------|--------|---------|------|
| 75188 | U17 | | 1 |
| 74LS393 | U49 | | 1 |
| 74LS08 | U30 | | 1 |
| 75189A | U16 | | 3 |
| 74LS153 | U34 | | 1 |
| 74LS125 | U6, 46 | | 7, 1 |
| 74LS04 | U53 | | 1 |
| 74LS00 | U6, 9 | | 1 |
| 74504 | U62 | | 1 |
| 74LS02 | U68 | | 1 |
| 7406 | U58 | | 1 |

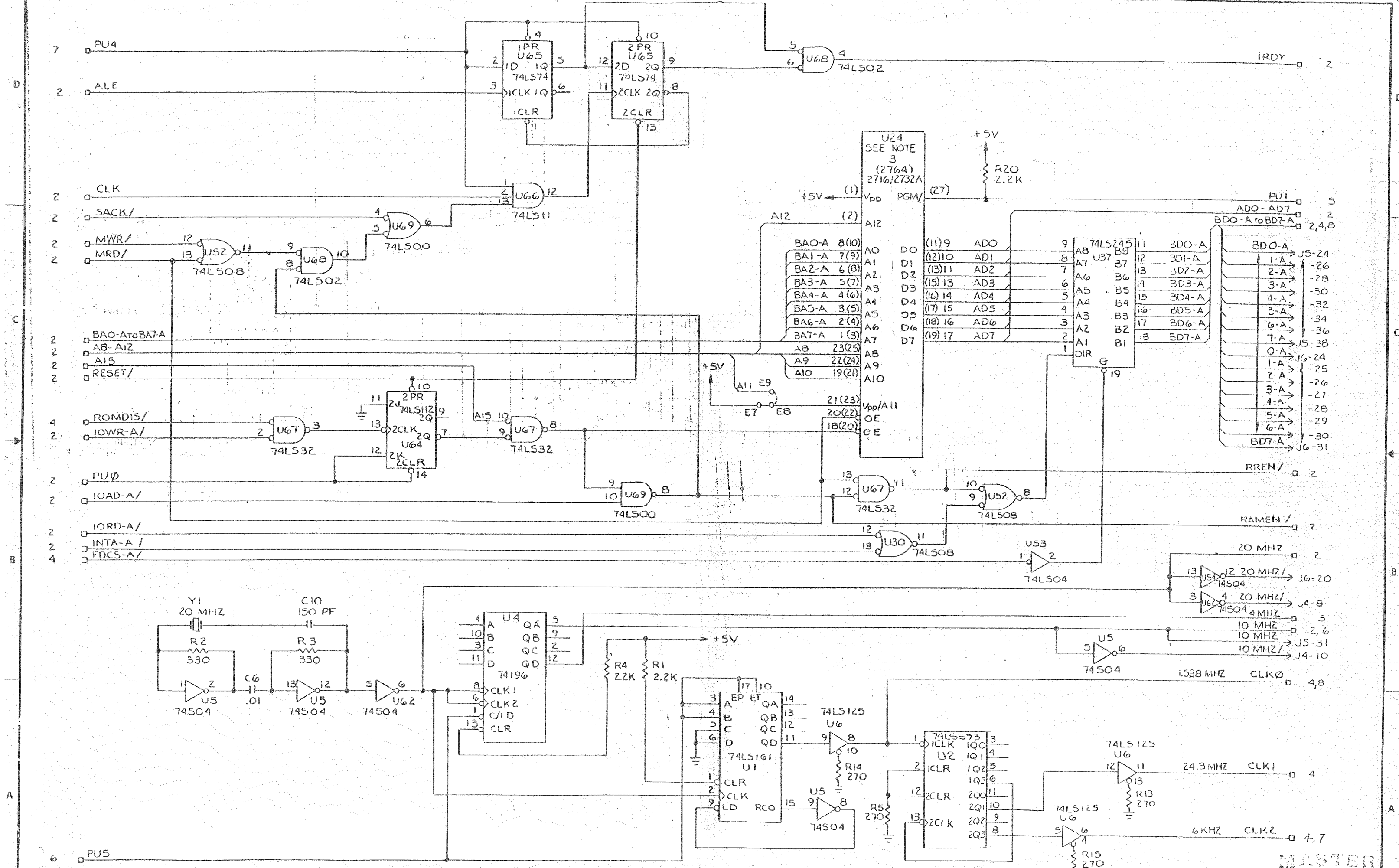
| ITEM NO. | DESCRIPTION |
|----------|------------------------------|
| | UNLESS OTHERWISE SPECIFIED: |
| | 1. DIMENSIONS ARE IN INCHES. |
| | 2. BREAK ALL SHARP EDGES. |
| | 3. DO NOT SCALE DRAWING. |
| | 4. TOLERANCES: |
| | ANGLES ± |
| | XXX ± |
| | XXX ± |

| | |
|------------|---------------------------------|
| 163197-005 | ASSEMBLIES USING THIS SCHEMATIC |
|------------|---------------------------------|

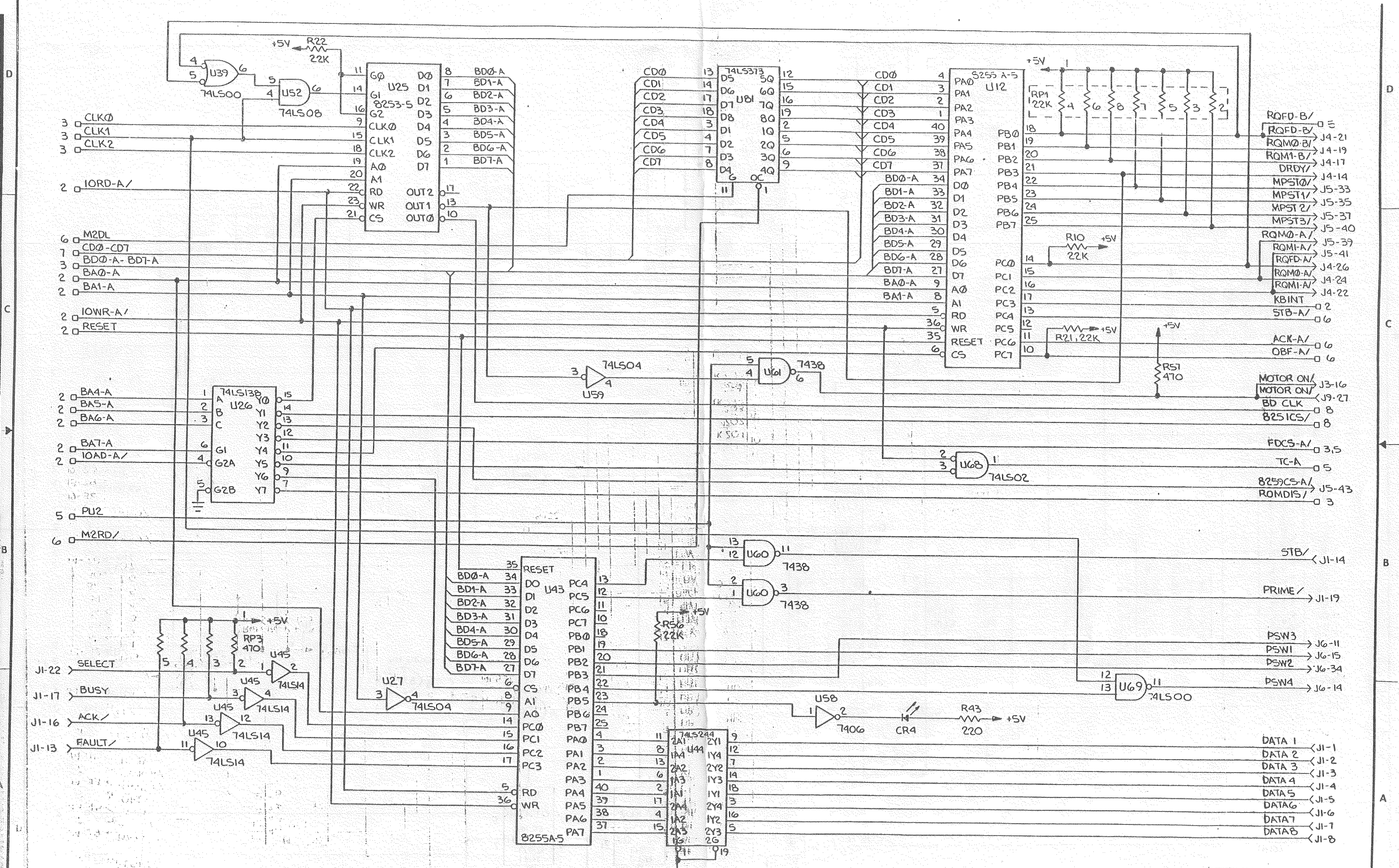
| | | | |
|-----------------------|--------|---------------------------------|--|
| SIGNATURE | DATE | | 3065 BOWERS AVE SANTA CLARA CALIF. 95051 |
| DRN BY MBATES | 7-7-83 | | |
| CHK BY [Signature] | 7/6/83 | | |
| ENGR APVD [Signature] | 7/6/83 | | |
| APVD | | TITLE SCHEMATIC, BASE PROCESSOR | |
| APVD | | SIZE D | DCL C 14 |
| | | CL CODE 0100 | RLSE LVL |
| | | DOCUMENT NUMBER 164572 | REV A |
| | | SCALE | SHEET 1 OF 8 |

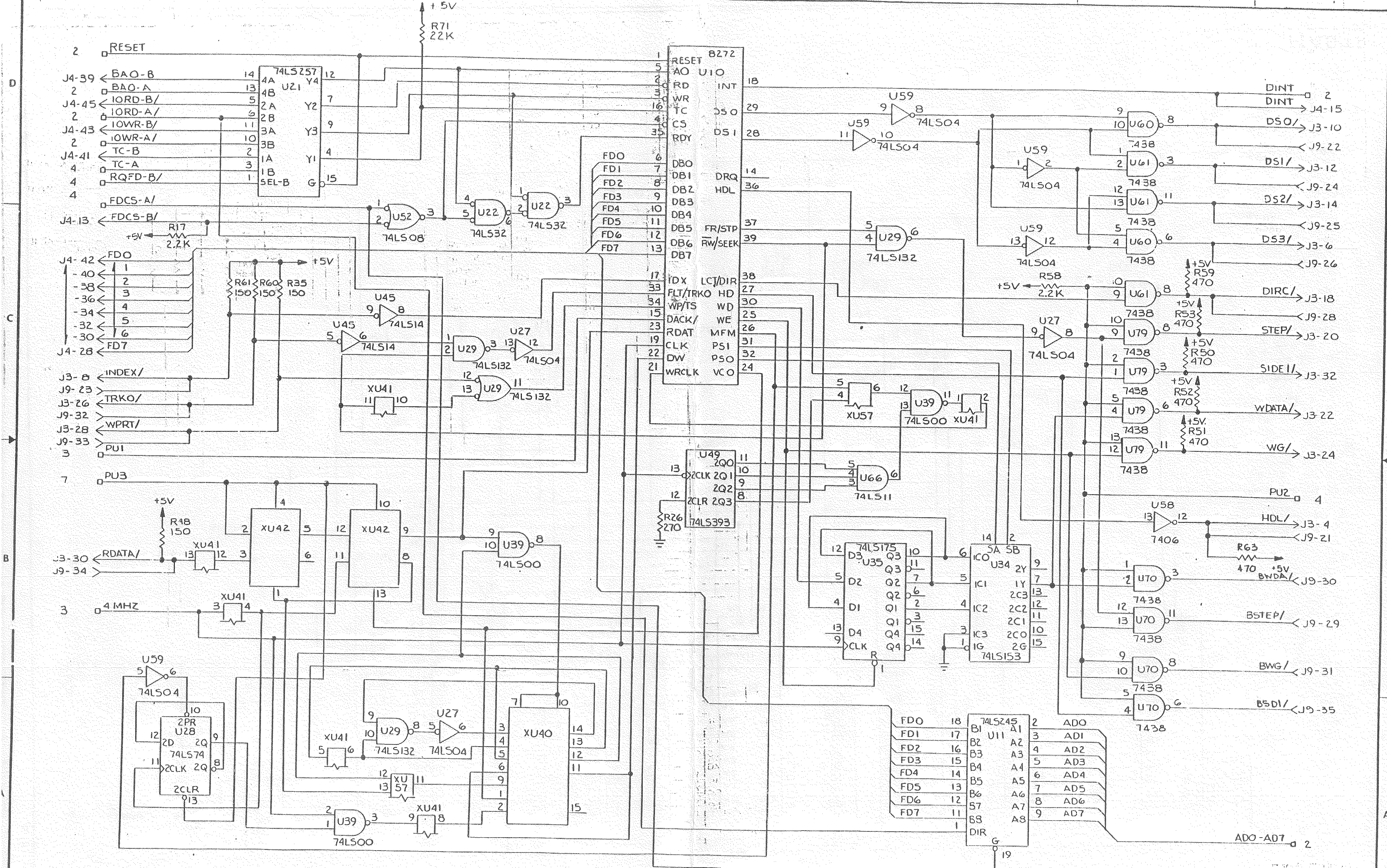


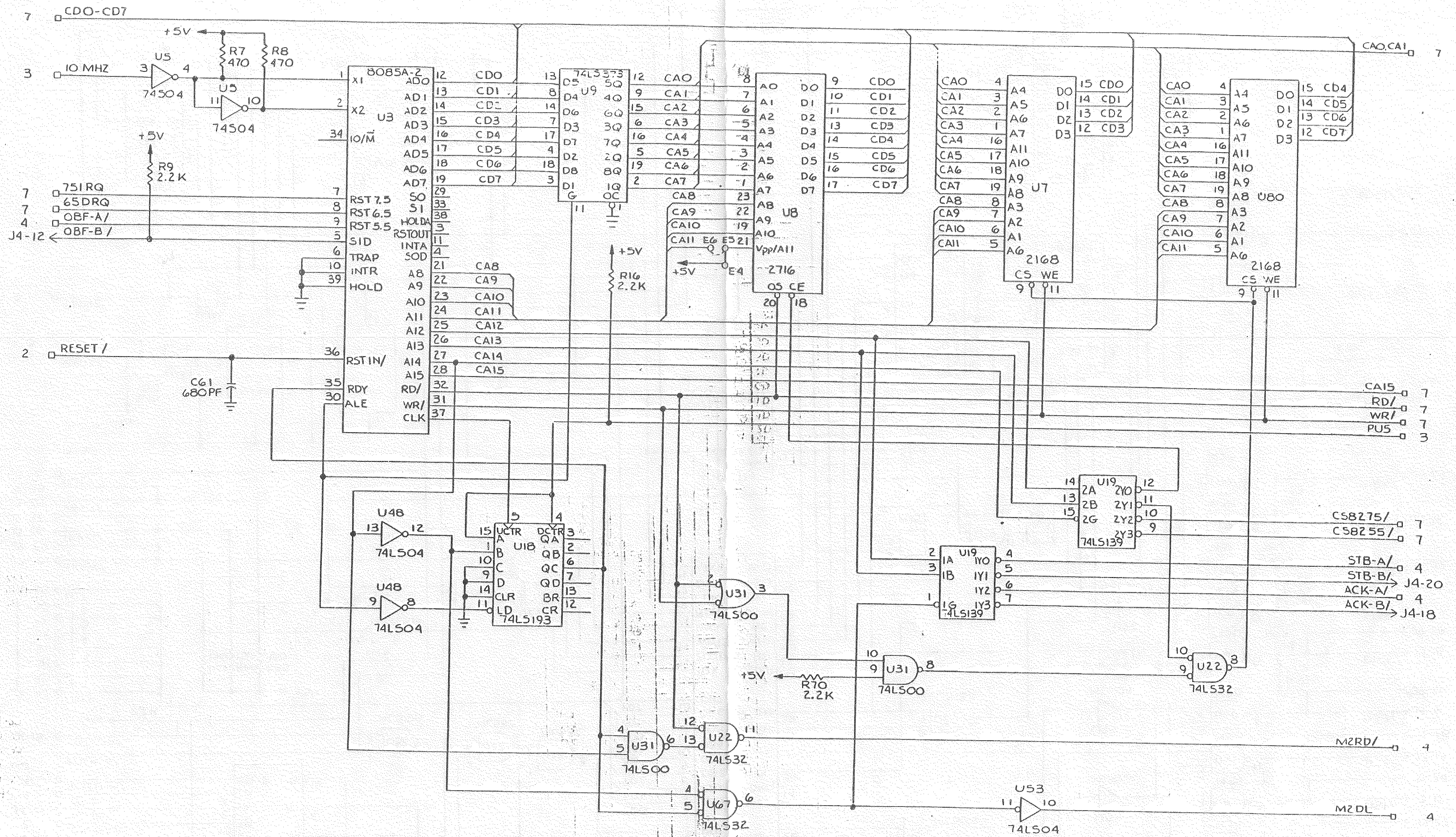
MASTER



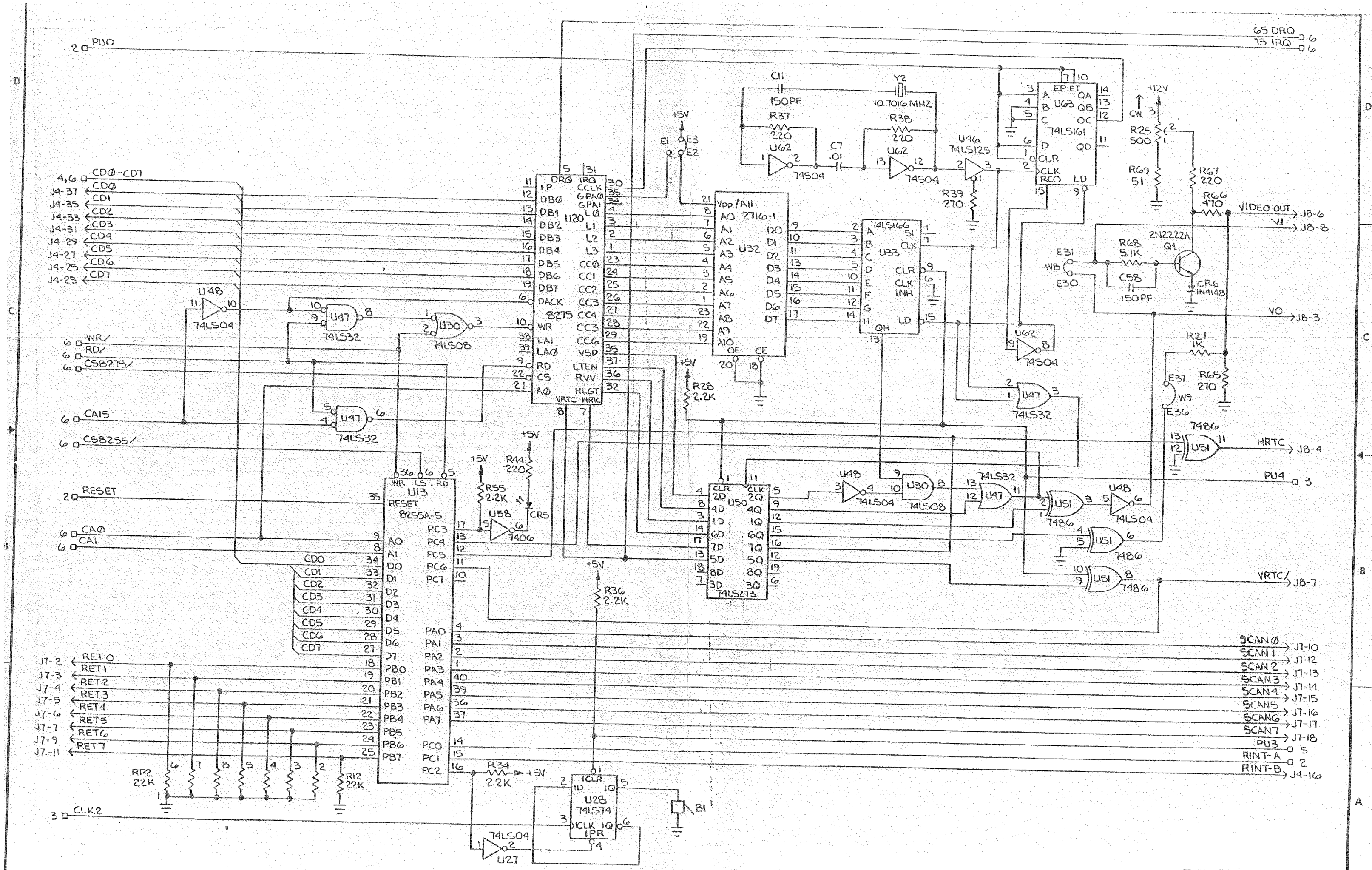
MASTER

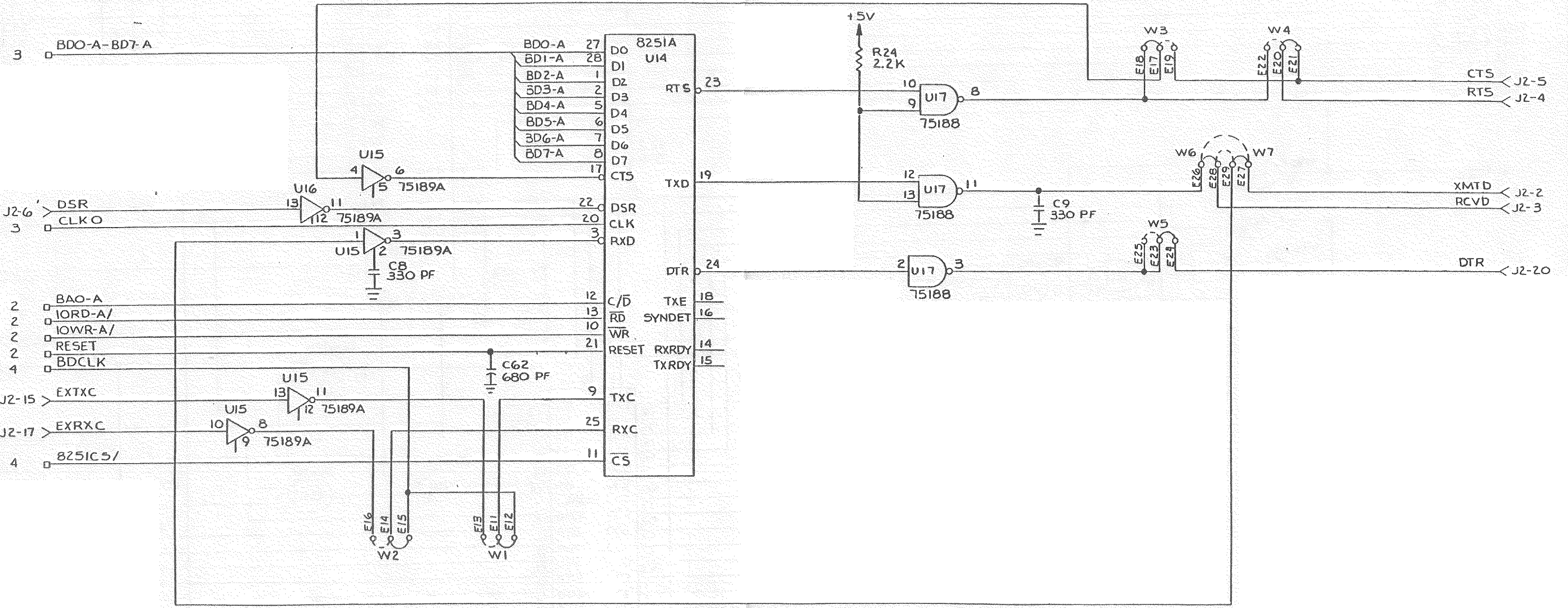






MASTER





D
C
B
A