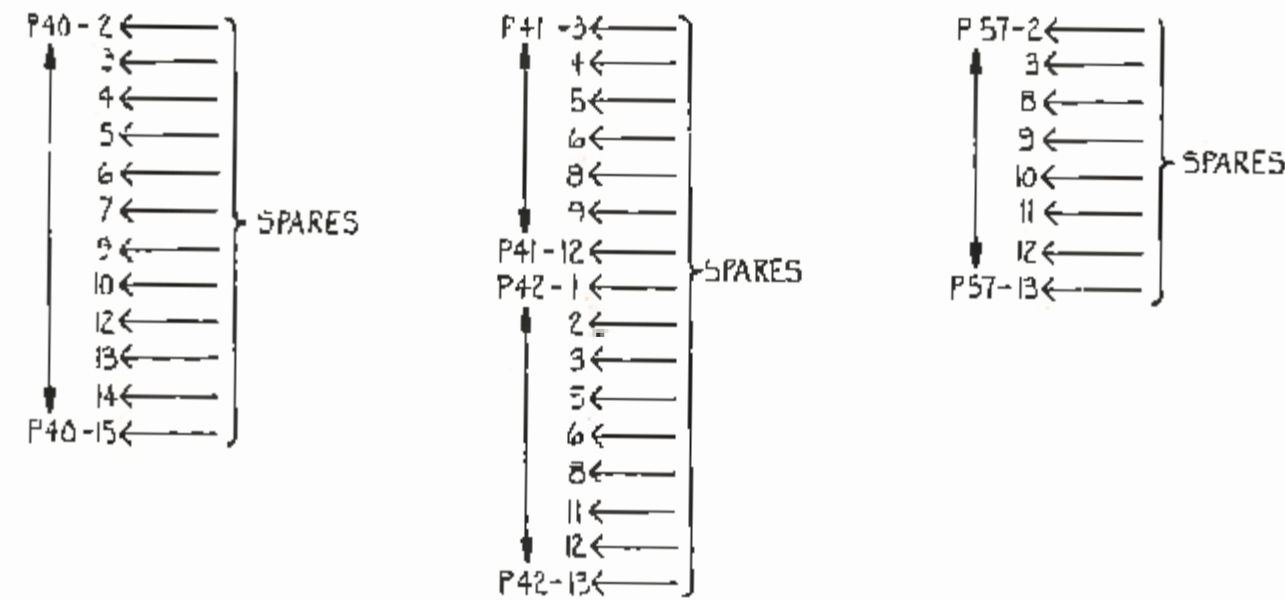
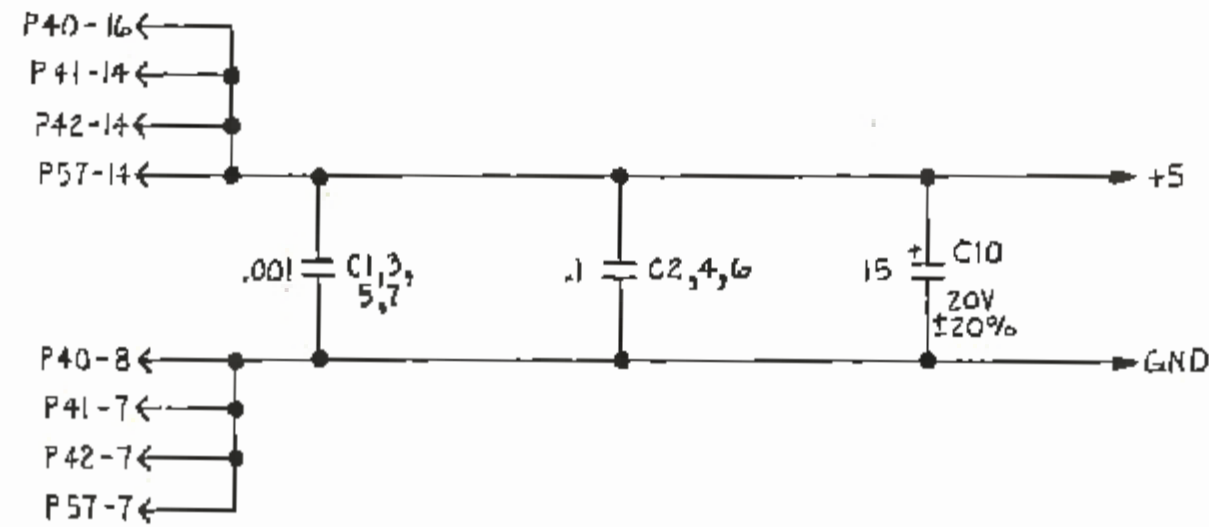


THIS DRAWING CONTAINS INFORMATION WHICH IS THE PROPRIETARY PROPERTY OF INTEL CORPORATION OR ITS AFFILIATED COMPANIES. IT IS TO BE KEPT IN CONFIDENCE AND ITS CONTENTS MAY NOT BE DISCLOSED WITH-OUT THE PRIOR WRITTEN CONSENT OF INTEL CORPORATION.

DEVICE TABLE

REFERENCE DESIGNATOR	DEVICE TYPE	POSITIVE PINS	NEGATIVE PINS	USED LOGIC ELEMENT
U7	74132	7	14	U7-6
U2	74157	8	16	
U8,11	74574	7	14	U8-8,9
U4,10	74512	8	16	
U12	74512	8	16	
U5	74LS00	7	14	
U6	74LS02	7	14	
U9	7432	7	14	U9-8,11
U3	74LS333	7	14	
J1	1602	3	16	
RPI	2.2K			RPI-5,6,8

REVISIONS						
REV	DESCRIPTION	DFT	DATE	CHK	APVD	DATE
A	ECO 14-1188		6/21/82	P. J. Hill	P. C.	6/24/82

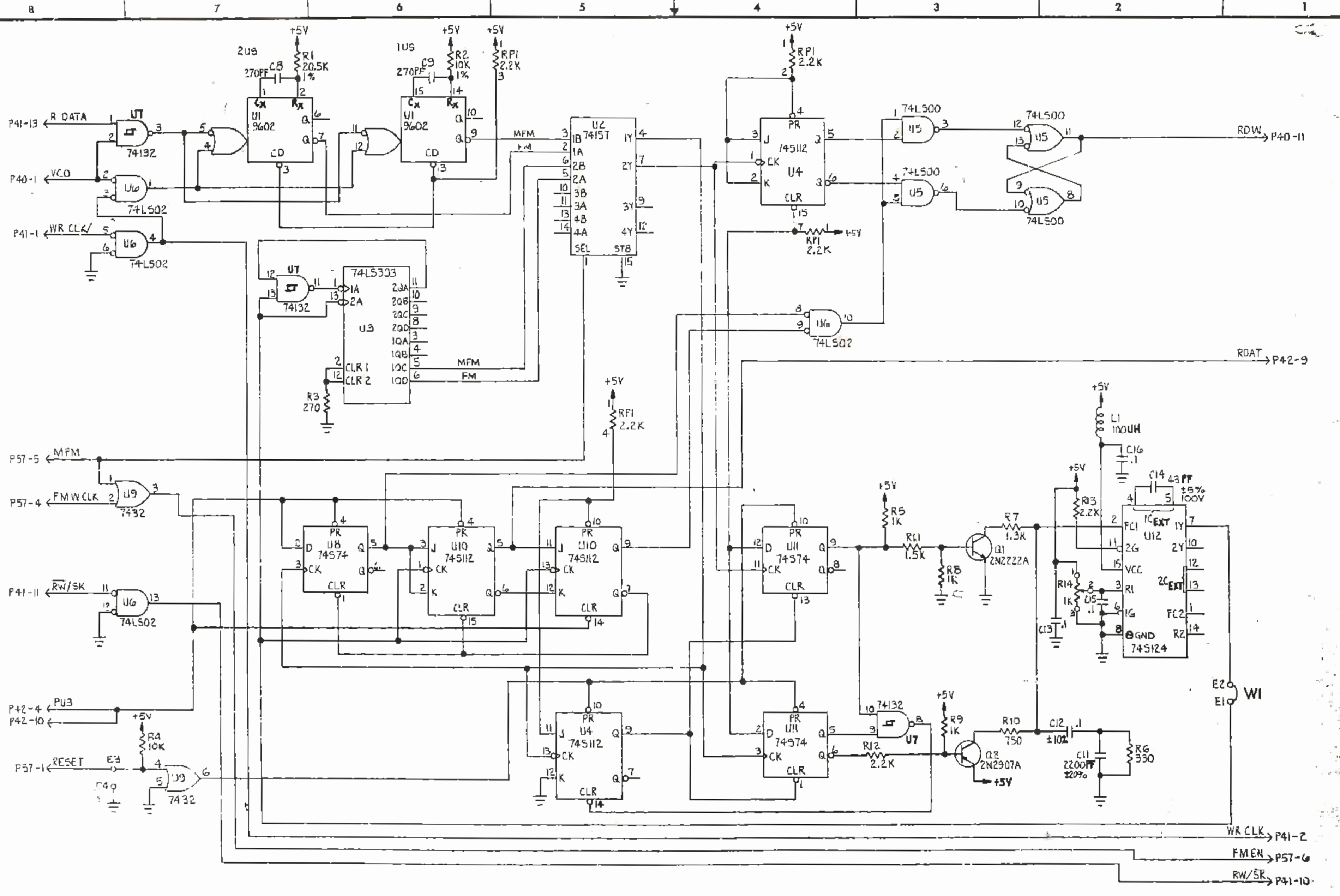


NOTES: UNLESS OTHERWISE SPECIFIED  
 1. ALL CAPACITOR VALUES ARE IN MICROFARADS, +80%, -20%, 50V.  
 2. ALL RESISTOR VALUES ARE IN OHMS, 1/4 W, 5%.

P57	P1-P59
W2	P43-P56
RPI	
E4	
L1	
Q2	
C16	
R17	
U12	
LAST USED	NOT USED
REF DESIGNATOR	

163660-001  
 ASSEMBLIES USING  
 THIS SCHEMATIC

QUANTITY PER DASH NO.		ITEM NO.	DESCRIPTION
UNLESS OTHERWISE SPECIFIED:		SIGNATURE	DATE
1. DIMENSIONS ARE IN INCHES	2. BREAK ALL SHARP EDGES	3. DO NOT SCALE DRAWING	4. TOLERANCES: ANGLES ±, XX ±, XXX ±
INTEL		3065 BOWERS AVE SANTA CLARA CALIF. 95051	
TITLE		SCHEMATIC, DATA SEPARATOR	
SIZE	D 14	DOC CODE	0100
REV	A	DOCUMENT NUMBER	163660
SCALE		SHEET 1 OF 2	



SIZE	DOCUMENT NUMBER	SHEET REV
D	163662	2 A