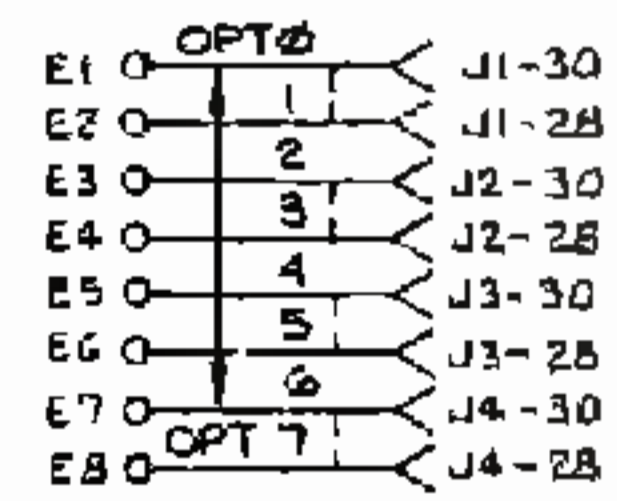
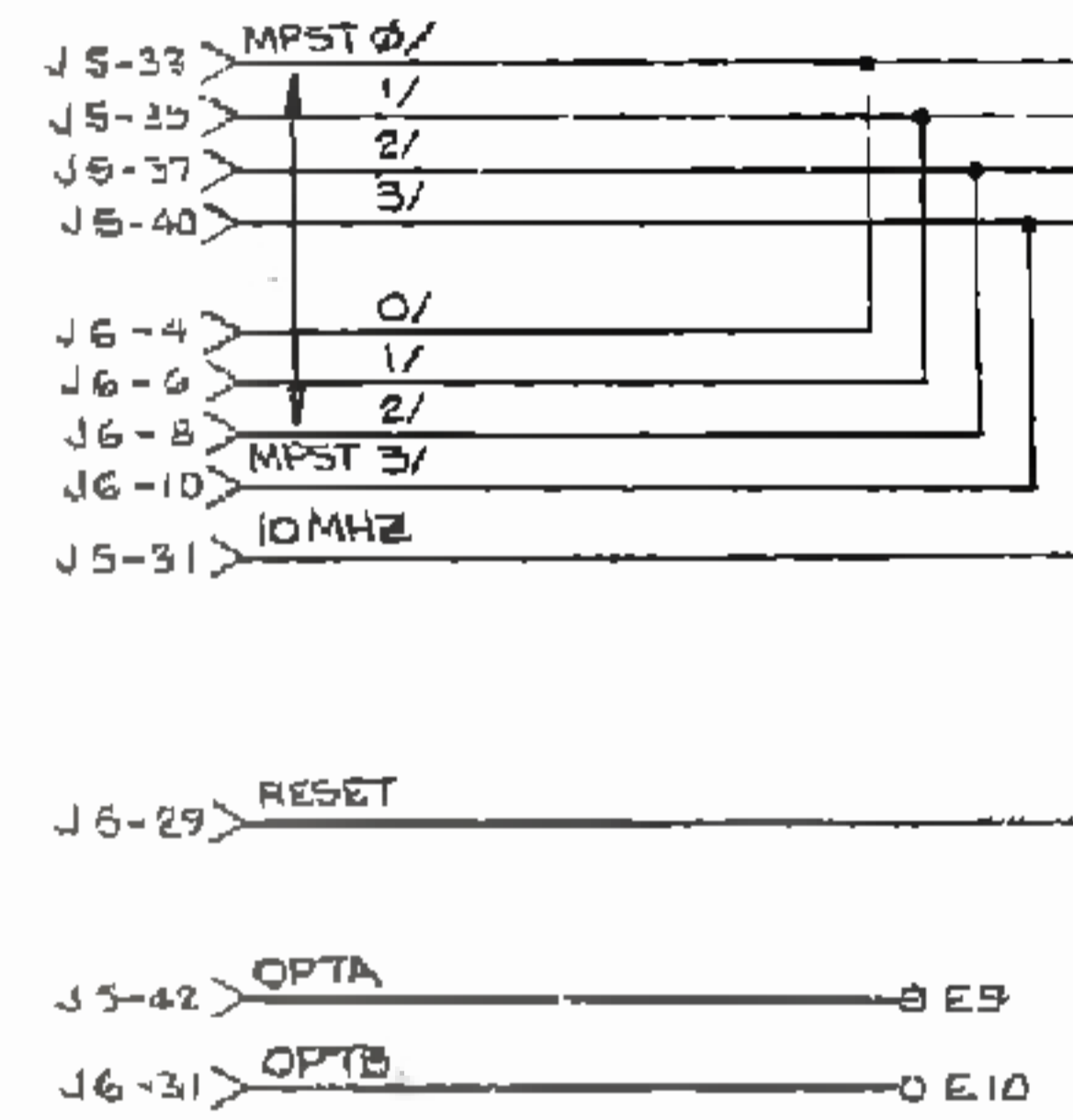
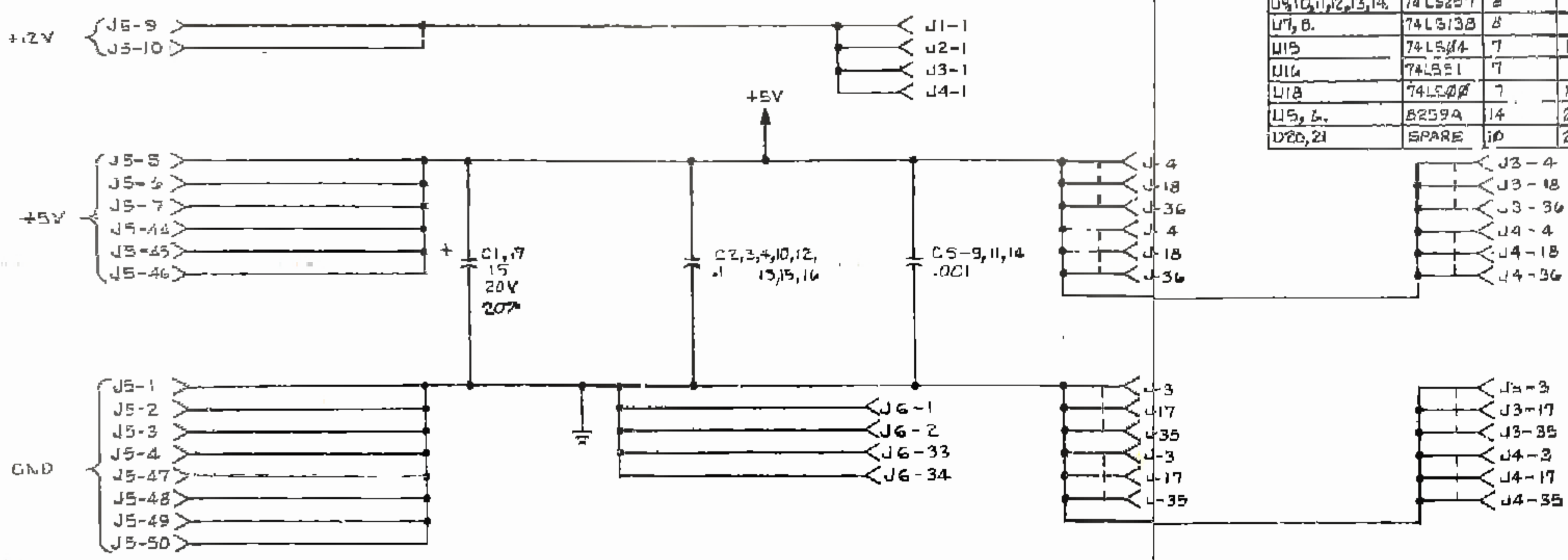


ALL DIMENSIONS UNLESS OTHERWISE SPECIFIED
SHOWN ON THIS DRAWING ARE IN INCHES
DIMENSIONS OF COMPONENTS ARE THE
FACTORY DIMENSIONS UNLESS OTHERWISE SPECIFIED
BY THE MANUFACTURER'S DRAWINGS OR
OTHER SPECIFICATIONS

POWER & GROUND LOCATOR CHART				
REFERENCE DESIGNATOR	DEVICE TYPE	GROUND	POWER PINS -5V	+12V
U19	74LS14	7	14	
U17, U22	74LS21	7	14	
U1, 2, 3, 4	74LS245	10	7	
U9, 10, 11, 12, 13, 14	74LS257	8	16	
U7, 8	74LS138	8	16	
U15	74LS14	7	14	
U16	74LS21	7	14	
U18	74LS00	7	14	
U15, 6	8259A	14	20	
U20, 21	SPARE	10	20	

REVISIONS						
REV	DESCRIPTION	QTY	DATE	CHK	DATE	APVD
A	ECO 14-0879	2R	12-2-82	John Deane	12-2-82	D.C.



ESZ
14 JAN 83

NOTES: UNLESS OTHERWISE SPECIFIED.
1. CAPACITANCE VALUES ARE IN MICROFARADS, +90%, -20%, 50V.
2. RESISTANCE VALUES ARE IN OHMS, 1/4 WATT, 5%.

TYPE	REF DESG	QTY	LA USED	NOT USED
74LS00	U18	2		
74LS14	U19	1		
SPARE GATES			U17, 21	

E10	U16	U17	U18	U19	U20, 21

QUANTITY PER DASH NO.	ITEM NO.	DESCRIPTION

SIGNATURE	DATE	<p>3065 BOWERS AVE SANTA CLARA CALIF. 95051</p>
CHK BY	DATE	
TERM APVD	DATE	
APVD	DATE	
TITLE		SCHEMATIC, MULTIMODULE ADAPTER
SCALE	NONES	SHEET 1 OF 4

SIZE	DATE	REV
D 14 01	103378	A

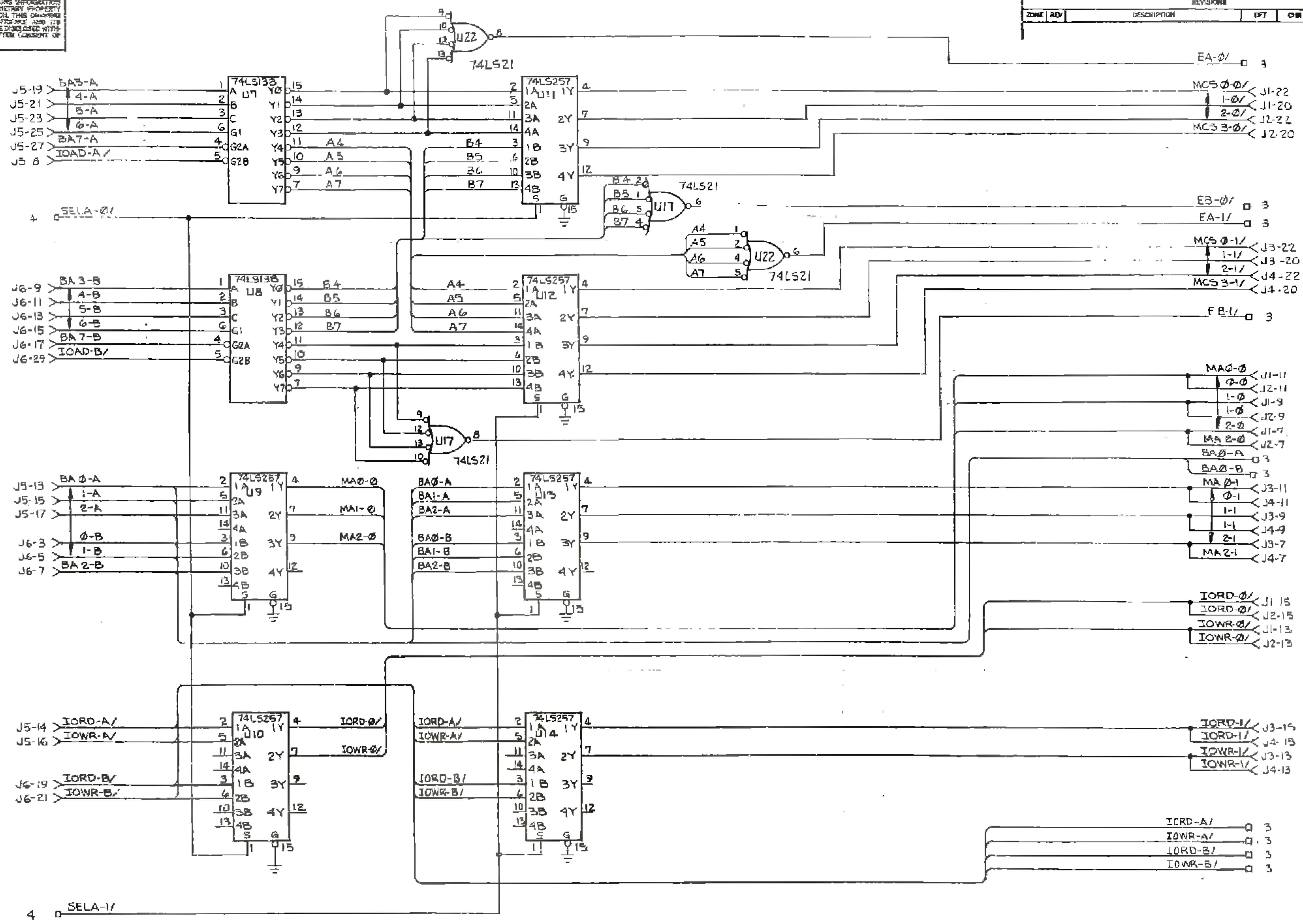
UNLESS OTHERWISE SPECIFIED, DIMENSIONS ARE IN INCHES. DRAWING IS UNLESS OTHERWISE SPECIFIED. DIMENSIONS ARE IN INCHES. DIMENSIONS ARE IN INCHES. DIMENSIONS ARE IN INCHES.

THIS DRAWING CONTAINS INFORMATION WHICH IS THE PROPRIETARY PROPERTY OF INTEL CORPORATION. THIS DRAWING IS LOANED TO YOU IN CONFIDENCE AND ITS CONTENTS MAY NOT BE DISCLOSED WITHOUT THE WRITTEN CONSENT OF INTEL CORPORATION.

DATE NO. 163378

REVISIONS				
ZONE	REV	DESCRIPTION	EFT	DATE

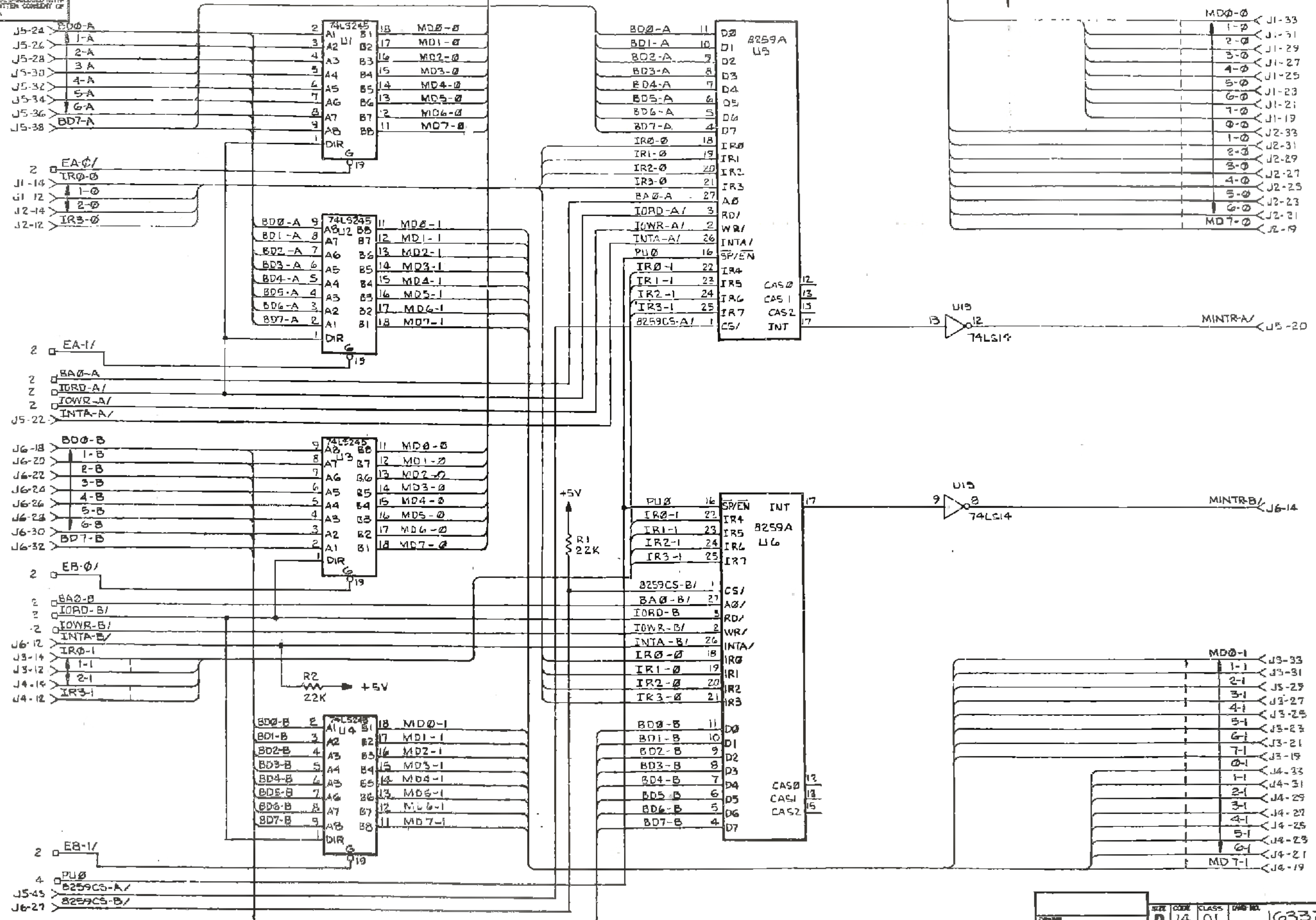
D
C
B
A



DESIGN	SIZE	CODE	CLASS	DATE NO.	REV
	D	14	01	163378	A

THIS DRAWING CONTAINS INFORMATION WHICH IS THE PROPRIETARY PROPERTY OF INTEL CORPORATION. THE DRAWING IS RELEASED TO CONTRACTORS AND ITS CONTENTS MAY NOT BE DISCLOSED WITHOUT THE PRIOR WRITTEN CONSENT OF INTEL CORPORATION.

ZONE	REV	DESCRIPTION	DTY	CHK	DATE	APPROVED



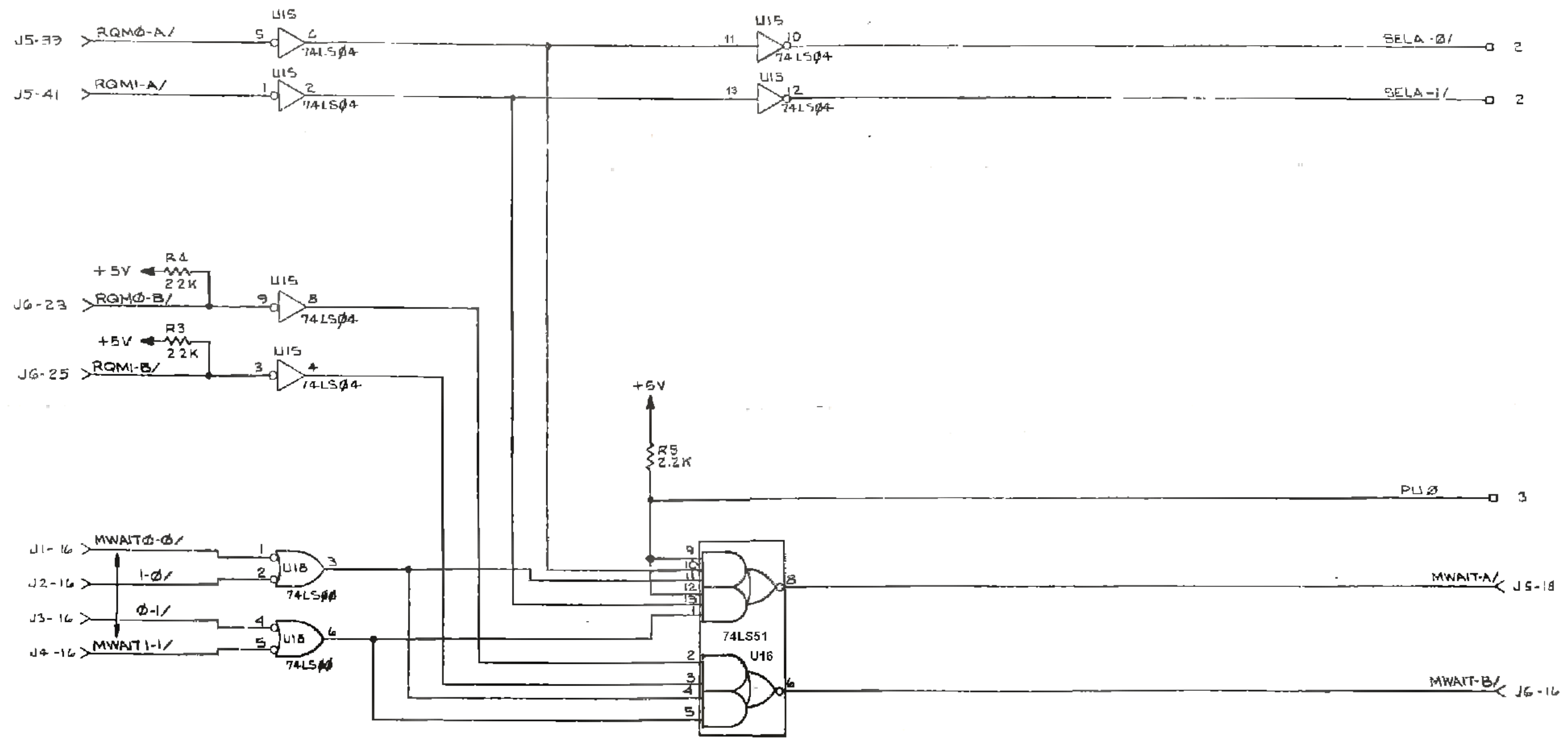
MD0-0	J1-33
1-0	J1-33
2-0	J1-31
3-0	J1-29
4-0	J1-27
5-0	J1-25
6-0	J1-23
7-0	J1-21
0-0	J1-19
1-0	J2-33
2-0	J2-31
3-0	J2-29
4-0	J2-27
5-0	J2-25
6-0	J2-23
7-0	J2-21
MD7-0	J2-19

MD0-1	J3-33
1-1	J3-33
2-1	J3-31
3-1	J3-29
4-1	J3-27
5-1	J3-25
6-1	J3-23
7-1	J3-21
0-1	J3-19
1-1	J4-33
2-1	J4-31
3-1	J4-29
4-1	J4-27
5-1	J4-25
6-1	J4-23
7-1	J4-21
MD7-1	J4-19

THIS DRAWING CONTAINS INFORMATION WHICH IS THE PROPRIETARY PROPERTY OF INTEL CORPORATION. THIS DRAWING IS RECEIVED IN CONFIDENCE AND ITS CONTENTS MAY NOT BE DISCLOSED WITHOUT THE PRIOR WRITTEN CONSENT OF INTEL CORPORATION.

DWG NO. 163378

REV		DESCRIPTION	DFT	CHK	DATE	APPROVED
EDNE	REV					



DRWING	SCALE	SPE	QMS	CLASS	DWG NO.	REV
ISSUED		D	14	01	163378	A