

**iUP-F27/128  
PERSONALITY MODULE  
USER'S GUIDE**

Order Number: 162848-001

Copyright © 1982 Intel Corporation

Intel Corporation, 3065 Bowers Avenue, Santa Clara, California 95051

**CAUTION**

This equipment generates, uses, and can radiate radio frequency energy and is intended to be used in accordance with the instruction manual for such equipment. It has been tested and found to comply with the requirements for a Class B Computing Device pursuant to Subpart J of Part 15 of the FCC Rules, which provide reasonable protection against such interference in a residential environment. Operation of this equipment in a residential environment in which case the user, at his own expense, will be required to take any measures required to correct the interference.

Additional copies of this manual or other Intel literature may be obtained from:

Literature Department  
Intel Corporation  
3065 Bowers Avenue  
Santa Clara, CA 95051

The information in this document is subject to change without notice.

Intel Corporation makes no warranty of any kind with regard to the use of the information contained herein. Intel Corporation assumes no responsibility for any errors that may appear in this document. Intel Corporation makes no commitment to update nor to keep this document.

Intel Corporation assumes no responsibility for the use of the information embodied in an Intel product. No other circuit patent licenses are granted by Intel Corporation.

Intel software products are copyrighted by Intel Corporation and shall remain the property of Intel Corporation. Use, duplication or disclosure is subject to restrictions stated in the license defined in ASPR 7-104.9(a)(9).

No part of this document may be copied or reproduced in any form without the prior written consent of Intel Corporation.

The following are trademarks of Intel Corporation and its subsidiaries. They identify Intel products:

- |        |             |             |
|--------|-------------|-------------|
| BXP    | Intel       | ISBX        |
| CREDIT | Intel       | Library Man |
| I      | Intelevison | MCS         |
| ICE    | Intellec    | Megachassi  |
| ICS    | IOSP        | Micromainfr |
| Im     | IRMX        | Mircromap   |
| IMMX   | ISBC        | Multibus    |
| Insite | IPDS        |             |

REV	REVISION HISTORY	DATE
-001	Original Issue	2/82





## PREFACE

The iUP-F27/128 Personality Module is one of a series of modules used to adapt the Intel iUP200/201 PROM Programmer to a particular family of PROM devices. The Personality Module cannot be used alone. Related information on the use of the Personality Module can be found in the following publications.

- *iUP-200/201 Universal Programmer User's Guide*, Order Number: 162613

This publication is a comprehensive user's guide for one of the compatible hosts.

- *Intel Component Data Catalog* (current edition), Order Number: varies

This catalog is the comprehensive catalog of Intel components with their technical specifications.



## SERVICE INFORMATION

United States customers can obtain service and repair assistance from Intel Corporation by contacting the Intel Product Service Hotline in Phoenix, Arizona. Customers outside the United States should contact their sales source (Intel Sales Office or Authorized Distributor) for service information and repair assistance.

Before calling the Product Service Hotline, have the following information available:

1. Date the product was received.
2. Complete part number of the product (including dash number). On boards, this number is usually silk-screened onto the board. On other products, it is usually stamped on a label.
3. Serial number of product. On boards, this number is usually stamped on the board. On other products, the serial number is usually stamped on a label.
4. Shipping and billing address.
5. If the Intel Product warranty has expired, a purchase order number for billing purposes must be provided.
6. Make sure to advise the Hotline personnel if an extended warranty agreement is in effect.

Use the following numbers for contacting the Intel Product Service Hotline:

**Telephone:**

All U.S. locations (except Alaska, Arizona, and Hawaii):  
(800) 528-0595

All other locations:  
(602) 869-4600

**TWX Number:**

910 - 951 - 1330

Always contact the Product Service Hotline before returning a product to Intel for repair. The Hotline personnel will provide a repair authorization number, shipping instructions, and other important information which enable fast, efficient service. If the product is being returned because of damage sustained during shipment or if the product is out of warranty, a purchase order is required before Intel can initiate the repair.



## CONTENTS

	PAGE
General Description .....	1
Applicable PROM Devices .....	1
iUP-F27/128 Indicators .....	2
Unpacking and Inspection .....	3
Installation in the Universal Programmer .....	3
PROM Device Installation .....	5



## ILLUSTRATIONS

FIGURE	TITLE	PAGE
Figure 1.	iUP F-27/128 Personality Module .....	1
Figure 2.	iUP F-27/128 Personality Module Indicators .....	2
Figure 3.	Installation in the Universal Programmer .....	4
Figure 4.	PROM Device Installation .....	6





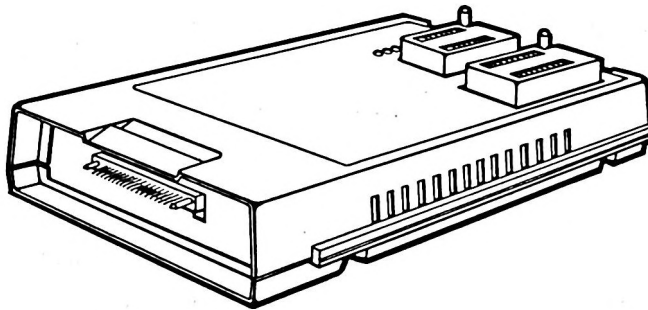


# iUP-F27/128 PERSONALITY MODULE

## GENERAL DESCRIPTION

The iUP-F27/128 Personality Module plugs into a compatible Intel PROM programmer and adapts it for programming a family of PROM devices. The iUP-F27/128 Personality Module is 7" (depth) x 5.5" (width) x 1.6" (height).

It contains two sockets for inserting applicable PROM devices: one for 24 pin PROM devices and the other for 28 pin PROM devices. Only one socket can be used at a time. An LED below the socket indicates the correct socket to use based on the PROM device type that is selected.



0150

Figure 1. iUP-F27/128 Personality Module

## APPLICABLE PROM DEVICES

The iUP-F27/128 Personality Module supports the following PROM devices:

2716	24 pin
2732	24 pin
2732A	24 pin
2758	24 pin
2758S	24 pin
2764	28 pin
27128	28 pin
2815	24 pin
2816	24 pin

## iUP-F27/128 Personality Module

The Module also supports reading the ROM version of the applicable PROM devices. All of these devices have an unprogrammed (or blank) state of logic 1. Refer to the *Intel Component Data Catalog* for detailed technical information on programming these devices.

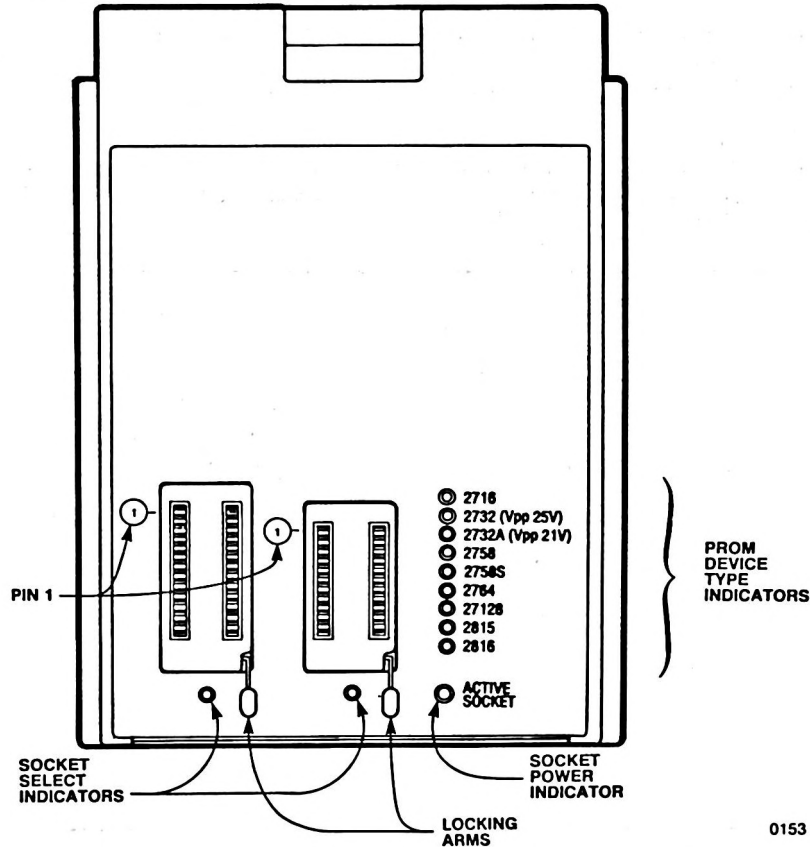


Figure 2. iUP-F27/128 Personality Module Indicators

## iUP-F27/128 INDICATORS

A row of green LEDs on the right side of the Personality Module indicate which PROM type is selected (see Figure 2). LEDs below the sockets indicate the socket in which the selected PROM type should be inserted.

### CAUTION

Use only the selected socket (as determined by the indicator light) for the PROM device installation. If a PROM device is installed in an unselected socket, the PROM device can be damaged.

The ACTIVE SOCKET LED indicates when power is being applied to the PROM device and when the host PROM programmer is accessing the selected socket.

After entering the type of PROM to be programmed or read, using either the on-line TYPE command or the off-line DEVICE SELECT key, an LED indicator lights next to the appropriate PROM device type printed on the personality module front panel. Also, an LED indicator lights below the appropriate socket to be used for the selected device type.

## **UNPACKING AND INSPECTION**

Inspect the shipping carton immediately upon receipt for evidence of mishandling during transit. If the shipping carton is severely damaged or waterstained, request that the carrier's agent be present when the carton is opened. If the carrier's agent is not present when the carton is opened and the contents of the carton are damaged, keep the carton and packing material for the agent's inspection.

For repairs to a product damaged in shipment, contact the Intel Technical Support Center as described below in the section on "Service and Repair Assistance."

It is recommended that, if they are in good condition, the shipping carton and packing material be saved to store and ship the product.

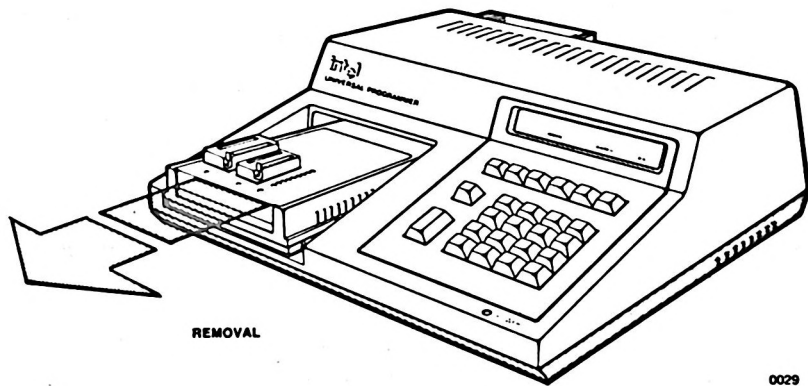
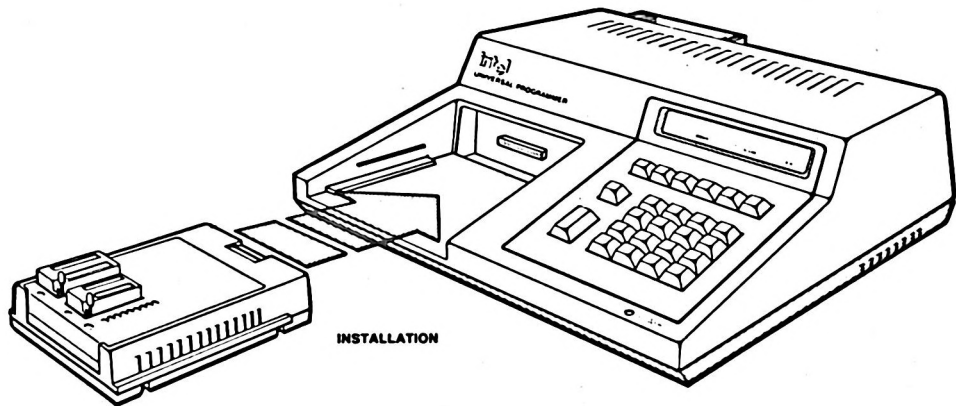
The Personality Module is shipped fully assembled as a single unit. Remove the unit from the carton. It is now ready for installation as described in the section on "Personality Module Installation."

## **INSTALLATION IN THE UNIVERSAL PROGRAMMER**

The Personality Module plugs into the front-panel connector of the Universal Programmer (see Figure 3). No further connection is required. During installation and removal of the Personality Module, the main power switch can be either on or off.

### **NOTE**

Before installing the Personality Module, be sure that it supports the PROM device type to be programmed or read.



0029

---

Figure 3. Installation in the Universal Programmer

## PROM DEVICE INSTALLATION

Insert the PROM to be programmed or read as follows:

### CAUTION

Do not switch the Universal Programmer's power on or off when a PROM device is installed in a socket of the Personality Module. Damage to the PROM device could result.

*Do not power on the system until you have read the Powering On section in Chapter 2 of the iUP-200/201 User's Guide.*

1. If the Universal Programmer is not already powered on, switch on the power switch and wait for the initialization procedure to be completed.
2. Set the Universal Programmer for the PROM type to be programmed or read, using either the TYPE command (during on-line operation) or the DEVICE SELECT key (during off-line operation). LEDs next to the PROM designations on the Personality Module indicate the PROM type selected.
3. Raise the socket locking arm on the selected socket (see Figure 4).

### CAUTION

Do not install a PROM or leave one installed in an unselected socket. Damage to the PROM device can result.

4. Insert the device to be programmed into the socket with pin 1 of the device going into the socket pin hole at the upper left corner of the socket.

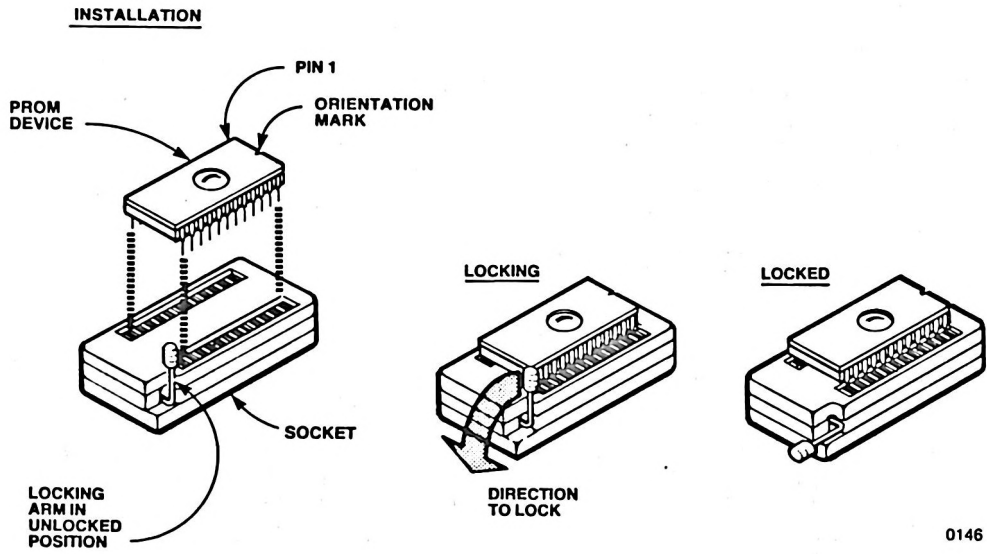
### CAUTION

The orientation mark on one end of the device must be toward the top of the socket. If a device is not oriented properly, it cannot be programmed and it may be damaged. When a device is oriented incorrectly, the error message "CHECK PROM INSTALLATION" may be displayed when the Universal Programmer attempts to access the device.

5. To secure the device in the socket, move the locking arm forward and down until it is parallel with the top of the Personality Module.

The PROM device is now ready for reading, programming, or verifying.

# iUP-F27/128 Personality Module



**Figure 4. PROM Device Installation**

## REQUEST FOR READER'S COMMENTS

Intel's Technical Publications Departments attempt to provide publications that meet the needs of all Intel product users. This form lets you participate directly in the publication process. Your comments will help us correct and improve our publications. Please take a few minutes to respond.

Please restrict your comments to the usability, accuracy, readability, organization, and completeness of this publication. If you have any comments on the product that this publication describes, please contact your Intel representative. If you wish to order publications, contact the Intel Literature Department (see page ii of this manual).

1. Please describe any errors you found in this publication (include page number).

---

---

---

---

2. Does the publication cover the information you expected or required? Please make suggestions for improvement.

---

---

---

---

3. Is this the right type of publication for your needs? Is it the right level? What other types of publications are needed?

---

---

---

---

4. Did you have any difficulty understanding descriptions or wording? Where?

---

---

---

---

5. Please rate this publication on a scale of 1 to 5 (5 being the best rating). \_\_\_\_\_

NAME \_\_\_\_\_ DATE \_\_\_\_\_

TITLE \_\_\_\_\_

COMPANY NAME/DEPARTMENT \_\_\_\_\_

ADDRESS \_\_\_\_\_

CITY \_\_\_\_\_ STATE \_\_\_\_\_ ZIP CODE \_\_\_\_\_

(COUNTRY)

Please check here if you require a written reply.

**WE'D LIKE YOUR COMMENTS ...**

This document is one of a series describing Intel products. Your comments on the back of this form will help us produce better manuals. Each reply will be carefully reviewed by the responsible person. All comments and suggestions become the property of Intel Corporation.



**NO POSTAGE  
NECESSARY  
IF MAILED  
IN U.S.A.**

**BUSINESS REPLY MAIL**

**FIRST CLASS PERMIT NO. 79 BEAVERTON, OR**

POSTAGE WILL BE PAID BY ADDRESSEE

**Intel Corporation  
5200 N.E. Elam Young Parkway.  
Hillsboro, Oregon 97123**

**DSHO Technical Publications**









**INTEL CORPORATION, 3065 Bowers Avenue, Santa Clara, California 95051 (408) 987-8080**  
Printed in U.S.A.