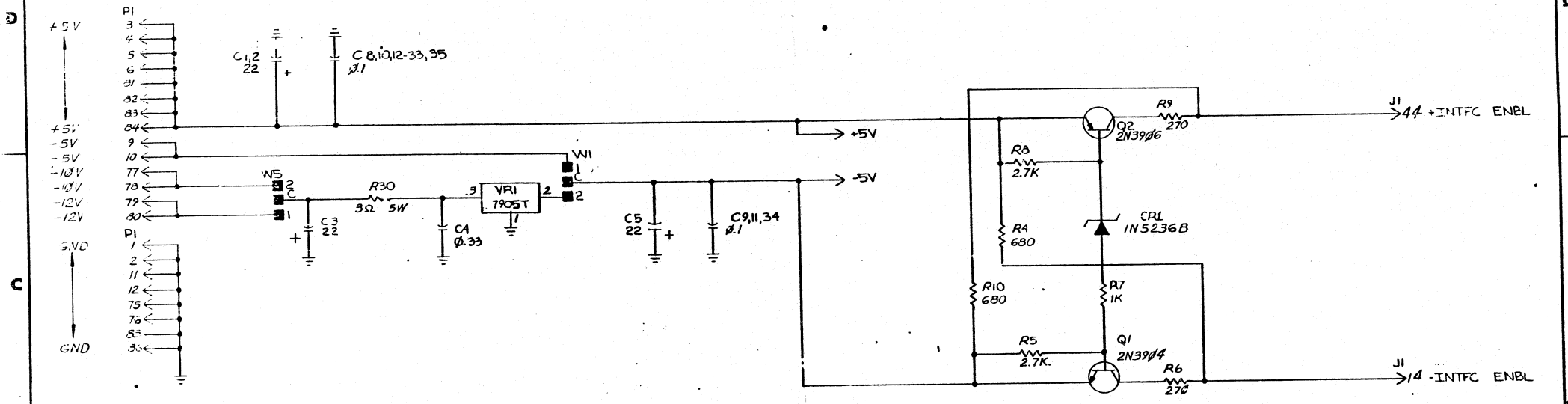


THIS DRAWING CONTAINS INFORMATION WHICH IS THE PROPRIETARY PROPERTY OF INTEL CORPORATION. THIS DRAWING IS RECEIVED IN CONFIDENCE AND ITS CONTENTS MAY NOT BE DISCLOSED WITHOUT THE WRITTEN CONSENT OF INTEL CORPORATION.

ZONE	REV	DESCRIPTION	DATE	APPROVED
A	ECO	40-2685	10-26-81	402



REF DESIG	POWER PINS		
	GND	+5	-5
U8-10, 14, 15, 24, 25	8	16	12
U 3-6, 11, 16	8	16	9
U12, 13, 17, 18, 23-31, 34, 40, 42-49, 58, 60, 62, 63, 66-75, 87, 88-101	7	14	
U1, 2, 7, 19, 20, 32, 33, 35-39, 41, 61, 65	8	16	
U59, 94-97	9	18	
U21-23, 26, 27, 50-57, 76-78, 80, 81, 85, 86, 88, 89, 90-93	10	20	
U64, 82, 83	12	24	
U79	1, 20	40	

NOTES: UNLESS OTHERWISE SPECIFIED:
 1. RESISTANCE VALUES ARE IN OHMS, 1/4W ±5%
 2. CAPACITANCE VALUES ARE IN MICROFARADS.

TYPE	REF DESIG	QTY	SPARE GATES
74LS02	U18	1, 13	
74LS32	U15	3, 11	
74LS32	U49	3	
74LS10	U70	12	
74LS04	U30	6	
74LS02	U62	3	
74LS02	U68	11	

Y1	W3
YR1	
U101	
S2	
RP29	
R30	R16
Q2	
J3	
CR2	
C35	

ITEM NO.	PART NUMBER	DESCRIPTION
162163	15PC 220	
162039	15PC 220	

QUANTITY PER DRAWING	ITEM NO.	PART NUMBER	DESCRIPTION
UNLESS OTHERWISE SPECIFIED:			
1. DIMENSIONS ARE IN INCHES.			
2. BREAK ALL SHARP EDGES.			
3. DO NOT SCALE DRAWING.			
4. TOLERANCES:			
ANGLES ± 0°			
X1 ± .005			
X2 ± .005			
SURFACE FINISH			

Intel

386 BOWEN AVE
SANTA CLARA
CALIF. 95051

TITLE: SCHEMATIC DIAGRAM - LSBC 220-SMD DISK CONTROLLER

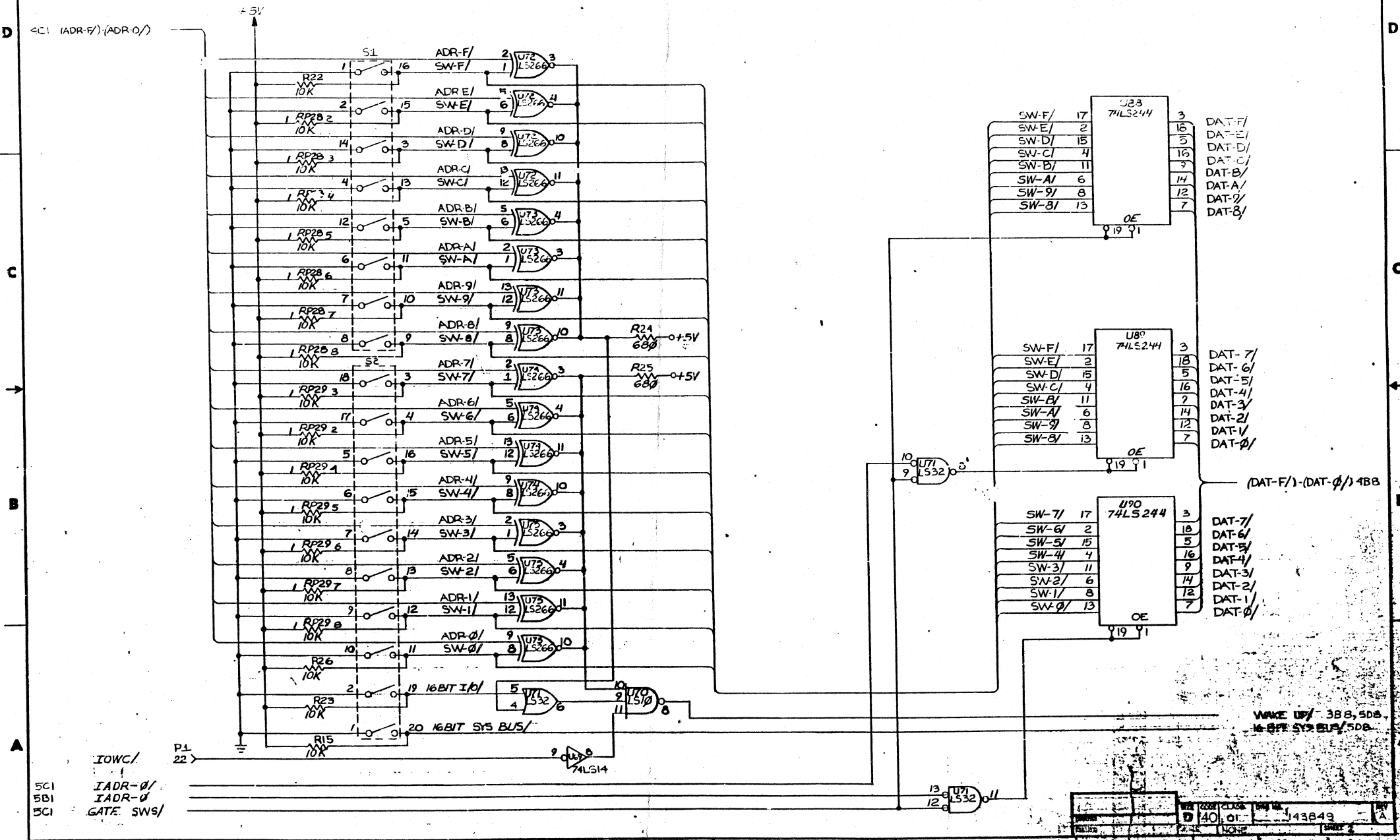
DATE: 10-26-81

SCALE: 1:1

SHEET 1 OF 12

THIS DRAWING CONTAINS INFORMATION WHICH IS THE PROPRIETARY PROPERTY OF INTEL CORPORATION. THIS DRAWING IS RECEIVED IN CONFIDENCE AND ITS CONTENTS MAY NOT BE DISCLOSED WITHOUT THE PRIOR WRITTEN CONSENT OF INTEL CORPORATION.

WORK NO.	143849	REV.	A
ZONE		DESCRIPTION	REVISED
DATE	CHK	DATE	APPROVED



IOWC/
 5C1 IADR-0/
 5B1 IADR-0/
 5C1 GATE SWs/

U88
 74LS244
 SW-F/ 17
 SW-E/ 2
 SW-D/ 15
 SW-C/ 4
 SW-B/ 11
 SW-A/ 6
 SW-9/ 8
 SW-8/ 13
 OE
 19 91
 DAT-F/
 DAT-E/
 DAT-D/
 DAT-C/
 DAT-B/
 DAT-A/
 DAT-9/
 DAT-8/

U89
 74LS244
 SW-F/ 17
 SW-E/ 2
 SW-D/ 15
 SW-C/ 4
 SW-B/ 11
 SW-A/ 6
 SW-9/ 8
 SW-8/ 13
 OE
 19 91
 DAT-7/
 DAT-6/
 DAT-5/
 DAT-4/
 DAT-3/
 DAT-2/
 DAT-1/
 DAT-0/

U90
 74LS244
 SW-7/ 17
 SW-6/ 2
 SW-5/ 15
 SW-4/ 4
 SW-3/ 11
 SW-2/ 6
 SW-1/ 8
 SW-0/ 13
 OE
 19 91
 DAT-7/
 DAT-6/
 DAT-5/
 DAT-4/
 DAT-3/
 DAT-2/
 DAT-1/
 DAT-0/

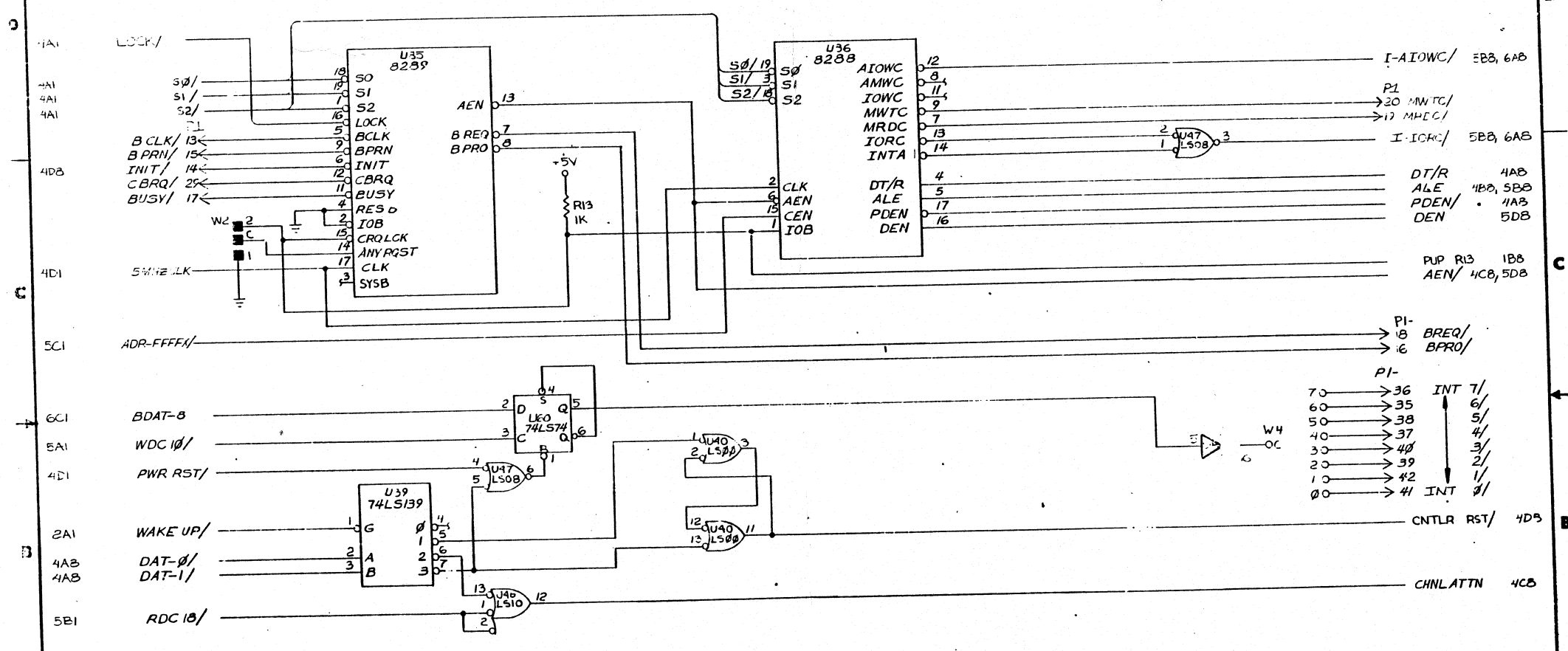
(DAT-F)-(DAT-0) 4B8

WAKE UP: 3B8, 5DB
 16-BIT SYS BUS/5DB

DATE	140	01	143849	REV.	A
DESIGNED				BY	
CHECKED				DATE	
APPROVED					

THIS DRAWING CONTAINS INFORMATION WHICH IS THE PROPRIETARY PROPERTY OF INTEL CORPORATION. THIS DRAWING IS REPRODUCED IN CONFIDENCE AND ITS CONTENTS MAY NOT BE DISCLOSED WITHOUT THE PRIOR WRITTEN CONSENT OF INTEL CORPORATION.

ZONE		REV	DESCRIPTION	REVISED	DFT	CHK	DATE	APPROVED
			SEE SHEET 1					

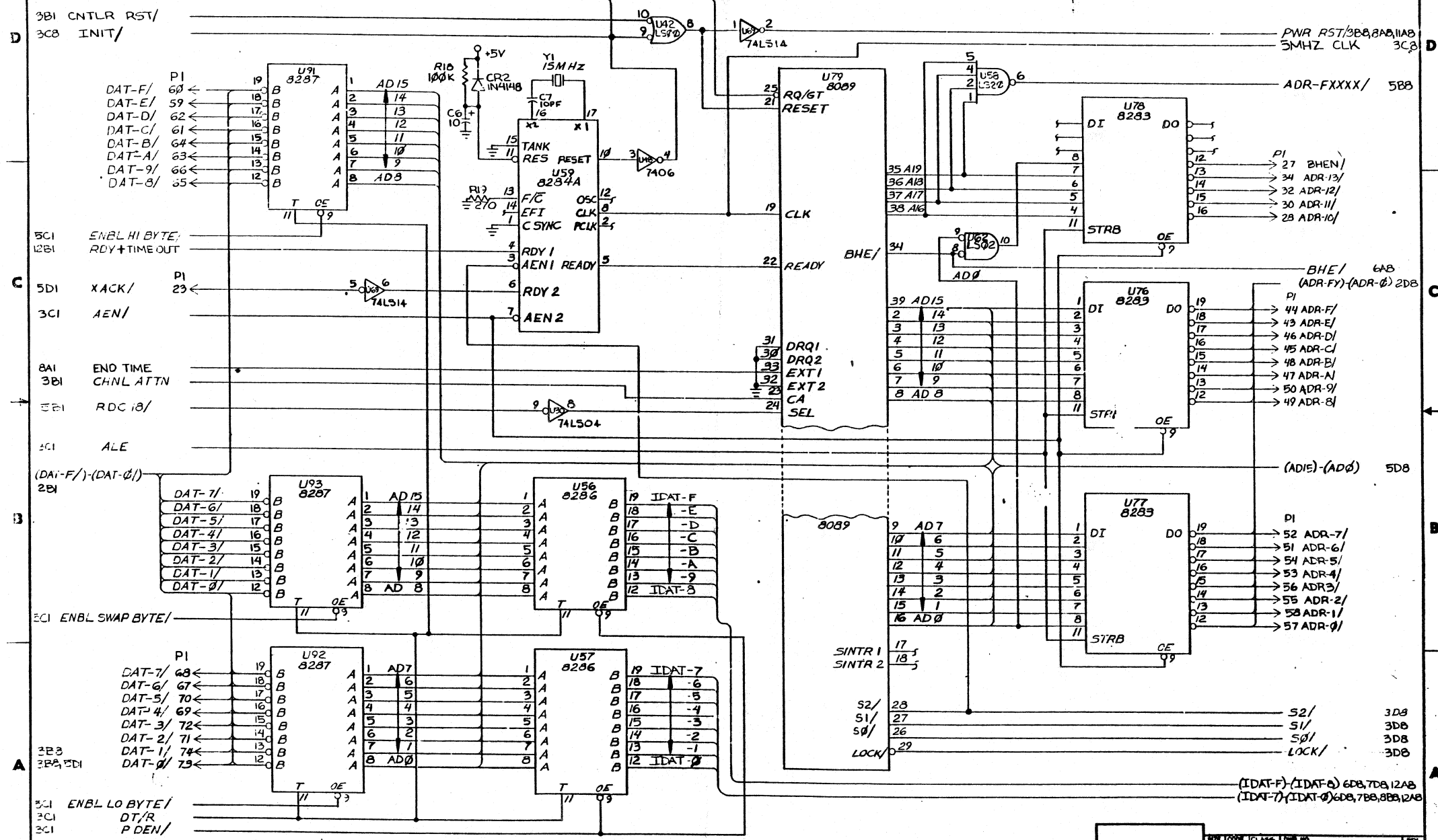


DRAWN	ISSUED	REV	CLASS	DATE	NO.
		D	40 01	143849	A

THIS DRAWING CONTAINS INFORMATION WHICH IS THE PROPRIETARY PROPERTY OF INTEL CORPORATION. THIS DRAWING IS MADE IN CONFIDENCE AND ITS CONTENTS ARE NOT TO BE DISCLOSED WITHOUT THE WRITTEN CONSENT OF INTEL CORPORATION.

UWG NO. 143849

ZONE	REV	DESCRIPTION	OFF	CHK	DATE	APPROVED
		SEE SHEET 1				



9300072

DRAWN	ACIGNETTI	REV	D	DATE	143849	REV	A
ISSUED		SCALE	NONE				

THIS DRAWING CONTAINS INFORMATION WHICH IS THE PROPRIETARY PROPERTY OF INTEL CORPORATION. THIS DRAWING IS PROVIDED IN CONFIDENCE AND ITS CONTENTS MAY NOT BE DISCLOSED WITHOUT THE PRIOR WRITTEN CONSENT OF INTEL CORPORATION.

2A1 16 BIT SYS BUS/
2A1 WAKE UP/
3C1 AEN/
3C1 DEN

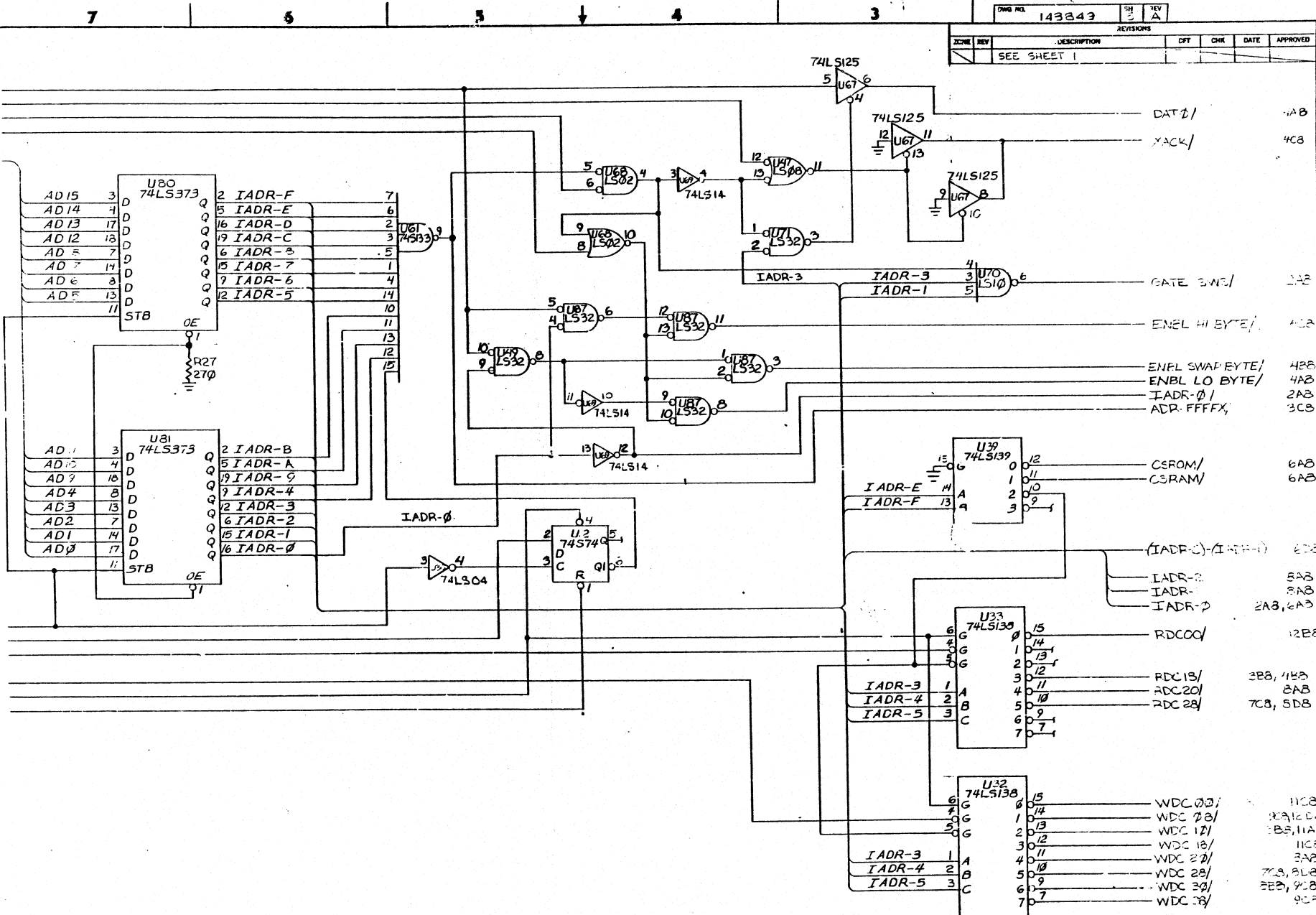
4B1 (AD15)-(AD0)

C

10 ALE
10 ADR-FXXXX/
11 I-IORC/

12 I-AIOVC/
10 PUP RP24
10C1 PUP R11

A



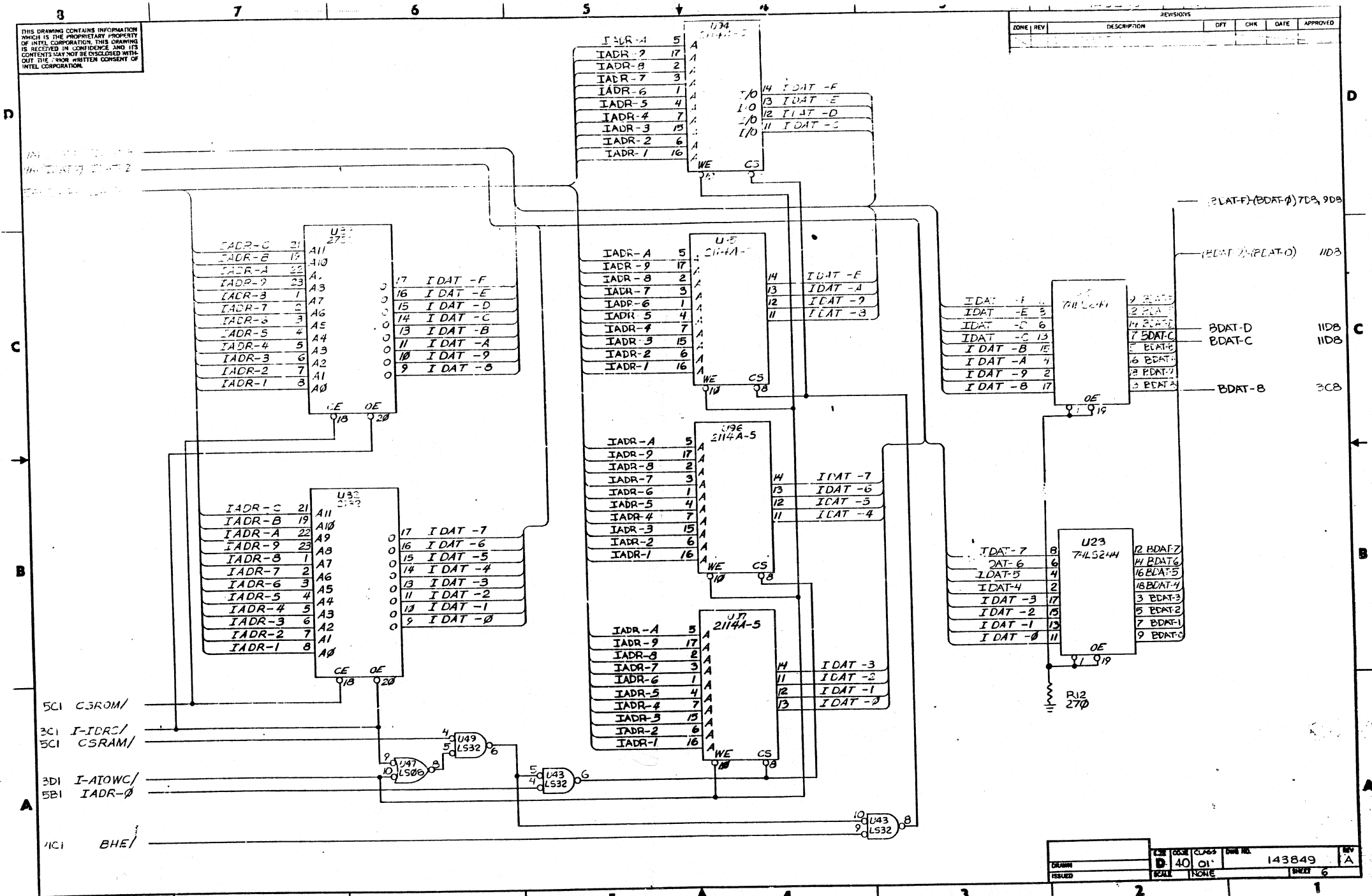
Dwg No. 143849		REV. A
REV.	DESCRIPTION	DATE
1	SEE SHEET 1	

12	DAT	4AB
11	YACK	4CB
6	GATE SWD	2AB
10	ENBL HI BYTE	4CB
11	ENBL SWAP BYTE	4BB
10	ENBL LO BYTE	4AB
9	IADR-0	2AB
8	ADR-FFFF	3CB
12	CSROM	6AB
11	CSRAM	6AB
10	(IADR-C)-(IADR-F)	6CB
9	IADR-3	5AB
8	IADR-4	5AB
7	IADR-5	2AB, 6AB
15	RDC00	12B8
14	RDC10	2BB, 4BB
13	RDC20	8AB
12	RDC20	7CB, 5DB
11	WDC00	11CB
10	WDC00	2A12CB
9	WDC10	3B, 11AB
8	WDC10	11CB
7	WDC10	3AB
6	WDC20	7CB, 81A
5	WDC20	2BB, 9CB
4	WDC20	9CB

ISSUED	SCALE	NAME	SHEET 5
DESIGNED	CODE	DWG NO.	REV.
A. CIGNETTI	D 40	01	143849
			A

THIS DRAWING CONTAINS INFORMATION WHICH IS THE PROPRIETARY PROPERTY OF INTEL CORPORATION. THIS DRAWING IS REPRODUCED IN CONFIDENCE AND ITS CONTENTS MAY NOT BE DISCLOSED WITHOUT THE PRIOR WRITTEN CONSENT OF INTEL CORPORATION.

REVISIONS						
ZONE	REV	DESCRIPTION	DFT	CHK	DATE	APPROVED



5C1 CSROM/
3C1 I-IDRC/
5C1 CSRAM/
3D1 I-ATOWC/
5B1 IADR-0
1C1 BHE

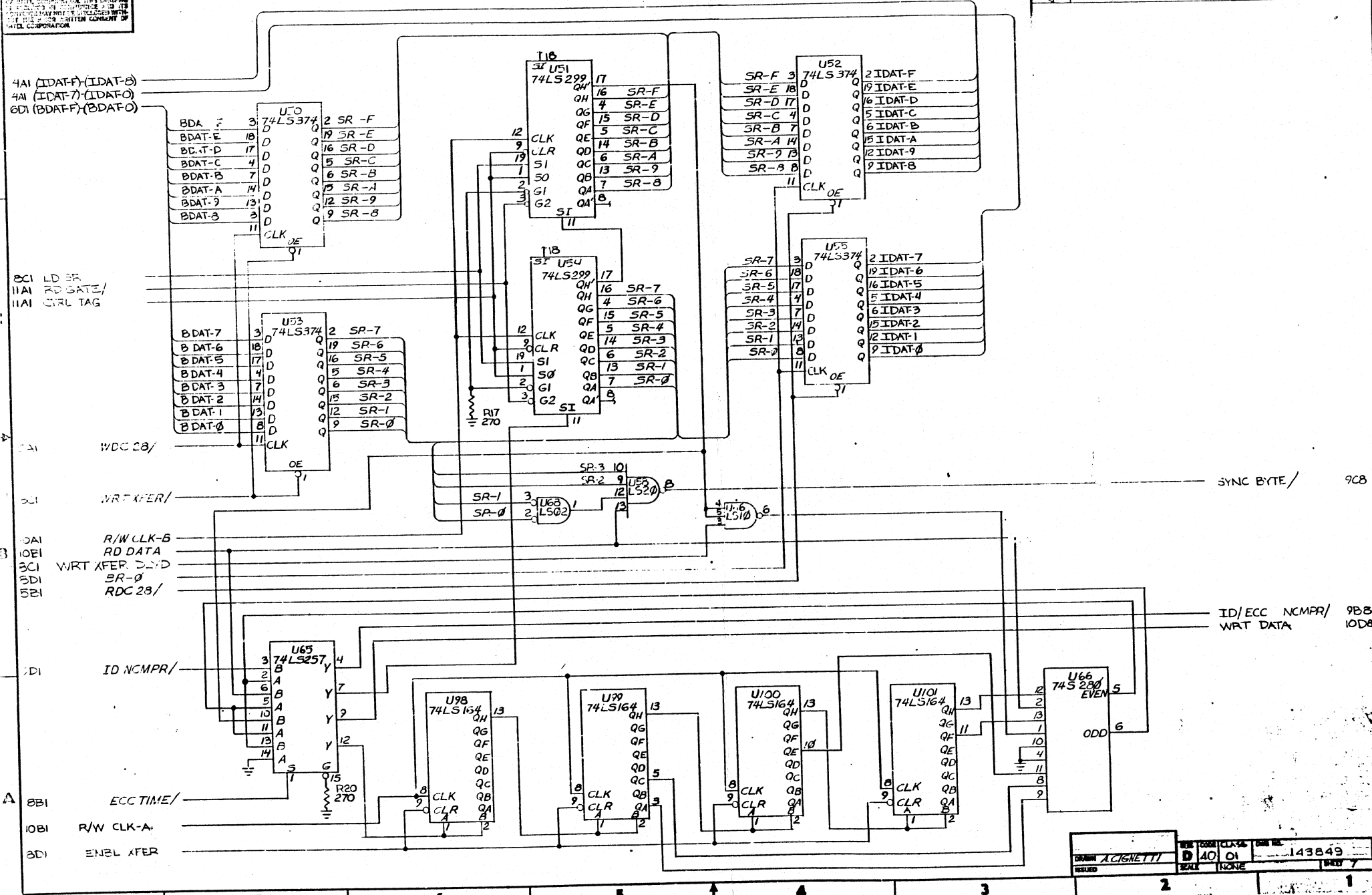
DRAWN	SCALE	CLASS	DWG. NO.	REV.
			143849	A
ISSUED	SCALE	NONE	SHEET	6

3

7

THIS DRAWING CONTAINS INFORMATION OF A CONFIDENTIAL NATURE AND IS TO BE CONTROLLED BY THE ISSUING OFFICE. IT IS TO BE KEPT SECRET AND NOT TO BE DISCLOSED OR REPRODUCED IN ANY MANNER WITHOUT THE WRITTEN CONSENT OF THE ISSUING OFFICE.

ZONE	REV	DESCRIPTION	DEF	CHK	DATE	APPROVED
		SEE SHEET 1				



7300022

8

7

6

5

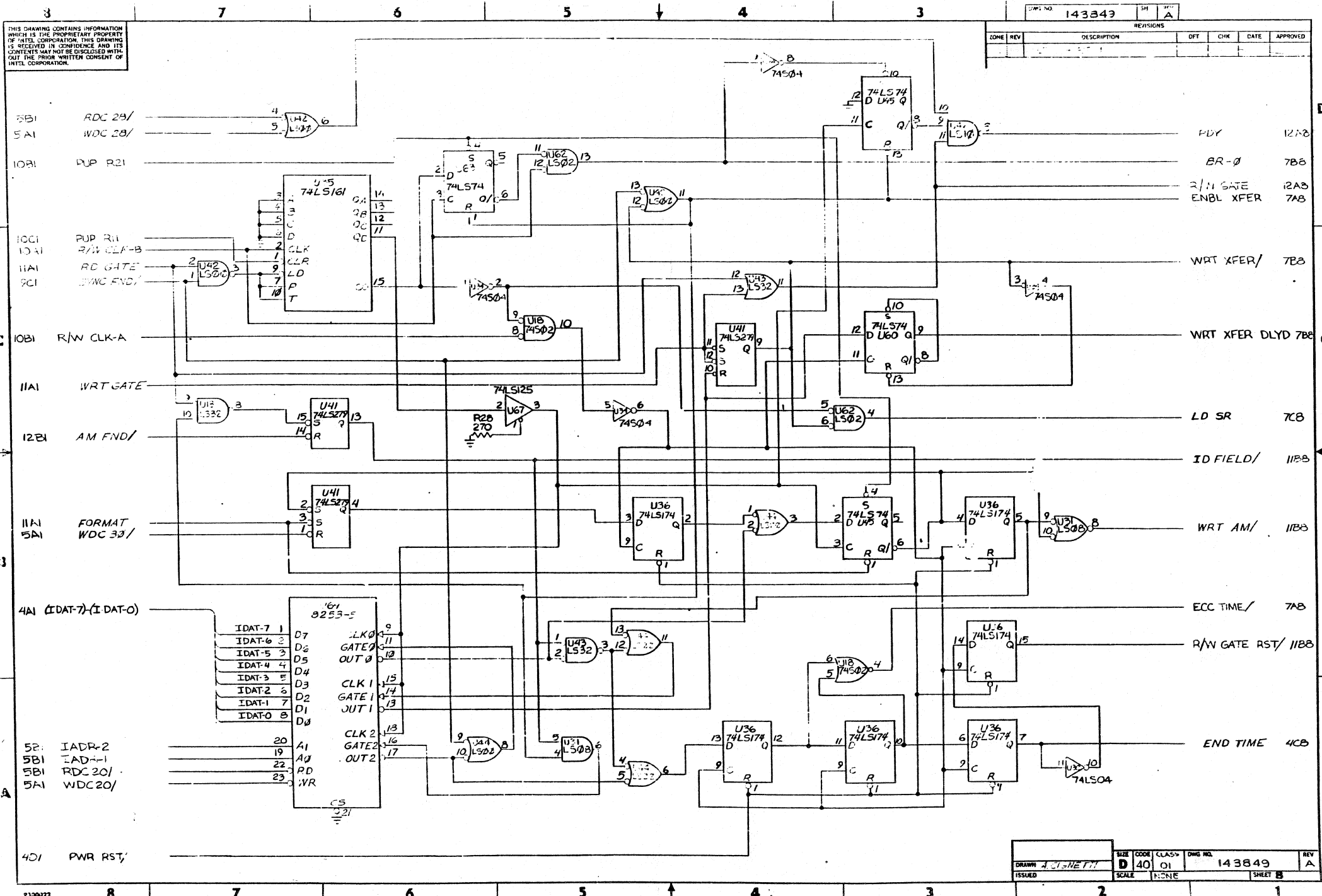
4

3

2

1

DESIGNER	ACIGNETTI	REV	D	ISSUED	SCALE	NONE	DATE	143849	APP	A
----------	-----------	-----	---	--------	-------	------	------	--------	-----	---



THIS DRAWING CONTAINS INFORMATION WHICH IS THE PROPRIETARY PROPERTY OF INTEL CORPORATION. THIS DRAWING IS RECEIVED IN CONFIDENCE AND ITS CONTENTS MAY NOT BE DISCLOSED WITHOUT THE PRIOR WRITTEN CONSENT OF INTEL CORPORATION.

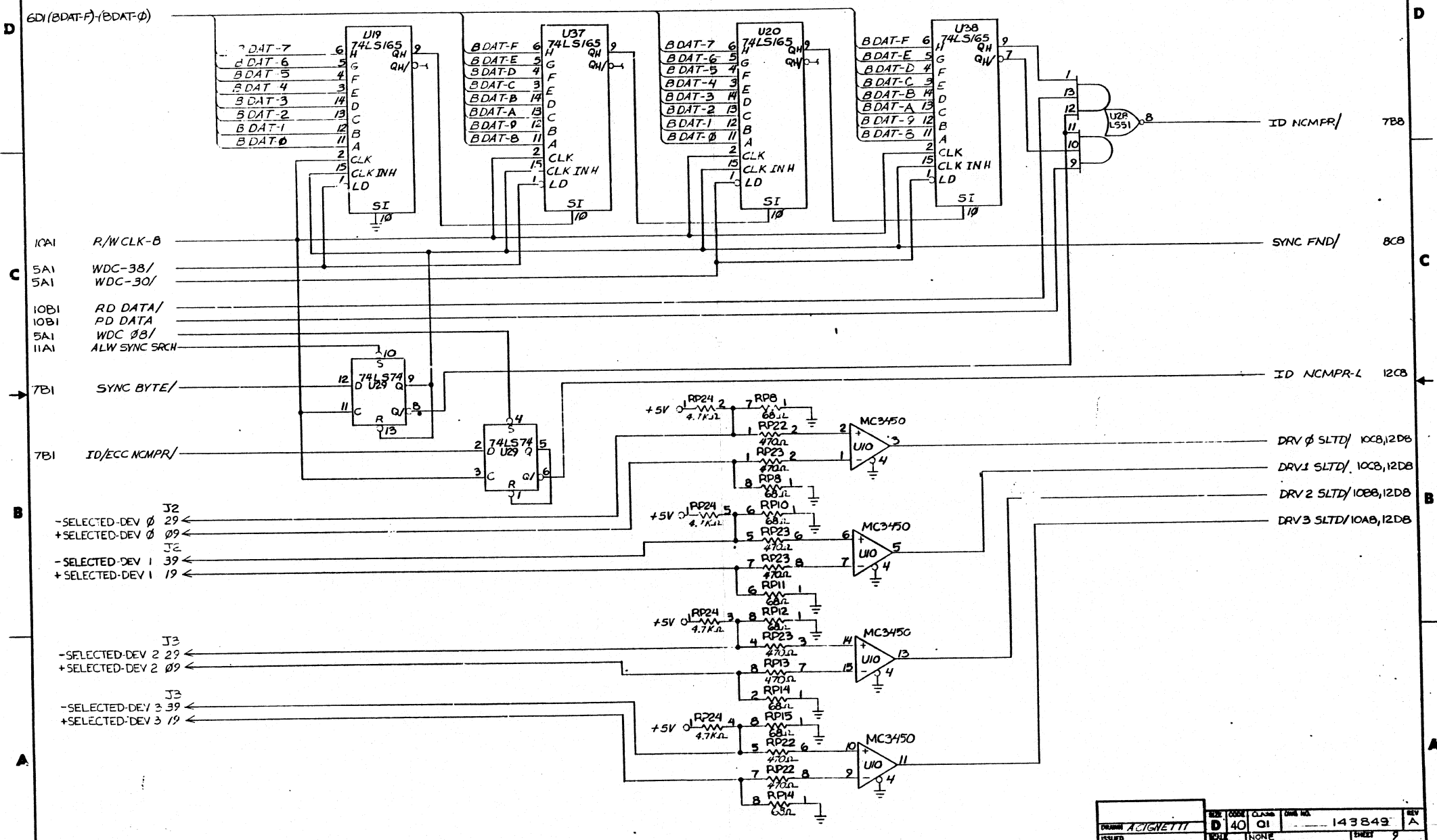
DRAWING NO. 143849		REV. A				
ZONE	REV	DESCRIPTION	DEF	CHK	DATE	APPROVED

DRAWN: J. G. NETT	SIZE: D	CODE: 40	CLASS: 01	DWG. NO.: 143849	REV: A
ISSUED:	SCALE: NONE	SHEET: B			

THIS DRAWING CONTAINS INFORMATION WHICH IS THE PROPRIETARY PROPERTY OF INTEL CORPORATION. THIS DRAWING IS TO BE USED IN CONNECTION WITH THE DESIGN AND CONSTRUCTION OF THE SYSTEMS DESCRIBED HEREIN AND IS NOT TO BE REPRODUCED OR TRANSMITTED IN ANY FORM OR BY ANY MEANS, ELECTRONIC OR MECHANICAL, INCLUDING PHOTOCOPYING, RECORDING, OR BY ANY INFORMATION STORAGE AND RETRIEVAL SYSTEM, WITHOUT THE WRITTEN CONSENT OF INTEL CORPORATION.

DWG NO. 143849 SH 2 REV A

ZONE	REV	DESCRIPTION	REVISIONS	DFT	CHK	DATE	APPROVED
		SEE SHEET 1					



10A1 R/WCLK-B
 5A1 WDC-38/
 5A1 WDC-30/
 10B1 RD DATA/
 10B1 PD DATA
 5A1 WDC 08/
 11A1 ALW SYNC SRCH

7B1 SYNC BYTE/
 7B1 ID/ECC NCMPR/

J2
 -SELECTED-DEV 0 29
 +SELECTED-DEV 0 09
 J2
 -SELECTED-DEV 1 39
 +SELECTED-DEV 1 19

J3
 -SELECTED-DEV 2 29
 +SELECTED-DEV 2 09

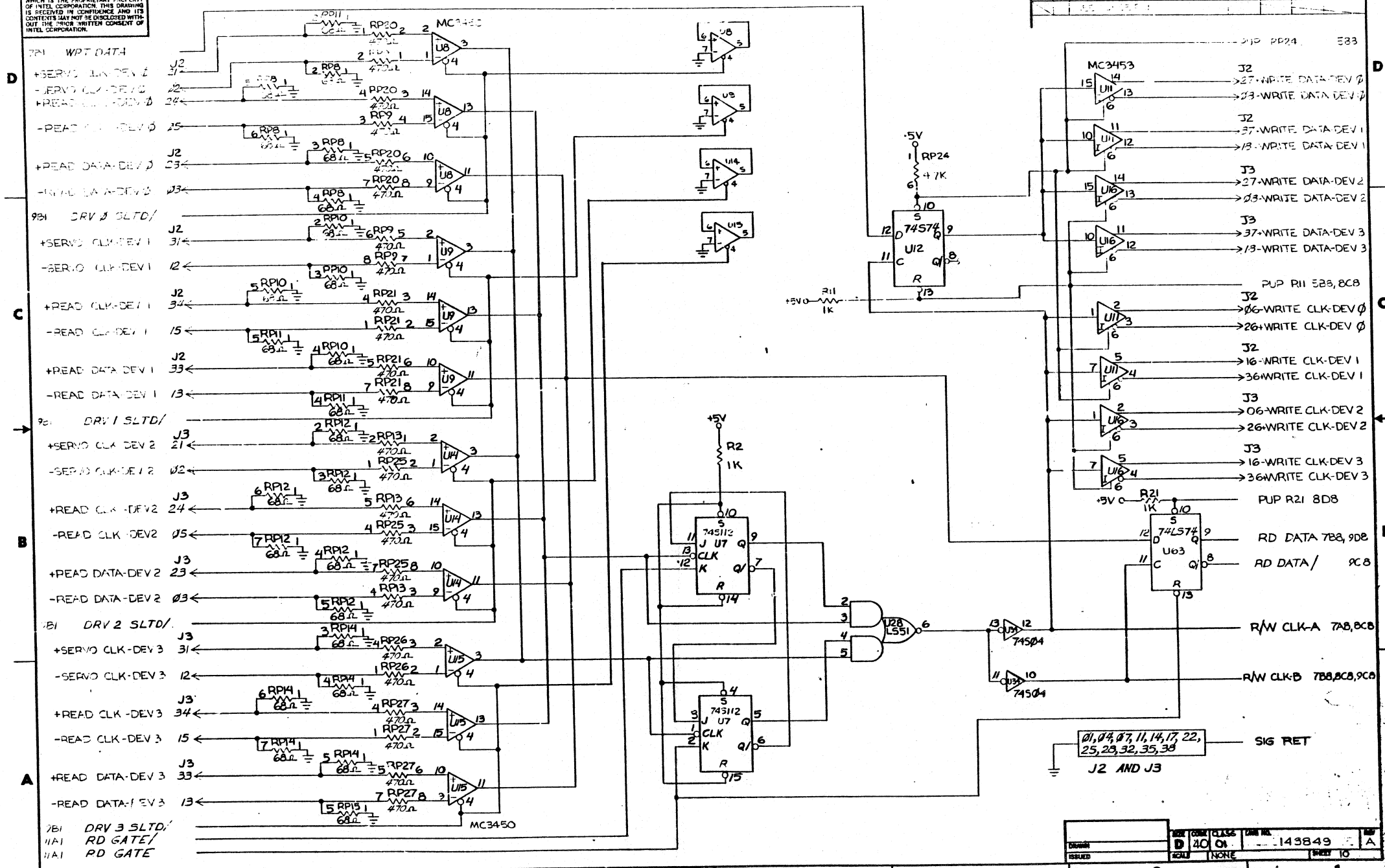
J3
 -SELECTED-DEV 3 39
 +SELECTED-DEV 3 19

DESIGNER ACIGNETTI	REV 40	CLASS Q1	DWG NO. 143849	REV A
ISSUED	SCALE	NONE	SHEET 9	

THIS DRAWING CONTAINS INFORMATION WHICH IS THE PROPRIETARY PROPERTY OF INTEL CORPORATION. THIS DRAWING IS RECEIVED IN CONFIDENCE AND ITS CONTENTS MAY NOT BE DISCLOSED WITHOUT THE PRIOR WRITTEN CONSENT OF INTEL CORPORATION.

143849

REVISIONS						
ZONE	REV	DESCRIPTION	DFT	CHK	DATE	APPROVED

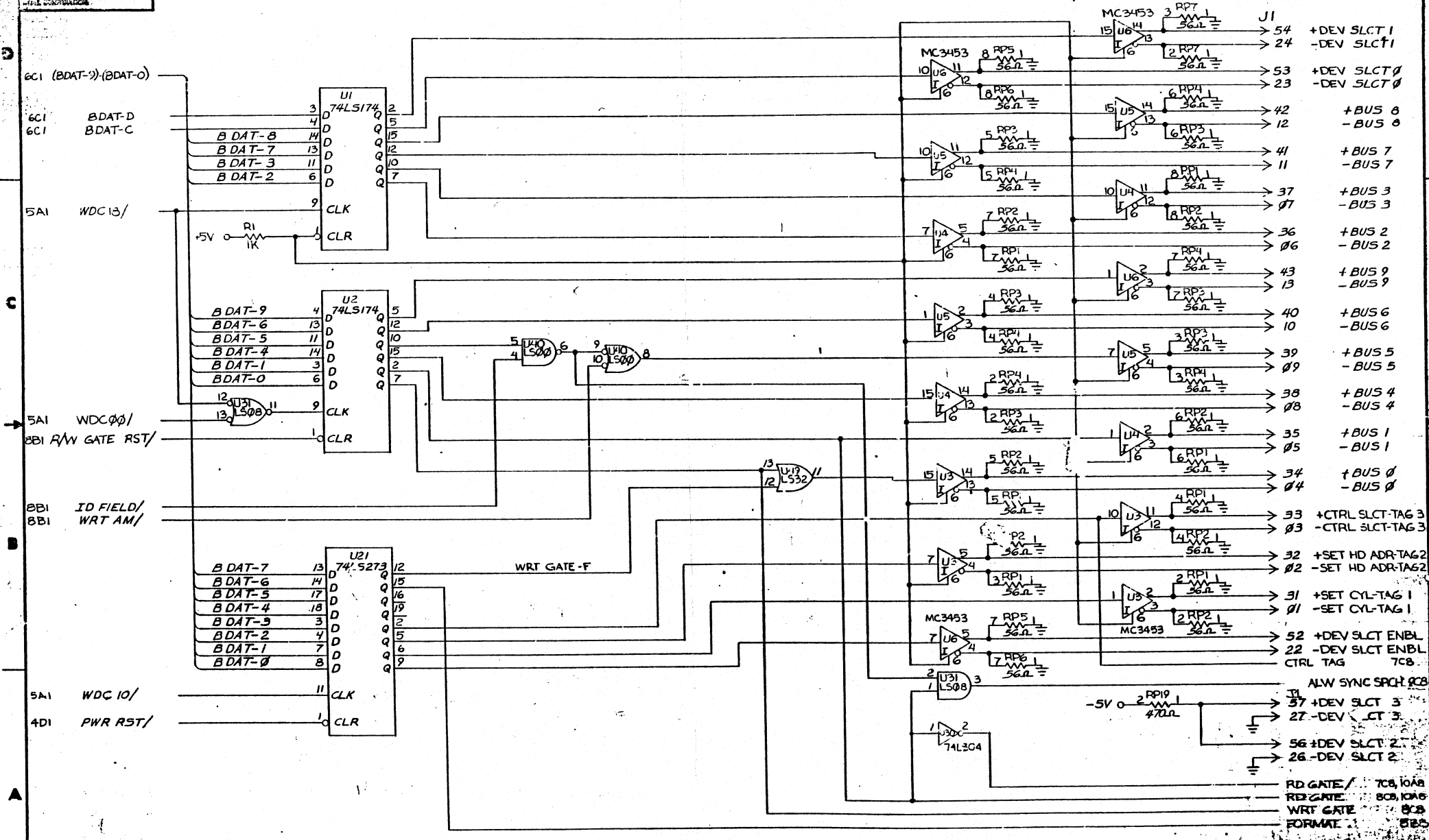


7B1 WPT DATA
 +SERVO CLK-DEV 1
 -SERVO CLK-DEV 1
 +READ CLK-DEV 1
 -READ CLK-DEV 1
 +READ DATA-DEV 1
 -READ DATA-DEV 1
 7B2 DRV 1 SLTD/
 +SERVO CLK-DEV 2
 -SERVO CLK-DEV 2
 +READ CLK-DEV 2
 -READ CLK-DEV 2
 +READ DATA-DEV 2
 -READ DATA-DEV 2
 7B3 DRV 2 SLTD/
 +SERVO CLK-DEV 3
 -SERVO CLK-DEV 3
 +READ CLK-DEV 3
 -READ CLK-DEV 3
 +READ DATA-DEV 3
 -READ DATA-DEV 3
 7B4 DRV 3 SLTD/
 +RD GATE/
 +RD GATE/

MC3453
 J2
 J2
 J2
 J3
 J3
 J3
 J2
 J2
 J3
 J3
 J3
 J2
 J2
 J3
 J3
 J3
 RD DATA 7B8, 9D8
 RD DATA / 9C8
 R/W CLK-A 7A8, 8C8
 R/W CLK-B 7B8, 8C8, 9C8
 SIG RET
 J2 AND J3

DESIGN	ISSUED	DATE	CLASS	DATE NO.	REV
				143849	A

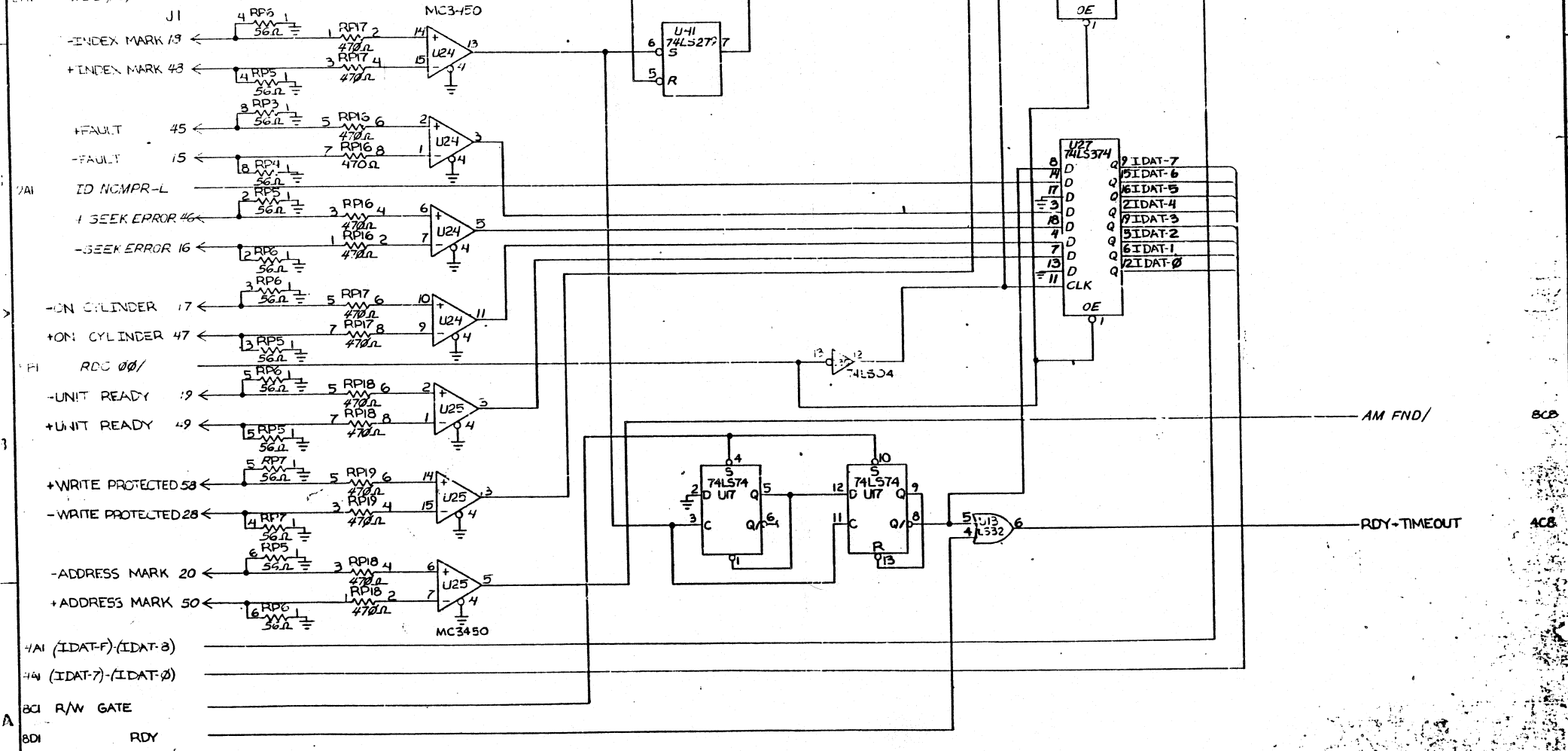
ZONE NO.	DESCRIPTION	DFT	CHK	DATE	APPROVED
SEE SHEET 1					



ZONE	REV	DESCRIPTION	DTG	CHK	DATE	INITIALS
		SEE SHEET 1				

THIS DRAWING IS THE PROPERTY OF INTEL CORPORATION. IT IS TO BE USED ONLY FOR THE PURPOSES SPECIFIED HEREIN. IT IS NOT TO BE REPRODUCED OR TRANSMITTED IN ANY FORM OR BY ANY MEANS, ELECTRONIC OR MECHANICAL, INCLUDING PHOTOCOPYING, RECORDING, OR BY ANY INFORMATION STORAGE AND RETRIEVAL SYSTEM, WITHOUT THE EXPRESS WRITTEN CONSENT OF INTEL CORPORATION.

9B1 DRV 3 SLT D/
 9B1 DRV 2 SLT D/
 9B1 DRV 1 SLT D/
 9B1 DRV 0 SLT D/
 8A1 WDC 03/



4A1 (IDAT-F)-(IDAT-8)
 4A1 (IDAT-7)-(IDAT-0)

8C1 R/W GATE
 8D1 RDY

DRAWN	DATE	CLASS	REV	143849	A
ISSUED	SCALE				