

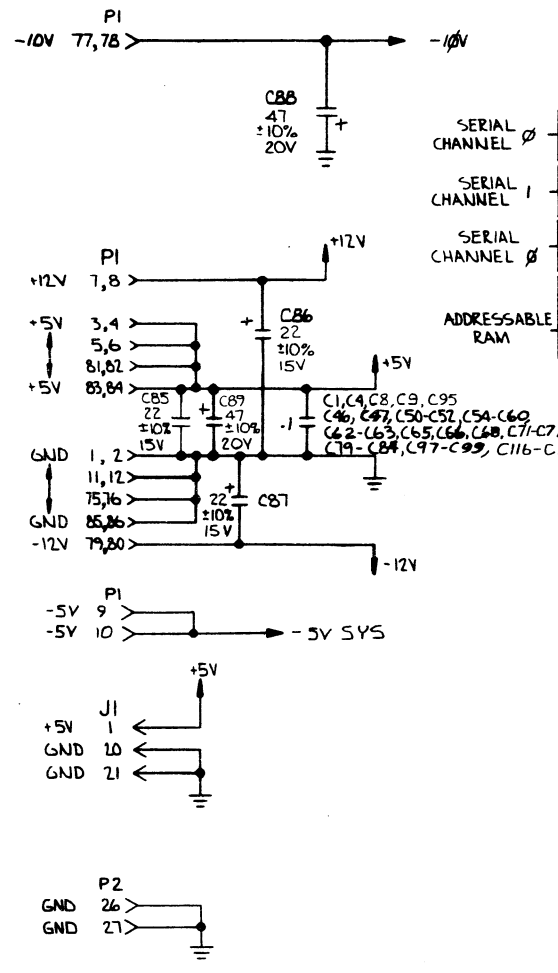
THIS DRAWING CONTAINS INFORMATION WHICH IS THE PROPRIETARY PROPERTY OF INTEL CORPORATION. THIS DRAWING IS RECEIVED IN CONFIDENCE AND ITS CONTENTS MAY NOT BE DISCLOSED WITHOUT THE PRIOR WRITTEN CONSENT OF INTEL CORPORATION.

ZONE	REV	DESCRIPTION	DFT	CHK	DATE	APPROVED
A	PROD	RL5E, ECO 13-7251	3-23-81		2-2-81	<i>[Signature]</i>

PWR & GND LOCATOR CHART						
REF DESIG	DEVICE TYPE	POWER PINS			SPARE GATES	
		GND	VCC	-3/-2/-1	REF DES	OUTPUT PINS
U0, 26, 44	74500	7	14		U44	8
U57					U57	3, 11
U8, U70, 21	74502				U21	10, 13
U29	74503					
U90, U12	74504				U12	12
U9, U39, U46	74504					
U15, U45	7406					
U38	74508					
U7	74LS08					
U25	74510				U25	6
U75	74LS20					
U113, U35						
U42, U48	74532					
U71	74LS32					
U36, U95	74537				U95	8
U74	7438					
U22	74LS74	7	14			
U85, U69	745112	8	16			
U37, U10	745138	8	16			
U3, U111	74-148	8	16			
U4	74LS157	8	16			
U77, U97	745240	10	20			
U103, U2	74LS240	10	20			
U18, U11						
U101, U106	74LS244	10	20			
U19, U84	74LS259	8	16			
U79, U80, U100	745373	10	20			
U114	74574	7	14			
U6, U47	74LS793	7	14			
U87, U108	75188	7	14	14		
U88, U107, U109	75789A	7	14		U88	8, 11
U11, U18, U71, U34, U49, U54, U58, U85	2117-3	16	9	18		
U82	2732	12	24			
U67, U68	3625A	9	18			
U83	8085A-2	20	40			
U41	74367	8	16		U41	3, 5, 7
U76	8202A	20	40			
U96	8219	14	28			
U73	8224	8	16	9		
U90, U91	8251A	4	24			
U86	8253	12	24			
U66, U89	8259A	14	28			
U98, U99	8283	10	20			
U102, U105	8287	10	20			
U104	8304B	10	20			
U70, U73	9602	8	16			
U92, U93, U94	4N33	-	-	-		

USER SELECTABLE JUMPERS			
SIGNAL	SH	JUMPER	NOTE
LOC ACK/ 800ns	5	22-24	
LOC ACK/ 1.6us	5	23-24	3
SYNC	9	10-11, 13-14	
ASYN	9	11-12, 14-15	3
SYNC	9	2-3, 5-6	
ASYN	9	1-2, 4-5	3
RS232C	9	8-9	
TTY	9	7-8	3
32K	7	19-18	
48K	7	19-20	
64K	7	19-21	3
OFF BD AACK/	5	27-26	-
NO OFF BD AACK/	5	25-26	3
BCLK/	3	N-P	3

SPECIAL JUMPERS			
SIGNAL	SH	JUMPER	NOTE
CBRQ	A	C-D	3
SOD/SID	A	A-E, B-F	5
-5V SUPPLY	12	G-H	



- NOTES: UNLESS OTHERWISE SPECIFIED.
- CAPACITANCE VALUES ARE IN MICROFARADS, +80%, -20%, 50V.
  - RESISTANCE VALUES ARE IN OHMS, 1/4 W, 5%.
  - JUMPER IS INSTALLED BY FACTORY.
  - NOT INSTALLED.
  - TRACE A-B MUST BE CUT.
  - IF 123605, 8219 PIGGYBACK PWA, IS INSTALLED AT U96 IN PLACE OF IC. 8219, THEN ALSO SEE SCHEM. 123607.

DL2	
Y2	
VR1	
RP13	
R47	
Q4	
L7	
CR3	
C143	
U114	U43, 72
LAST USED	NOT USED
REF DESIGN	

QUANTITY PER DASH NO.	ITEM NO.	PART NUMBER	DESCRIPTION

UNLESS OTHERWISE SPECIFIED:		SIGNATURE		DATE	
1. DIMENSIONS ARE IN INCHES.		<i>[Signature]</i>		3-23-81	
2. BREAK ALL SHARP EDGES.		CHK BY <i>[Signature]</i>		3/24/81	
3. DO NOT SCALE DRAWING.		ENGR APVD <i>[Signature]</i>		3/24/81	
4. TOLERANCES:		APVD			
ANGLE ± 2°		APVD			
XX ± .030					
XXX ± .010					
SURFACE FINISH					

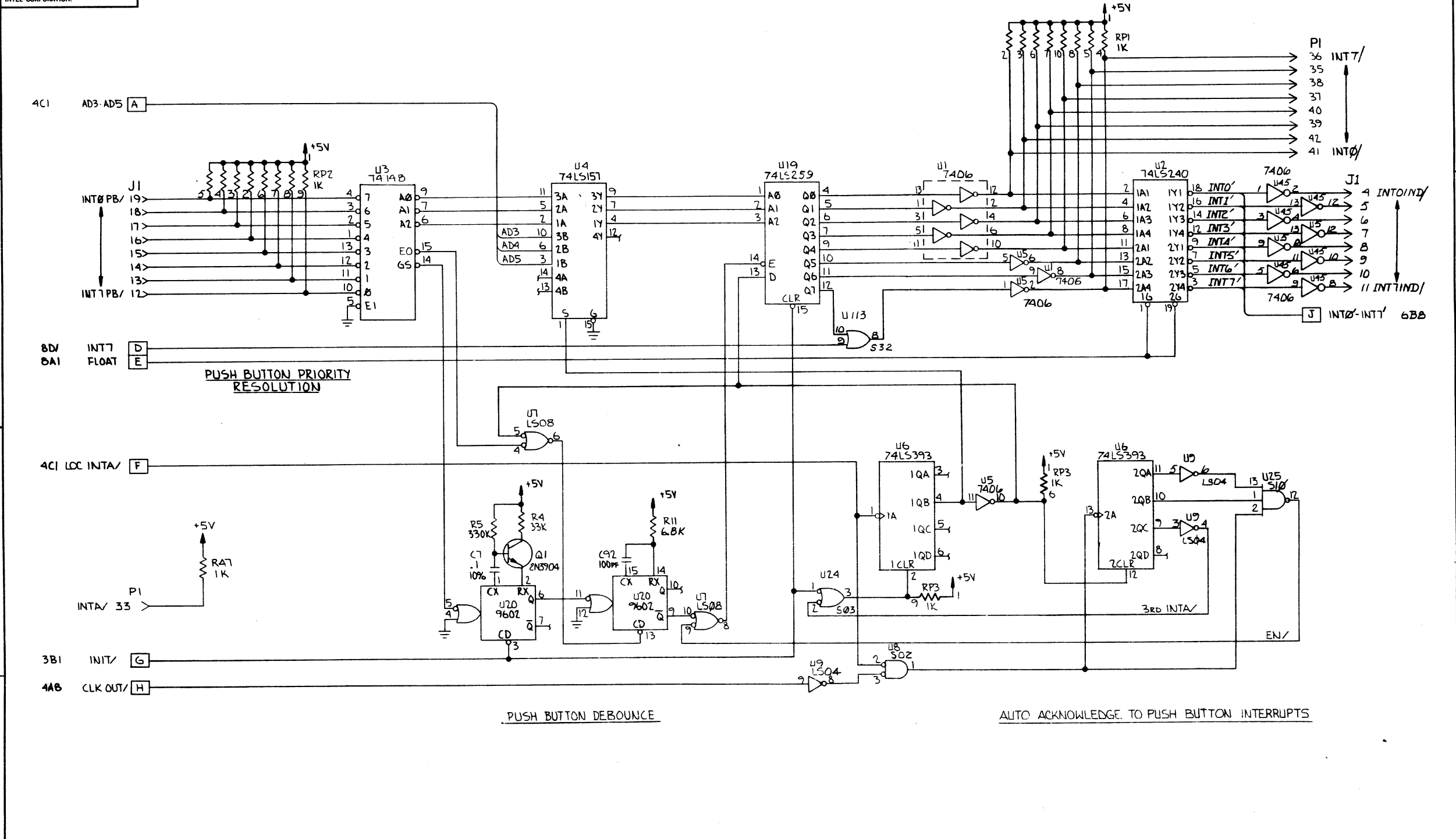
MDS-28X		MDS-22X		MDS-50S	
123192					
NEXT ASSY	USED ON				

TITLE		3065 BOWERS AVE. SANTA CLARA CALIF. 95051			
SCHEMATIC					
INTEGRATED PROCESSOR CARD					
SIZE	CLC	CL CODE	FILE LVL	DOCUMENT NO.	REV
D	13	01	P	124233	A
SCALE NONE				SHEET 1 OF 12	

THIS DRAWING CONTAINS INFORMATION WHICH IS THE PROPRIETARY PROPERTY OF INTEL CORPORATION. THIS DRAWING IS RECEIVED IN CONFIDENCE AND ITS CONTENTS MAY NOT BE DISCLOSED WITHOUT THE PRIOR WRITTEN CONSENT OF INTEL CORPORATION.

REVISIONS		DFT	CHK	DATE	APPROVED
ZONE	REV				
SEE SHEET 1					



PUSH BUTTON PRIORITY RESOLUTION

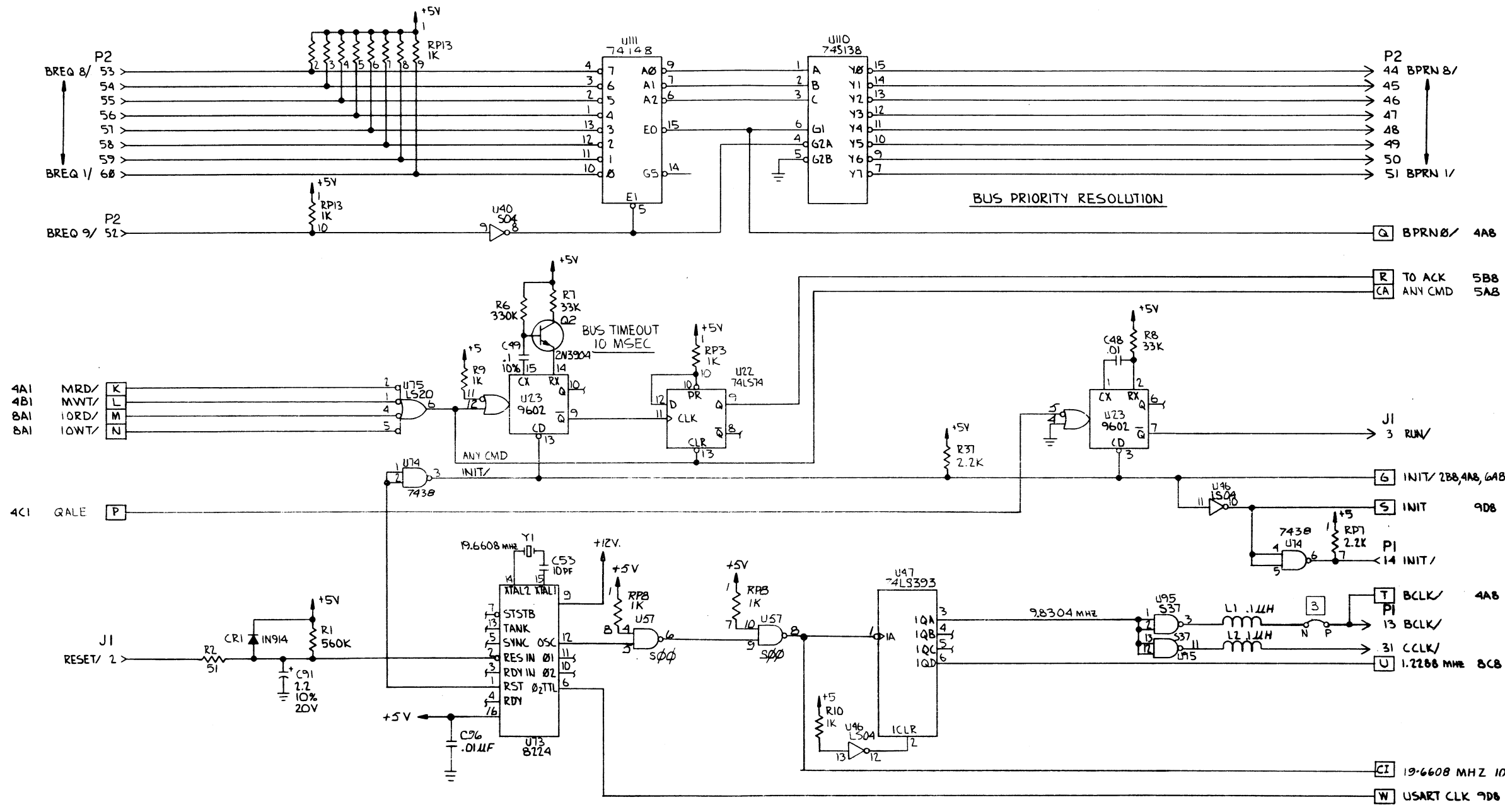
PUSH BUTTON DEBOUNCE

AUTO ACKNOWLEDGE TO PUSH BUTTON INTERRUPTS

SIZE	D	DCLC	13	CL. CODE	01	PLSE. LVL	P	DOCUMENT NO.	124233	REV	A
DRAWN								ISSUED			
								SCALE			
								SHEET 2			

THIS DRAWING CONTAINS INFORMATION WHICH IS THE PROPRIETARY PROPERTY OF INTEL CORPORATION. THIS DRAWING IS RECEIVED IN CONFIDENCE AND ITS CONTENTS MAY NOT BE DISCLOSED WITHOUT THE PRIOR WRITTEN CONSENT OF INTEL CORPORATION.

REVISIONS						
ZONE	REV	DESCRIPTION	DFT	CHK	DATE	APPROVED
---	---	SEE SHEET 1				

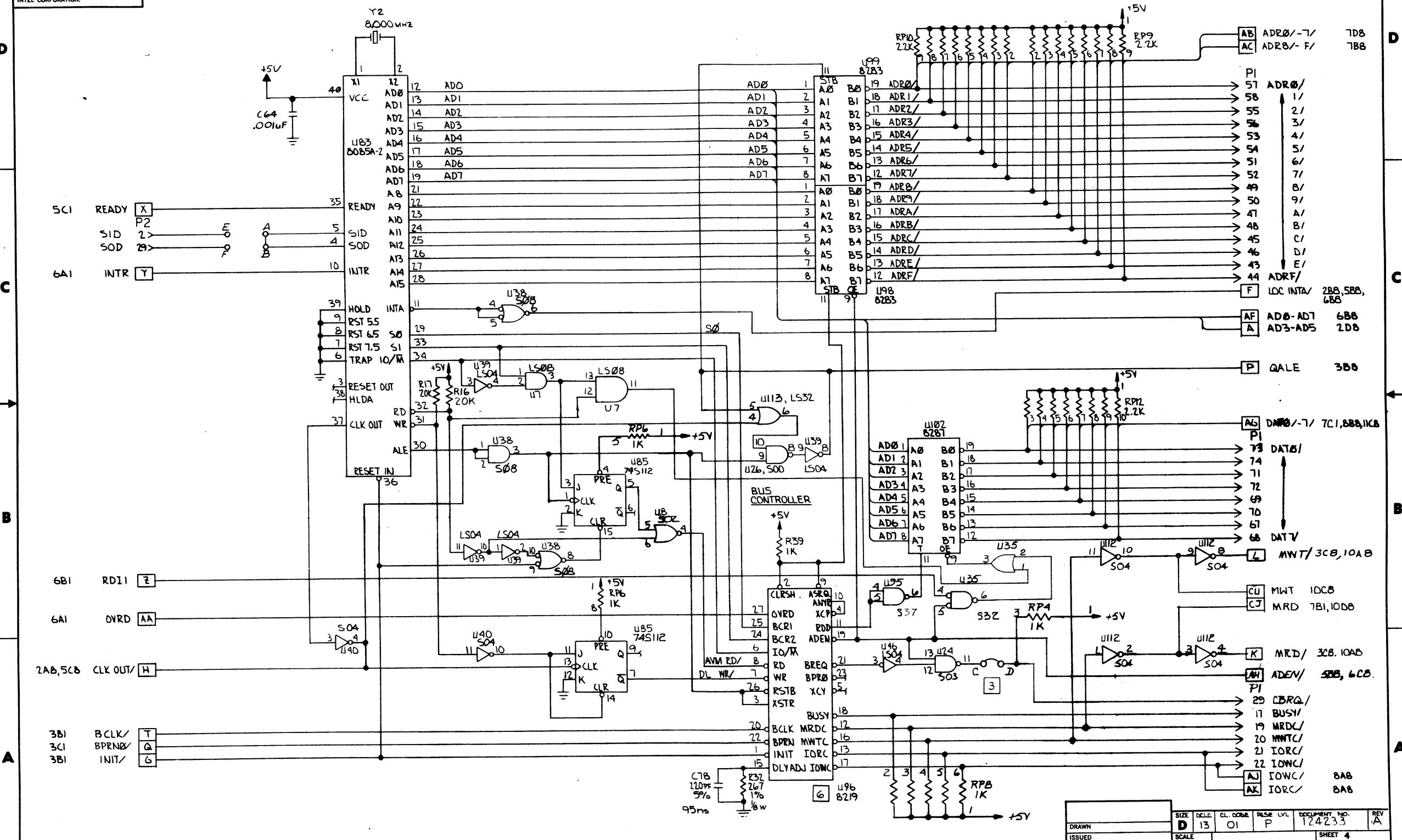


SIZE	DWG. NO.	CL. CODE	PLN. LVL.	DOCUMENT NO.	REV.
D	13	01	P	124233	A

ISSUED SCALE --- SHEET 3

THIS DRAWING CONTAINS INFORMATION WHICH IS THE PROPRIETARY PROPERTY OF INTEL CORPORATION. THIS DRAWING IS RECEIVED IN CONFIDENCE AND ITS CONTENTS MAY NOT BE DISCLOSED WITHOUT THE PRIOR WRITTEN CONSENT OF INTEL CORPORATION.

DWG NO. 124233		REV A	
REVISIONS		DFT	CHK
ZONE	REV	DESCRIPTION	DATE
-		SEE SHEET 1	-

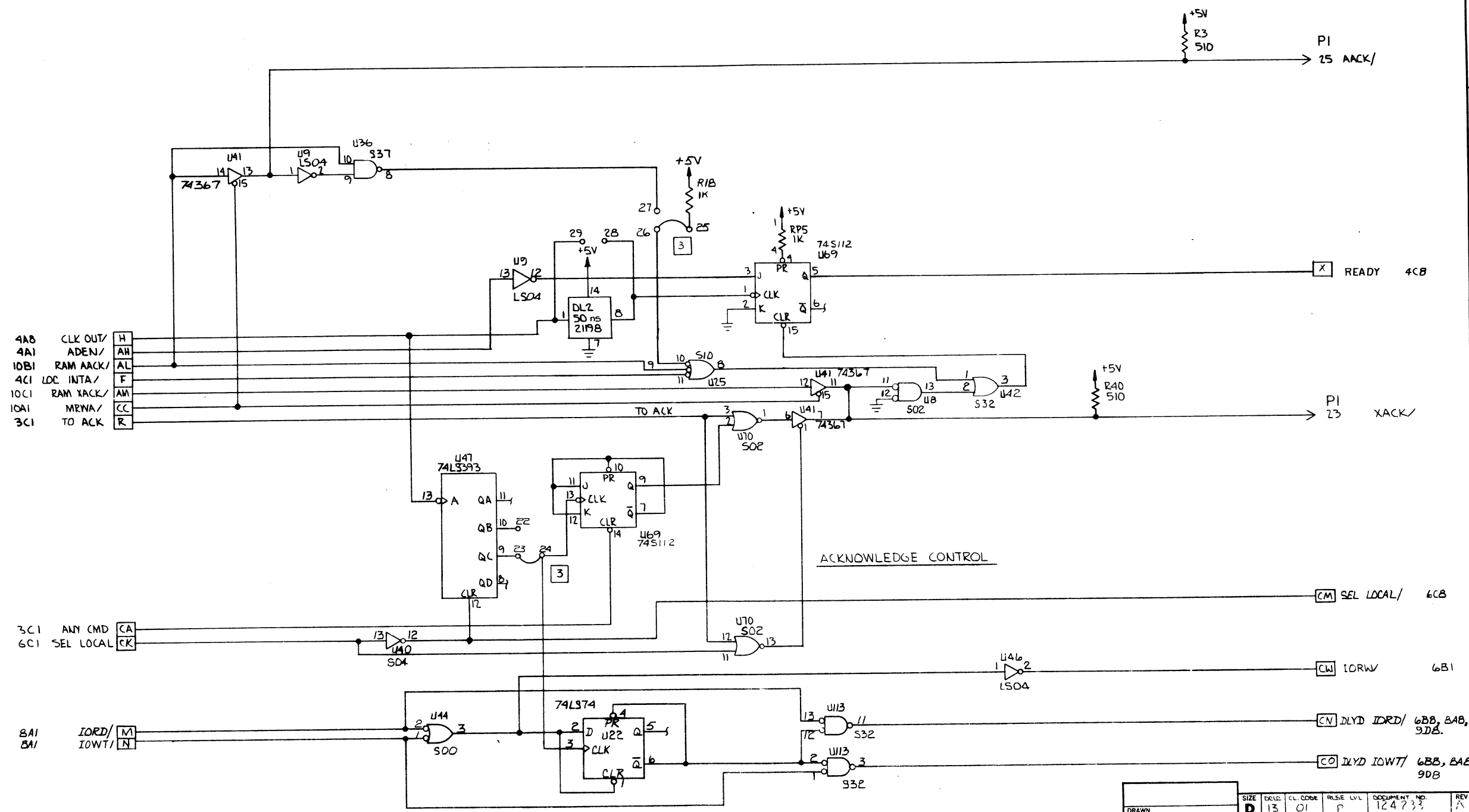


DRAWN	SCALE	SIZE D	CLC 13	CL CODE 01	PLSE LVL P	DOCUMENT NO. 124233	REV A
ISSUED							

THIS DRAWING CONTAINS INFORMATION WHICH IS THE PROPRIETARY PROPERTY OF INTEL CORPORATION. THIS DRAWING IS RECEIVED IN CONFIDENCE AND ITS CONTENTS MAY NOT BE DISCLOSED WITHOUT THE PRIOR WRITTEN CONSENT OF INTEL CORPORATION.

DWG NO. 124233 SH 5 REV A

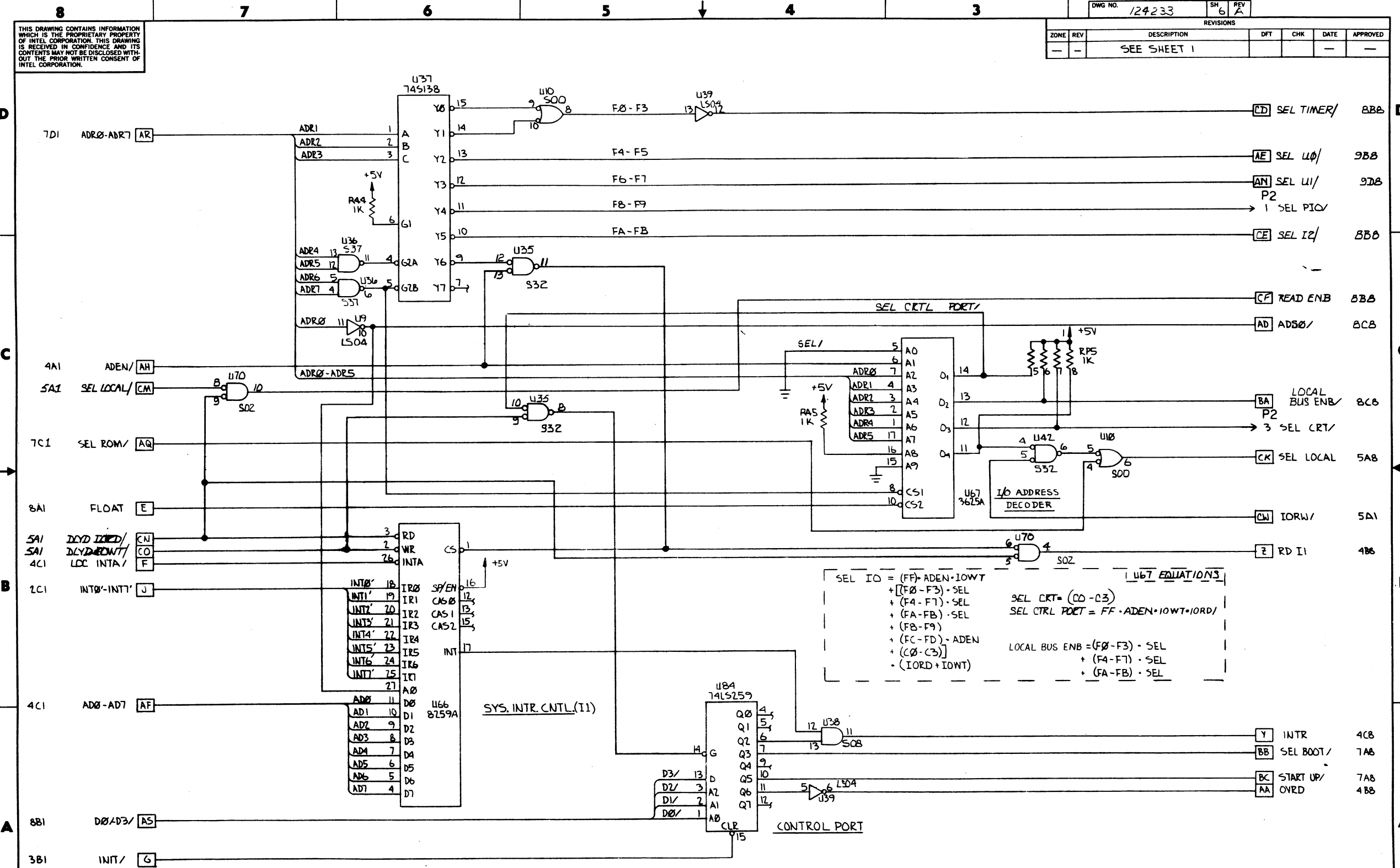
REVISIONS		DFT	CHK	DATE	APPROVED
ZONE	REV				
-	-	SEE SHEET 1			



DRAWN	ISSUED	SCALE	SIZE	DELT	CL. CODE	PLSE LVL	DOCUMENT NO.	REV
			D	13	01	P	124233	A
							SHEET	5

THIS DRAWING CONTAINS INFORMATION WHICH IS THE PROPRIETARY PROPERTY OF INTEL CORPORATION. THIS DRAWING IS RECEIVED IN CONFIDENCE AND ITS CONTENTS MAY NOT BE DISCLOSED WITHOUT THE PRIOR WRITTEN CONSENT OF INTEL CORPORATION.

DWG NO. 124233		SH 6	REV A			
ZONE	REV	DESCRIPTION	DFT	CHK	DATE	APPROVED
-	-	SEE SHEET 1				



**U67 EQUATIONS**

$$\text{SEL IO} = (\text{FF} \cdot \text{ADEN} \cdot \text{IOWT} + [(\text{F0} - \text{F3}) \cdot \text{SEL} + (\text{F4} - \text{F7}) \cdot \text{SEL} + (\text{FA} - \text{FB}) \cdot \text{SEL} + (\text{FB} - \text{F9}) \cdot \text{SEL} + (\text{FC} - \text{FD}) \cdot \text{ADEN} + (\text{C0} - \text{C3})] \cdot (\text{IORD} + \text{IOWT}))$$

$$\text{SEL CRT} = (\text{C0} - \text{C3})$$

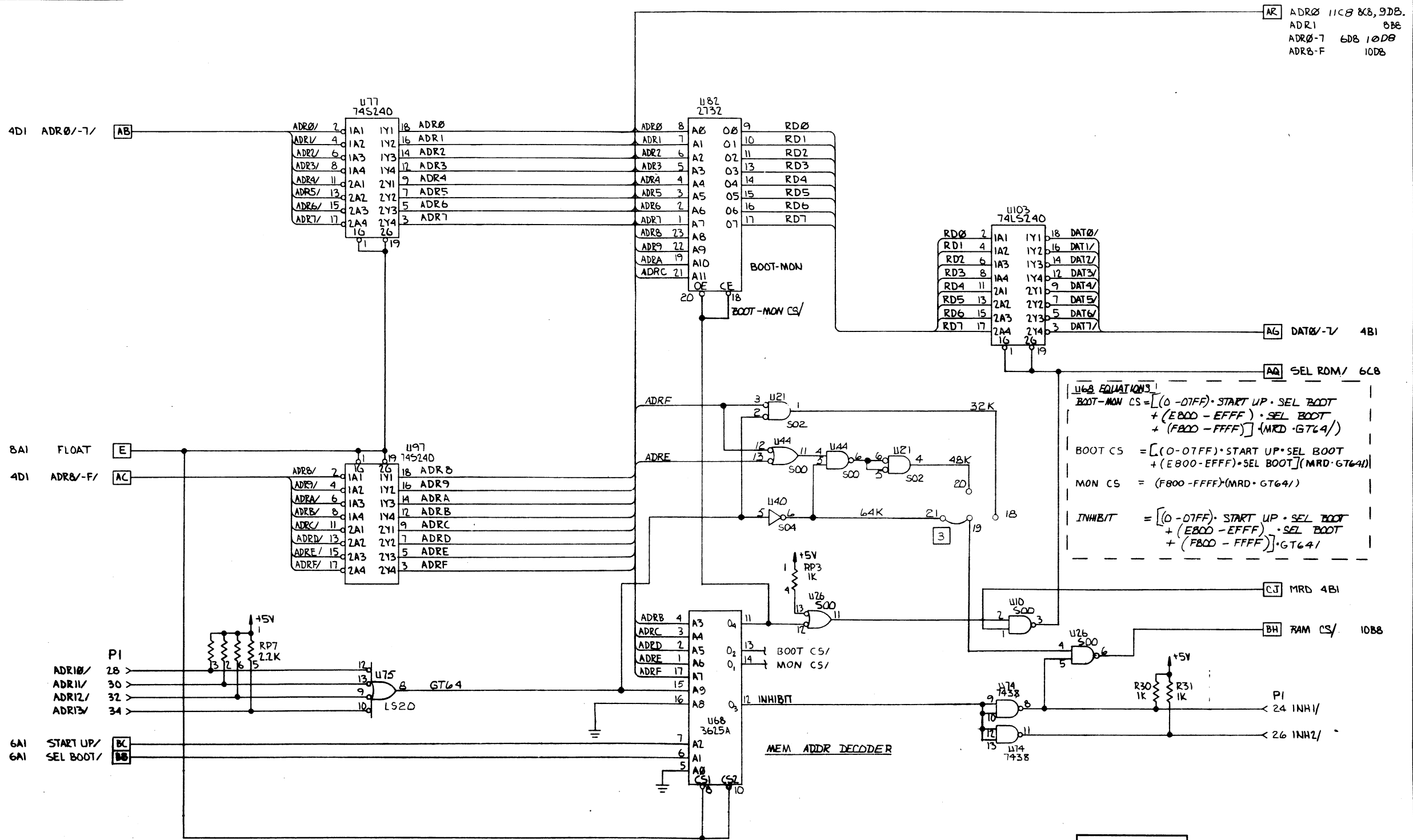
$$\text{SEL CTRL PORT} = \text{FF} \cdot \text{ADEN} \cdot \text{IOWT} \cdot \text{IORD}$$

$$\text{LOCAL BUS ENB} = (\text{F0} - \text{F3}) \cdot \text{SEL} + (\text{F4} - \text{F7}) \cdot \text{SEL} + (\text{FA} - \text{FB}) \cdot \text{SEL}$$

SIZE	CDL	CL. CODE	PLSE LVL	DOCUMENT NO.	REV
D	13	01	P	124233	A

THIS DRAWING CONTAINS INFORMATION WHICH IS THE PROPRIETARY PROPERTY OF INTEL CORPORATION. THIS DRAWING IS RECEIVED IN CONFIDENCE AND ITS CONTENTS MAY NOT BE DISCLOSED WITHOUT THE PRIOR WRITTEN CONSENT OF INTEL CORPORATION.

DWG NO. 124233		SH 7	REV 1			
REVISIONS						
ZONE	REV	DESCRIPTION	DFT	CHK	DATE	APPROVED
---	---	SEE SHEET 1				

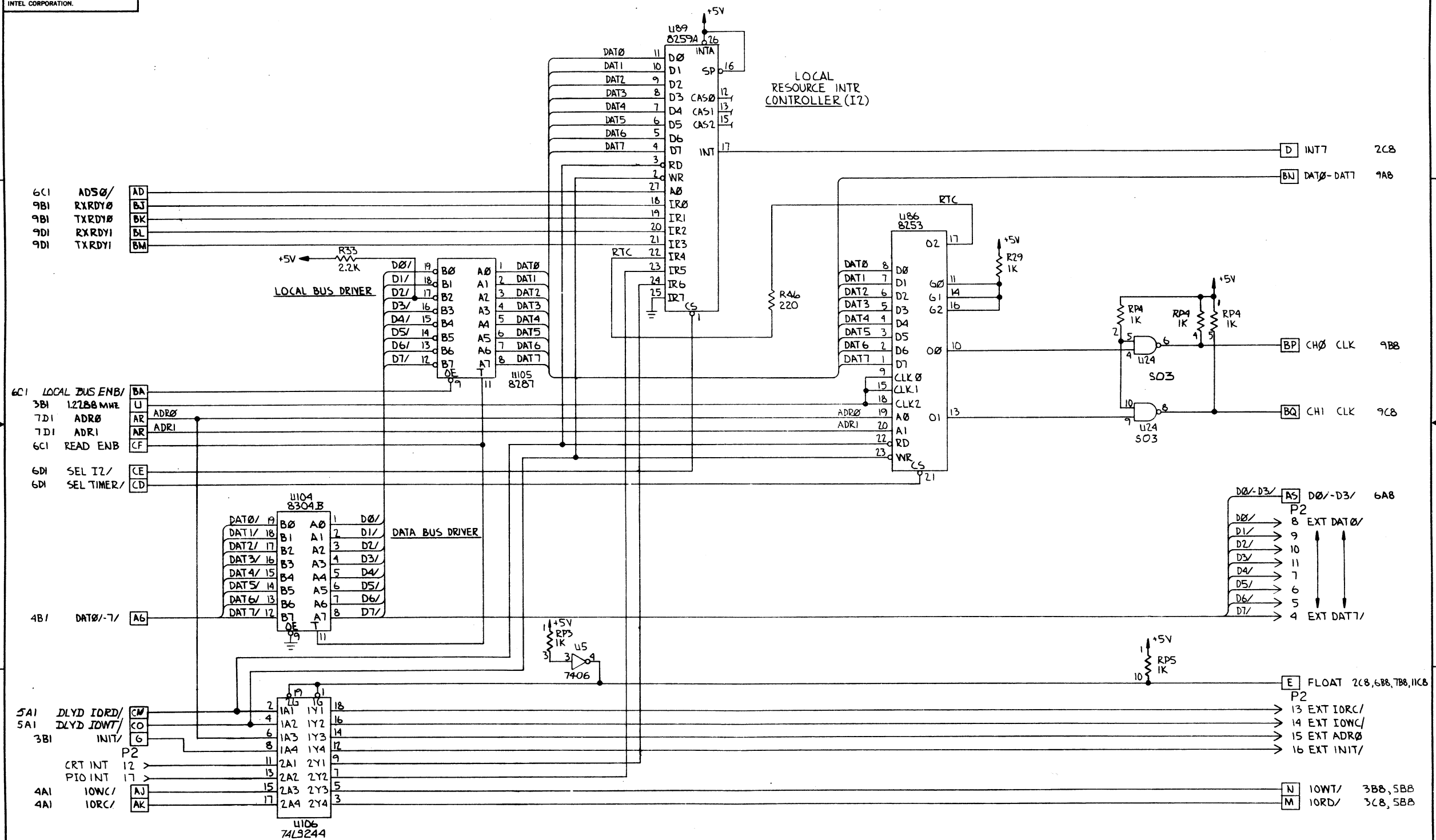


**U68 EQUATIONS:**  
 $BOOT-MON CS = [(0-07FF) \cdot START UP \cdot SEL BOOT + (E800-EFFF) \cdot SEL BOOT + (FB00-FFFF)] \cdot (MRD \cdot GT64)$   
 $BOOT CS = [(0-07FF) \cdot START UP \cdot SEL BOOT + (E800-EFFF) \cdot SEL BOOT] \cdot (MRD \cdot GT64)$   
 $MON CS = (FB00-FFFF) \cdot (MRD \cdot GT64)$   
 $INHIBIT = [(0-07FF) \cdot START UP \cdot SEL BOOT + (E800-EFFF) \cdot SEL BOOT + (FB00-FFFF)] \cdot GT64$

DRAWN	SIZE	DATE	CL. CODE	PLS. LVL	DOCUMENT NO.	REV
ISSUED	D	13	01	P	124233	A
SCALE						SHEET 7

THIS DRAWING CONTAINS INFORMATION WHICH IS THE PROPRIETARY PROPERTY OF INTEL CORPORATION. THIS DRAWING IS RECEIVED IN CONFIDENCE AND ITS CONTENTS MAY NOT BE DISCLOSED WITHOUT THE PRIOR WRITTEN CONSENT OF INTEL CORPORATION.

DWG NO.	124233	SH	B	REV	A	
REVISIONS						
ZONE	REV	DESCRIPTION	DFT	CHK	DATE	APPROVED
-	-	SEE SHEET 1				



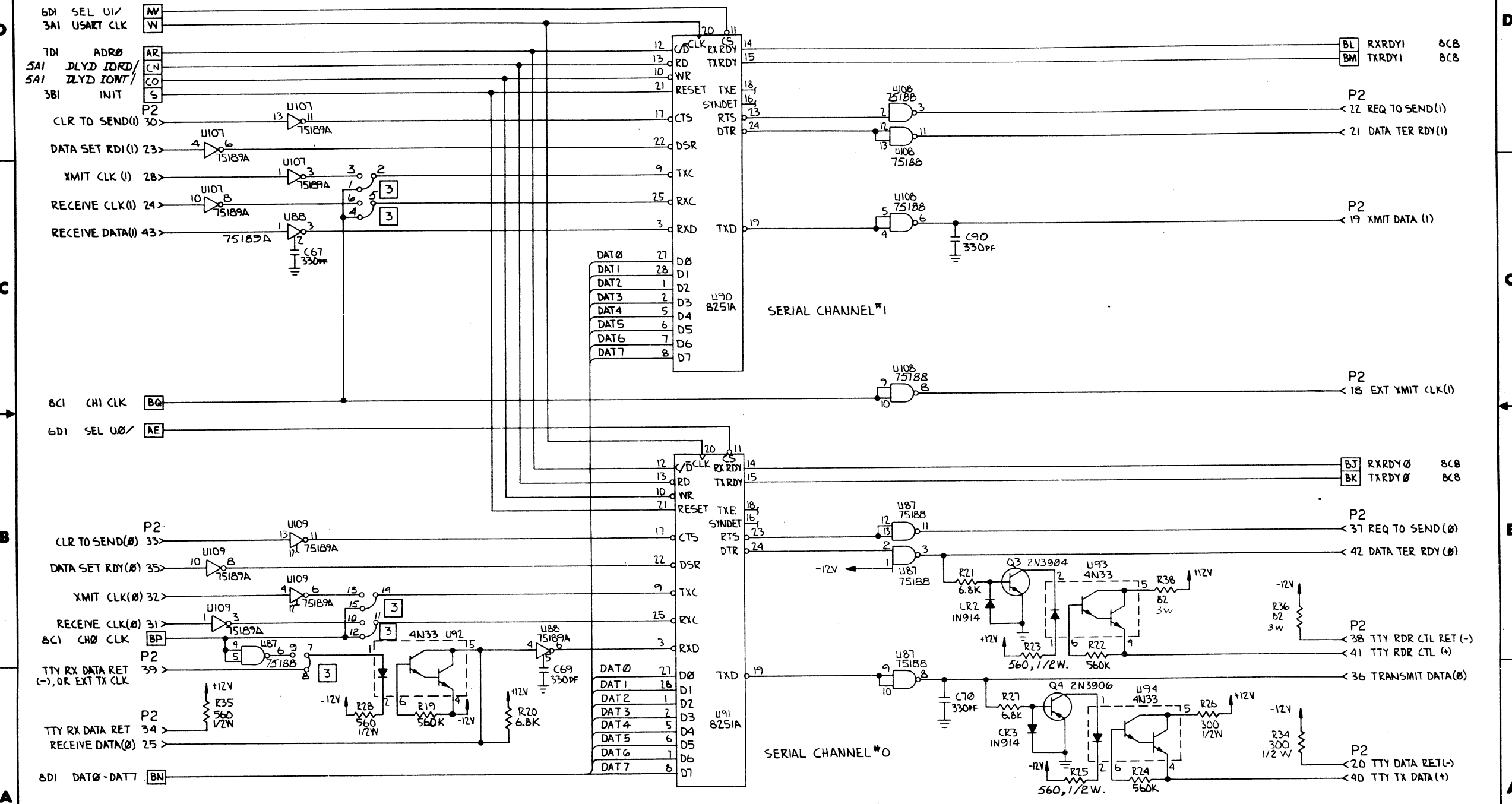


THIS DRAWING CONTAINS INFORMATION WHICH IS THE PROPRIETARY PROPERTY OF INTEL CORPORATION. THIS DRAWING IS RECEIVED IN CONFIDENCE AND ITS CONTENTS MAY NOT BE DISCLOSED WITHOUT THE PRIOR WRITTEN CONSENT OF INTEL CORPORATION.

DWG NO. 124233

SH 9 REV A

ZONE		REV	DESCRIPTION	DFT	CHK	DATE	APPROVED
-		-	SEE SHEET 1				

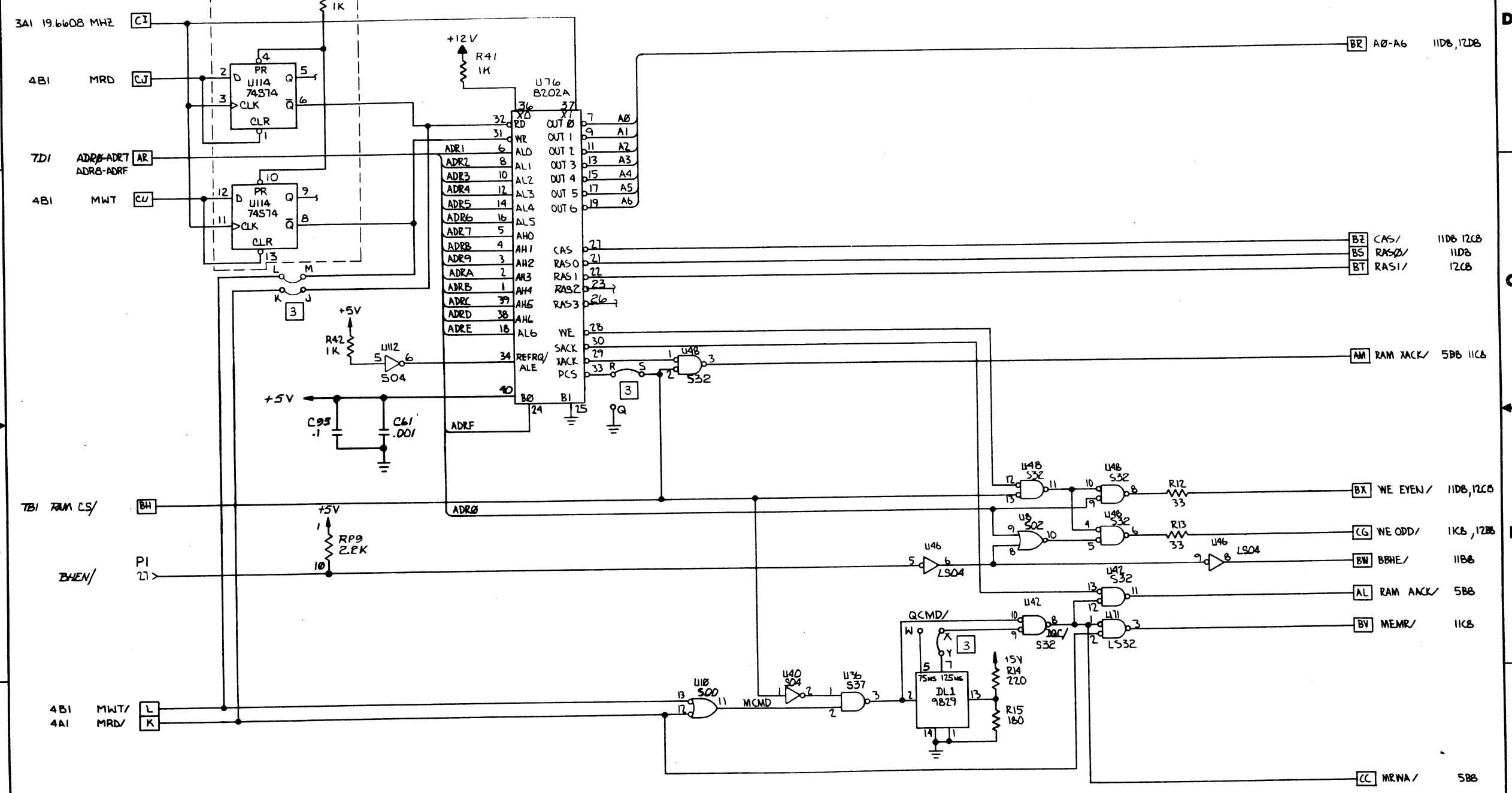


SIZE	COLP	CL CODE	RISE LVL	DOCUMENT NO.	REV
D	13	01	P	124233	A

DRAWN: [ ]  
ISSUED: [ ]

THIS DRAWING CONTAINS INFORMATION WHICH IS THE PROPRIETARY PROPERTY OF INTEL CORPORATION. THIS DRAWING IS RECEIVED IN CONFIDENCE AND ITS CONTENTS MAY NOT BE DISCLOSED WITHOUT THE PRIOR WRITTEN CONSENT OF INTEL CORPORATION.

DWG NO	124233	SM	10	REV	A	
REVISIONS						
ZONE	REV	DESCRIPTION	DFT	CHK	DATE	APPROVED
---	---	SEE SHEET 1				

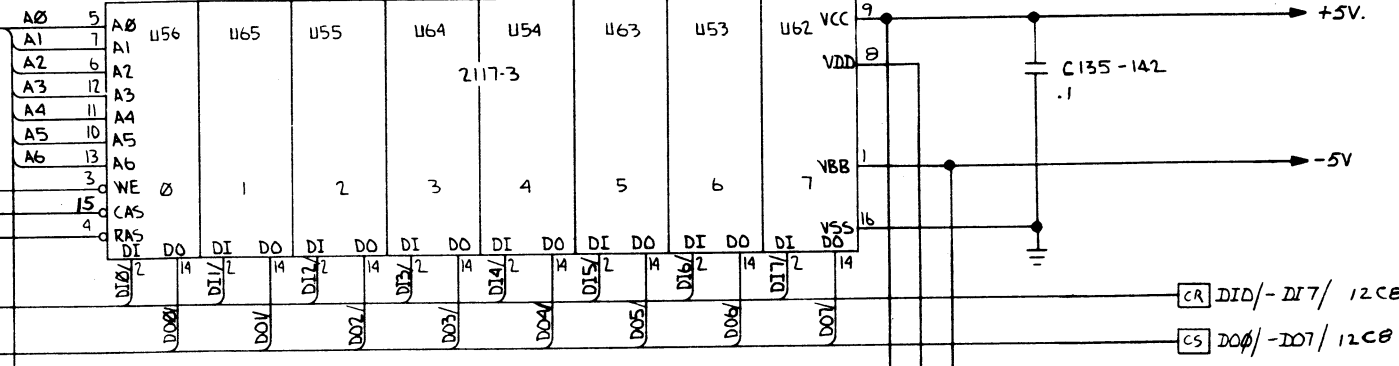


DRAWN	SIZE	DCLC	CL. CODE	RLSE LVL	DOCUMENT NO.	REV
ISSUED	D	13	01	P	124233	A
SCALE					SHEET 10	

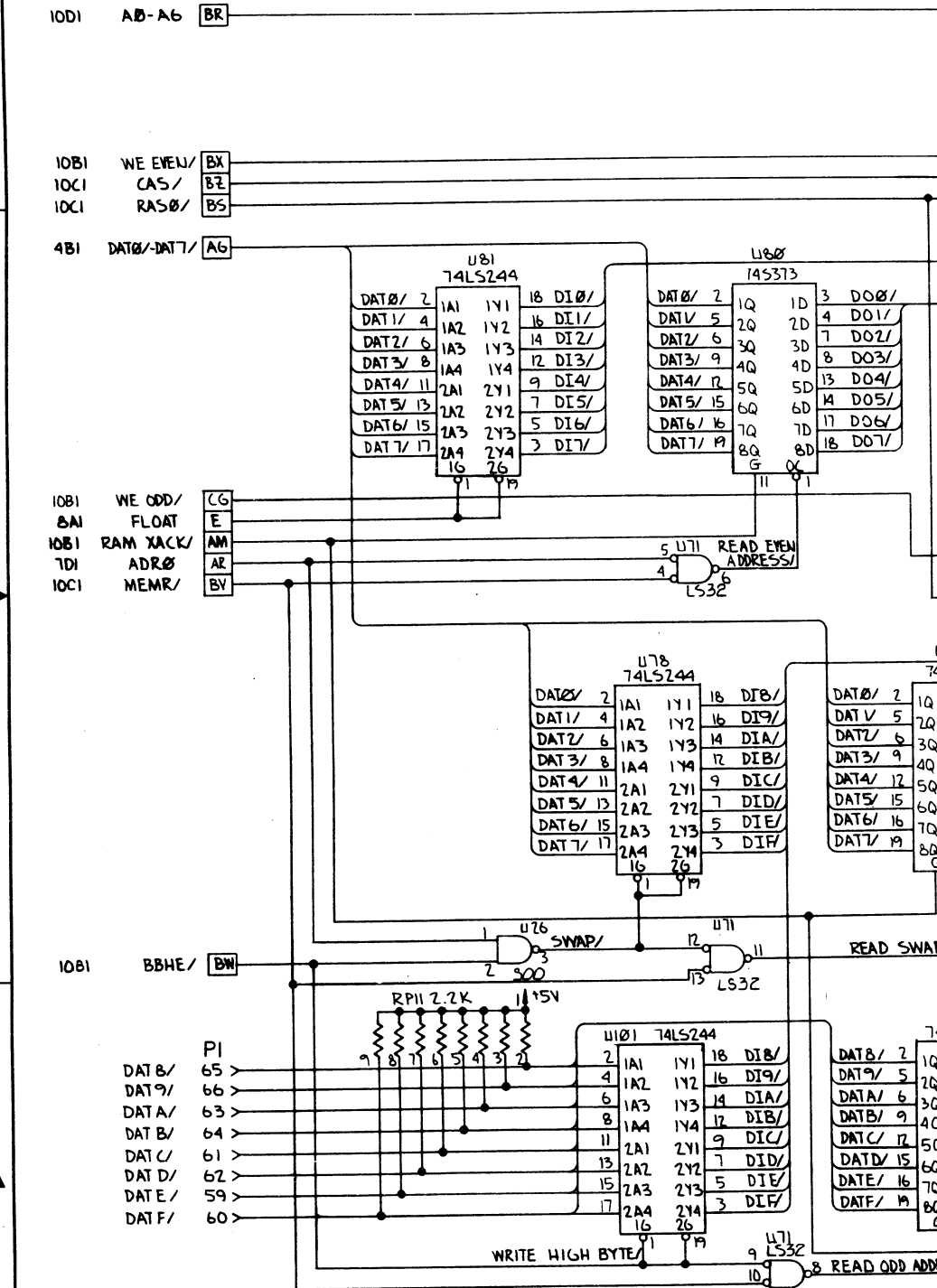
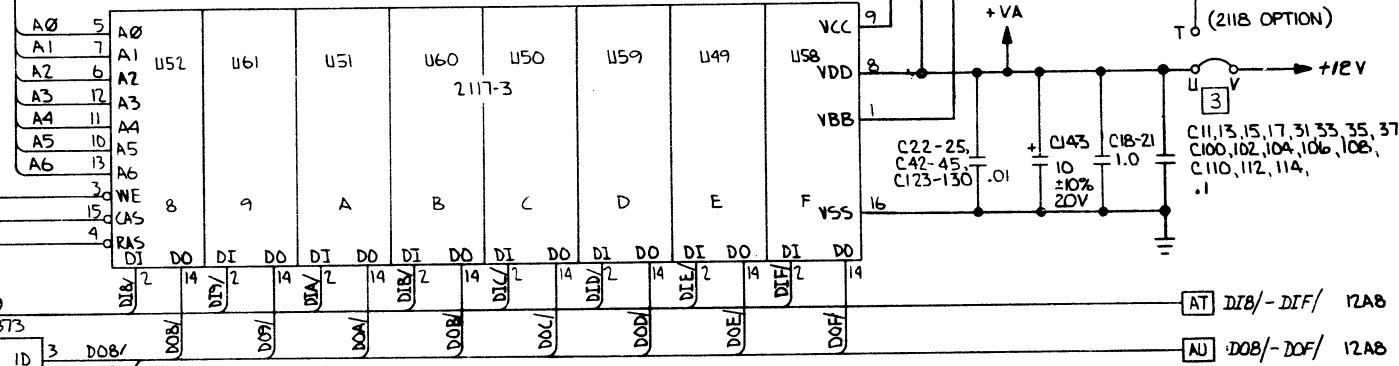
THIS DRAWING CONTAINS INFORMATION WHICH IS THE PROPRIETARY PROPERTY OF INTEL CORPORATION. THIS DRAWING IS RECEIVED IN CONFIDENCE AND ITS CONTENTS MAY NOT BE DISCLOSED WITHOUT THE PRIOR WRITTEN CONSENT OF INTEL CORPORATION.

DWG NO. 124233		SH 11	REV A
REVISIONS			
ZONE	REV	DESCRIPTION	DFT
---	---	SEE SHEET 1	---
DATE	CHK	DATE	APPROVED
---	---	---	---

LOW BANK EVEN ADDRESSES



LOW BANK ODD ADDRESSES

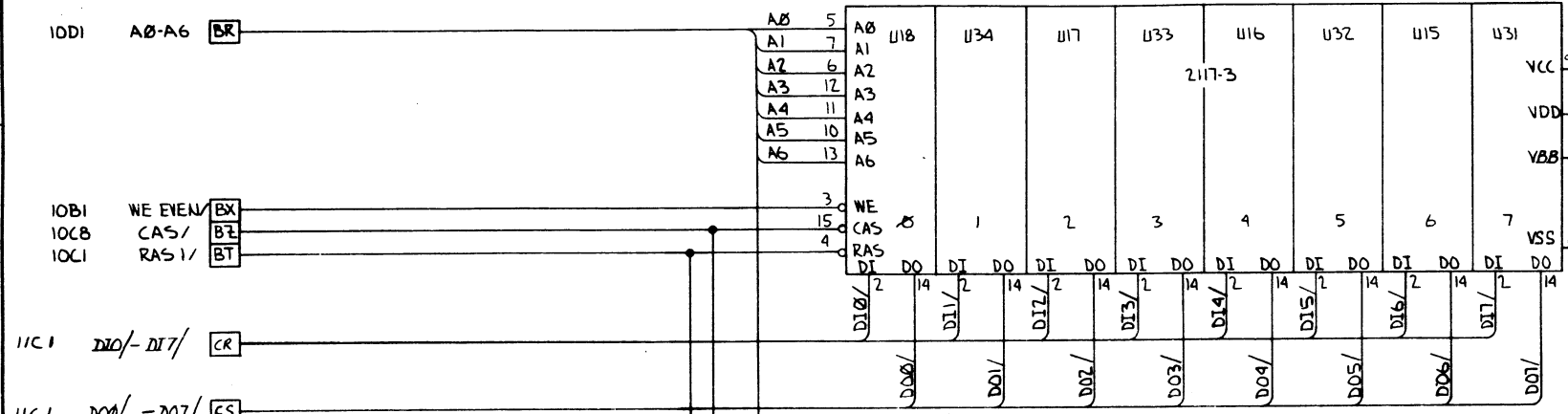


DRAWN	SCALE	SIZE D	DCLC 13	CL CODE 01	PLSP 1VL P	DOCUMENT NO. 124233	REV A
ISSUED						SHEET 11	

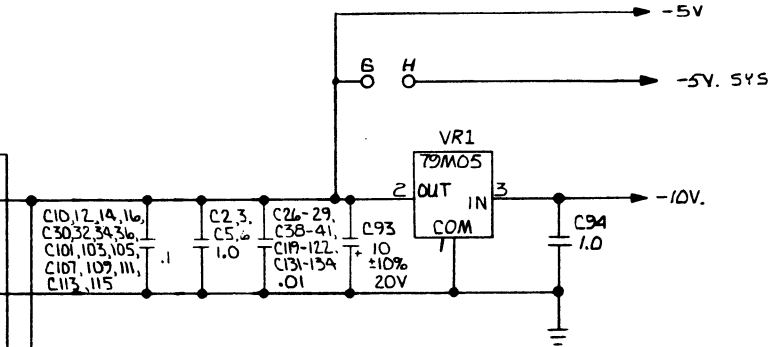
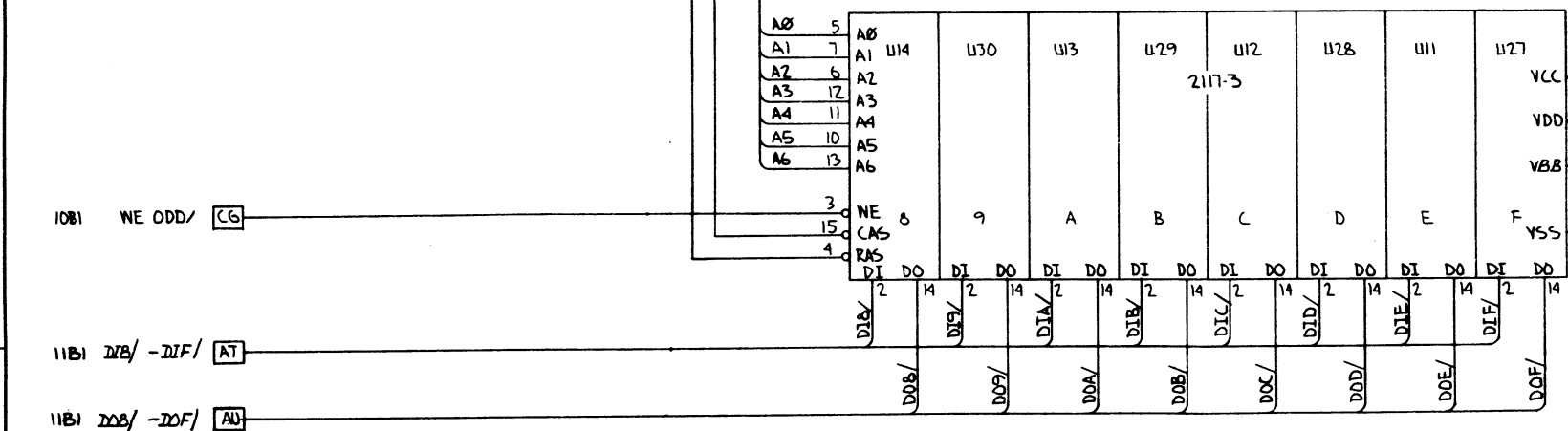
THIS DRAWING CONTAINS INFORMATION WHICH IS THE PROPRIETARY PROPERTY OF INTEL CORPORATION. THIS DRAWING IS RECEIVED IN CONFIDENCE AND ITS CONTENTS MAY NOT BE DISCLOSED WITHOUT THE PRIOR WRITTEN CONSENT OF INTEL CORPORATION.

DWG NO. 124233		SH 12	REV A
REVISIONS			
ZONE	REV	DESCRIPTION	DFT
-	-	SEE SHEET 1	-

HIGH BANK EVEN ADDRESSES



HIGH BANK ODD ADDRESSES



SIZE	D	DCLC	13	CL. CODE	01	RISE LVL	P	DOCUMENT NO.	124233	REV	A
DRAWN											
ISSUED											
SCALE											