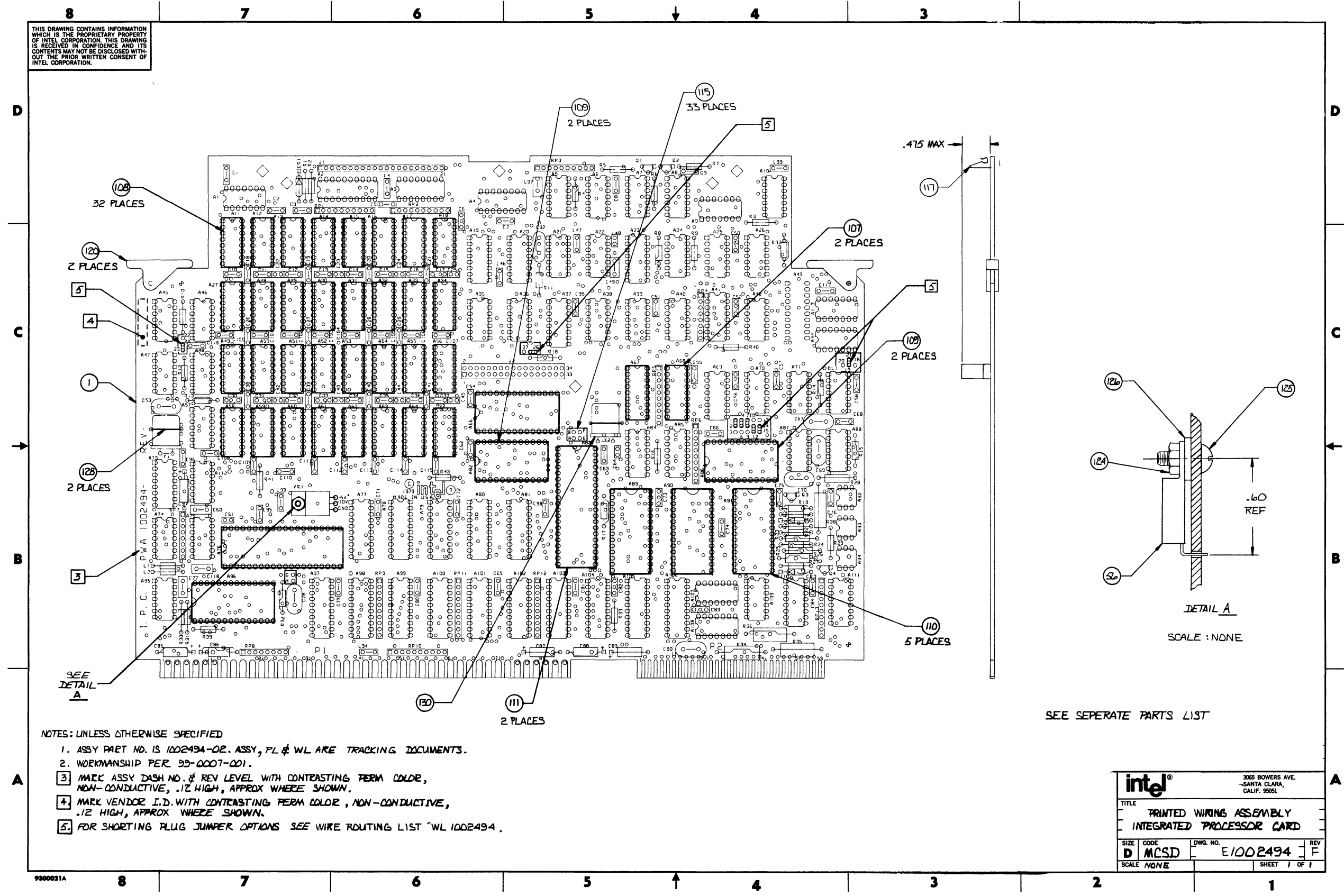


THIS DRAWING CONTAINS INFORMATION WHICH IS THE PROPRIETARY PROPERTY OF INTEL CORPORATION. THIS DRAWING IS RECEIVED IN CONFIDENCE AND ITS CONTENTS MAY NOT BE DISCLOSED WITHOUT THE PRIOR WRITTEN CONSENT OF INTEL CORPORATION.

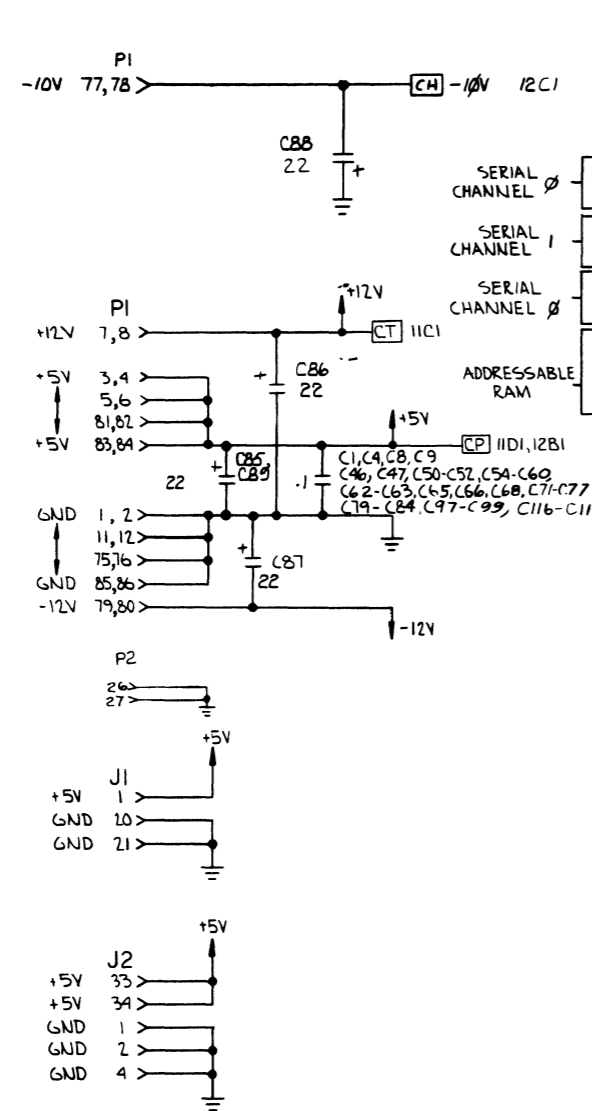


- NOTES: UNLESS OTHERWISE SPECIFIED
1. ASSY PART NO. IS 1002494-02. ASSY, PL & WL ARE TRACKING DOCUMENTS.
  2. WORKMANSHIP PER 99-0007-001.
  3. MARK ASSY DASH NO. & REV LEVEL WITH CONTRASTING PERM COLOR, NON-CONDUCTIVE, .12 HIGH, APPROX WHERE SHOWN.
  4. MARK VENDOR I.D. WITH CONTRASTING PERM COLOR, NON-CONDUCTIVE, .12 HIGH, APPROX WHERE SHOWN.
  5. FOR SHORTING PLUG JUMPER OPTIONS SEE WIRE ROUTING LIST WL 1002494.

SEE SEPERATE PARTS LIST

<b>intel</b>		3065 BOWERS AVE. SANTA CLARA, CALIF. 95051	
TITLE PRINTED WIRING ASSEMBLY INTEGRATED PROCESSOR CARD			
SIZE D	CODE MCS D	DWG. NO. E1002494	REV F
SCALE NONE		SHEET 1 OF 1	

THIS DRAWING CONTAINS INFORMATION WHICH IS THE PROPRIETARY PROPERTY OF INTEL CORPORATION. THIS DRAWING IS RECEIVED IN CONFIDENCE AND ITS CONTENTS MAY NOT BE DISCLOSED WITHOUT THE PRIOR WRITTEN CONSENT OF INTEL CORPORATION.



USER SELECTABLE JUMPERS			
SIGNAL	SH	JUMPER	NOTE
LOC ACK/ 800ns	5	22-24	
LOC ACK/ 1.6us	5	23-24	[3]
SYNCR	9	10-11, 13-14	
ASYNCR	9	11-12, 14-15	[3]
SYNCR	9	2-3, 5-6	
ASYNCR	9	1-2, 4-5	[3]
R5232C	9	8-9	
TTY	9	7-8	[3]
32K	7	19-18	
48K	7	19-20	
64K	7	19-21	[3]
OFF BD AACK/	5	27-26	-
NO OFF BD AACK/	5	25-26	[3]

SPECIAL JUMPERS			
SIGNAL	SH	JUMPER	NOTE
CBRQ	4	C-D	
SQD/SID	4	A-E, B-F	
-5V SUPPLY	12	G-H	

- NOTES: UNLESS OTHERWISE SPECIFIED
- CAPACITANCE VALUES ARE IN MICROFARADS, +80% - 20%, 25V.
  - RESISTANCE VALUES ARE IN OHMS, 1/4 W, 5%.
- [3] JUMPER IS INSTALLED BY FACTORY.

DL2	
Y2	
VR1	
RP13	
R43	
Q4	
L7	
CR3	
C118	
A114	A43, A72.
LAST USED	NOT USED
REF DESIG	

PWR & GND LOCATOR CHART							
REF DESIG	DEVICE TYPE	POWER PINS				SPARE GATES	
		GND	VCC	-5	+2/-2	REF DES	QTY
A0, 26, 44	74500	7	14			A44	1
A57	74500					A57	2
A8, A10, 21	74502					A21	2
A74	74503						
A90, A112	74504					A112	2
A9, A39, A46	74504						
A1, A5, A45	7406						
A38	74508						
A7	74LS0B					A7	1
A25	74510					A25	1
A75	74LS20						
A113, A35							
A42, A48	74532						
A71	74LS32						
A36, A95	74537					A95	1
A74	7438						
A22	74LS74	7	14				
A85	745112	8	16				
A37, A110	745138	8	16				
A3, A111	74-14B	8	16				
A4	74LS157	8	16				
A77, A97	745240	10	20				
A103, A2	74LS240	10	20				
A78, A81							
A101, A106	74LS244	10	20				
A69	74 5112	8	16				
A19, A84	74LS259	8	16				
A79, A80, A100	745373	10	20				
A6, A47	74LS393	7	14				
A87, A108	7518B	7		14	1		
A88, A107, A107	75189A	7	14				
A11-A18, A21-A24, A49-A52, A53-A55	2117-3	16	9	1	8		
A82	2732	12	24				
A67, A68	3625A	9	18				
A83	8085A-2	20	40				
A41	74367	8	16				
A76	8202	20	40				
A96	8219	14	28				
A73	8224	8	16	9			
A90, A91	8251A	4	26				
A86	8253	12	24				
A66, A89	8259A	14	28				
A98, A99	8283	10	20				
A102, A105	8287	10	20				
A104	8304B	10	20				
A70, A73	9602	8	16				
A114	74574	7	14				
A92- A94	4W33						

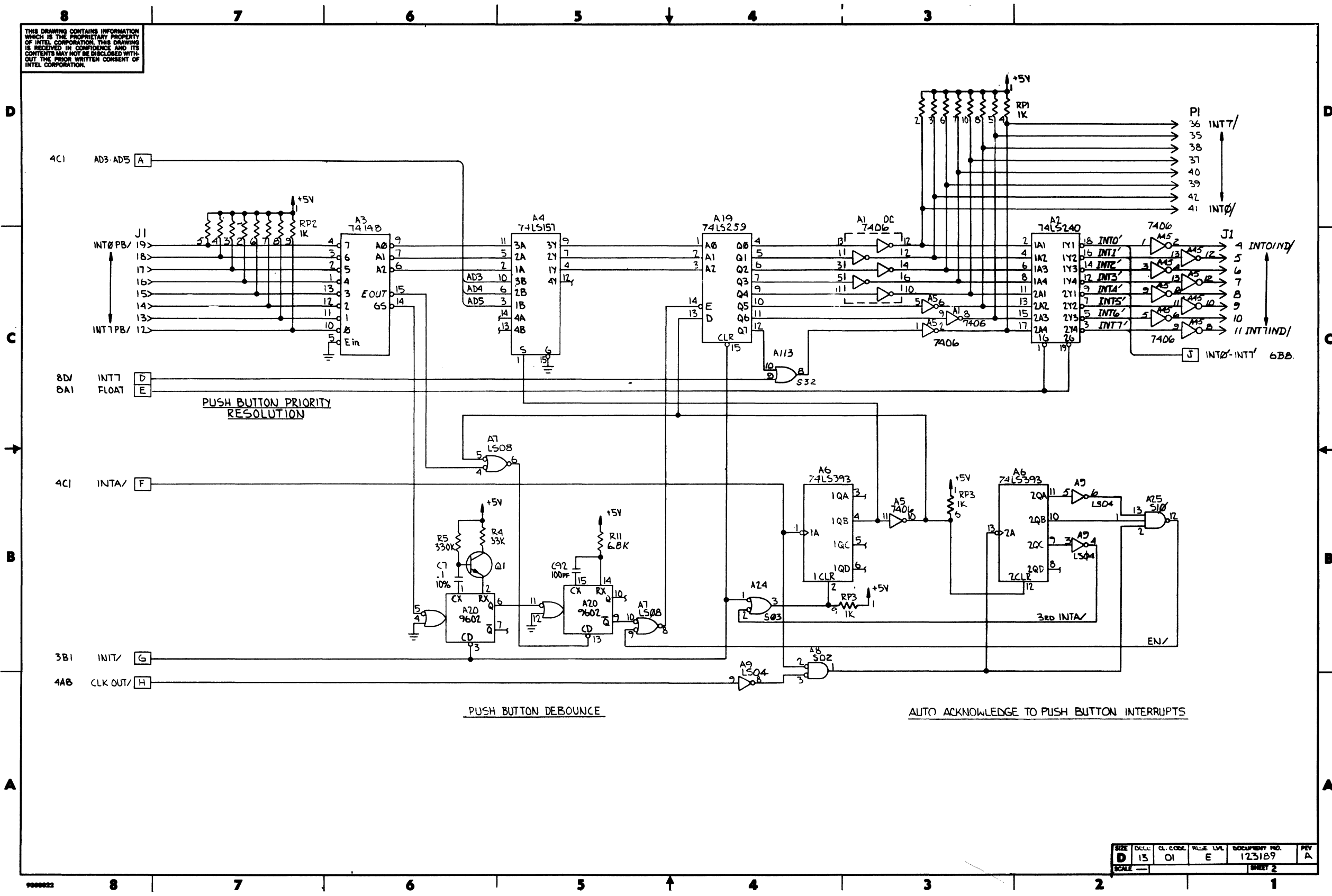
intel® 306 BOWERS AVE. SANTA CLARA CALIF. 95051

TITLE SCHEMATIC INTEGRATED PROCESSOR CARD

SIZE	DCLC	CL. CODE	PULSE LVL.	DOCUMENT NO.	REV
D	13	01	E	123189	A

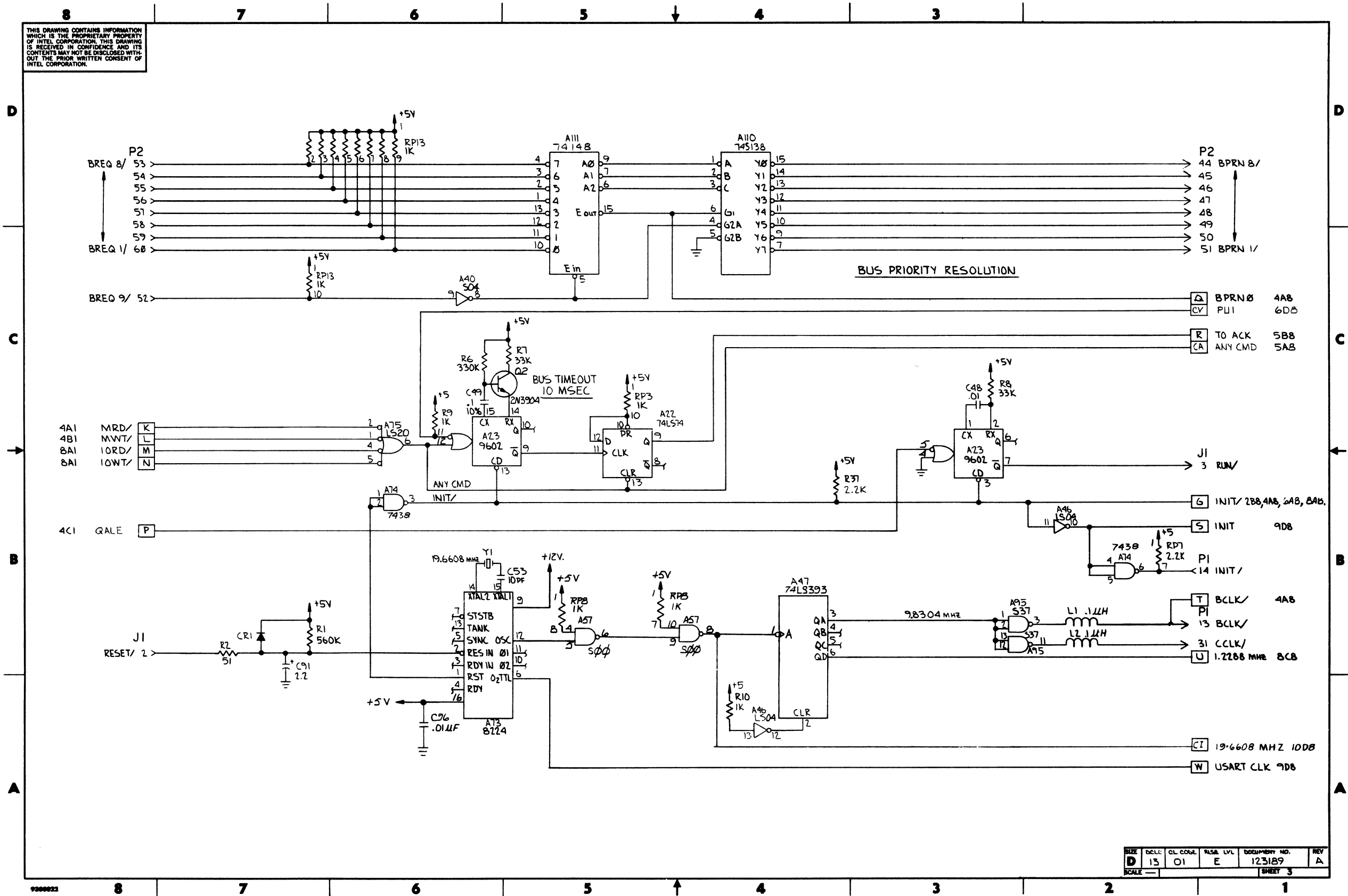
SCALE — SHEET 1 OF 12

THIS DRAWING CONTAINS INFORMATION WHICH IS THE PROPRIETARY PROPERTY OF INTEL CORPORATION. THIS DRAWING IS RECEIVED IN CONFIDENCE AND ITS CONTENTS MAY NOT BE DISCLOSED WITHOUT THE PRIOR WRITTEN CONSENT OF INTEL CORPORATION.



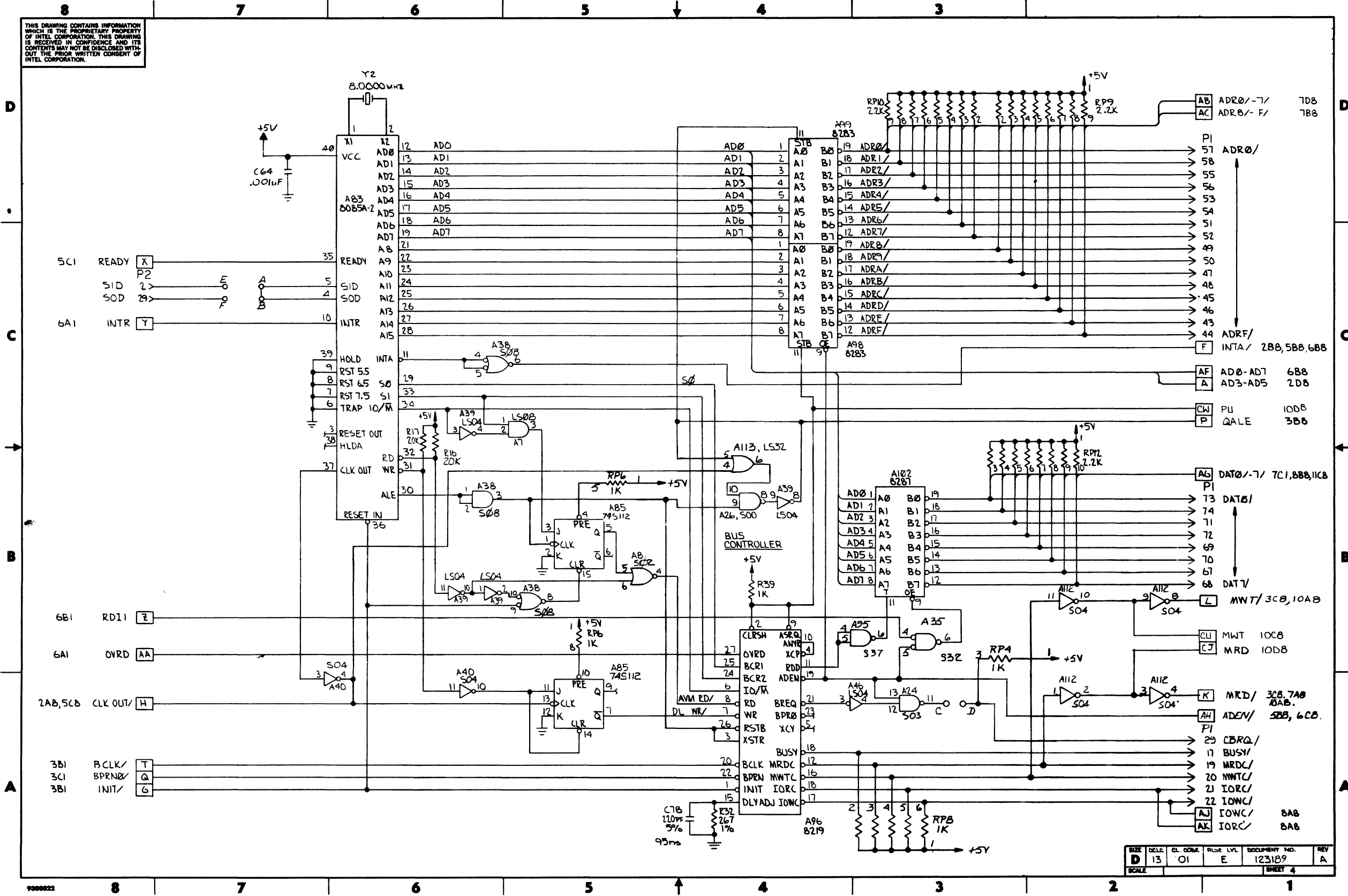
SIZE	D	DATE	13	CL. CODE	01	FILE LVL	E	DOCUMENT NO.	123189	REV	A
SCALE											

THIS DRAWING CONTAINS INFORMATION WHICH IS THE PROPRIETARY PROPERTY OF INTEL CORPORATION. THIS DRAWING IS RECEIVED IN CONFIDENCE AND ITS CONTENTS MAY NOT BE DISCLOSED WITHOUT THE PRIOR WRITTEN CONSENT OF INTEL CORPORATION.



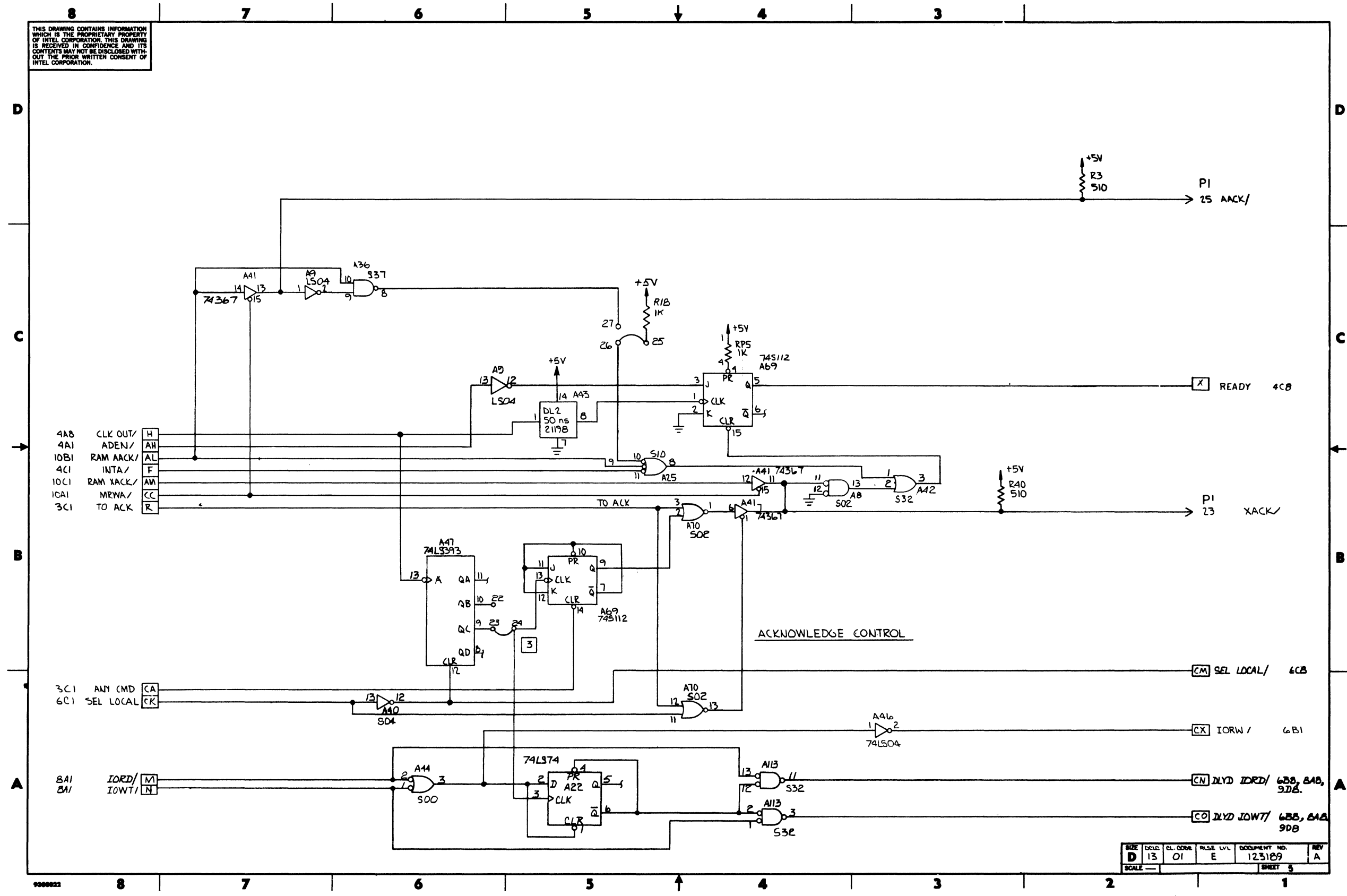
SIZE	DELC	CL CODE	RELEASE LVL	DOCUMENT NO.	REV
D	13	01	E	123189	A
SCALE					SHEET 3

THIS DRAWING CONTAINS INFORMATION WHICH IS THE PROPRIETARY PROPERTY OF INTEL CORPORATION. THIS DRAWING IS RECEIVED IN CONFIDENCE AND ITS CONTENTS MAY NOT BE DISCLOSED WITHOUT THE PRIOR WRITTEN CONSENT OF INTEL CORPORATION.



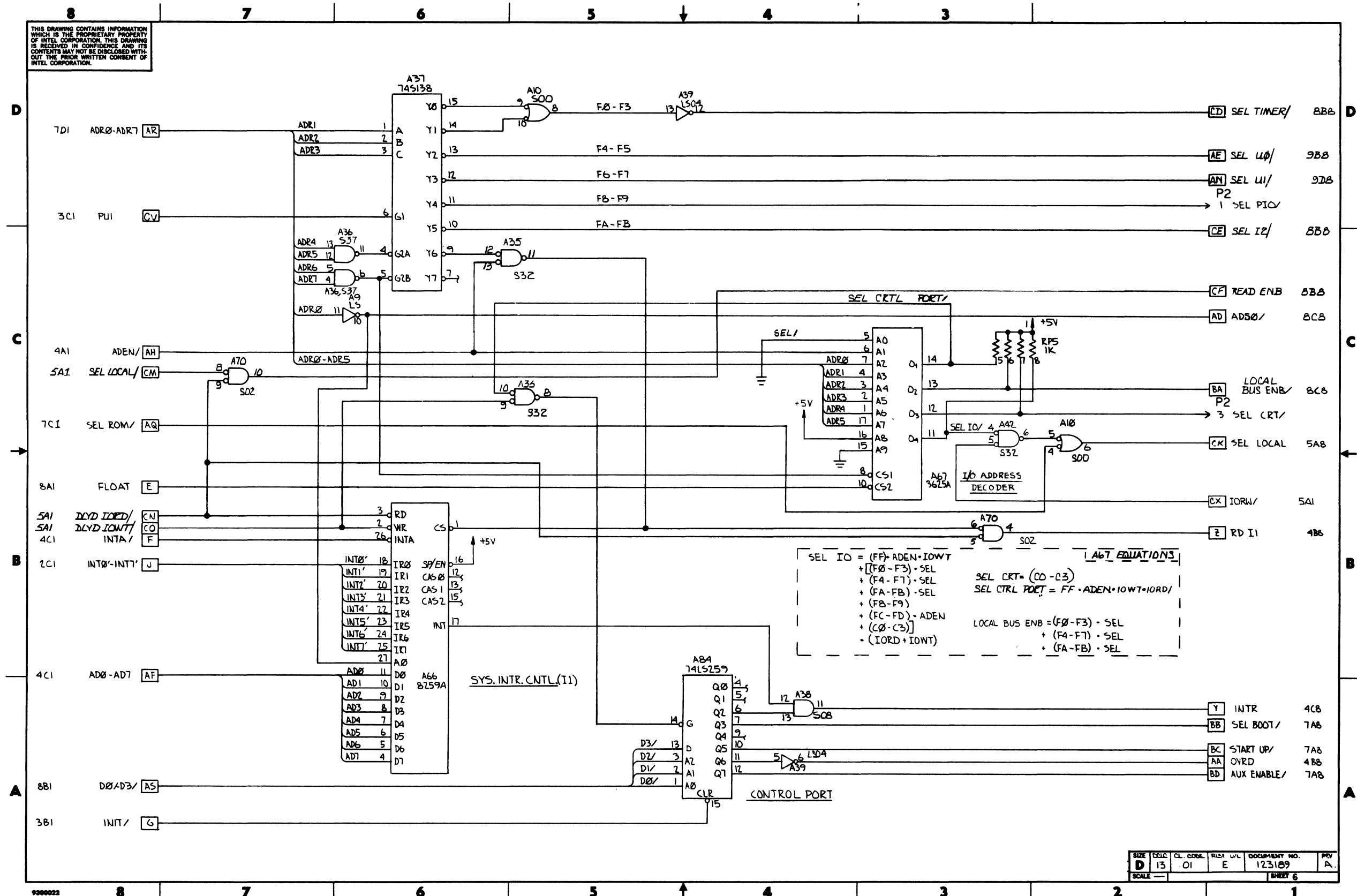
SIZE	D	DATE	13	REV	01	DESIGNER	E	DOCUMENT NO.	123189	REV	A
SCALE		SHEET 4									

THIS DRAWING CONTAINS INFORMATION WHICH IS THE PROPRIETARY PROPERTY OF INTEL CORPORATION. THIS DRAWING IS RECEIVED IN CONFIDENCE AND ITS CONTENTS MAY NOT BE DISCLOSED WITHOUT THE PRIOR WRITTEN CONSENT OF INTEL CORPORATION.



SIZE	DATE	CL. CORR.	REVISE LVL	DOCUMENT NO.	REV
D	13	01	E	123109	A
SCALE					SHEET 5

THIS DRAWING CONTAINS INFORMATION WHICH IS THE PROPRIETARY PROPERTY OF INTEL CORPORATION. THIS DRAWING IS RECEIVED IN CONFIDENCE AND ITS CONTENTS MAY NOT BE DISCLOSED WITHOUT THE PRIOR WRITTEN CONSENT OF INTEL CORPORATION.

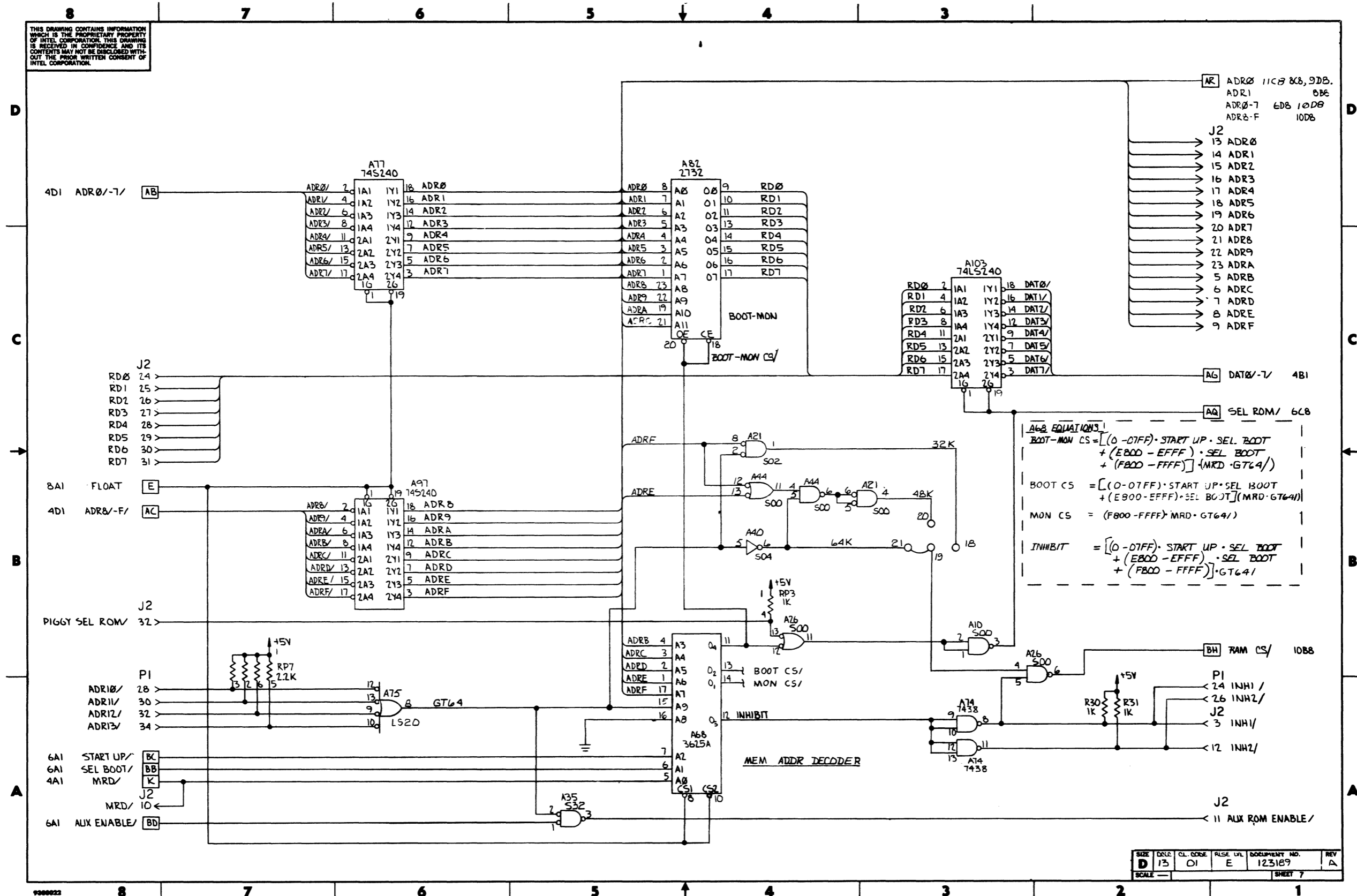


**A67 EQUATIONS**

$$\begin{aligned}
 \text{SEL IO} &= (\text{FF} - \text{ADEN} - \text{IOWT}) \\
 &+ [(\text{F0} - \text{F3}) \cdot \text{SEL}] \\
 &+ (\text{F4} - \text{F7}) \cdot \text{SEL} \\
 &+ (\text{FA} - \text{FB}) \cdot \text{SEL} \\
 &+ (\text{FB} - \text{F9}) \\
 &+ (\text{FC} - \text{FD}) \cdot \text{ADEN} \\
 &+ (\text{C0} - \text{C3}) \\
 &- (\text{IORD} + \text{IOWT})
 \end{aligned}$$

$$\begin{aligned}
 \text{SEL CRT} &= (\text{C0} - \text{C3}) \\
 \text{SEL CTRL PORT} &= \text{FF} \cdot \text{ADEN} + \text{IOWT} + \text{IORD} \\
 \text{LOCAL BUS ENB} &= (\text{F0} - \text{F3}) \cdot \text{SEL} \\
 &+ (\text{F4} - \text{F7}) \cdot \text{SEL} \\
 &+ (\text{FA} - \text{FB}) \cdot \text{SEL}
 \end{aligned}$$

THIS DRAWING CONTAINS INFORMATION WHICH IS THE PROPRIETARY PROPERTY OF INTEL CORPORATION. THIS DRAWING IS RECEIVED IN CONFIDENCE AND ITS CONTENTS MAY NOT BE DISCLOSED WITHOUT THE PRIOR WRITTEN CONSENT OF INTEL CORPORATION.

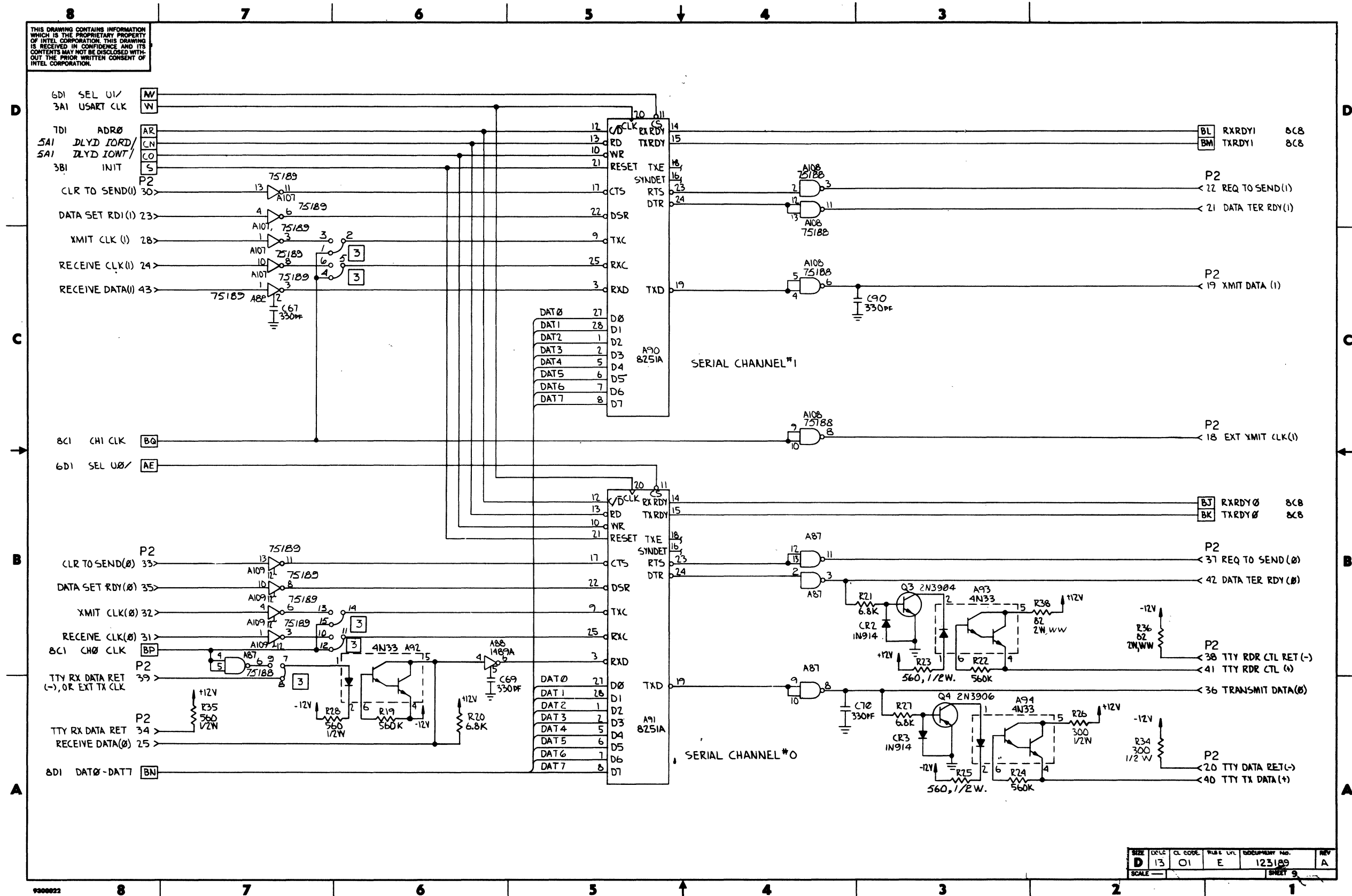


SIZE	DATE	CL. CODE	FILE V/L	DEVELOPMENT NO.	REV
D	13	01	E	123189	A
SCALE	SHEET 7				



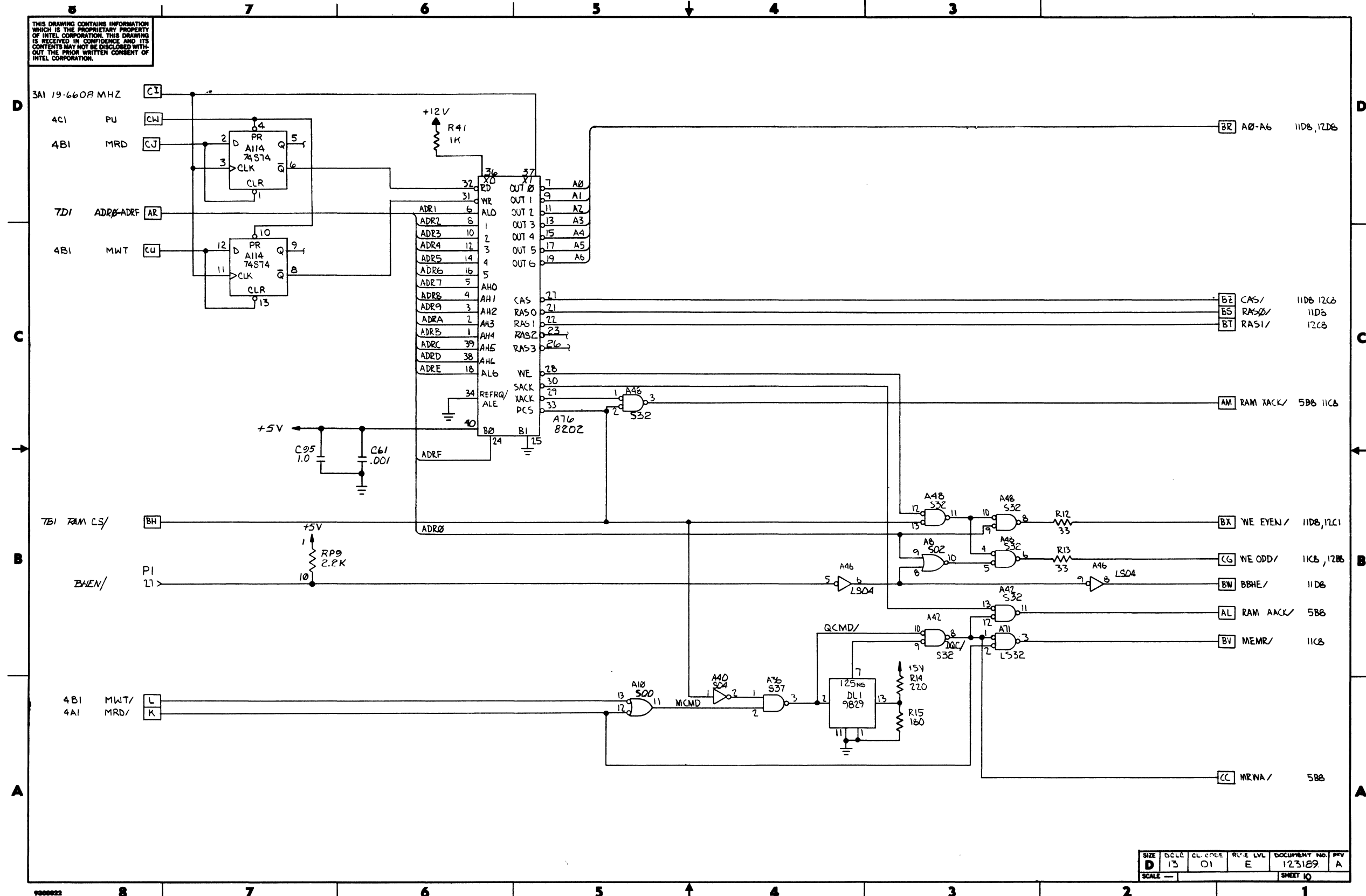


THIS DRAWING CONTAINS INFORMATION WHICH IS THE PROPRIETARY PROPERTY OF INTEL CORPORATION. THIS DRAWING IS RECEIVED IN CONFIDENCE AND ITS CONTENTS MAY NOT BE DISCLOSED WITHOUT THE PRIOR WRITTEN CONSENT OF INTEL CORPORATION.



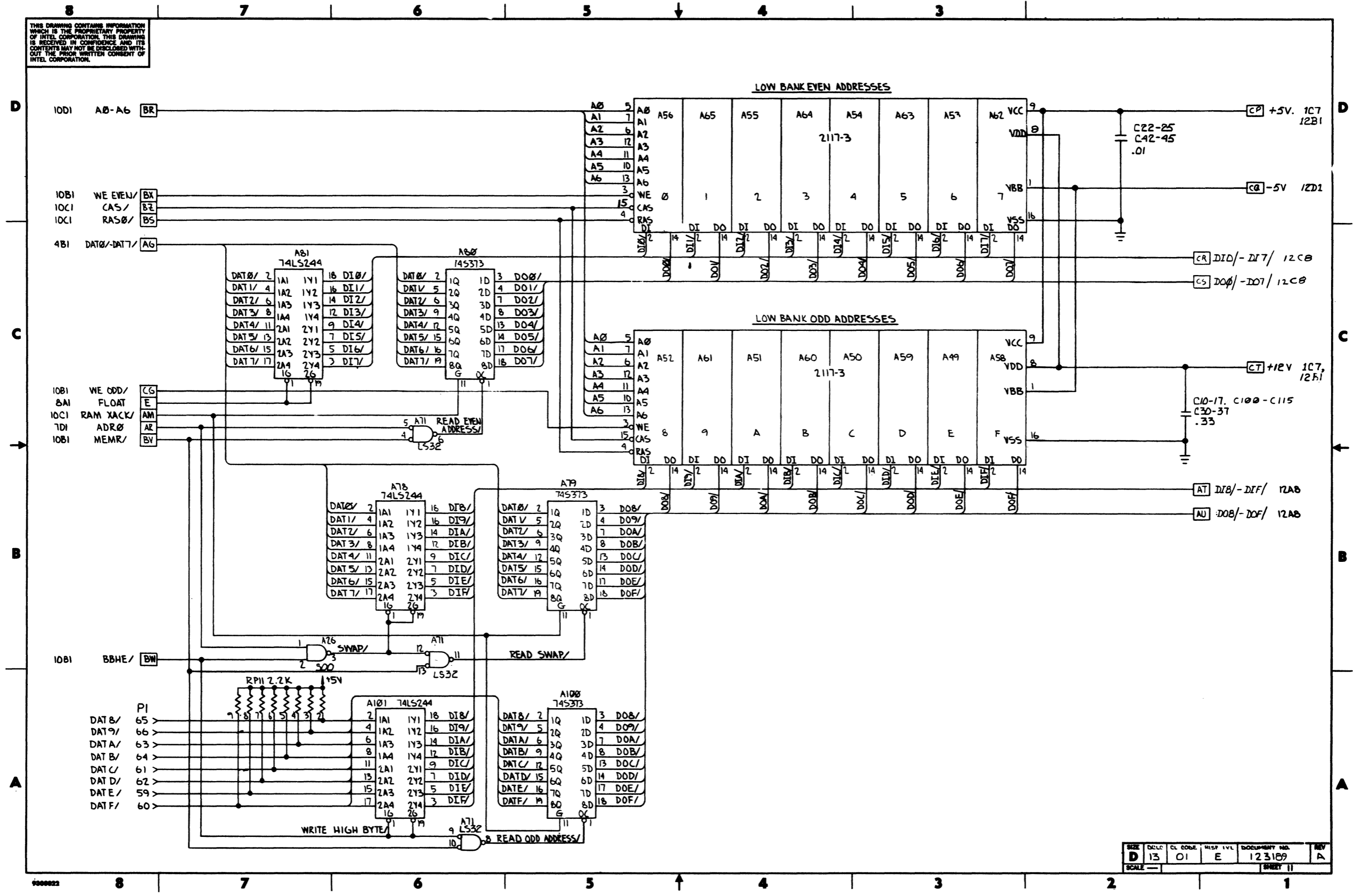
SIZE	DATE	CL. CODE	PLS. & LVL.	DOCUMENT No.	REV.
D	13	01	E	123189	A
SCALE					SHEET 9

THIS DRAWING CONTAINS INFORMATION WHICH IS THE PROPRIETARY PROPERTY OF INTEL CORPORATION. THIS DRAWING IS RECEIVED IN CONFIDENCE AND ITS CONTENTS MAY NOT BE DISCLOSED WITHOUT THE PRIOR WRITTEN CONSENT OF INTEL CORPORATION.



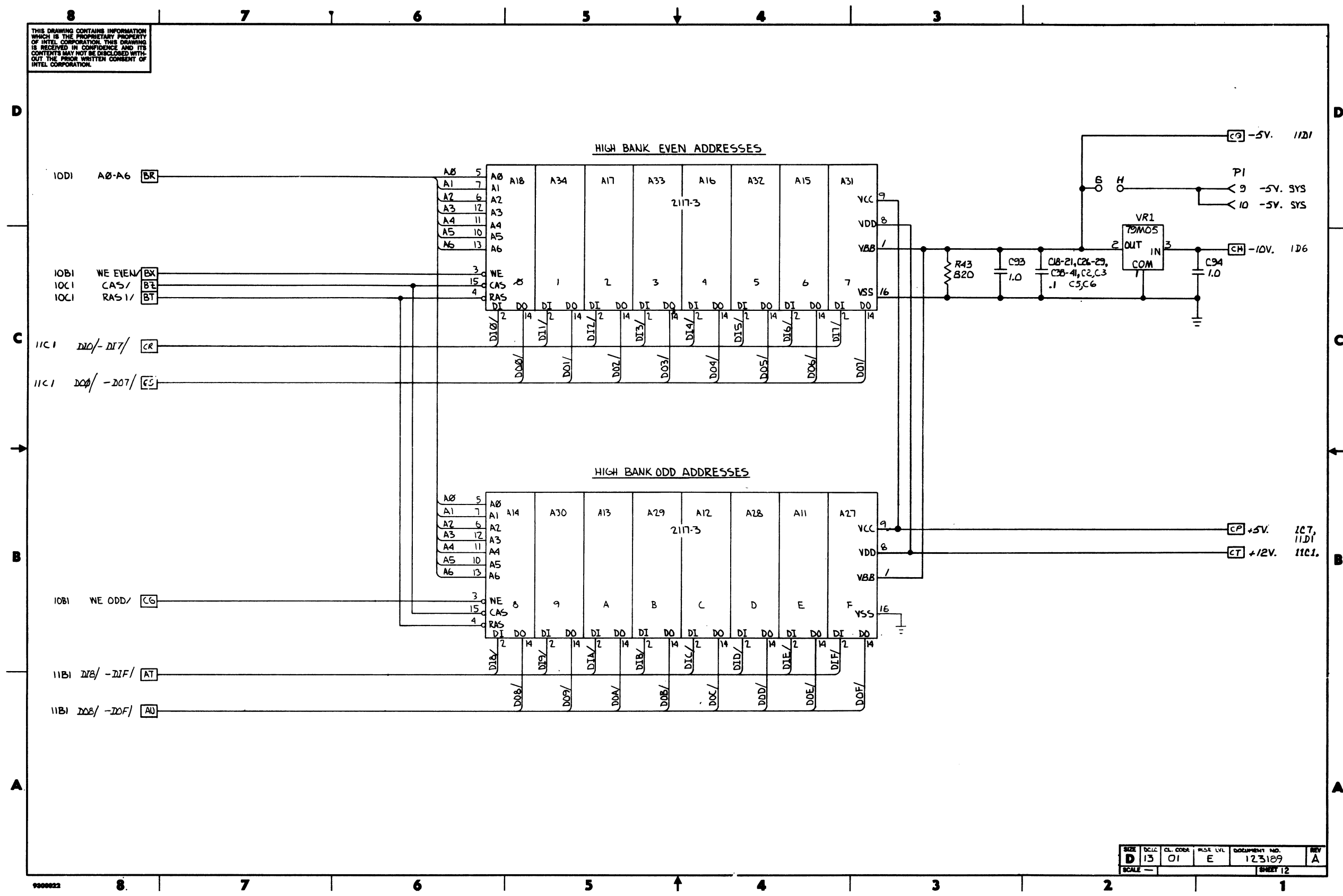
SIZE	D	CL. CODE	01	REV. LVL.	E	DOCUMENT NO.	123189	REV.	A
SCALE	10								

THIS DRAWING CONTAINS INFORMATION WHICH IS THE PROPRIETARY PROPERTY OF INTEL CORPORATION. THIS DRAWING IS RECEIVED IN CONFIDENCE AND ITS CONTENTS MAY NOT BE DISCLOSED WITHOUT THE PRIOR WRITTEN CONSENT OF INTEL CORPORATION.



SIZE	D	DCLC	13	CL CODE	01	WSP LVL	E	DOCUMENT NO.	123109	REV	A
SCALE	1:1										

THIS DRAWING CONTAINS INFORMATION WHICH IS THE PROPRIETARY PROPERTY OF INTEL CORPORATION. THIS DRAWING IS RECEIVED IN CONFIDENCE AND ITS CONTENTS MAY NOT BE DISCLOSED WITHOUT THE PRIOR WRITTEN CONSENT OF INTEL CORPORATION.



SIZE	D	CL. CODE	01	REV. LVL	E	DOCUMENT NO.	123189	REV	A
SCALE	SHEET 12								